



US00D747783S

(12) **United States Design Patent**
Birke et al.

(10) **Patent No.:** **US D747,783 S**
(45) **Date of Patent:** **** Jan. 19, 2016**

(54) **VALVE SYSTEM**

- (71) Applicant: **REXROTH PNEUMATICS GMBH**,
Laatzen (DE)
- (72) Inventors: **Benno Birke**, Chemnitz (DE);
Wolf-Dietrich Gerecke,
Markgroeningen (DE); **Heinz Theo**
Paulus, Xanten (DE); **Ludovic Marais**,
Ayze (FR)
- (73) Assignee: **REXROTH PNEUMATICS GMBH**,
Laatzen (DE)
- (**) Term: **14 Years**
- (21) Appl. No.: **29/497,727**
- (22) Filed: **Jul. 28, 2014**

Related U.S. Application Data

- (62) Division of application No. 29/435,164, filed on Oct. 19, 2012, now Pat. No. Des. 710,974.
- (51) **LOC (10) Cl.** **23-01**
- (52) **U.S. Cl.**
USPC **D23/233**
- (58) **Field of Classification Search**
USPC D23/233–237, 244–249; D15/5, 7, 199;
137/554, 557, 560, 882, 884, 269, 271,
137/343, 625.64; 251/12, 129.04, 130, 219,
251/331, 596.16, 597.13, 30.01; 4/304
CPC F16K 31/0675; F16K 31/1266; F16K
31/007; F16K 31/0679; F16K 31/12; F16K
31/20; F16K 31/404; F16K 2099/0084
See application file for complete search history.

(56) **References Cited**

U.S. PATENT DOCUMENTS

D410,521	S	*	6/1999	Hayashi et al.	D23/233
D415,256	S	*	10/1999	Hayashi et al.	D23/233
D416,309	S	*	11/1999	Hayashi et al.	D23/233
D417,717	S	*	12/1999	Hayashi et al.	D23/233
D420,100	S	*	2/2000	Sato et al.	D23/233
D597,174	S	*	7/2009	Miyazoe	D23/233
D616,964	S	*	6/2010	Miyazoe et al.	D23/233
D623,269	S	*	9/2010	Fukano et al.	D23/233
8,127,783	B2	*	3/2012	Balarabe et al.	137/1
D665,874	S	*	8/2012	Senba	D23/233
8,528,581	B2	*	9/2013	Smith et al.	137/1
D693,903	S	*	11/2013	Tamura et al.	D23/233
D710,974	S	*	8/2014	Birke et al.	D23/233
2007/0278436	A1	*	12/2007	Phillips et al.	251/129.03
2009/0212247	A1	*	8/2009	Inaba et al.	251/129.15
2010/0148101	A1	*	6/2010	Narita et al.	251/129.01
2012/0025116	A1	*	2/2012	Murakami et al.	251/129.01

* cited by examiner

Primary Examiner — Cynthia Ramirez

(74) *Attorney, Agent, or Firm* — Drinker Biddle & Reath LLP

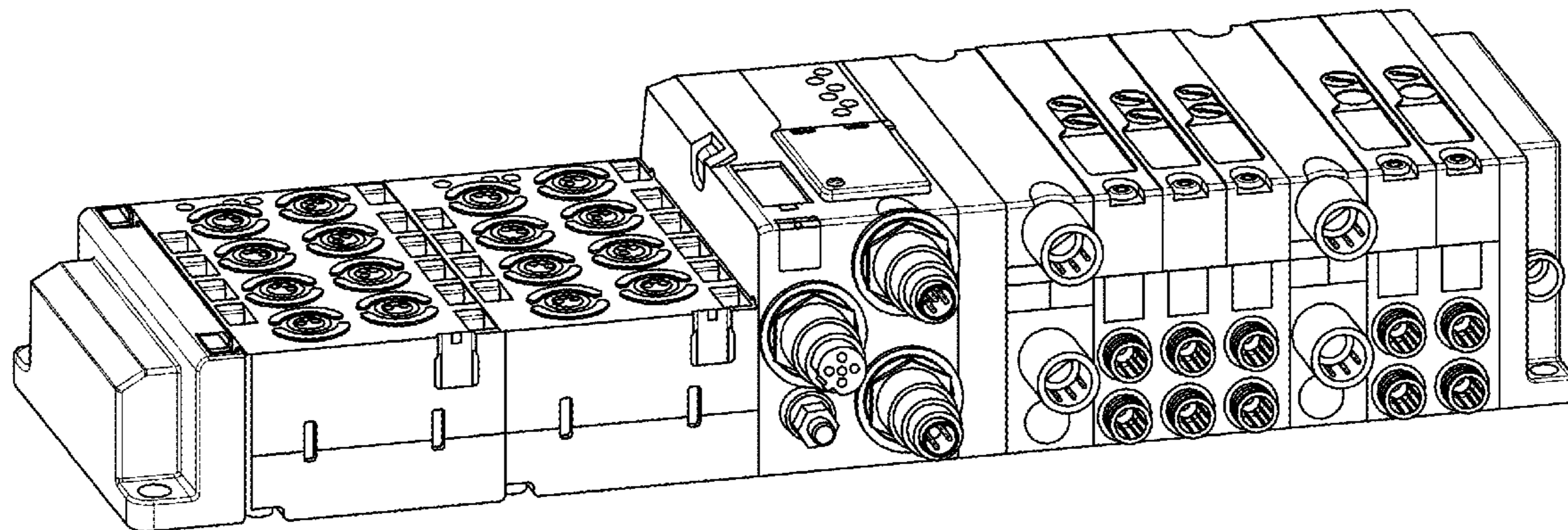
(57) **CLAIM**

The ornamental design for a valve system, as shown and described.

DESCRIPTION

FIG. 1 is a perspective view of a valve system showing our new design;
 FIG. 2 is a left side elevational view thereof;
 FIG. 3 is a right side elevational view thereof;
 FIG. 4 is a front elevational view thereof;
 FIG. 5 is a rear elevational view thereof; and,
 FIG. 6 is a top plan view thereof.
 The broken lines illustrated in the drawing views are included to show unclaimed environment only and form no part of the claimed design.

1 Claim, 5 Drawing Sheets



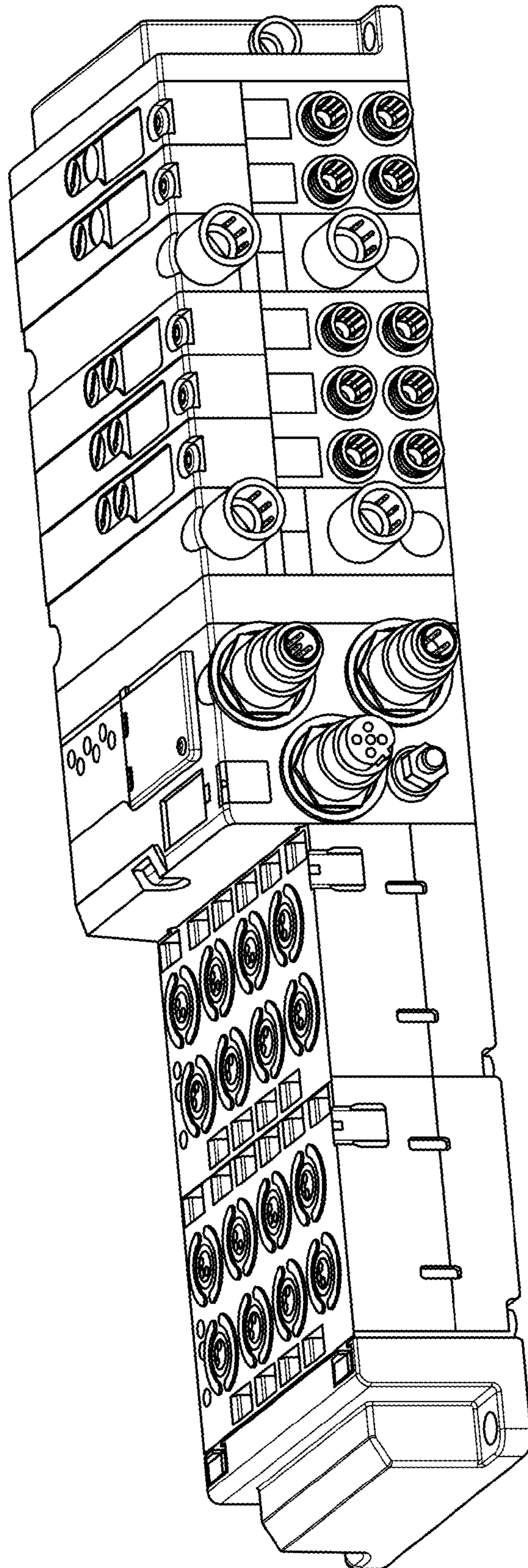


FIG. 1

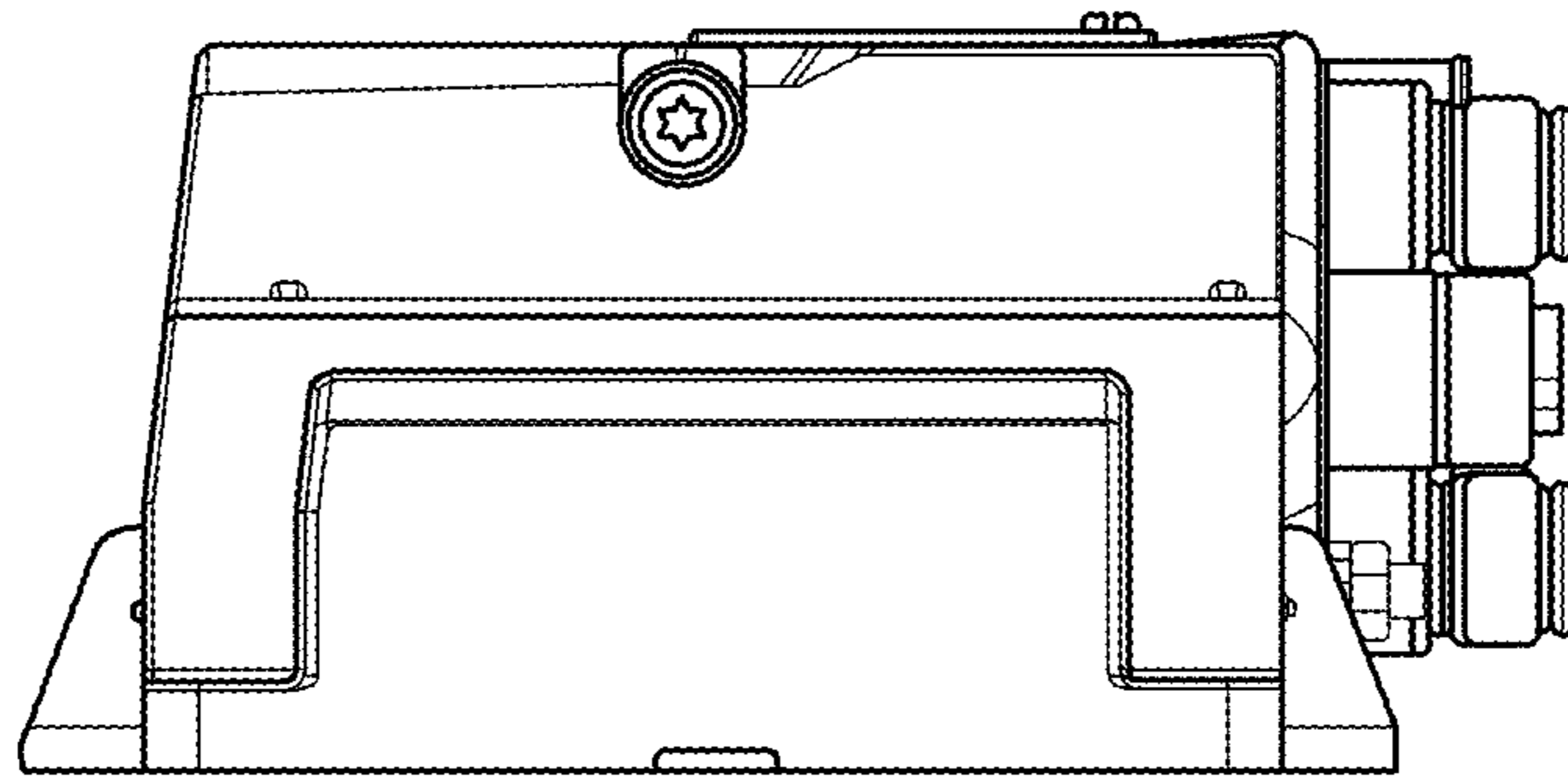


FIG. 2

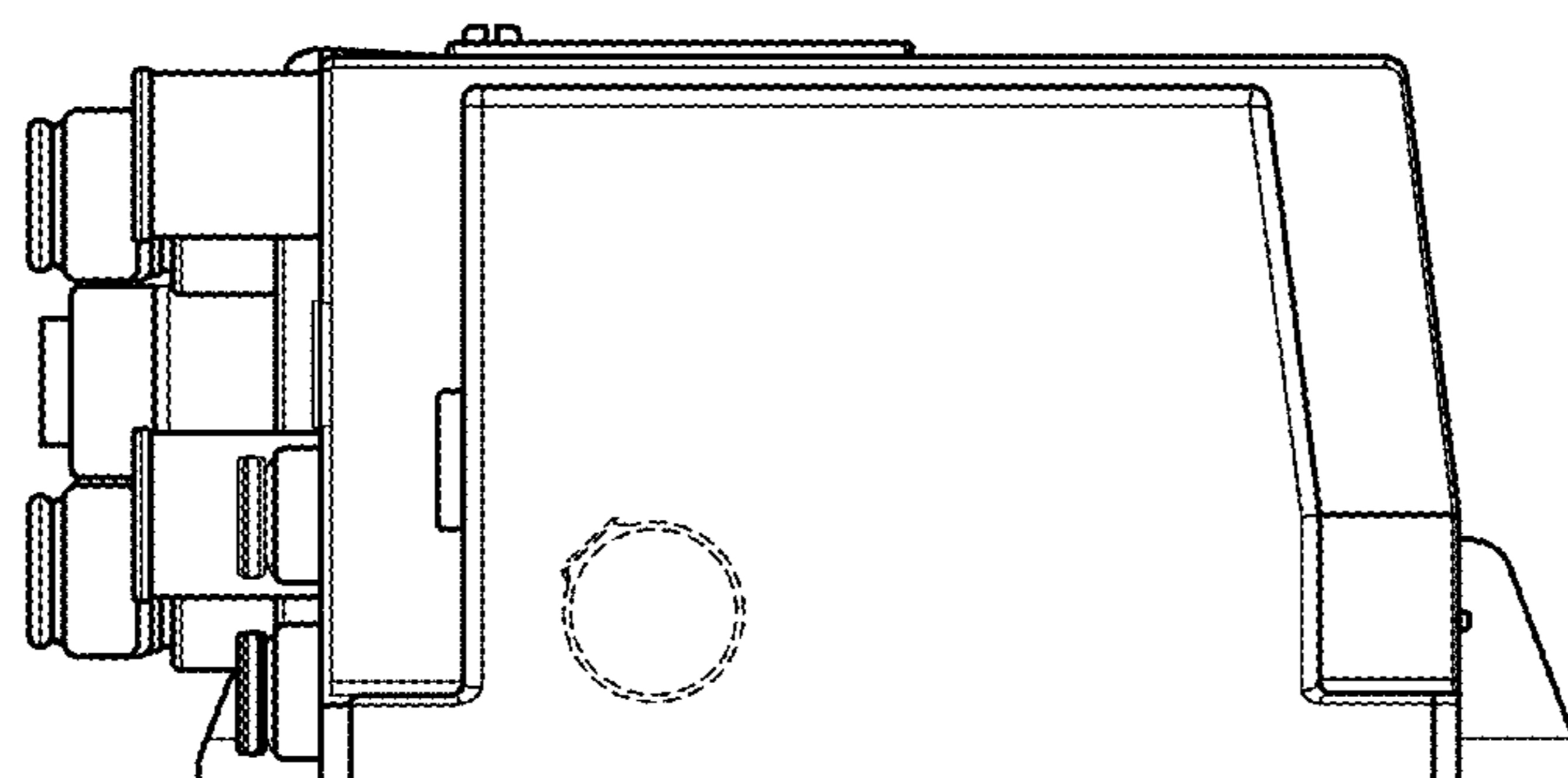


FIG. 3

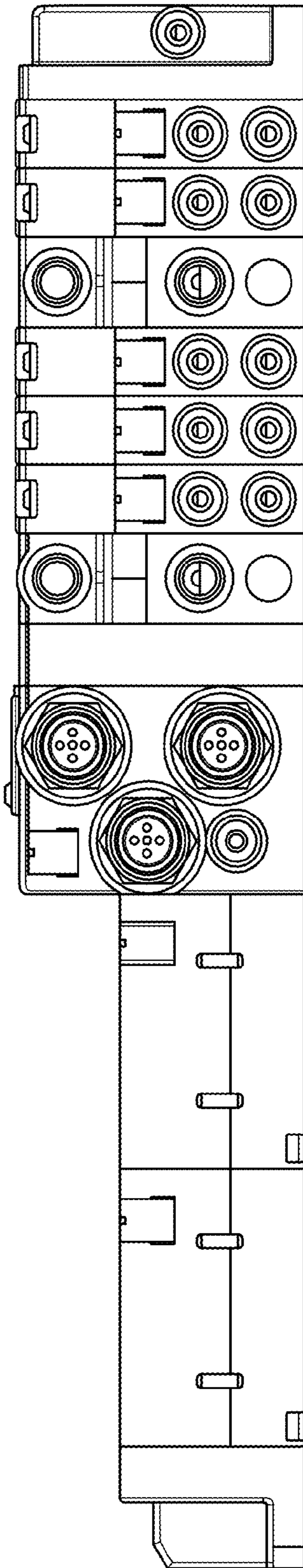


FIG. 4

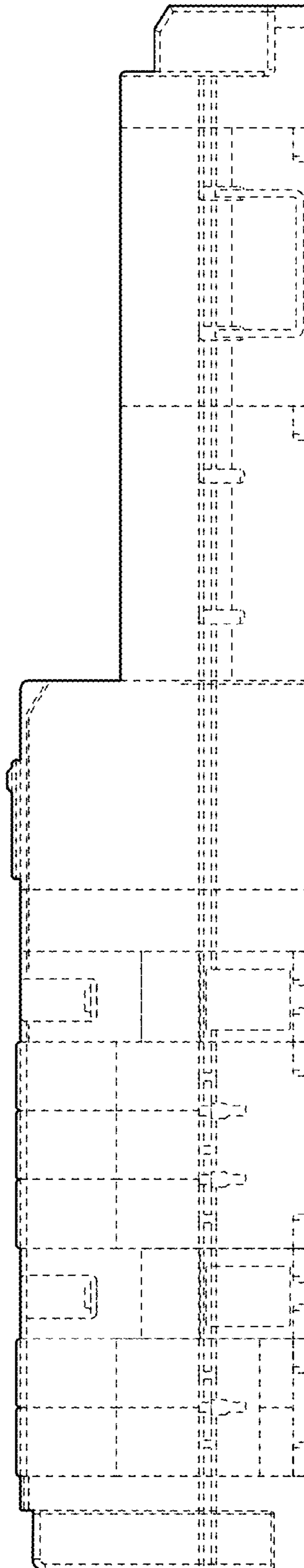


FIG. 5

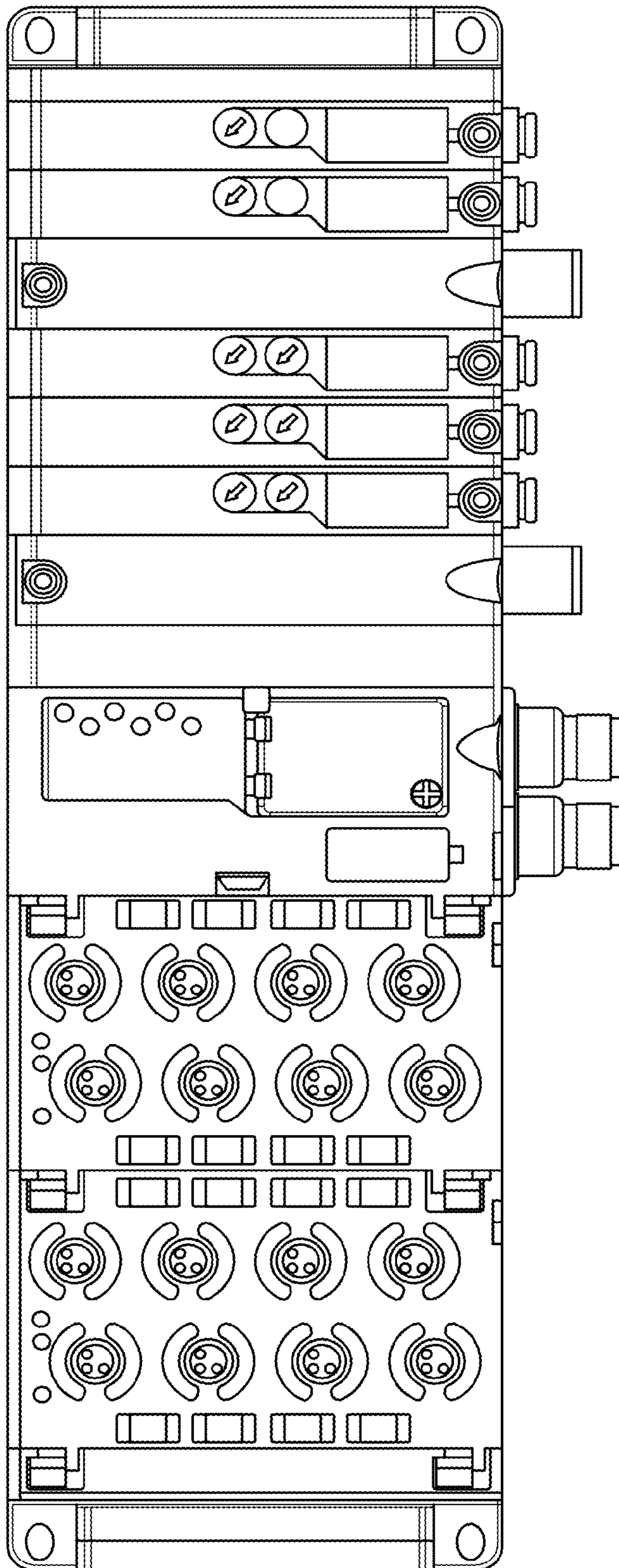


FIG. 6