

US00D747781S

(12) **United States Design Patent**
Alculumbre

(10) **Patent No.:** **US D747,781 S**

(45) **Date of Patent:** **** Jan. 19, 2016**

(54) **PROJECTILE**

(71) Applicant: **Michael Alculumbre**, London (GB)

(72) Inventor: **Michael Alculumbre**, London (GB)

(**) Term: **14 Years**

(21) Appl. No.: **29/496,144**

(22) Filed: **Jul. 9, 2014**

(30) **Foreign Application Priority Data**

Jun. 30, 2014 (EM) 002493387

(51) **LOC (10) Cl.** **22-03**

(52) **U.S. Cl.**
USPC **D22/115**

(58) **Field of Classification Search**
USPC D22/115-116; 102/346, 430, 439, 448,
102/458, 460, 464-468, 471, 501, 506, 508,
102/514, 517, 521; 86/10, 19.5, 23, 25,
86/46-48, 54-55; 473/569
CPC F42B 5/02; F42B 5/26; F42B 5/28;
F42B 5/30; F42B 5/32; F42B 5/34; F42B
5/36; F42B 5/38; F42B 8/02; F42B 8/04;
F42B 8/06; F42B 30/02
See application file for complete search history.

(56) **References Cited**

U.S. PATENT DOCUMENTS

- 4,752,052 A * 6/1988 Galvin F42B 10/16
244/3.27
- 6,978,967 B1 * 12/2005 Scheper F42B 10/16
102/385
- D638,090 S * 5/2011 Hanchett D22/115
- 2010/0101445 A1 * 4/2010 Garg F41A 9/65
102/502
- 2010/0275806 A1 * 11/2010 Gavin F41H 13/0031
102/502
- 2012/0060715 A1 * 3/2012 Scarr F42B 5/045
102/439
- 2012/0210900 A1 * 8/2012 Kramer F42B 12/40
102/370

* cited by examiner

Primary Examiner — Michael A Pratt

(74) *Attorney, Agent, or Firm* — Howard & Howard
Attorneys PLLC

(57) **CLAIM**

The ornamental design for a projectile, as shown and described herein.

DESCRIPTION

FIG. 1 is a perspective view of a first embodiment of the projectile;
 FIG. 2 is a right side elevational view of the projectile of FIG. 1;
 FIG. 3 is a left side elevational view of the projectile of FIG. 1;
 FIG. 4 is a front elevational view of the projectile of FIG. 1;
 FIG. 5 is a rear elevational view of the projectile of FIG. 1;
 FIG. 6 is a top elevational view of the projectile of FIG. 1;
 FIG. 7 is a bottom elevational view of the projectile of FIG. 1;
 FIG. 8 is a perspective view of a second embodiment of the projectile;
 FIG. 9 is a right side elevational view of the projectile of FIG. 8;
 FIG. 10 is a left side elevational view of the projectile of FIG. 8;
 FIG. 11 is a front elevational view of the projectile of FIG. 8;
 FIG. 12 is a rear elevational view of the projectile of FIG. 8;
 FIG. 13 is a top elevational view of the projectile of FIG. 8;
 and,
 FIG. 14 is a bottom elevational view of the projectile of FIG. 8.

Surface markings and shading are provided for clarity of the shape of the design but do not indicate the use of any specific type of surface material and form no part of the claimed design.

1 Claim, 14 Drawing Sheets

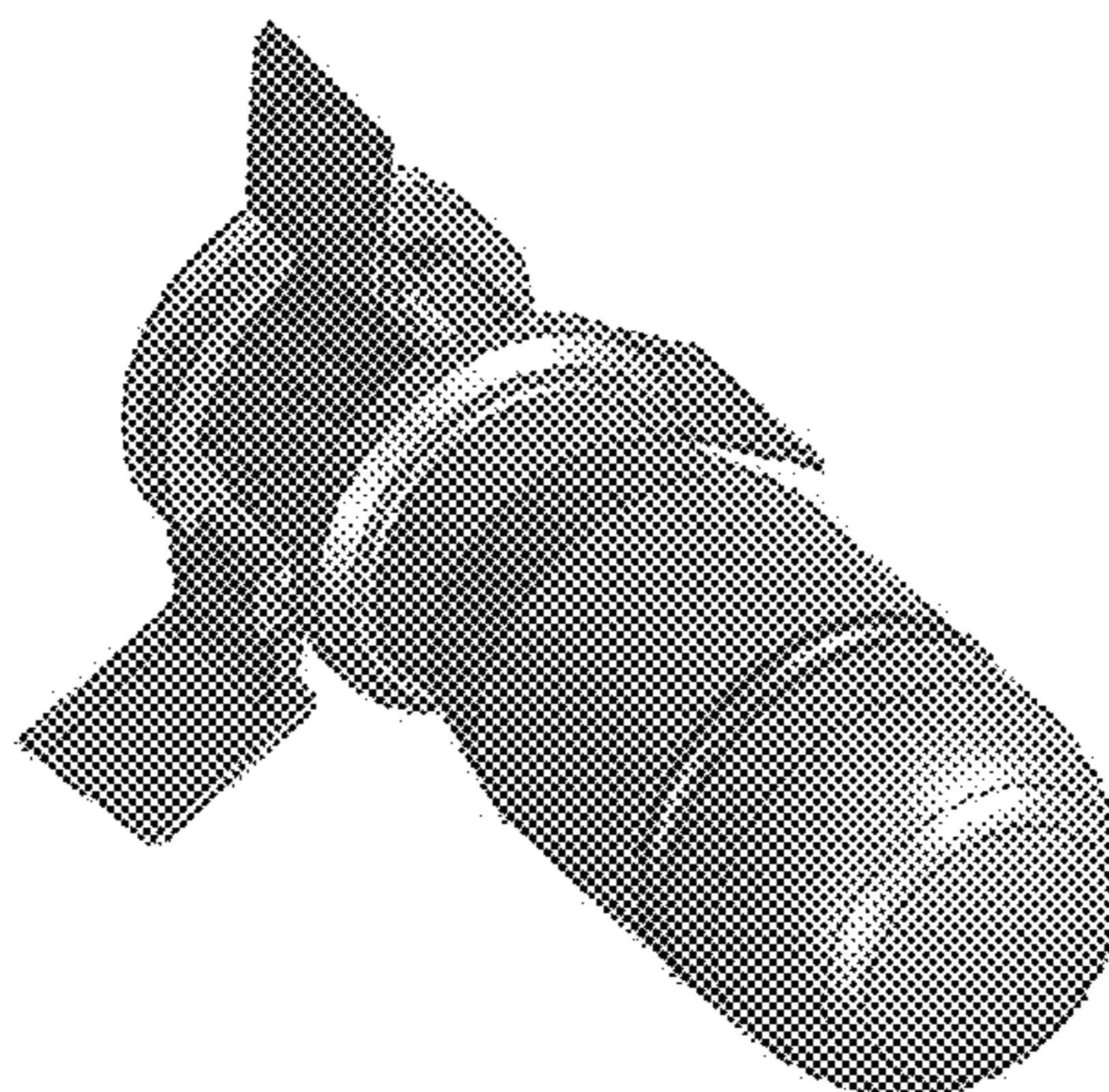


Figure 1

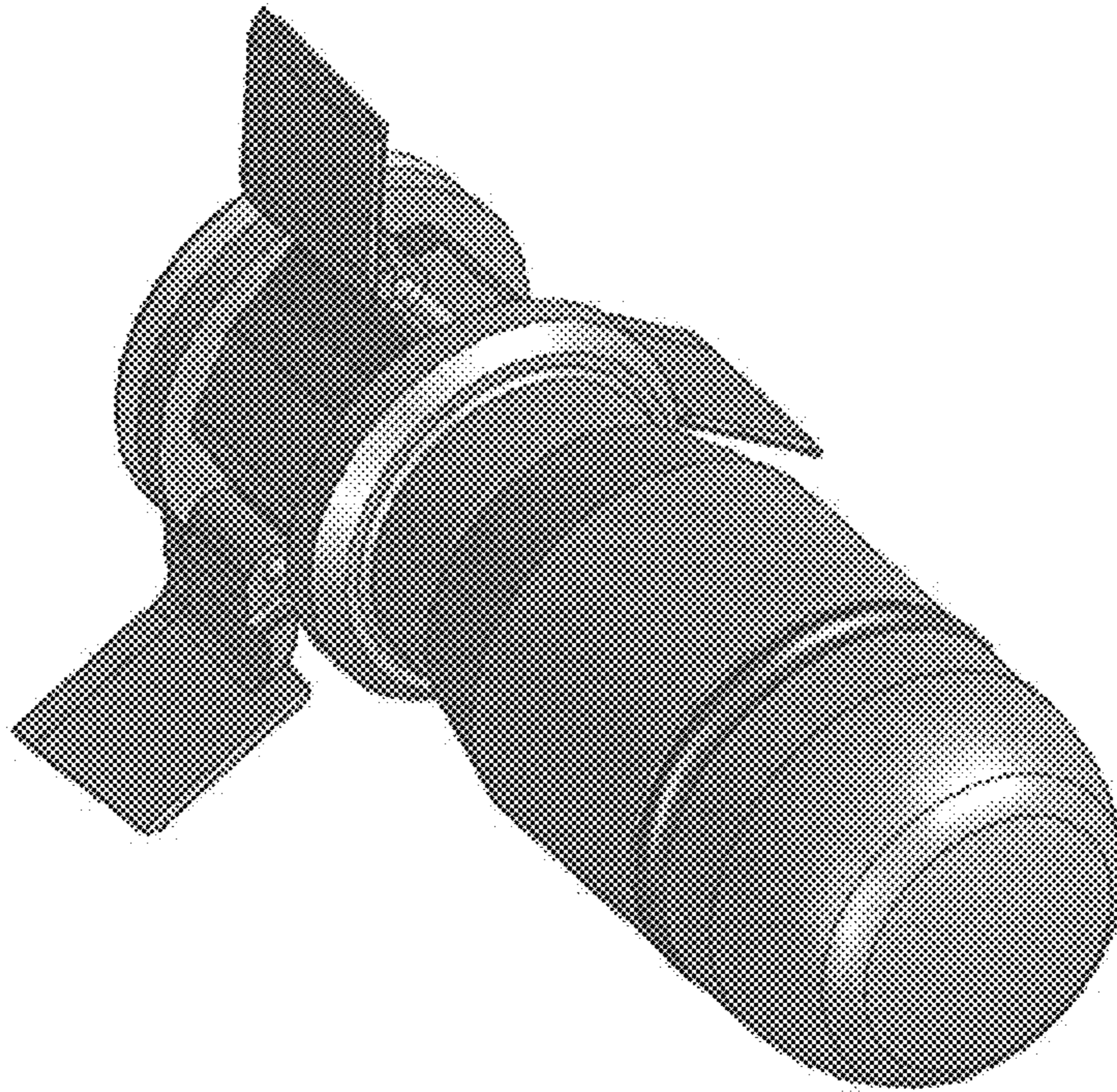


Figure 2

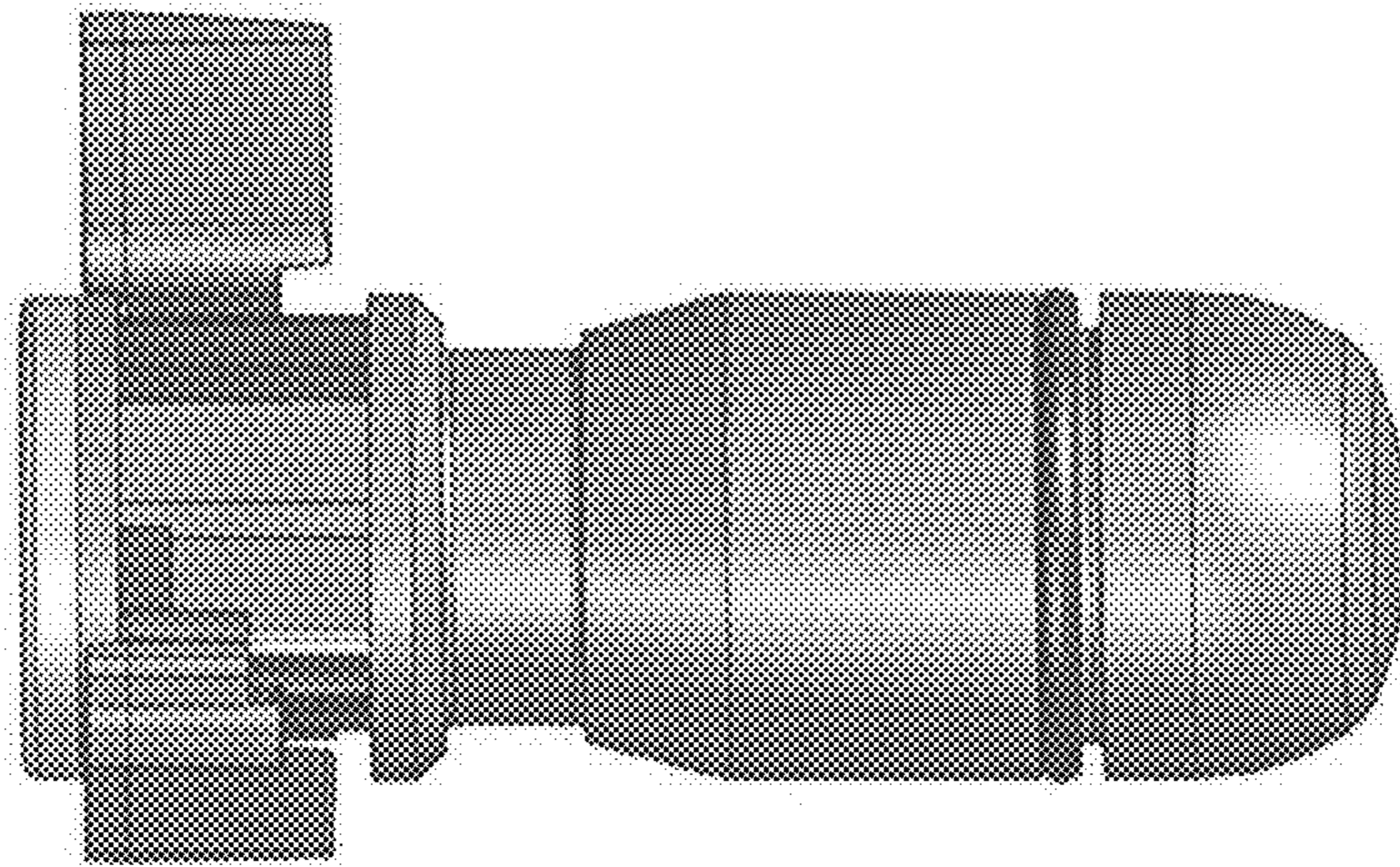


Figure 3

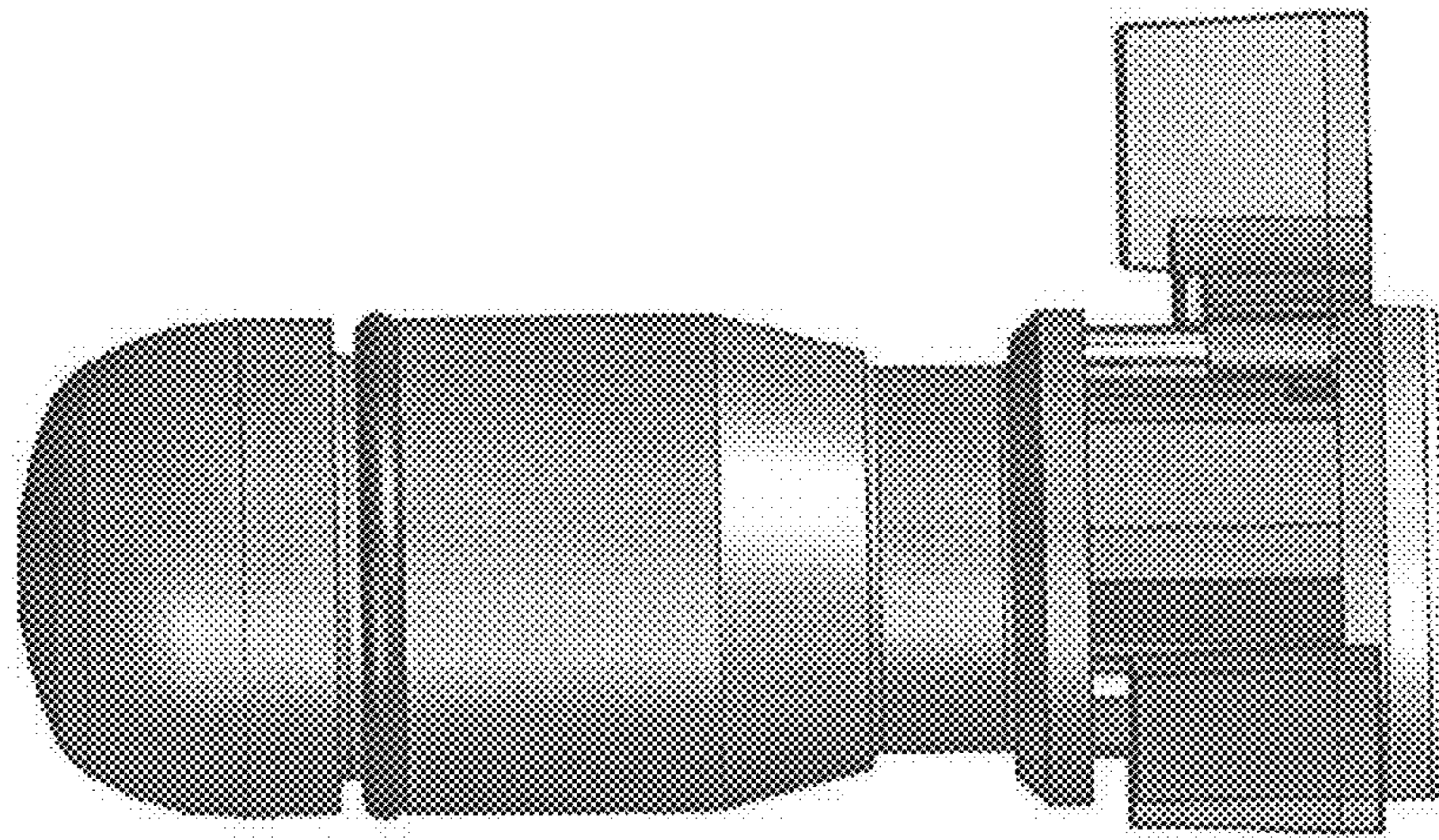


Figure 4

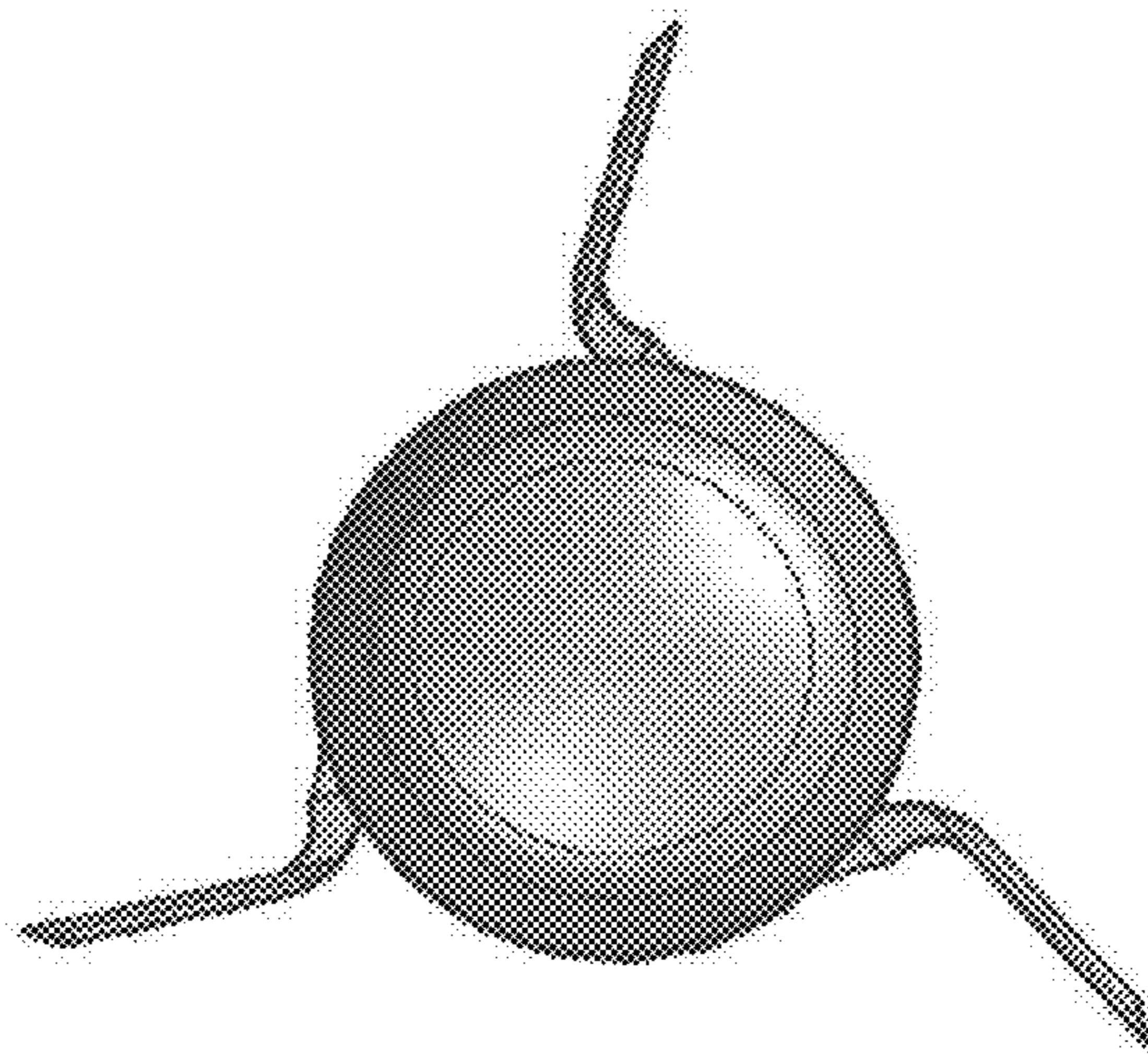


Figure 5

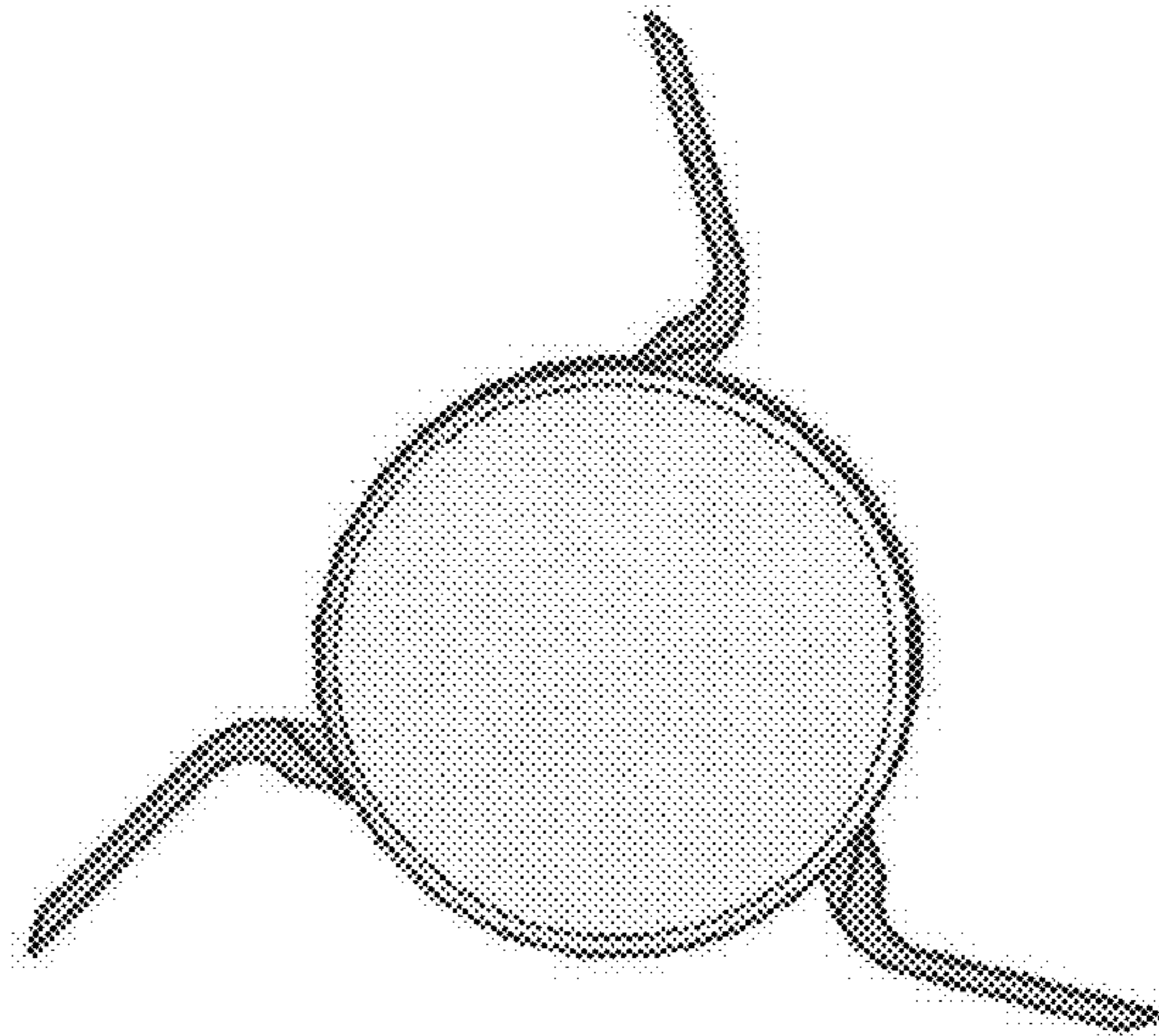


Figure 6

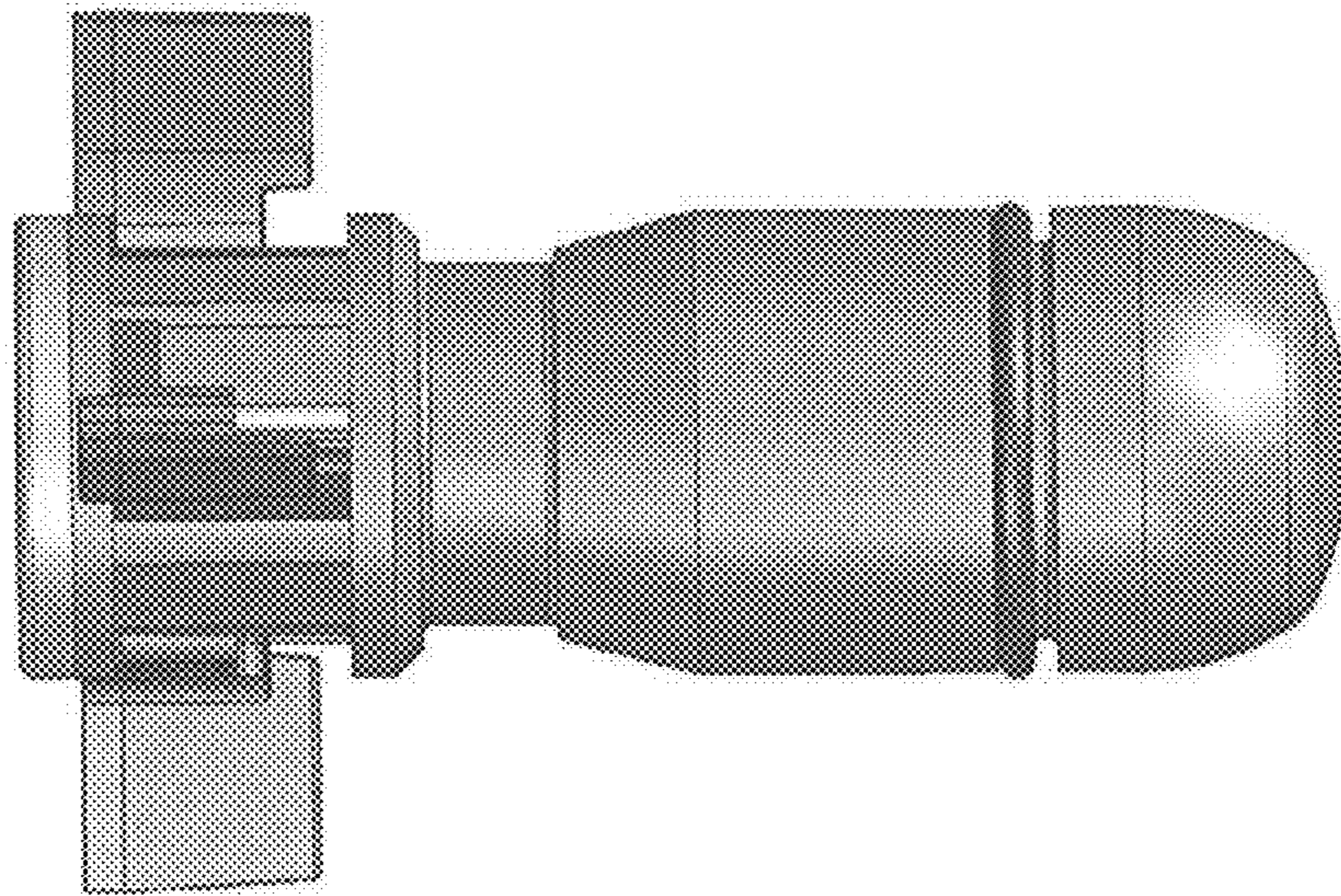


Figure 7

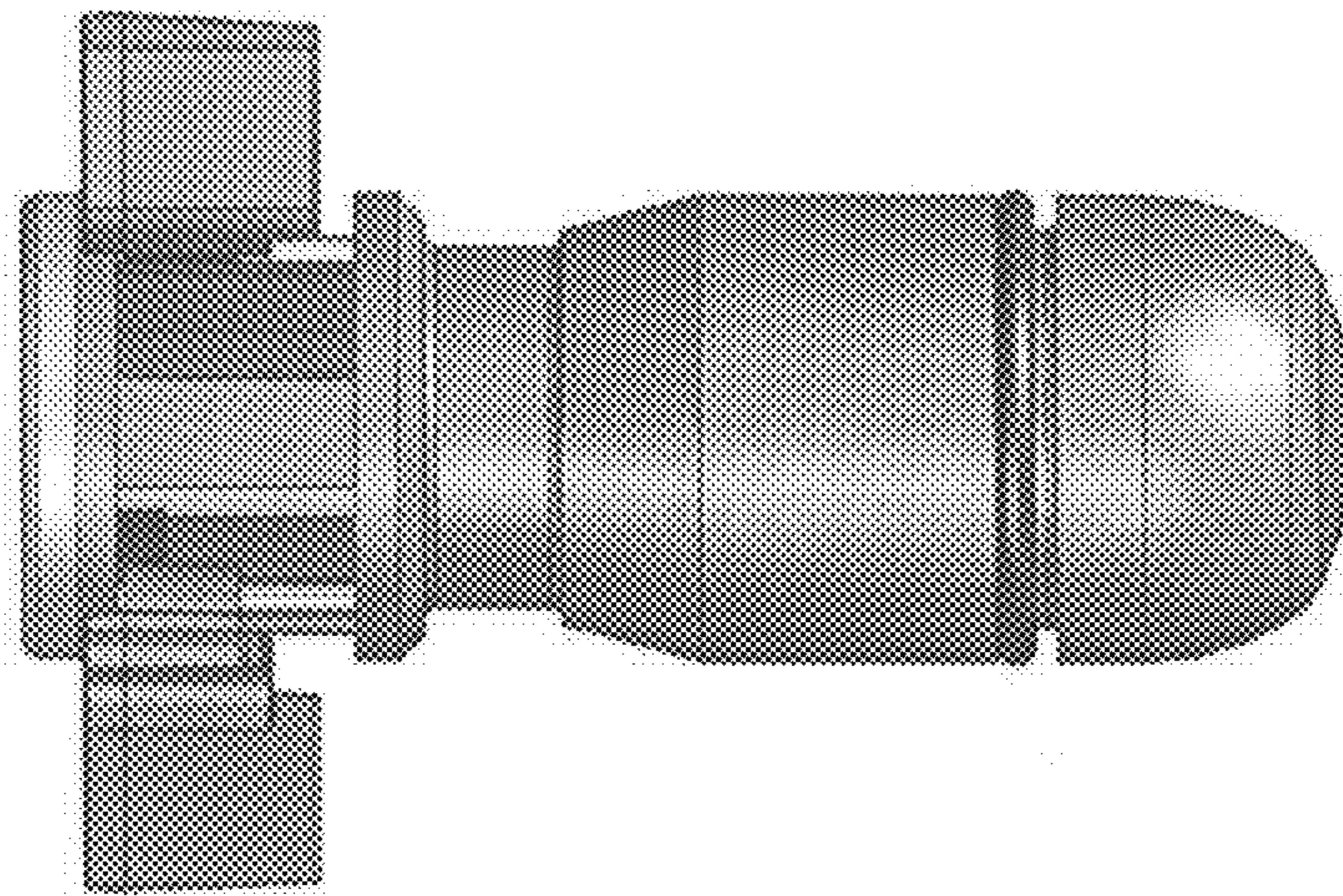


Figure 8

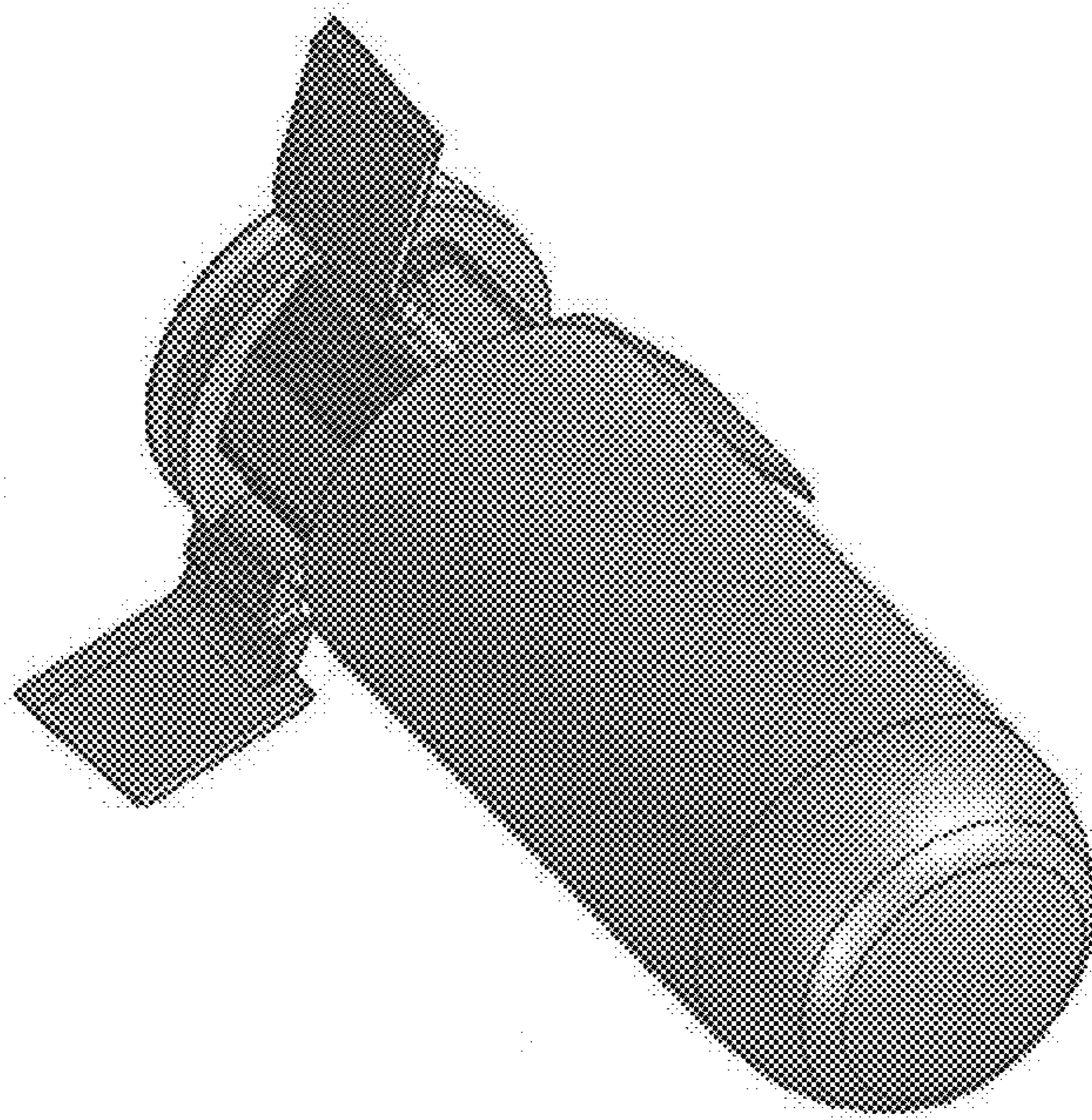


Figure 9

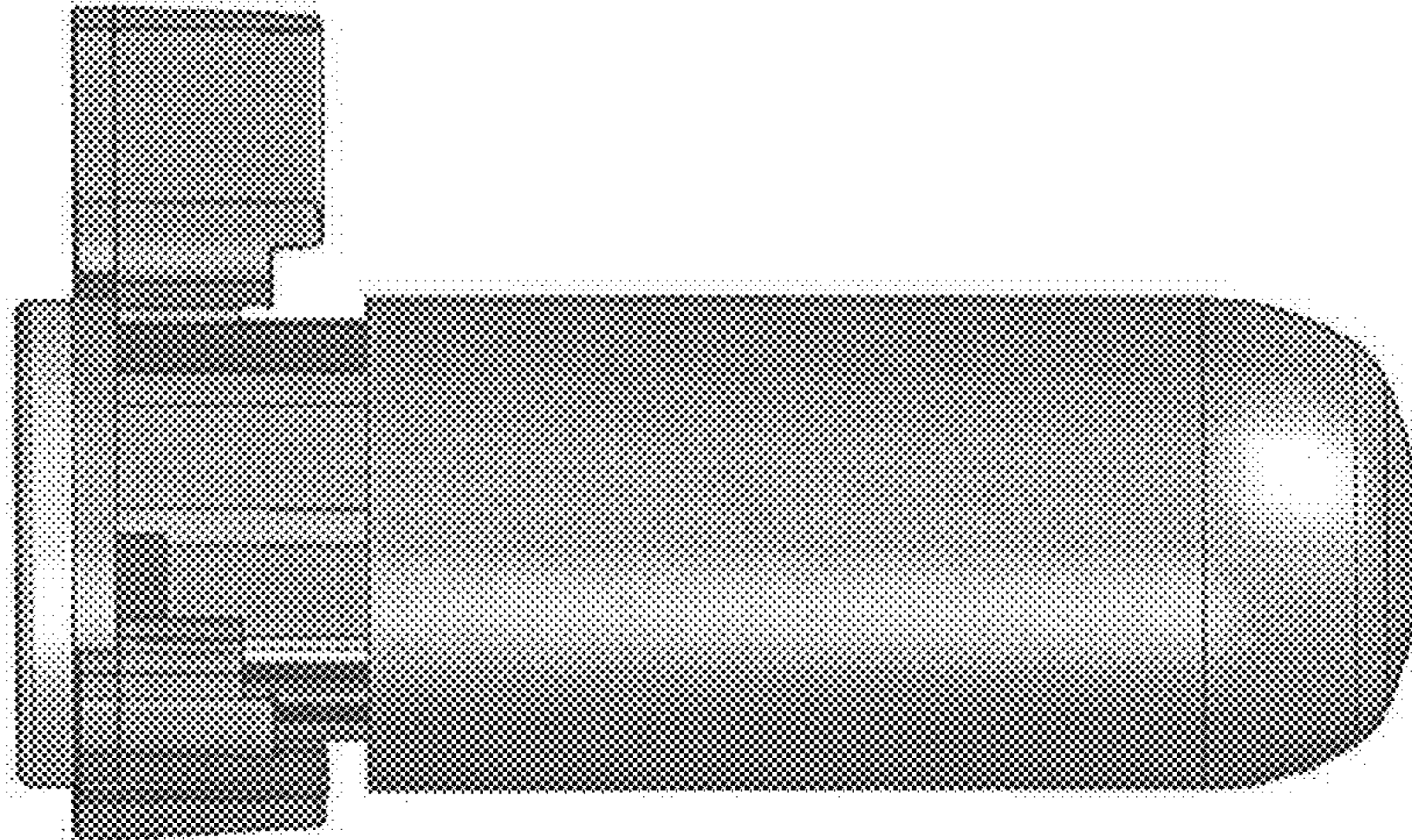


Figure 10

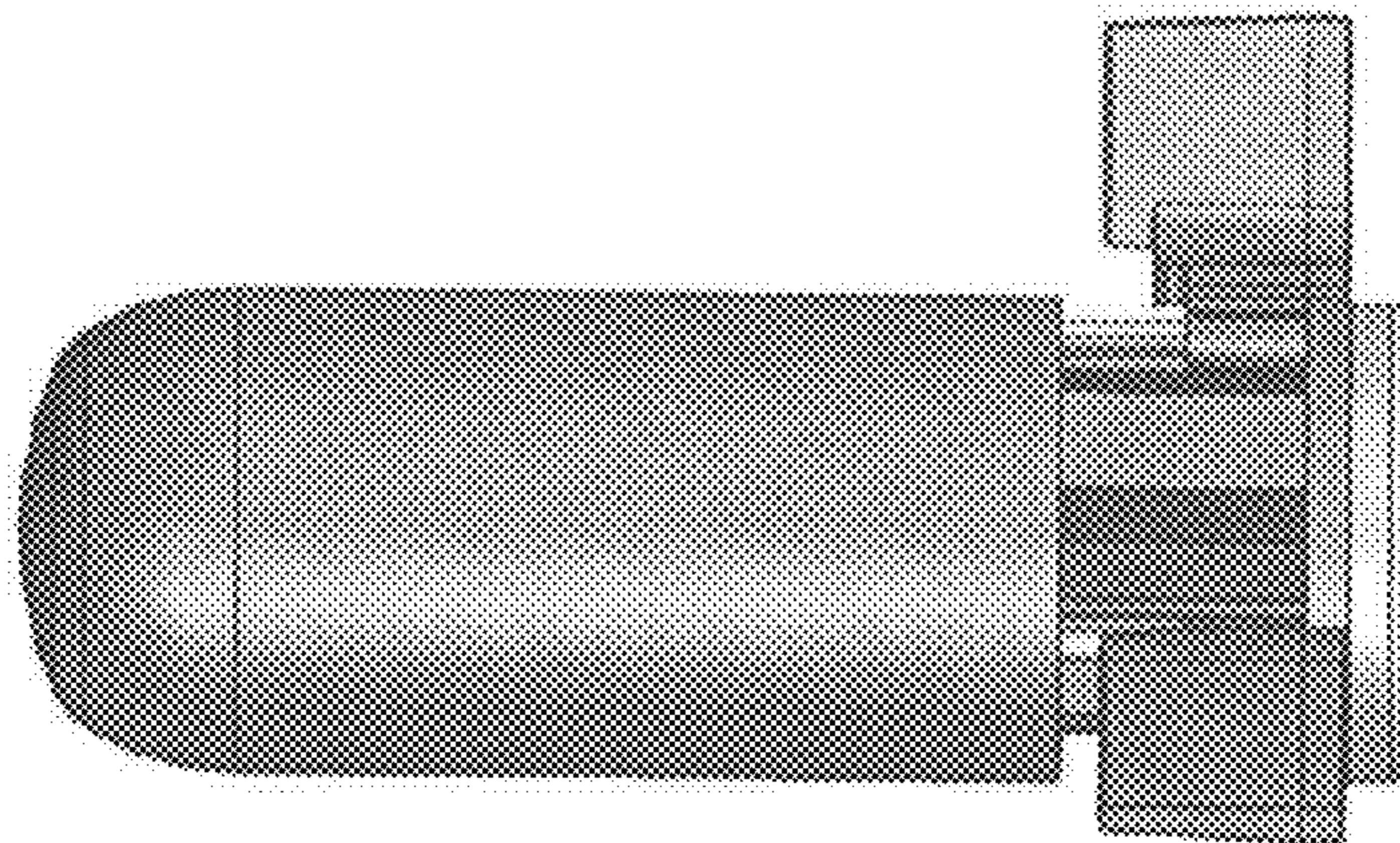


Figure 11

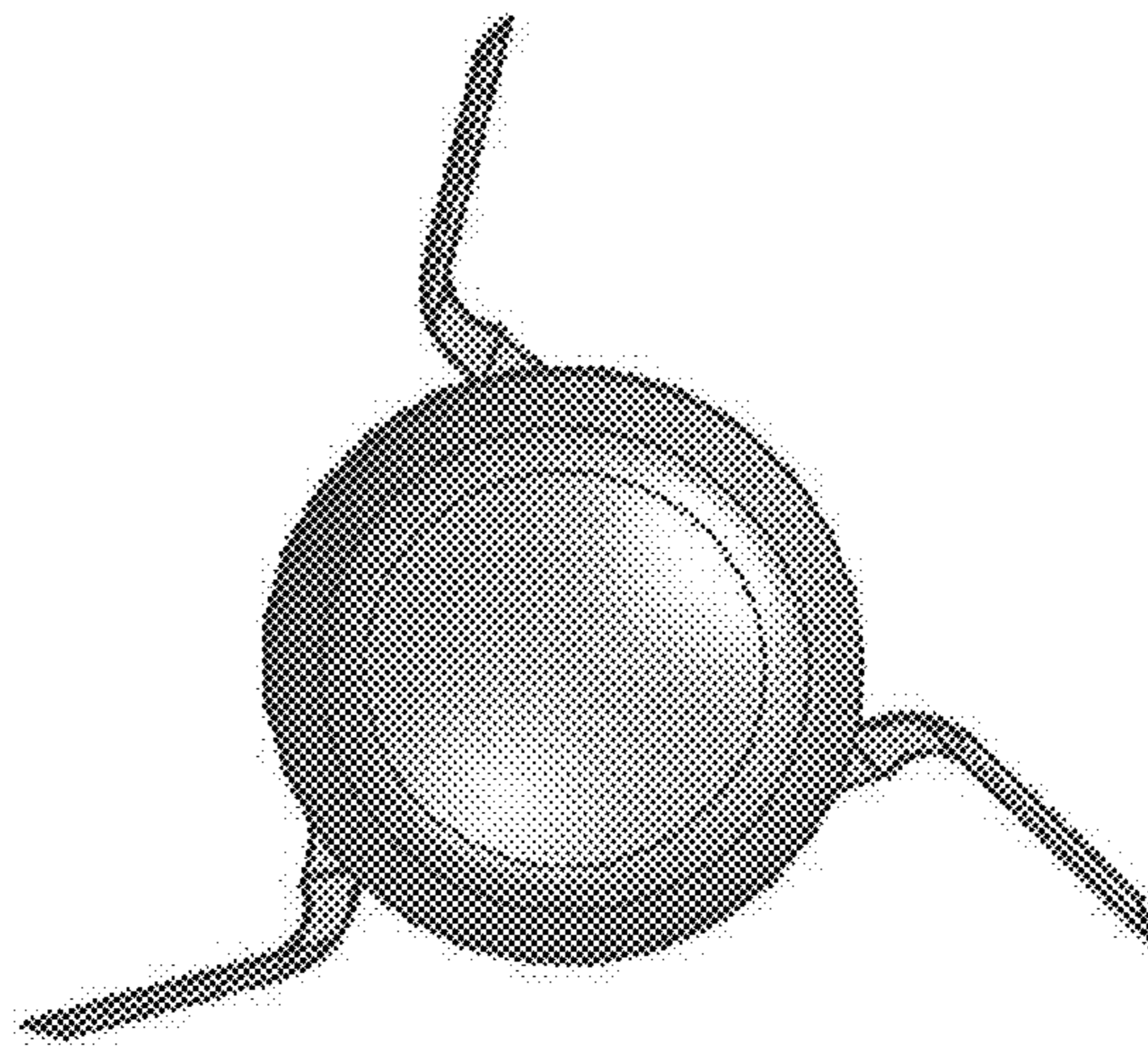


Figure 12

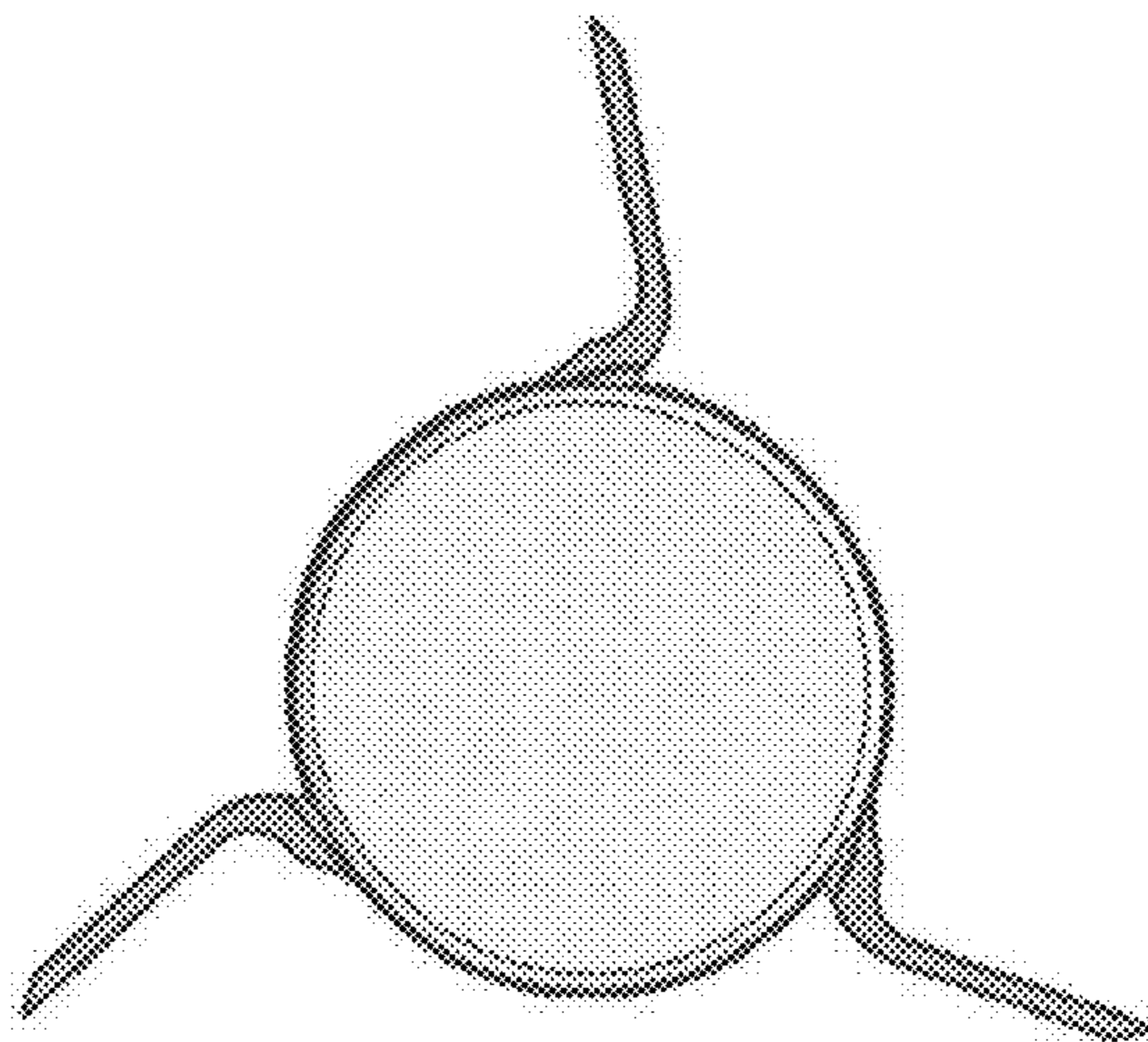


Figure 13

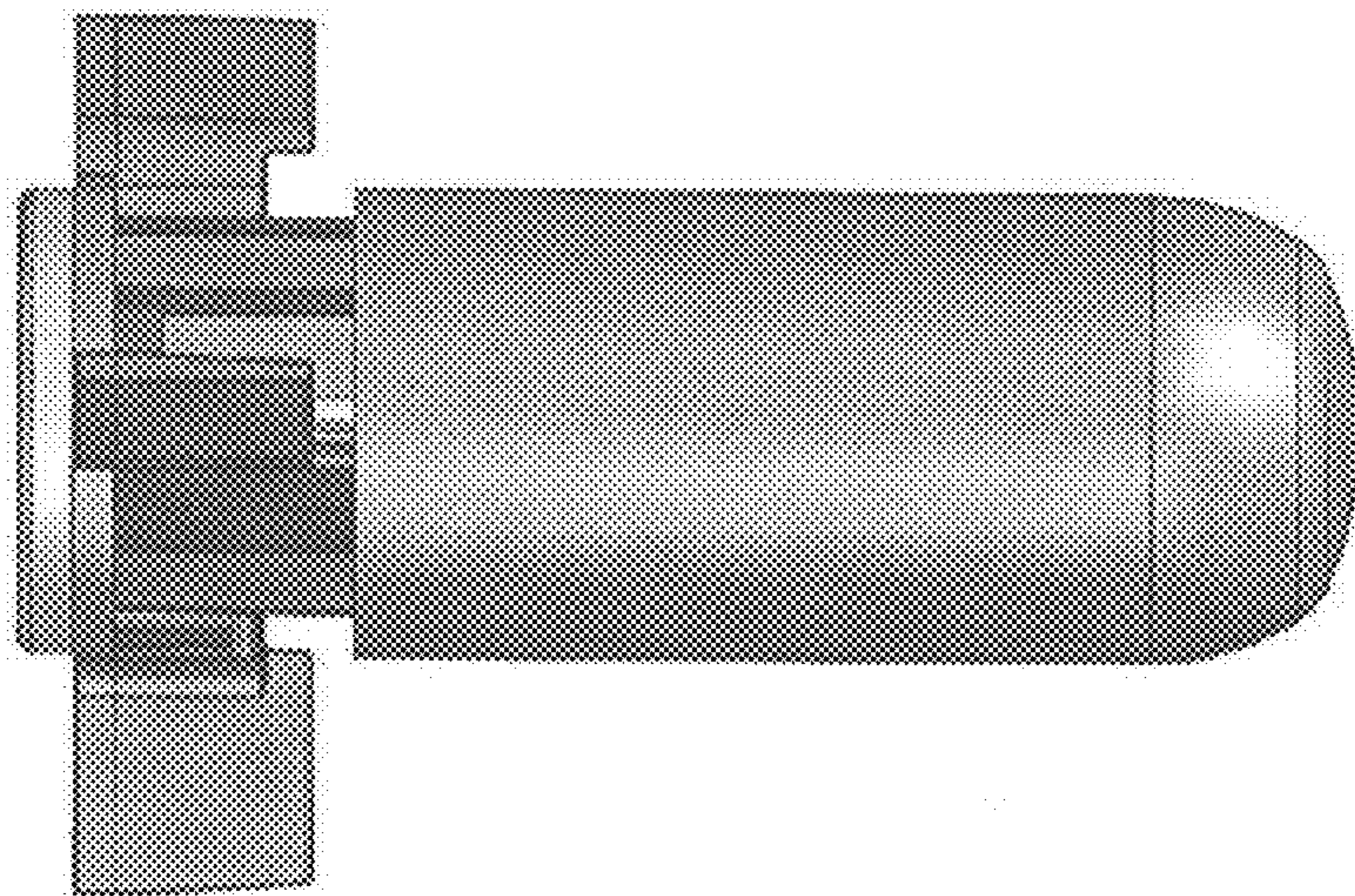


Figure 14

