



US00D747780S

(12) **United States Design Patent**
Swan et al.

(10) **Patent No.:** **US D747,780 S**
(45) **Date of Patent:** **** Jan. 19, 2016**

(54) **RAIL CLAMP WITH CAM FASTENER**

(71) Applicant: **S & S Precision, LLC**, Virginia Beach, VA (US)

(72) Inventors: **Johnny E. Swan**, Virginia Beach, VA (US); **Andrew C. Borland**, Virginia Beach, VA (US); **William-Joseph Basan Elizalde**, Virginia Beach, VA (US)

(73) Assignee: **S & S Precision, LLC**, Virginia Beach, VA (US)

(**) Term: **14 Years**

(21) Appl. No.: **29/461,609**

(22) Filed: **Jul. 25, 2013**

(51) **LOC (10) Cl.** **22-01**

(52) **U.S. Cl.**
USPC **D22/110**

(58) **Field of Classification Search**
USPC D8/354-356, 371, 376, 394-396, 382;
D22/7, 110; 24/16 R, 279; 33/247;
42/101; 248/49, 62, 74.1-74.4, 73,
248/205 R
See application file for complete search history.

(56) **References Cited**

U.S. PATENT DOCUMENTS

D195,997 S *	8/1963	Reithoffer	D8/394
D196,142 S *	8/1963	Storm et al.	D8/394
D197,426 S *	2/1964	Hussar	D8/394
3,276,800 A *	10/1966	Loudon et al.	403/397
D267,625 S *	1/1983	Dark	D8/73
D280,285 S *	8/1985	Miller et al.	D8/72
D304,200 S *	10/1989	MacKelvie	D15/140
D307,240 S *	4/1990	Baker	D8/396

5,606,818 A *	3/1997	Hardee	42/124
6,513,276 B2 *	2/2003	Mendoza-Orozco	42/137
D584,789 S *	1/2009	Swan	D22/110
7,493,721 B2 *	2/2009	Swan	42/125
D591,383 S *	4/2009	Bengtsson	D22/110
7,802,395 B1 *	9/2010	Swan	42/127
D672,839 S *	12/2012	Ding	D22/109
D681,767 S *	5/2013	Li et al.	D22/109
8,490,313 B2 *	7/2013	Frascati et al.	42/90
D697,576 S *	1/2014	Swan et al.	D22/109
8,769,859 B2 *	7/2014	Li et al.	42/124
D718,833 S *	12/2014	Huang	D22/108
2006/0123686 A1 *	6/2006	Larue	42/127
2011/0076095 A1 *	3/2011	Storch et al.	403/322.4
2011/0296731 A1 *	12/2011	Carlson et al.	42/90

* cited by examiner

Primary Examiner — John Windmuller

(74) *Attorney, Agent, or Firm* — Kilpatrick Townsend & Stockton LLP

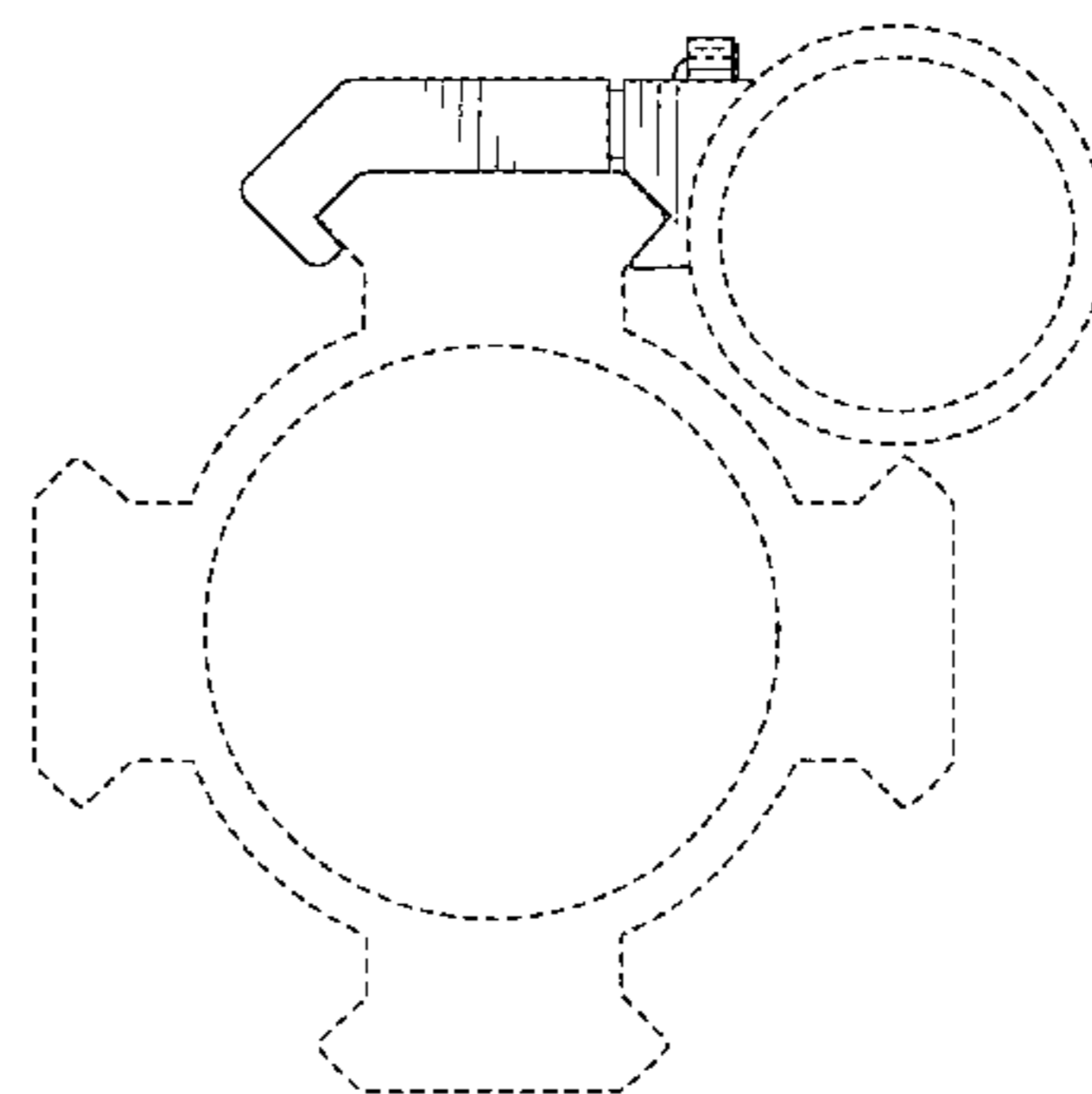
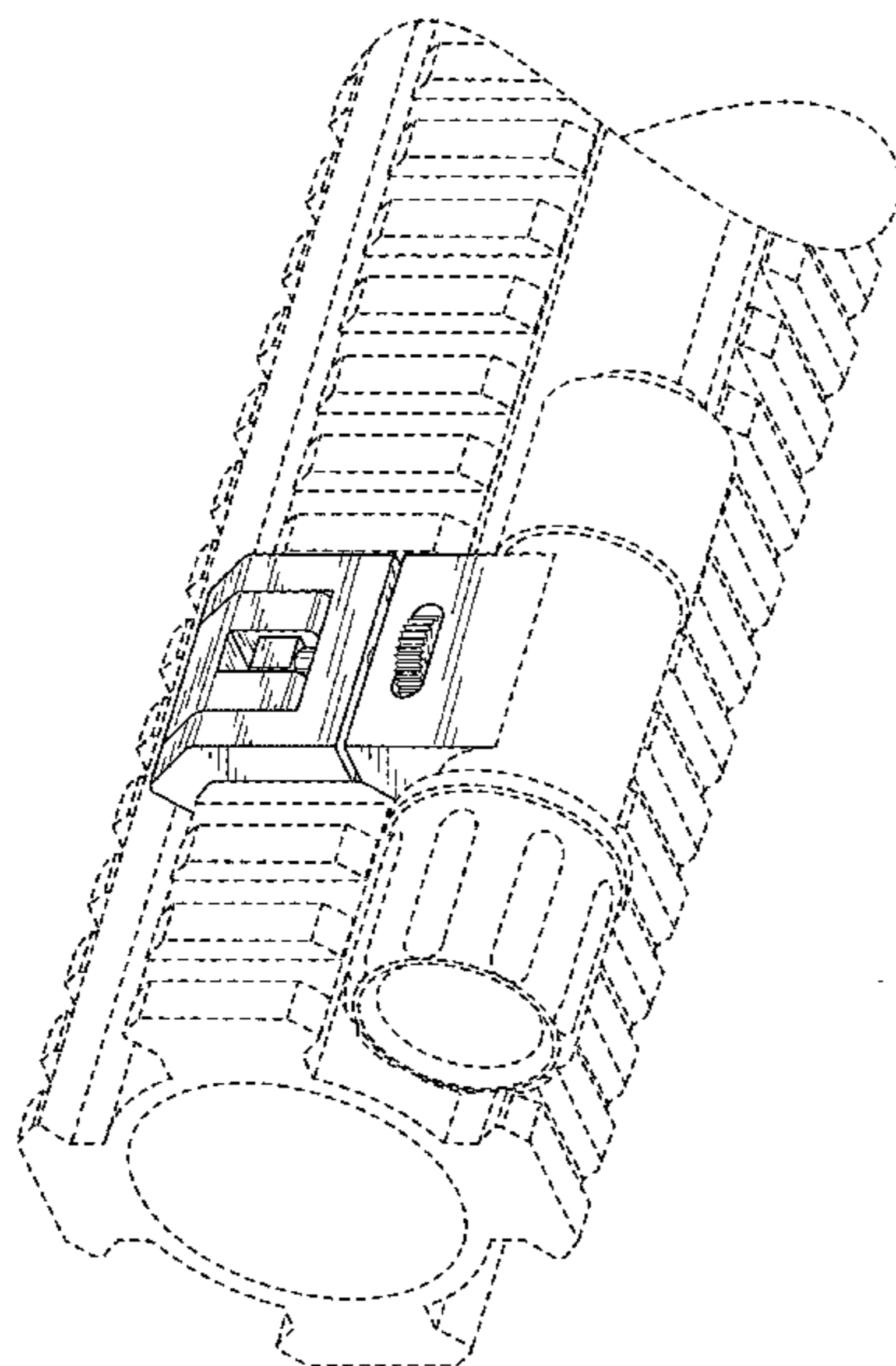
(57) **CLAIM**

The ornamental design for a rail clamp with cam fastener, as shown and described.

DESCRIPTION

FIG. 1 is a front perspective view of a first embodiment of a rail clamp with cam fastener showing our new design; FIG. 2 is a top plan view thereof; FIG. 3 is a front view thereof; FIG. 4 is a right side view thereof; FIG. 5 is a left side view thereof; FIG. 6 is a rear view thereof; and, FIG. 7 is a bottom plan view thereof. The broken line portions showing gun barrel rails and attachments in FIGS. 1-7 are shown to illustrate environment only and form no part of the claimed design.

1 Claim, 6 Drawing Sheets



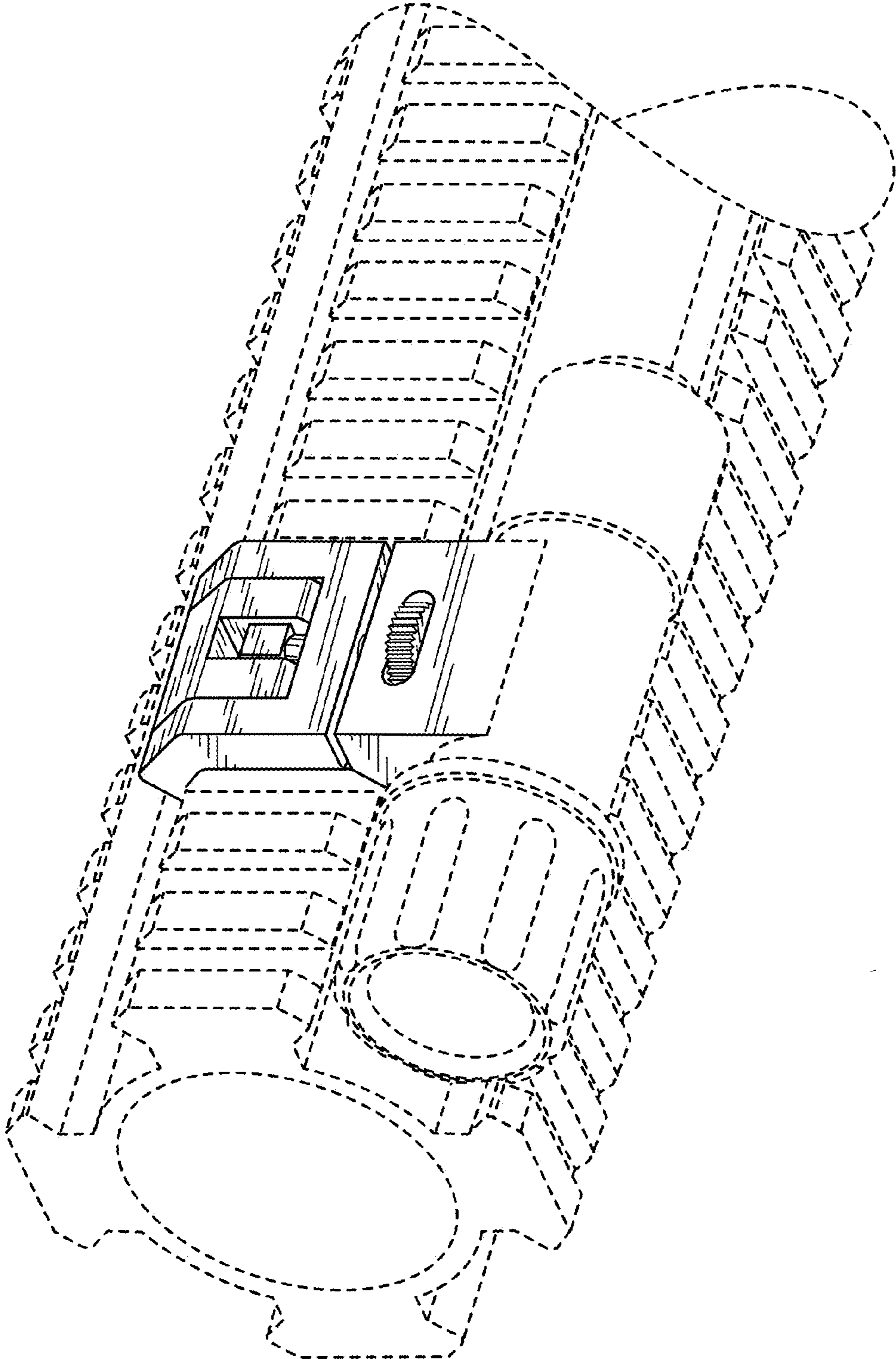


FIG. 1

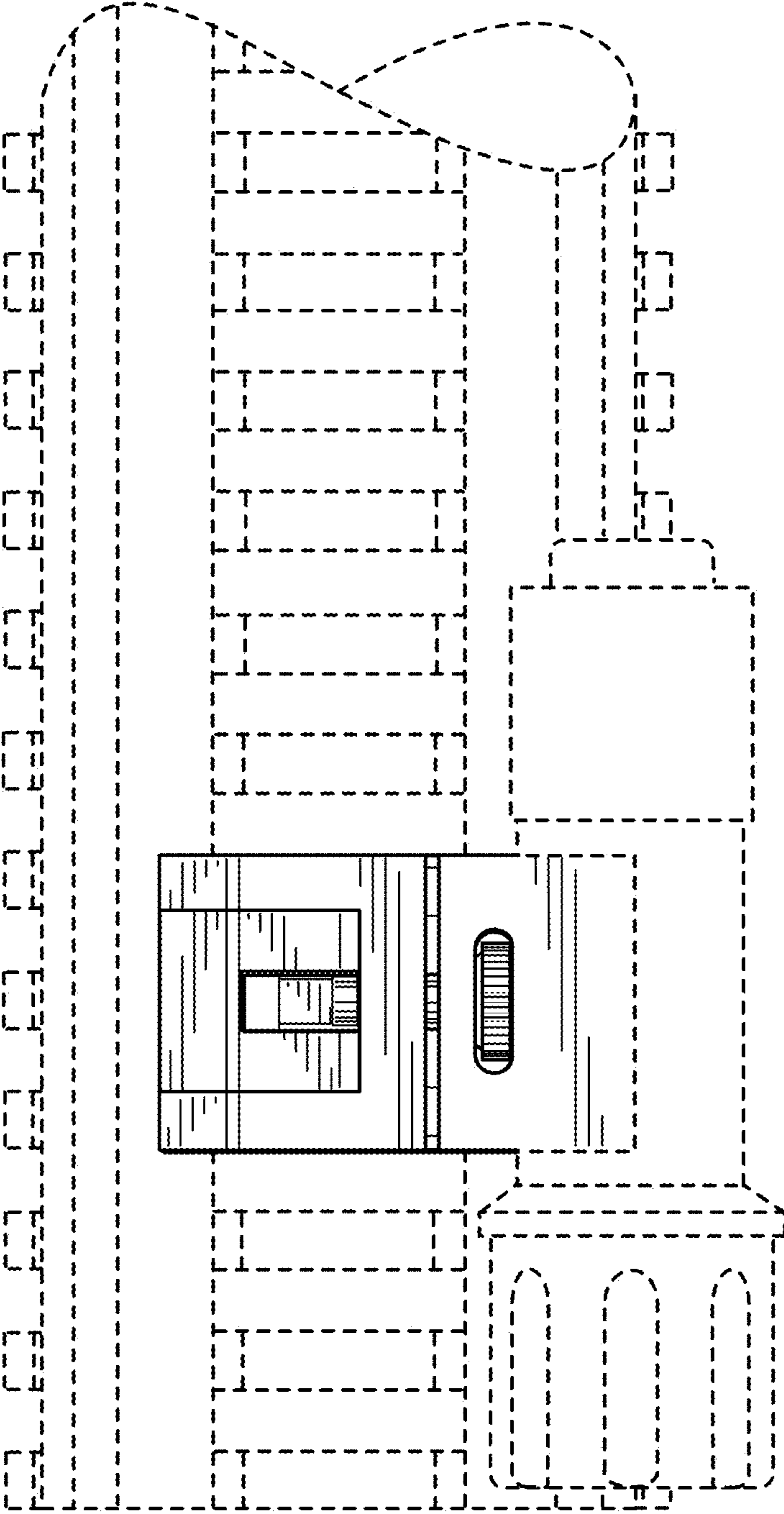


FIG. 2

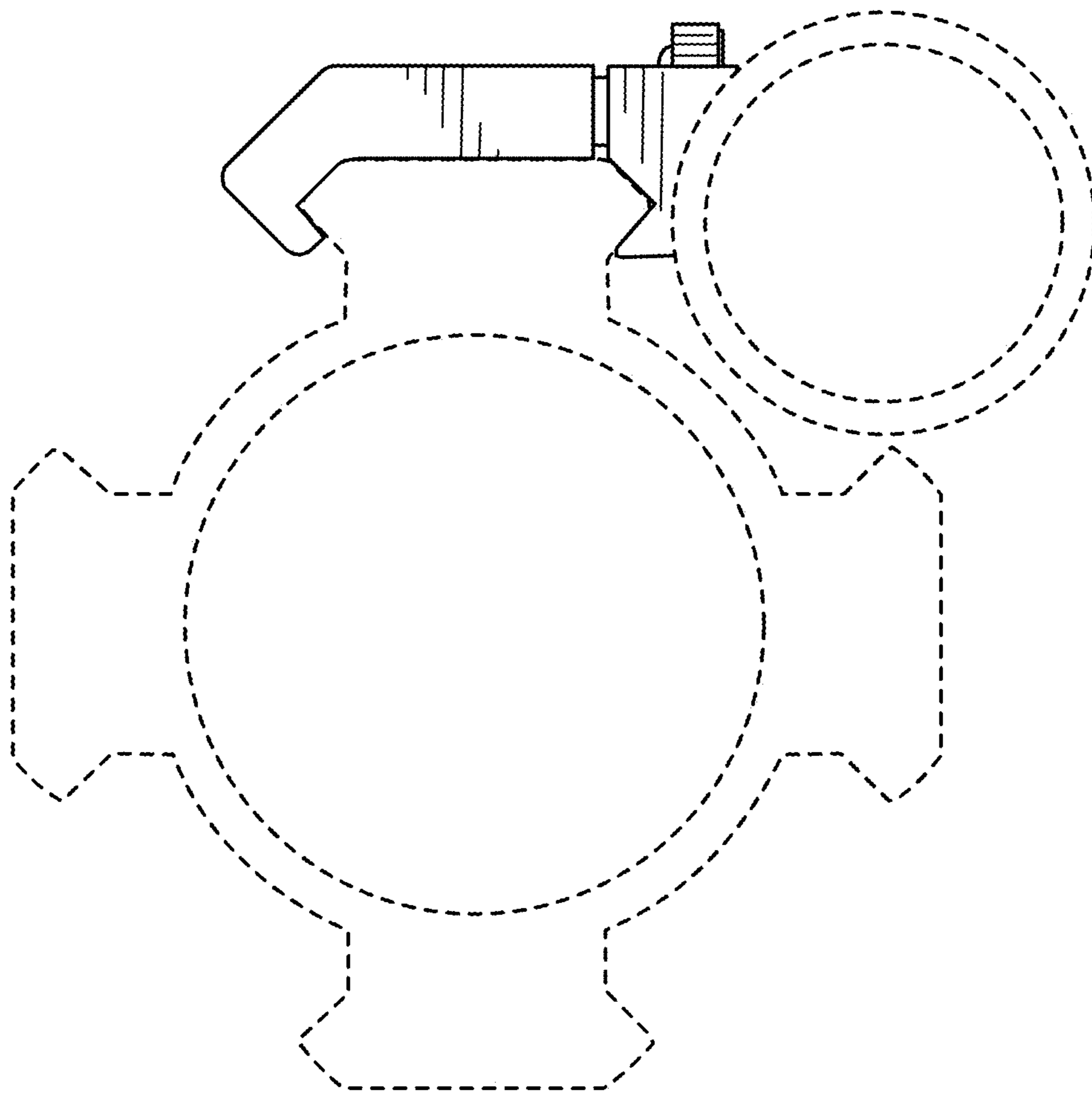


FIG. 3

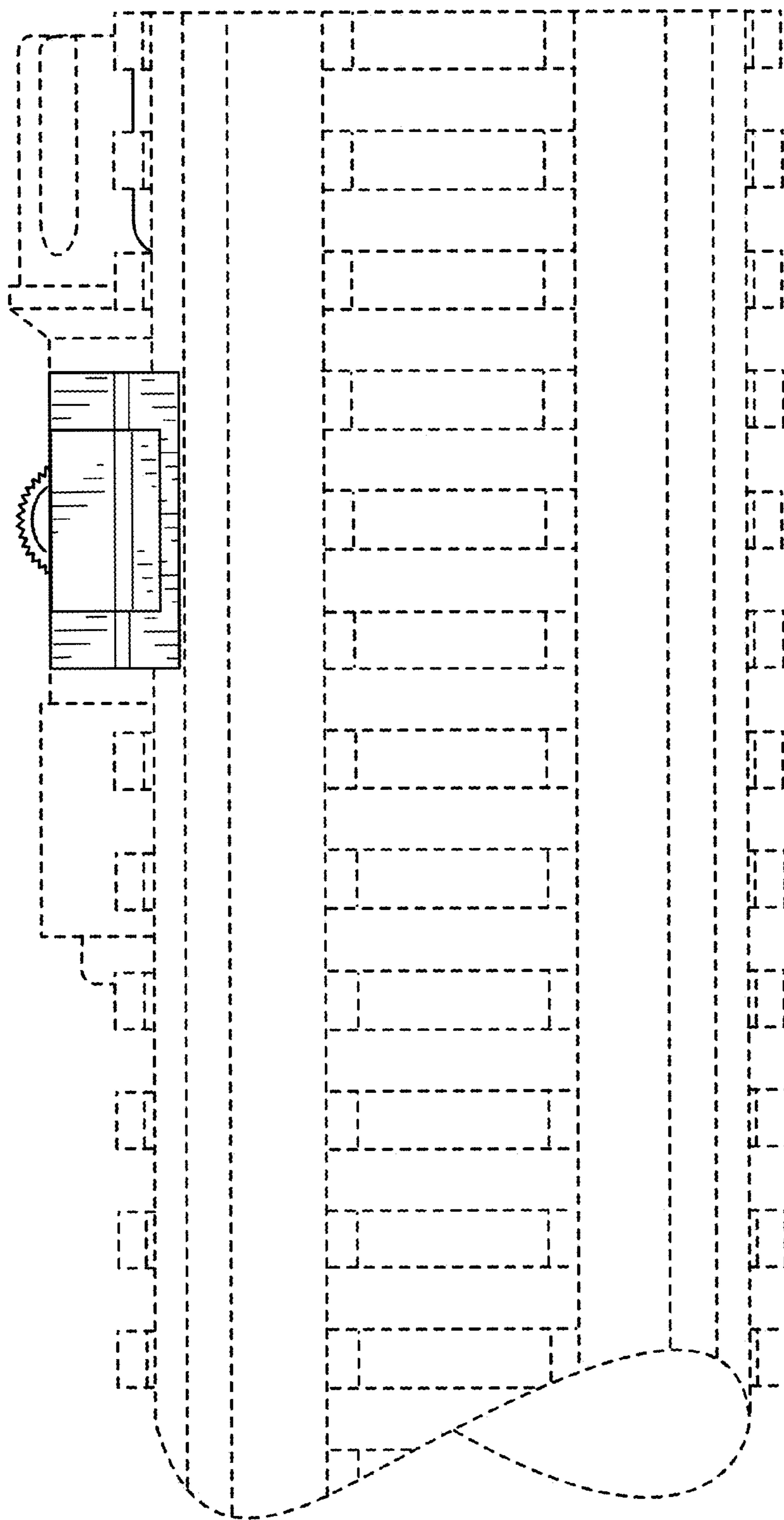


FIG. 4

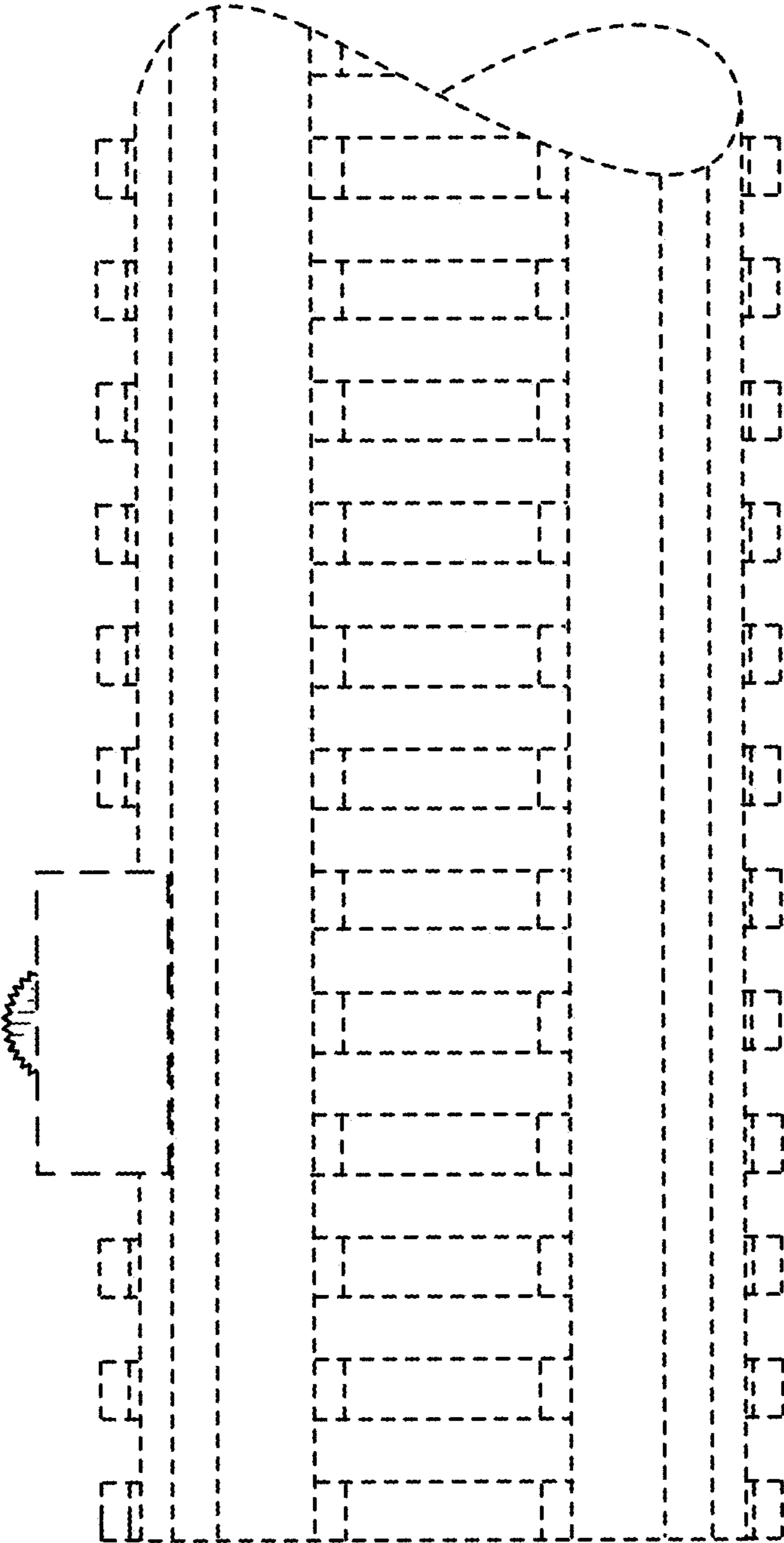


FIG. 5

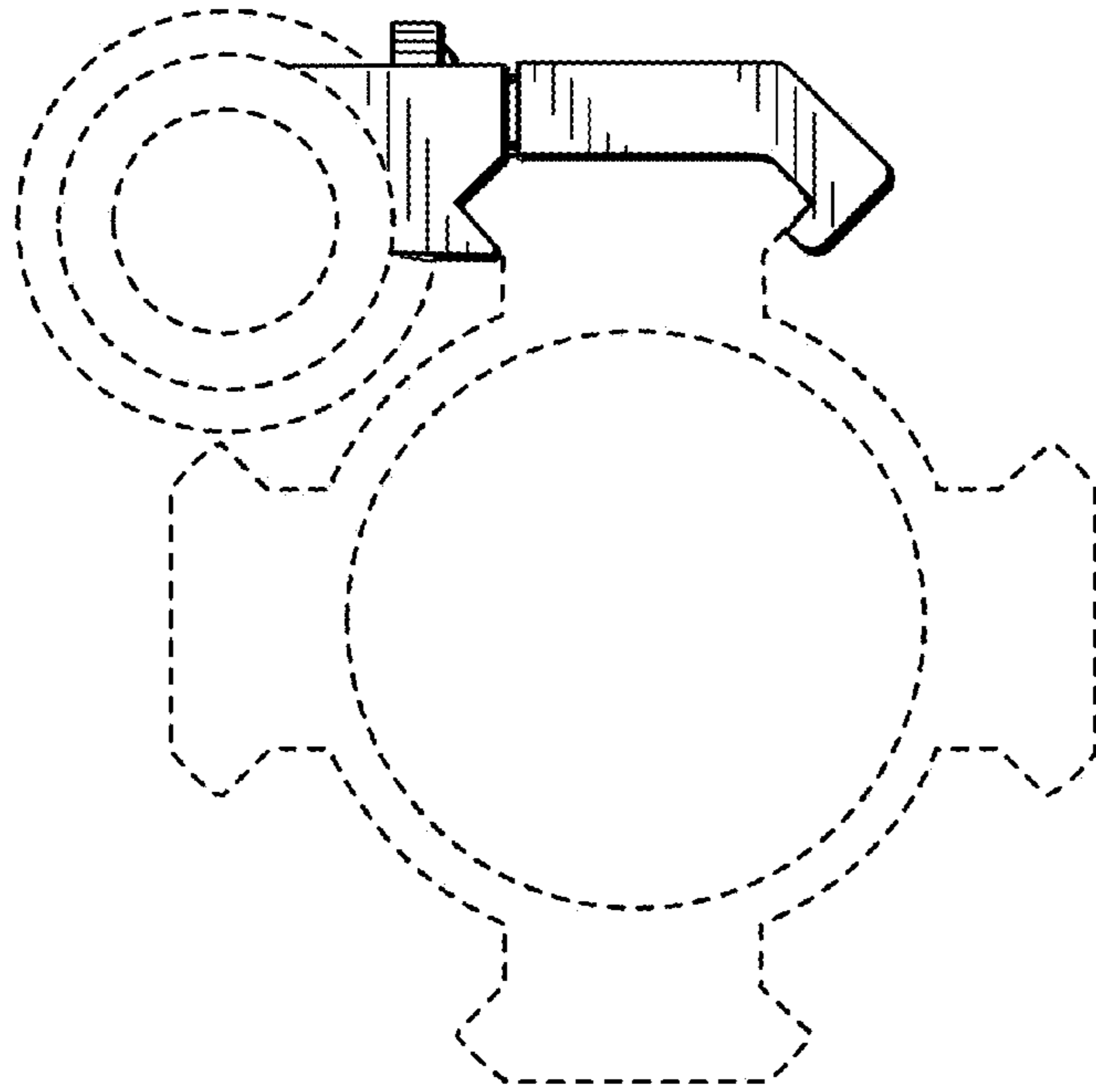


FIG. 6

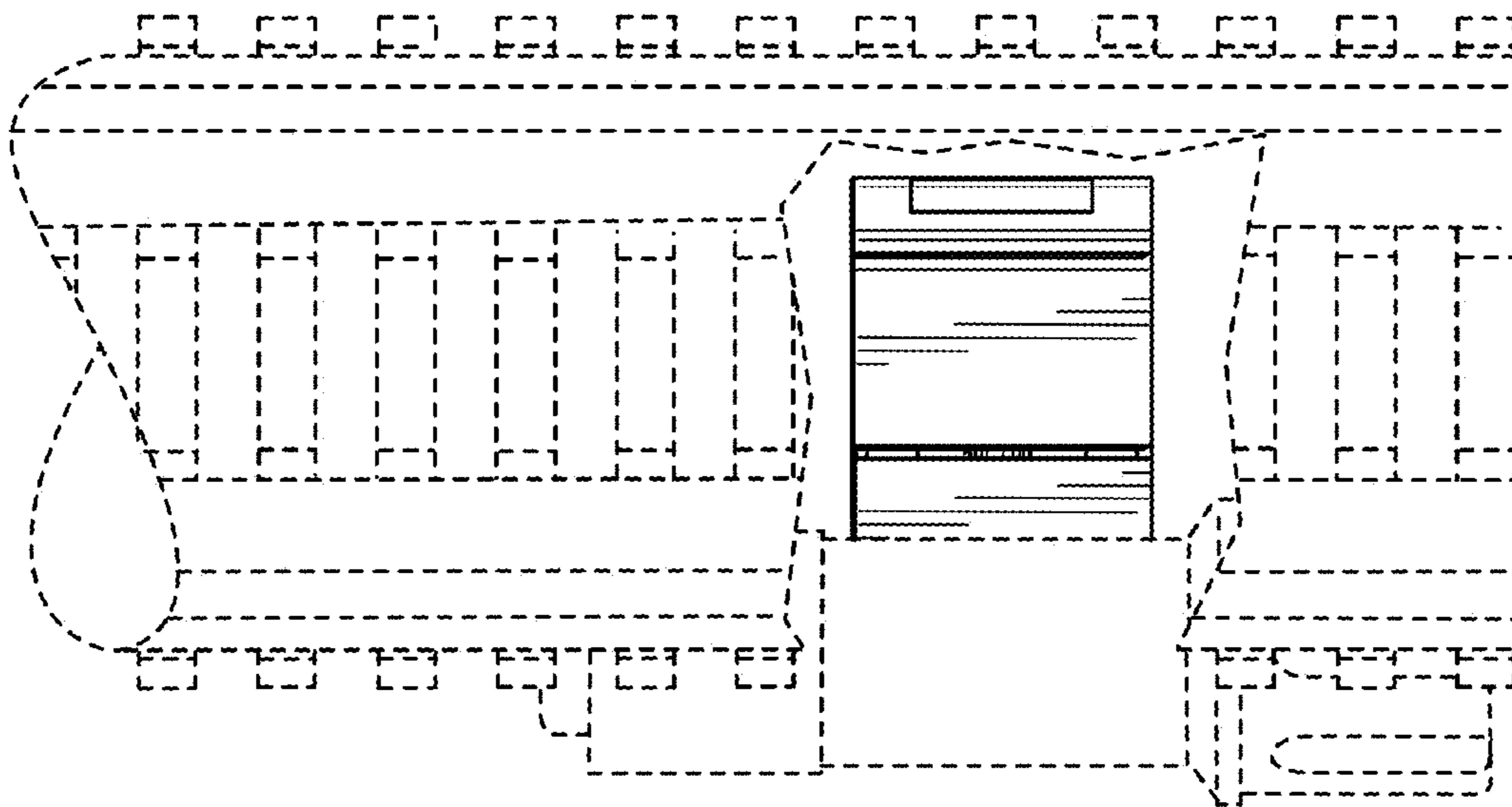


FIG. 7