



US00D74776S

(12) **United States Design Patent**
Norman et al.

(10) **Patent No.:** **US D747,776 S**
(45) **Date of Patent:** **** Jan. 19, 2016**

(54) **TOY SHARK CHOMPER**

D413,418 S * 8/1999 Ancona D21/599
D433,062 S * 10/2000 Ho D21/597
D607,064 S * 12/2009 Thorsen D21/599

(71) Applicant: **Innovation First, Inc.**, Greenville, TX
(US)

* cited by examiner

(72) Inventors: **David Anthony Norman**, Greenville,
TX (US); **Robert H. Mimlitch, III**,
Rowlett, TX (US); **Raul Olivera**, Heath,
TX (US); **Douglas Michael Galletti**,
Allen, TX (US); **Gregory James
Lavender**, Rockwell, TX (US); **Jeffrey
Russel Waegelin**, Rockwell, TX (US);
James Anthony Trzaskos, Greenville,
TX (US); **Kelvin Gunnar Frank**,
Kemah, TX (US); **Jason Alan Weihman**,
Troy, MI (US)

Primary Examiner — Sandra Morris

(74) *Attorney, Agent, or Firm* — Adam K. Sacharoff; Much
Shelist

(57) **CLAIM**

The ornamental design for a toy shark chomper, as shown and
described.

DESCRIPTION

(73) Assignee: **Innovation First, Inc.**, Greenville, TX
(US)

FIG. 1 is a top rear-right perspective view of a toy shark
chomper in accordance with the invention;
FIG. 2 is a top front-right perspective view of FIG. 1;
FIG. 3 is a top rear-left perspective view of FIG. 1;
FIG. 4 is a top rear-right perspective view of FIG. 1;
FIG. 5 is a bottom front-right perspective view of FIG. 1;
FIG. 6 is a bottom rear-left perspective view of FIG. 1;
FIG. 7 is a front side view of FIG. 1;
FIG. 8 is a rear side view of FIG. 1;
FIG. 9 is a right side view of FIG. 1;
FIG. 10 is a left side view of FIG. 1;
FIG. 11 is a top side view of FIG. 1;
FIG. 12 is a bottom side view of FIG. 1;
FIG. 13 is a top front perspective view of a toy shark chomper
in accordance with the invention;
FIG. 14 is a rear front perspective view of FIG. 13;
FIG. 15 is a bottom front perspective view of FIG. 13;
FIG. 16 is a front side view of FIG. 13;
FIG. 17 is a rear side view of FIG. 13;
FIG. 18 is a right side view of FIG. 13;
FIG. 19 is a left side view of FIG. 13;
FIG. 20 is a top side view of FIG. 13; and,
FIG. 21 is a bottom side view of FIG. 13.

(**) Term: **14 Years**

(21) Appl. No.: **29/492,687**

(22) Filed: **Jun. 2, 2014**

(51) **LOC (10) Cl.** **21-01**

(52) **U.S. Cl.**
USPC **D21/599**; D21/585

(58) **Field of Classification Search**
USPC D6/598; D11/158; D21/576–585,
D21/587–588, 597–603; 446/368–369, 376,
446/428, 487
CPC A63H 3/00; A63H 3/02; A63H 3/14;
A63H 33/00; A63H 33/003; A63H 33/004
See application file for complete search history.

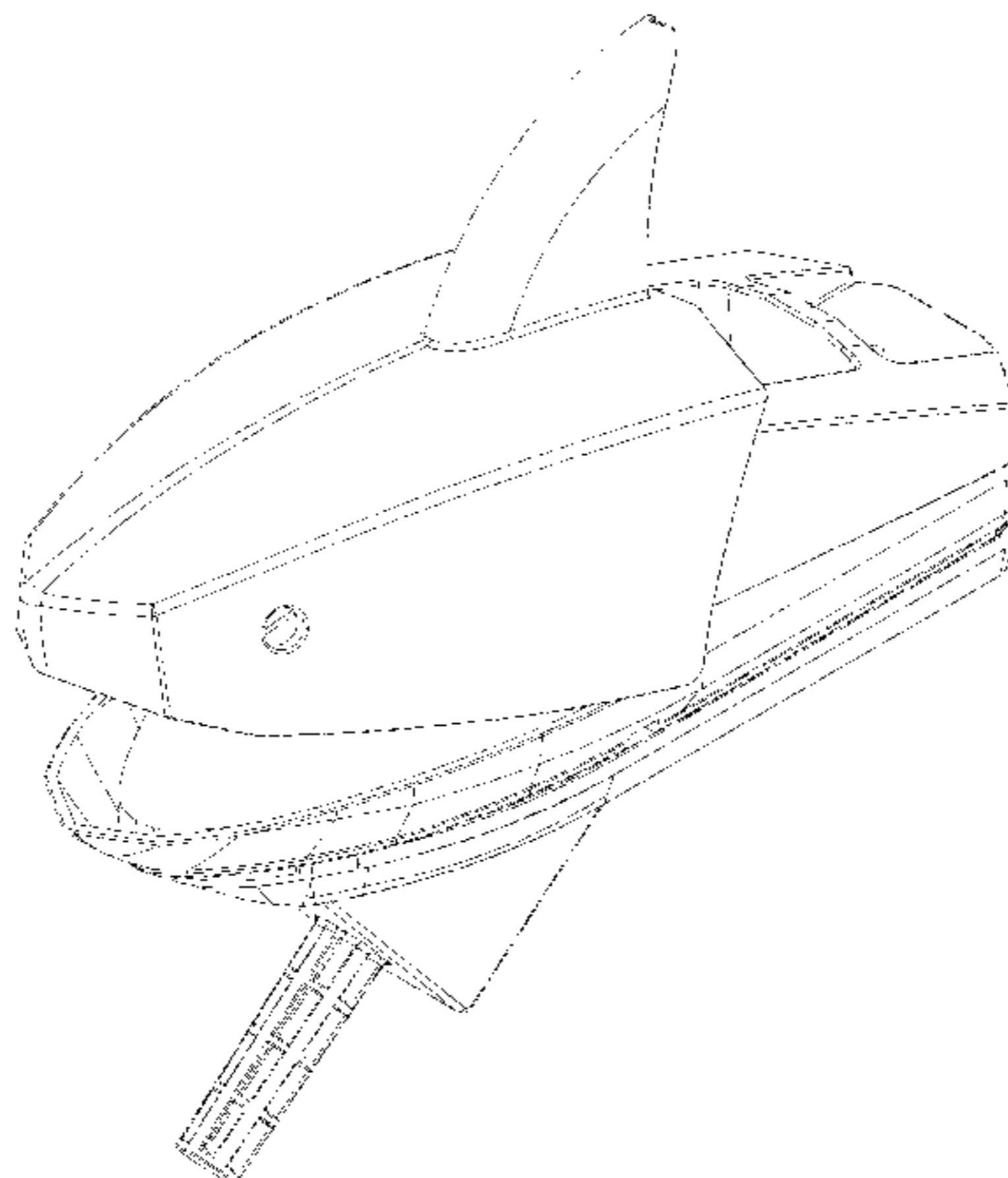
The broken lines are for environmental purposes only and
form no part of the claimed design.

(56) **References Cited**

U.S. PATENT DOCUMENTS

D268,222 S * 3/1983 Chen D21/599
D268,939 S * 5/1983 Appel D21/599
D352,533 S * 11/1994 Wolfe D21/598
D353,687 S * 12/1994 Dacko D21/599
D370,037 S * 5/1996 Berggreen D21/597

1 Claim, 21 Drawing Sheets



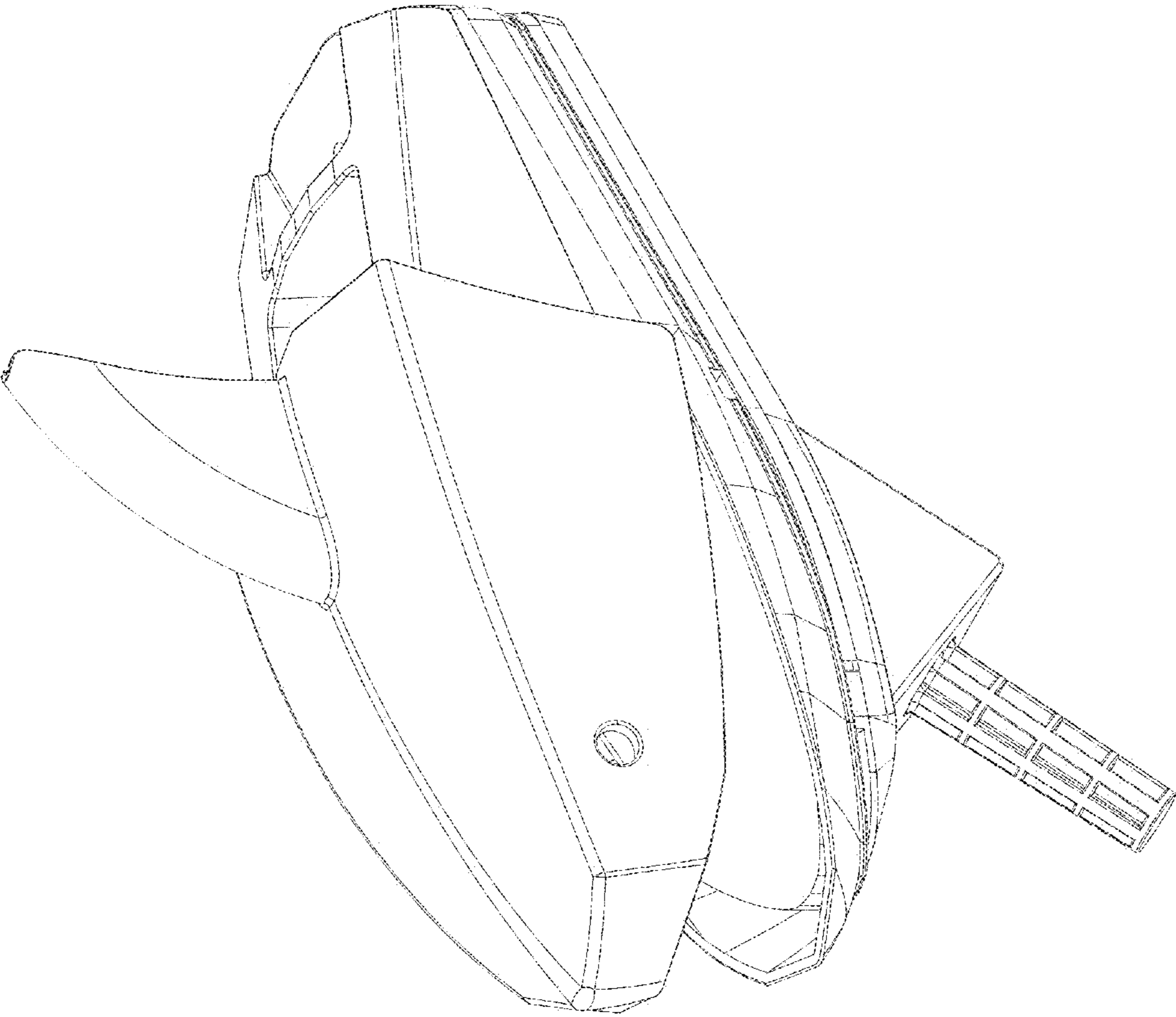


FIGURE 1

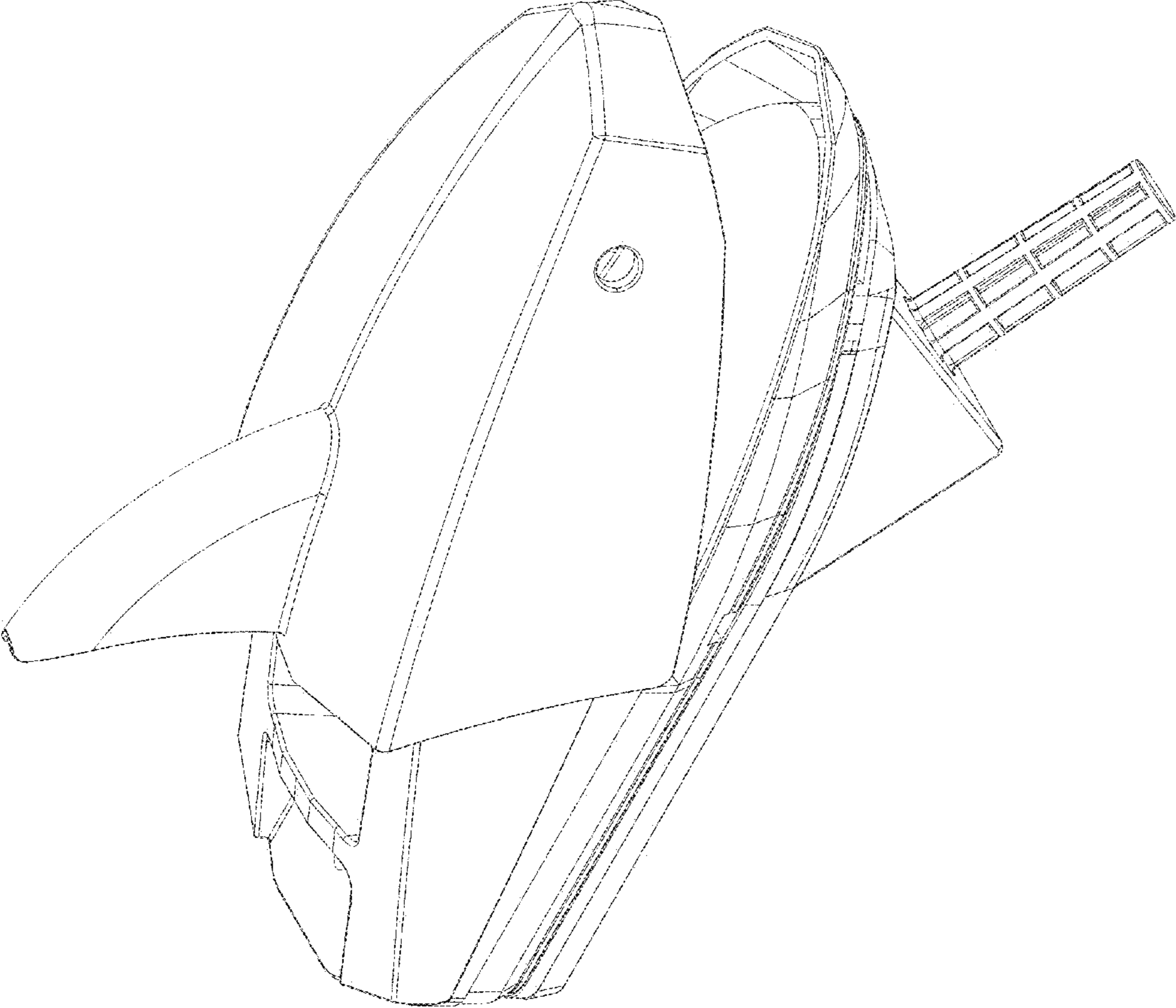


FIGURE 2

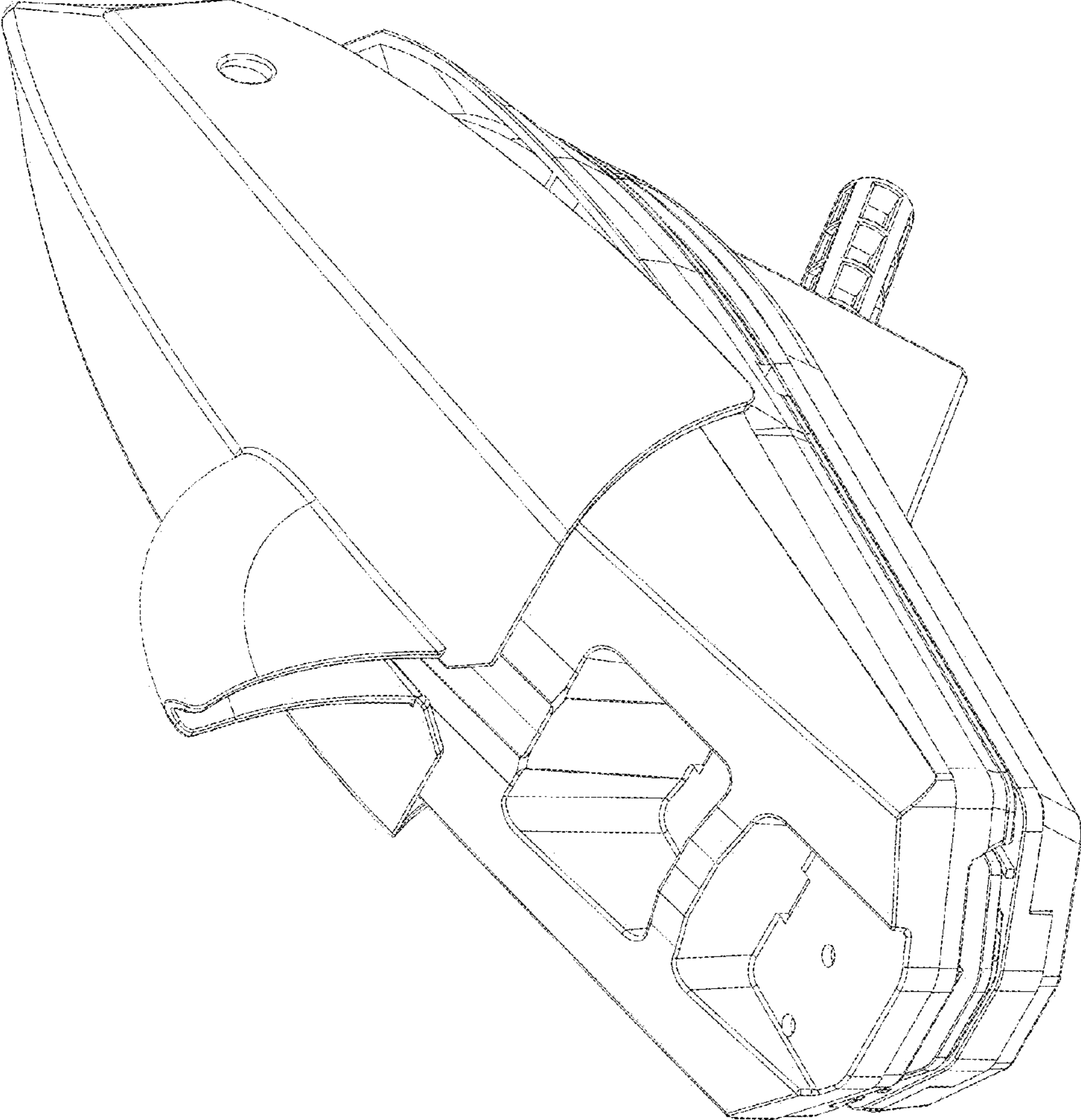


FIGURE 3

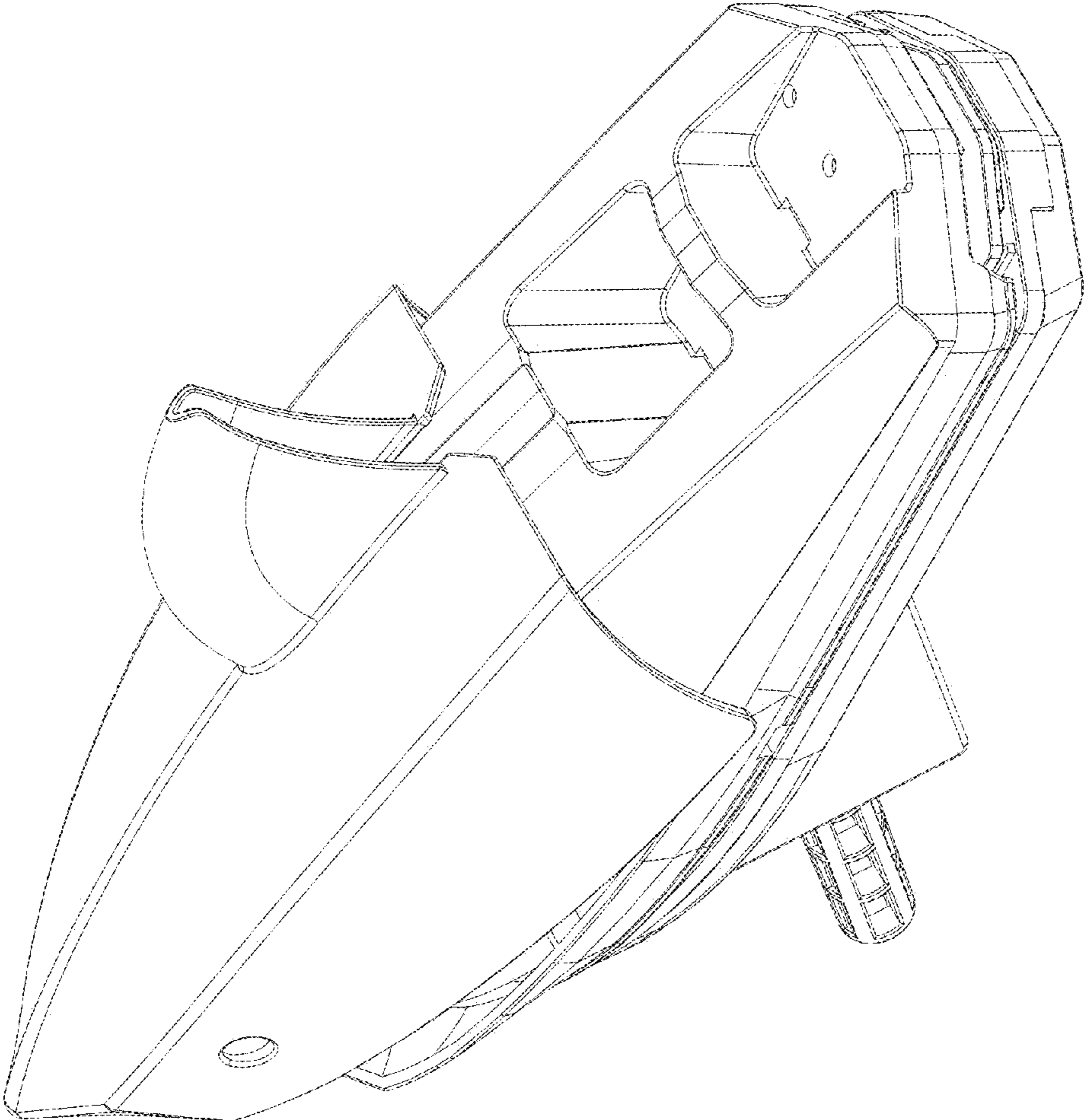


FIGURE 4

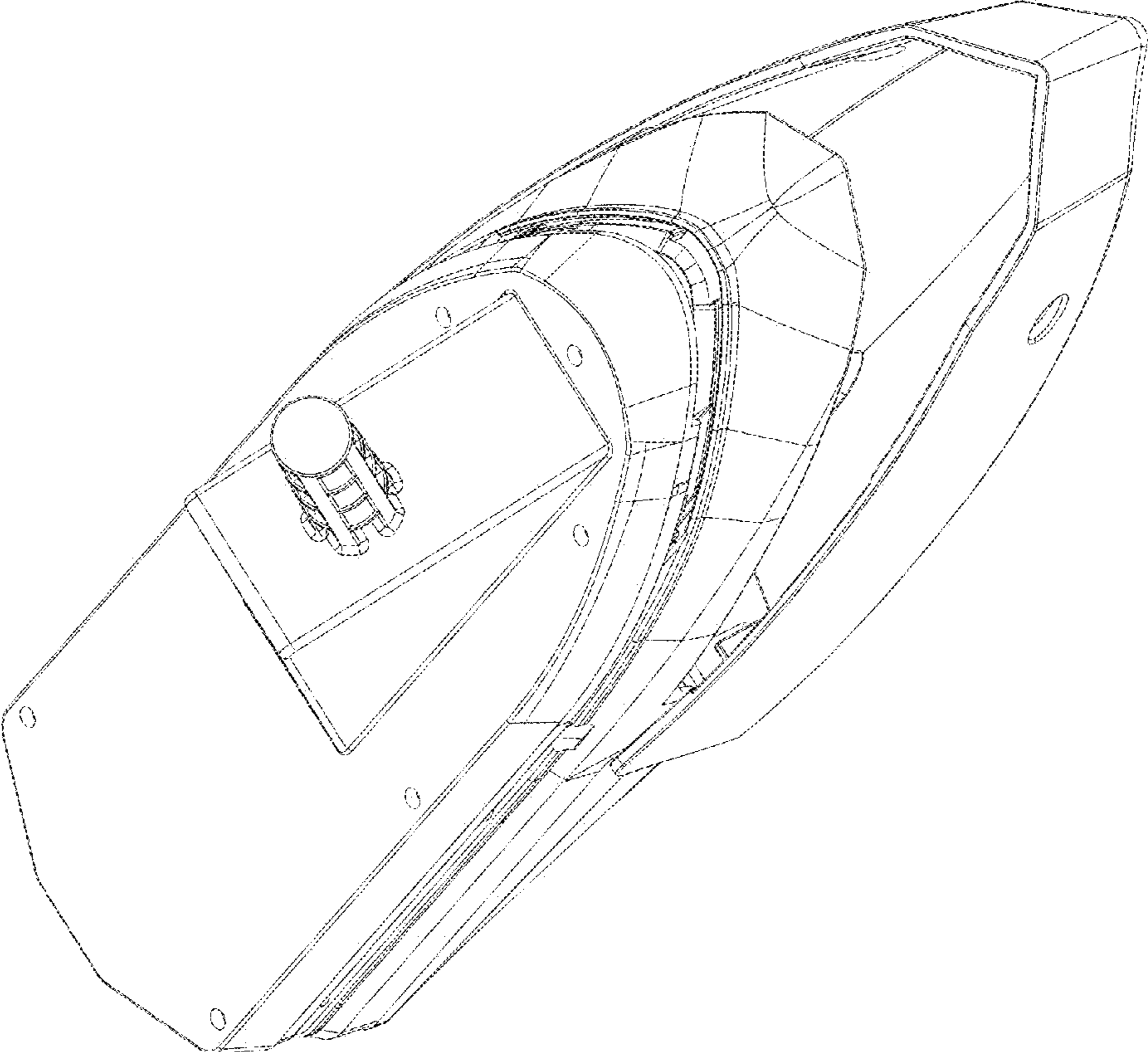


FIGURE 5

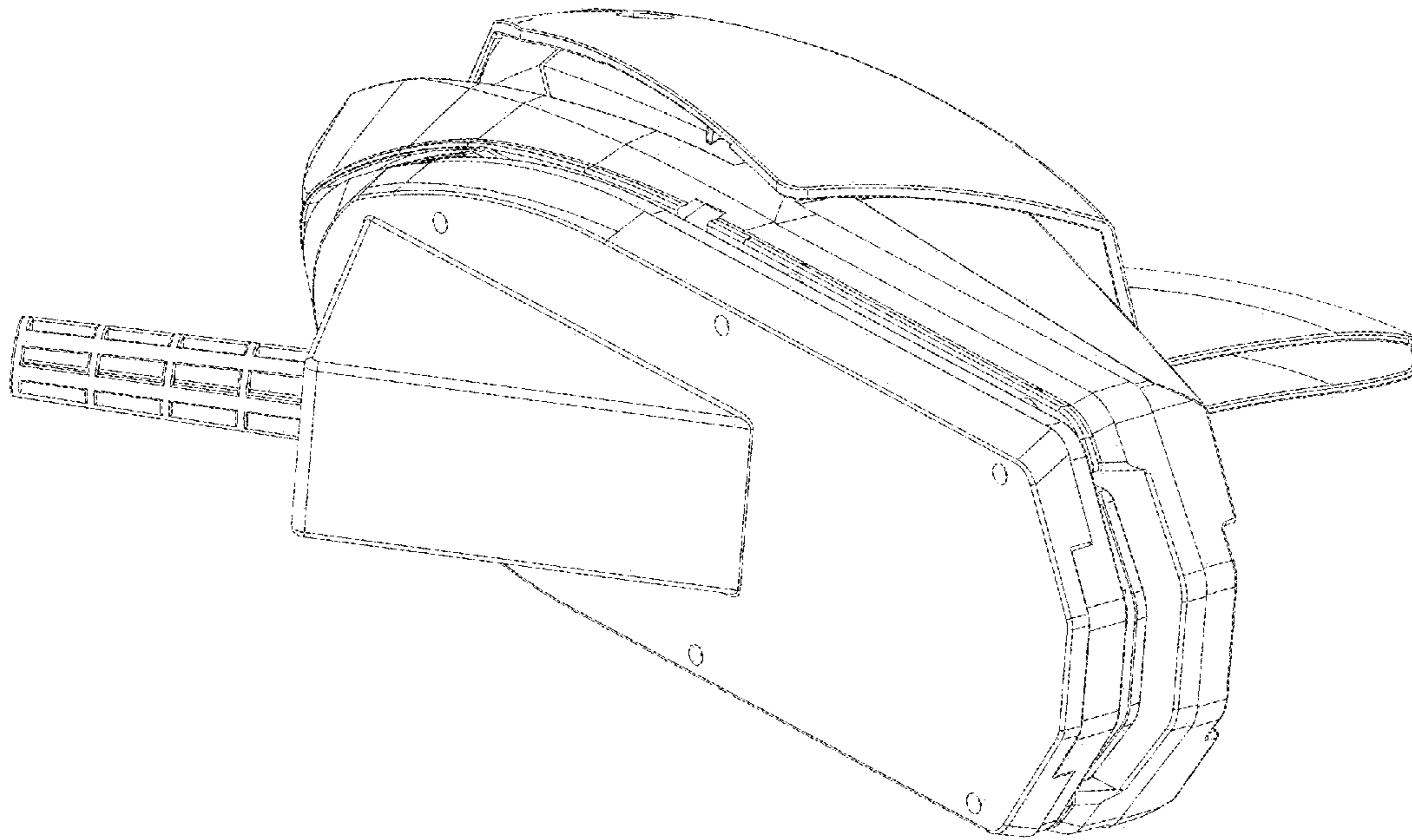


FIGURE 6

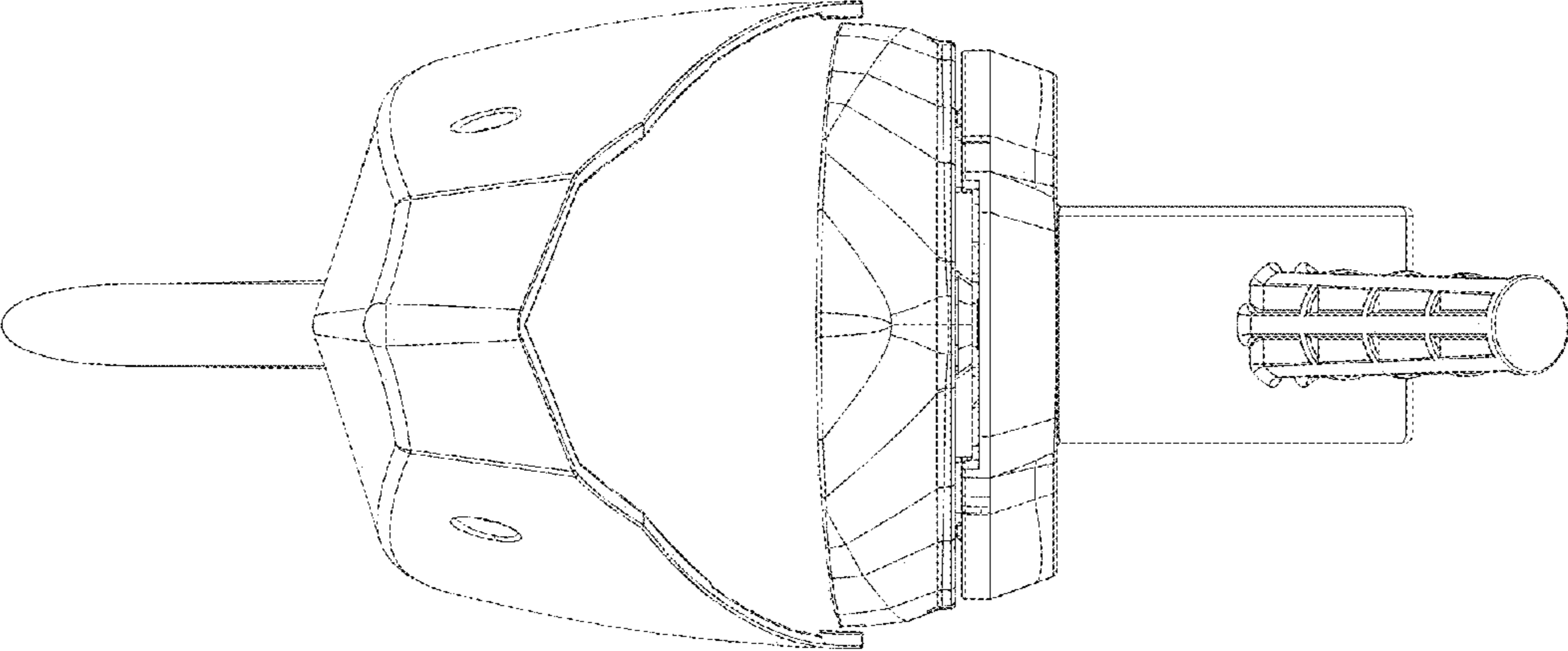


FIGURE 7

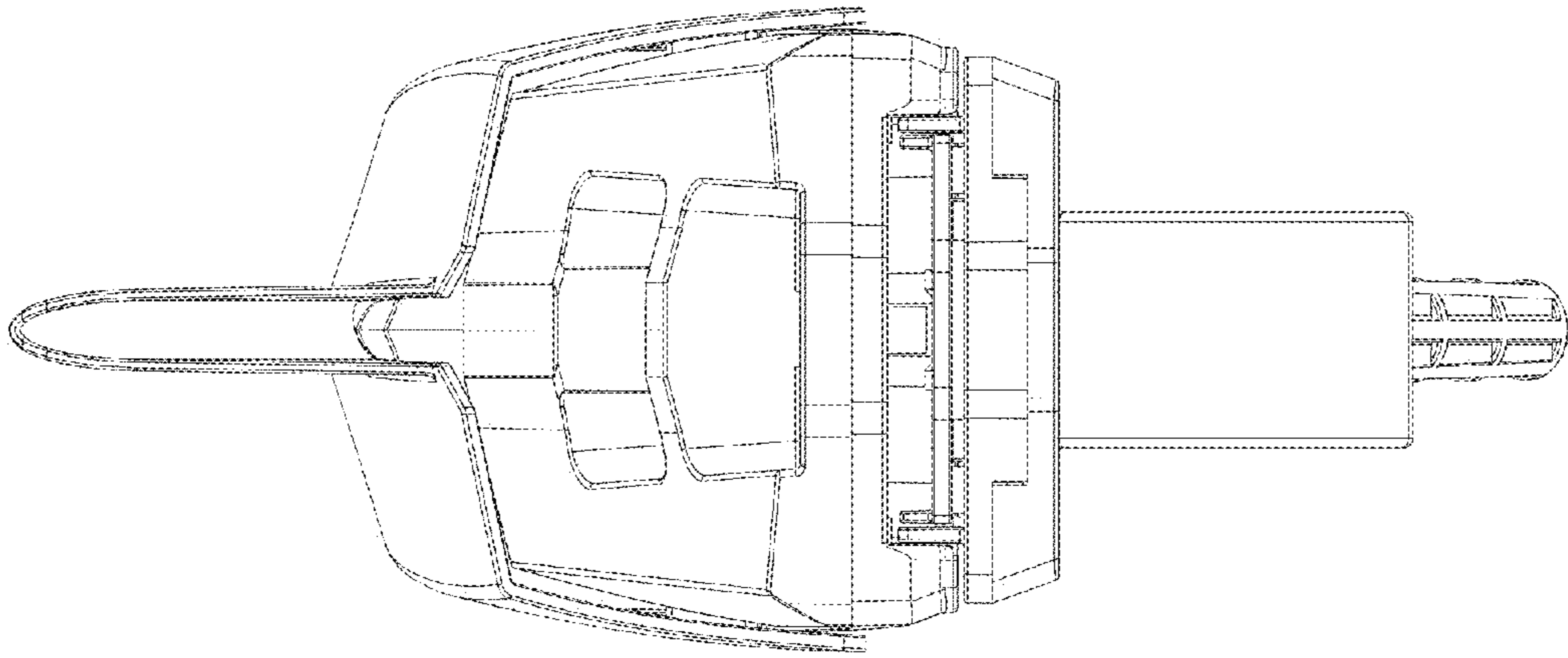


FIGURE 8

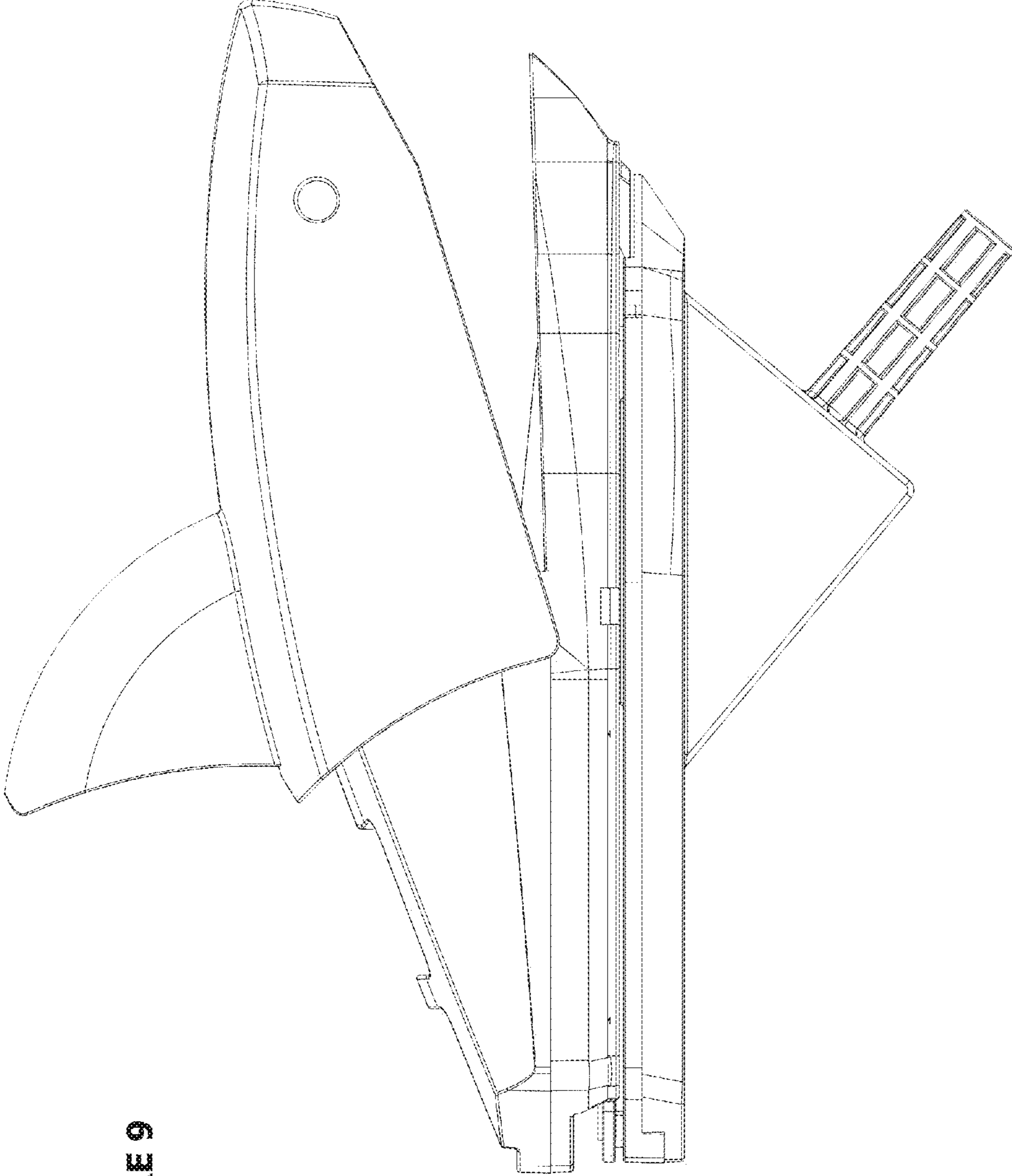


FIGURE 9

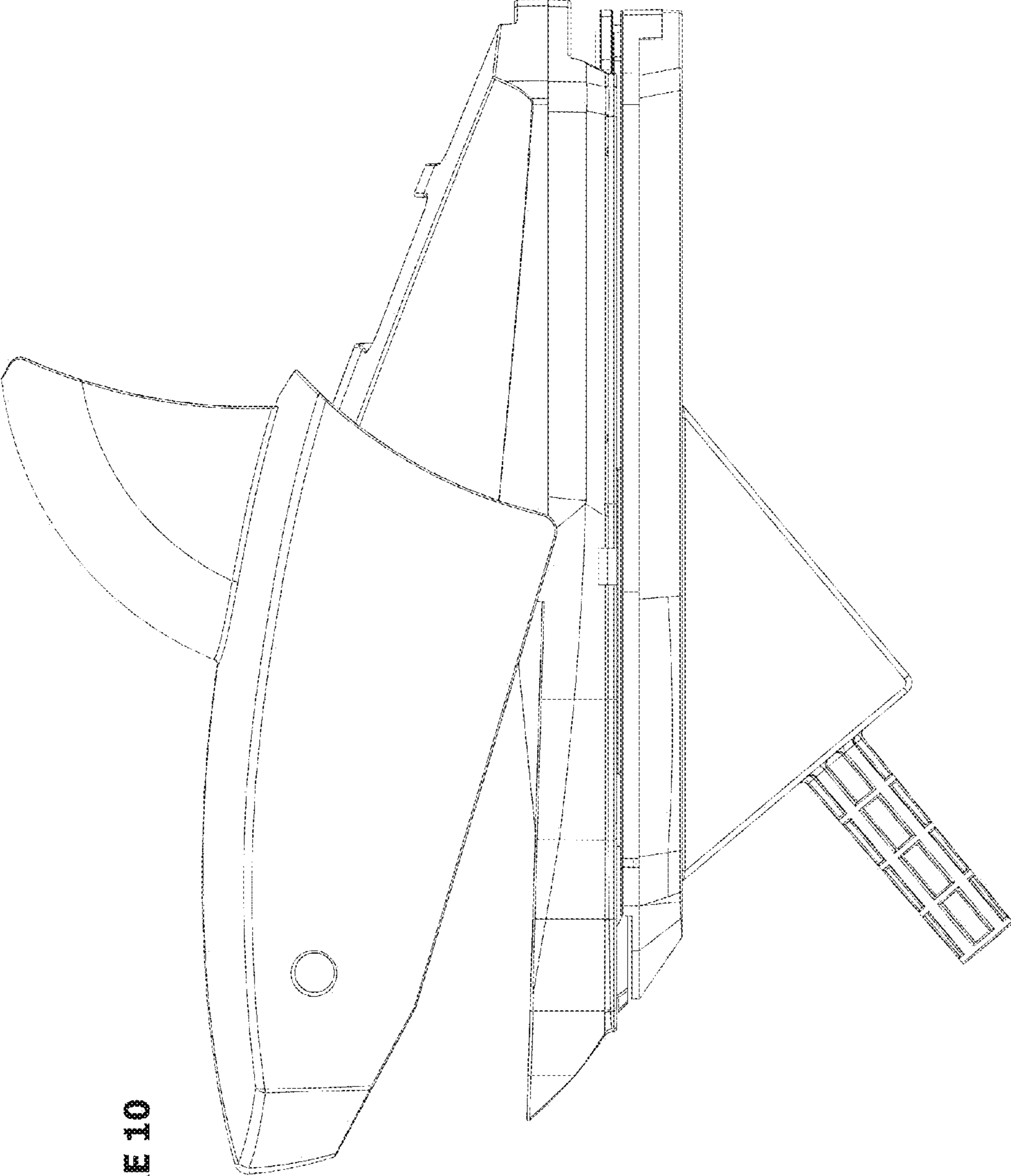


FIGURE 10

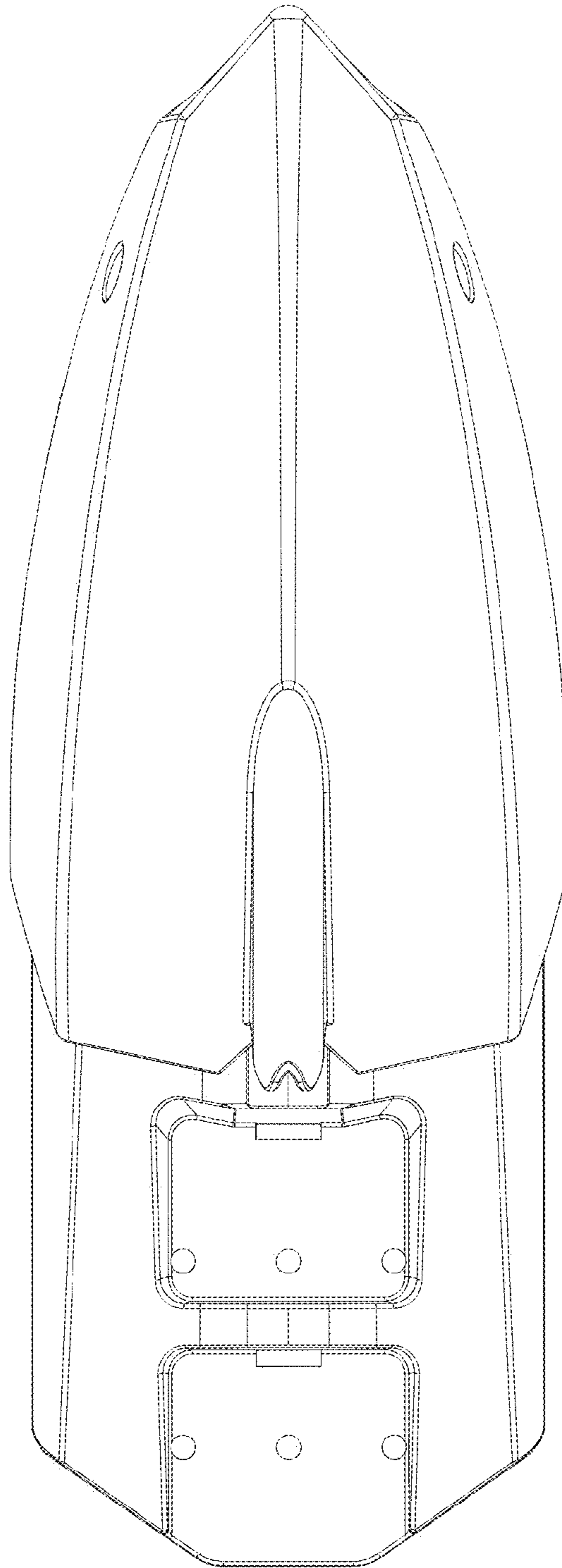


FIGURE 11

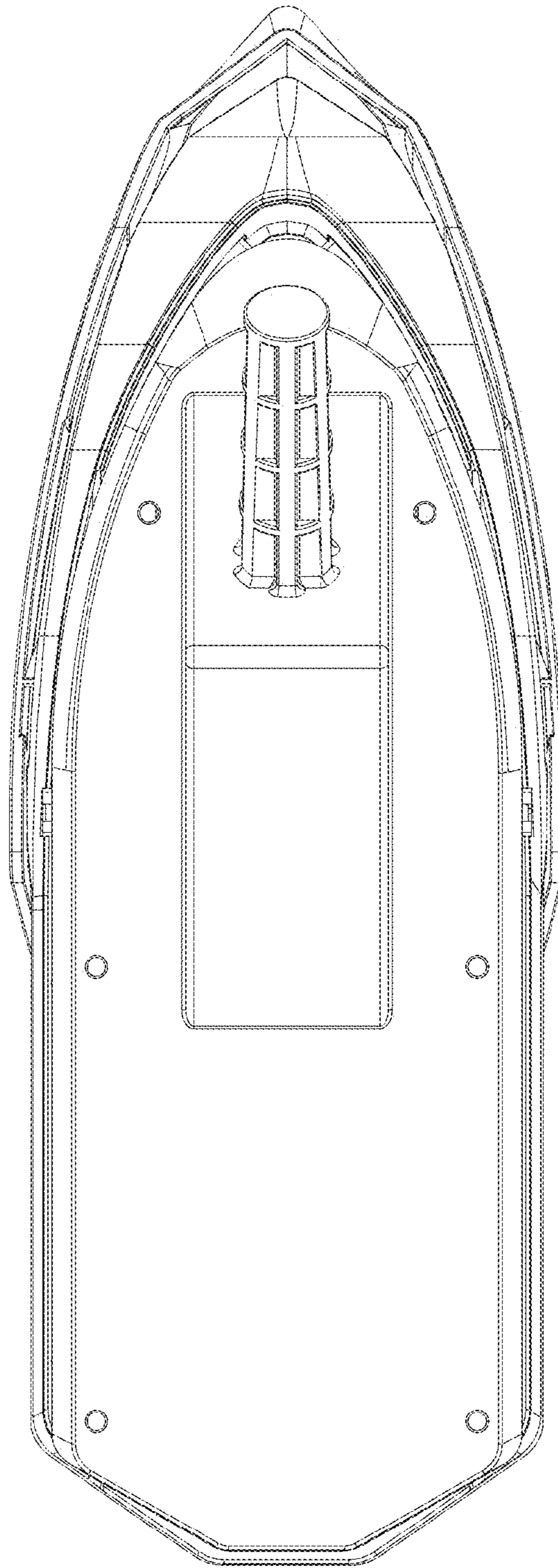


FIGURE 12

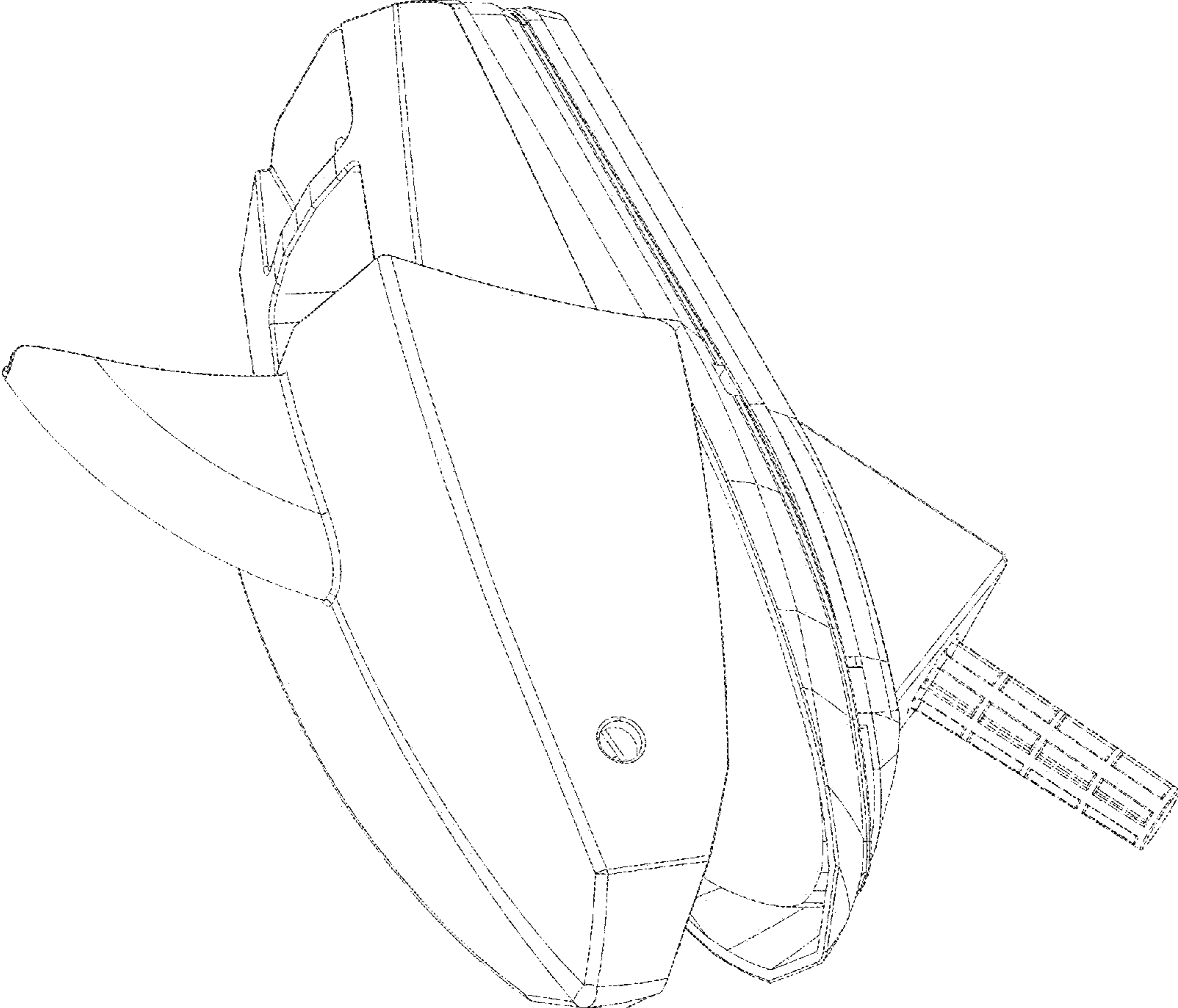


FIGURE 13

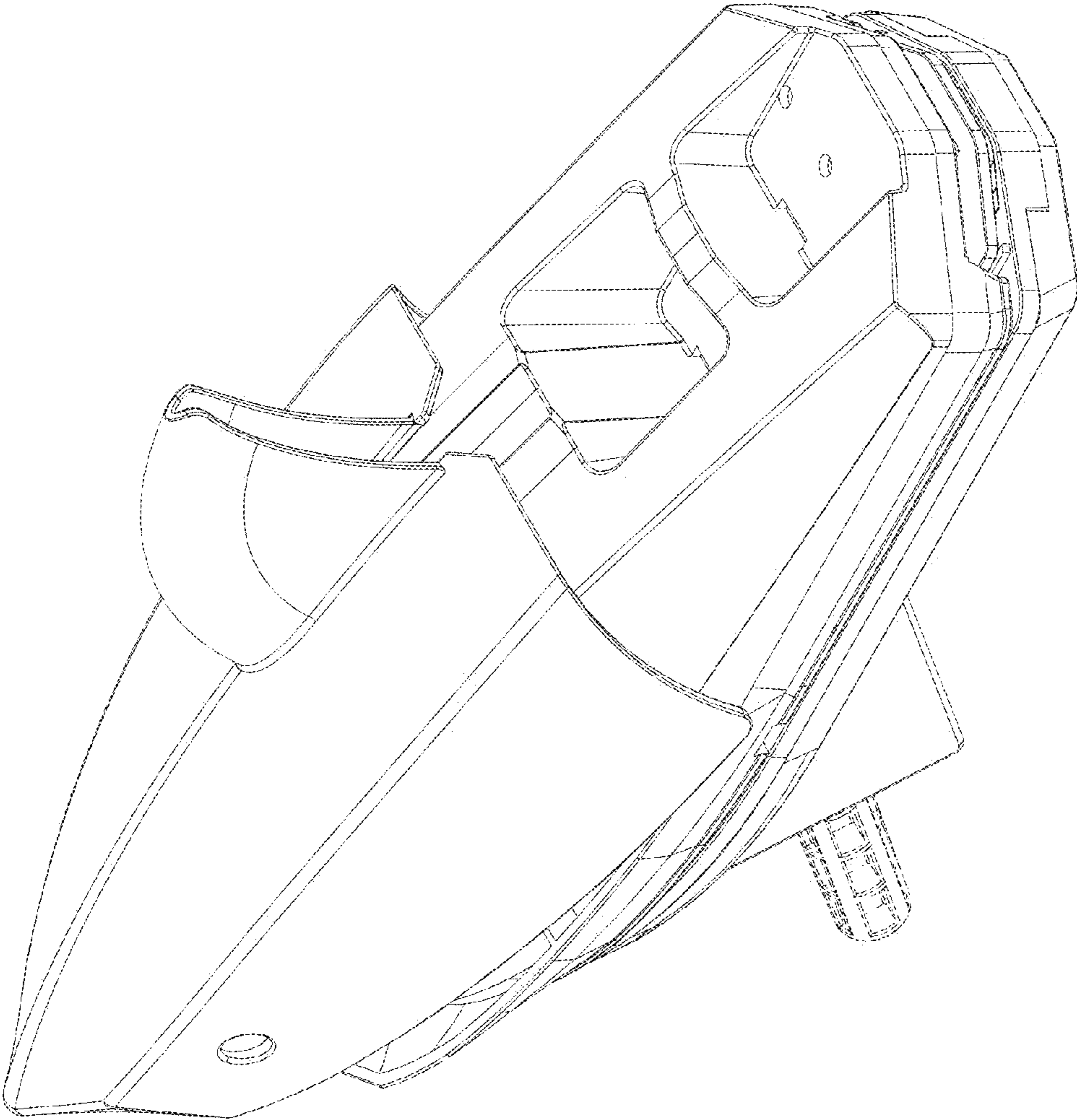


FIGURE 14

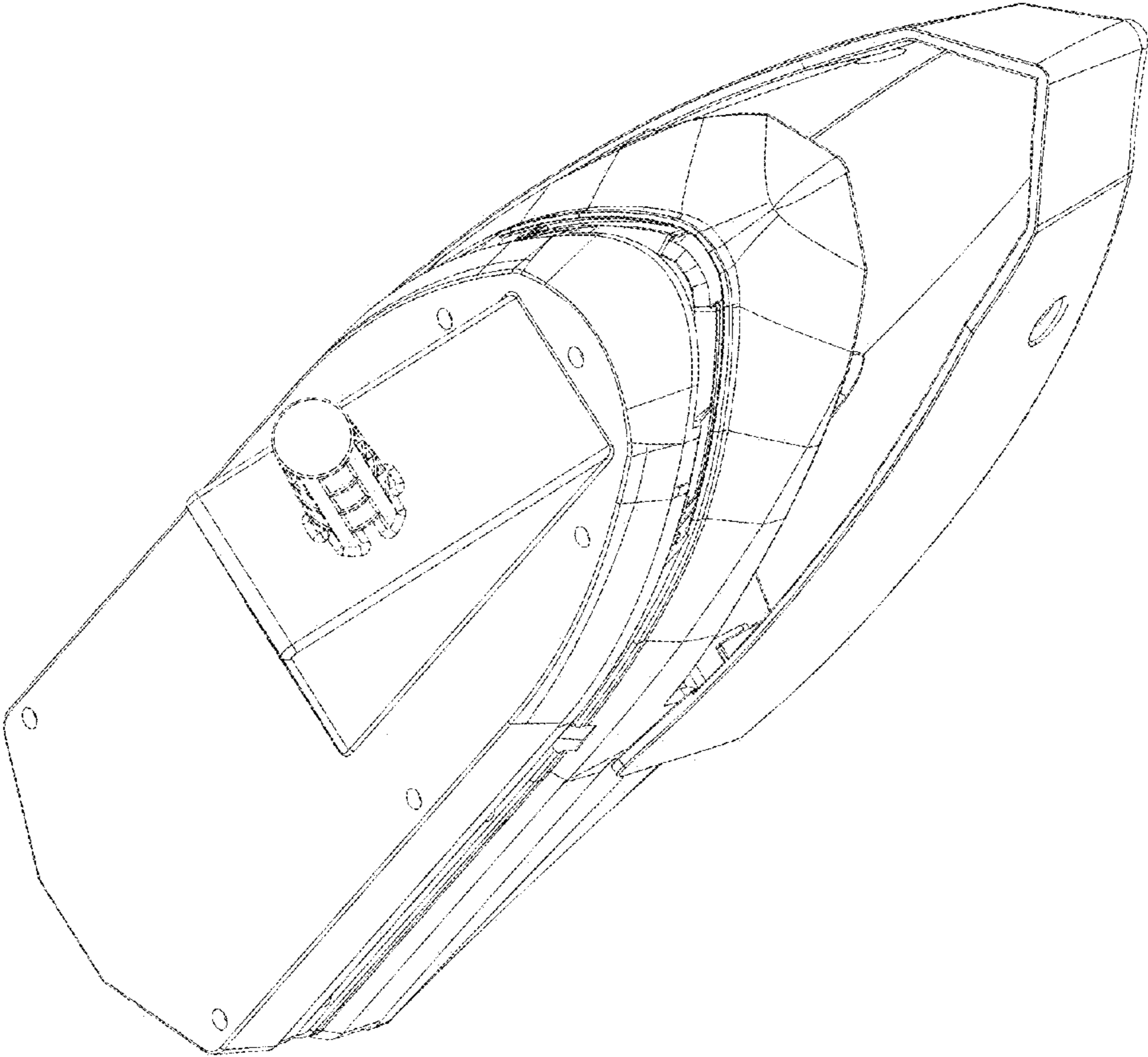


FIGURE 15

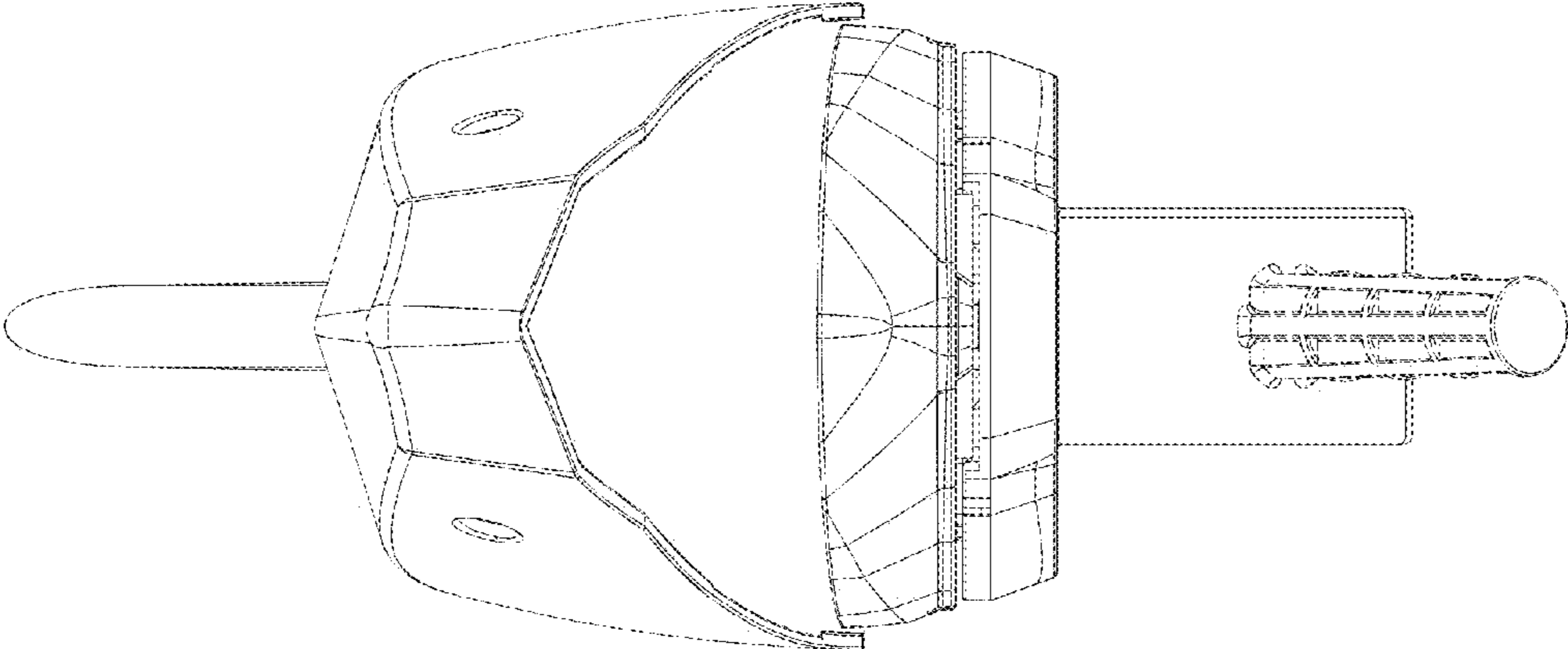


FIGURE 16

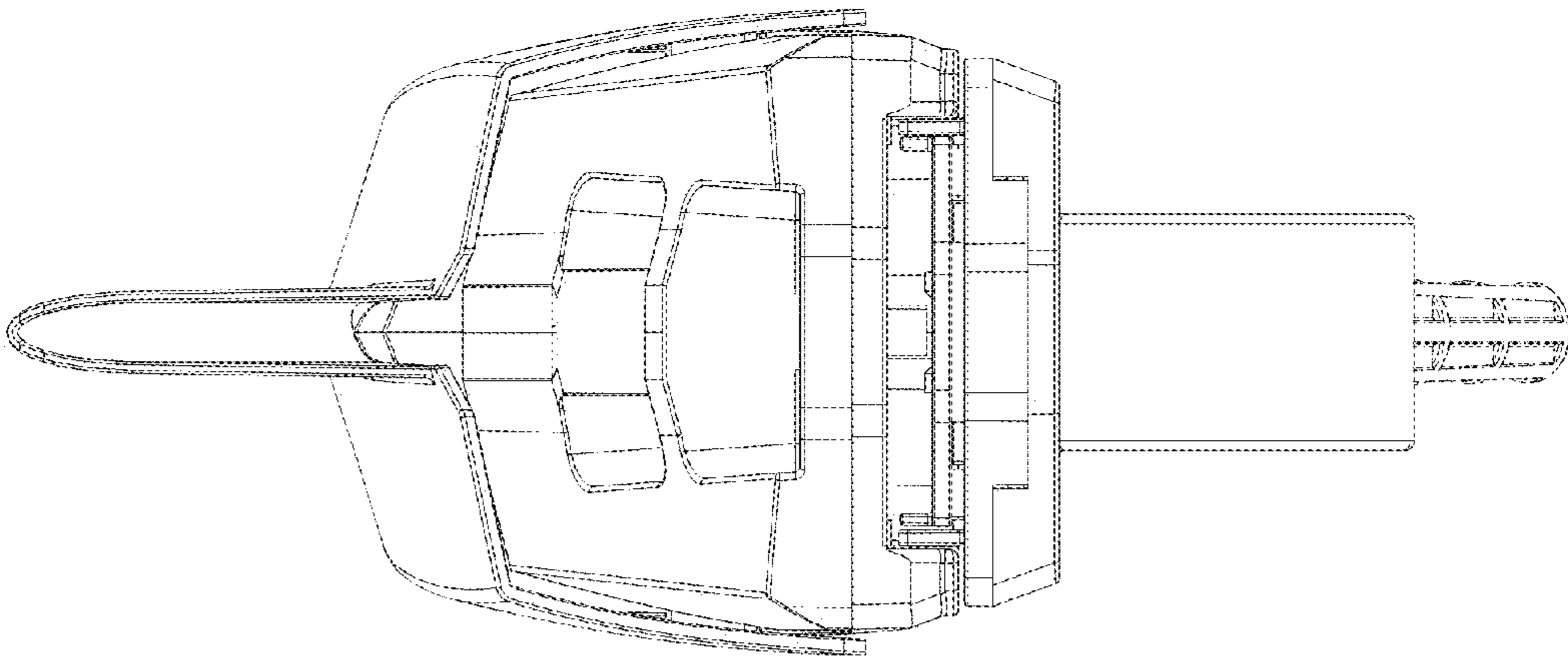


FIGURE 17

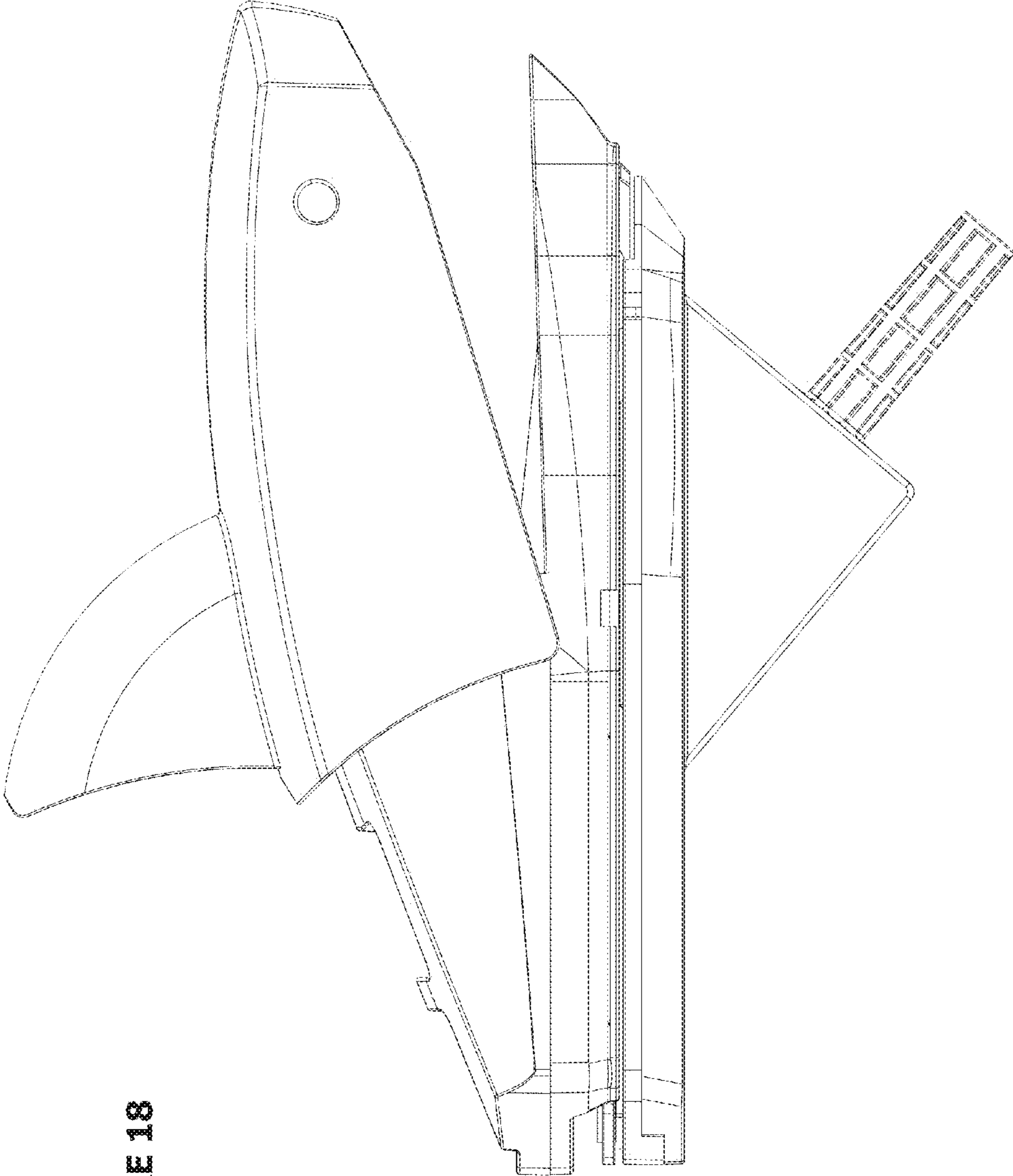


FIGURE 18

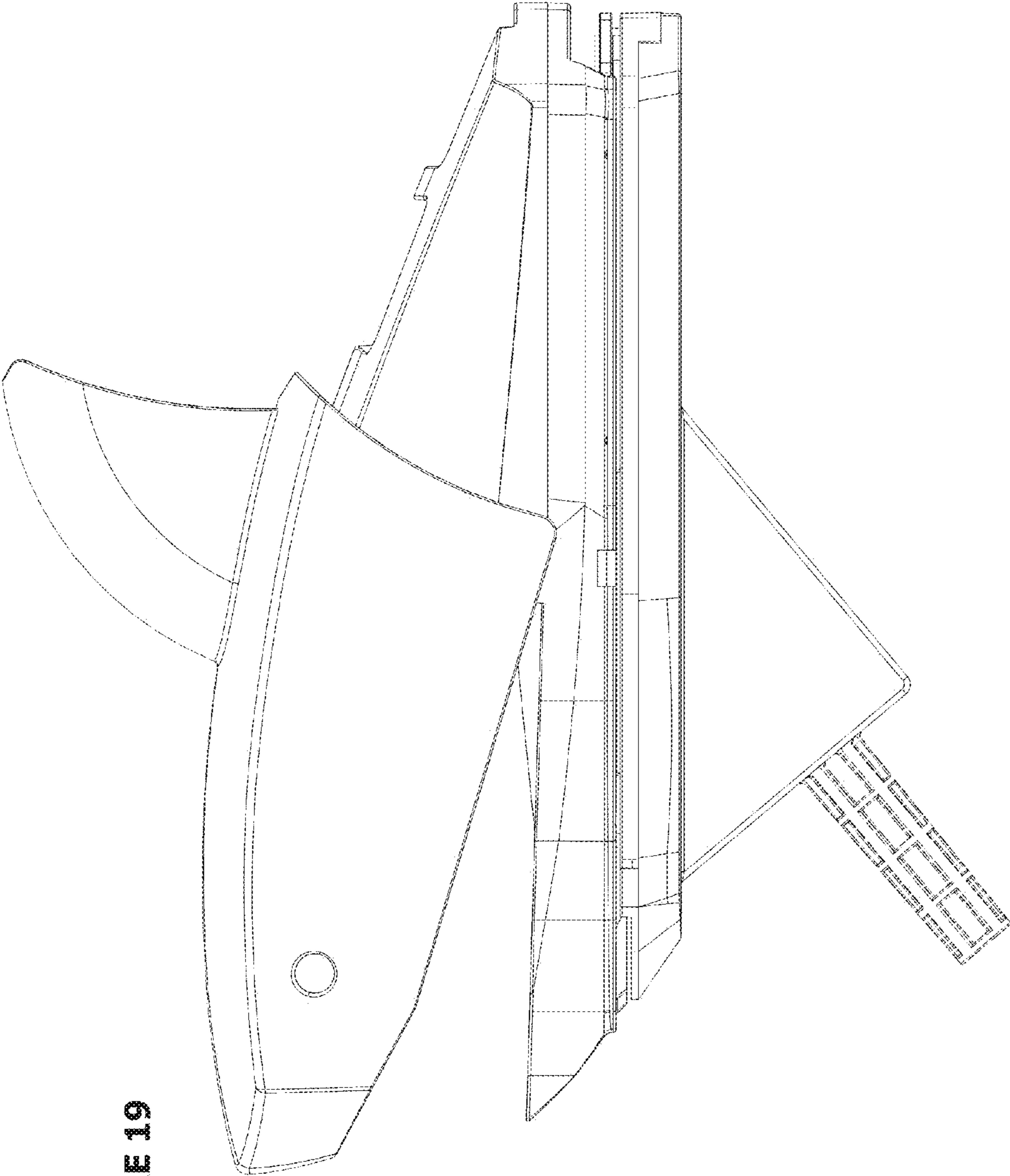


FIGURE 19

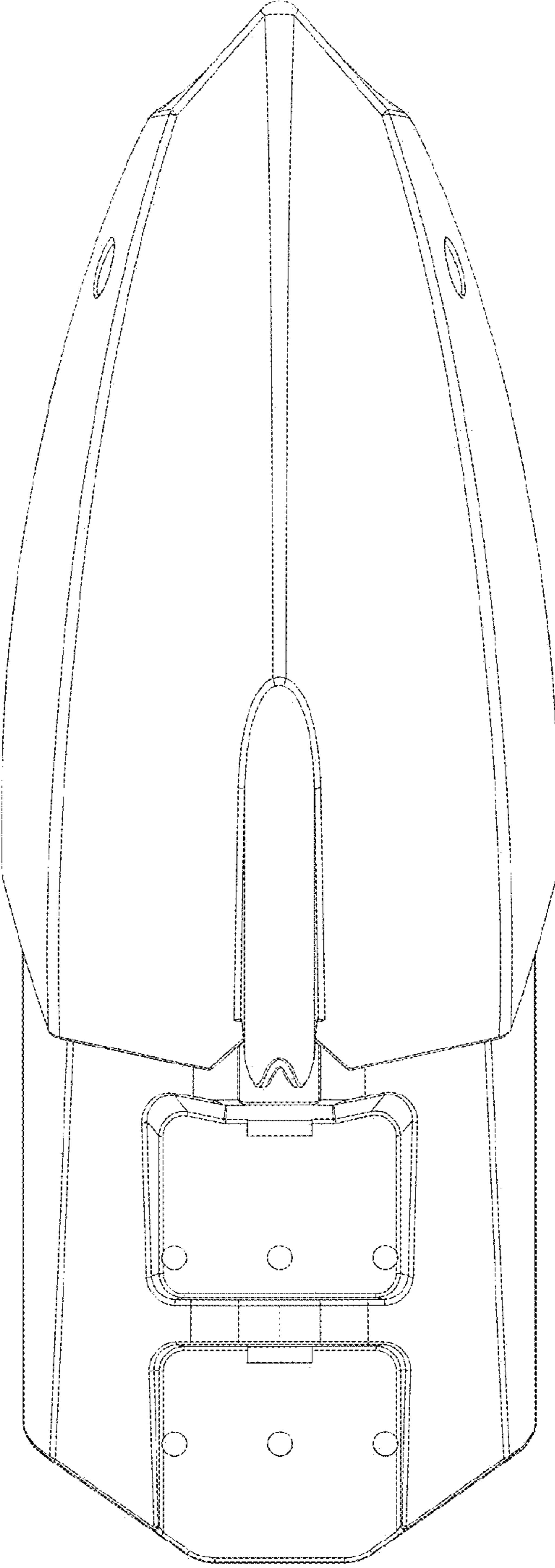


FIGURE 20

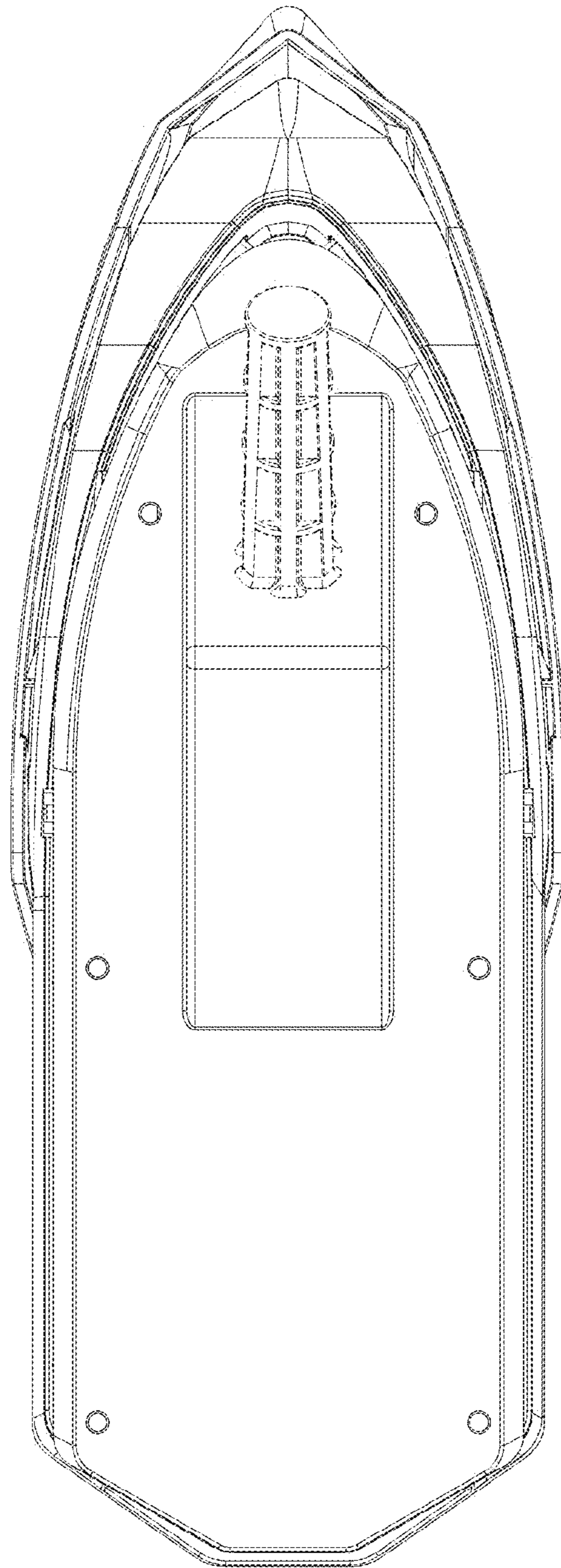


FIGURE 21