



US00D747774S

(12) **United States Design Patent**
Erickson et al.

(10) **Patent No.:** **US D747,774 S**
(45) **Date of Patent:** **** Jan. 19, 2016**

(54) **POST ARRANGEMENT FOR GAME**

(71) Applicant: **INNOVATIVE CAPITAL PARTNERS**,
East Longmeadow, MA (US)

(72) Inventors: **Jamie Erickson**, East Longmeadow, MA
(US); **Michael Poggi**, East Longmeadow,
MA (US)

(73) Assignee: **INNOVATIVE CAPITAL PARTNERS**,
East Longmeadow, MA (US)

(**) Term: **14 Years**

(21) Appl. No.: **29/498,838**

(22) Filed: **Aug. 8, 2014**

(51) **LOC (10) Cl.** **21-01**

(52) **U.S. Cl.**
USPC **D21/302**

(58) **Field of Classification Search**

USPC D21/300, 302, 303, 318, 334; 273/317,
273/331, 336, 398, 400, 402, 407, 408, 410,
273/118 R, 123 R, 236, 348, 386, 287;
473/569, 578, 592, 454

CPC A63B 63/00; A63B 67/00; A63B 71/00
See application file for complete search history.

(56) **References Cited**

U.S. PATENT DOCUMENTS
533,102 A * 1/1895 Thomson 273/407
D189,850 S * 3/1961 Jones D21/303

(Continued)

Primary Examiner — Prabhakar Deshmukh

(74) *Attorney, Agent, or Firm* — Grogan, Tuccillo &
Vanderleeden, LLP

(57) **CLAIM**

The ornamental design for a post arrangement for game, as
shown and described.

DESCRIPTION

The file of this patent contains at least one drawing/photo-
graph executed in color. The copies of this patent with color
drawing(s)/photograph(s) will be provided by the Office upon
request and payment of the necessary fee.

FIG. 1 is a top, front right perspective view of a post arrange-
ment for game showing our new design;

FIG. 2 is a front elevational view thereof;

FIG. 3 is a rear elevational view thereof;

FIG. 4 is a left side elevational view thereof;

FIG. 5 is a right side elevational view thereof;

FIG. 6 is a top plan view thereof;

FIG. 7 is a bottom plan view thereof;

FIG. 8 is a perspective view of a second embodiment of a post
arrangement for game;

FIG. 9 is a front elevational view of FIG. 8;

FIG. 10 is a rear elevational of FIG. 8;

FIG. 11 is a left side elevational view of FIG. 8;

FIG. 12 is a right side elevational view of FIG. 8;

FIG. 13 is a top plan view of FIG. 8;

FIG. 14 is a bottom plan view of FIG. 8;

FIG. 15 is a perspective view of a third embodiment of a post
arrangement for game;

FIG. 16 is a front elevational view of FIG. 15;

FIG. 17 is a rear elevational of FIG. 15;

FIG. 18 is a left side elevational view of FIG. 15;

FIG. 19 is a right side elevational view of FIG. 15;

FIG. 20 is a top plan view of FIG. 15;

FIG. 21 is a bottom plan view of FIG. 15;

FIG. 22 is a perspective view of a fourth embodiment of a post
arrangement for game;

FIG. 23 is a front elevational view of FIG. 22;

FIG. 24 is a rear elevational of FIG. 22;

FIG. 25 is a left side elevational view of FIG. 22;

FIG. 26 is a right side elevational view of FIG. 22;

FIG. 27 is a top plan view of FIG. 22;

FIG. 28 is a bottom plan view of FIG. 22;

FIG. 29 is a perspective view of a fifth embodiment of a post
arrangement for game;

FIG. 30 is a front elevational view of FIG. 29;

FIG. 31 is a rear elevational of FIG. 29;

FIG. 32 is a left side elevational view of FIG. 29;

FIG. 33 is a right side elevational view of FIG. 29;

FIG. 34 is a top plan view of FIG. 29;

FIG. 35 is a bottom plan view of FIG. 29;

FIG. 36 is a perspective view of a sixth embodiment of a post
arrangement for game;

FIG. 37 is a front elevational view of FIG. 36;

FIG. 38 is a rear elevational of FIG. 36;

FIG. 39 is a left side elevational view of FIG. 36;

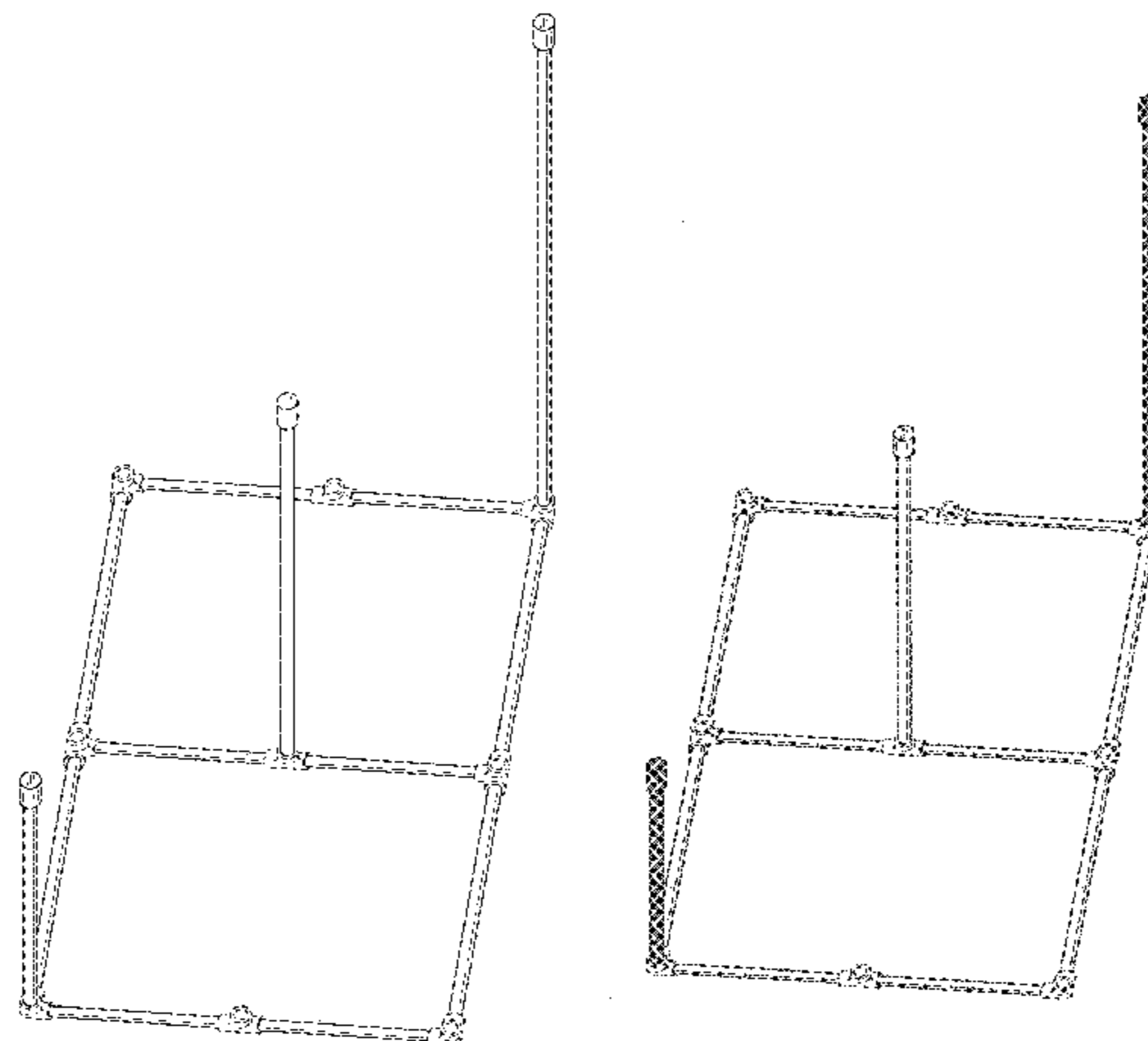
FIG. 40 is a right side elevational view of FIG. 36;

FIG. 41 is a top plan view of FIG. 36; and,

FIG. 42 is a bottom plan view of FIG. 36.

The broken lines indicate the unclaimed portions and form no
part of the claimed design.

1 Claim, 42 Drawing Sheets
(18 of 42 Drawing Sheet(s) Filed in Color)



(56)

References Cited

U.S. PATENT DOCUMENTS

5,441,267 A * 8/1995 Alder 473/173
6,388,759 B1 * 5/2002 Yoshida et al. 358/1.13
6,435,512 B1 * 8/2002 Beckwith, Sr. 273/407
D478,938 S * 8/2003 Vande Hey et al. D21/302

6,663,513 B2 * 12/2003 Howard 473/454
D570,417 S * 6/2008 Poe et al. D21/302
D576,685 S * 9/2008 Queally D21/302
D626,181 S * 10/2010 Lima D21/302
D635,196 S * 3/2011 Voden D21/302
D671,598 S * 11/2012 Makaruk D21/302

* cited by examiner

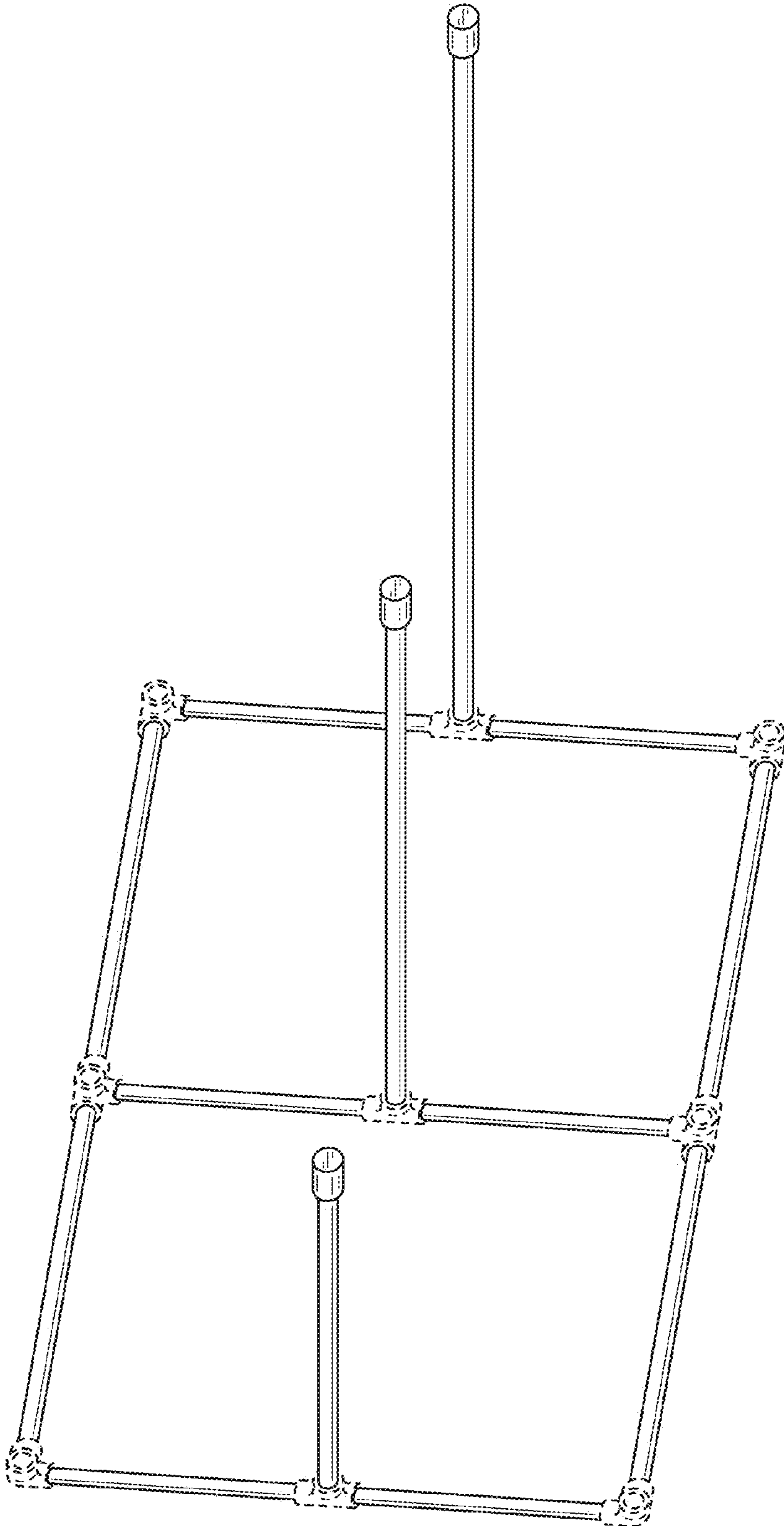


FIG. 1

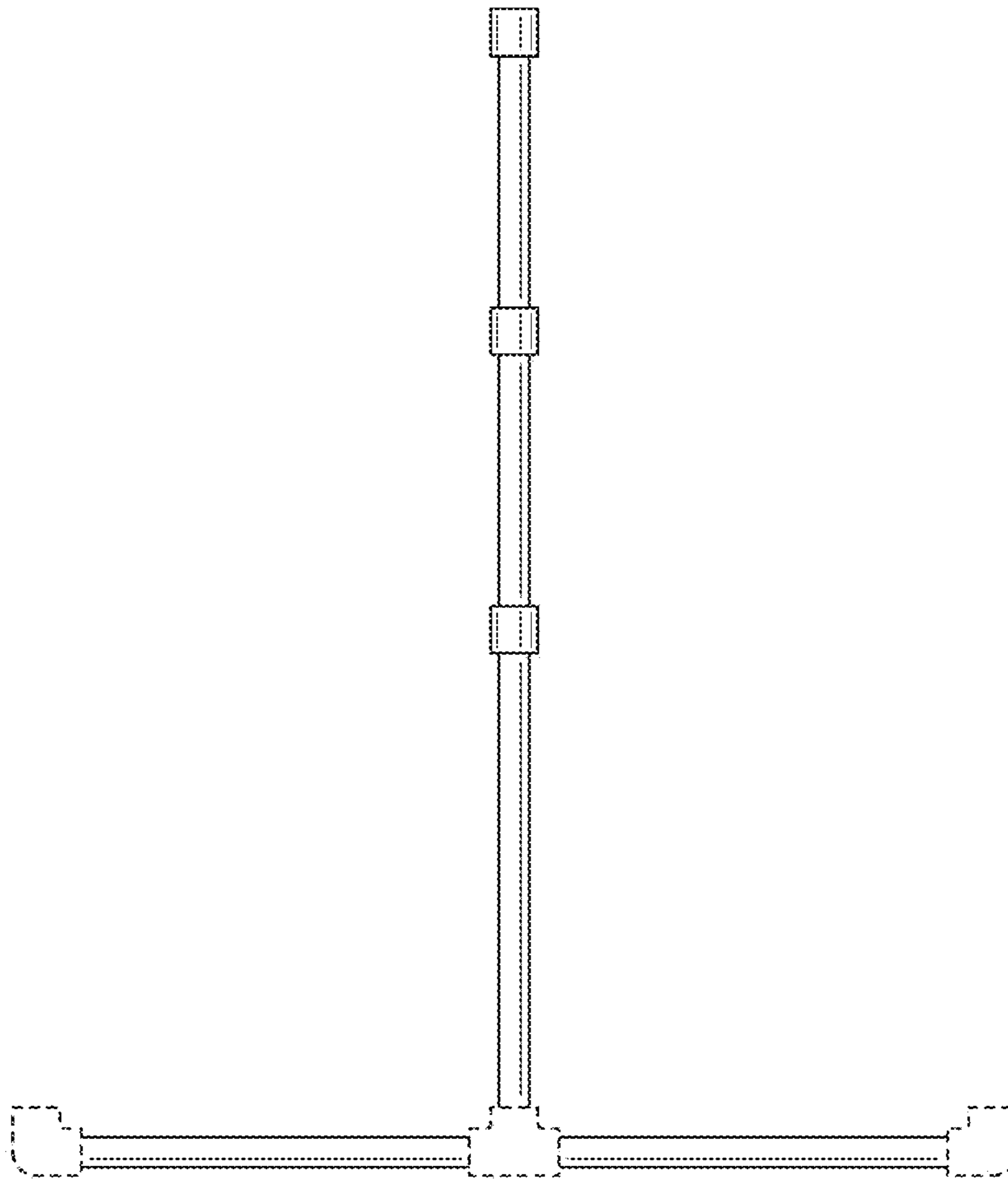


FIG. 2

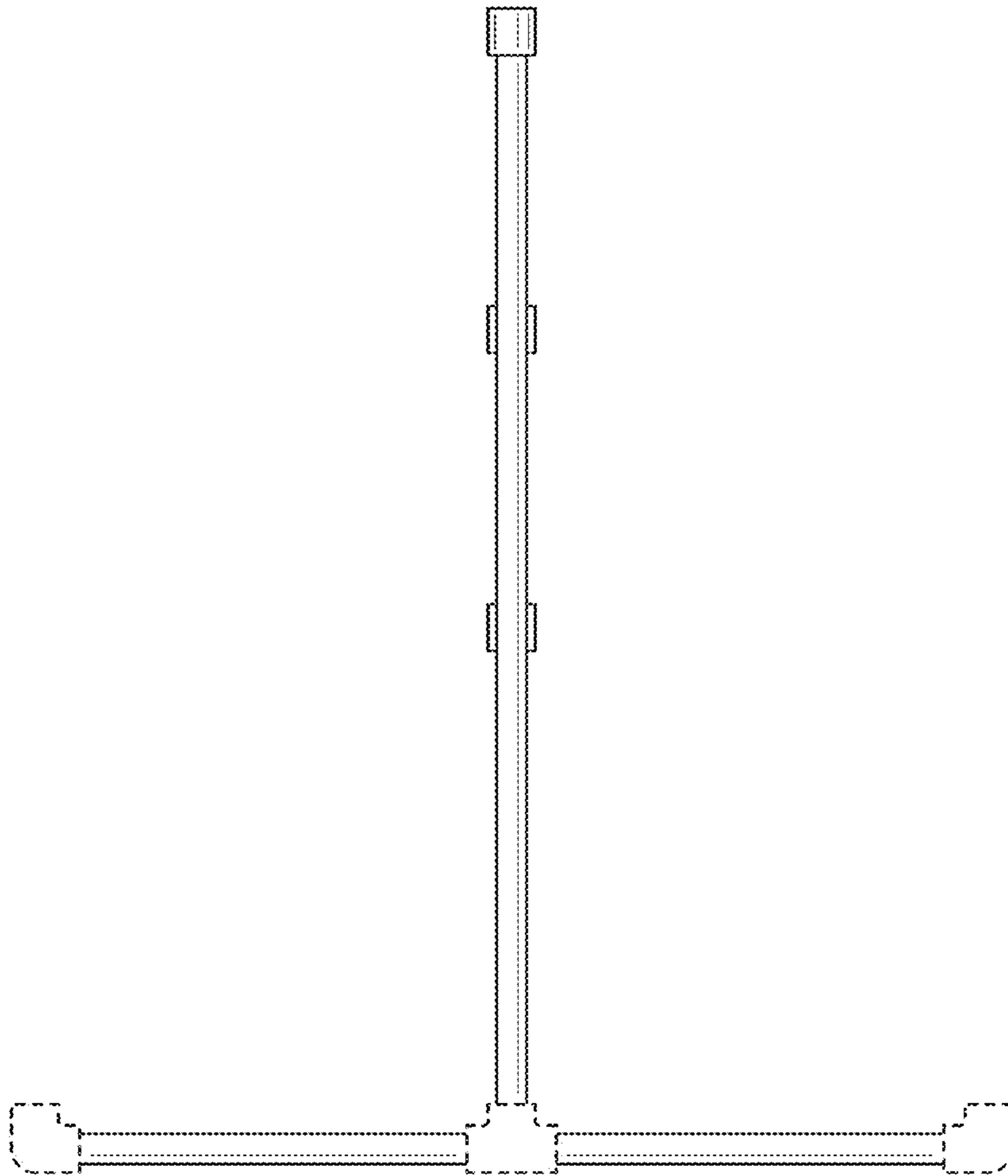


FIG. 3

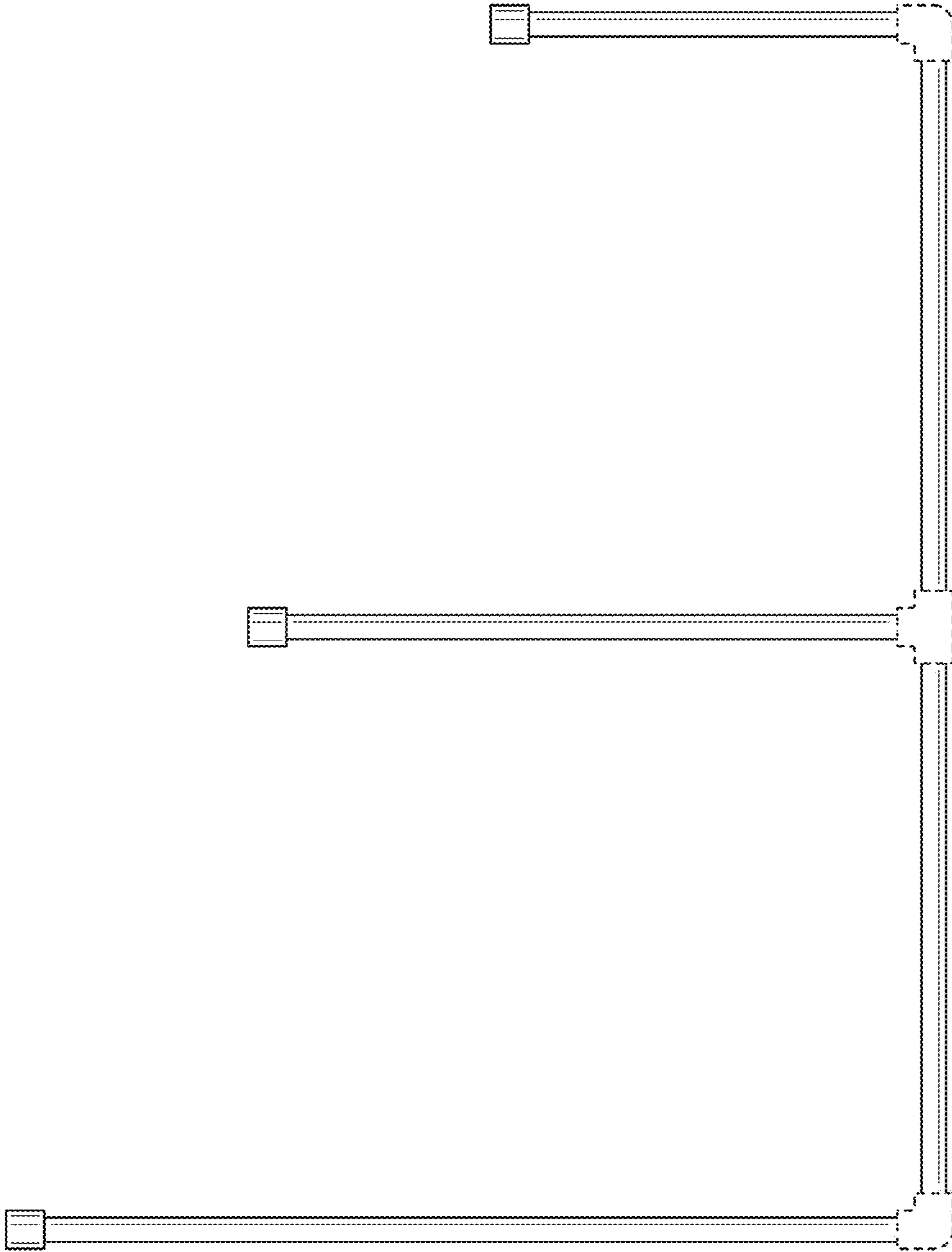


FIG. 4

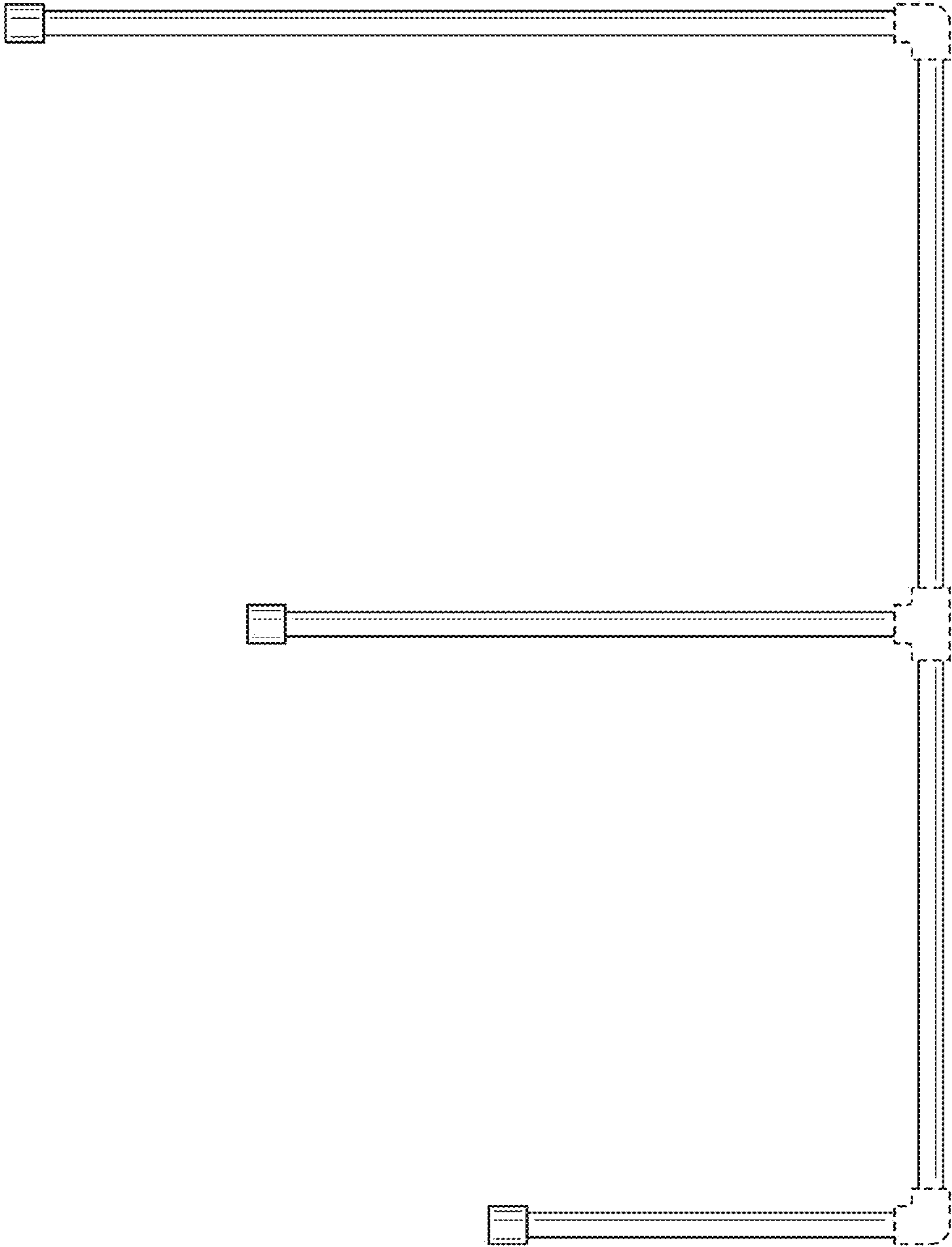


FIG. 5

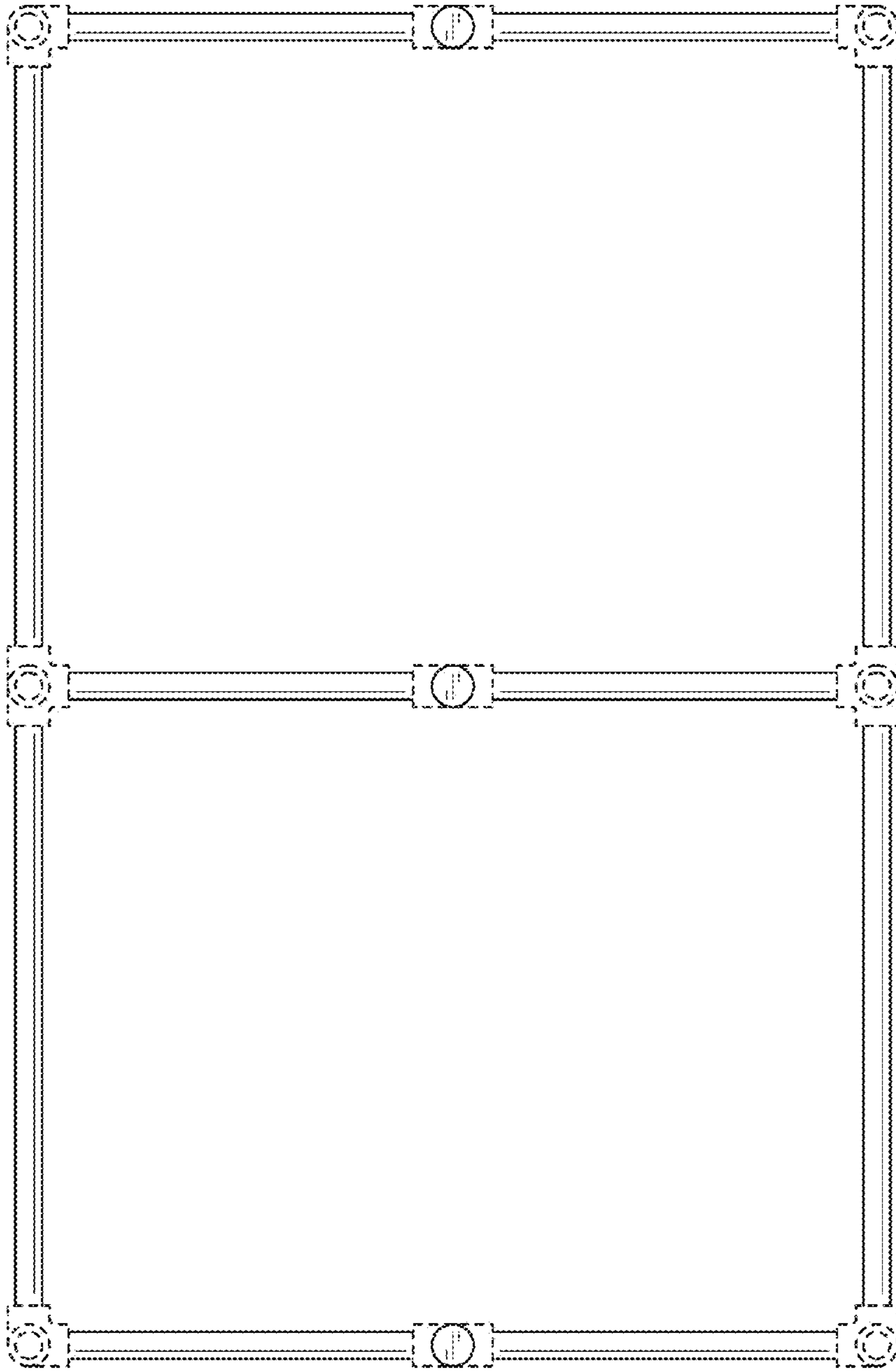


FIG. 6

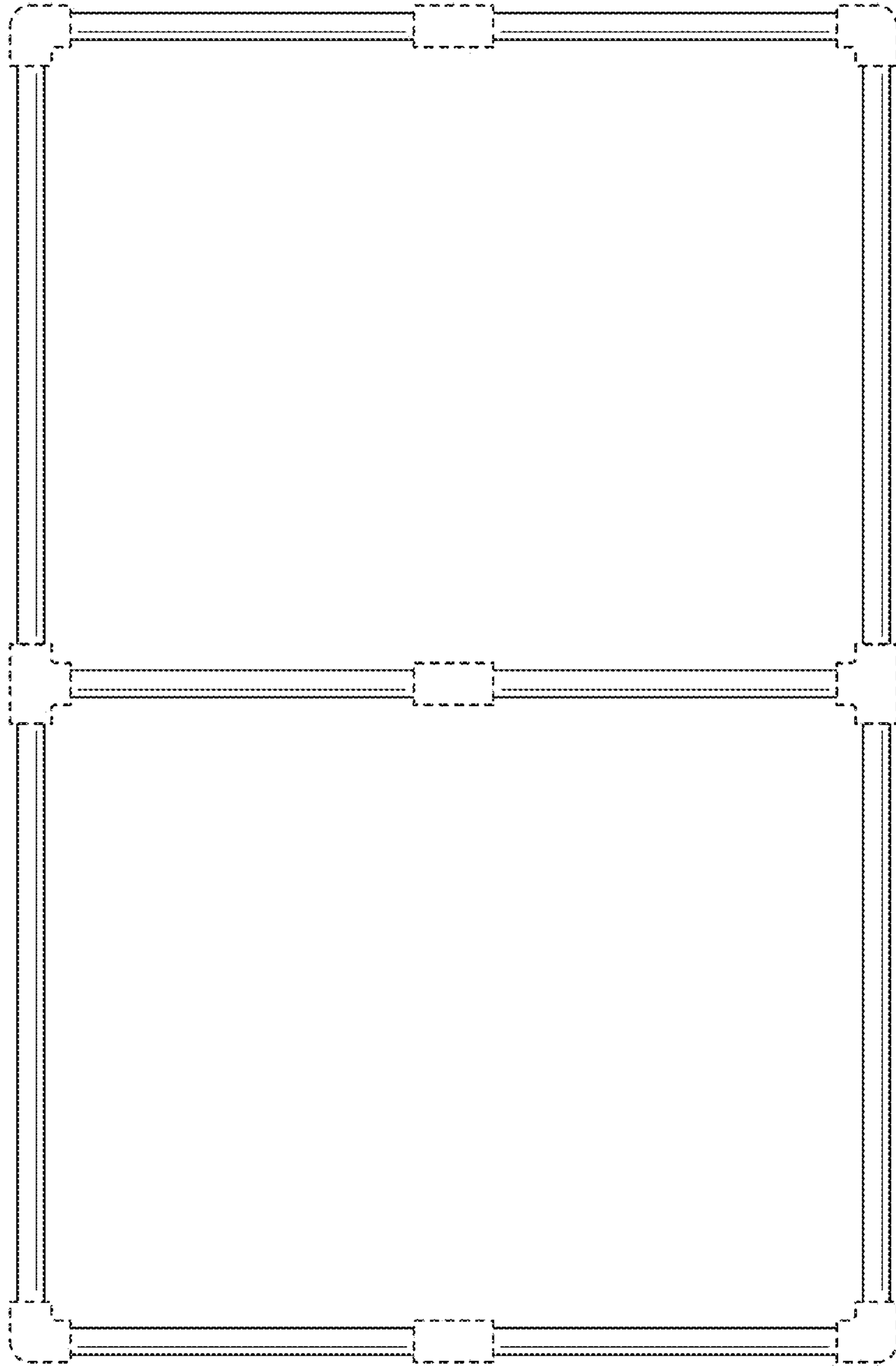


FIG. 7

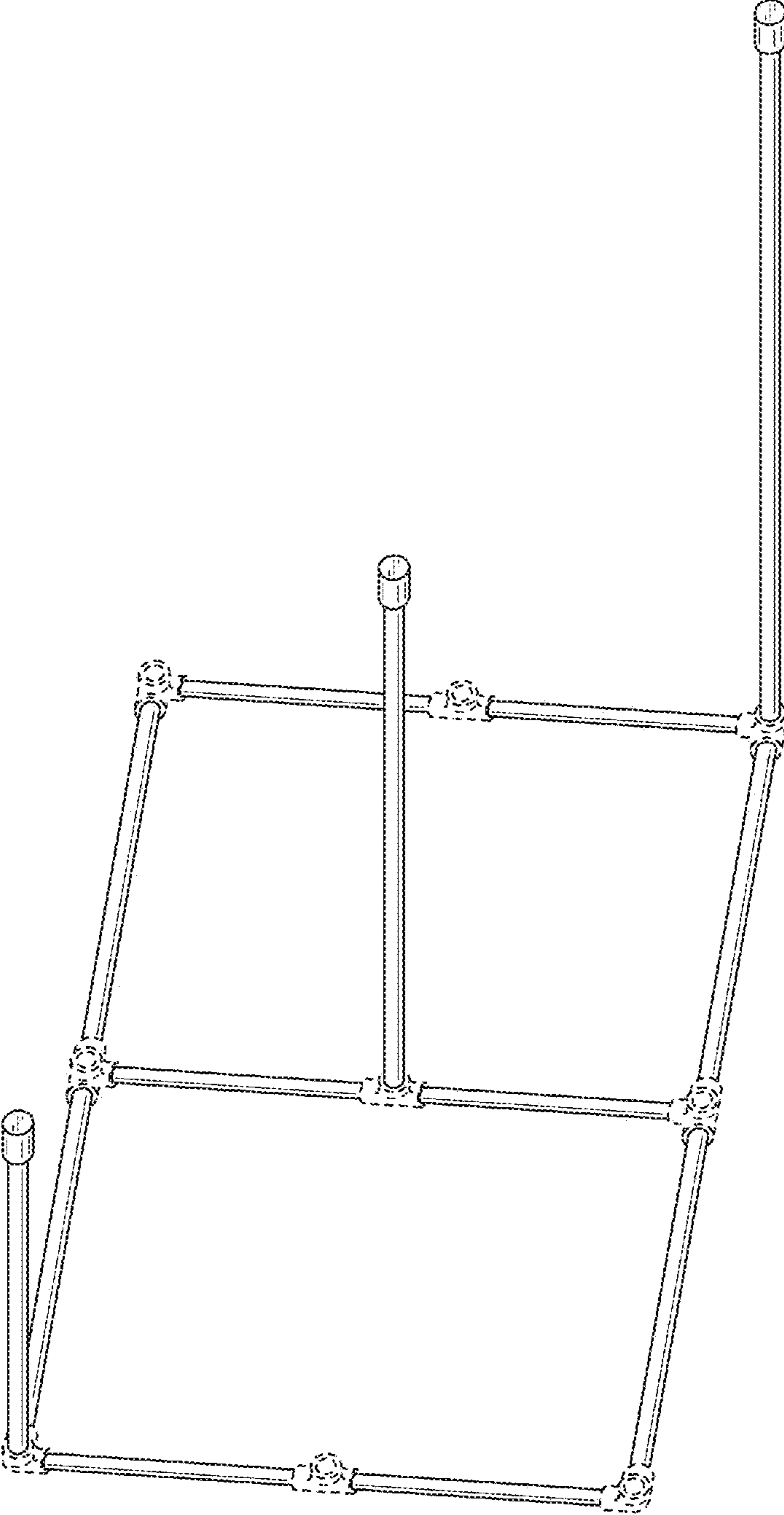


FIG. 8

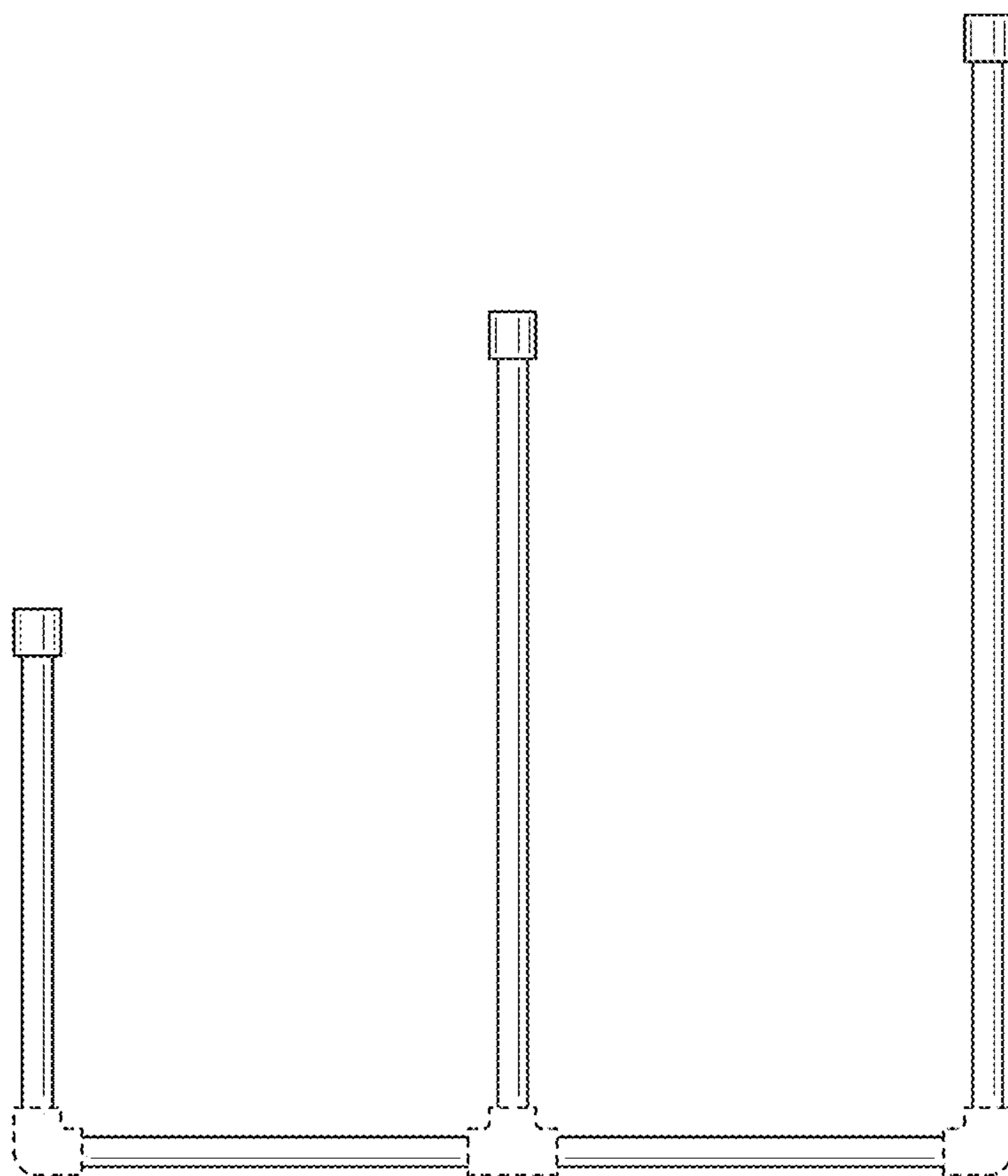


FIG. 9

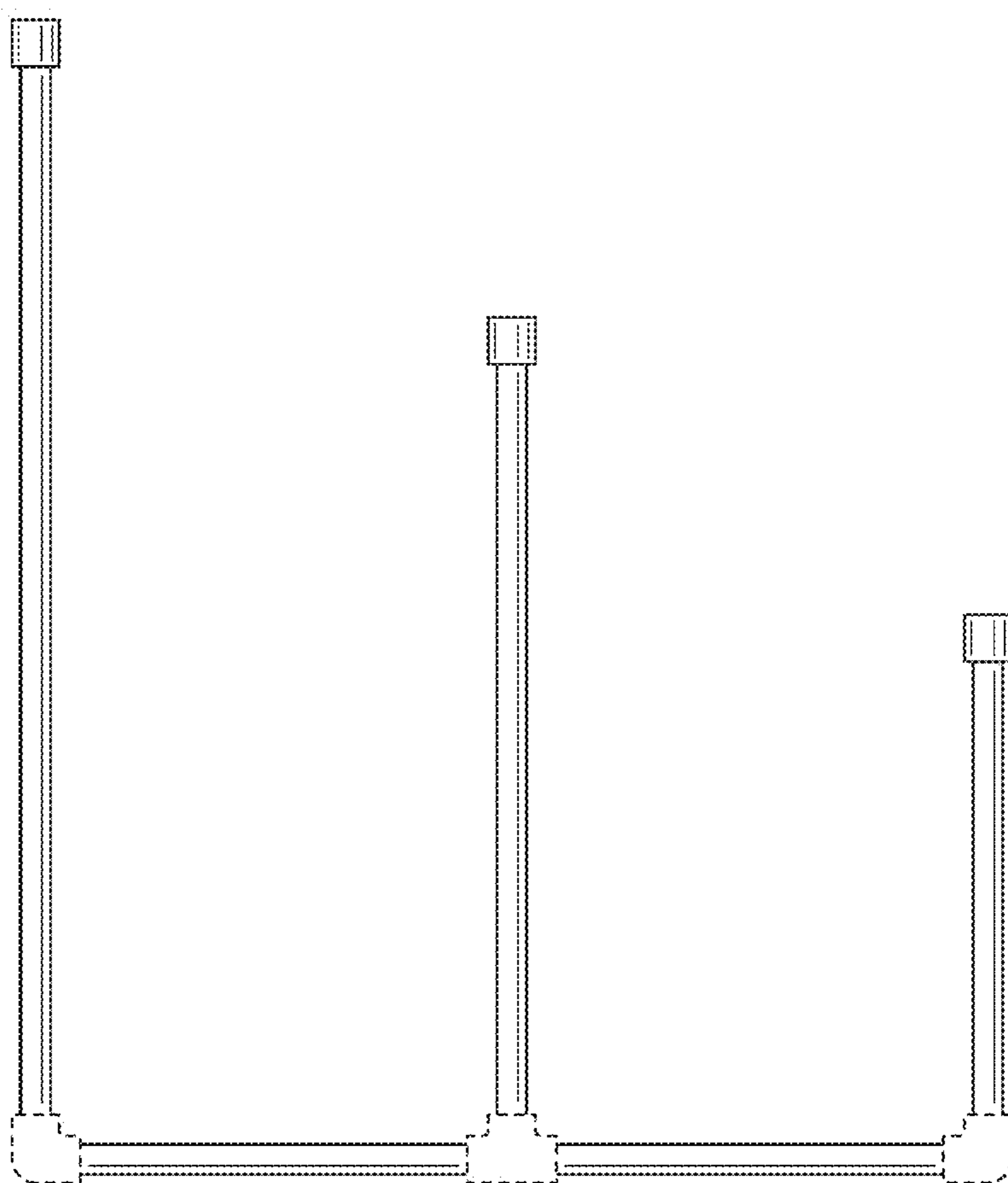


FIG. 10

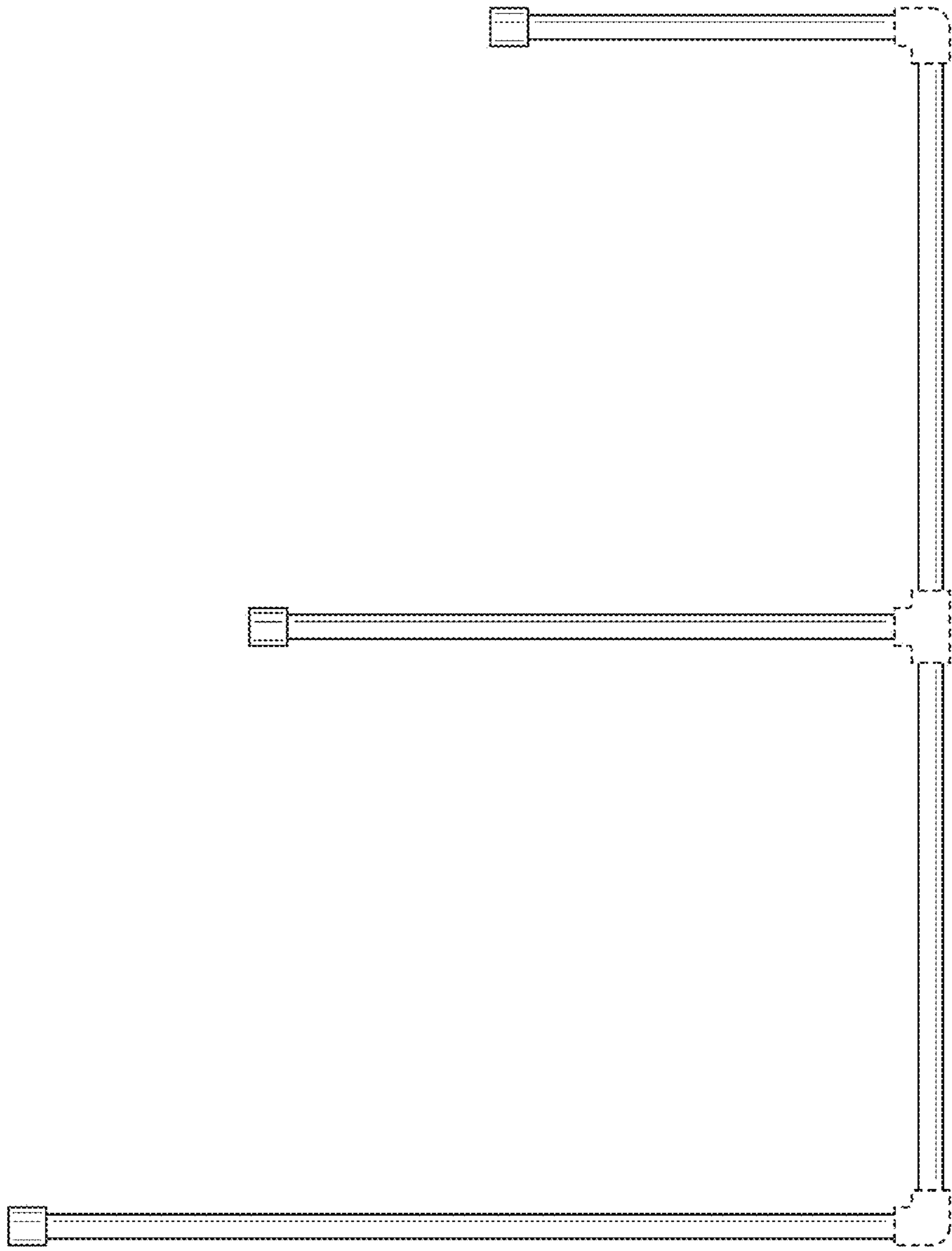


FIG. 11

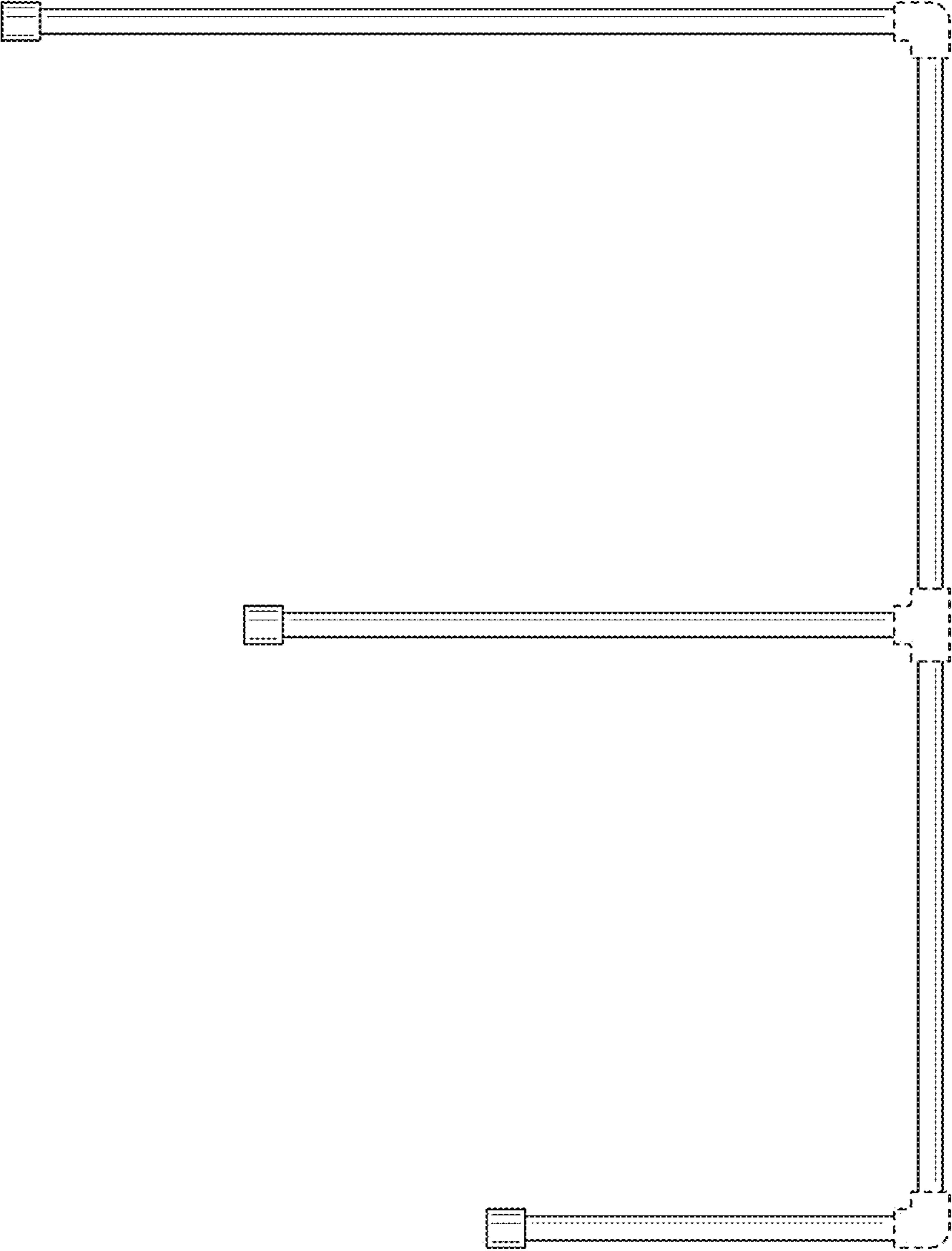


FIG. 12

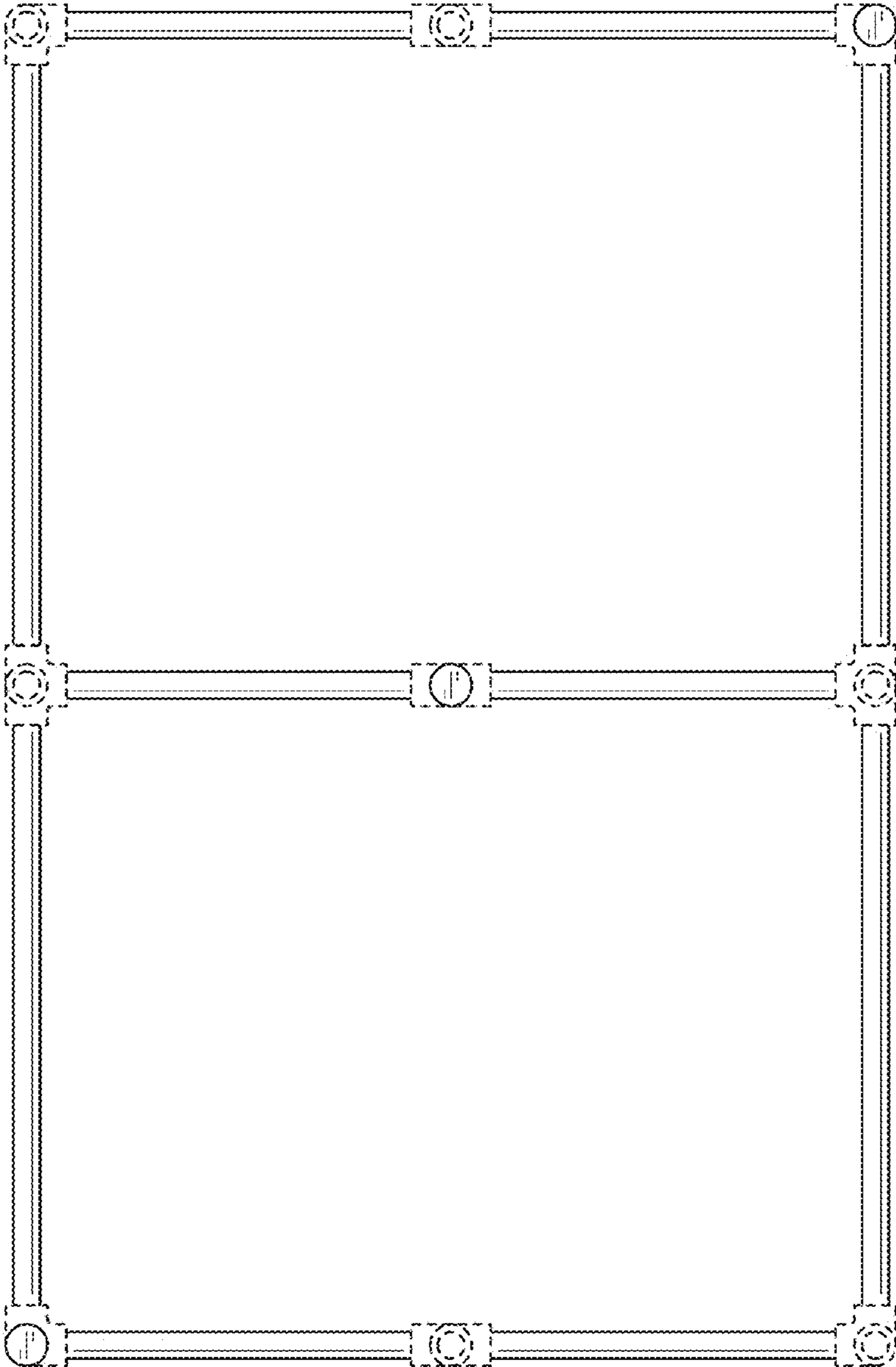


FIG. 13

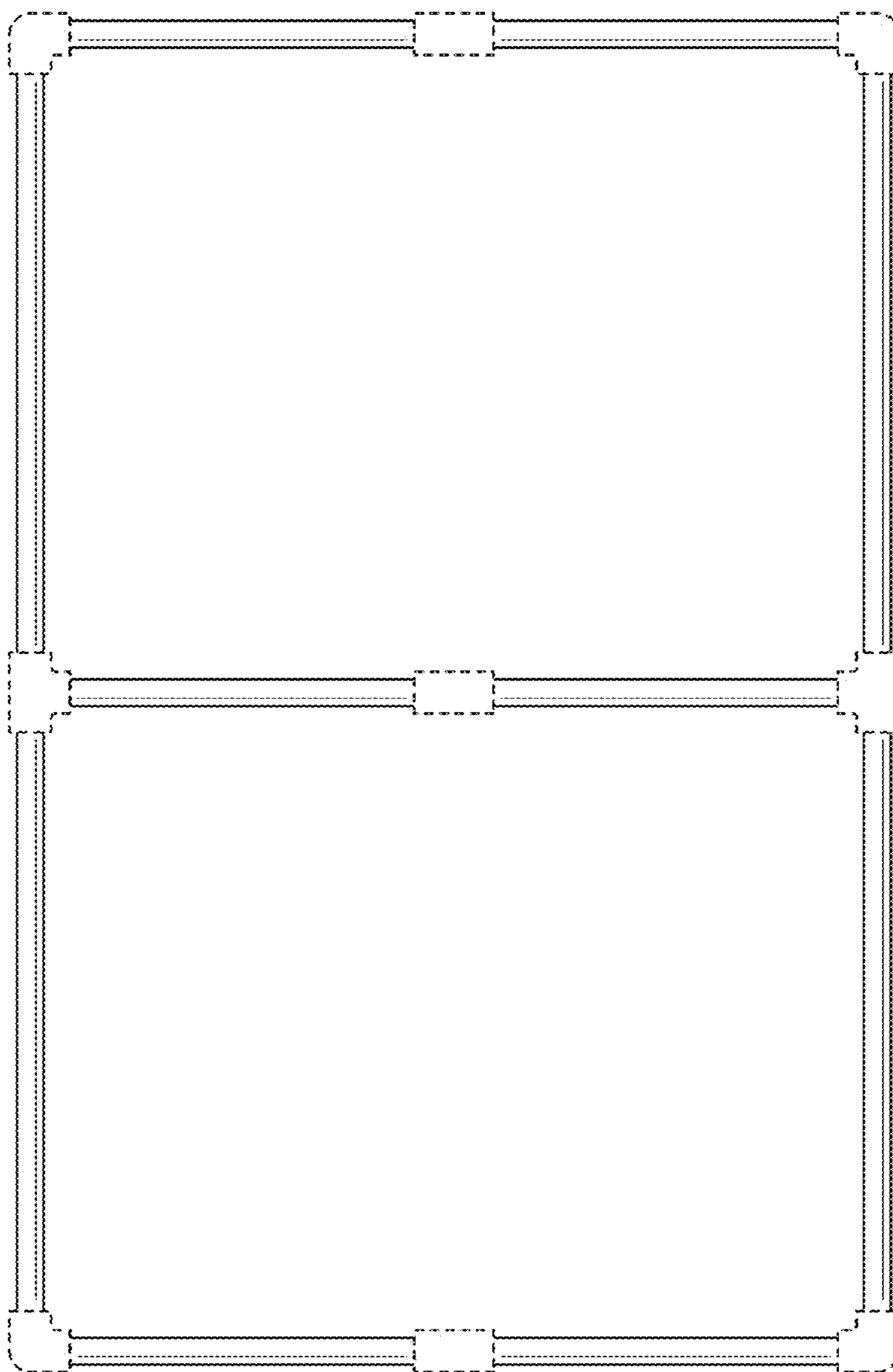


FIG. 14

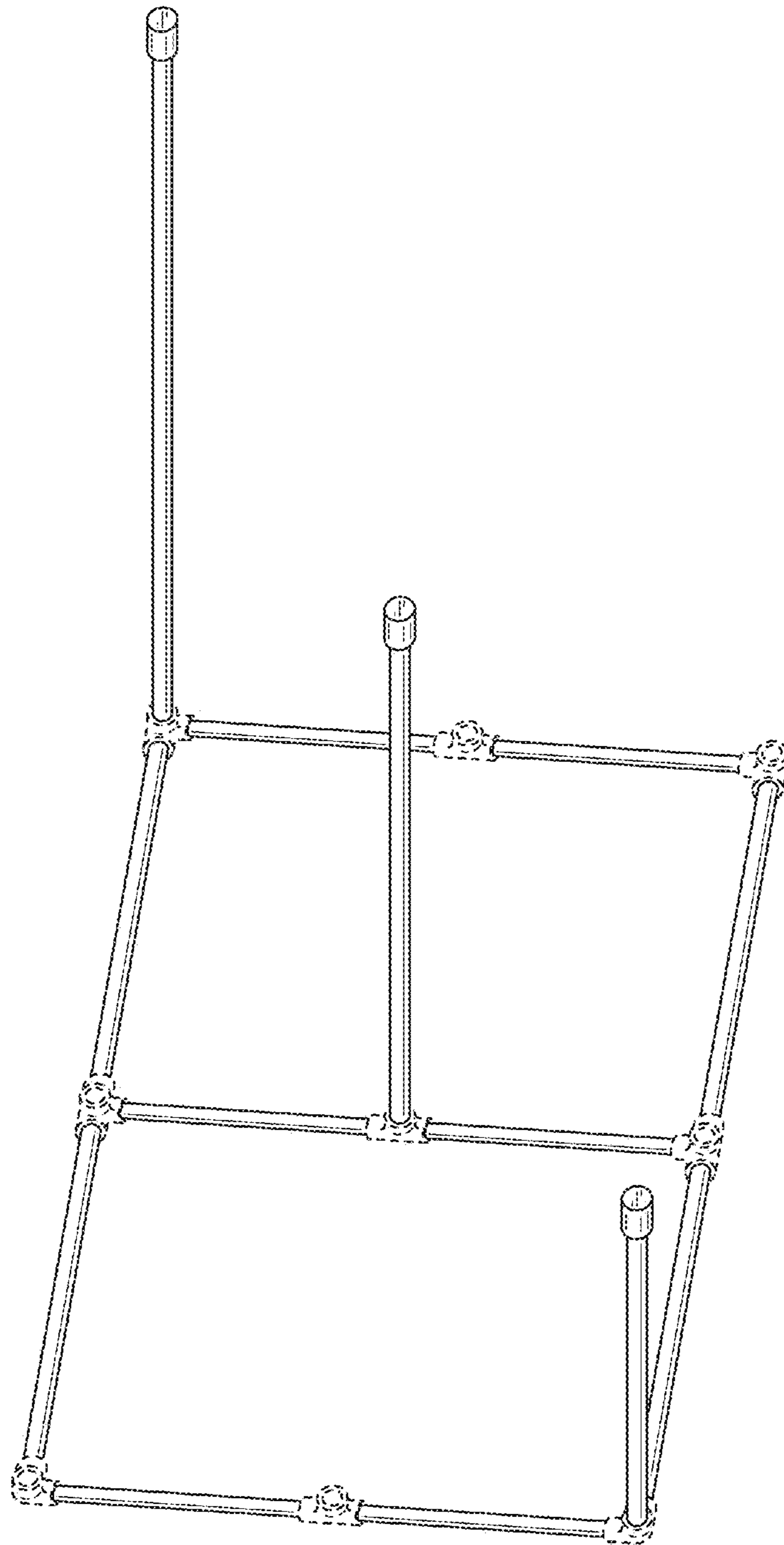


FIG. 15

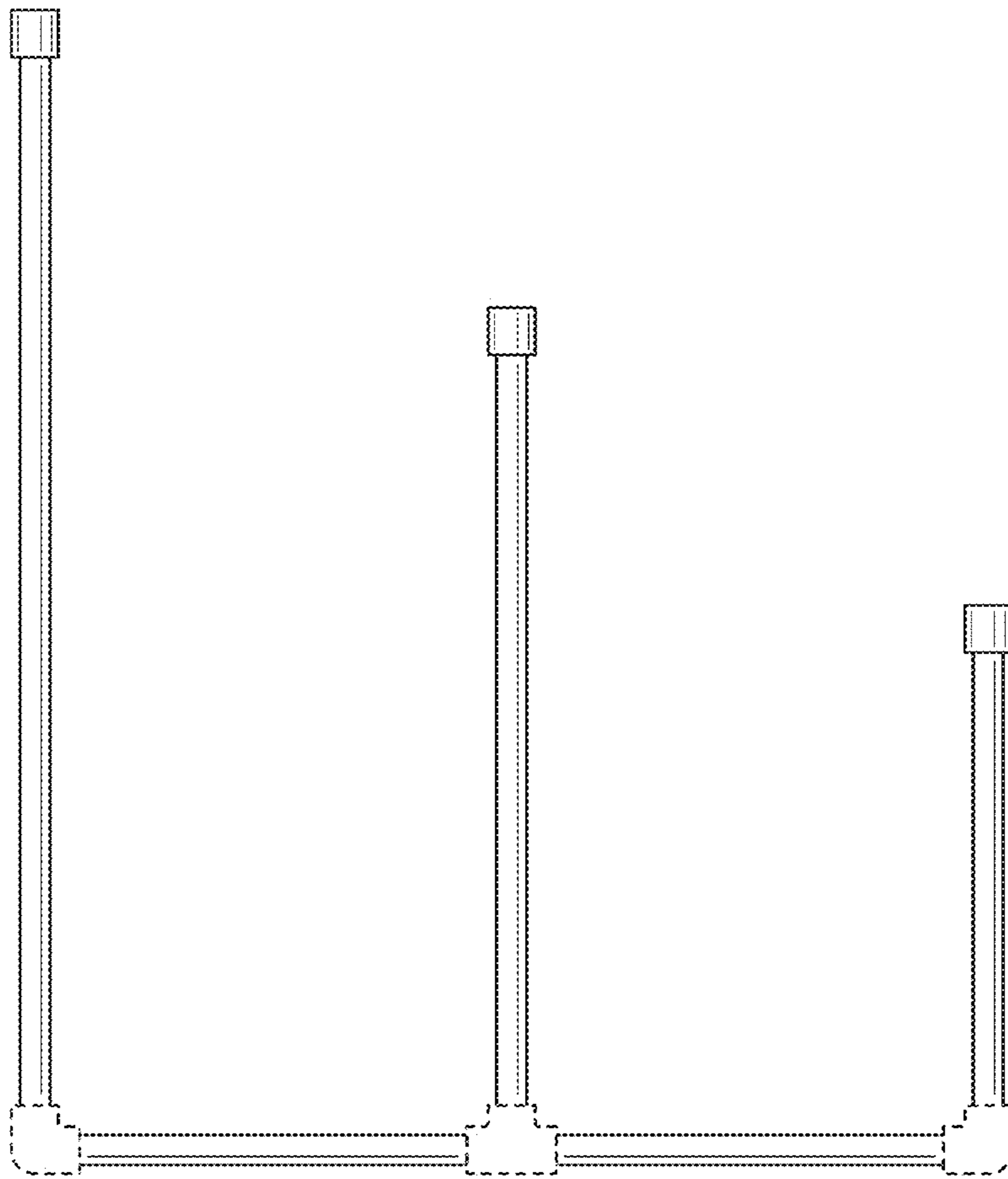


FIG. 16

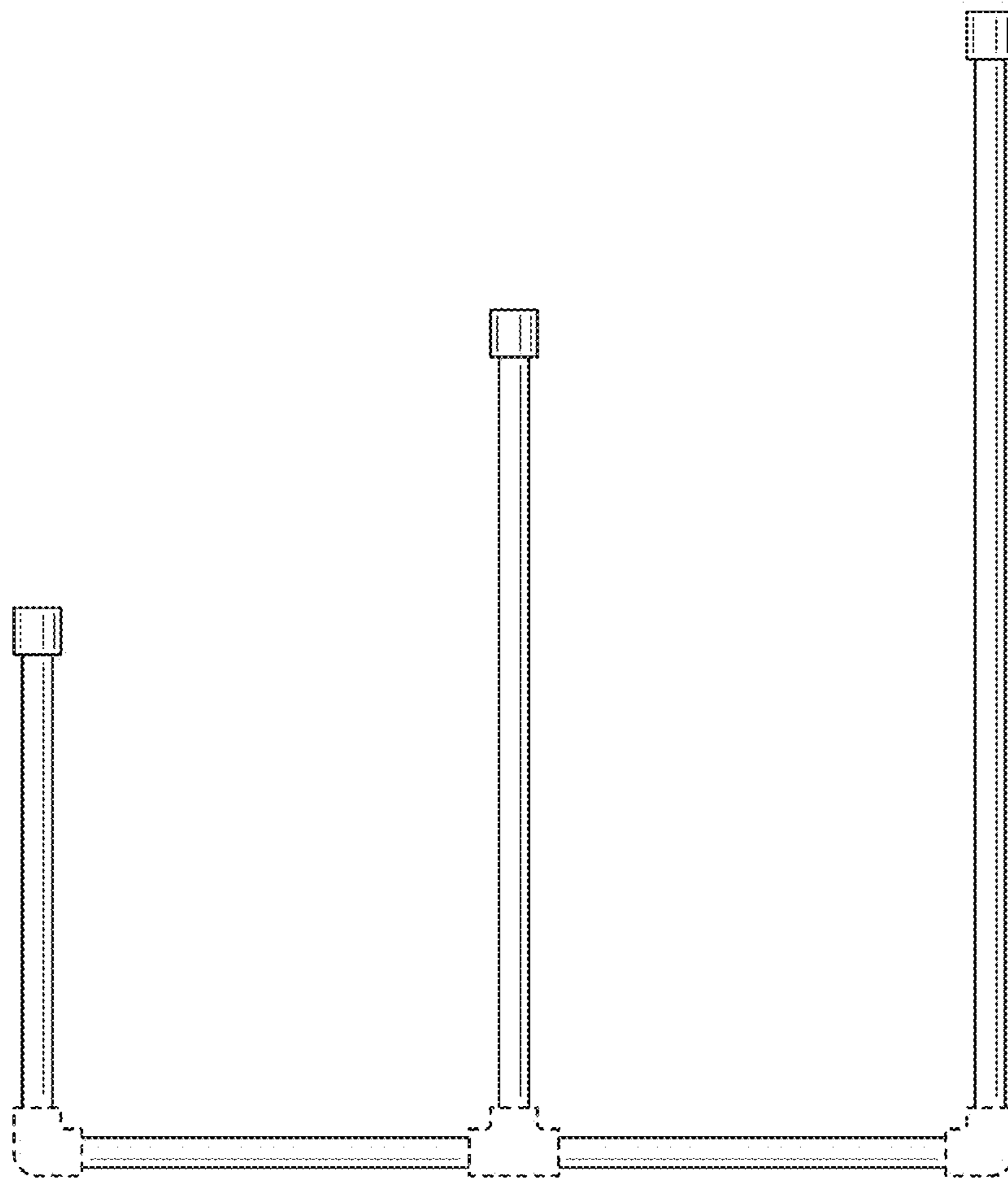


FIG. 17

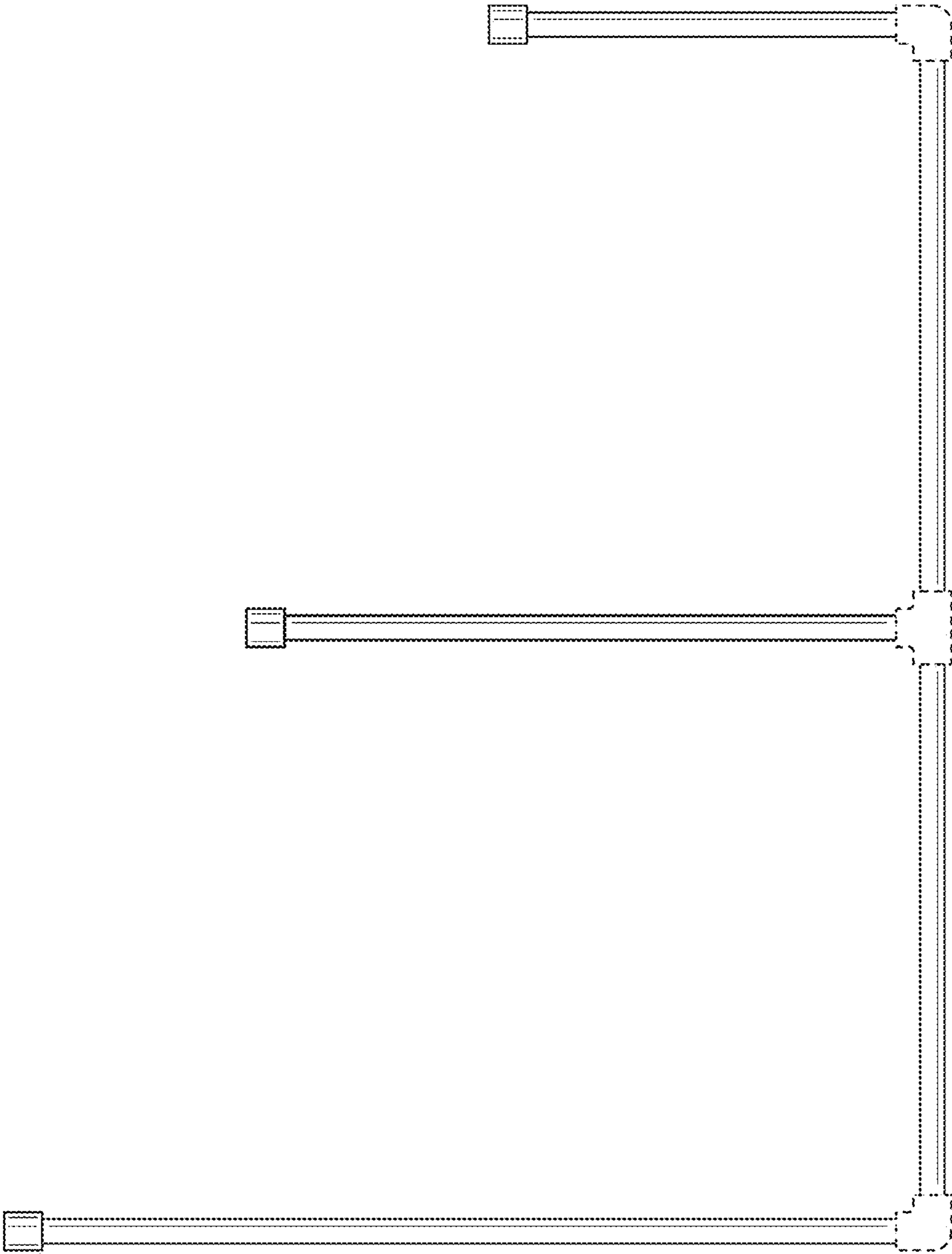


FIG. 18

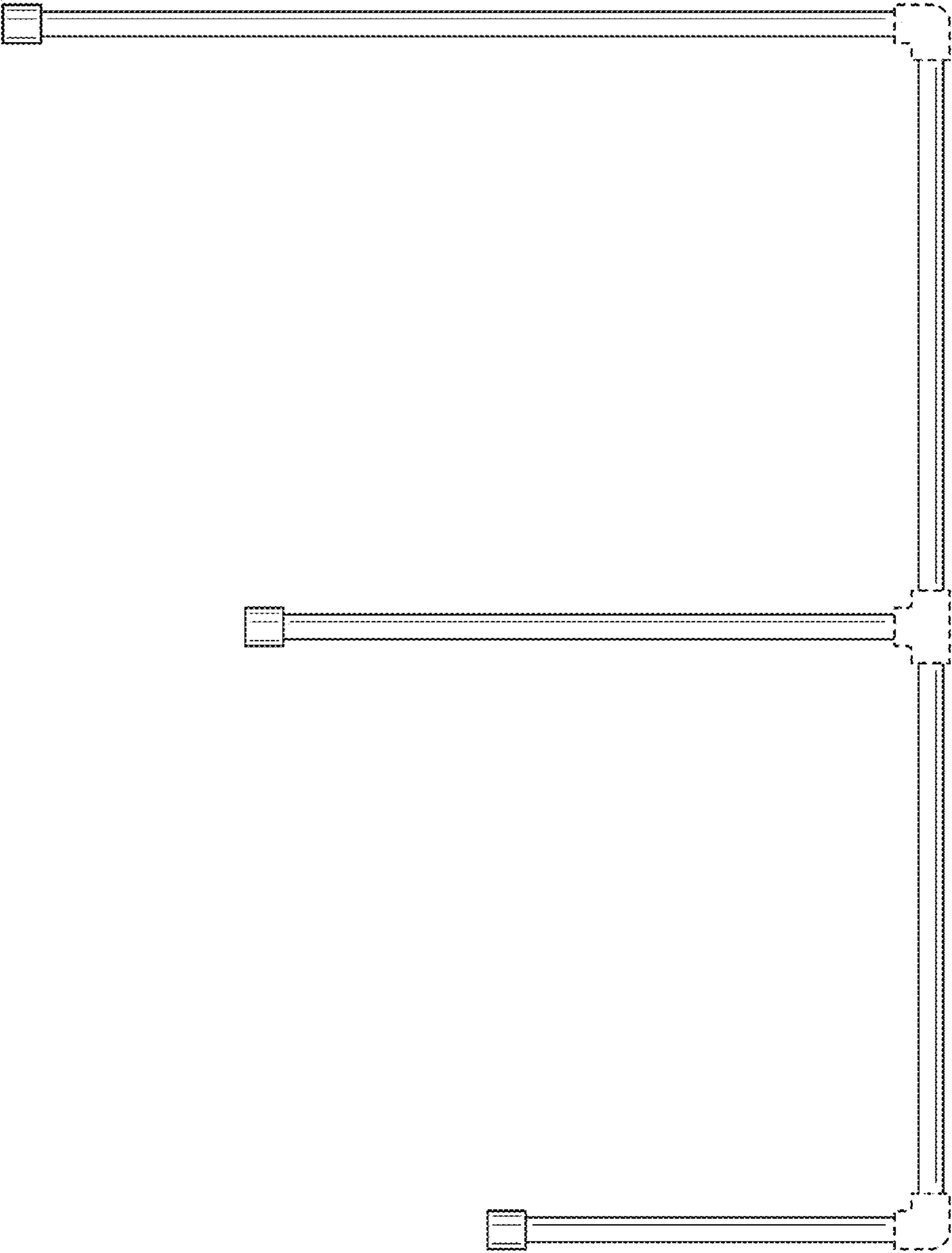


FIG. 19

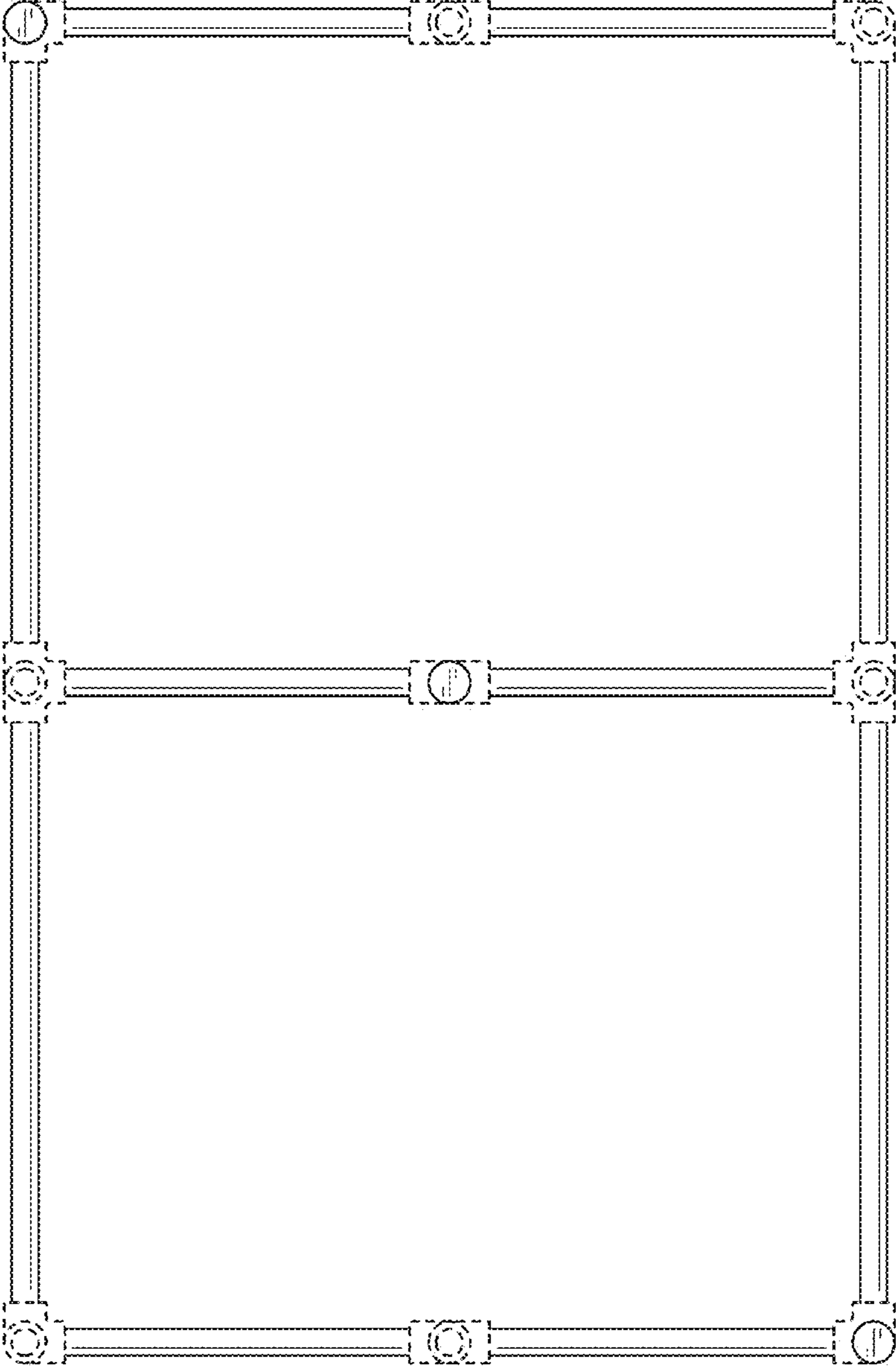


FIG. 20

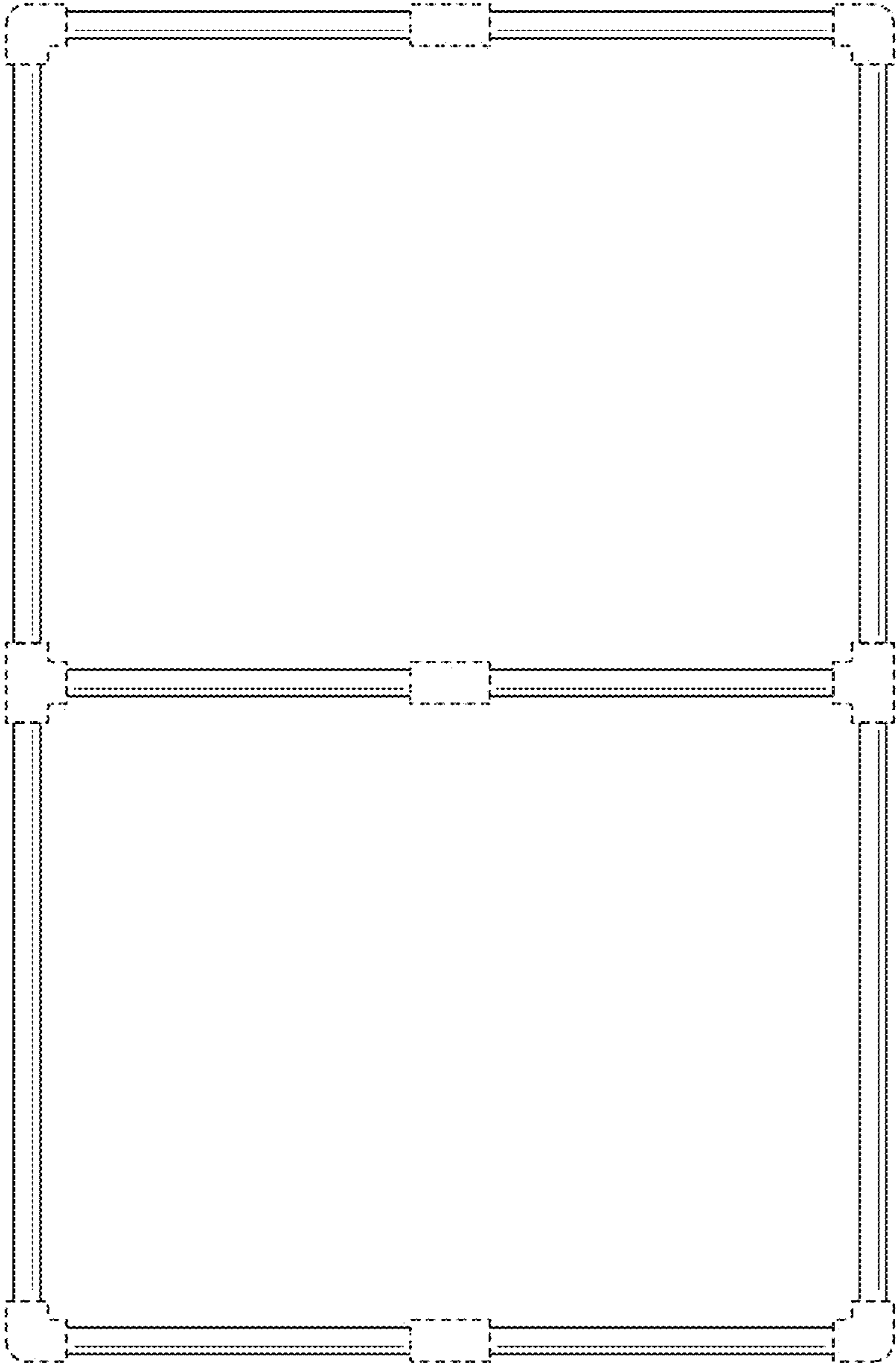


FIG. 21

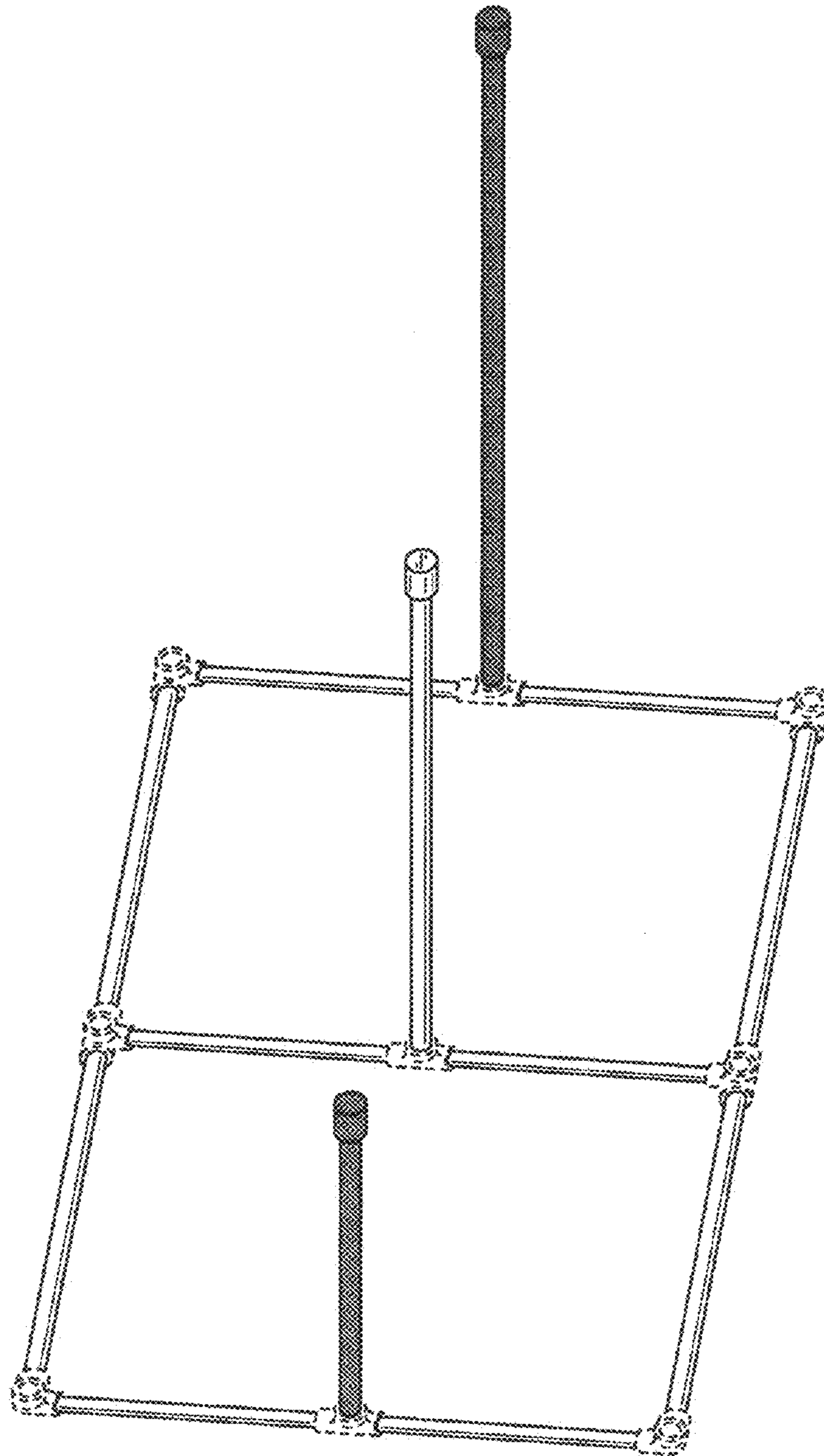


FIG. 22

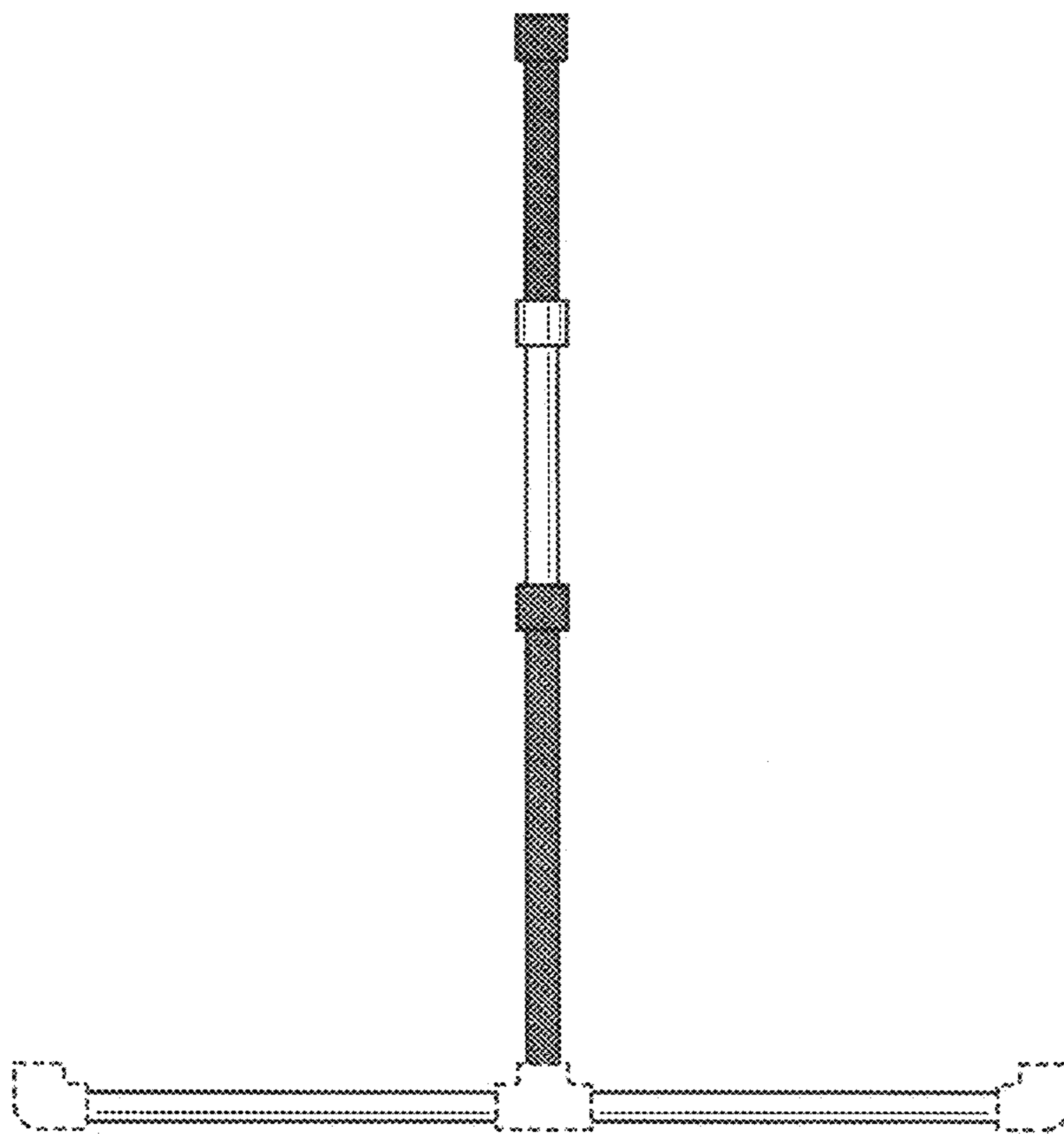


FIG. 23

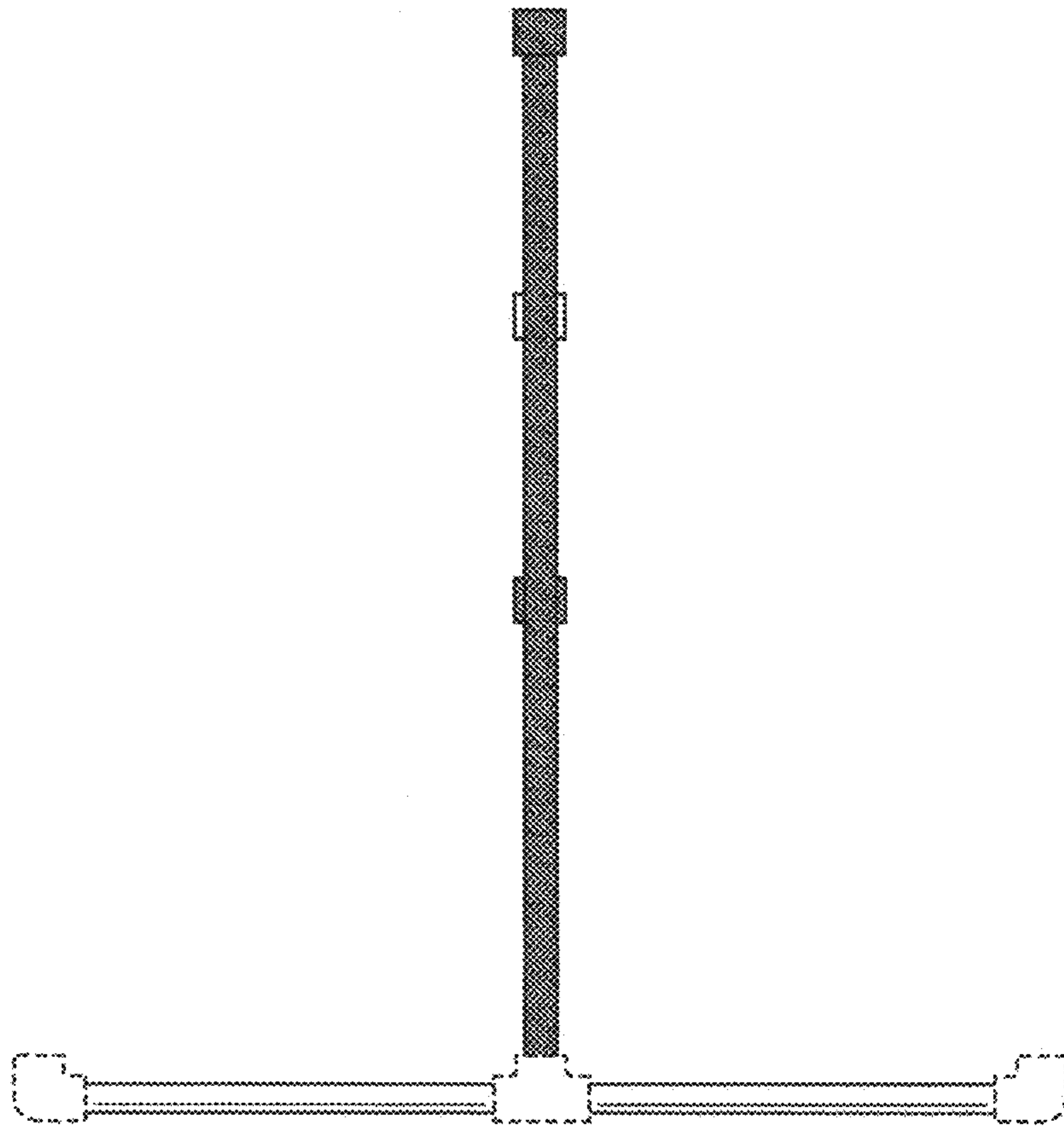


FIG. 24

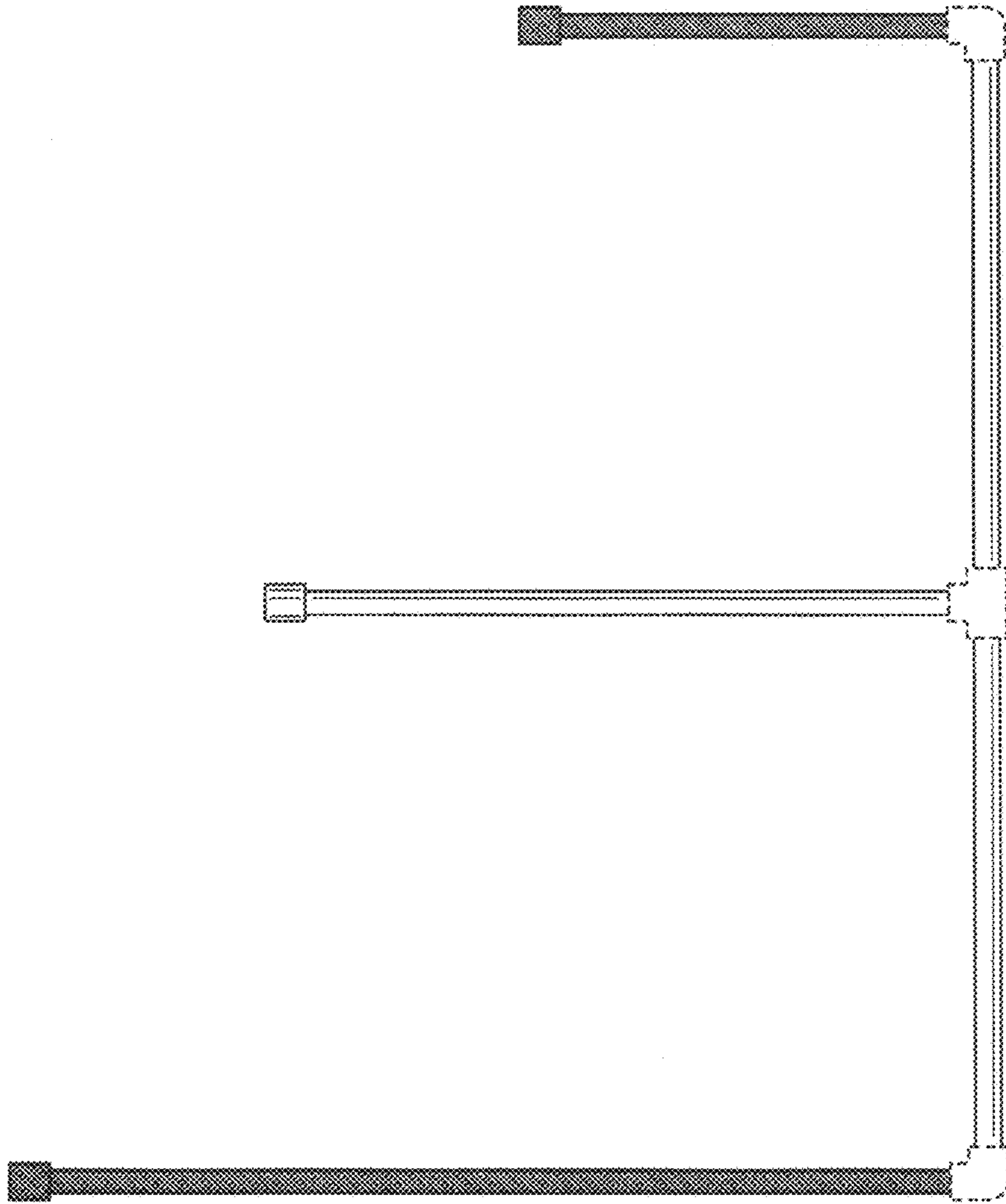


FIG. 25

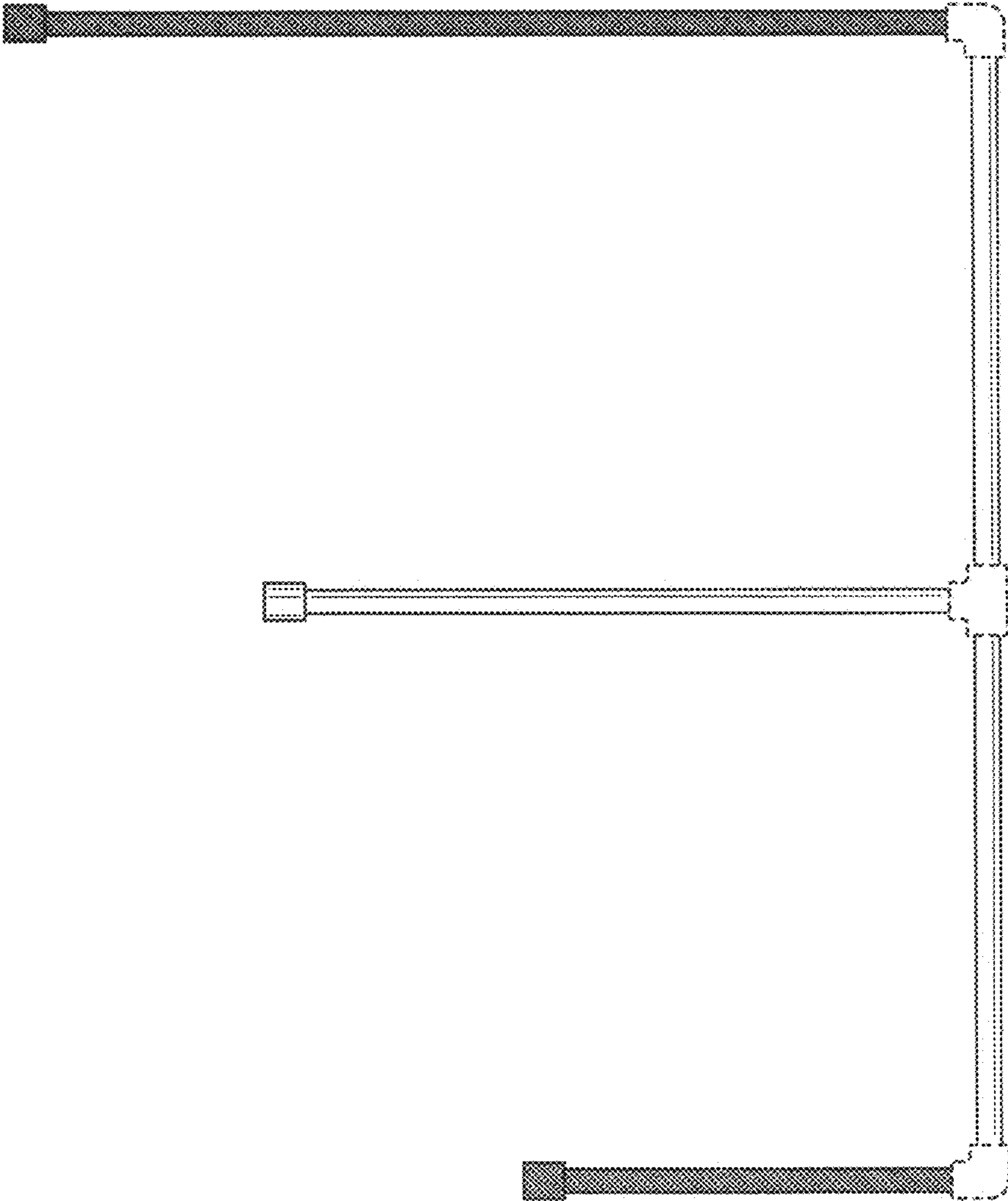


FIG. 26

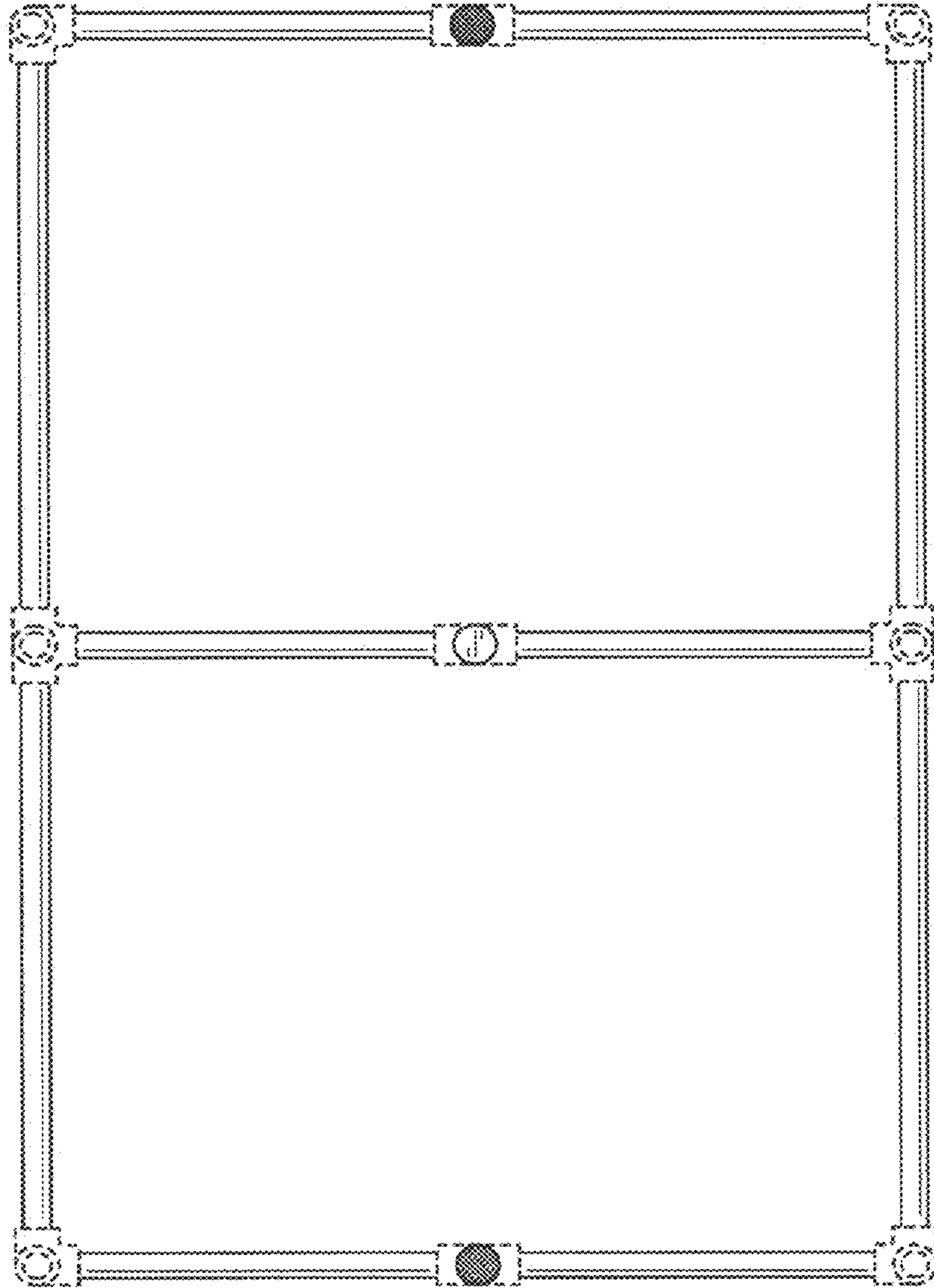


FIG. 27

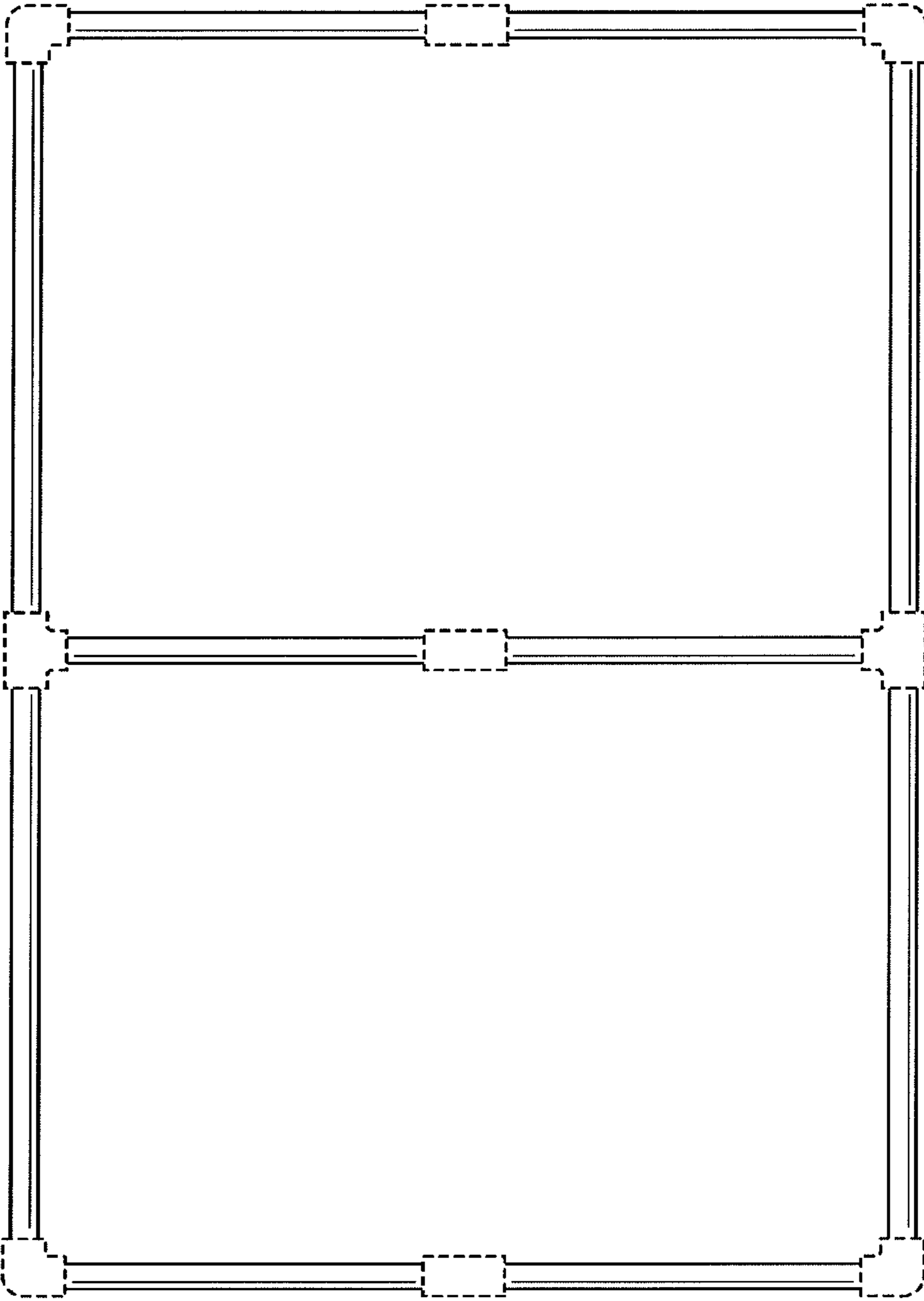


FIG. 28

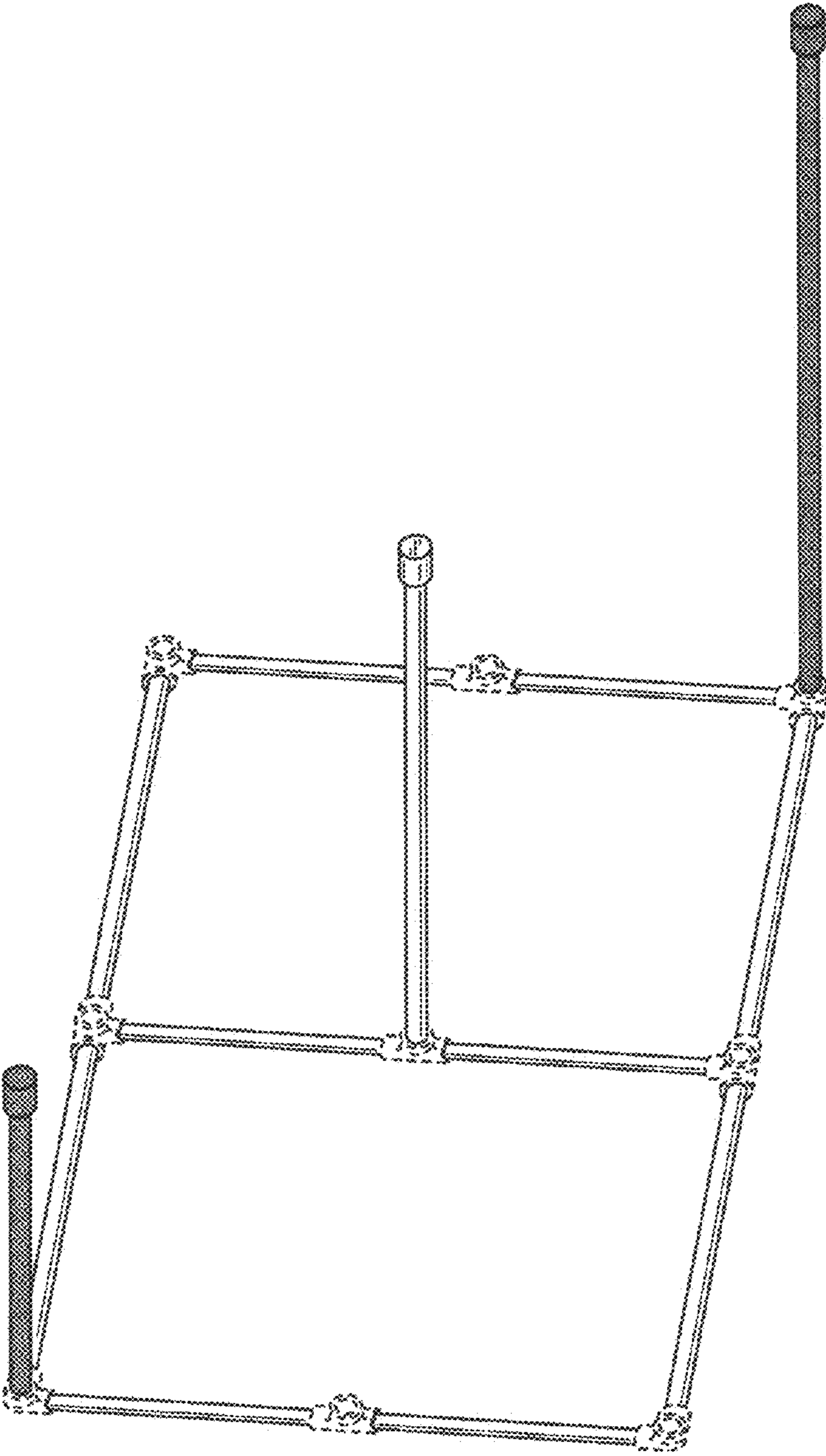


FIG. 29

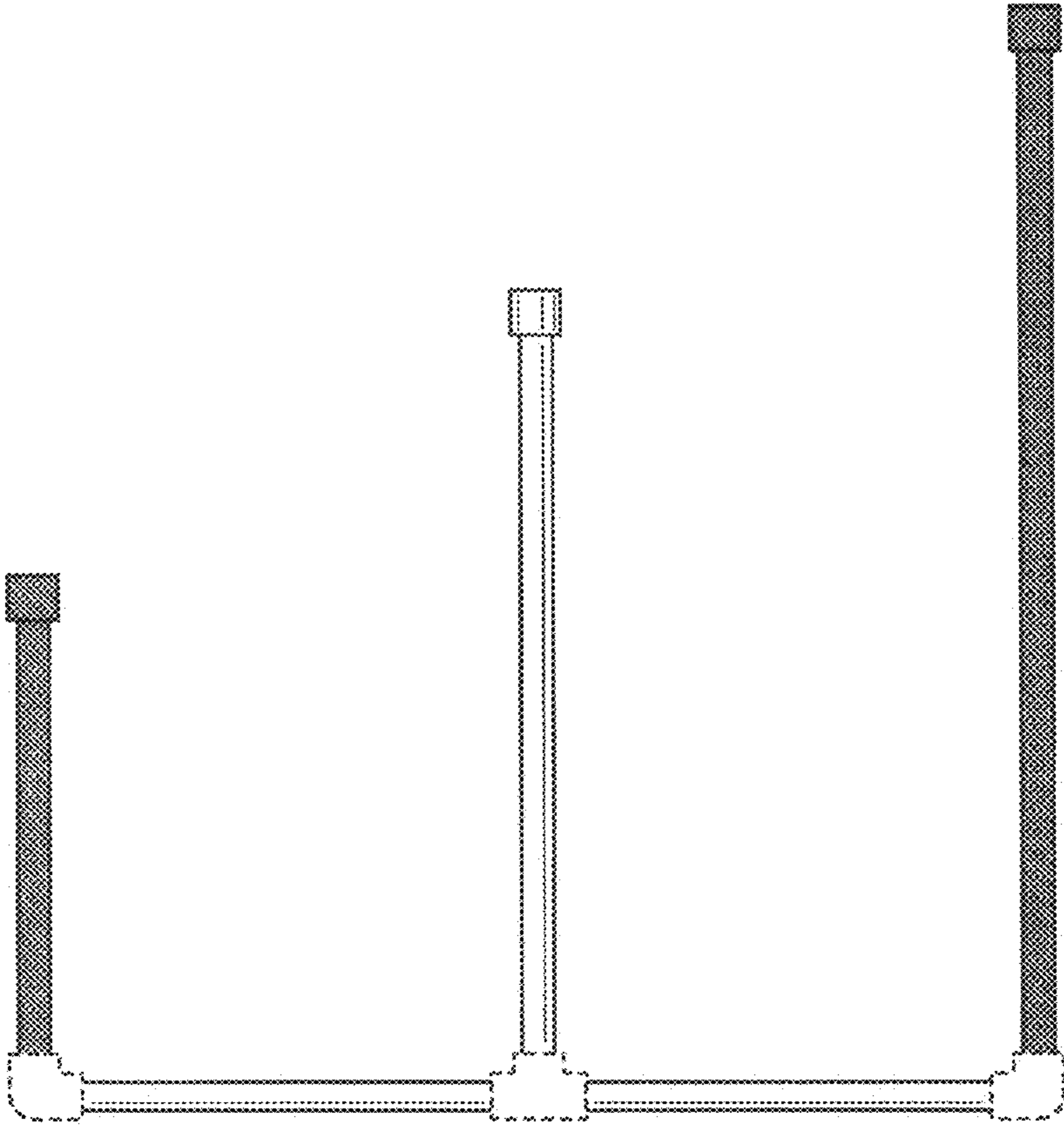


FIG. 30

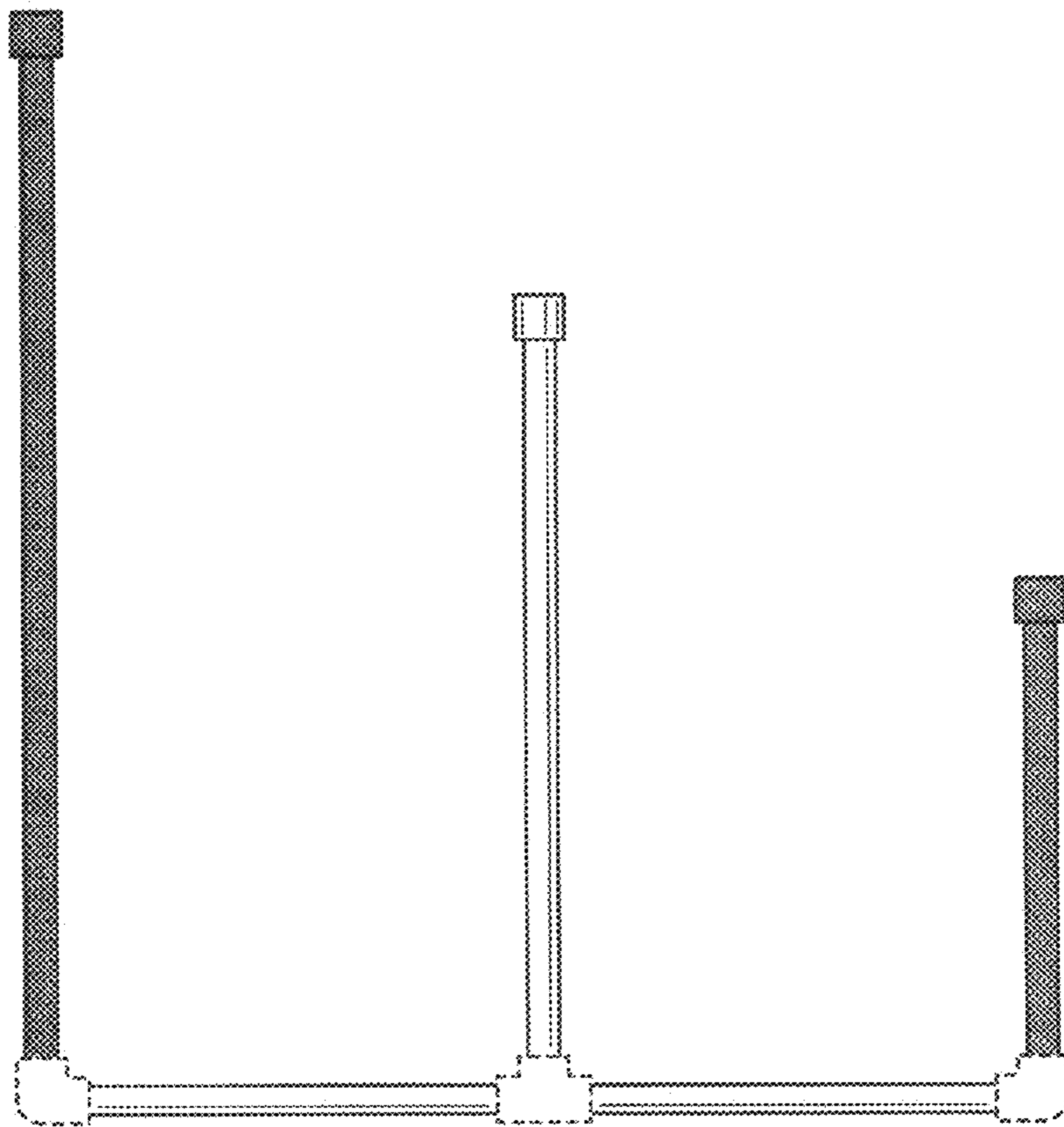


FIG. 31

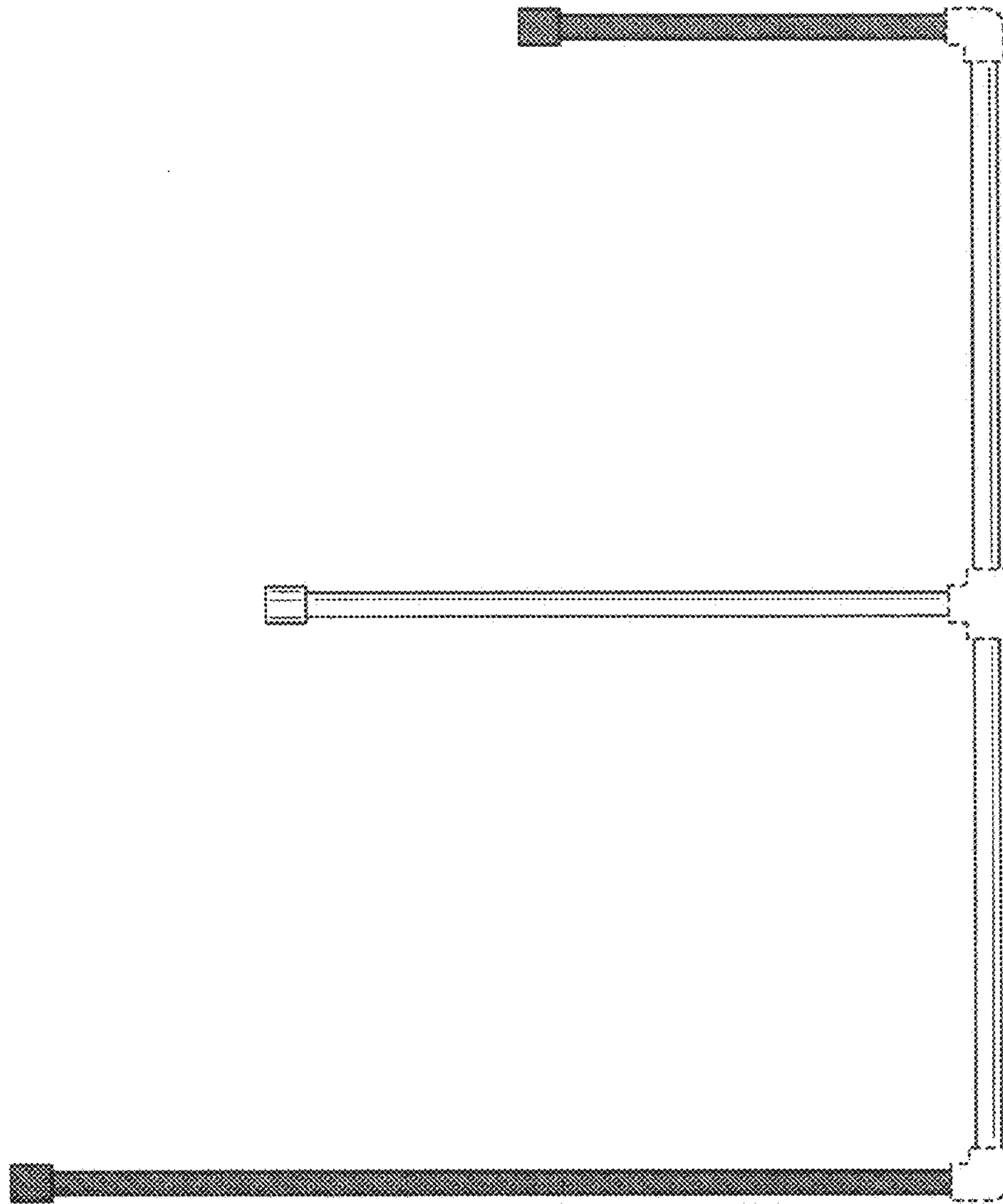


FIG. 32

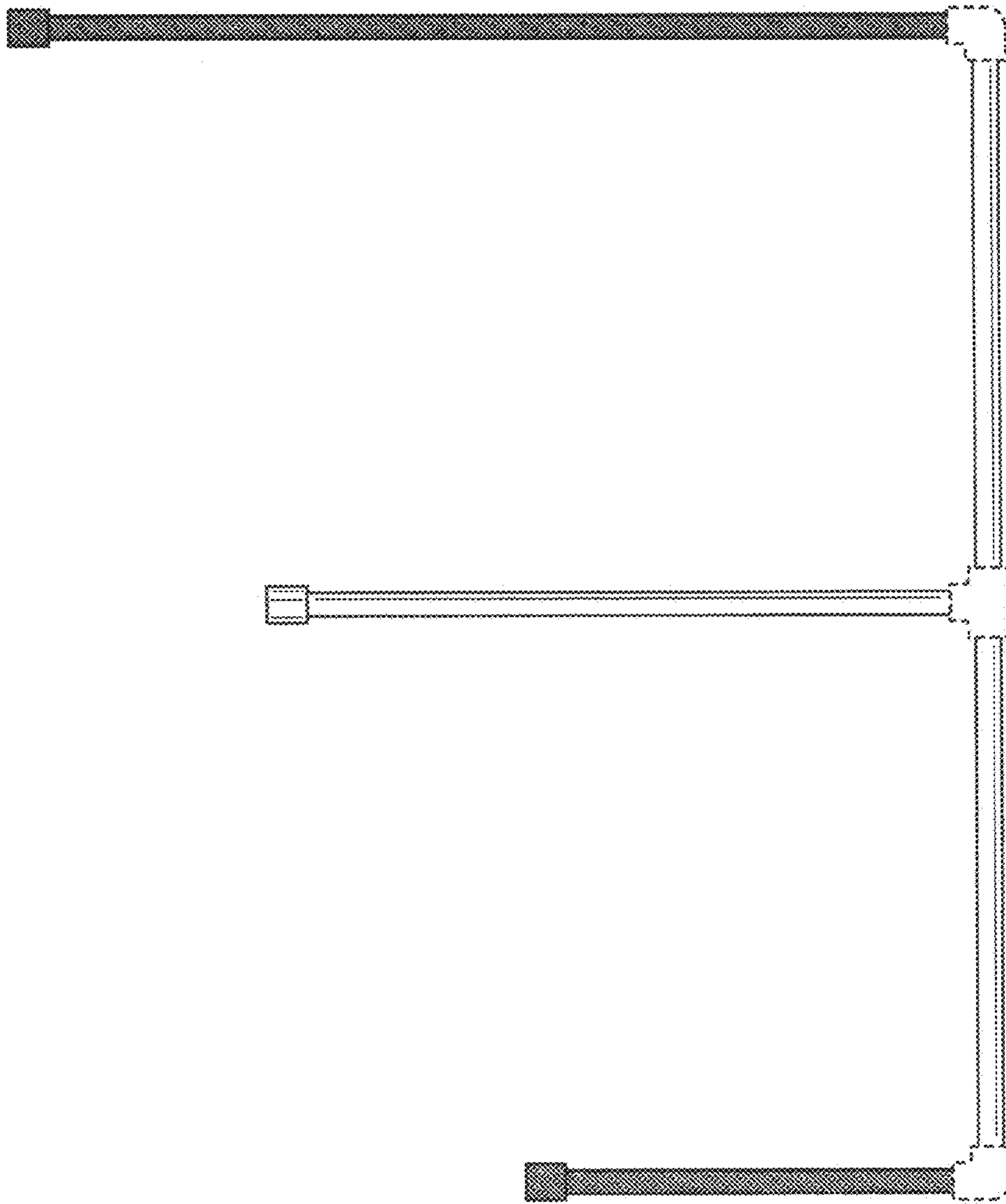


FIG. 33

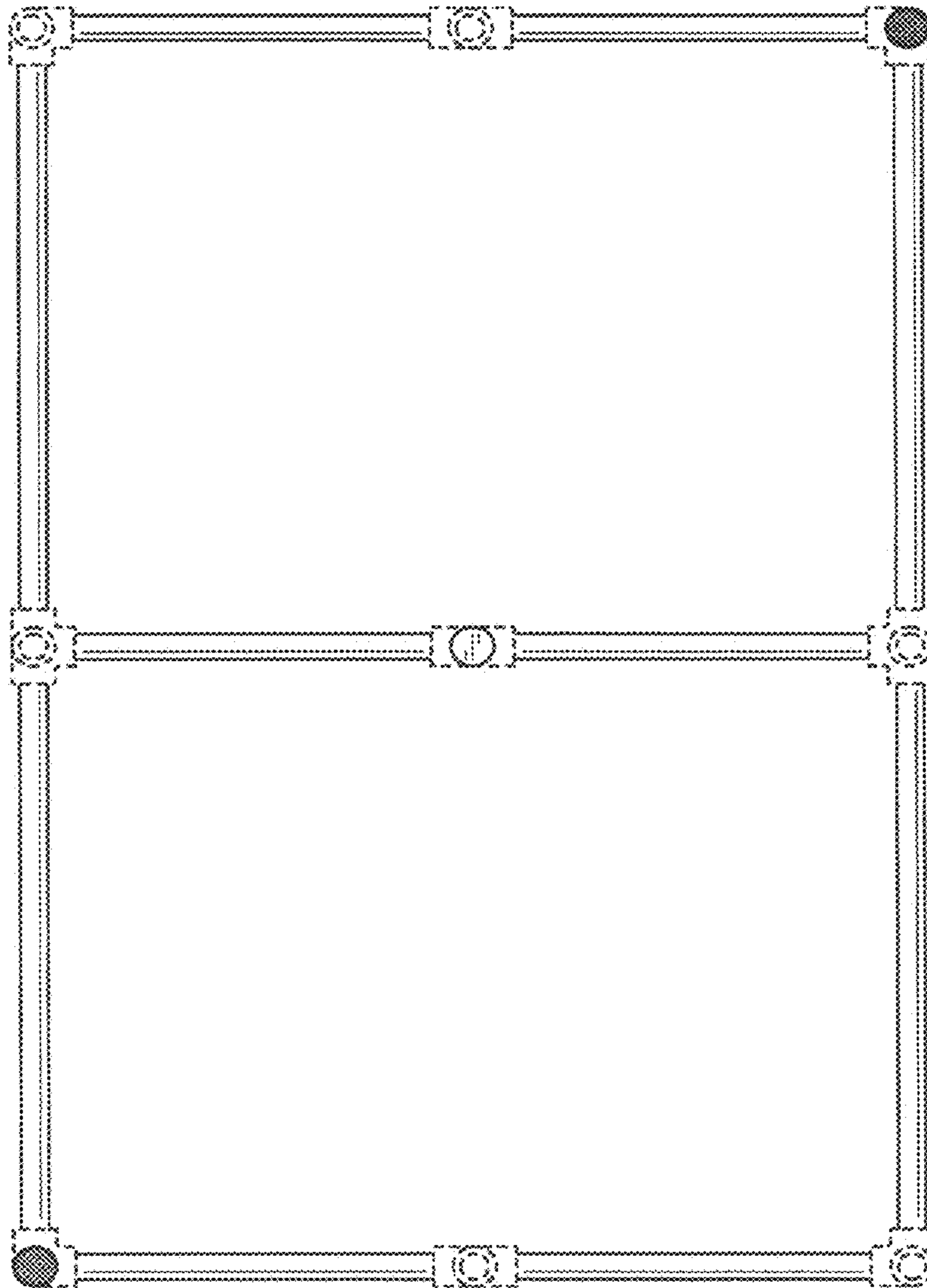


FIG. 34

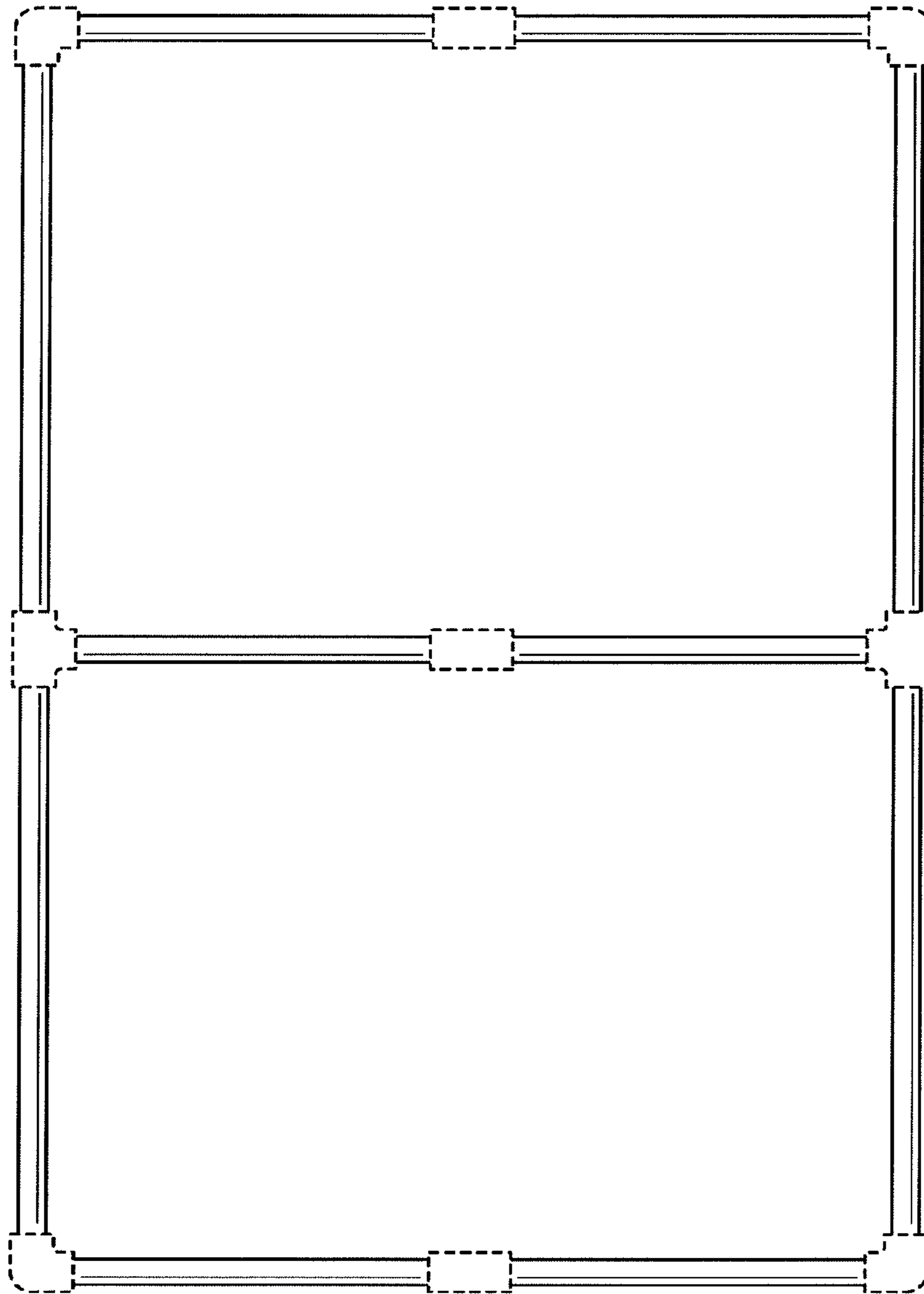


FIG. 35

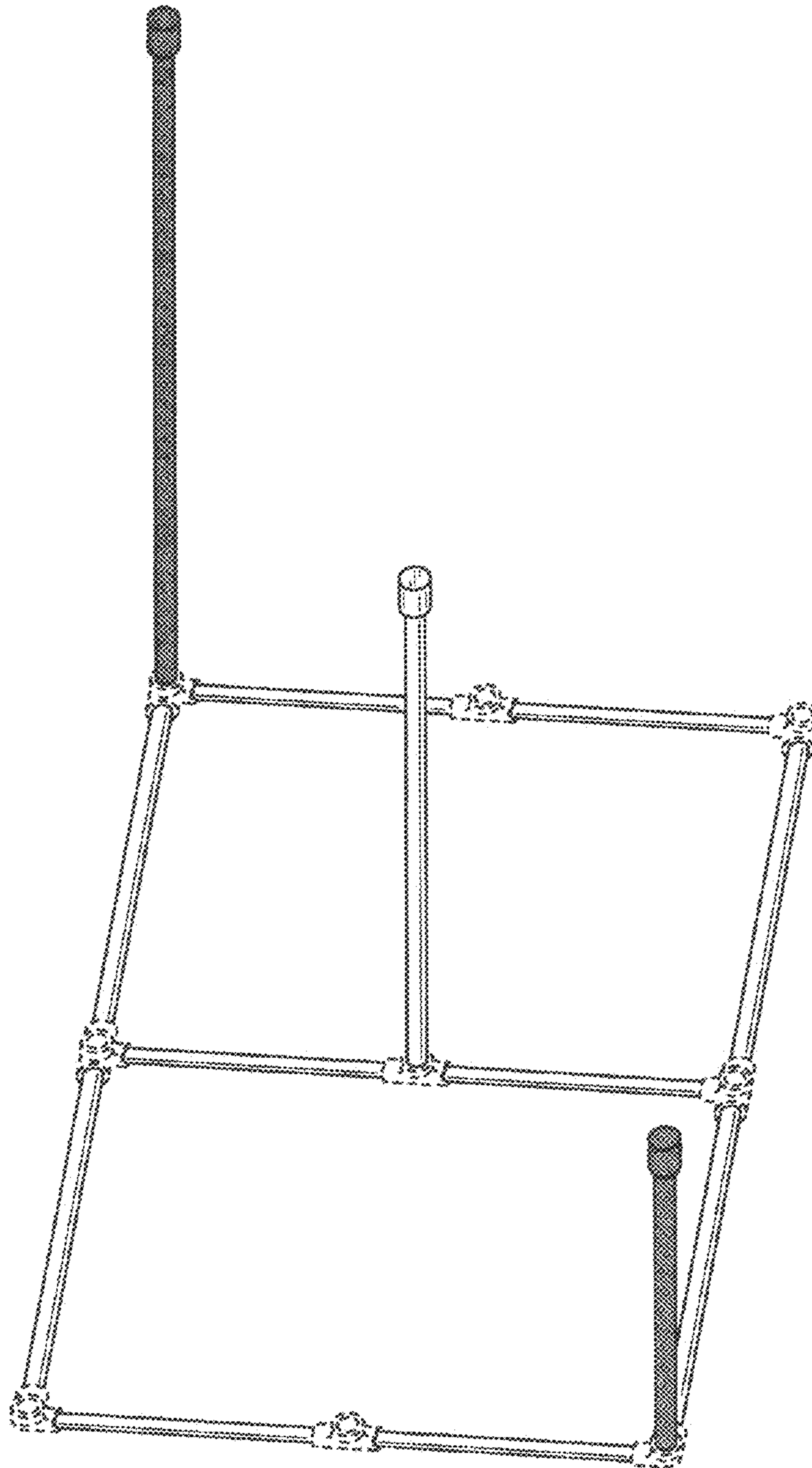


FIG. 36

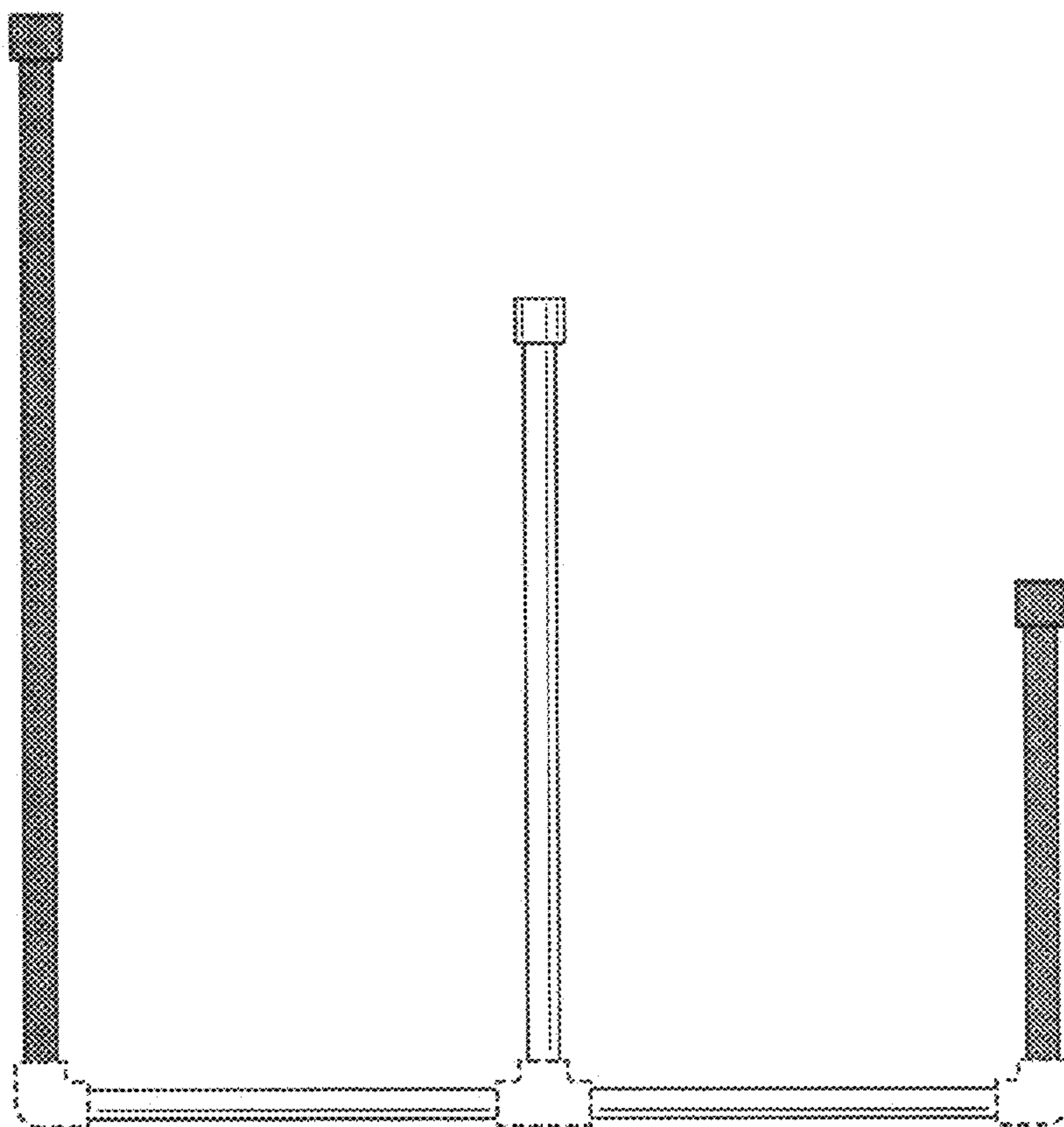


FIG. 37

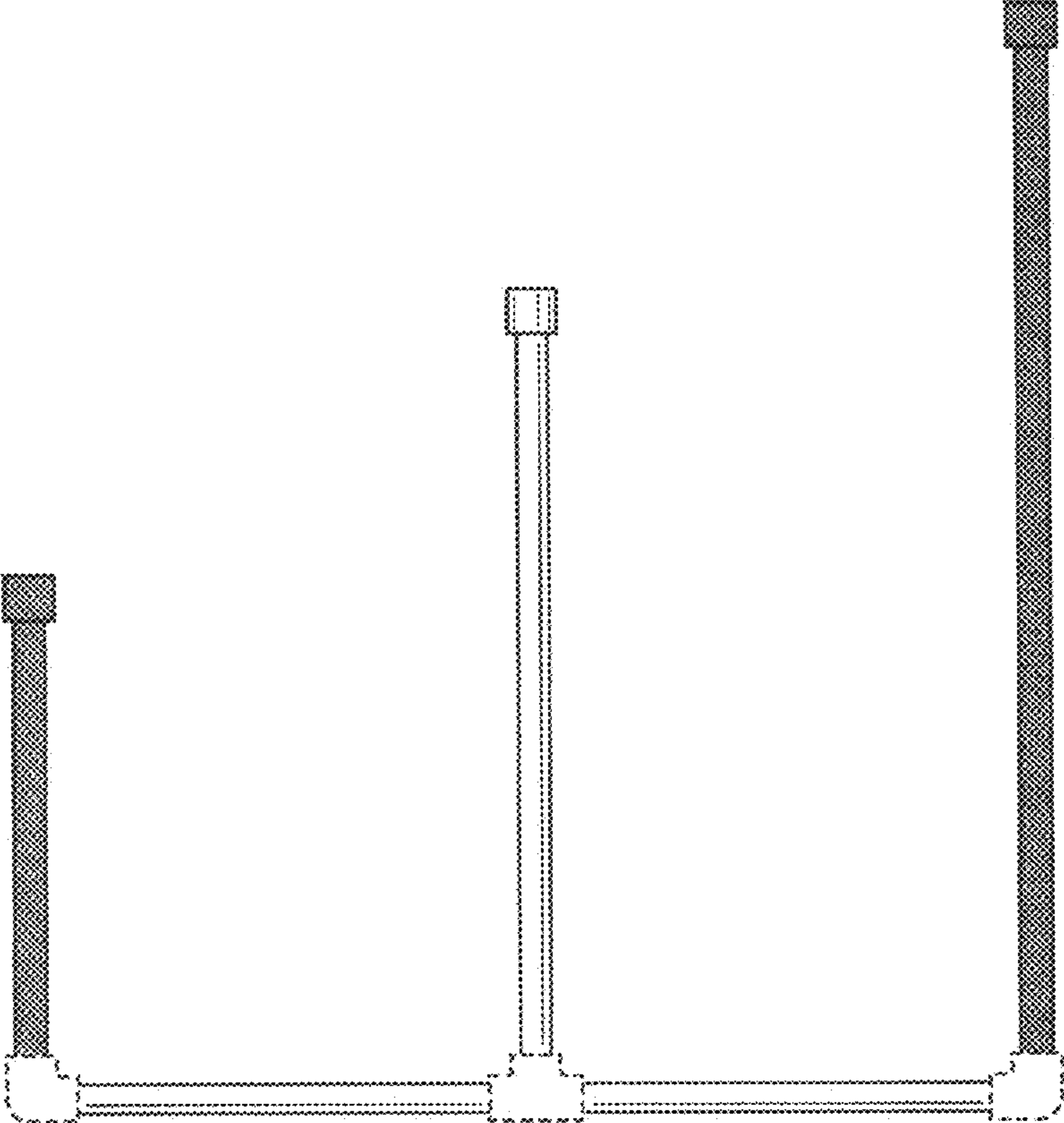


FIG. 38

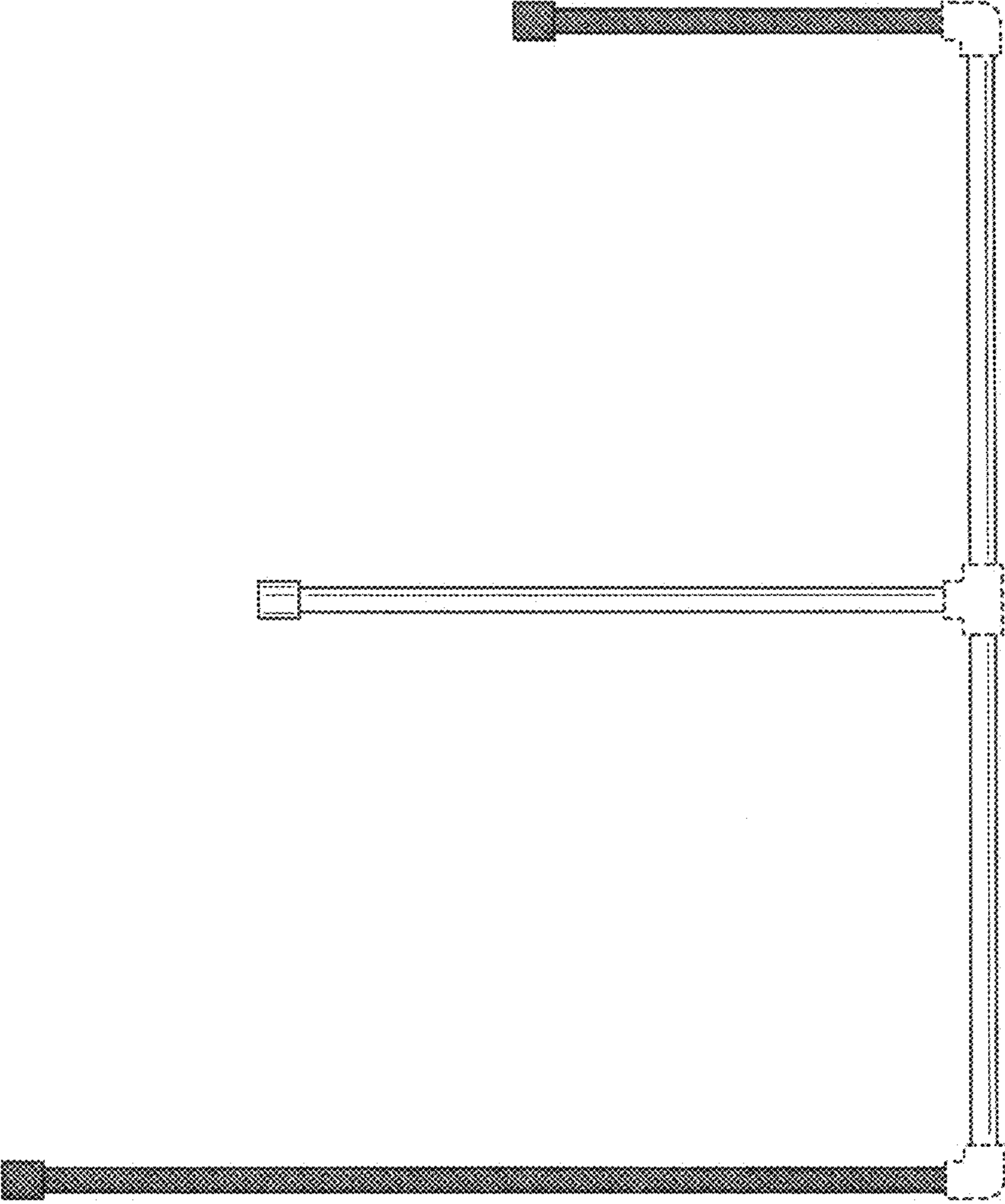


FIG. 39

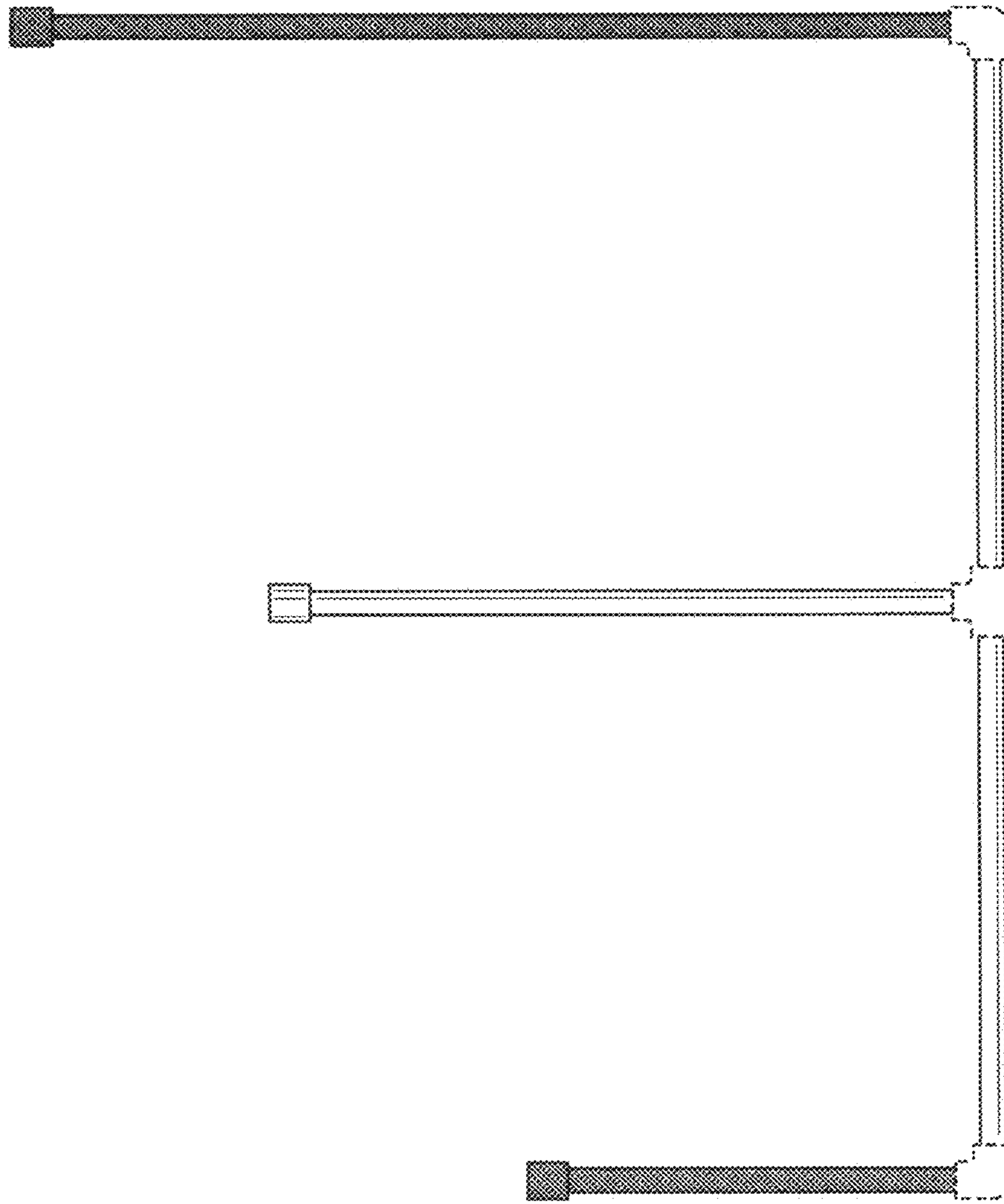


FIG. 40

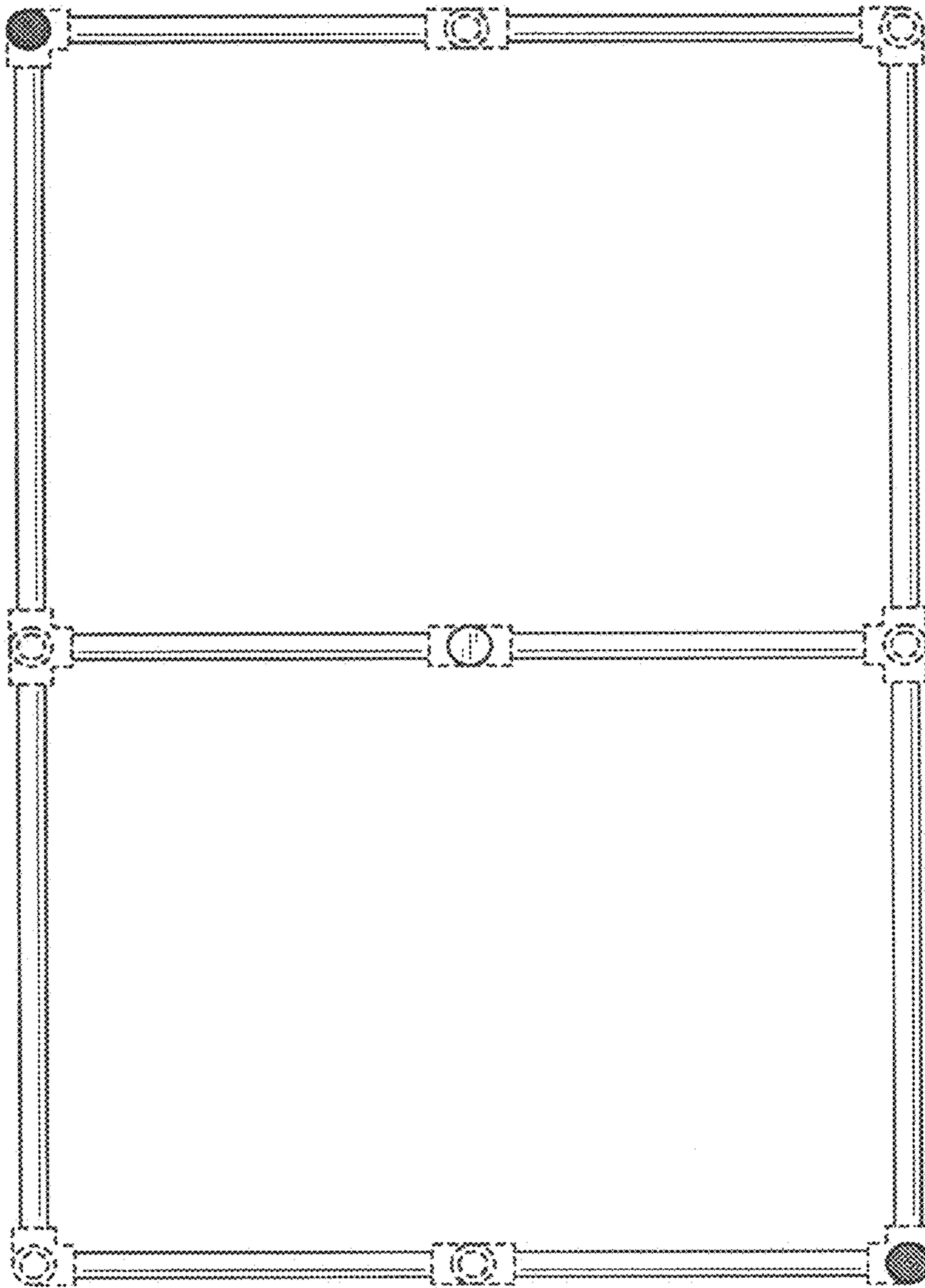


FIG. 41

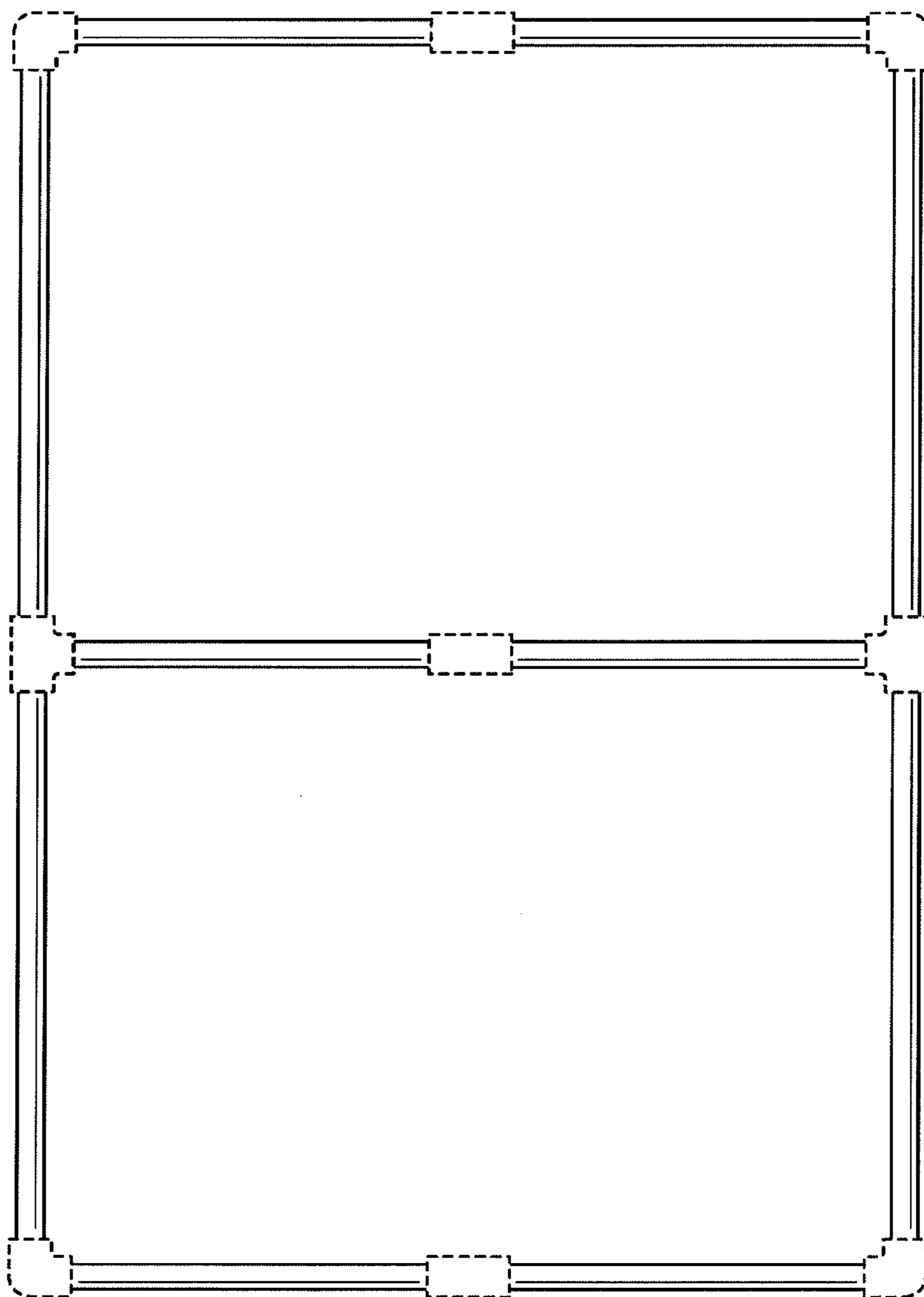


FIG. 42