



US00D747773S

(12) **United States Design Patent**
Dee

(10) **Patent No.:** **US D747,773 S**
(45) **Date of Patent:** **** Jan. 19, 2016**

(54) **PORTION OF A TARGET**

(71) Applicant: **RA Brands, L.L.C.**, Madison, NC (US)

(72) Inventor: **Amy Dee**, Oak Ridge, NC (US)

(73) Assignee: **RA Brands, L.L.C.**, Madison, NC (US)

(**) Term: **14 Years**

(21) Appl. No.: **29/489,287**

(22) Filed: **Apr. 29, 2014**

(51) **LOC (10) Cl.** **21-01**

(52) **U.S. Cl.**

USPC **D21/302**; D21/306

(58) **Field of Classification Search**

USPC D21/300, 302, 306, 307, 324, 334, 385;
273/317, 348, 236, 237, 259, 287,
273/138.2, 148 R, 459, 460, 358, 359,
273/390-392, 403-410; 473/415, 569

CPC F41J 3/00; F41J 5/14; F41J 5/18;
F41J 7/00; A63B 63/06

See application file for complete search history.

(56) **References Cited**

U.S. PATENT DOCUMENTS

1,103,579	A	7/1914	Hall	
2,587,042	A *	2/1952	Haiselup	446/2
2,613,080	A	10/1952	Dow	
2,812,947	A *	11/1957	Fatzinger et al.	273/404
D195,308	S *	5/1963	Braun	D21/306
D201,027	S *	5/1965	Maher	D21/306
3,423,092	A	1/1969	Kandel	
4,203,600	A *	5/1980	Brown	273/407
4,249,743	A	2/1981	Lee	
4,433,843	A	2/1984	Bricco	
D287,614	S	1/1987	Mosser	
4,732,394	A	3/1988	Stein et al.	

(Continued)

OTHER PUBLICATIONS

“Gamo Knockdown Wild Boar Field Target Interchangeable System”
www.taskers-angling.co.uk, <http://taskers-angling.co.uk/gamo-knockdown-wild-boar-field-target-interchangeable-sy>.

(Continued)

Primary Examiner — Prabhakar Deshmukh

(74) *Attorney, Agent, or Firm* — Womble Carlyle Sandridge & Rice, LLP

(57) **CLAIM**

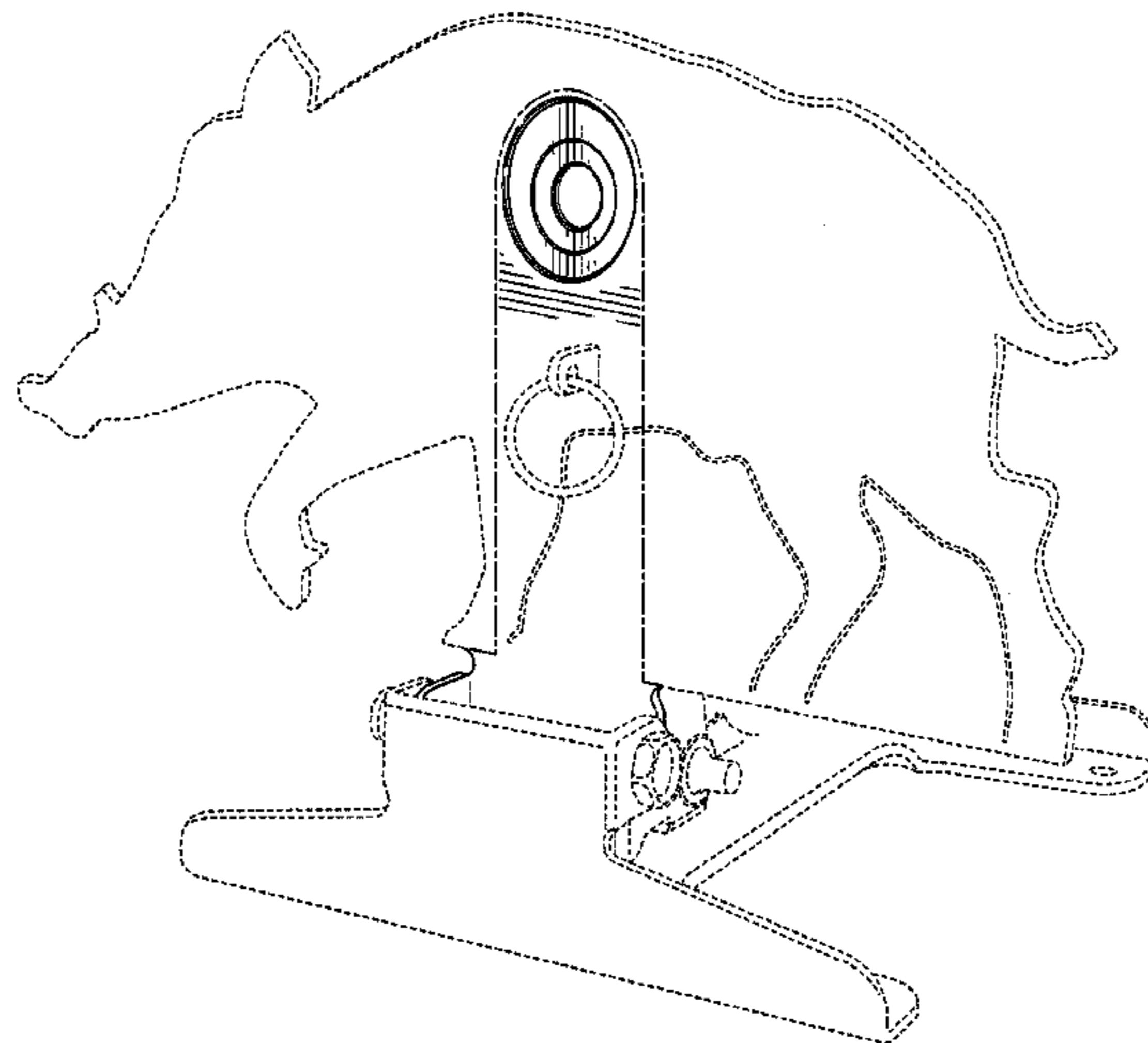
The ornamental design for a portion of a target, as shown and described.

DESCRIPTION

FIG. 1 is a front perspective view of a portion of a target showing my new design;
FIG. 2 is a rear perspective view thereof;
FIG. 3 is a front elevational view thereof;
FIG. 4 is a rear elevational view thereof;
FIG. 5 is a right side elevational view thereof;
FIG. 6 is a left side elevational view thereof;
FIG. 7 is a top plan view thereof;
FIG. 8 is a bottom plan view thereof;
FIG. 9 is a front perspective view of a second embodiment of a portion of a target showing my new design;
FIG. 10 is a rear perspective view of FIG. 9;
FIG. 11 is a front elevational view of FIG. 9;
FIG. 12 is a rear elevational view of FIG. 9;
FIG. 13 is a right side elevational view of FIG. 9;
FIG. 14 is a left side elevational view of FIG. 9;
FIG. 15 is a top plan view of FIG. 9; and,
FIG. 16 is a bottom plan view of FIG. 9.

The broken lines illustrate unclaimed portions and from no part of the claimed design. The dash and dot lines in FIGS. 1-4 and 9-12 represent the bounds of the claimed design and form no part thereof.

1 Claim, 16 Drawing Sheets



(56)

References Cited

U.S. PATENT DOCUMENTS

D330,920	S *	11/1992	Schaefer et al.	D21/780
5,273,291	A *	12/1993	Giannetti	273/358
5,383,671	A	1/1995	Teets et al.		
5,590,885	A	1/1997	Graham et al.		
5,593,162	A *	1/1997	Minuskin	273/403
D382,599	S *	8/1997	Starrett	D21/306
D391,303	S *	2/1998	Hadland	D21/306
7,815,192	B1 *	10/2010	Kreiman et al.	273/390
8,091,894	B2	1/2012	Kreiman et al.		
D655,756	S *	3/2012	Robertson	D21/302
8,413,991	B2	4/2013	Sudbeck et al.		
9,068,800	B2	6/2015	McHale et al.		
2007/0046760	A1	3/2007	Zara		
2007/0063445	A1	3/2007	Tierney et al.		
2007/0262529	A1	11/2007	Gamez et al.		
2008/0054570	A1	3/2008	Potterfield et al.		
2008/0277876	A1	11/2008	Riley		
2009/0058008	A1	3/2009	Baumgartner et al.		
2014/0319215	A1	10/2014	Farca et al.		
2014/0360081	A1	12/2014	Lupher et al.		

OTHER PUBLICATIONS

“Knockdown Rabbit Target” www.whipperleys.co.uk, www.whipperleys.co.uk/acatalog/shooting_targets.html (Accessed Apr. 30, 2014).

“Knockdown Resetting Rabbit Target” www.solware.co.uk, <http://www.solware.co.uk/air-pistol-air-rifle/Air-Arms-Knockdown-Rabbit.shtml> (Accessed Apr. 30, 2014).

“SMK Training Knock and Reset Crow Target” www.whipperleys.co.uk, http://www.whipperleys.co.uk/acatalog/shooting_targets.html (Accessed Apr. 30, 2014).

“SMK Training Knock and Reset Pigeon Target” www.whipperleys.co.uk, http://www.whipperleys.co.uk/acatalog/shooting_targets.html.

Notice of Allowance issued Jul. 30, 2015 in Design U.S. Appl. No. 29/489,286.

Restriction Requirement issued Jul. 29, 2015 in Design U.S. Appl. No. 29/489,285.

* cited by examiner

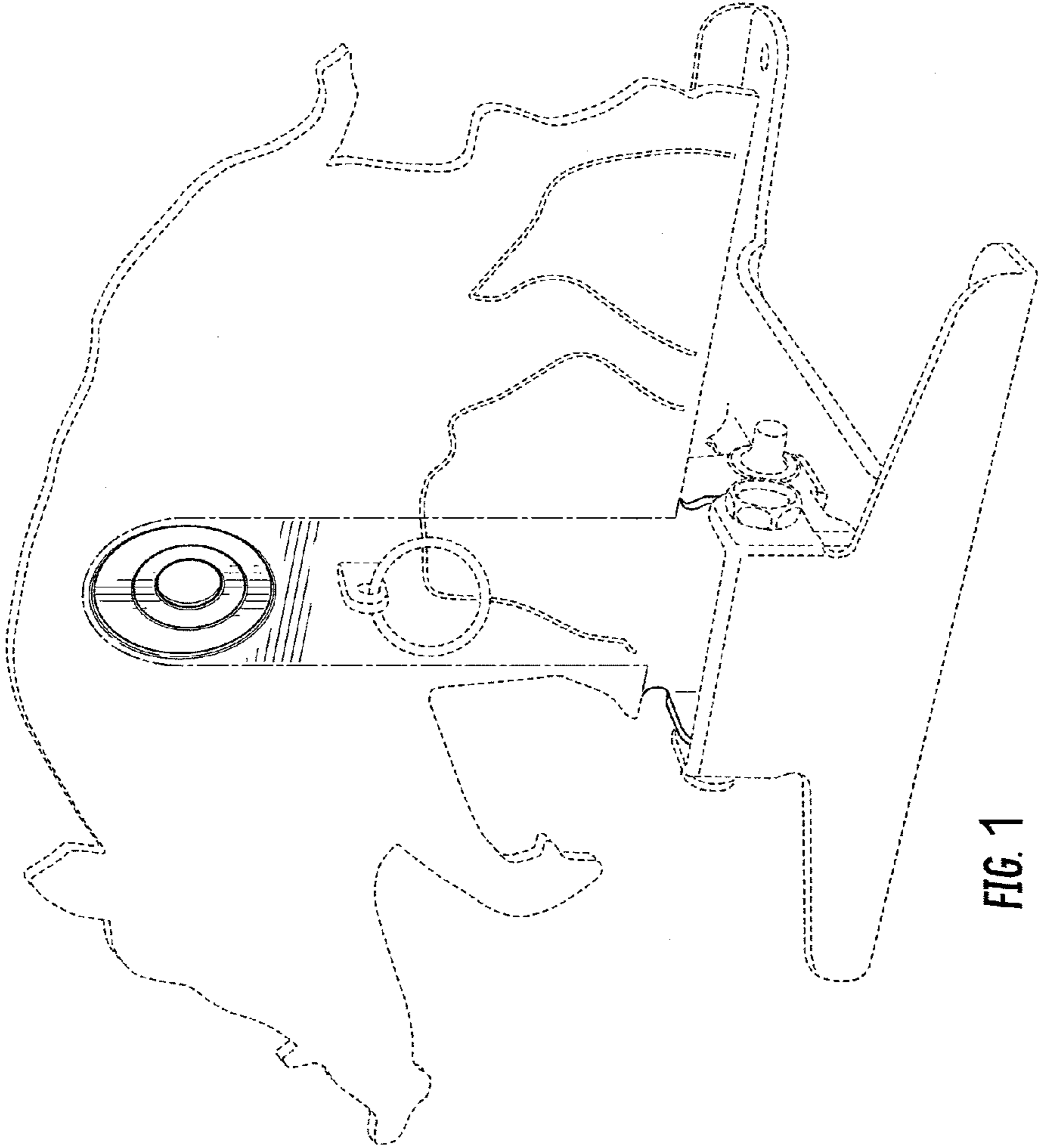


FIG. 1

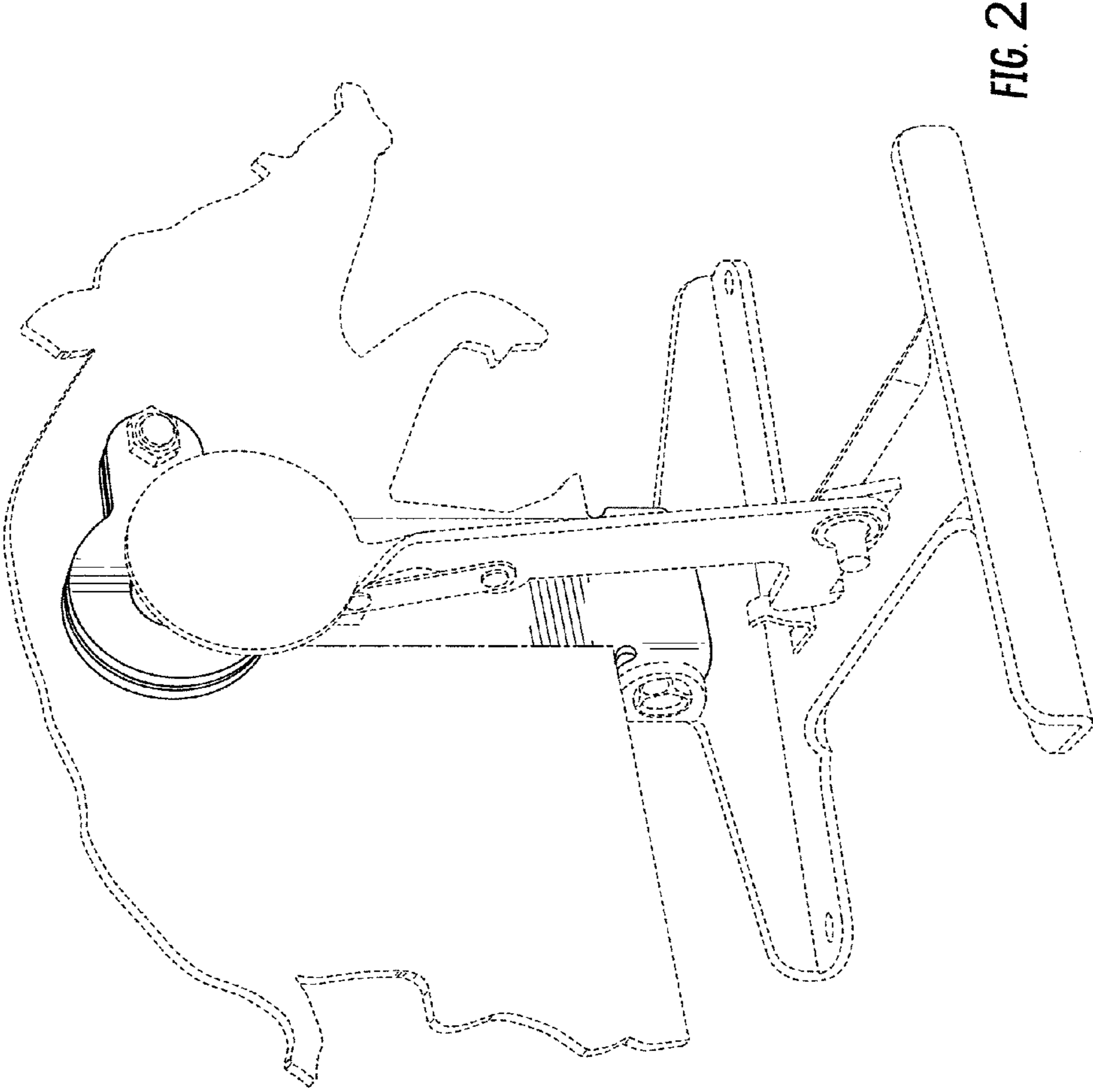
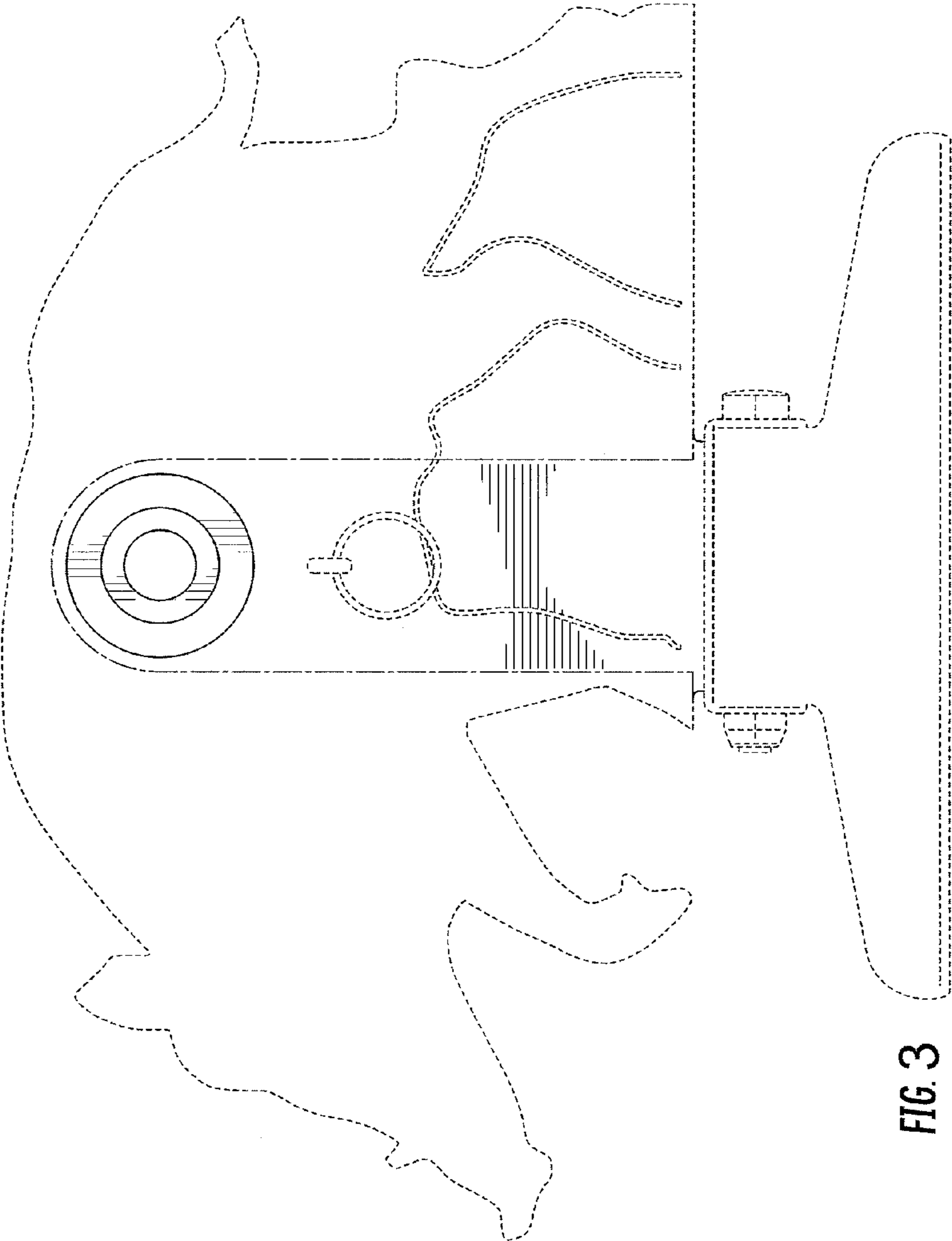


FIG. 2



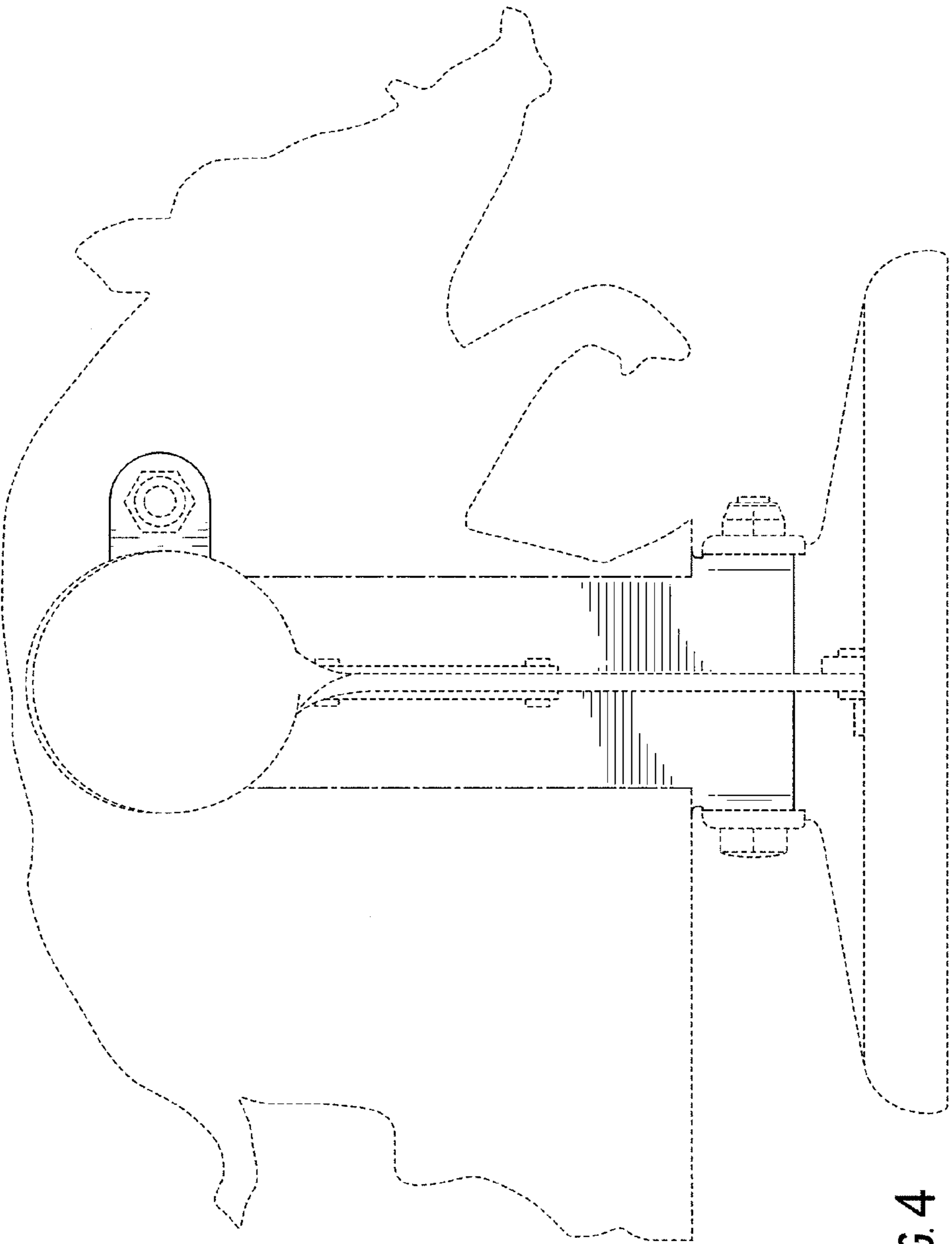


FIG. 4

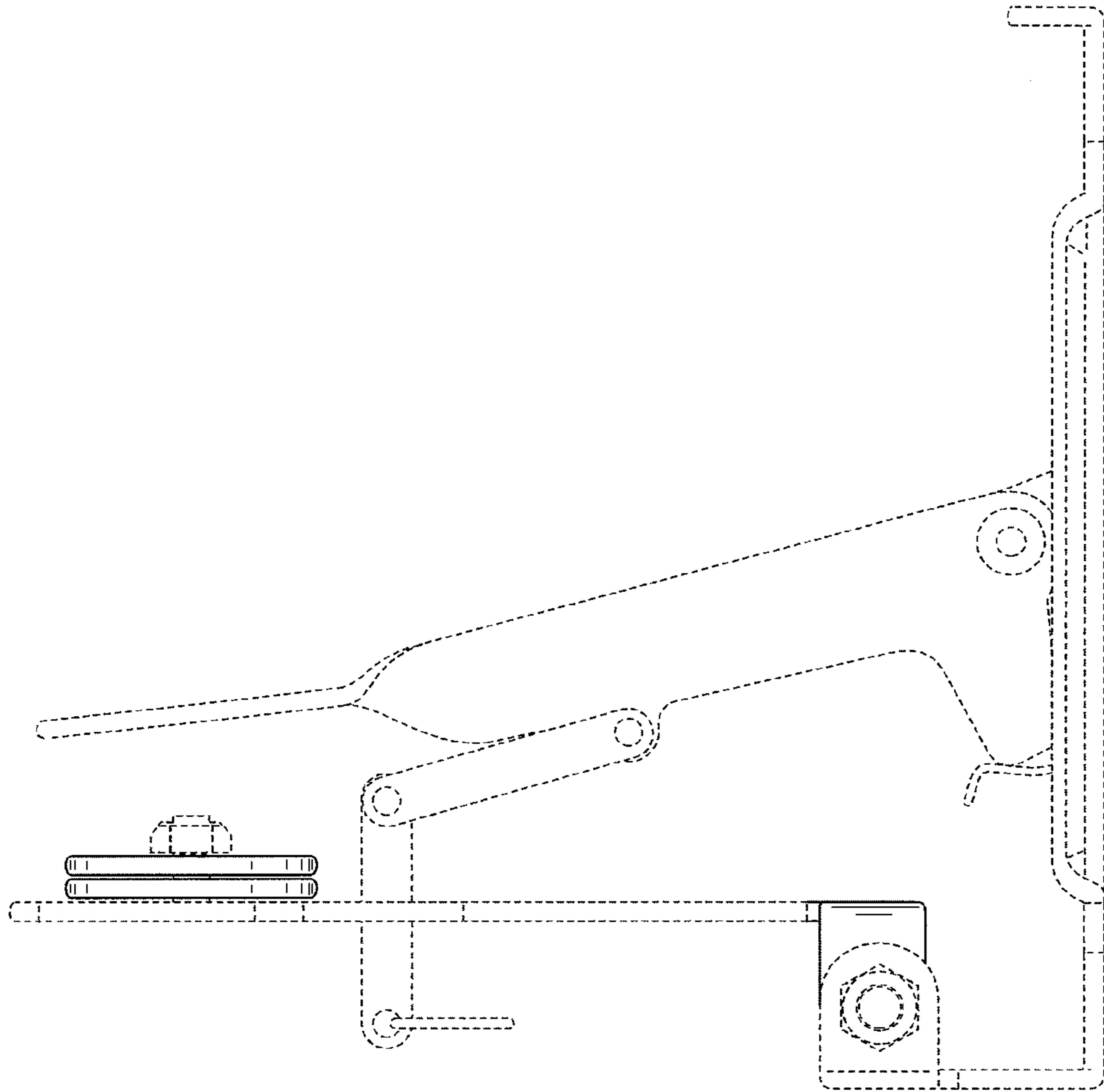


FIG. 5

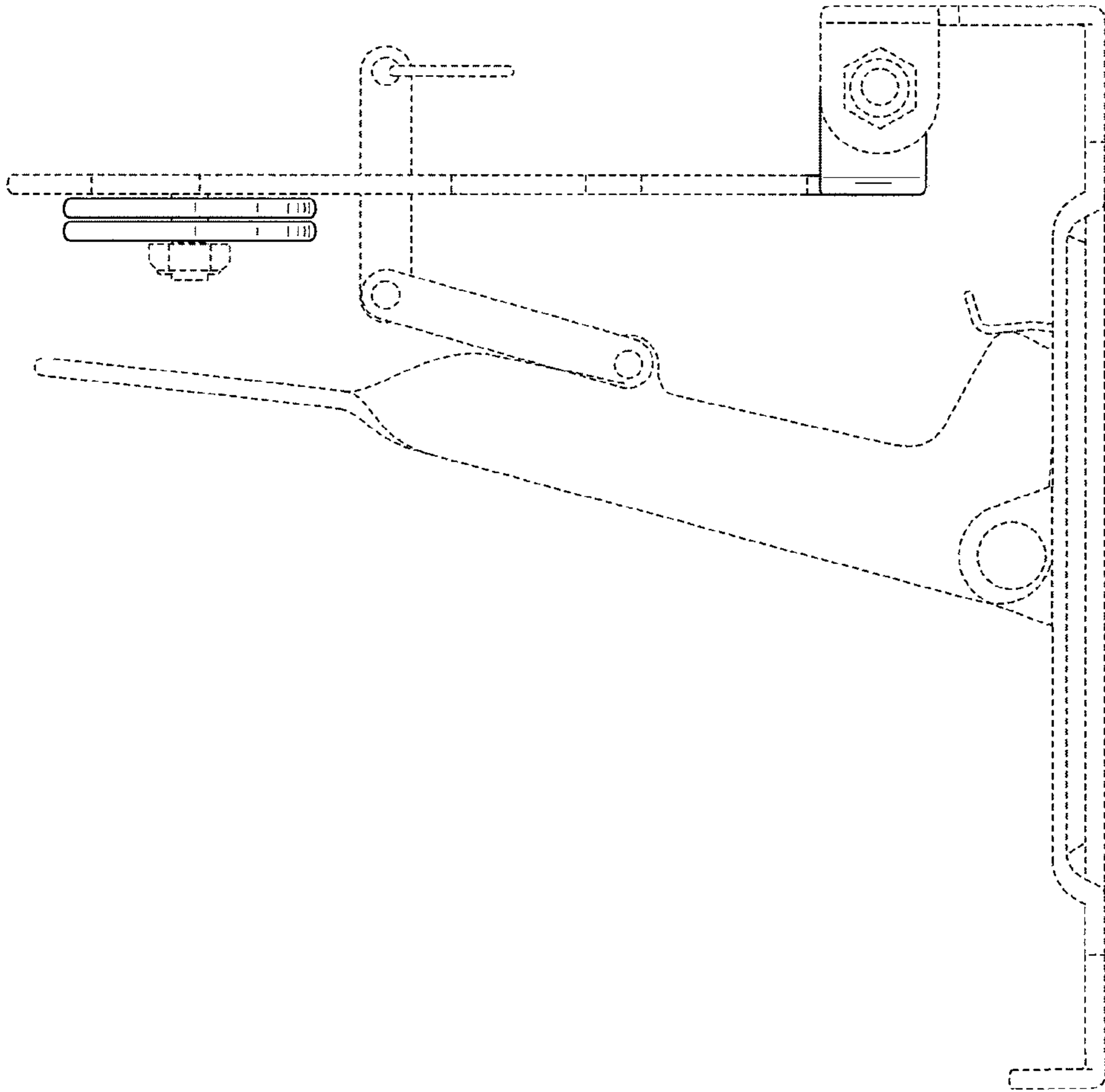
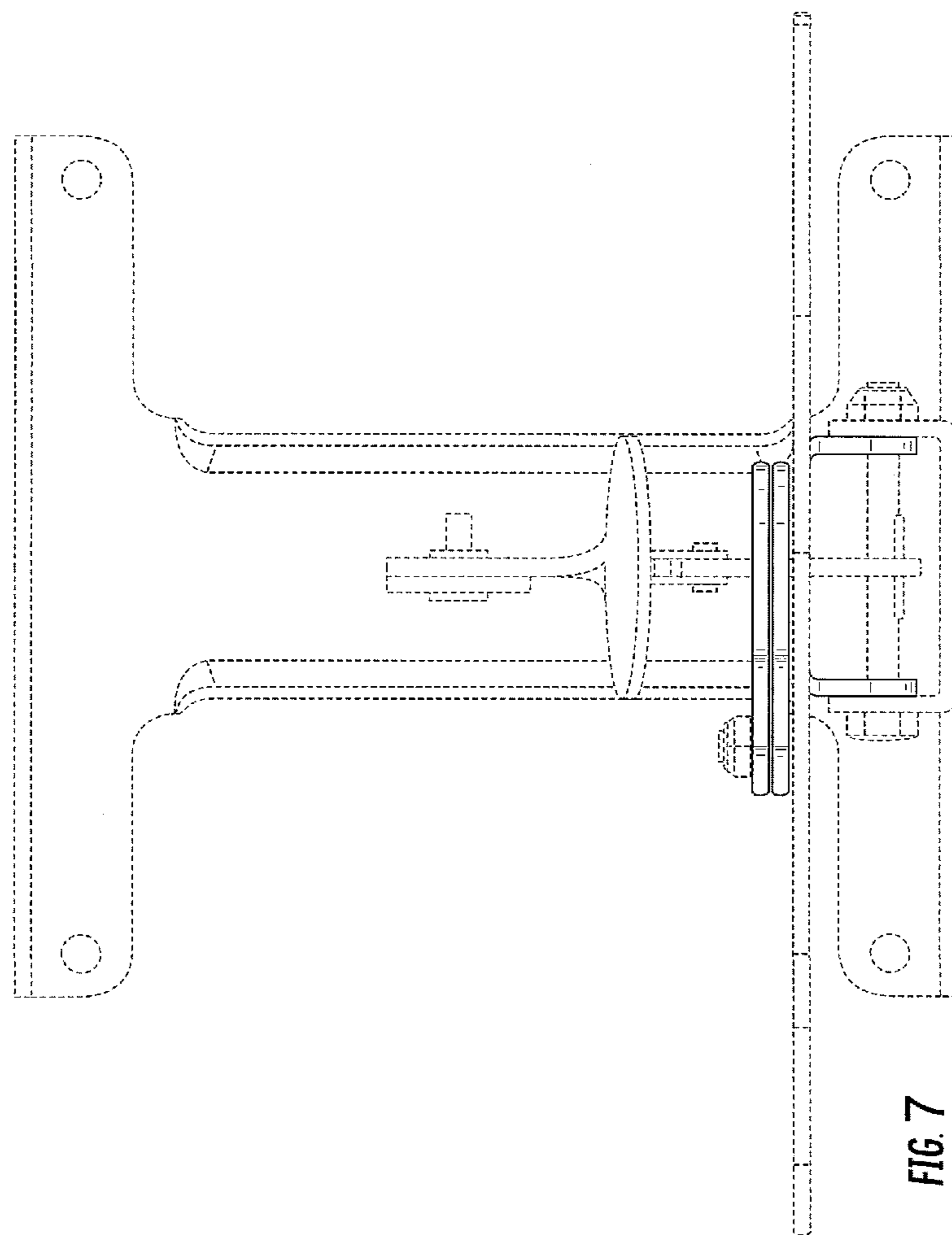


FIG. 6



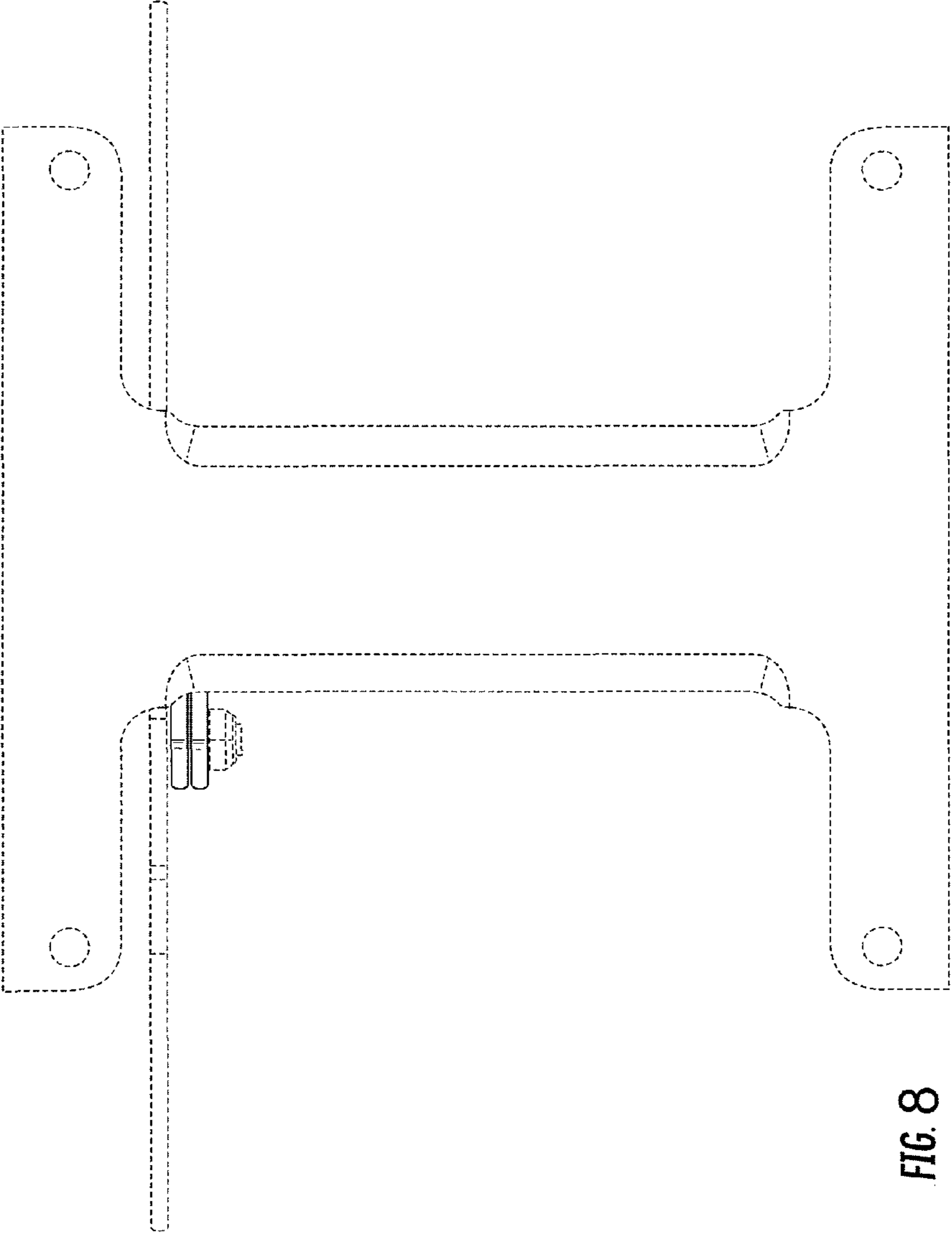


FIG. 8

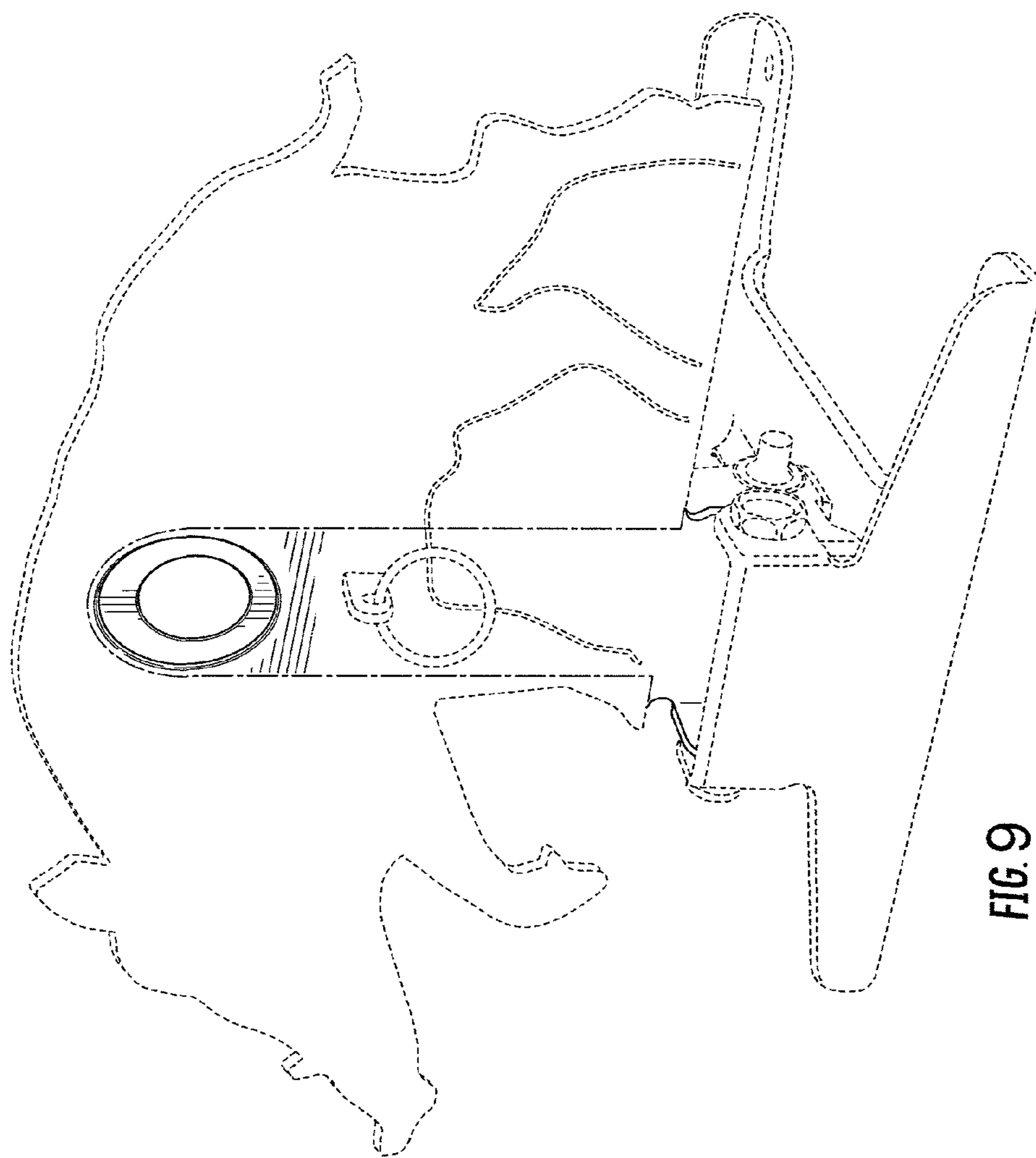


FIG. 9

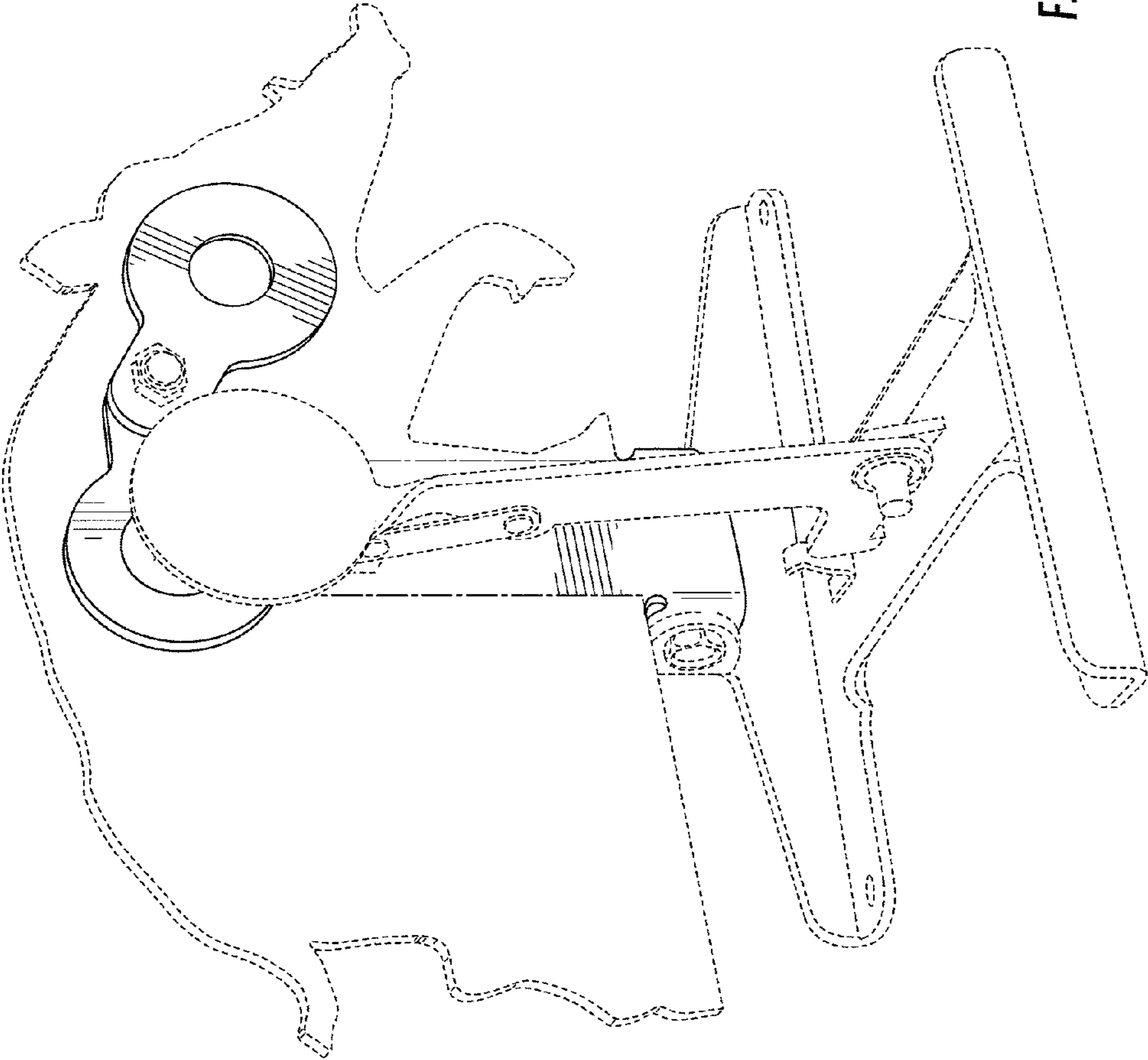


FIG. 10

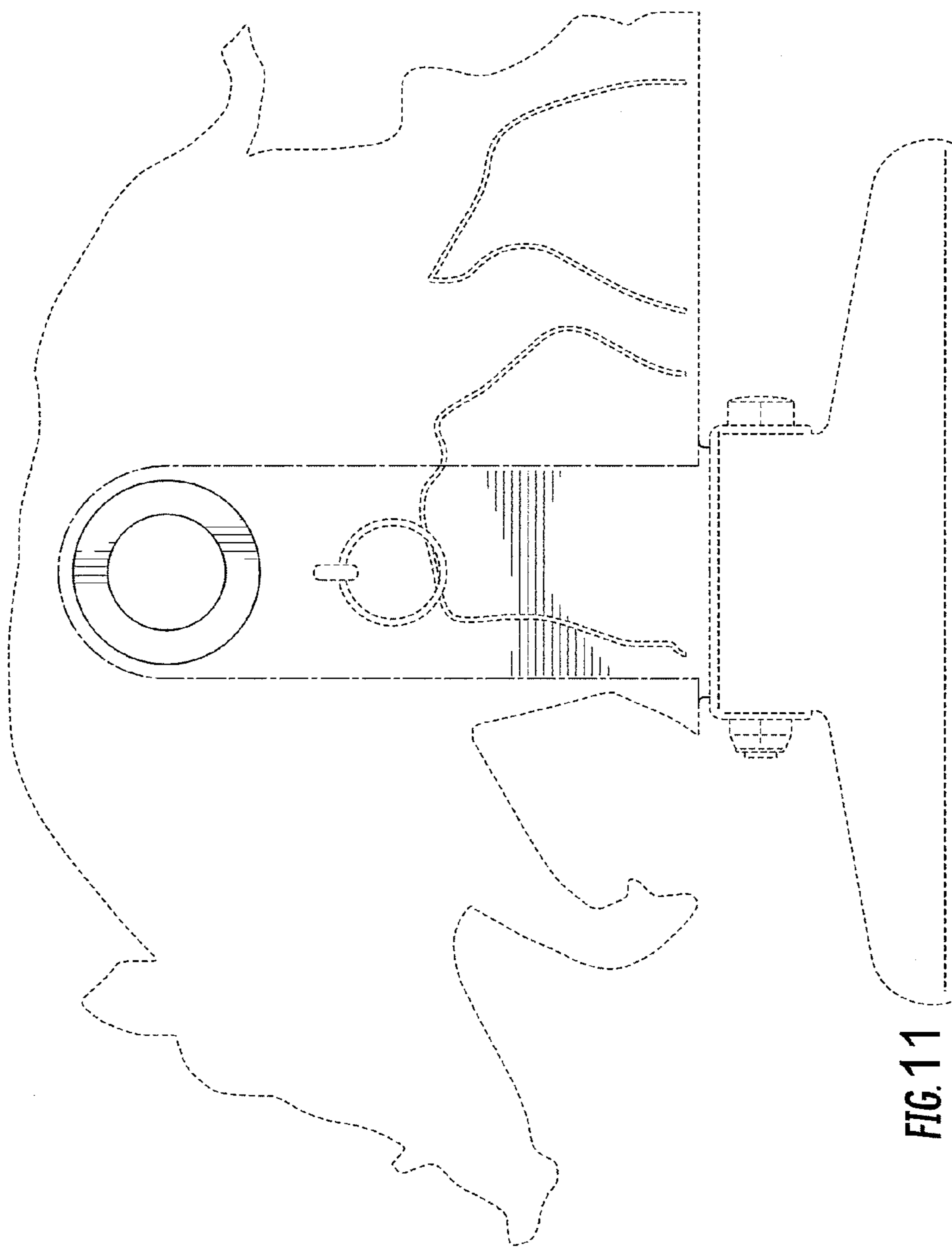


FIG. 11

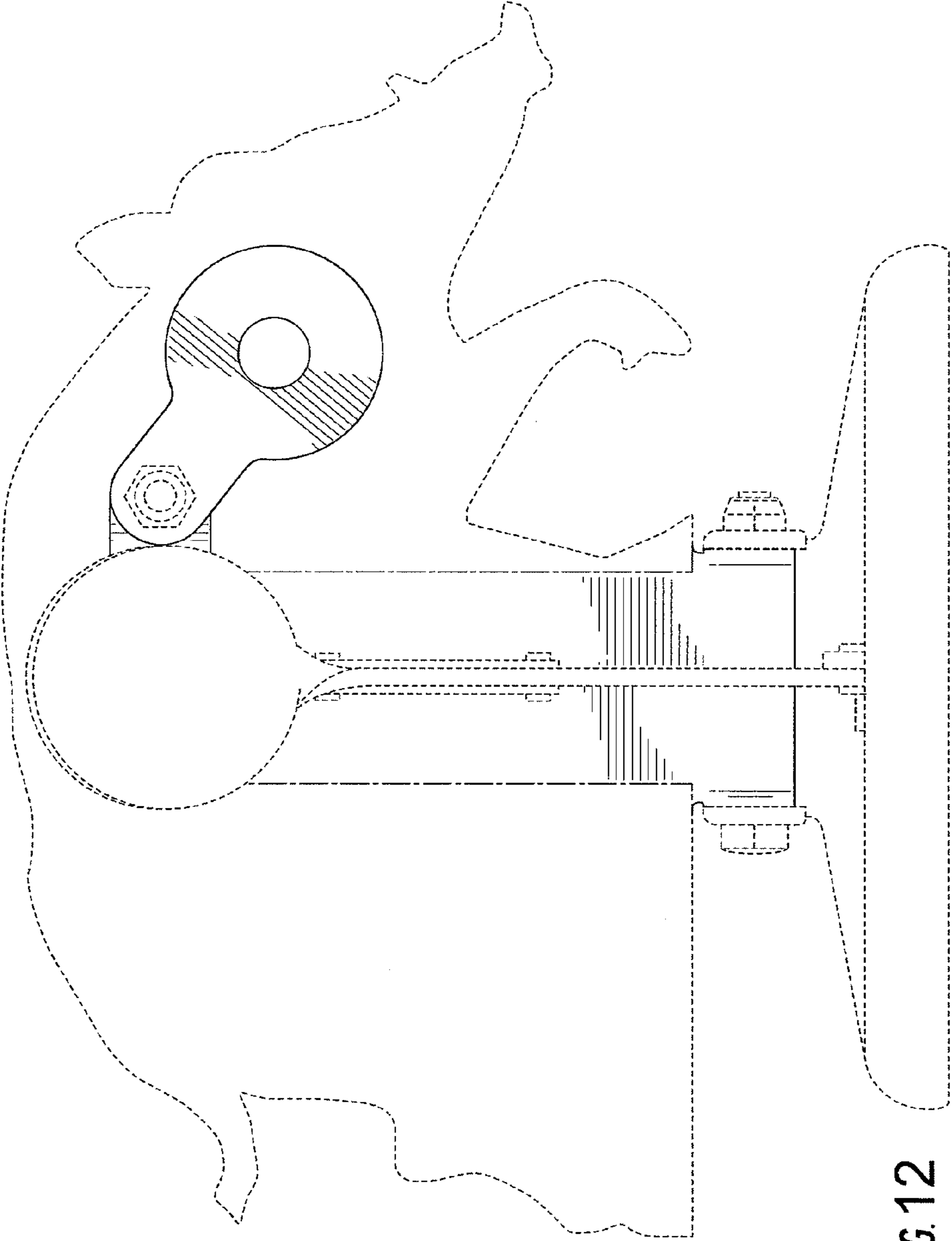


FIG. 12

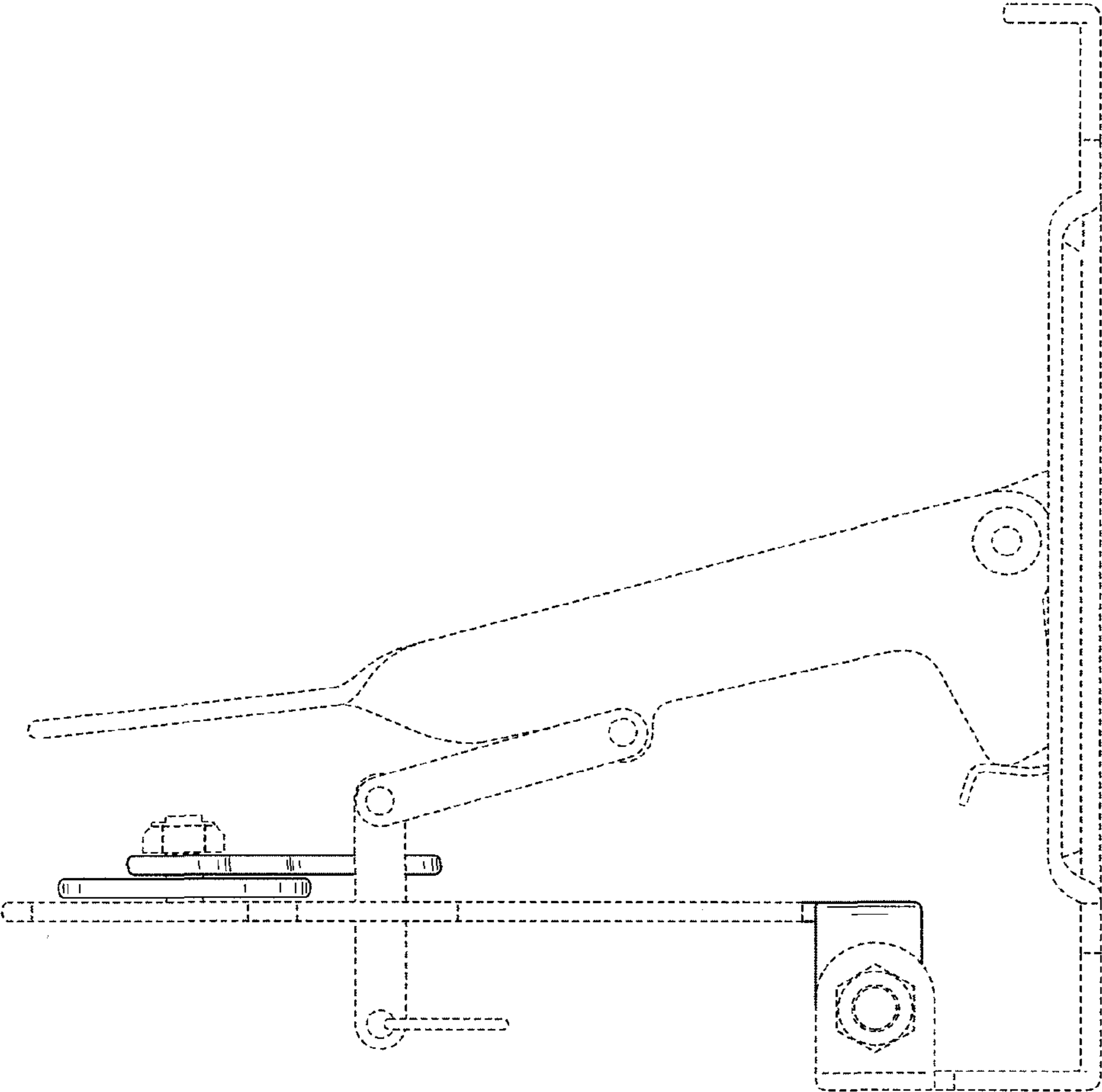


FIG. 13

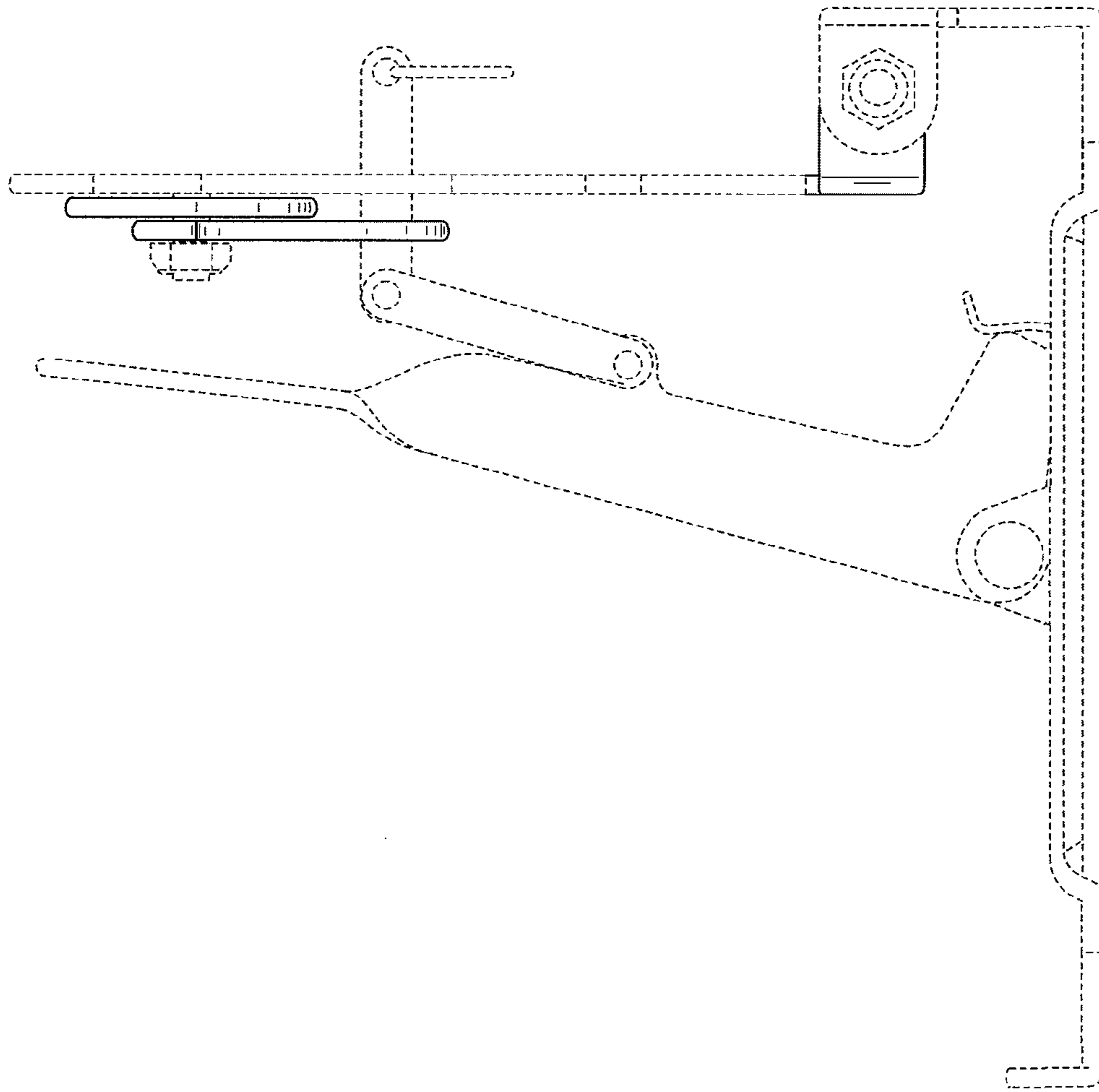
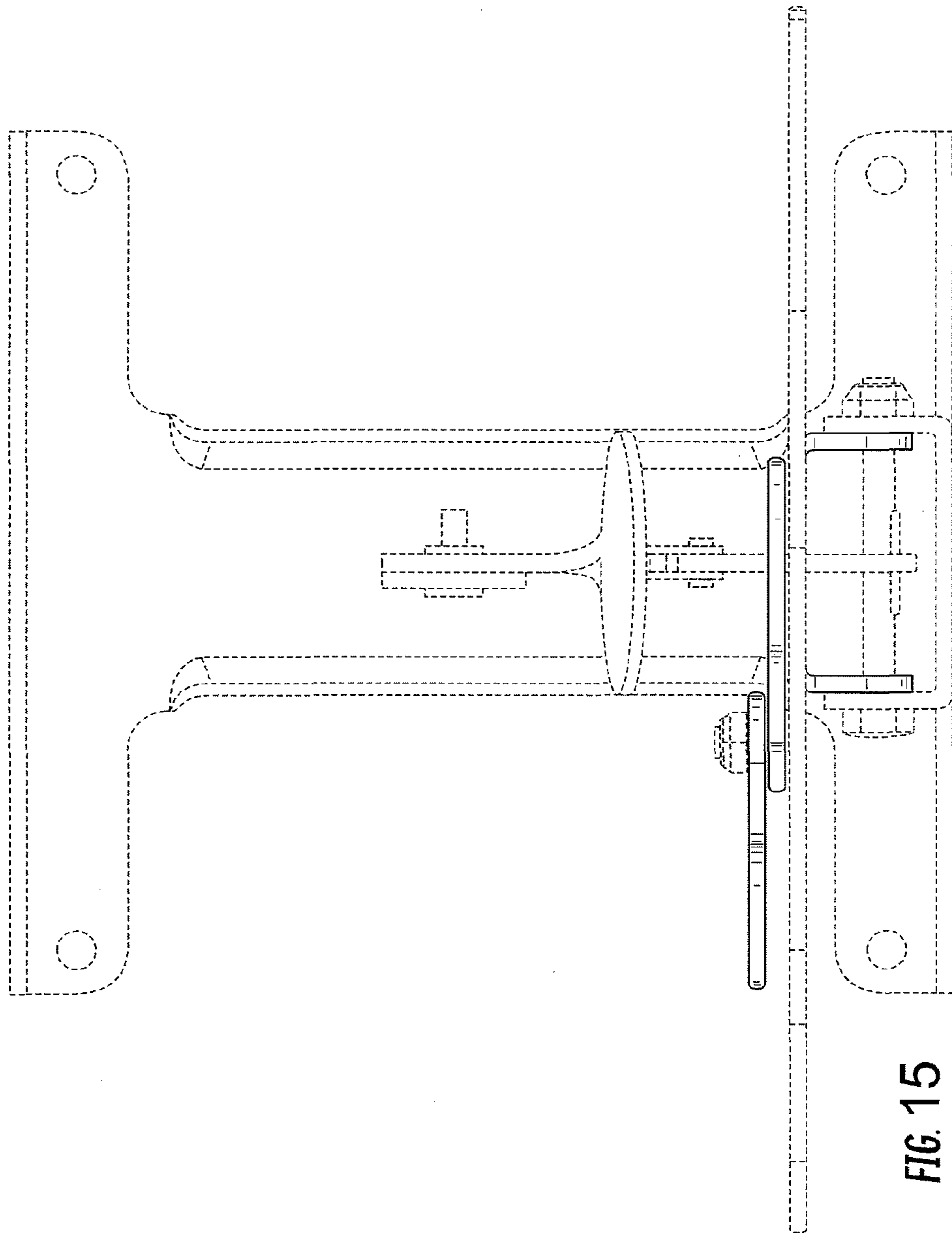


FIG. 14



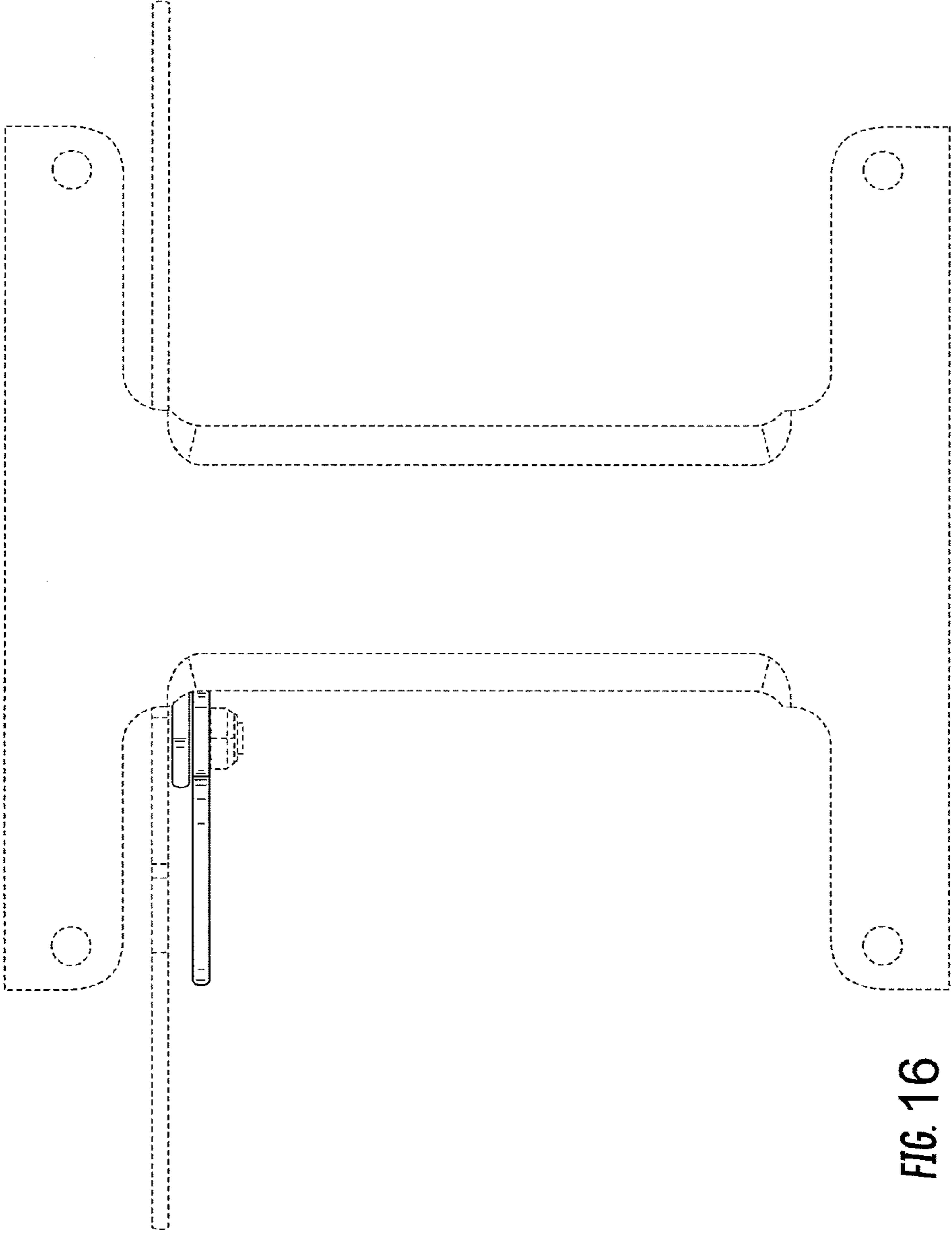


FIG. 16