



US00D747763S

(12) **United States Design Patent**
Haller

(10) **Patent No.:** **US D747,763 S**
(45) **Date of Patent:** **** Jan. 19, 2016**

(54) **ELECTRONIC DEVICE HOUSING FOR A TOUCH SCREEN REGISTER OR THE LIKE**

(71) Applicant: **Elo Touch Solutions, Inc.**, Milpitas, CA (US)

(72) Inventor: **Jeffrey T. Haller**, Redwood City, CA (US)

(73) Assignee: **Elo Touch Solutions, Inc.**, Milpitas, CA (US)

(**) Term: **15 Years**

(21) Appl. No.: **29/532,838**

(22) Filed: **Jul. 10, 2015**

Related U.S. Application Data

(63) Continuation of application No. 29/464,846, filed on Aug. 21, 2013, now Pat. No. Des. 735,805.

(51) **LOC (10) Cl.** **18-01**

(52) **U.S. Cl.**
USPC **D18/4.5**

(58) **Field of Classification Search**
USPC D14/336, 371, 374, 375, 376, 377, 388, D14/389; D18/4.1, 4.3, 4.4, 4.5, 4.6, 11, 12, D18/12.3, 59, 99

CPC G07G 1/0018; G07G 1/0045; G07G 1/14; G06F 1/1632; G06F 2203/04104; G06F 2203/04106; G06Q 20/204; G07F 7/088

See application file for complete search history.

(56) **References Cited**

U.S. PATENT DOCUMENTS

6,034,866 A * 3/2000 Nobuchi G06F 1/1626 248/298.1
D528,146 S * 9/2006 Fitch D14/336
D598,045 S * 8/2009 Iwata D18/4.5
D615,120 S * 5/2010 Ono D18/4.5
D625,355 S * 10/2010 Branck D18/12.3

D647,086 S * 10/2011 Haller D14/336
D647,898 S * 11/2011 Haller D14/336
D654,501 S * 2/2012 Haller D14/375
D681,636 S * 5/2013 Haller D14/377
D688,673 S * 8/2013 Haller D14/451

(Continued)

OTHER PUBLICATIONS

<http://touchstreamdigital.com/featured-products/introducing-the-elo-paypoint-pos-has-never-looked-this-good/> Found Sep. 2, 2015.*

(Continued)

Primary Examiner — Eric Goodman

Assistant Examiner — Amy Wierenga

(74) *Attorney, Agent, or Firm* — Alston & Bird LLP

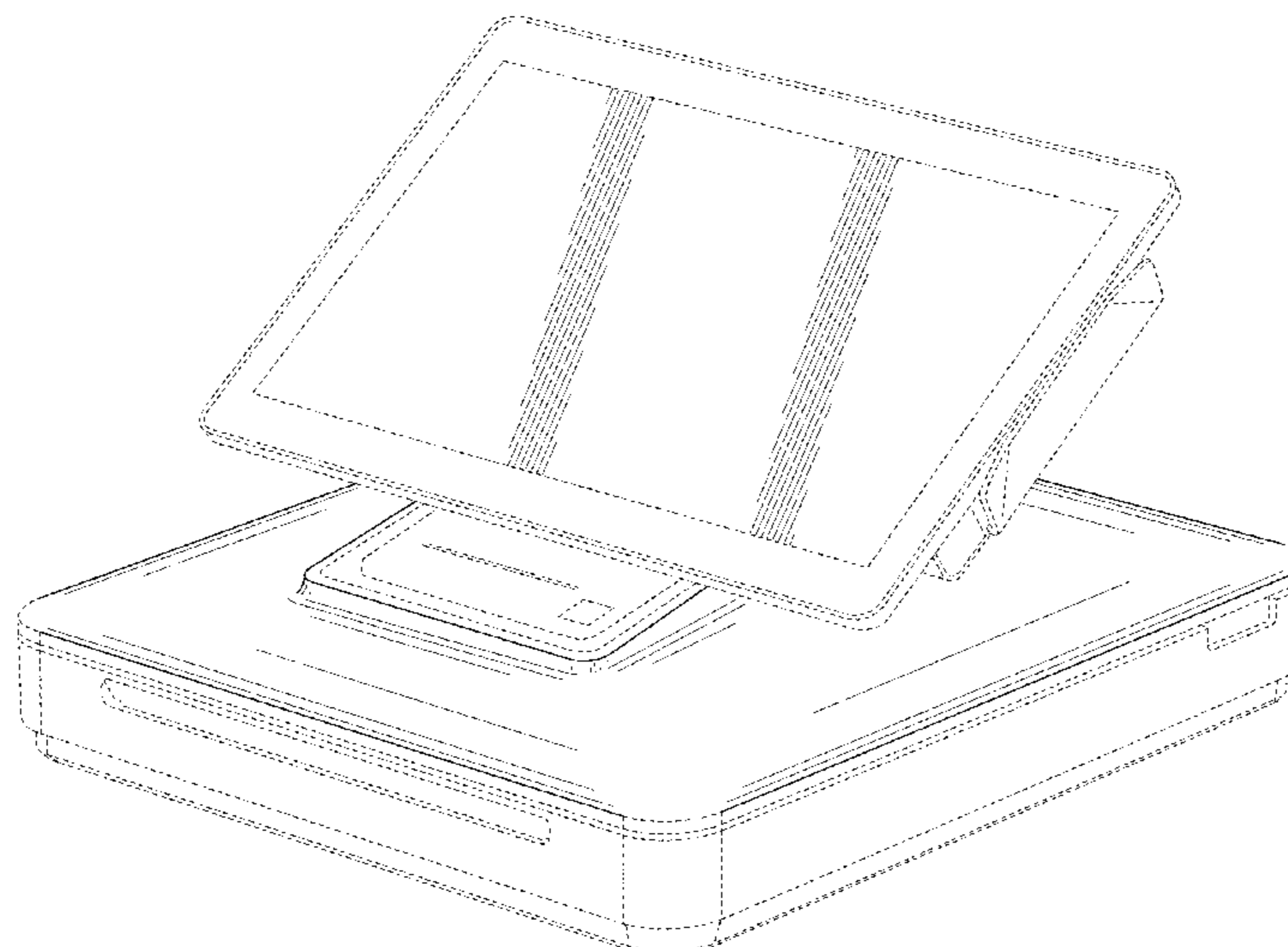
(57) **CLAIM**

I claim the ornamental design for an electronic device housing for a touch screen register or the like, as shown and described.

DESCRIPTION

FIG. 1 is a perspective view of an electronic device for a touch screen register or the like showing my new design;
FIG. 2 is a front elevation view thereof;
FIG. 3 is a rear elevation view thereof;
FIG. 4 is a left side elevation view thereof;
FIG. 5 is a right side elevation view thereof;
FIG. 6 is a top plan view thereof;
FIG. 7 is another perspective view thereof;
FIG. 8 is a cross-sectional partial top plan view thereof taken along line 17-17 of FIG. 5; and,
FIG. 9 is another right side elevation view thereof, shown with the touch screen in another position of use.
The broken lines shown in the drawings depict portions of the article and form no part of the claimed design. The bottom of the design is unornamented and forms no part of the claimed design.

1 Claim, 9 Drawing Sheets



(56)

References Cited

U.S. PATENT DOCUMENTS

D693,343 S * 11/2013 Haller D14/374
 D696,659 S * 12/2013 Chen D14/315
 D706,766 S * 6/2014 Lee D14/316
 D713,447 S * 9/2014 Balar D18/4.6
 D714,788 S * 10/2014 Haller D14/434
 D729,805 S * 5/2015 Bataillou D14/432
 D735,805 S * 8/2015 Haller D18/46
 2013/0262248 A1 * 10/2013 Kim G07G 1/0018
 705/17
 2015/0199667 A1 * 7/2015 Fernando G06Q 20/202
 705/21
 2015/0199668 A1 * 7/2015 Fernando G06Q 30/0268
 705/14.65
 2015/0199882 A1 * 7/2015 Fernando G07G 1/0018
 345/173

OTHER PUBLICATIONS

<https://www.youtube.com/watch?v=mLKAzwgWNRE> Published
 Oct. 9, 2014 Found Sep. 2, 2015.*
 Casio V-R100 Android Terminal Retrieved from the Internet: <URL:
<http://www.cev.ie>>. (dated Apr. 16, 2013) 6 pages.
 CashRegisterStore.com: Cash Registers: Casio: Casio V-R 100:
 Casio V-R100 Touch Screen Tablet [online] [retrieved Jul. 1, 2013].
 Retrieved from the Internet: <URL:www.cashregisterstore.com/

[xcart/product.php?productid=4675&cat=2799](http://www.cashregisterstore.com/xcart/product.php?productid=4675&cat=2799) &page=1>.
 (undated) 3 pages.
 Casio VR 100 Till EPOS Systems, Android App Suppliers, Software
 Company [online] [retrieved Jul. 1, 2013]. Retrieved from the
 Internet: <URL: www.casiovr100.co.uk>. (dated 2012) 4 pages.
 POS Software and Hardware, Retail and Restaurant POS Systems,
 Security cameras, DVR, Recorders, Portable Inventory | Interna-
 tional Point of Sale [online] [retrieved Jul. 1, 2013]. Retrieved from
 the Internet: <URL:www.internationalpointofsale.com/
 completepos.html>. (dated 2009) 4 pages.
 Wholesale All in one touch POS machine touch screen terminal cash
 register wireless meals ordering set, \$397.1~418.0/Set | DHgate
 [online] [retrieved Jul. 1, 2013]. Retrieved from the Internet:
 <URL:www.dhgate.com/product/all-in-one-touch-pos-machine-
 touch-screen/135165997.html>. (undated) 1 page.
 Aliexpress.com:Buy 15" all in one touch screen cash register from
 Reliable touch screen cash register supplies on Professional touch
 screen POS system . . . [online] [retrieved Jul. 1, 2013]. Retrieved
 from the Internet: <URL: www.aliexpress.com/store/product/15-all-
 in-one-touch-screen-cash-register/803507_522289154.html>.
 (dated 1999-2013) 12 pages.
 Posiflex XP3315 Series Electronic Cash Register (ECR) [online]
 [retrieved Jul. 1, 2013]. Retrieved from the Internet: <URL:www.
 posiflexusa.com/xp3315.php>. (dated 2013) 1 page.

* cited by examiner

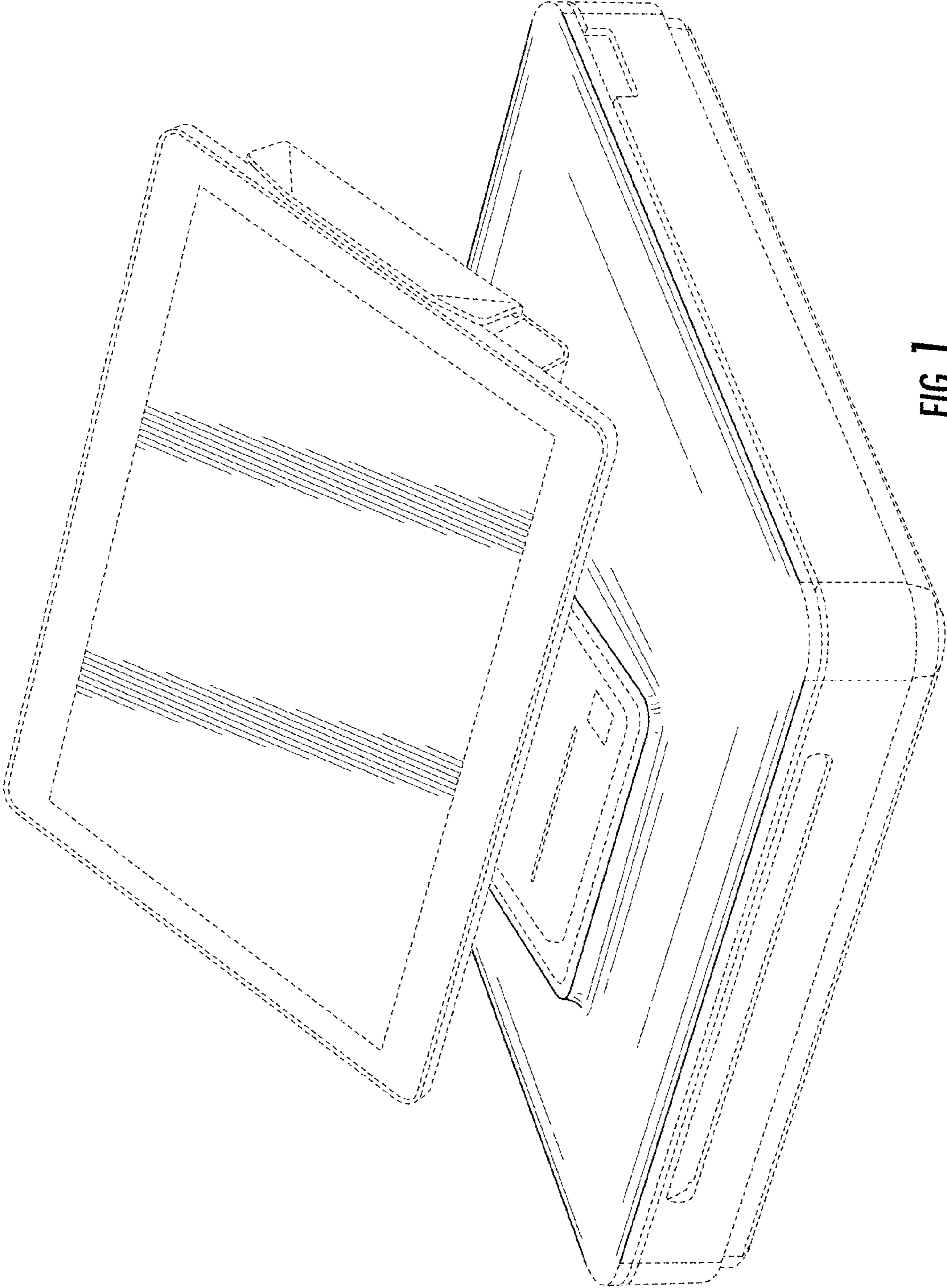


FIG. 1

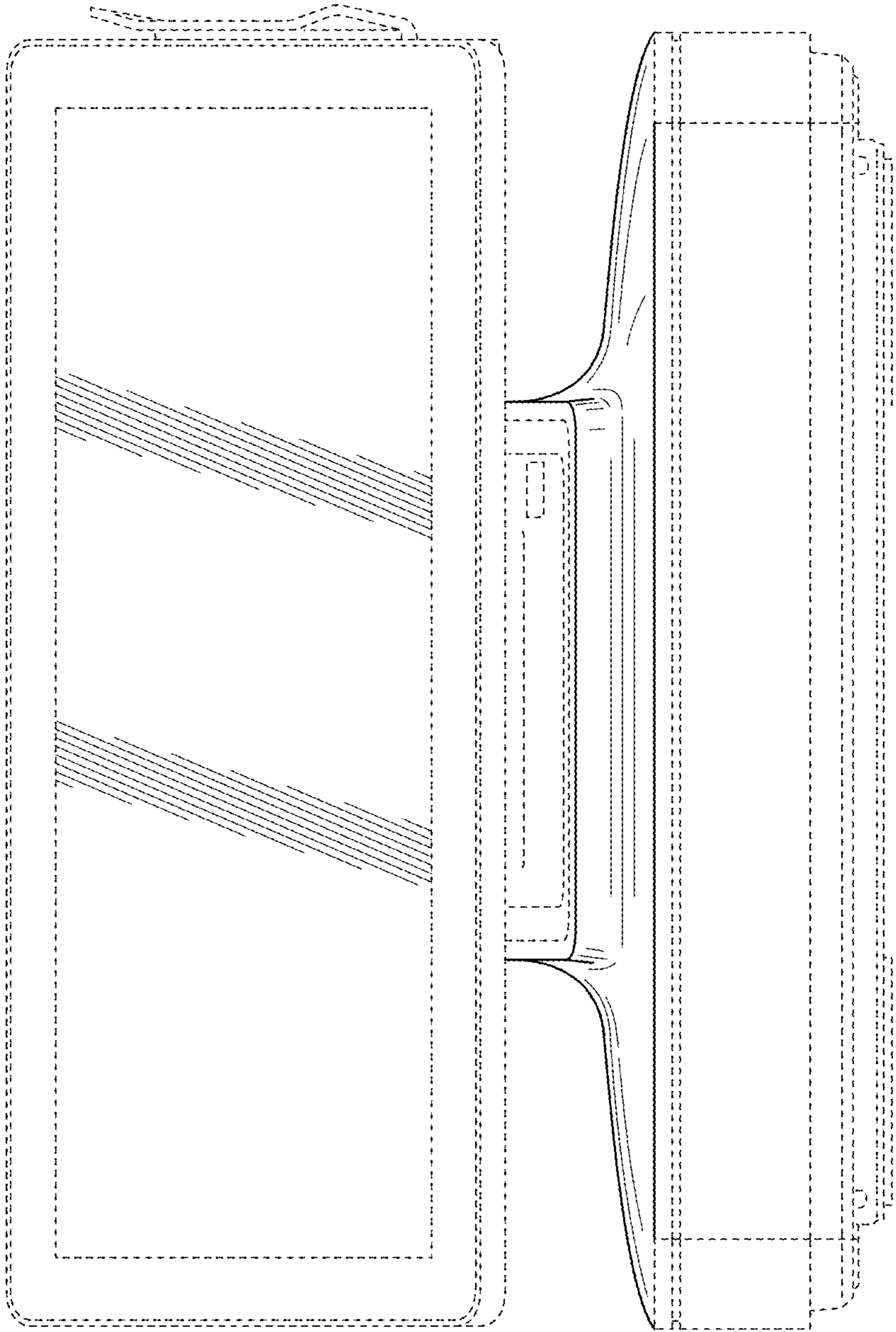


FIG. 2

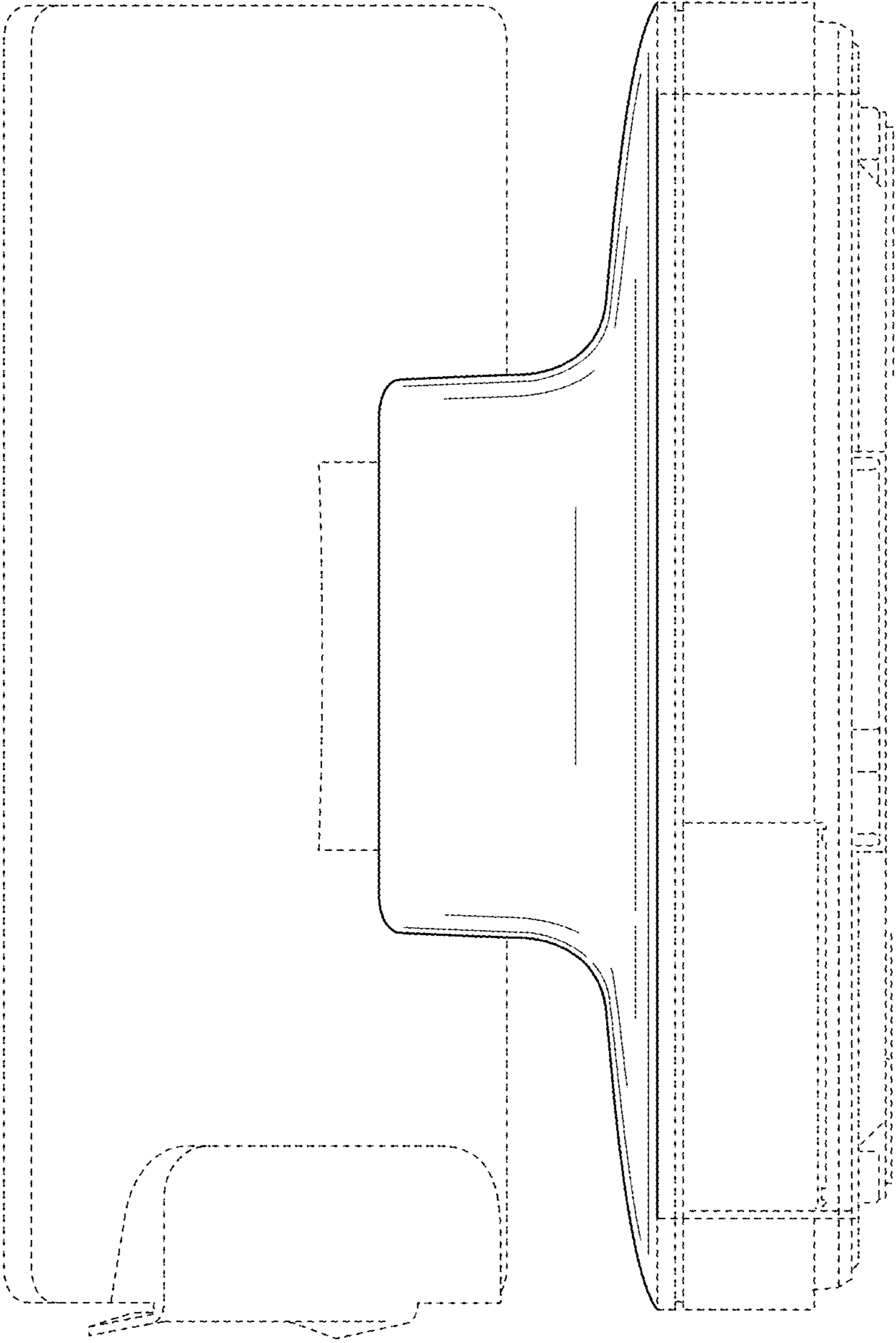


FIG. 3

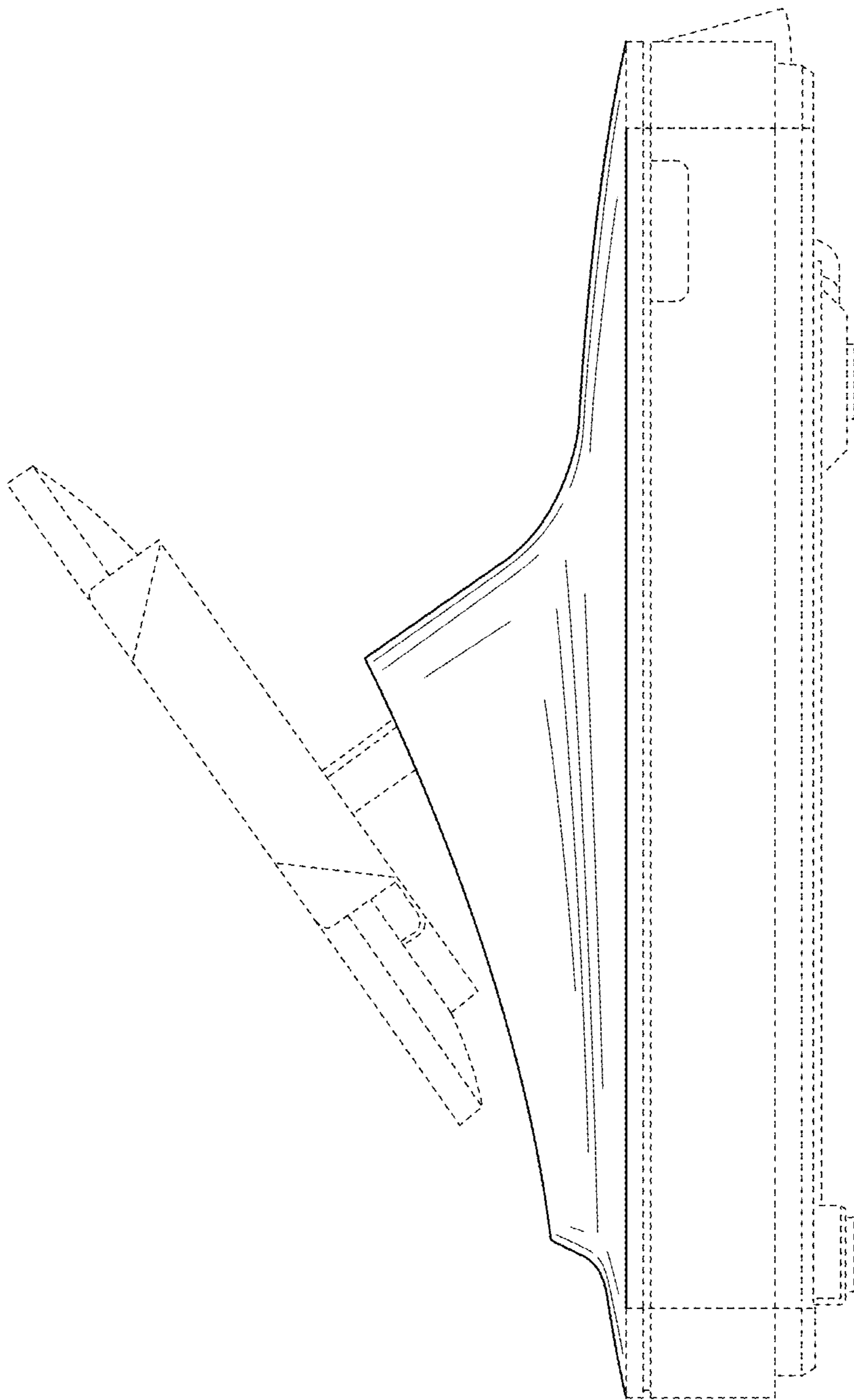


FIG. 4

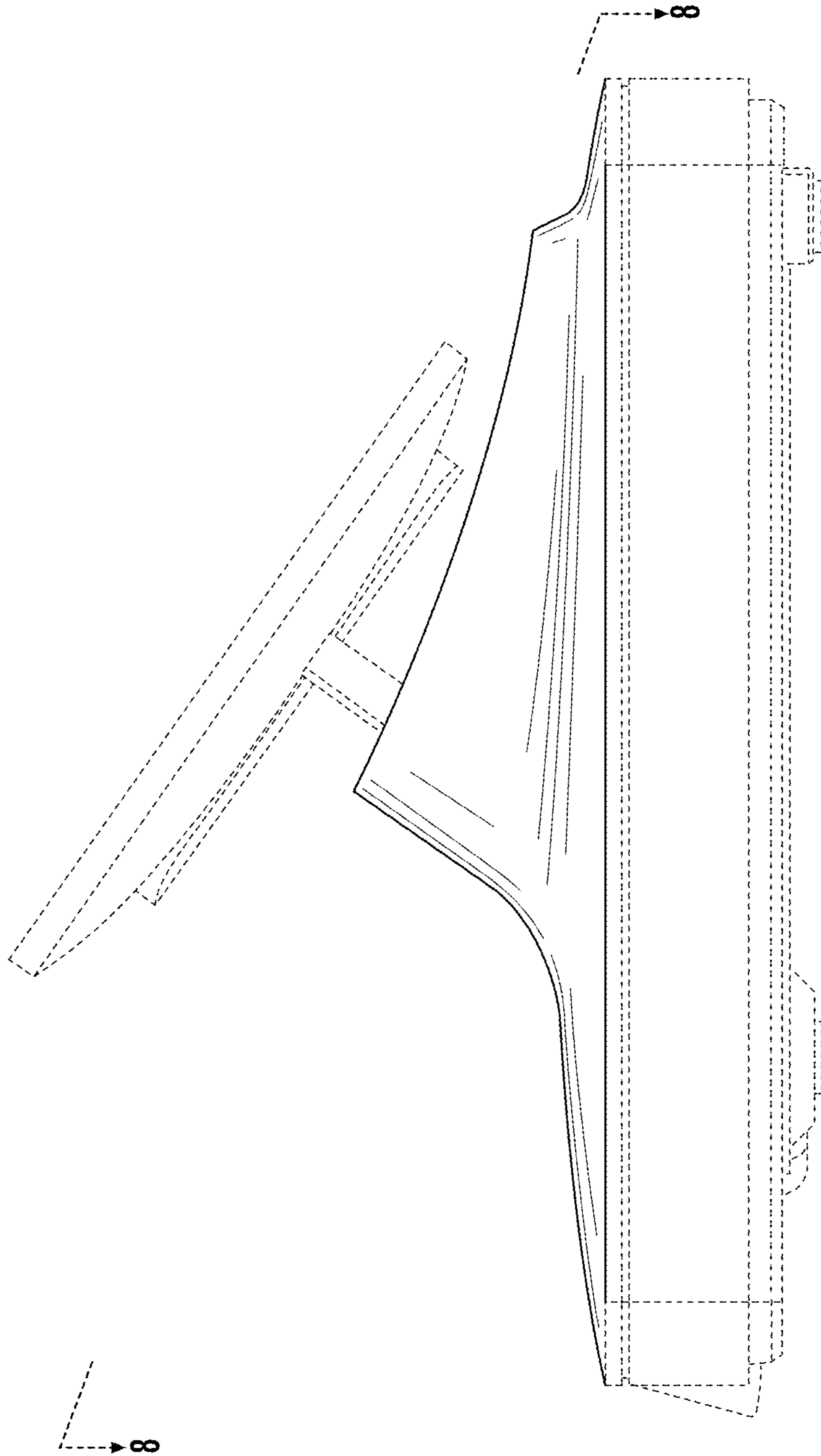


FIG. 5

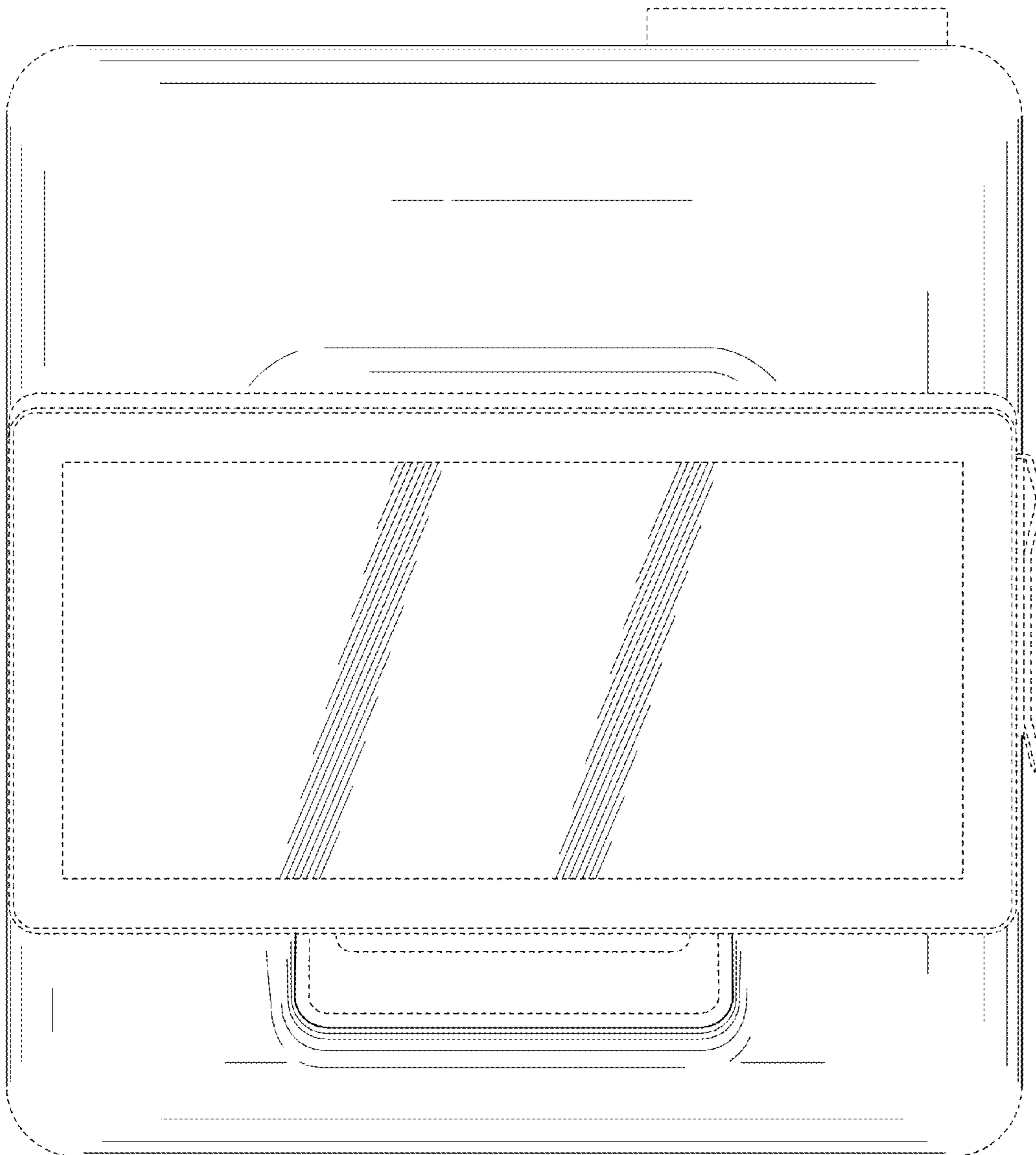


FIG. 6

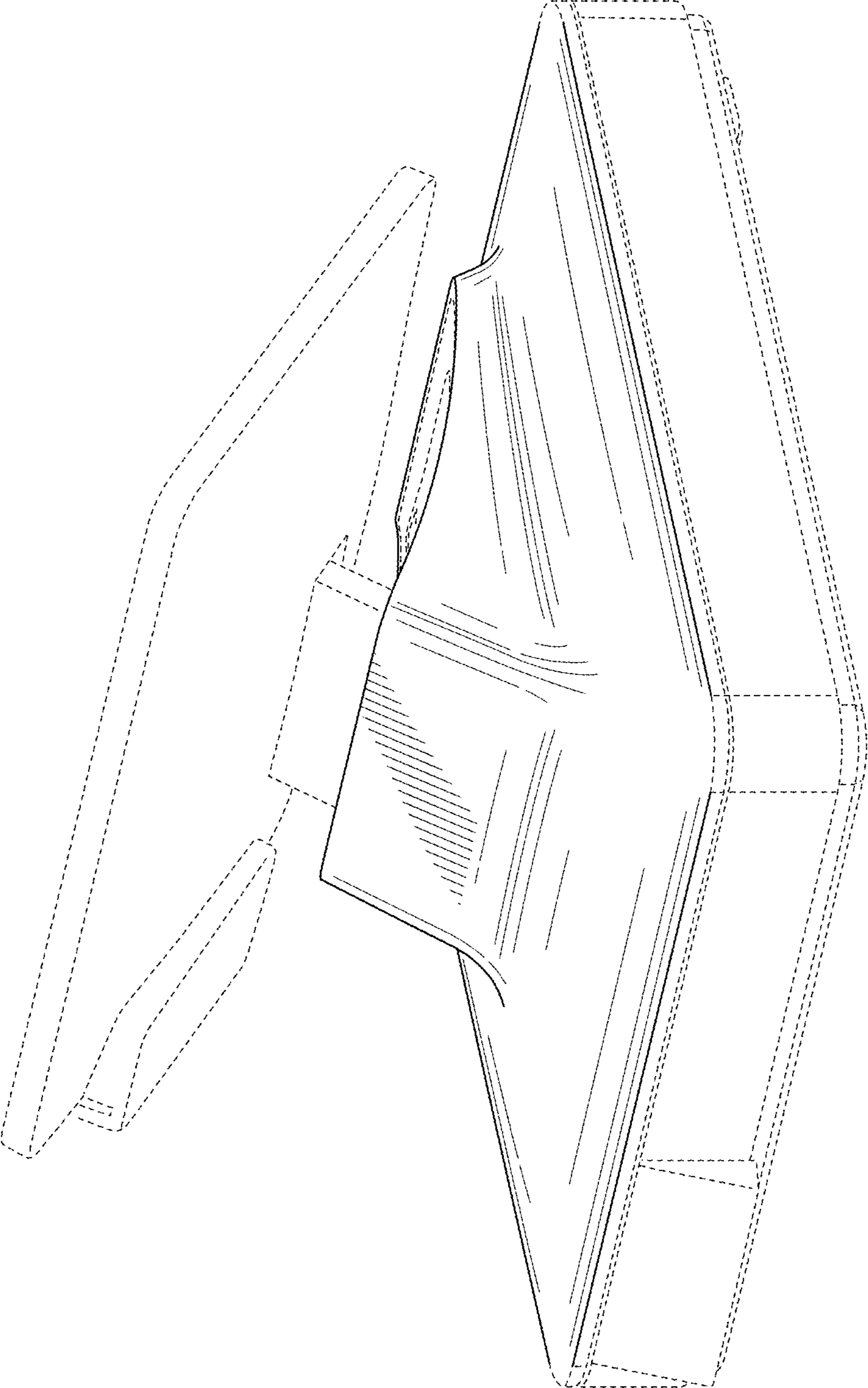


FIG. 7

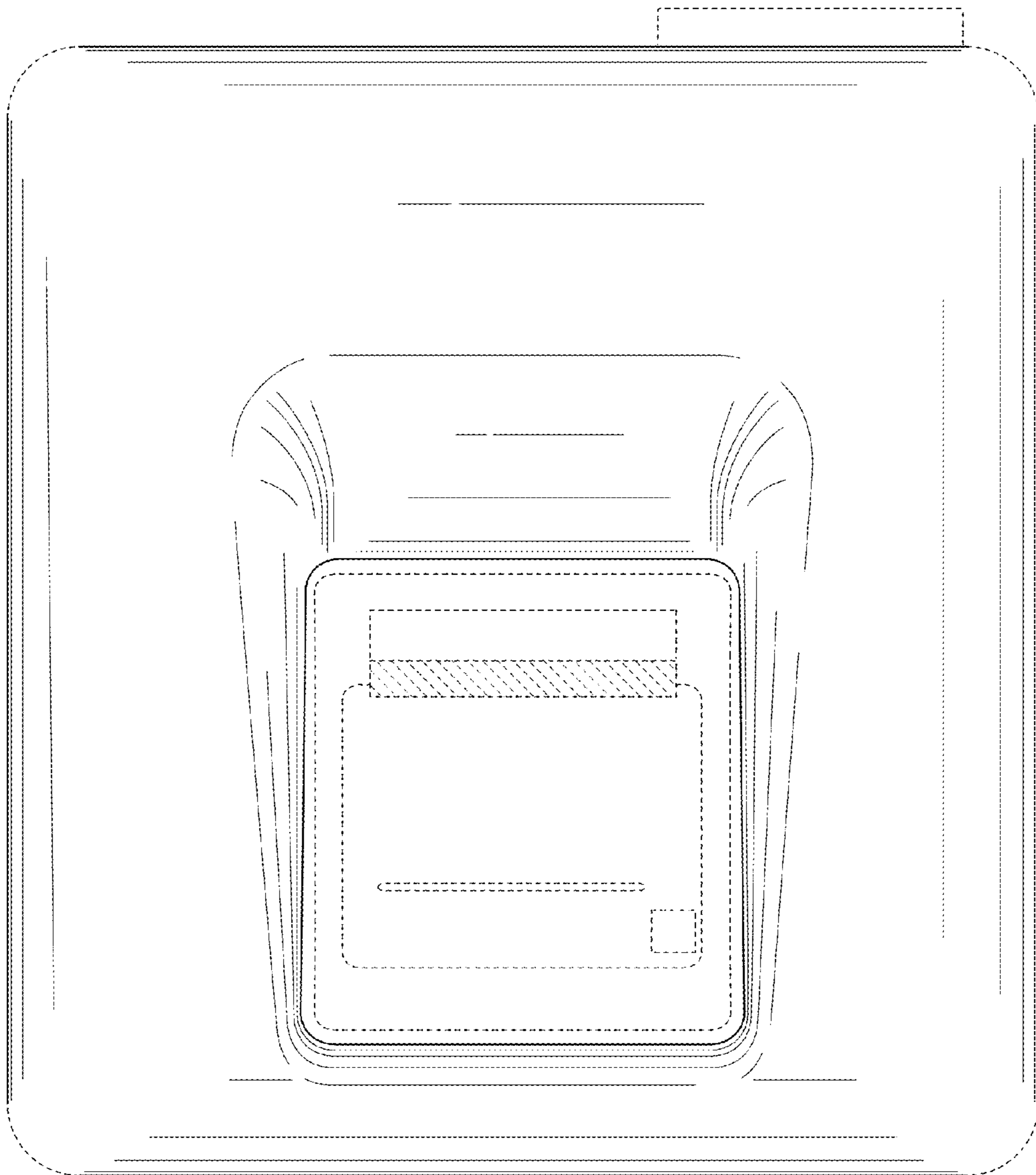


FIG. 8

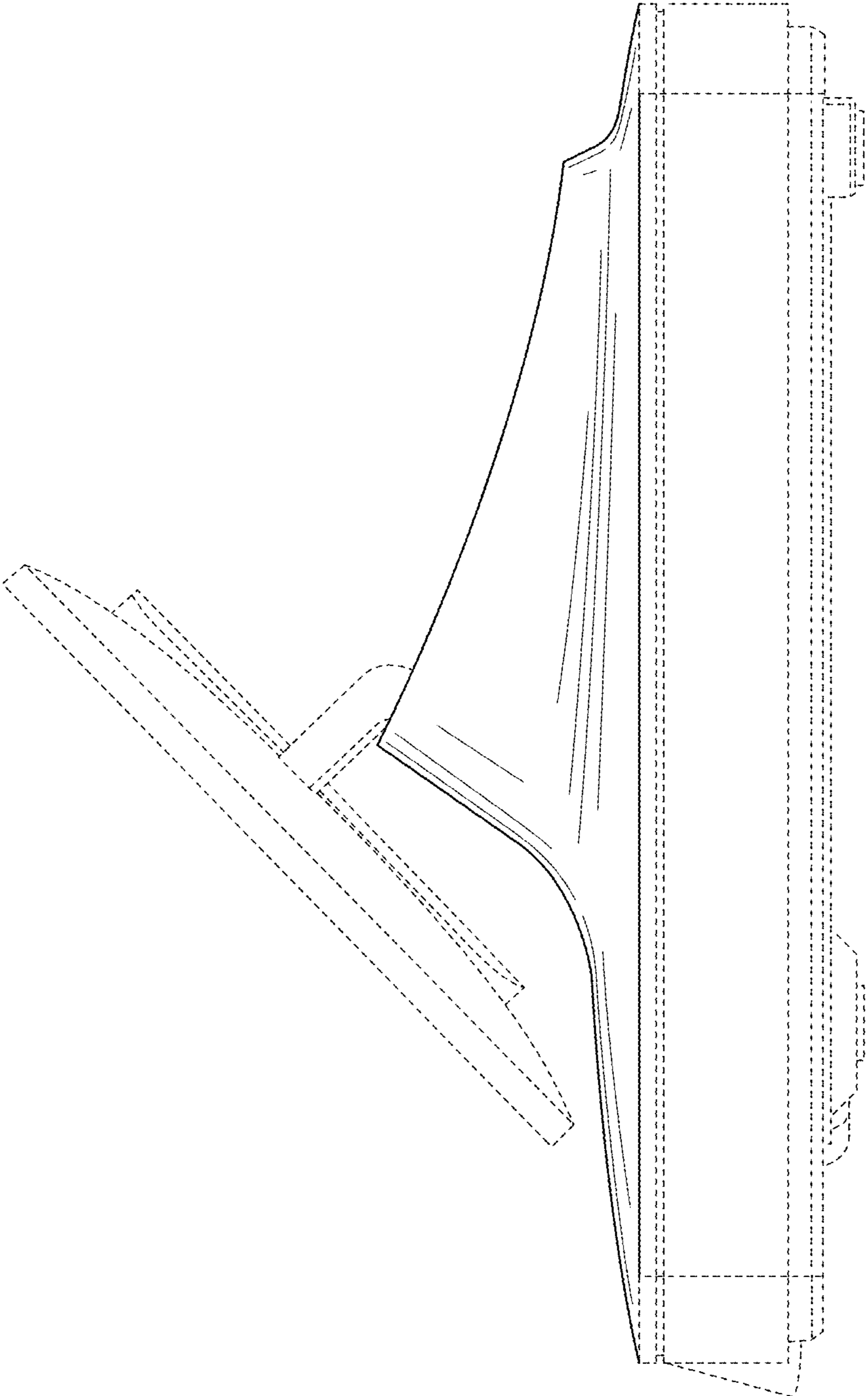


FIG. 9