



US00D747759S

(12) **United States Design Patent**
Ho

(10) **Patent No.:** **US D747,759 S**
(45) **Date of Patent:** **** Jan. 19, 2016**

(54) **CLIP-ON LENS CARRIER FOR SMART EYEWEAR**

(71) Applicant: **Patrick C. Ho**, Hilton, NY (US)
(72) Inventor: **Patrick C. Ho**, Hilton, NY (US)
(73) Assignee: **Alpha Primitus, Inc.**, Hong Kong (HK)
(**) Term: **14 Years**
(21) Appl. No.: **29/499,301**

(22) Filed: **Aug. 13, 2014**

(51) **LOC (10) Cl.** **16-06**

(52) **U.S. Cl.**
USPC **D16/326**; D16/900; D16/101

(58) **Field of Classification Search**
USPC D16/101, 300-342, 900; D29/109-110;
351/41, 44, 51-52, 62, 158, 92,
351/103-123, 140-153, 63, 59, 45-48;
2/426-432, 447-449, 441, 434-437,
2/13, 15; D21/483, 659-661; D14/372
CPC G02C 2200/08; G02C 1/06; G02C 5/14;
G02C 11/02; G02C 11/04; G02C 5/16;
G02C 2200/22; G02C 5/146; G02C 5/2254;
G02C 5/008; G01C 5/16; A61M 2021/0044;
A63B 33/002

See application file for complete search history.

(56) **References Cited**

U.S. PATENT DOCUMENTS

4,890,910	A *	1/1990	Gazeley	351/47
D345,367	S *	3/1994	Wulf	D16/316
5,412,812	A *	5/1995	Gatchalian	2/10
D377,364	S *	1/1997	Dinges	D16/304
6,705,721	B1 *	3/2004	Chen	351/47
7,178,916	B1 *	2/2007	Chen	351/47
7,192,134	B2 *	3/2007	Teng	351/47
7,422,321	B2 *	9/2008	Wang	351/57
7,475,981	B2 *	1/2009	Yong	351/47
7,497,570	B2 *	3/2009	Cohen et al.	351/47
7,661,815	B2 *	2/2010	Lipawsky	351/47
D732,026	S *	6/2015	Kim	D14/372
D732,027	S *	6/2015	Cazalet et al.	D14/372

* cited by examiner

Primary Examiner — Raphael Barkai

(74) *Attorney, Agent, or Firm* — Joseph M. Noto; Bond, Schoeneck & King PLLC

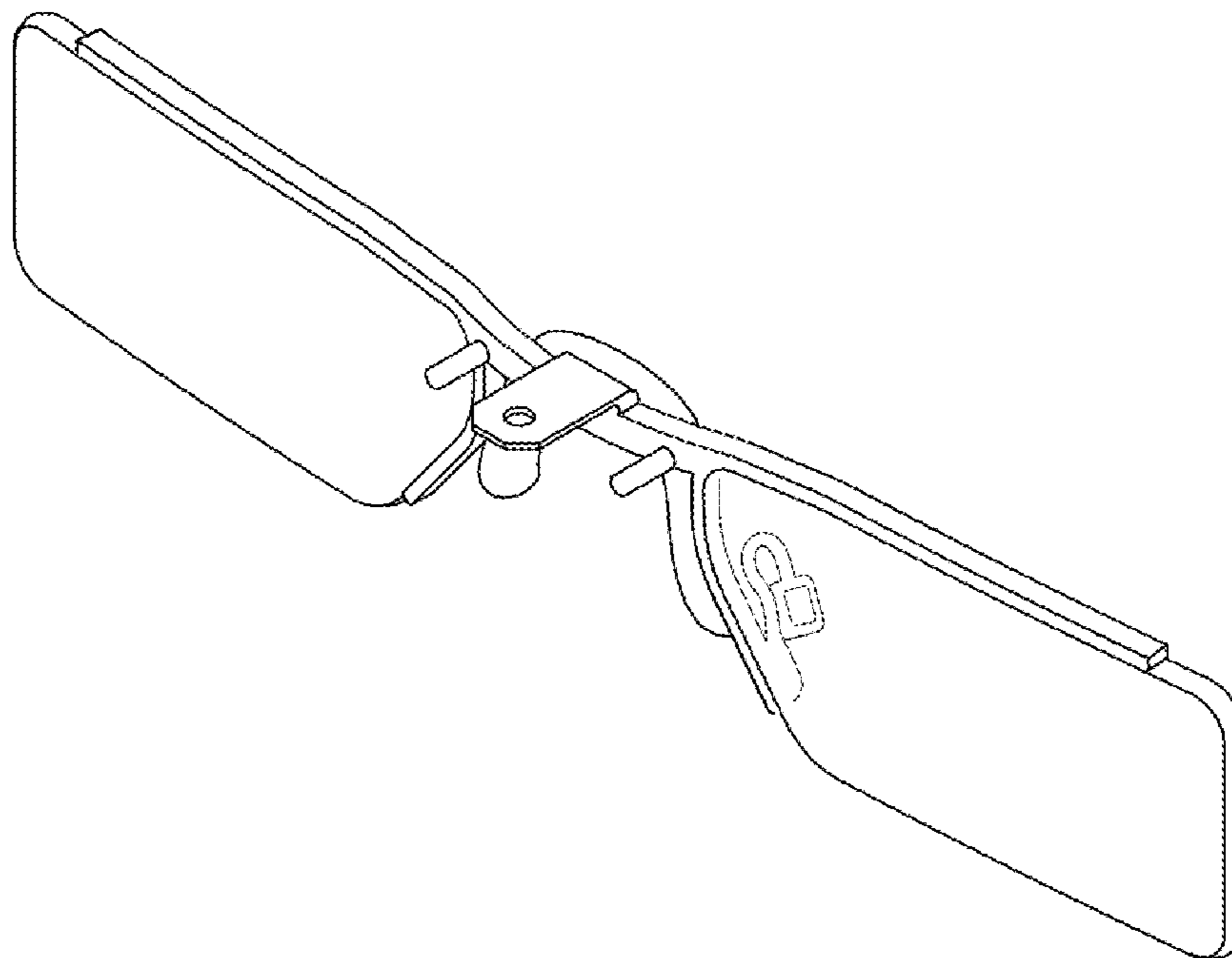
(57) **CLAIM**

The ornamental design for a clip-on lens carrier for smart eyewear, as shown and described.

DESCRIPTION

FIG. 1 is a perspective view of a clip-on lens carrier for smart eyewear for the new design;
FIG. 2 is a perspective view thereof;
FIG. 3 is a front elevational view thereof;
FIG. 4 is a rear elevational view thereof;
FIG. 5 is a side elevational view thereof;
FIG. 6 is a side elevational view thereof;
FIG. 7 is a top plan view thereof; and,
FIG. 8 is a bottom plan view thereof.

1 Claim, 8 Drawing Sheets



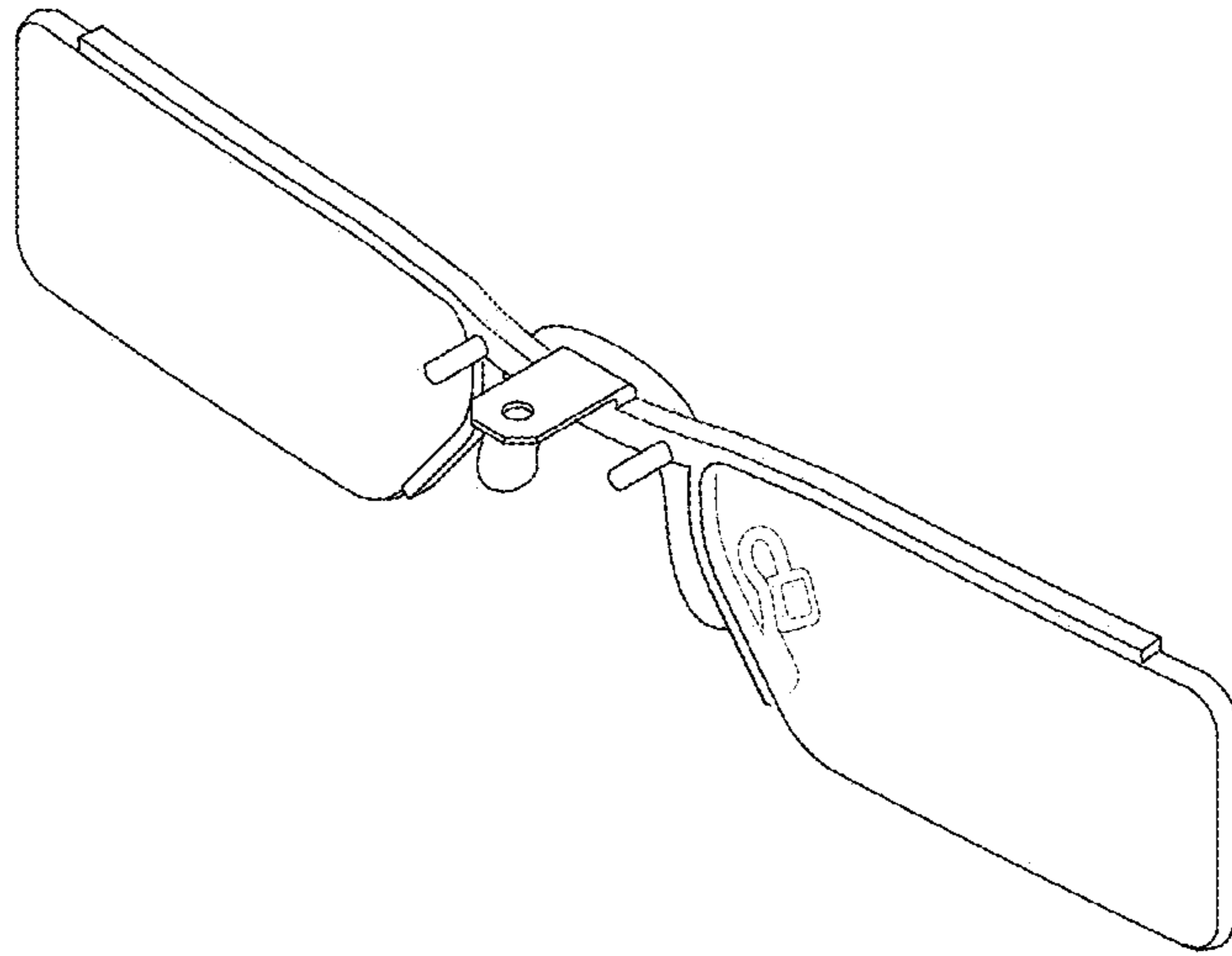


FIG. 1

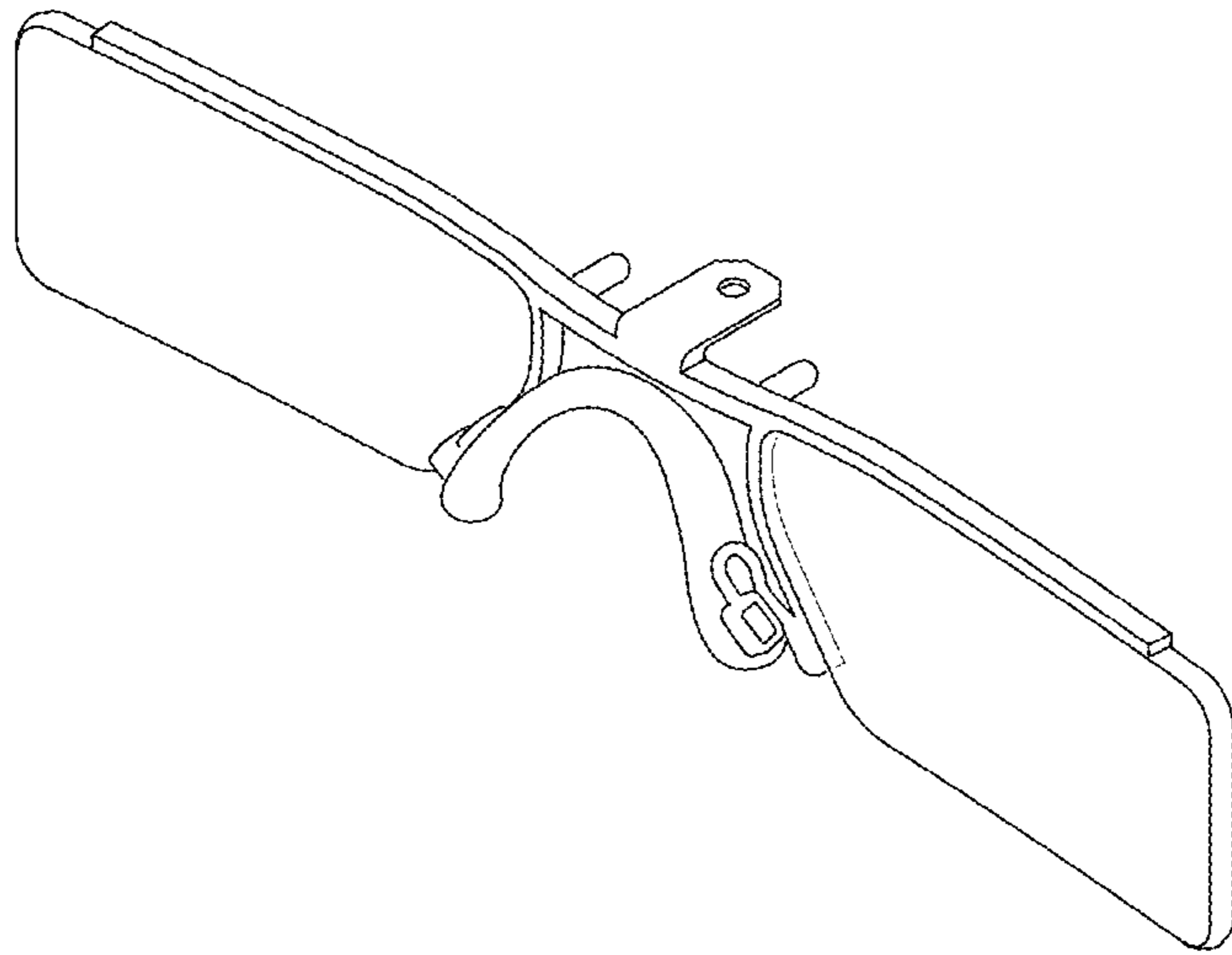


FIG. 2

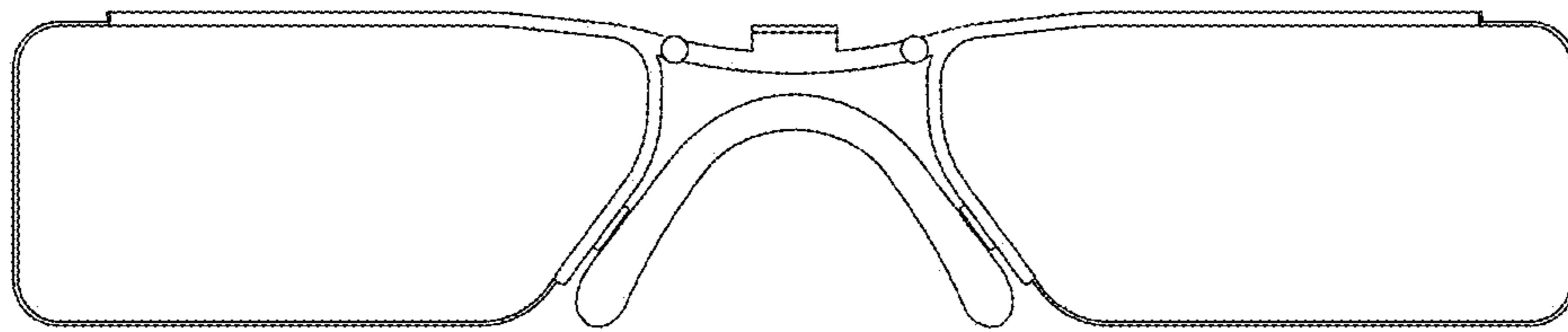


FIG. 3

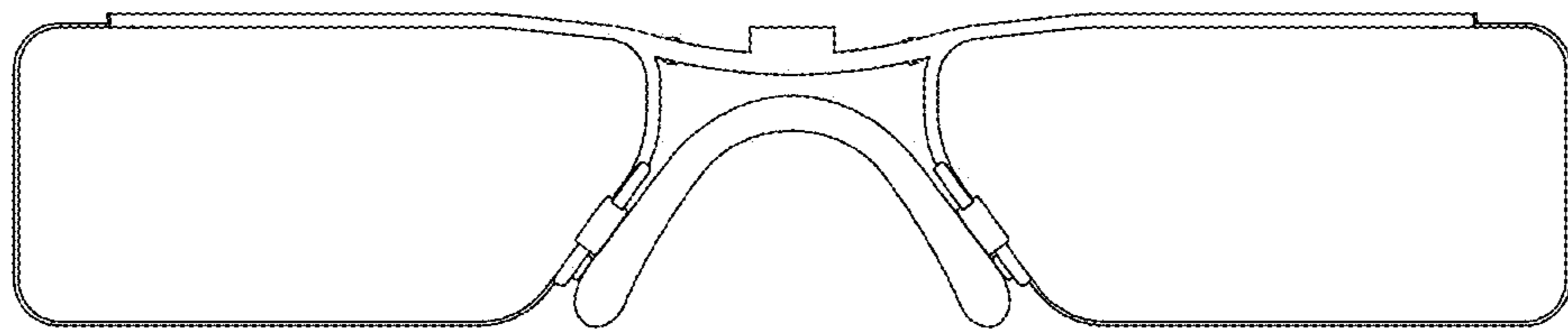


FIG. 4

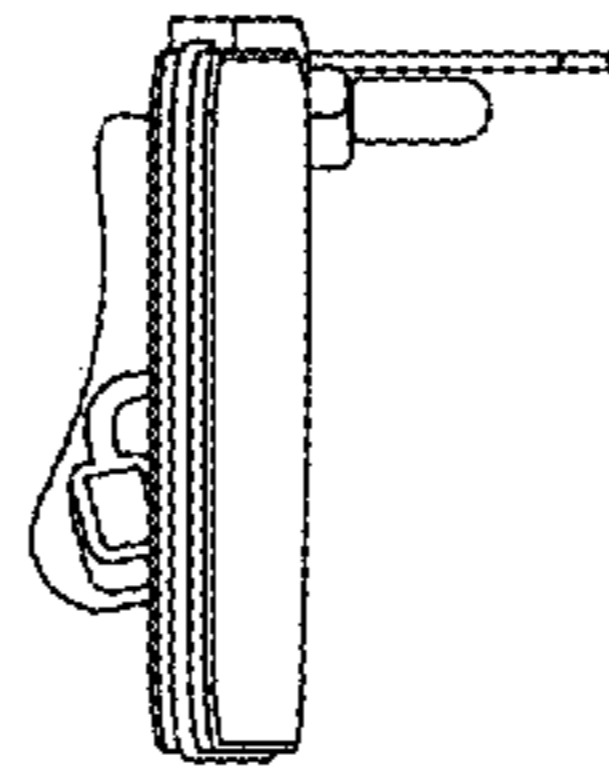


FIG. 5

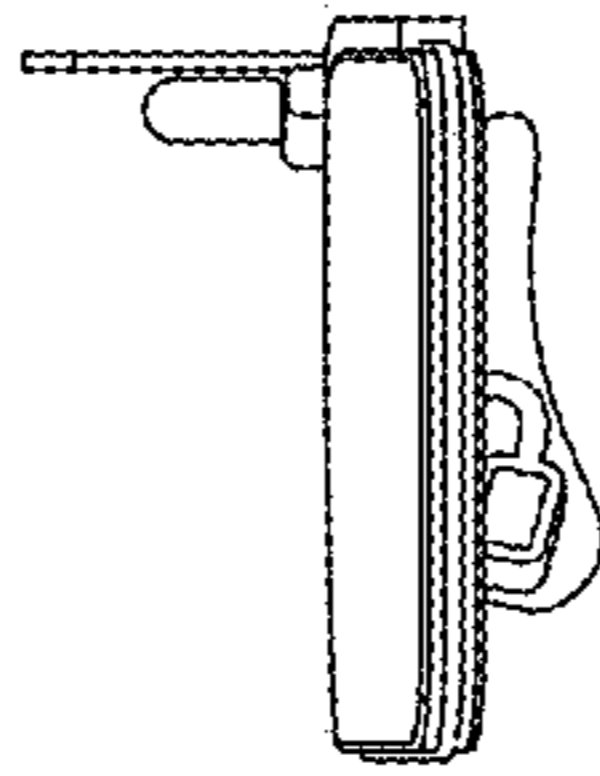


FIG. 6

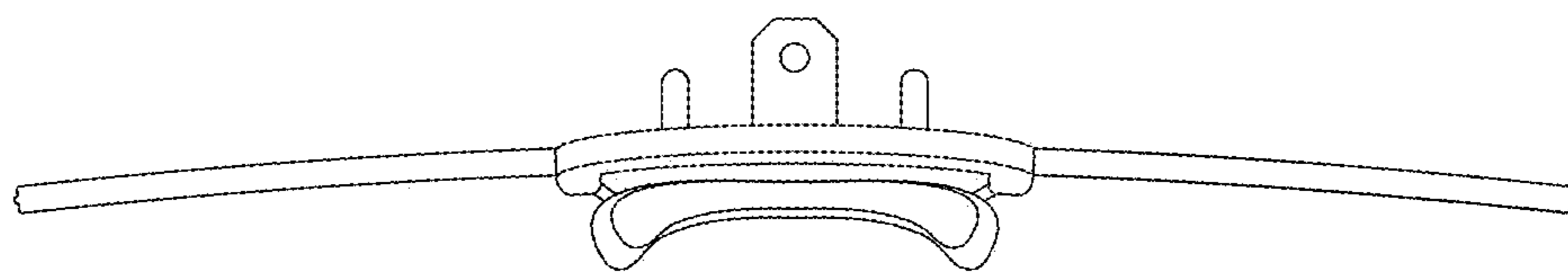


FIG. 7

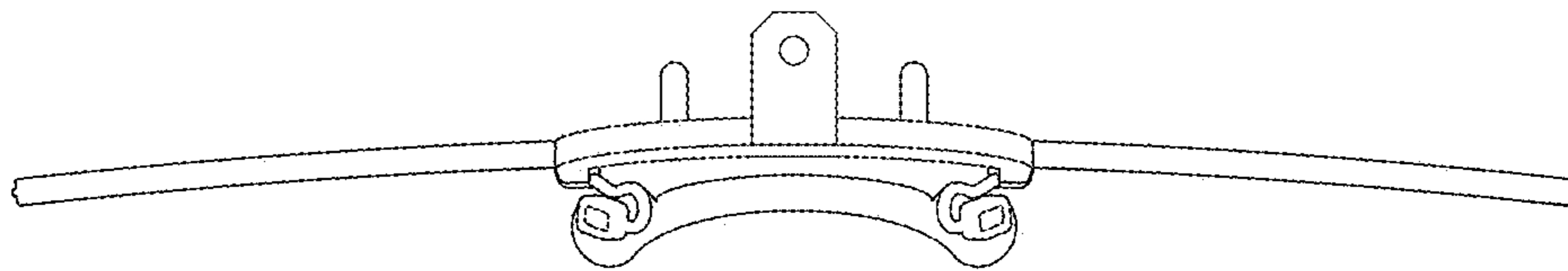


FIG. 8