



US00D747757S

(12) **United States Design Patent**
Daniel

(10) **Patent No.:** **US D747,757 S**
(45) **Date of Patent:** **** Jan. 19, 2016**

(54) **CAMERA RECORDING DEVICE FOR USE WITH A GUN**

(71) Applicant: **Isaac S. Daniel**, Miramar, FL (US)

(72) Inventor: **Isaac S. Daniel**, Miramar, FL (US)

(**) Term: **14 Years**

(21) Appl. No.: **29/502,257**

(22) Filed: **Sep. 12, 2014**

(51) **LOC (10) Cl.** **16-01**

(52) **U.S. Cl.**
USPC **D16/208; D22/109**

(58) **Field of Classification Search**
USPC D16/200, 202–205, 208, 218, 219, 235,
D16/242; D22/108–110; 250/214 VT, 574;
348/164, 360; 359/358, 819, 826–828;
396/529–532; 42/90, 99, 111–114, 146
CPC G03B 17/02; G03B 19/04; G03B 17/56;
G03B 17/04; G03B 15/03; G03B 17/14;
H04N 5/2251; H04N 5/2252; H04N 5/2253;
H04N 5/2254
See application file for complete search history.

(56) **References Cited**

U.S. PATENT DOCUMENTS

D636,049 S * 4/2011 Hughes et al. D22/109
D636,837 S * 4/2011 Hughes et al. D22/109
D672,005 S * 12/2012 Hedeem et al. D22/109
D674,862 S * 1/2013 Johnston et al. D22/109

D702,800 S * 4/2014 Speroni D22/108
D704,296 S * 5/2014 Cheng D22/109
8,713,844 B2 * 5/2014 Tuller et al. 42/114
D730,477 S * 5/2015 Huynh et al. D22/109
2004/0068913 A1 * 4/2004 Solinsky et al. 42/146
2012/0240444 A1 * 9/2012 Russell 42/90
2013/0180152 A1 * 7/2013 Speroni 42/99

* cited by examiner

Primary Examiner — Adir Aronovich

Assistant Examiner — Ramzi Almatrahi

(74) *Attorney, Agent, or Firm* — Carol N. Green Kaul, Esq.

(57) **CLAIM**

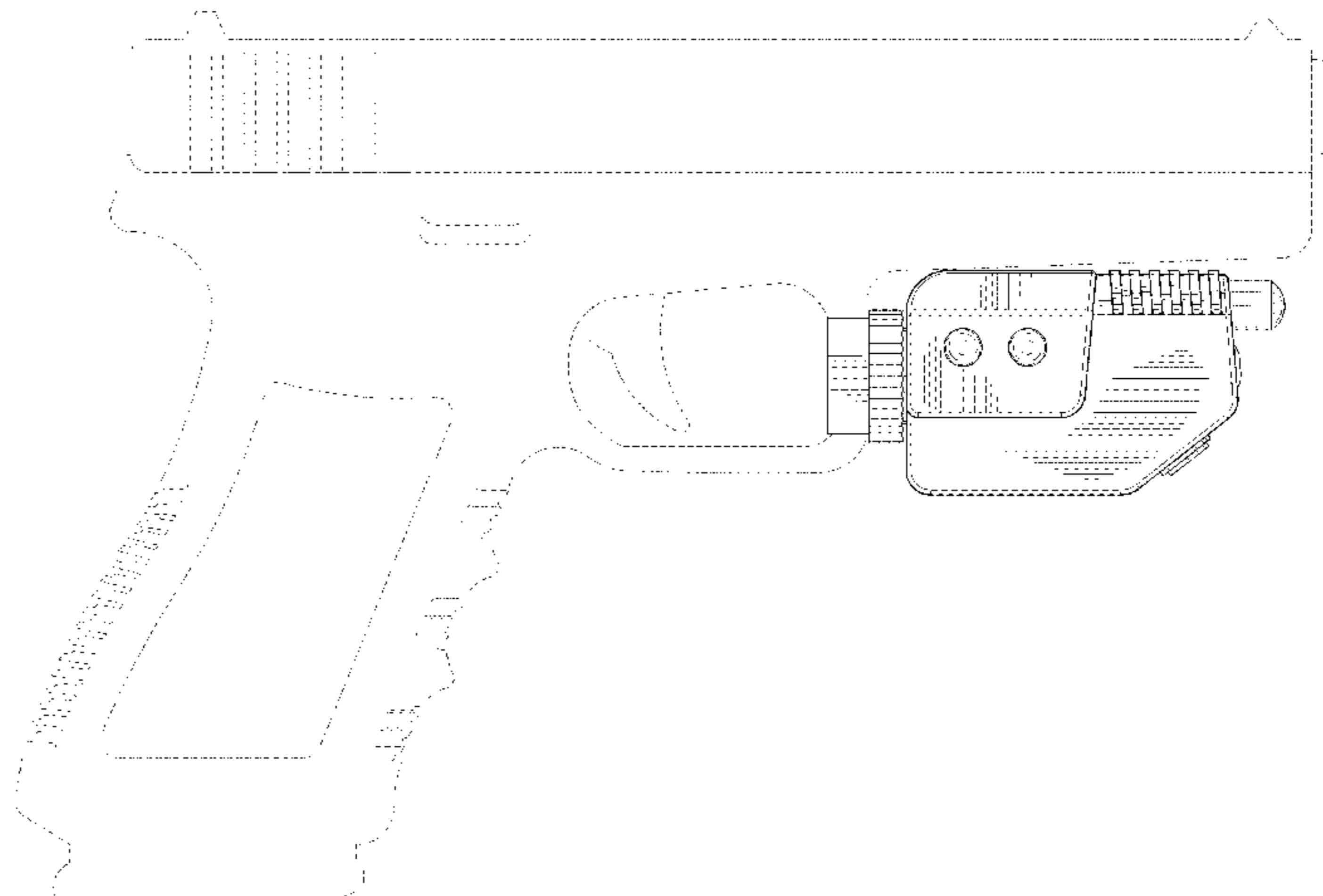
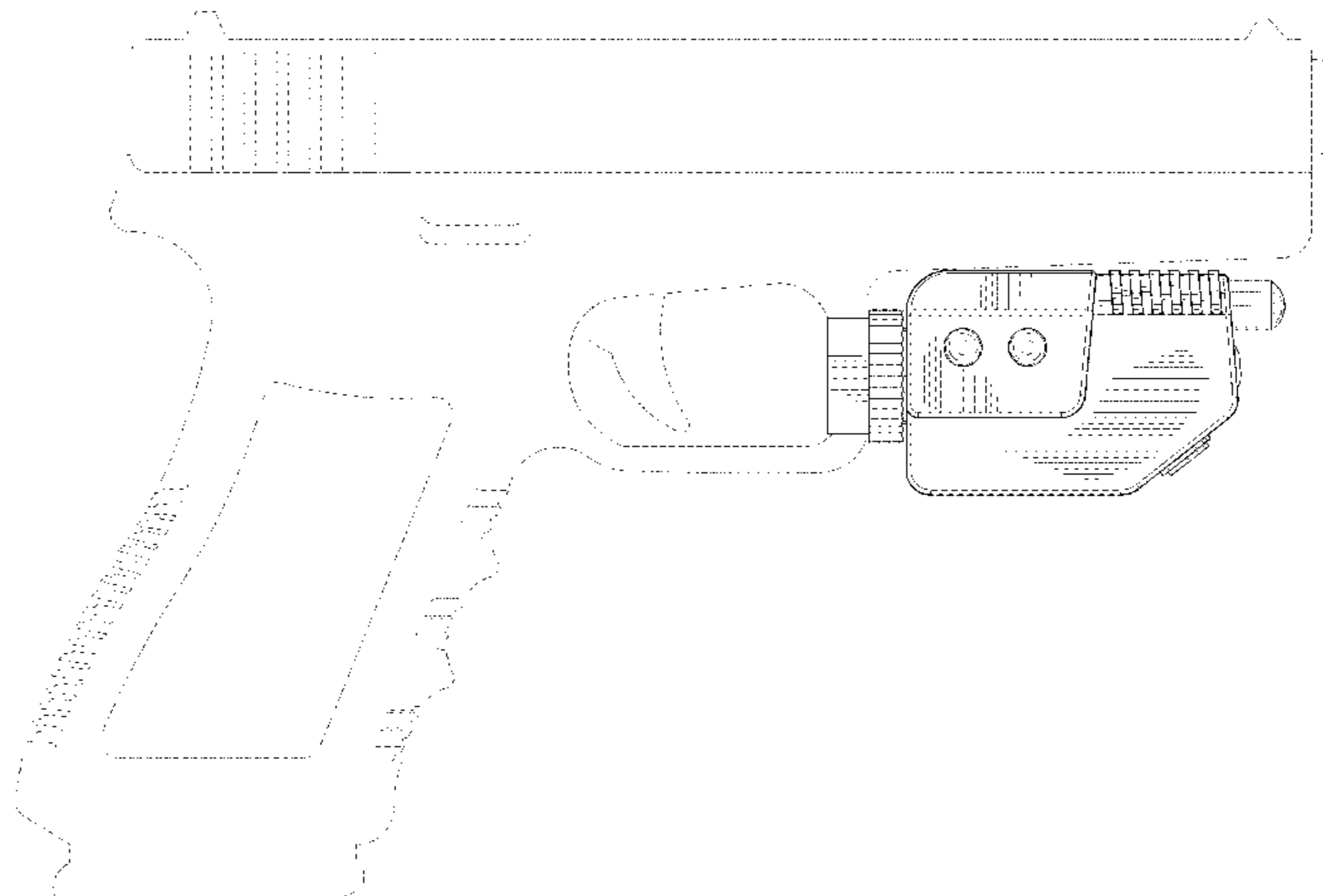
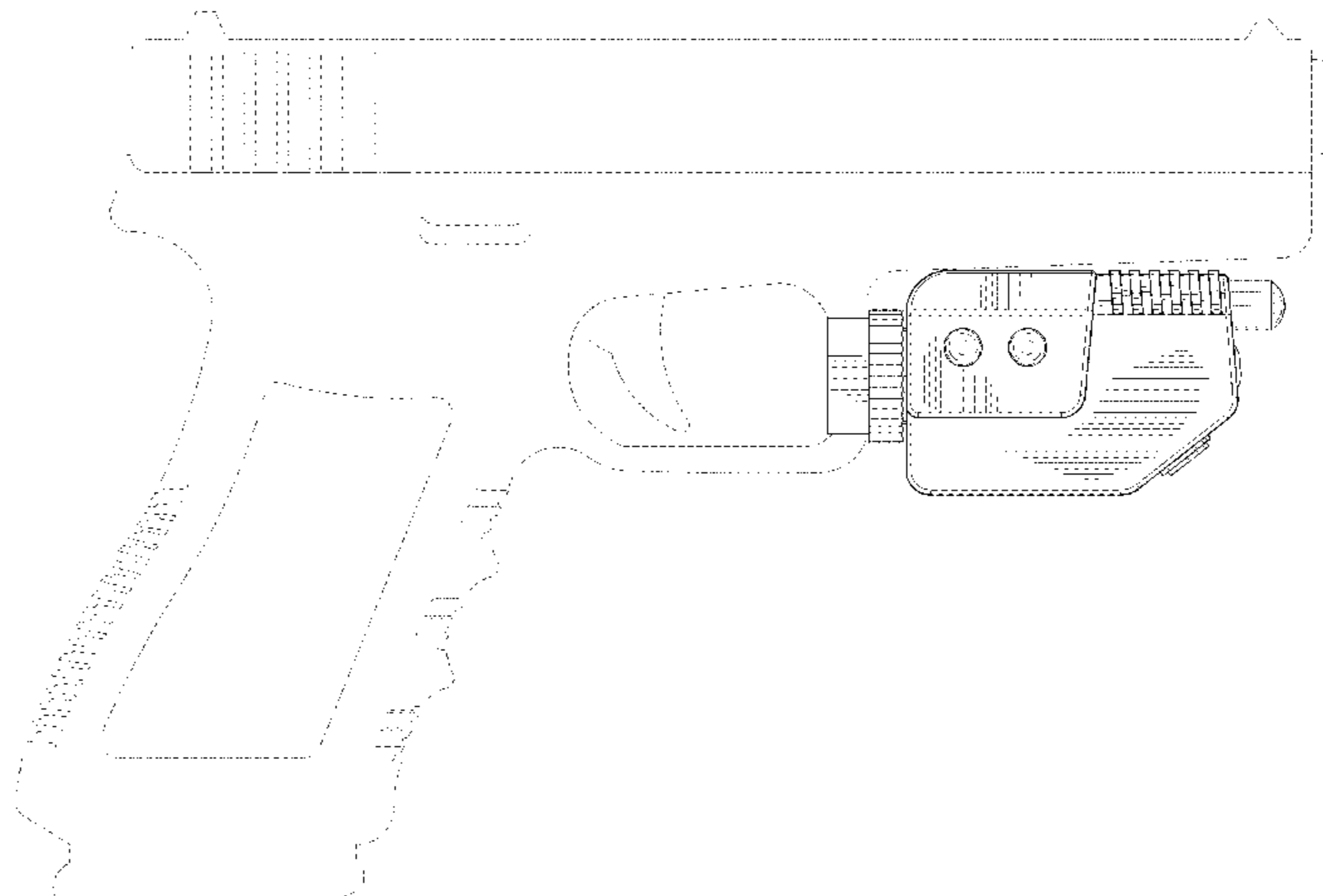
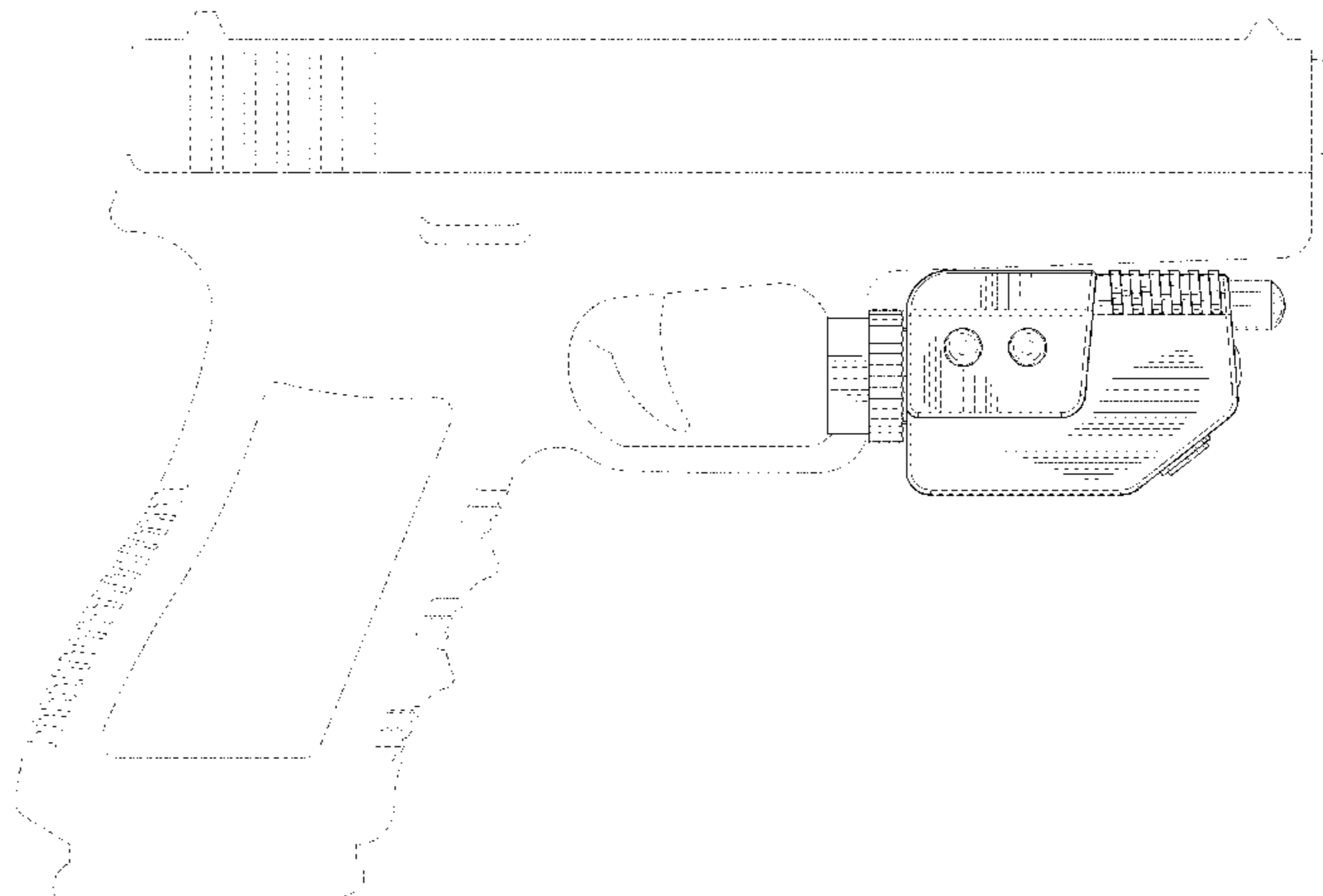
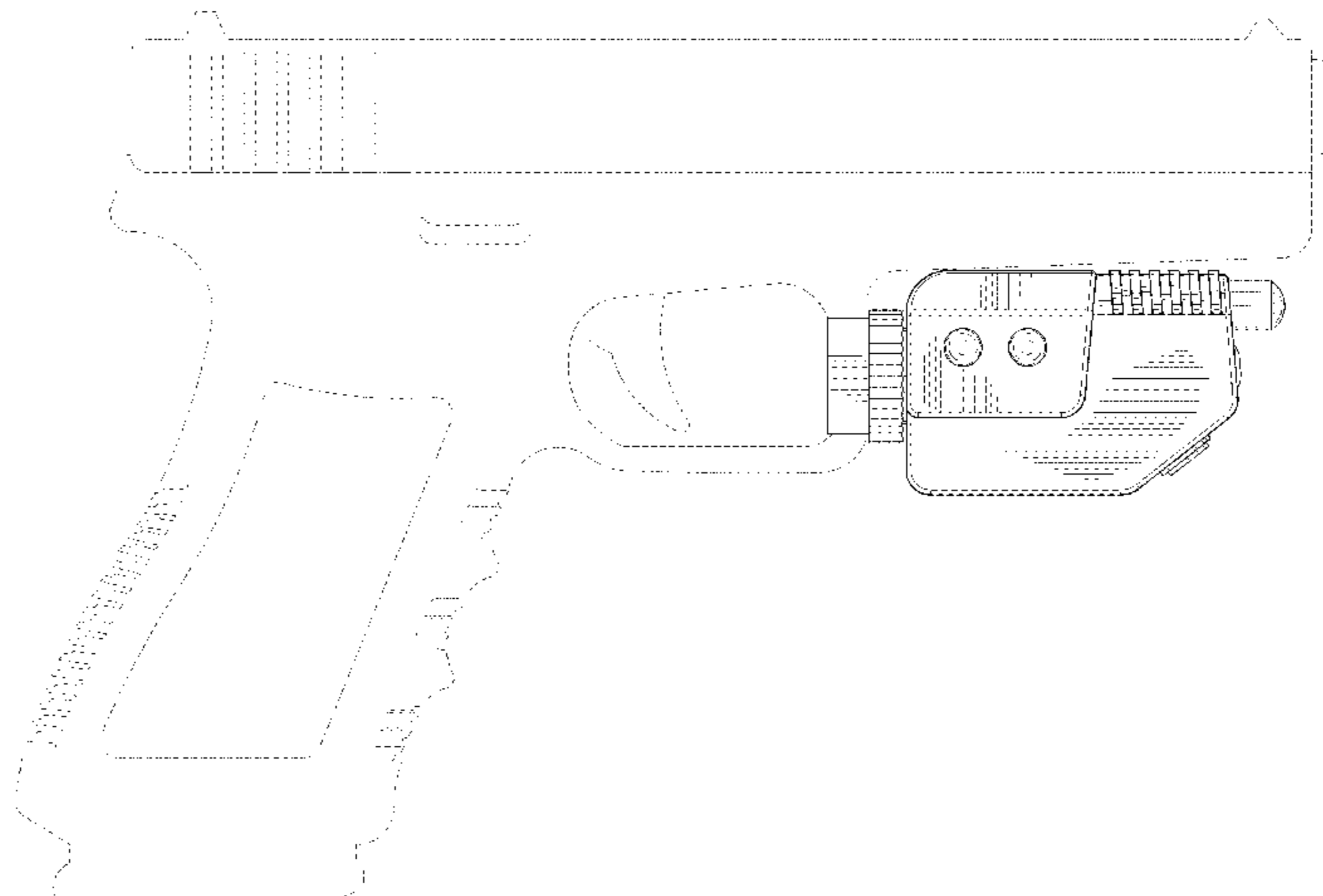
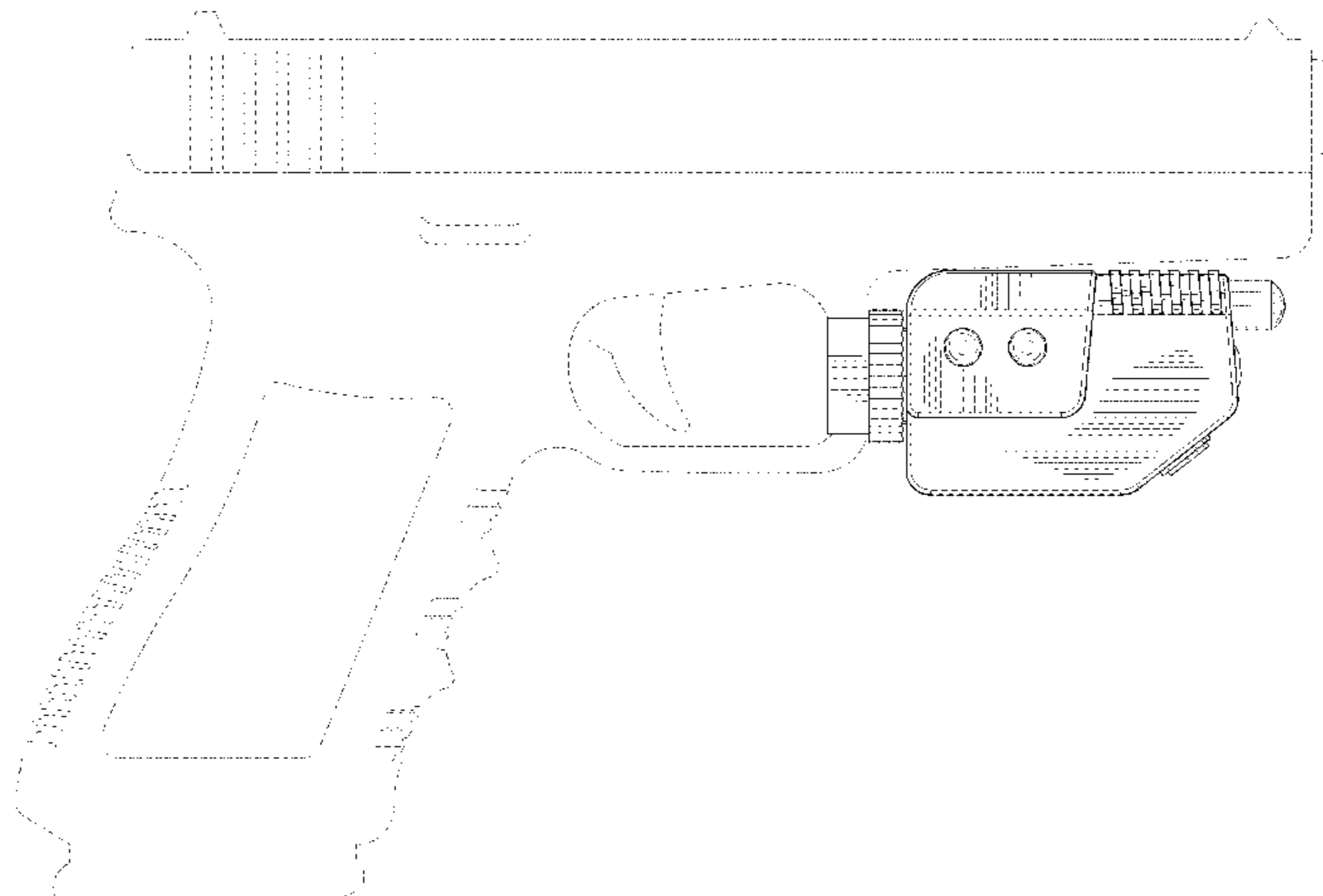
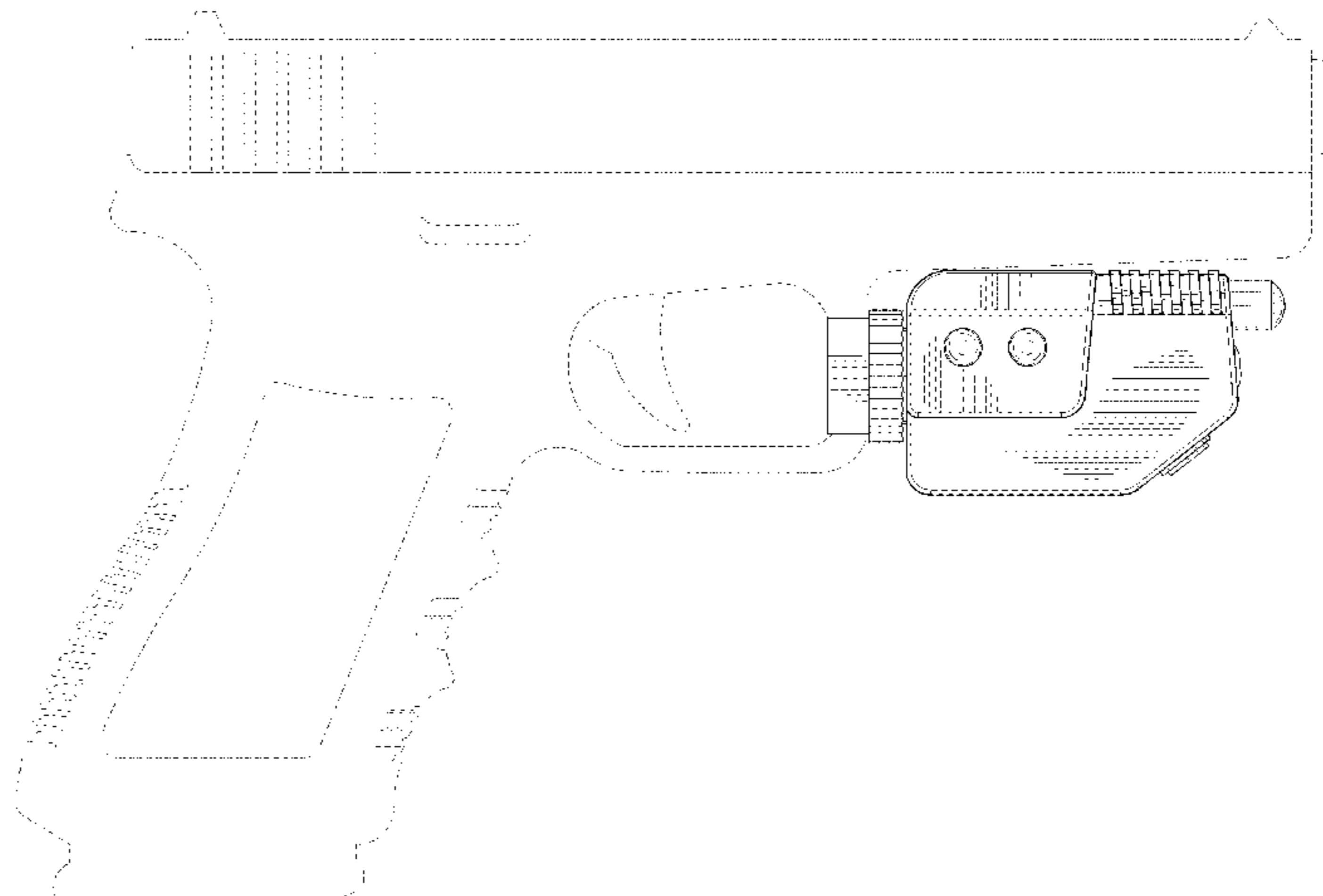
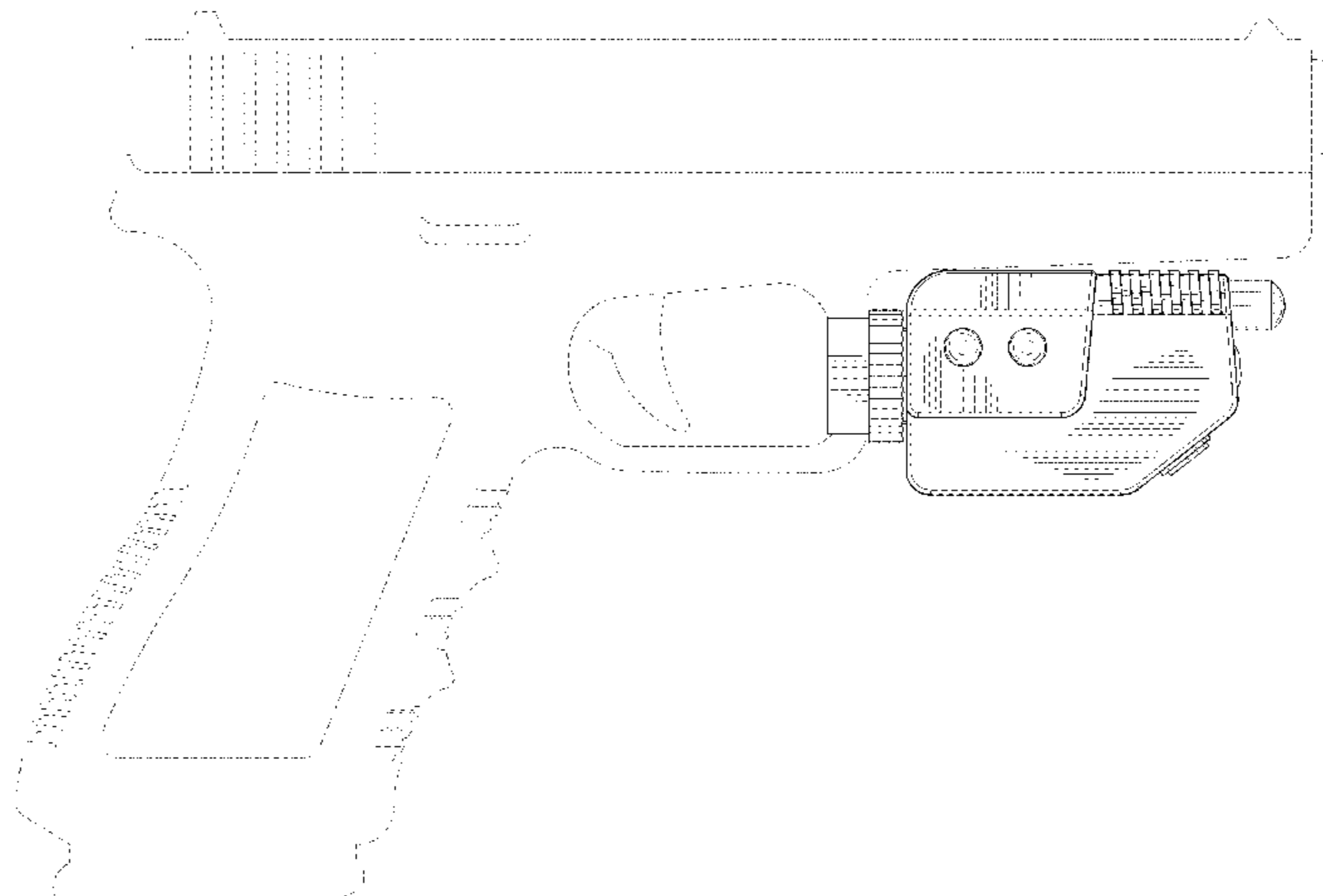
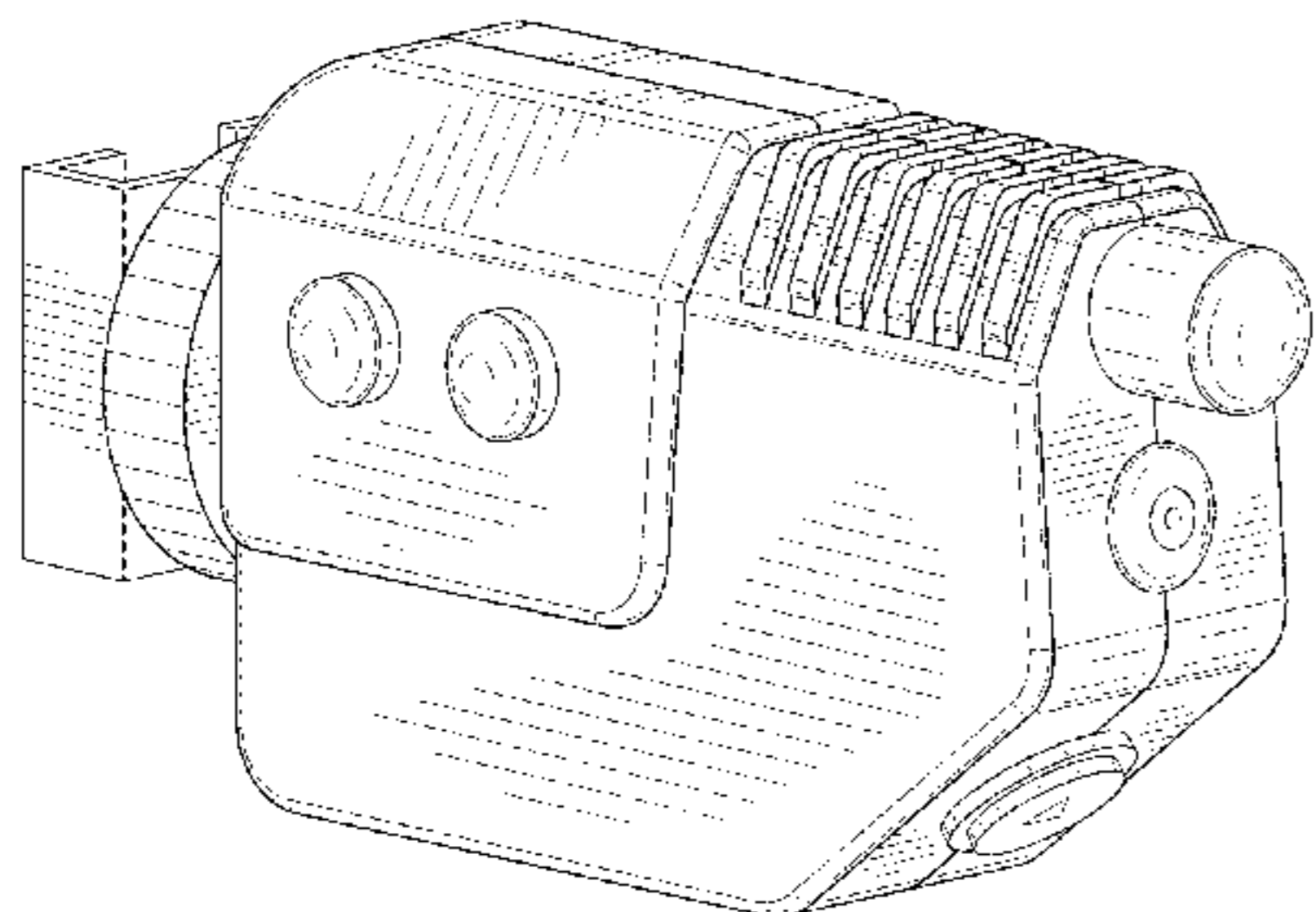
The ornamental design for a camera recording device for use with a gun, as shown and described.

DESCRIPTION

FIG. 1 is a front perspective view of a camera recording device for use with a gun;
FIG. 2 is a rear perspective view thereof;
FIG. 3 is a top plan view thereof;
FIG. 4 is a bottom plan view thereof;
FIG. 5 is a right side elevation view thereof;
FIG. 6 is a left side elevation view thereof;
FIG. 7 is a front elevation view thereof;
FIG. 8 is a rear elevation view thereof; and,
FIG. 9 is a reduced right side elevation view thereof, shown in use with a gun.

The broken lines in FIG. 9 depict a gun showing environment only, forming no part of the claimed design.

1 Claim, 5 Drawing Sheets



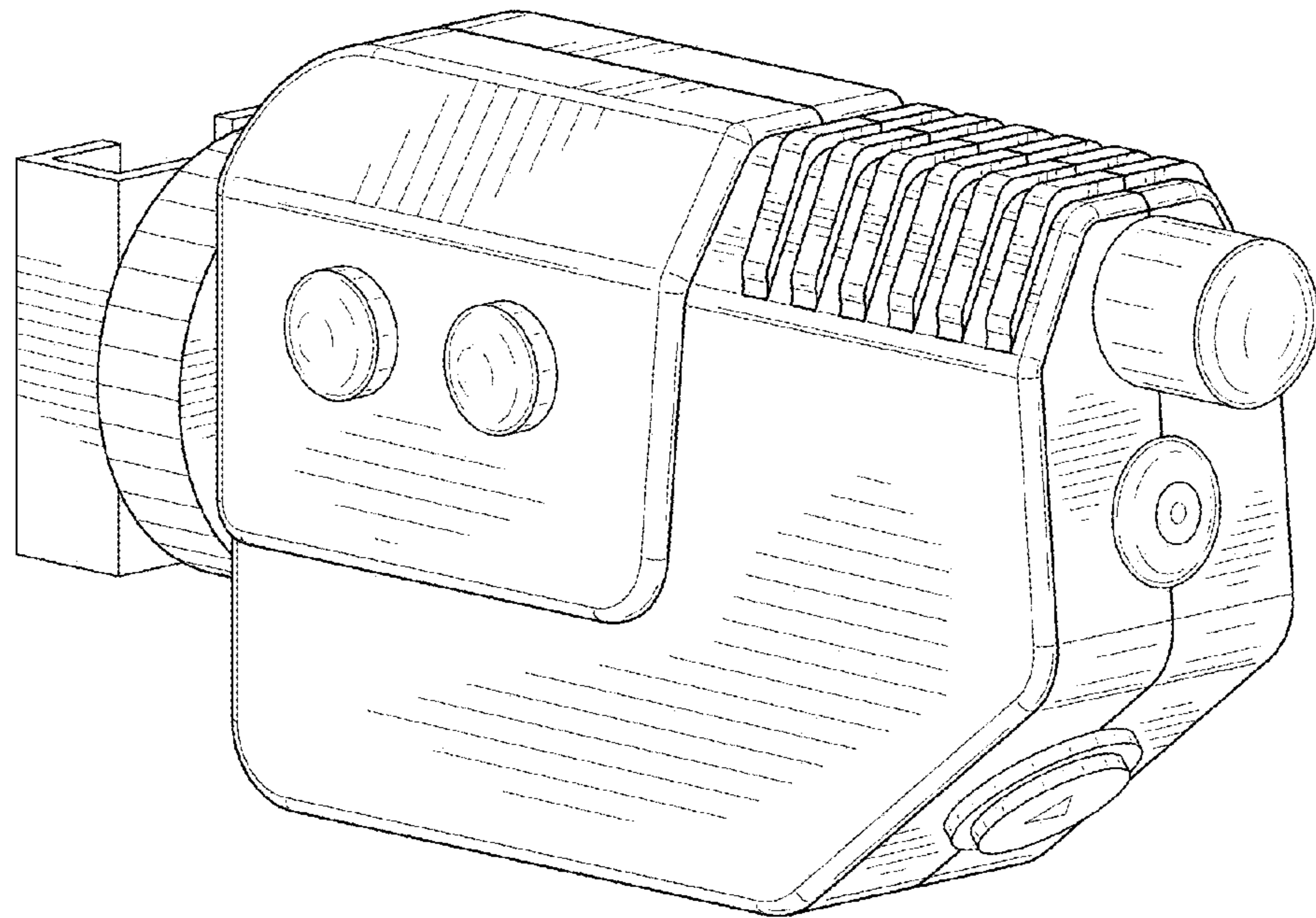


FIG. 1

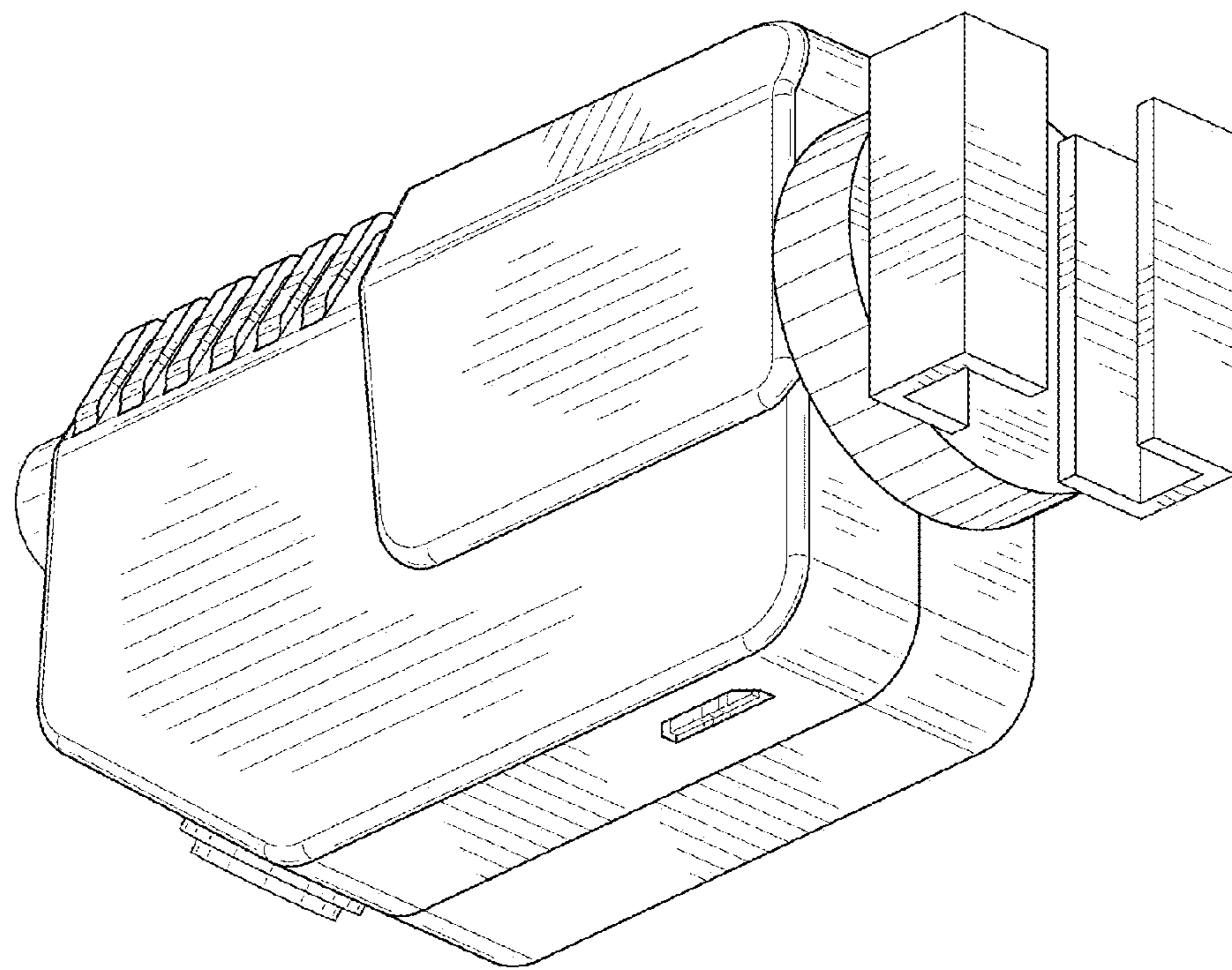


FIG. 2

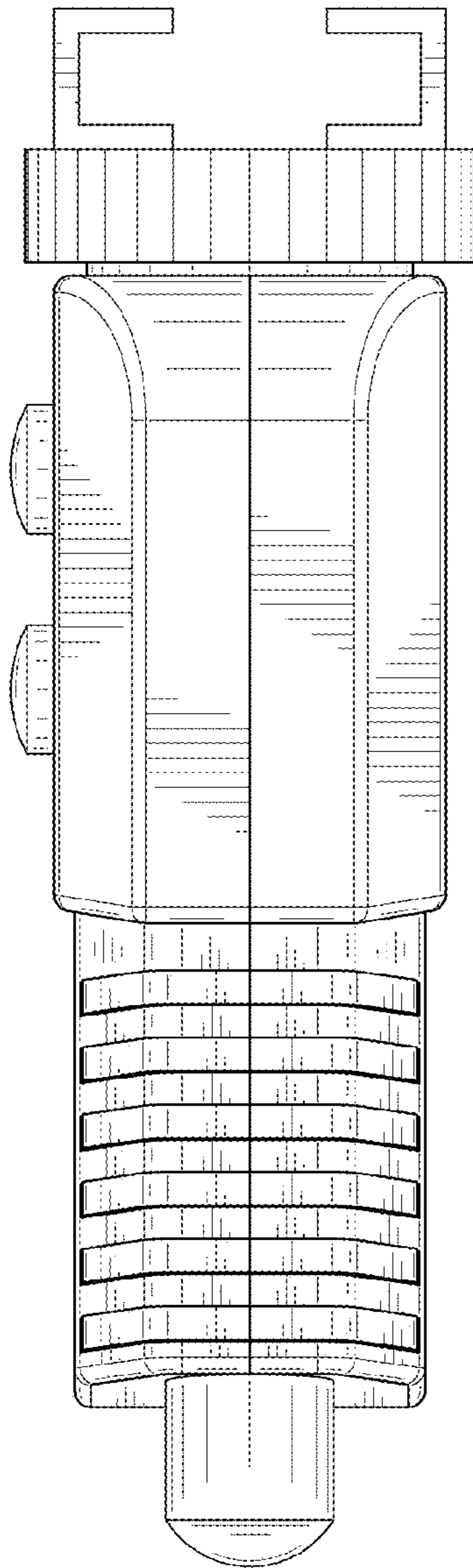


FIG. 3

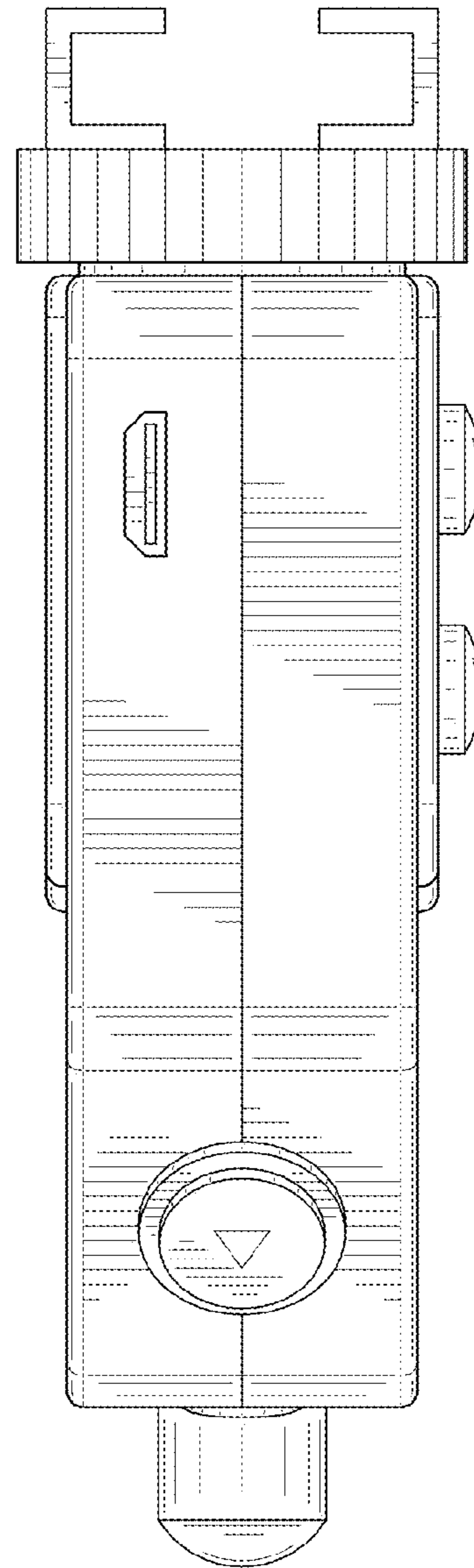


FIG. 4

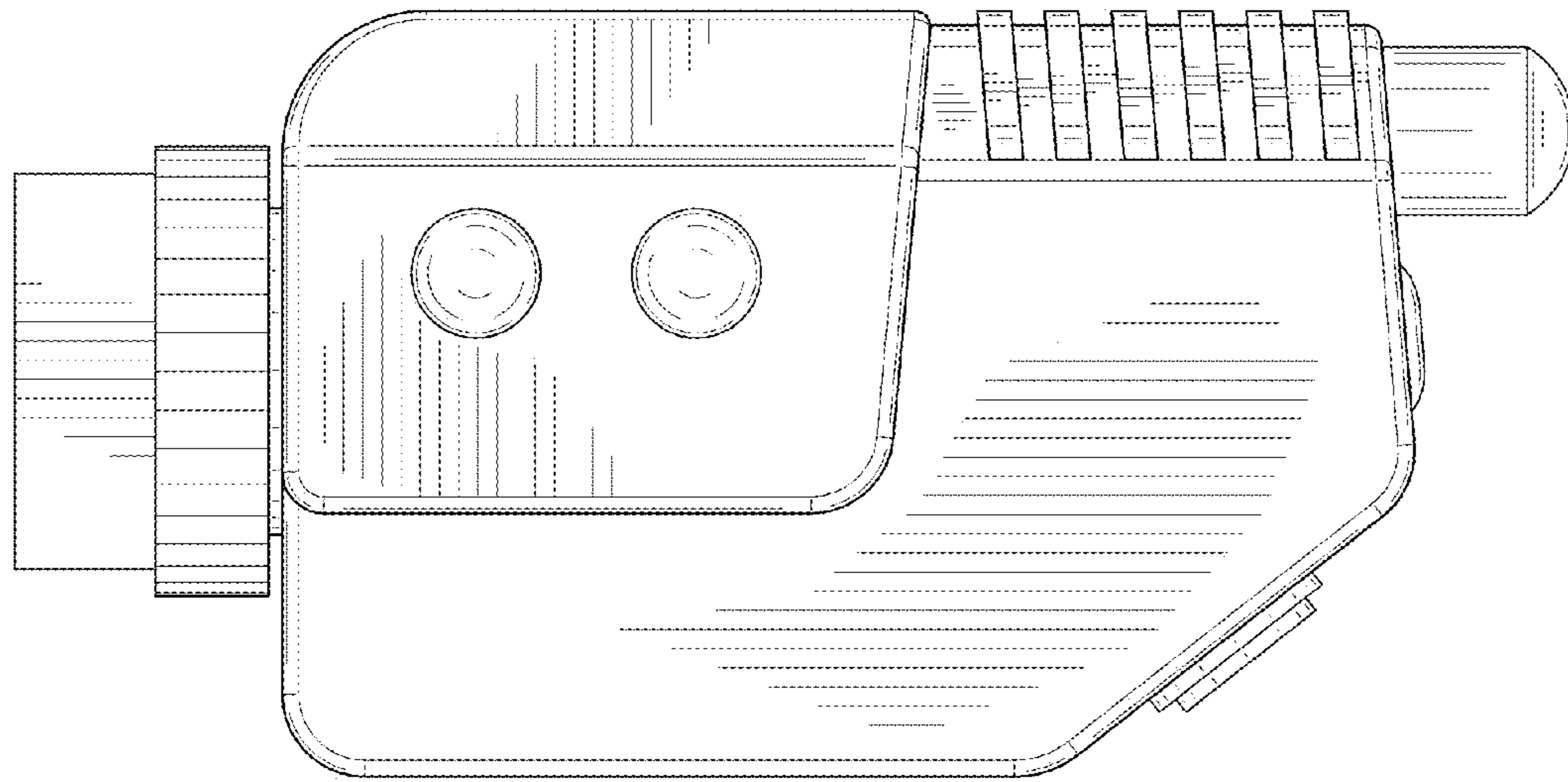


FIG. 5

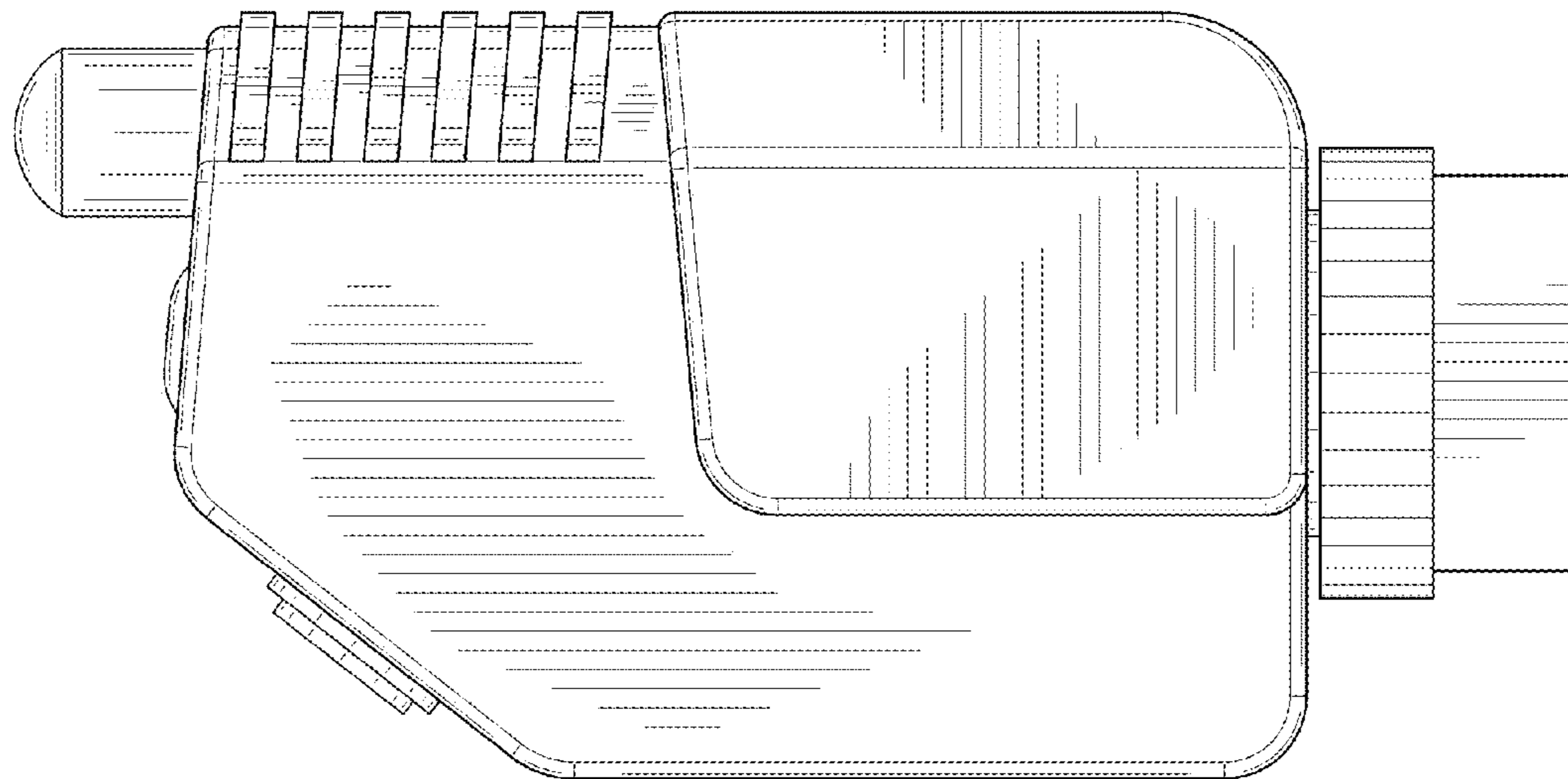


FIG. 6

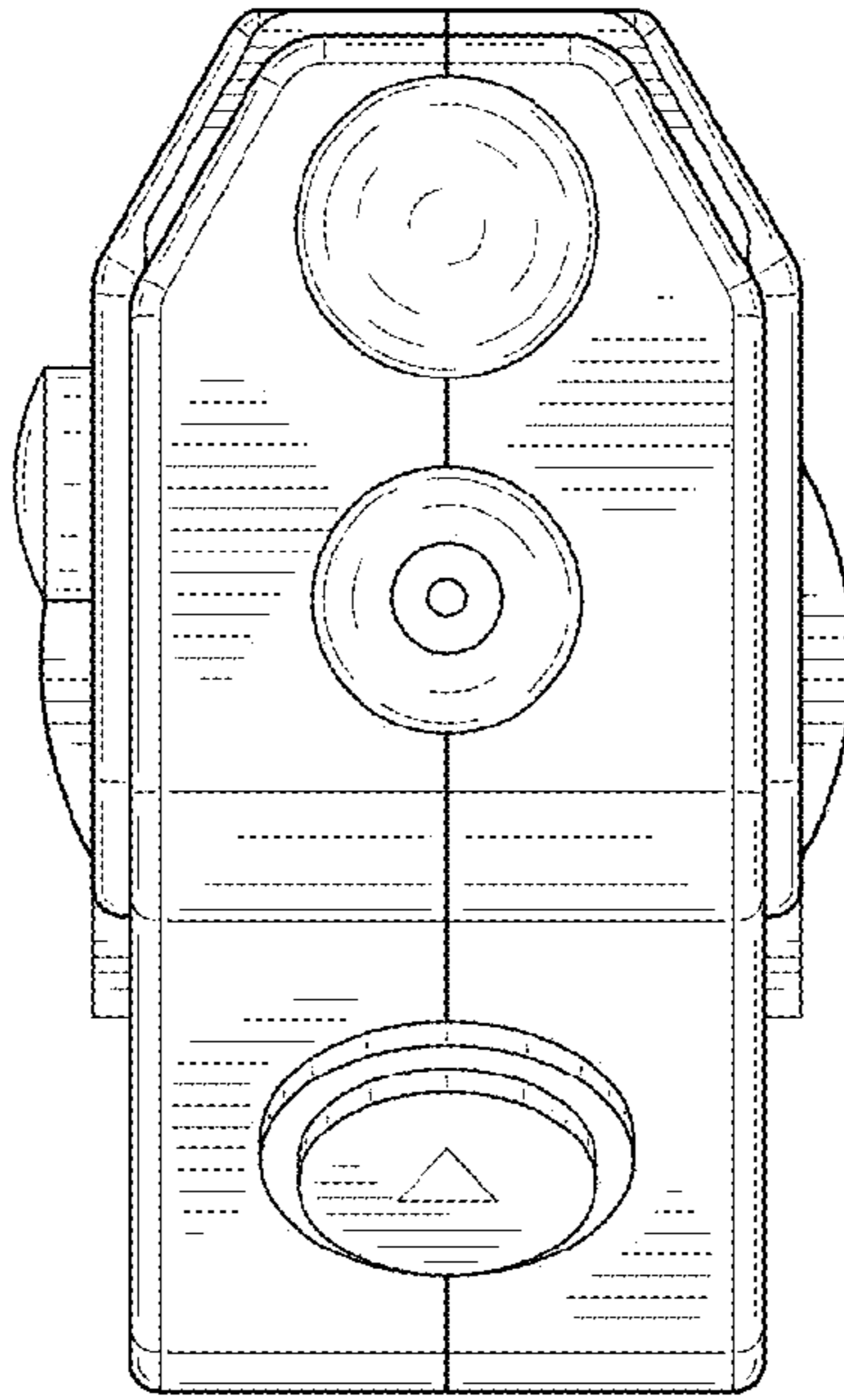


FIG. 7

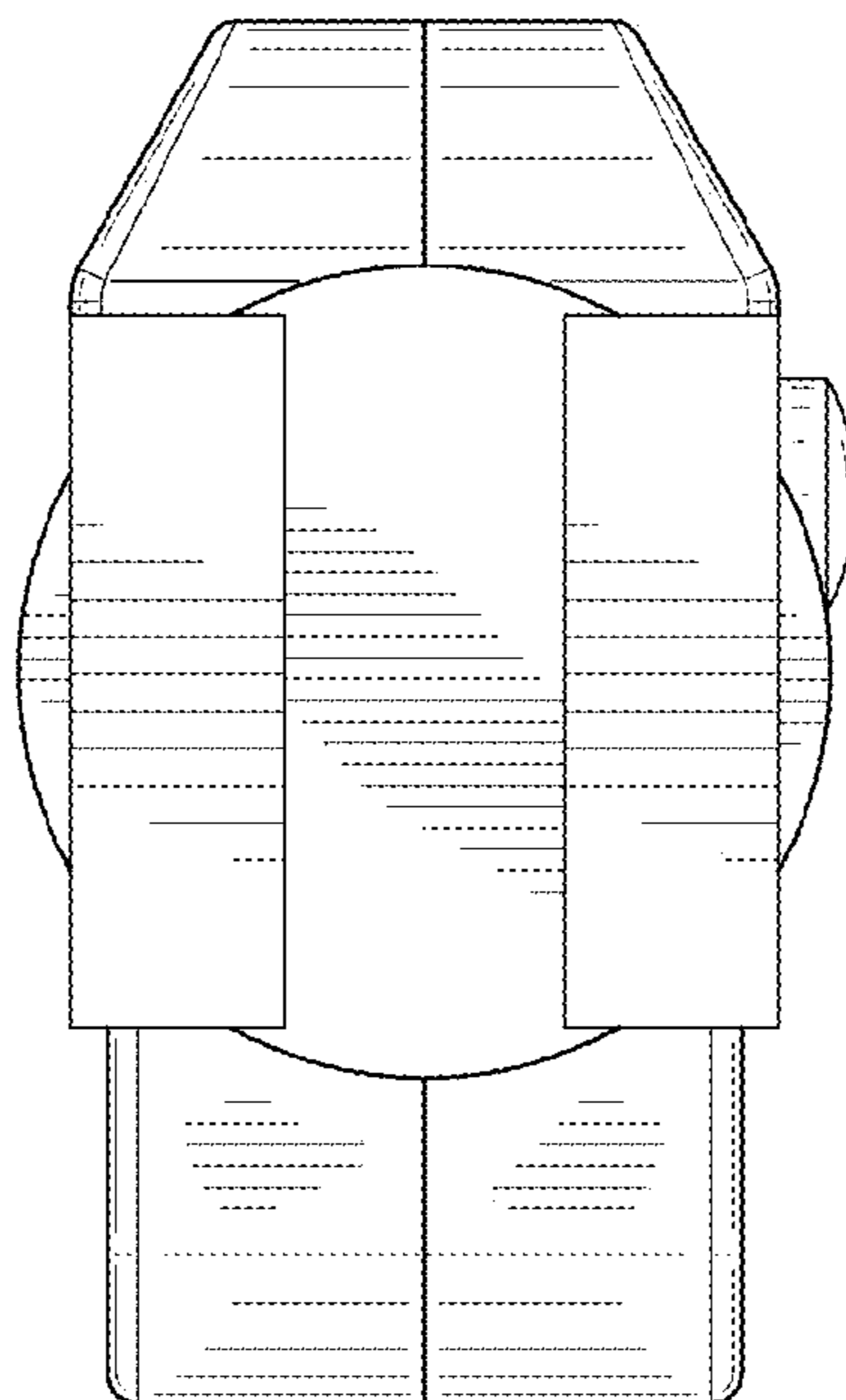


FIG. 8

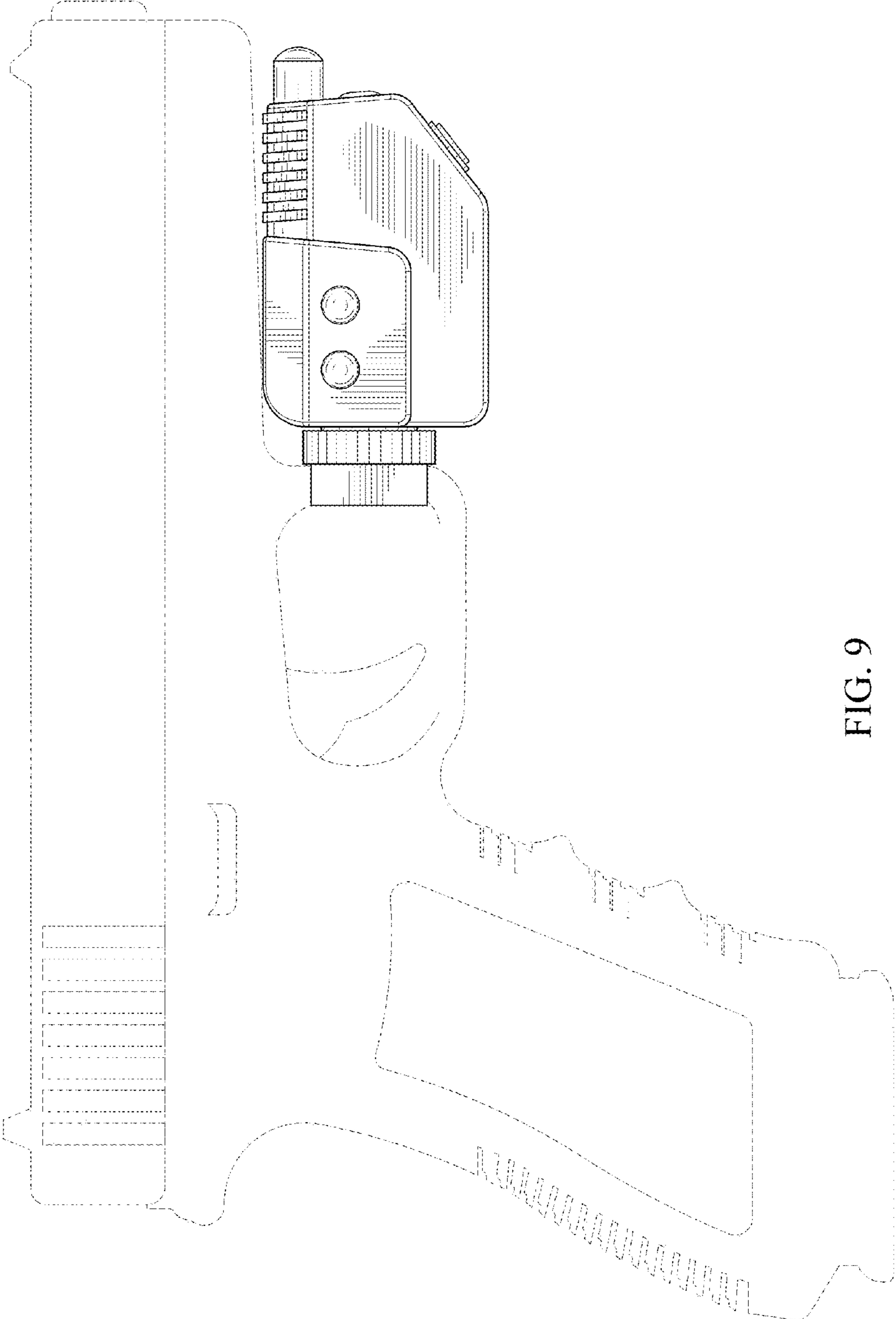


FIG. 9