



US00D747756S

(12) **United States Design Patent**
Scalisi

(10) **Patent No.:** **US D747,756 S**
(45) **Date of Patent:** **** Jan. 19, 2016**

(54) **VIDEO CAMERA**

(71) Applicant: **SkyBell Technologies, Inc.**, Irvine, CA
(US)

(72) Inventor: **Joseph Frank Scalisi**, Yorba Linda, CA
(US)

(73) Assignee: **SkyBell Technologies, Inc.**, Irvine, CA
(US)

(**) Term: **14 Years**

(21) Appl. No.: **29/515,770**

(22) Filed: **Jan. 27, 2015**

(51) **LOC (10) Cl.** **16-01**

(52) **U.S. Cl.**
USPC **D16/203**

(58) **Field of Classification Search**
USPC D16/200, 202–206, 218, 219, 242;
D10/106.2, 106.3, 106.5, 118.1;
348/143, 148, 151, 373–376; 396/419,
396/427, 535, 539–541
CPC G03B 17/02; G03B 19/04; G03B 17/56;
G03B 17/04; G03B 15/03; H04N 5/2251;
H04N 2/2252; H04N 5/2253; H04N 5/2254;
H04N 7/181; H04N 7/183; H04N 7/18;
G08B 13/1963; G08B 13/19619; G08B
13/19632

See application file for complete search history.

(56) **References Cited**

U.S. PATENT DOCUMENTS

D283,130 S	3/1986	Boenning
D297,222 S	8/1988	Rauch
D371,086 S	6/1996	Collins
D381,638 S	7/1997	Kruse
D404,673 S	1/1999	Gordon
D422,521 S	4/2000	Morrow
D442,617 S	5/2001	Ohmori

D455,767 S *	4/2002	Tsang	D16/202
D455,768 S *	4/2002	Tsang	D16/202
D480,741 S *	10/2003	Berger	D16/202
D500,751 S	1/2005	Yukikado		
D519,100 S	4/2006	Shioya		
D522,490 S	6/2006	Yukikado		
D525,963 S	8/2006	Yukikado		
7,113,578 B2	9/2006	Unger		
D531,160 S	10/2006	Yukikado		
D534,566 S *	1/2007	Ishii	D14/168
D537,095 S *	2/2007	Alden	D16/202

(Continued)

OTHER PUBLICATIONS

MySkyBell.com (later SkyBell.com)—Downloaded on Nov. 18,
2013 from <http://www.myskybell.com>.

(Continued)

Primary Examiner — Adir Aronovich
Assistant Examiner — Ramzi Almatrahi

(57) **CLAIM**

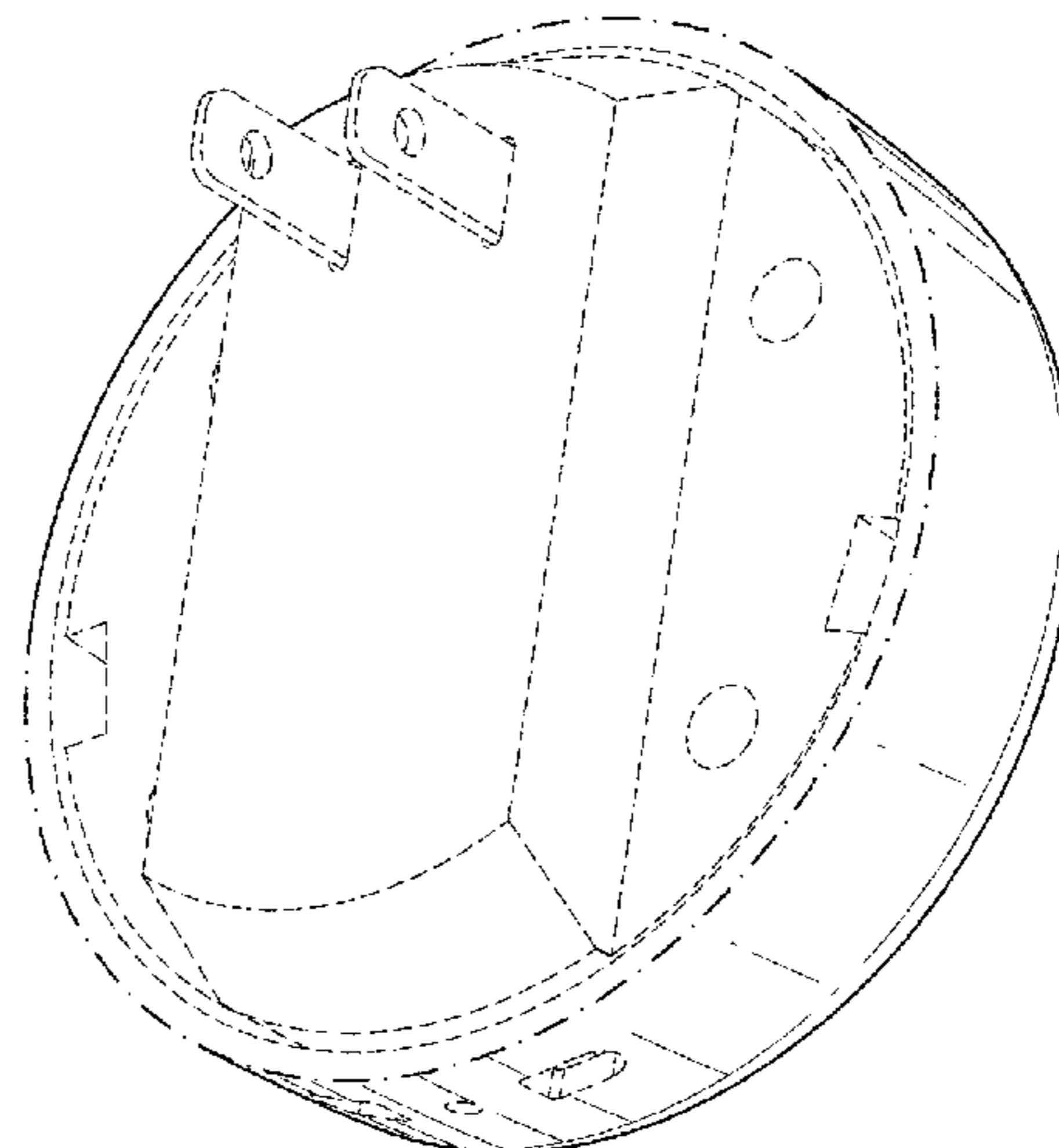
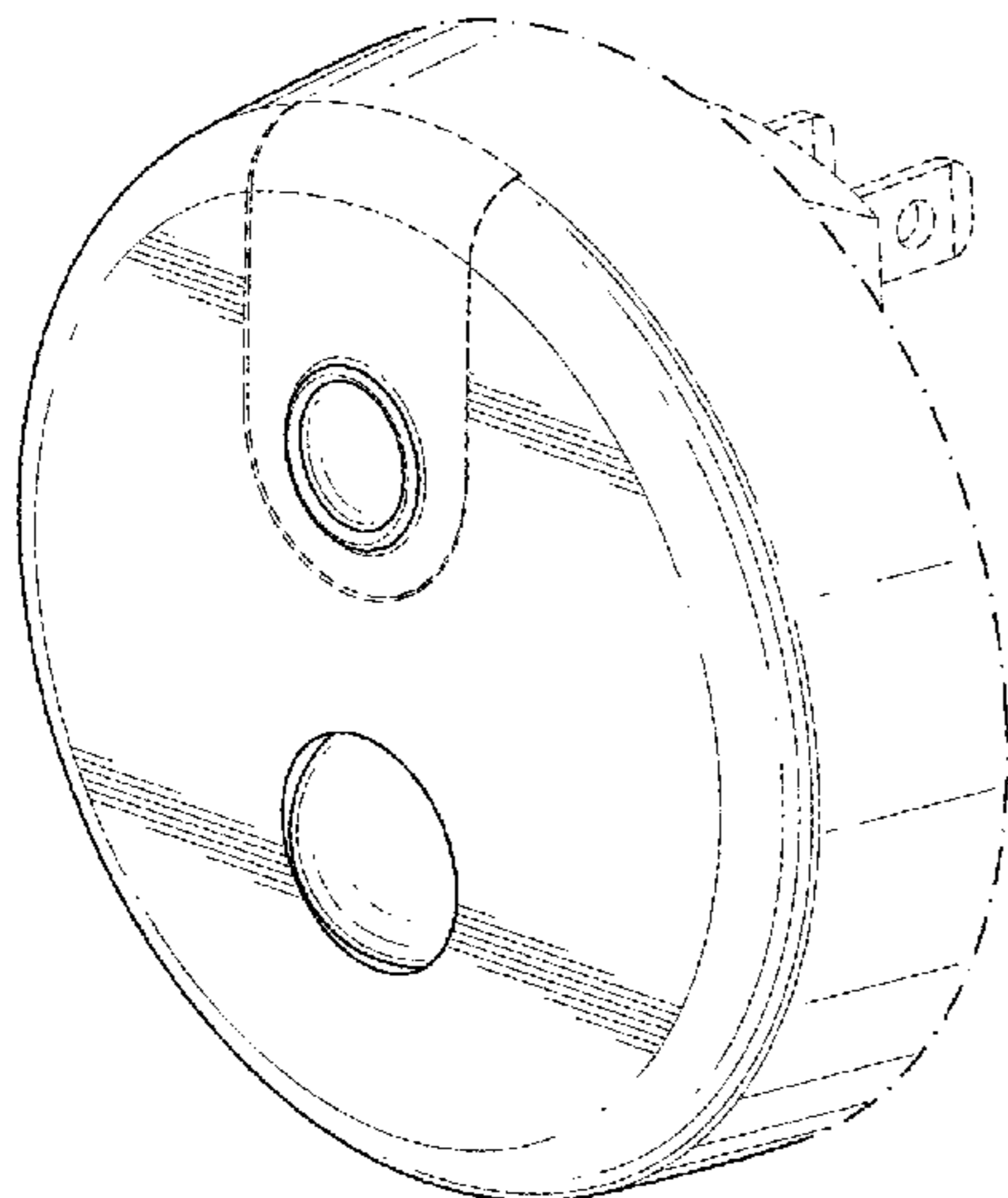
The ornamental design for a video camera, as shown and described.

DESCRIPTION

FIG. 1 is a top, front and right side perspective view of a video camera embodying the new design;
FIG. 2 is a bottom, rear and left side perspective view thereof;
FIG. 3 is a front elevation view thereof;
FIG. 4 is a rear elevation view thereof;
FIG. 5 is a right side elevation view thereof; the undisclosed left side elevation being a mirror image thereof;
FIG. 6 is a top plan view thereof; and,
FIG. 7 is a bottom plan view thereof.

The broken lines depict portions of a video camera in which the design is embodied and form no part of the claimed design. Additionally, the dash-dot-dash lines denote the boundary of the claim and form no part of the claimed design.

1 Claim, 4 Drawing Sheets



(56)

References Cited

U.S. PATENT DOCUMENTS

D562,306 S 2/2008 Jeong
 D575,316 S * 8/2008 Liu D16/202
 D577,301 S 9/2008 Johnson
 D588,574 S 3/2009 Takahata
 D595,260 S 6/2009 Takahata
 D645,071 S 9/2011 Hinkel
 D657,410 S 4/2012 Helaoui
 D660,819 S 5/2012 Chen
 D664,178 S 7/2012 Hinkel
 D677,297 S * 3/2013 Bart D16/203
 D679,309 S 4/2013 Park
 D689,536 S 9/2013 Li
 D692,847 S 11/2013 Barley
 D694,305 S * 11/2013 Katori D16/203
 D694,306 S 11/2013 Katori
 8,780,201 B1 7/2014 Scalisi
 D710,727 S 8/2014 Siminoff
 D710,728 S 8/2014 Siminoff
 D711,275 S 8/2014 Scalisi
 D719,205 S * 12/2014 Matsumoto D16/202

D719,994 S 12/2014 Wang
 D721,755 S 1/2015 Ahman
 D727,769 S 4/2015 Scalisi
 D729,678 S 5/2015 Scalisi
 D729,859 S 5/2015 Shin
 9,058,738 B1 6/2015 Scalisi
 2013/0045763 A1 2/2013 Ruiz
 2014/0125754 A1 5/2014 Haywood
 2015/0022618 A1 1/2015 Siminoff
 2015/0022620 A1 1/2015 Siminoff
 2015/0049191 A1 2/2015 Scalisi

OTHER PUBLICATIONS

DefenDoor by Glate LLC—Downloaded on Dec. 11, 2014 from <https://www.kickstarter.com/projects/85455040/defendoor-a-home-security-system-that-syncs-with-y>.
 EyeTalk—Downloaded on May 24, 2013 from <http://www.revolutionaryconceptsinc.com/forhome.html>.
 August Smart Lock—Downloaded on Oct. 10, 2014 from www.august.com.

* cited by examiner

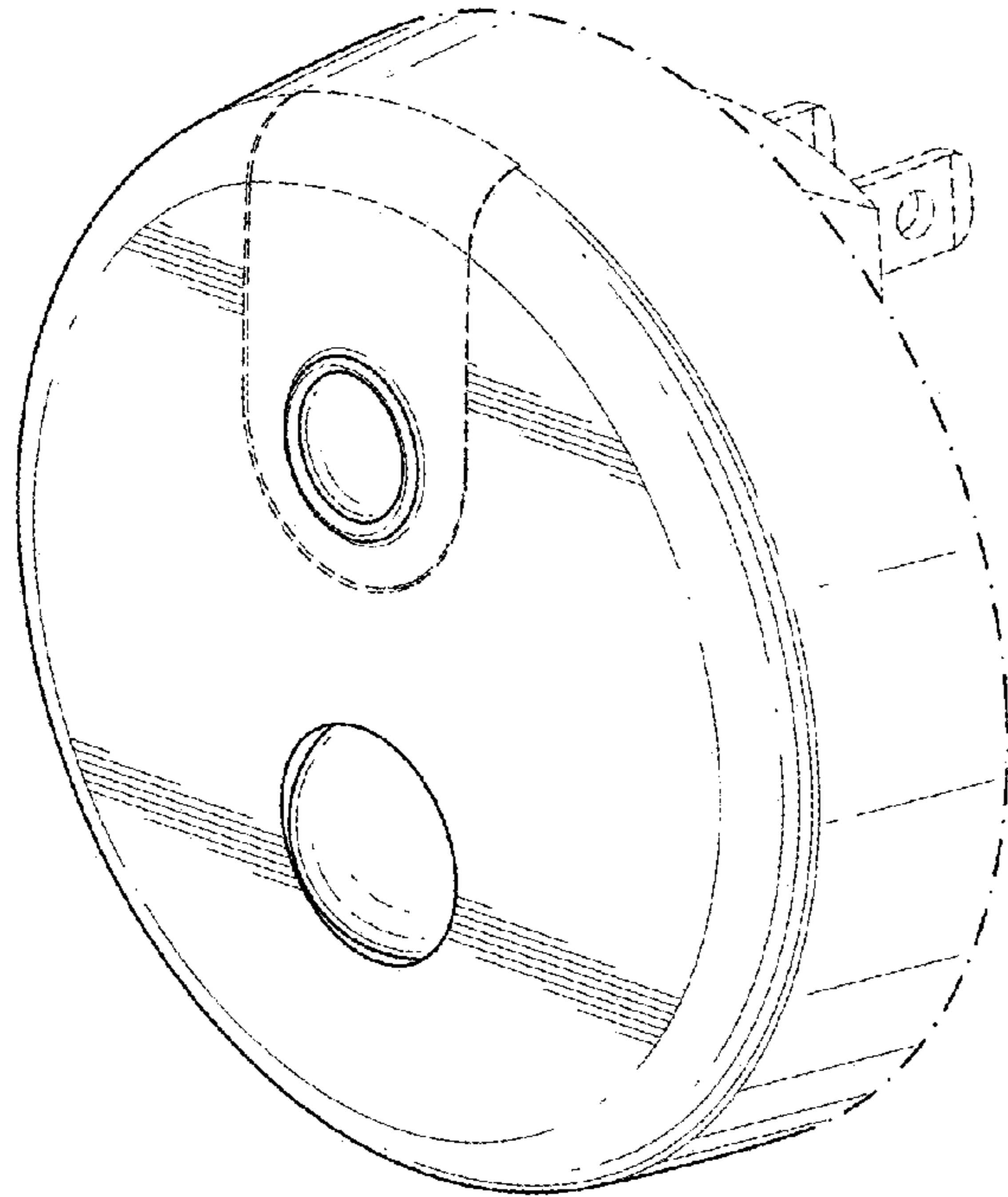


FIG. 1

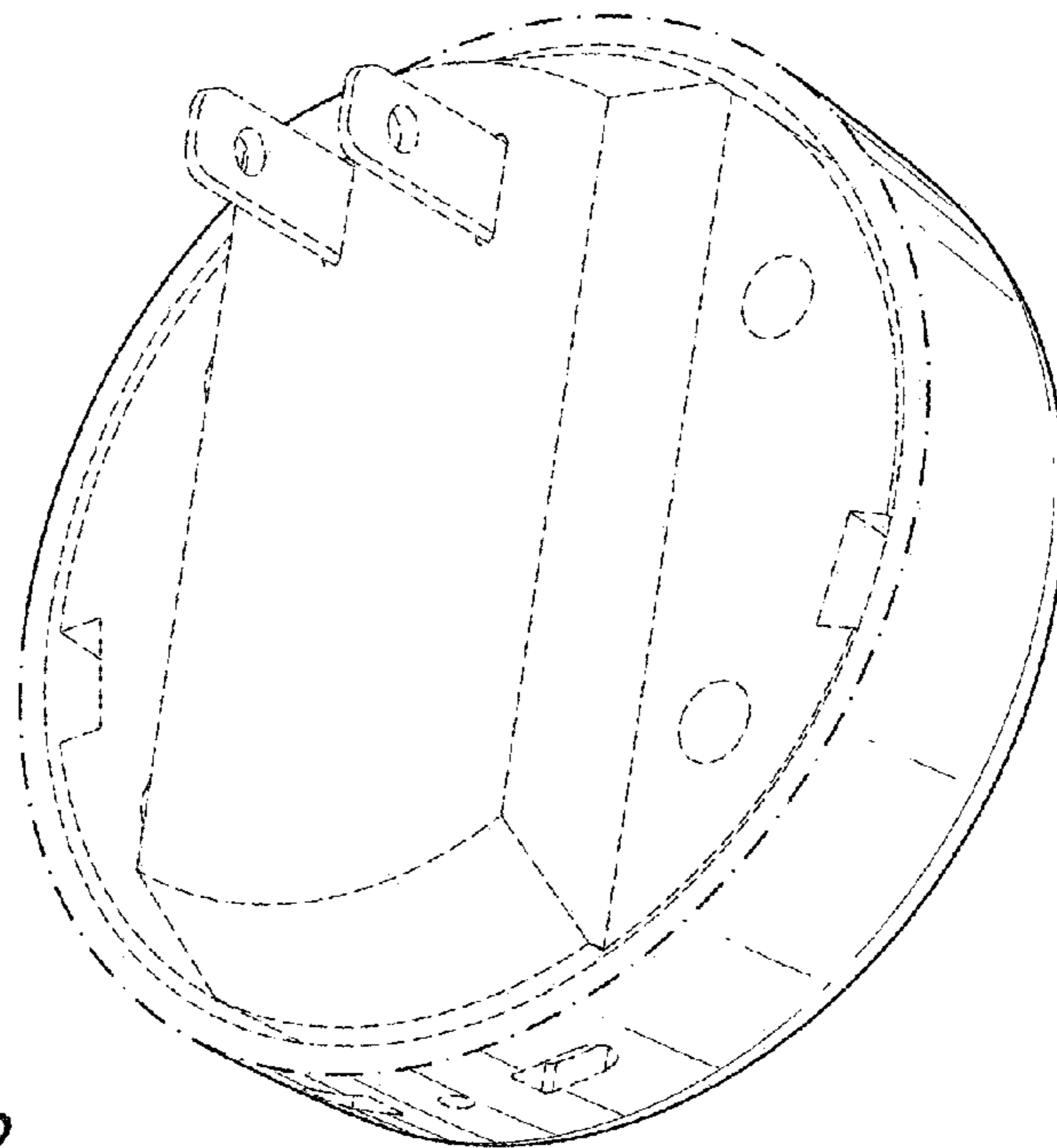


FIG. 2

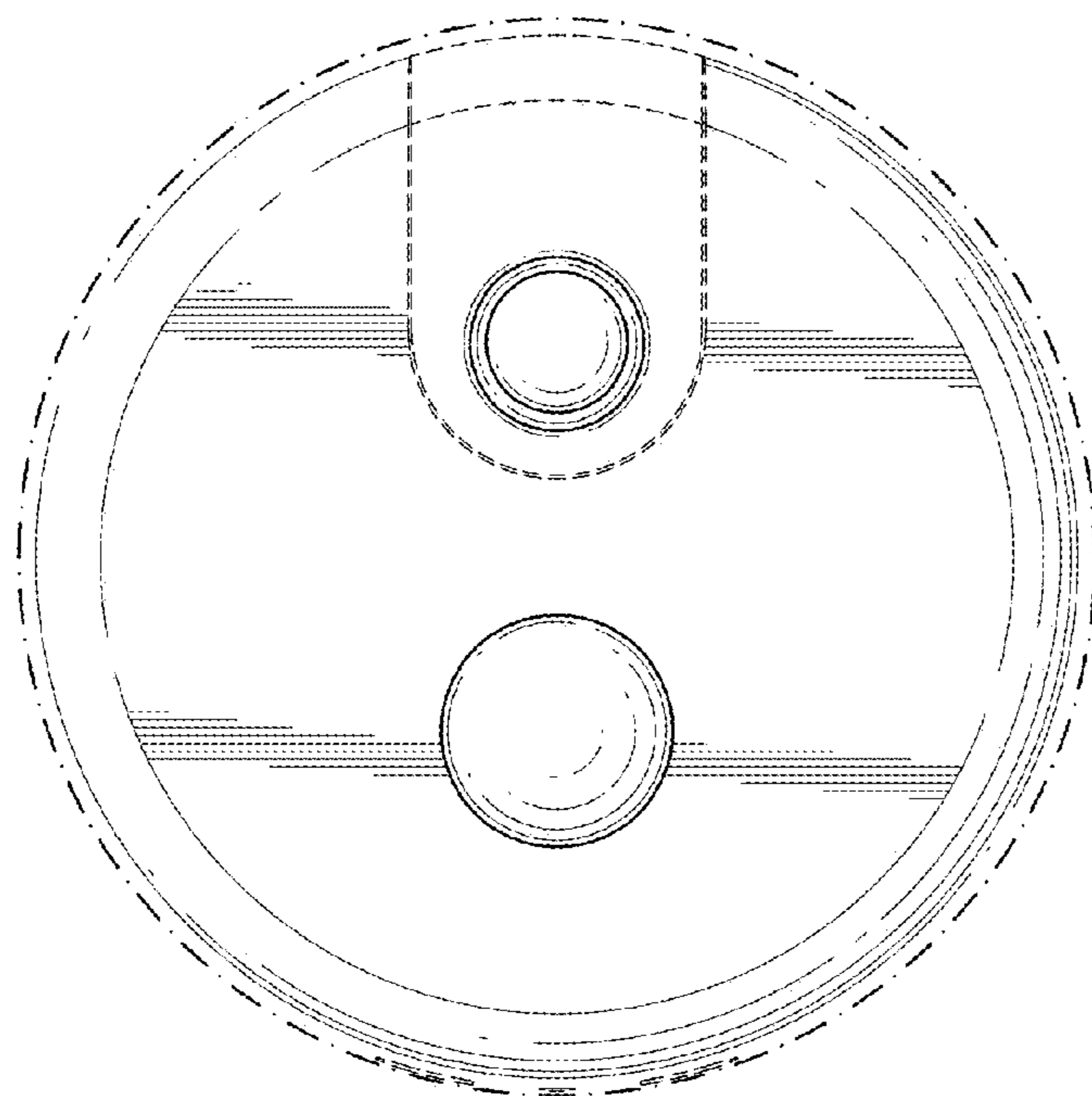


FIG. 3

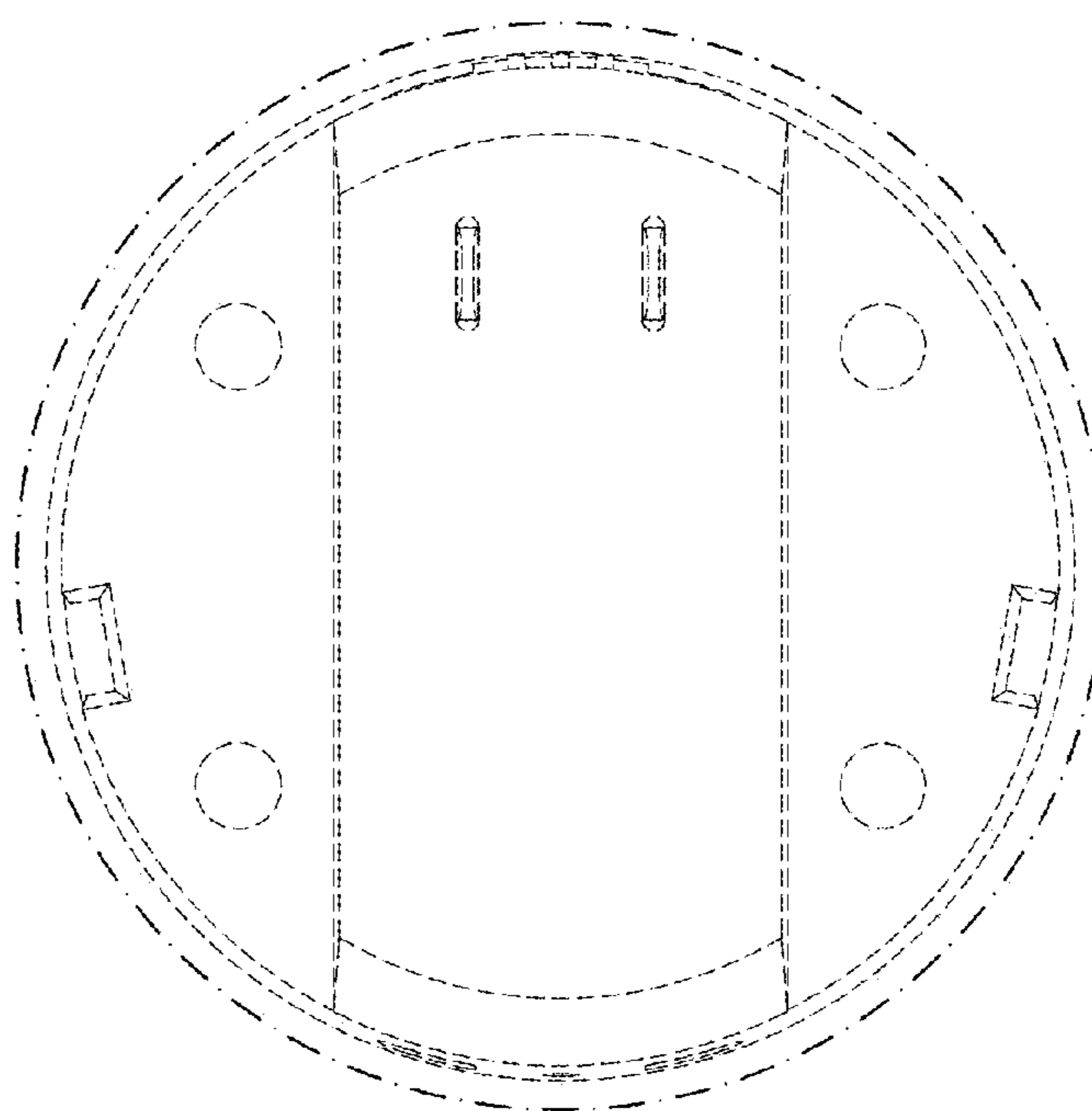


FIG. 4

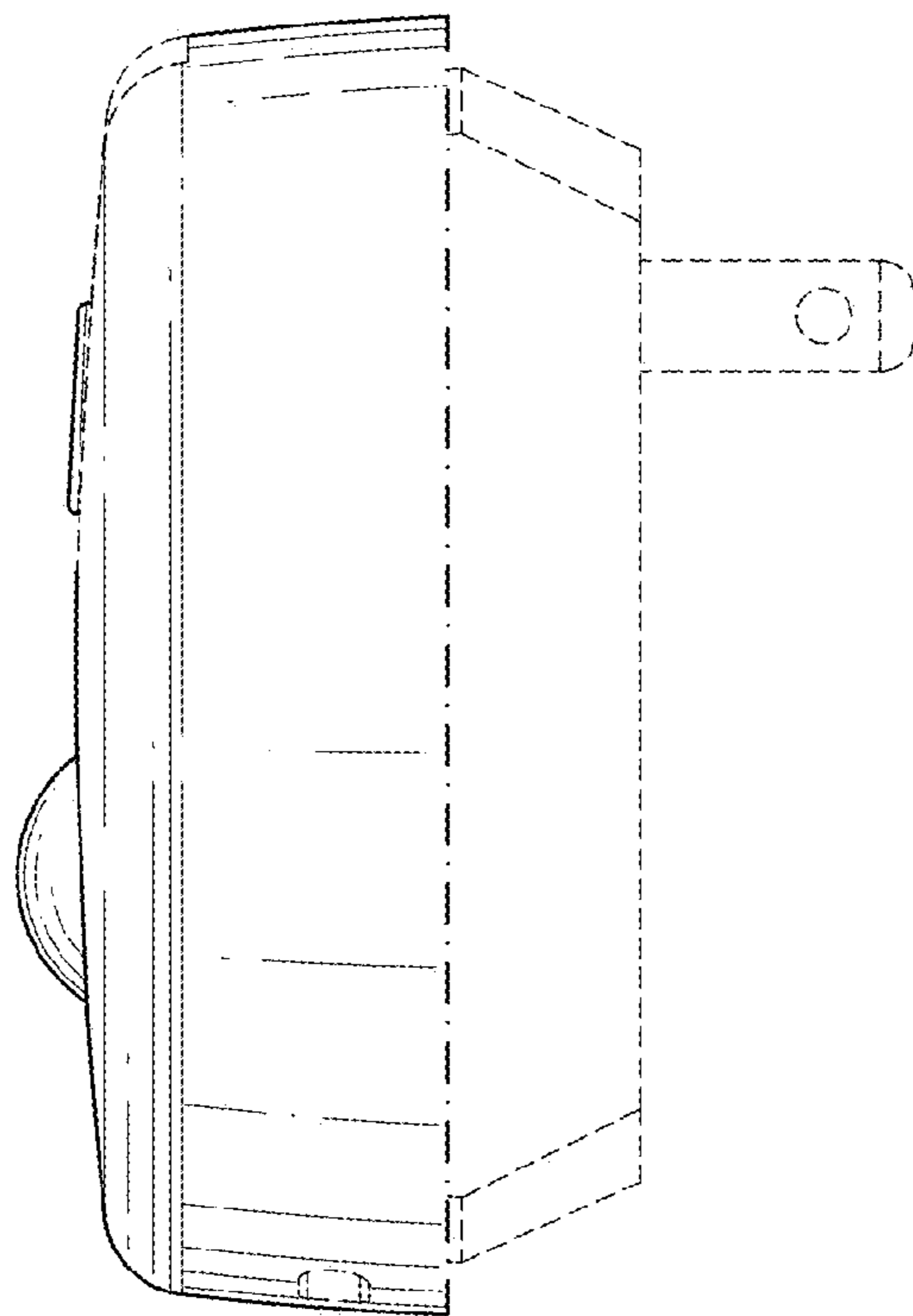


FIG. 5

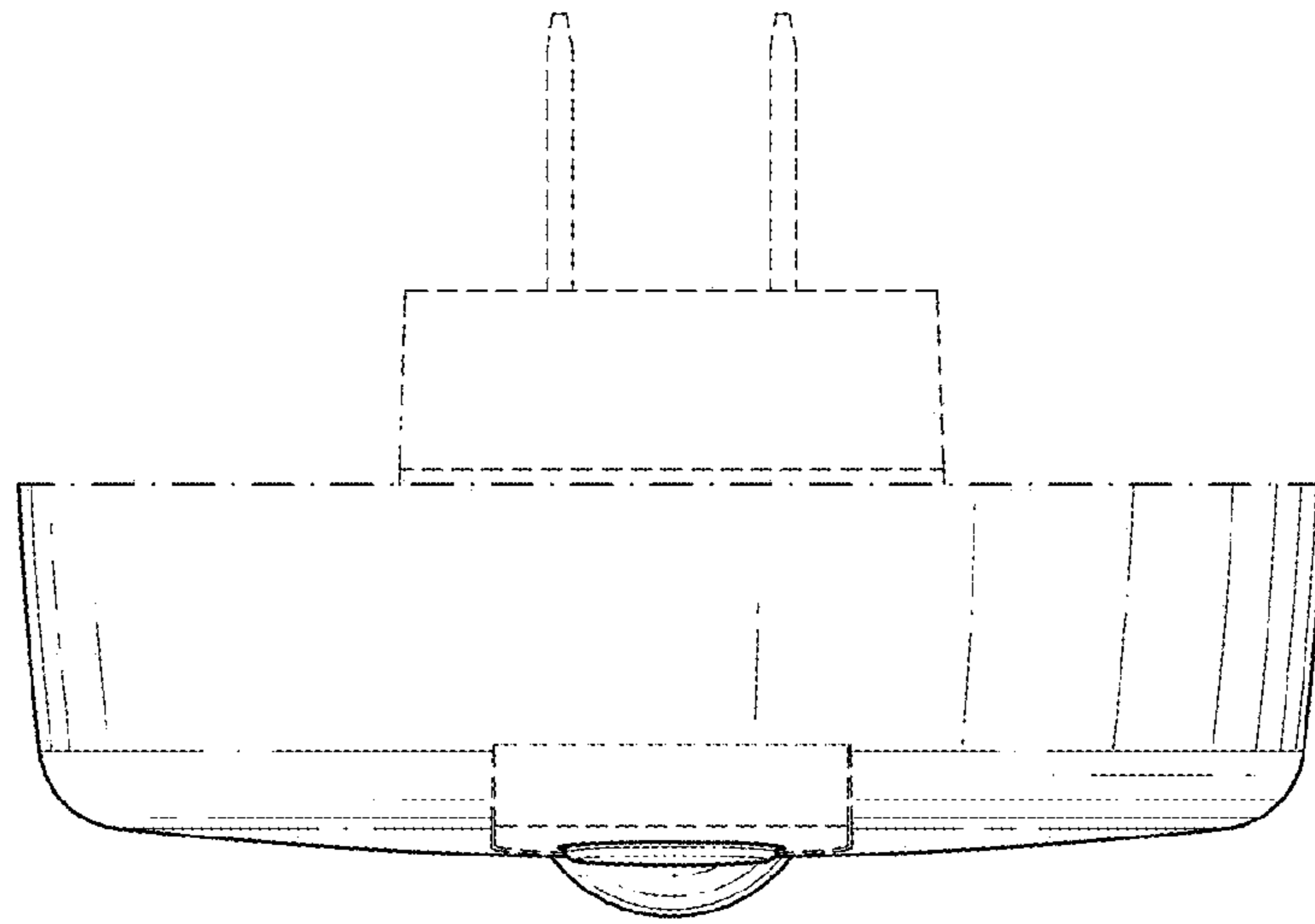


FIG. 6

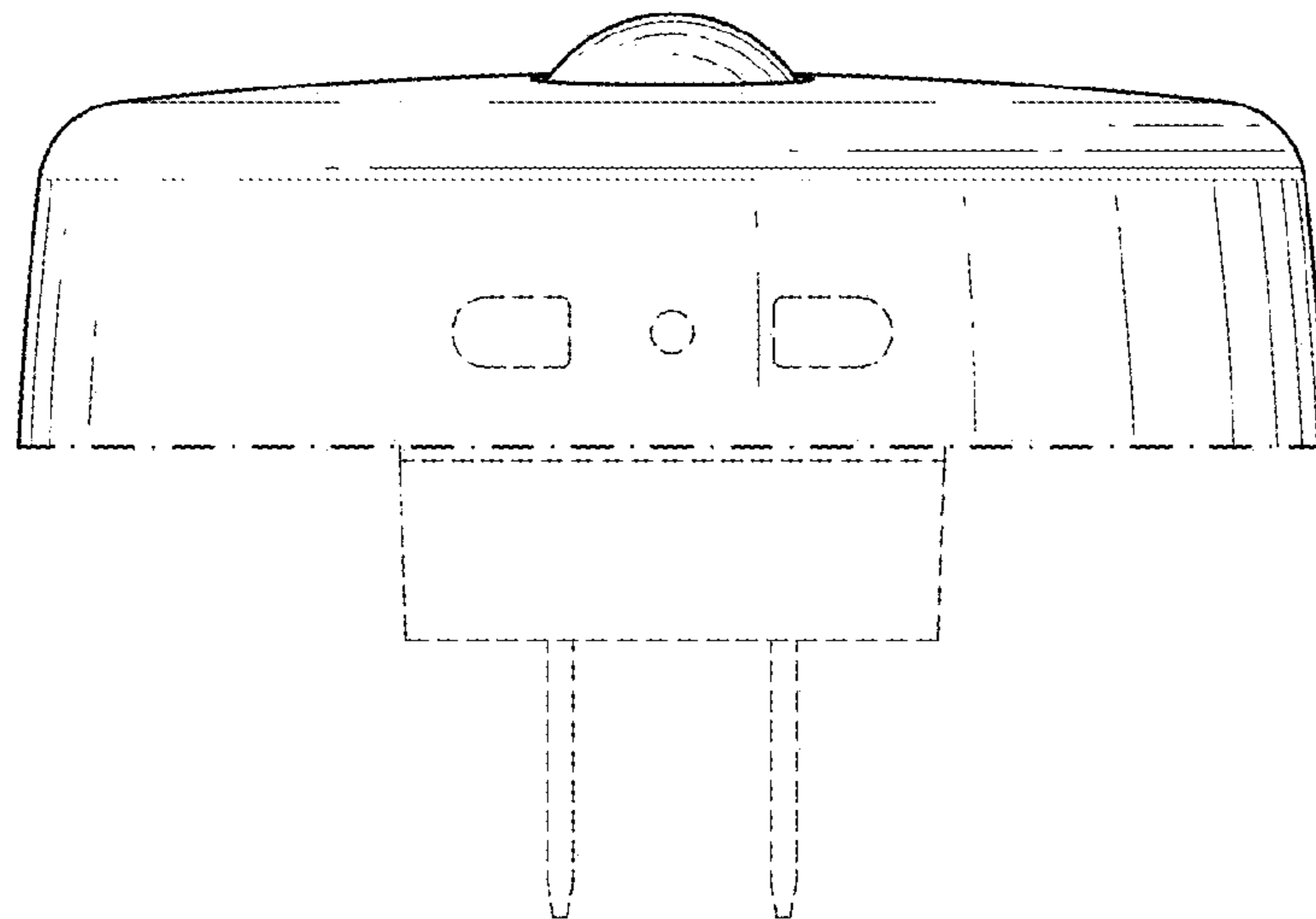


FIG. 7