



US00D747754S

(12) **United States Design Patent**  
**Smith**

(10) **Patent No.:** **US D747,754 S**  
(45) **Date of Patent:** **\*\* Jan. 19, 2016**

(54) **SECURITY DEVICE**  
(71) Applicant: **Quatro Electronics Limited,**  
Hertfordshire (GB)  
(72) Inventor: **David John Smith,** Lancashire (GB)  
(73) Assignee: **Quatro Electronics Limited,**  
Hertfordshire (GB)  
(\*\*) Term: **14 Years**  
(21) Appl. No.: **29/503,044**  
(22) Filed: **Sep. 23, 2014**

D607,479 S 1/2010 Yu  
D608,811 S \* 1/2010 Frank ..... D16/203  
D609,202 S \* 2/2010 Constable ..... D14/126  
D626,984 S \* 11/2010 Miyaji ..... D16/202  
D630,236 S 1/2011 Lian  
D636,424 S 4/2011 Lin  
8,123,419 B2 \* 2/2012 Cirker ..... G03B 11/00  
396/427  
D655,735 S 3/2012 Barley et al.  
D664,177 S 7/2012 Oikawa et al.  
D664,514 S \* 7/2012 Clegg ..... D14/129  
D674,426 S 1/2013 Konishi et al.  
D691,647 S 10/2013 Ye  
D693,868 S 11/2013 Ying  
D704,240 S \* 5/2014 McBride ..... D16/203  
D721,113 S 1/2015 Huang

\* cited by examiner

(30) **Foreign Application Priority Data**  
Mar. 25, 2014 (EM) ..... 002432385-0002  
(51) **LOC (10) Cl.** ..... **16-01**  
(52) **U.S. Cl.**  
USPC ..... **D16/203**  
(58) **Field of Classification Search**  
USPC ..... D16/200, 202, 203, 207, 208, 218;  
348/373-374; 396/427, 535-541  
CPC . H04N 5/2251; H04N 5/2252; H04N 5/2253;  
H04N 5/2254; G03B 11/00; G03B 17/00  
See application file for complete search history.

*Primary Examiner* — Adir Aronovich  
(74) *Attorney, Agent, or Firm* — Wood, Herron & Evans,  
LLP

(57) **CLAIM**  
The ornamental design for a security device, as shown and  
described.

(56) **References Cited**  
U.S. PATENT DOCUMENTS  
6,768,868 B1 \* 7/2004 Schnell ..... G03B 17/00  
396/427  
D579,428 S \* 10/2008 Lee ..... D14/126  
D594,047 S 6/2009 Lee

**DESCRIPTION**

FIG. 1 is a front elevational view of a security device showing  
my new design;  
FIG. 2 is a rear elevational view of the security device;  
FIG. 3 is a left side elevational view of the security device;  
FIG. 4 is a right side elevational view of the security device;  
FIG. 5 is a top plan view of the security device;  
FIG. 6 is a bottom plan view of the security device; and,  
FIG. 7 is a front perspective view of the security device.

**1 Claim, 4 Drawing Sheets**

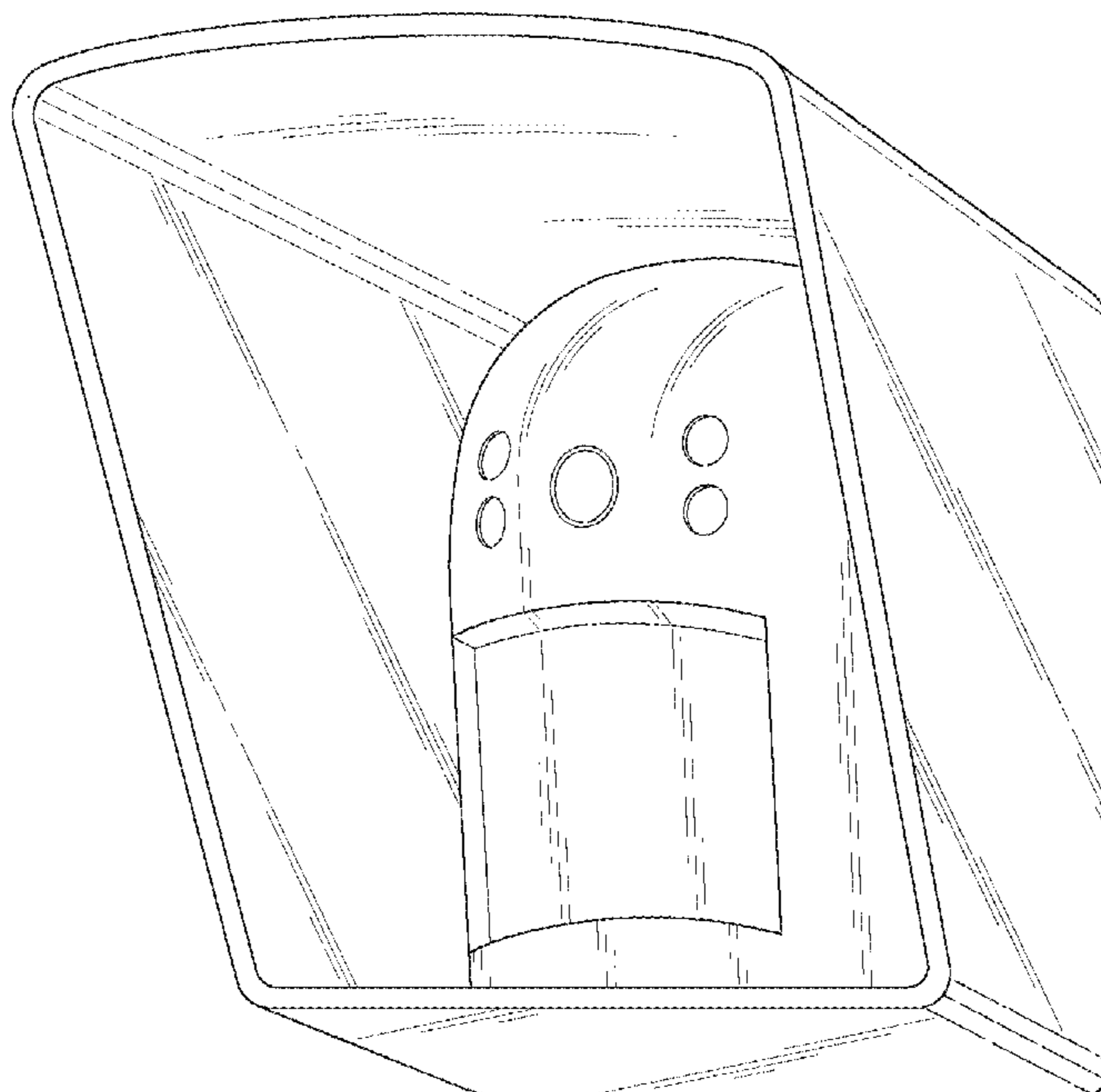


Fig.1

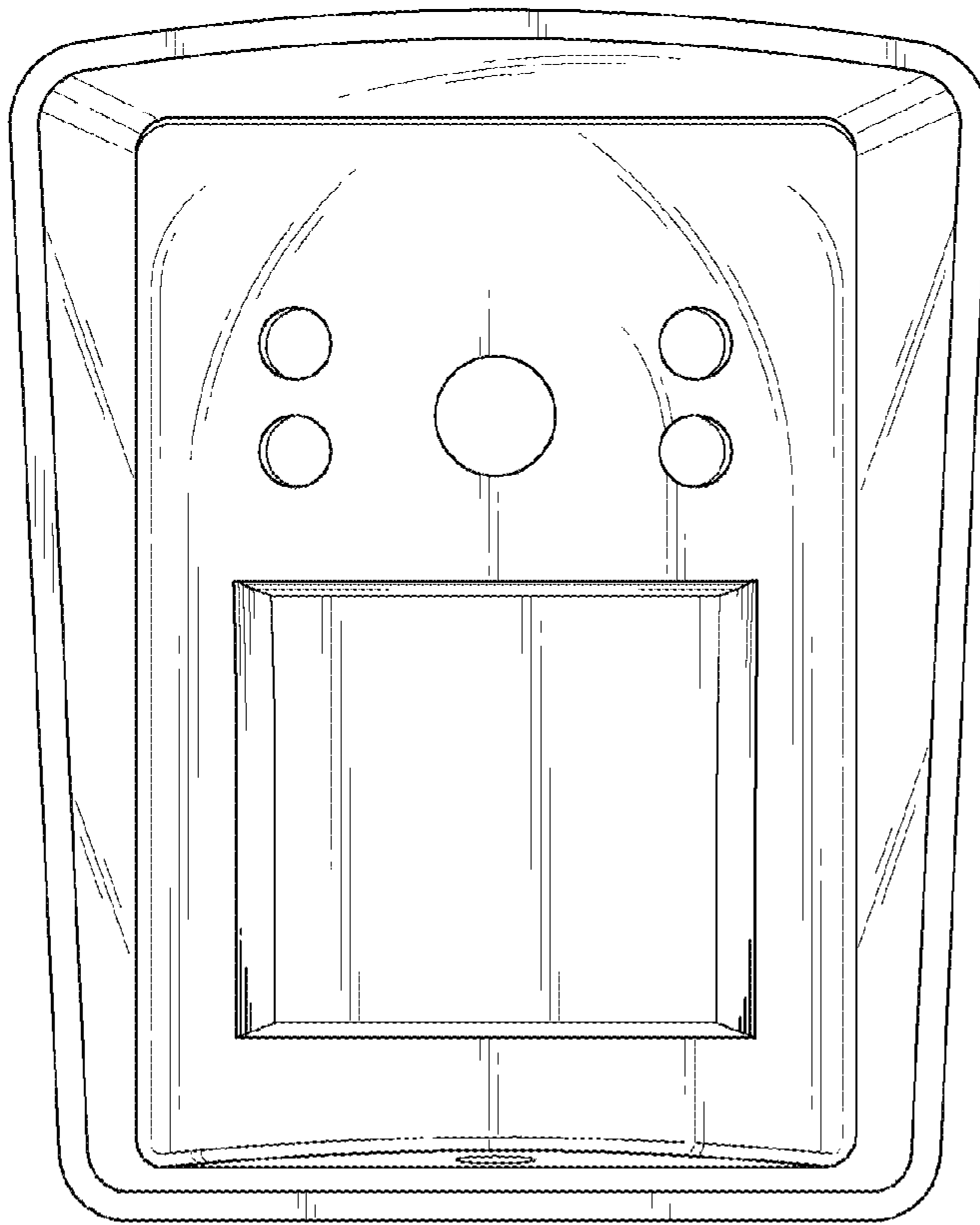


Fig.2

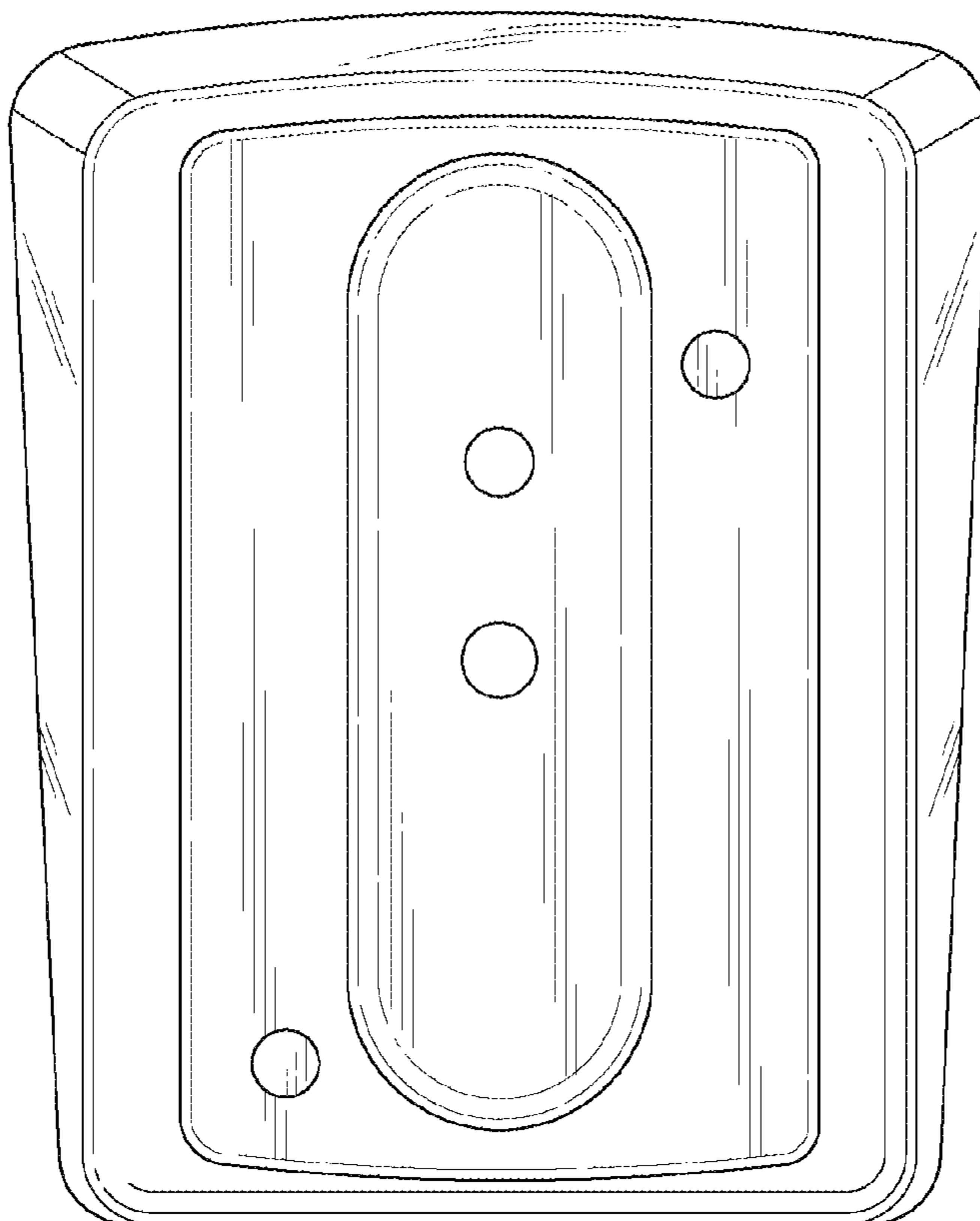


Fig.3

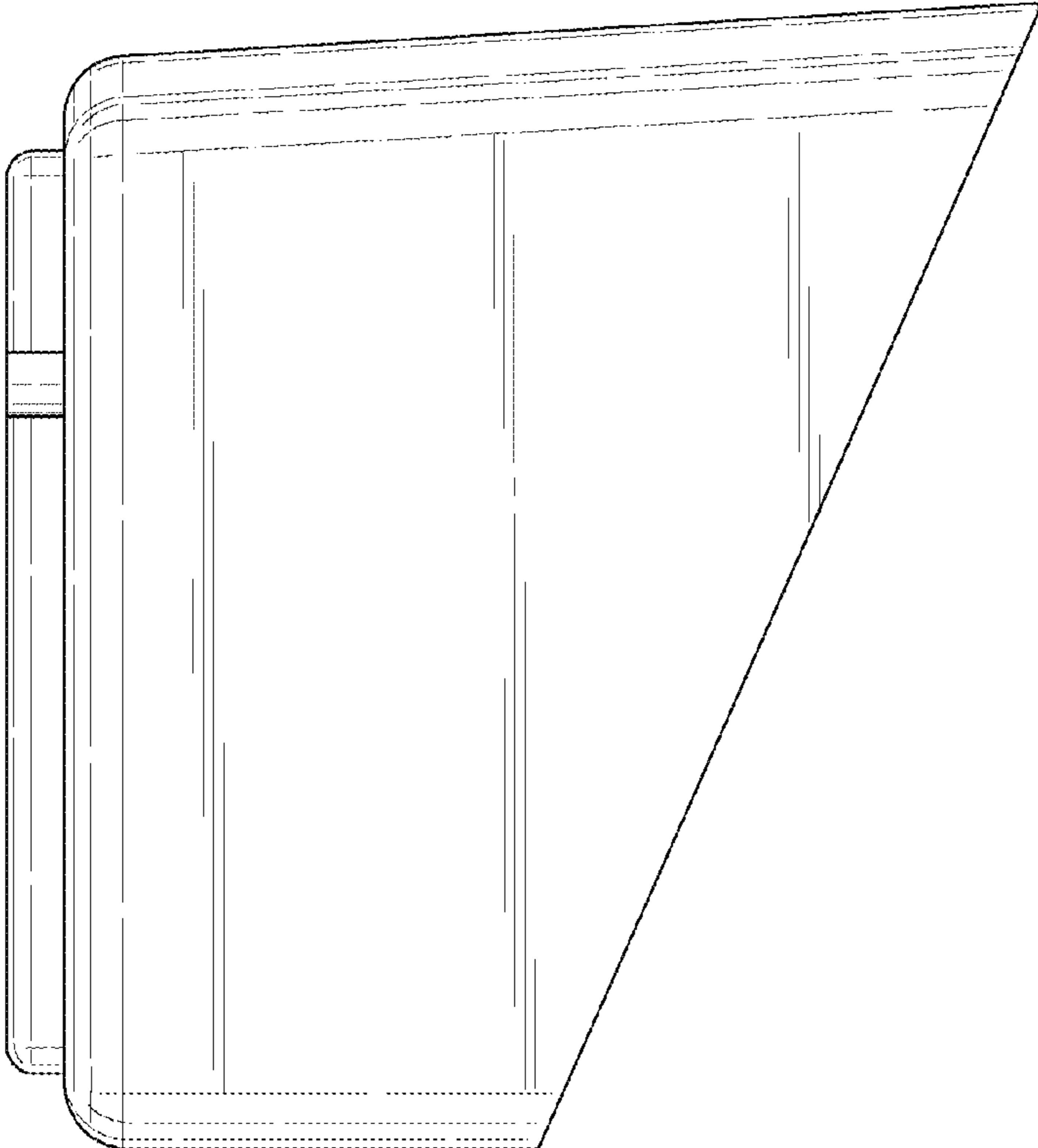
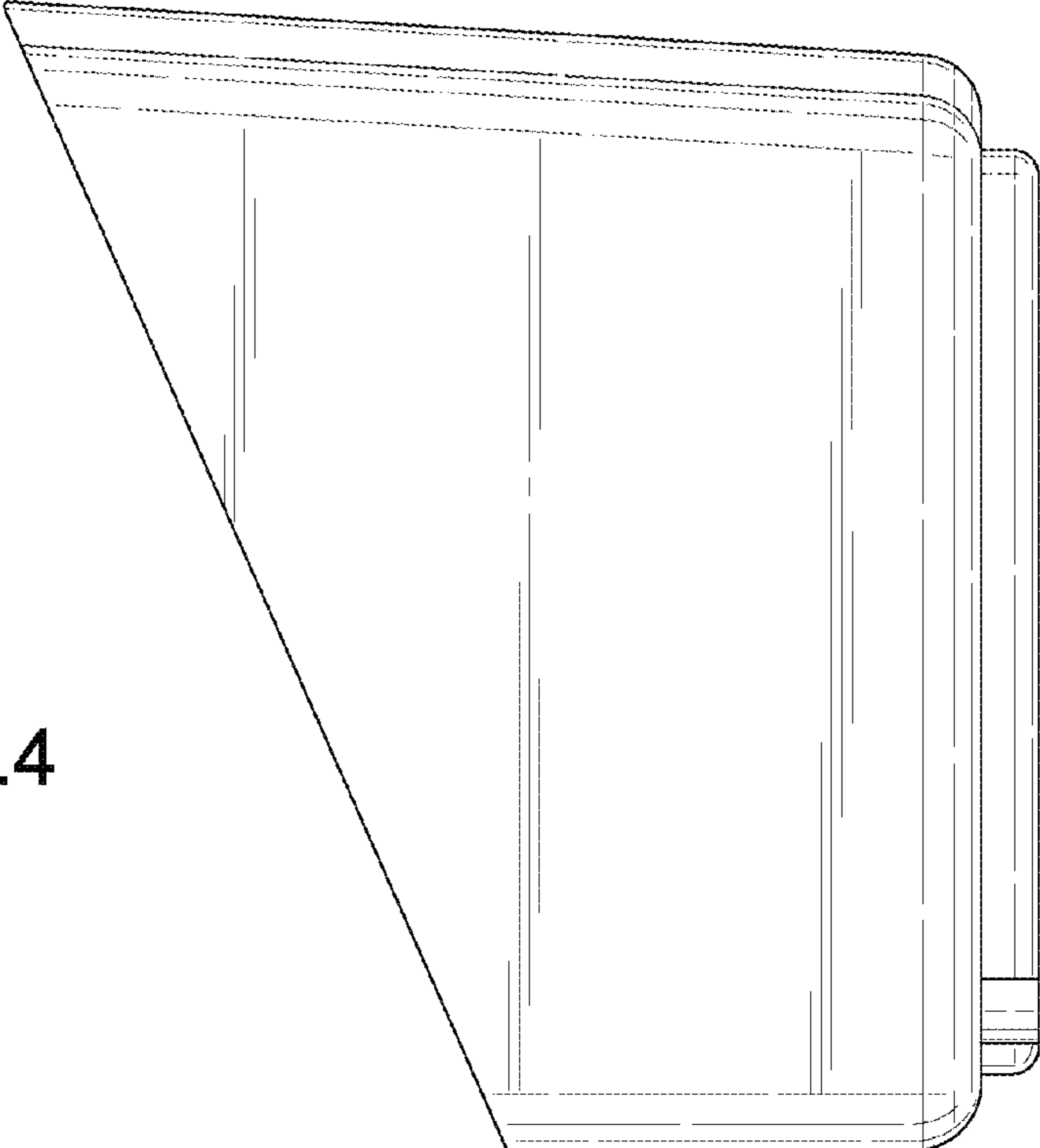


Fig.4



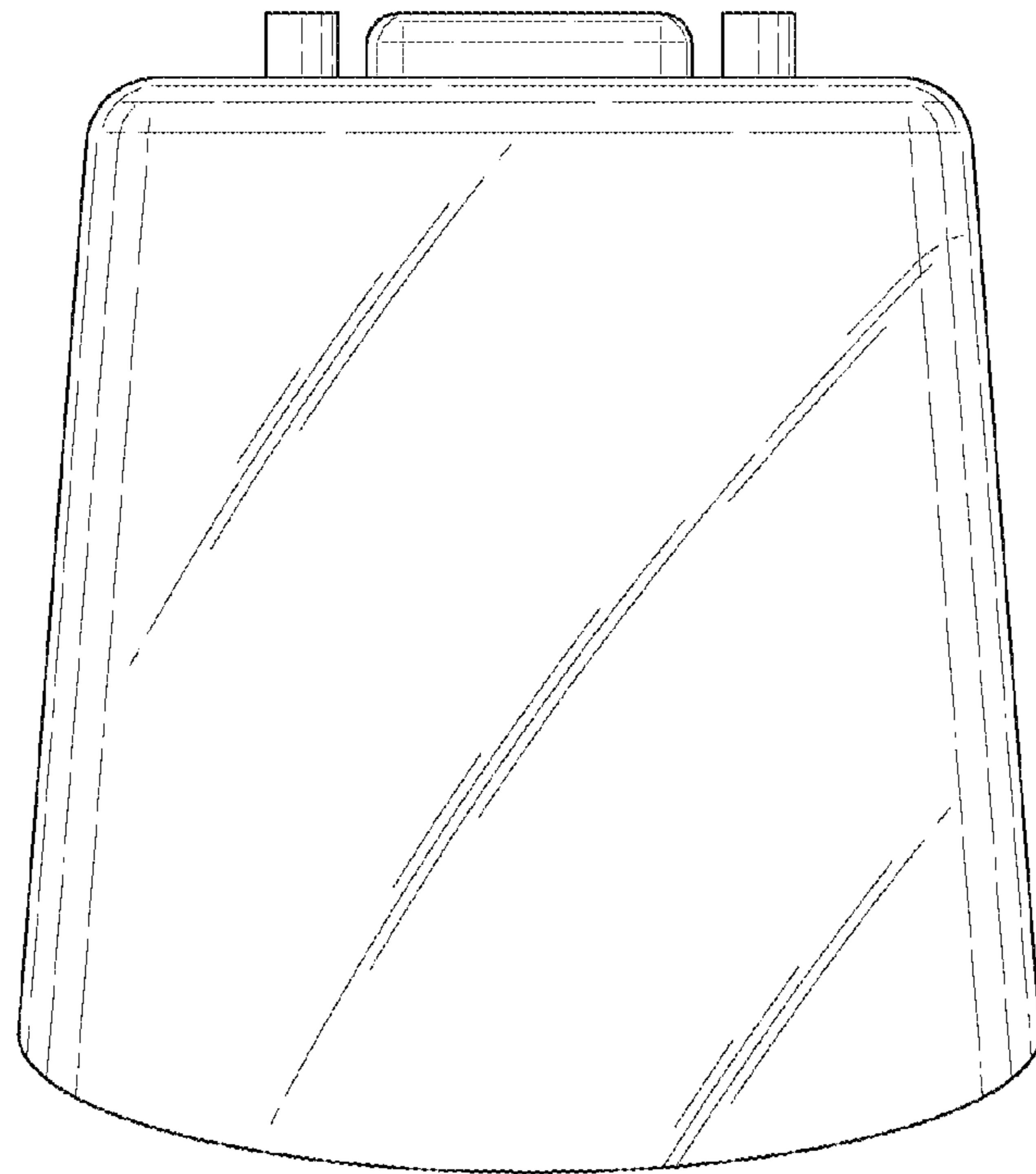


Fig.5

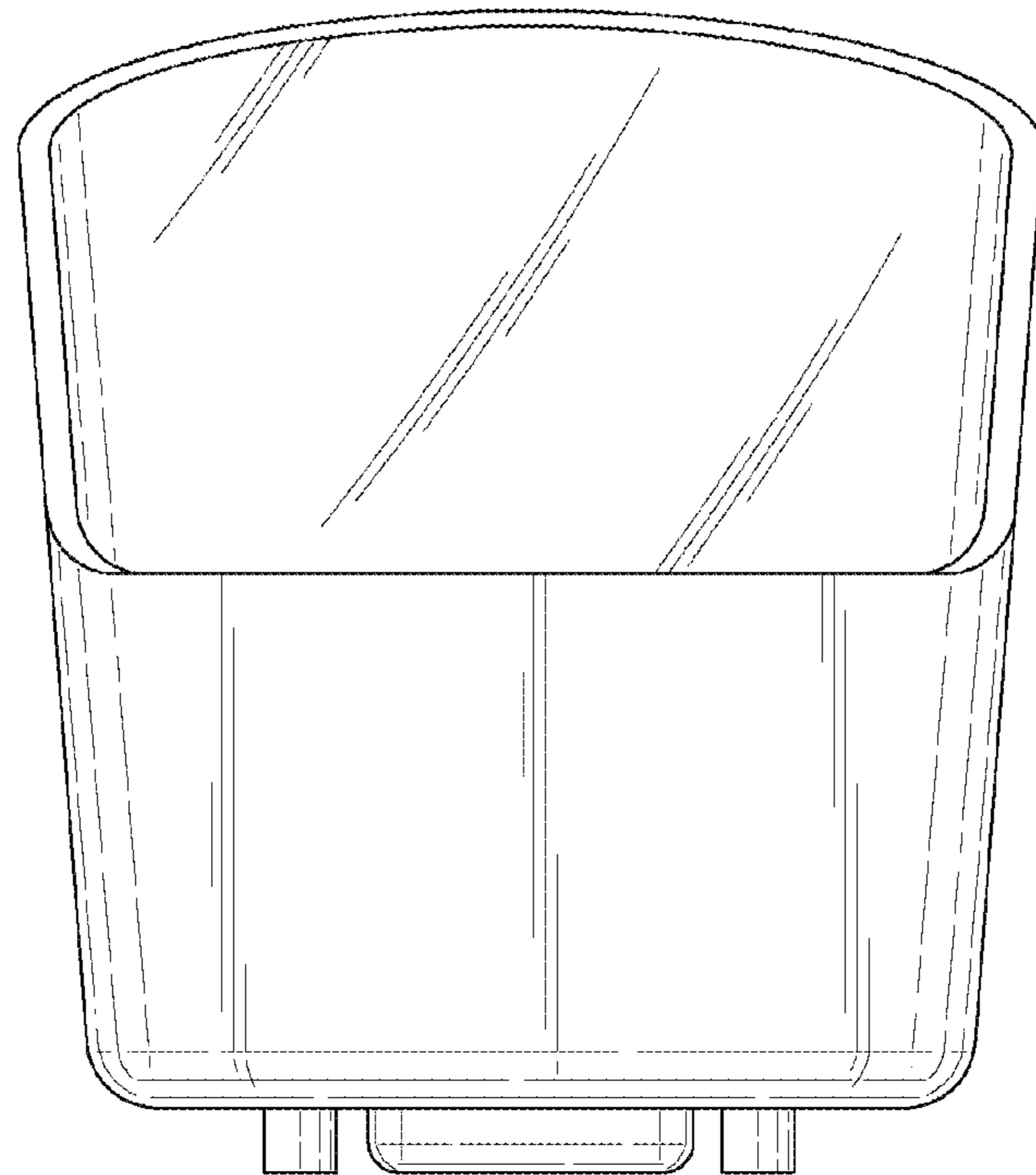


Fig.6

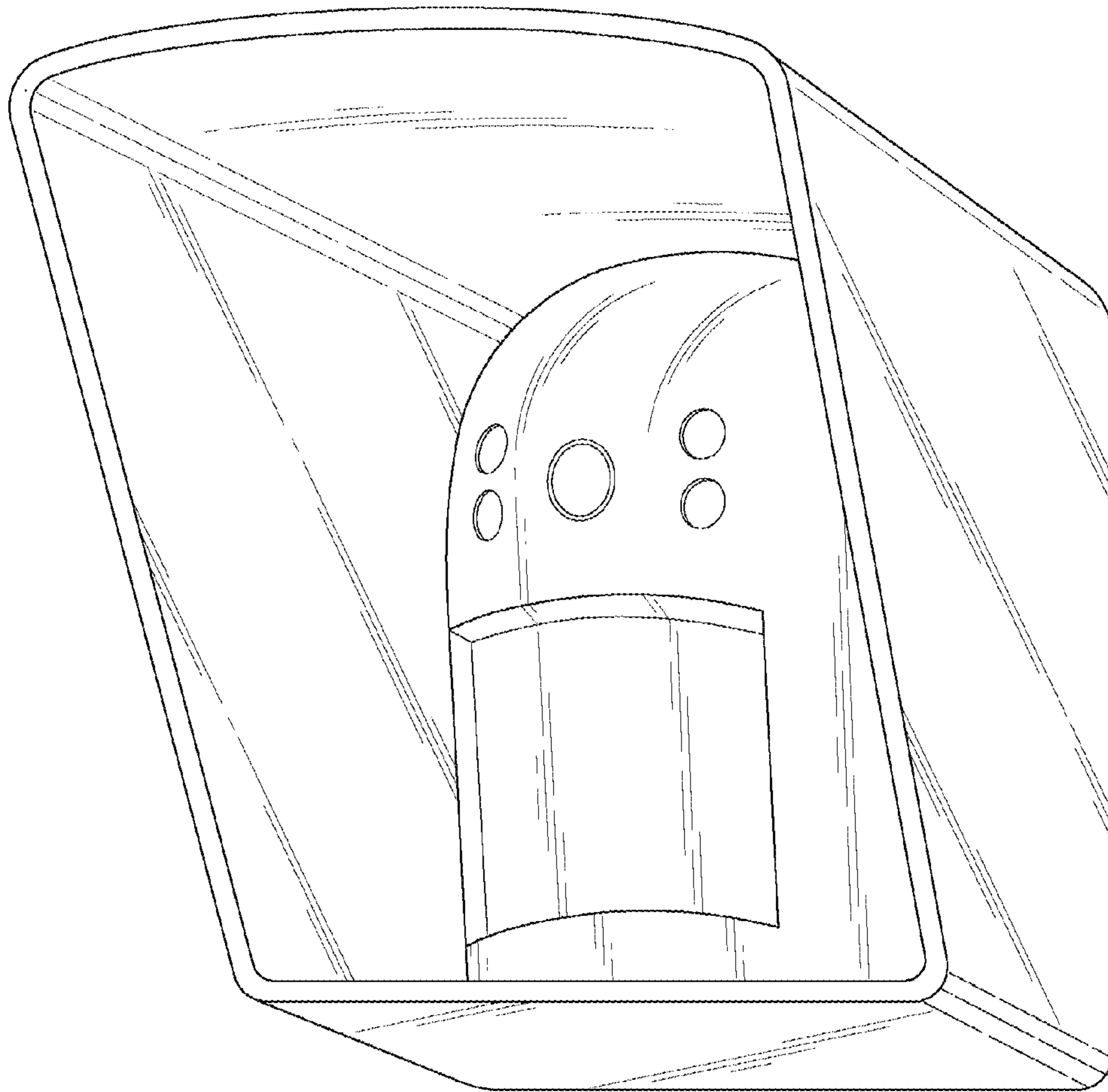


Fig.7