



US00D747752S

(12) **United States Design Patent**
Seigler

(10) **Patent No.:** **US D747,752 S**
(45) **Date of Patent:** **** Jan. 19, 2016**

- (54) **WOOD SPLITTER RACK**
- (71) Applicant: **Robert S. Seigler**, Greenville, SC (US)
- (72) Inventor: **Robert S. Seigler**, Greenville, SC (US)
- (**) Term: **14 Years**
- (21) Appl. No.: **29/497,120**
- (22) Filed: **Jul. 21, 2014**
- (51) **LOC (10) Cl.** **15-09**
- (52) **U.S. Cl.**
USPC **D15/127; D15/28**
- (58) **Field of Classification Search**
USPC **D15/28, 127**
See application file for complete search history.

- (56) **References Cited**
- U.S. PATENT DOCUMENTS
- 3,862,651 A * 1/1975 Heikkinen B27L 7/00
144/194
 - 4,086,111 A 4/1978 Corey
 - 4,240,476 A * 12/1980 Rattray B27L 7/00
144/193.1
 - 4,351,377 A 9/1982 Hamel
 - D267,841 S * 2/1983 Leslie D12/16
 - 4,373,564 A * 2/1983 Heikkinen B27L 7/00
144/366
 - 4,392,629 A * 7/1983 Dallman F25D 19/00
108/152
 - 4,431,362 A 2/1984 Wech, Jr. et al.
 - D274,062 S * 5/1984 Hansen D15/27
 - 4,461,331 A 7/1984 Mertz
 - 4,487,239 A 12/1984 Anderson
 - 4,544,008 A 10/1985 Reini
 - D285,885 S * 9/1986 Cusenza D6/512
 - 4,628,781 A * 12/1986 Rowley B27B 1/007
198/468.2
 - 4,667,712 A * 5/1987 Hudson B27L 7/00
144/195.1
 - D297,796 S * 9/1988 Bateman D6/566
 - D300,420 S * 3/1989 Trinnaman D12/171
 - 4,842,030 A 6/1989 Meyer
 - 4,913,412 A * 4/1990 Plouvier B27B 29/00
100/236
 - D308,682 S * 6/1990 Yoder D15/28

- 4,930,386 A * 6/1990 Laskowski B23D 53/04
414/546
- D314,578 S * 2/1991 Morrison D15/13
- 4,989,655 A * 2/1991 Peterson B27L 1/122
144/208.7
- 5,022,445 A * 6/1991 Holestine B27B 25/04
144/195.1
- 5,284,193 A * 2/1994 Mires B27L 7/00
144/193.1
- D347,846 S * 6/1994 Derreberry D15/28
- 5,333,693 A * 8/1994 Severeid A01G 23/06
171/82
- D351,844 S * 10/1994 Chesser D15/10
- D367,314 S * 2/1996 Nilsson D15/28
- 5,526,855 A 6/1996 Graham
- D381,994 S * 8/1997 Weirick D15/127
- 6,079,574 A * 6/2000 Mylander A47F 5/01
211/106
- 6,135,178 A * 10/2000 Fager B27L 7/00
144/193.1
- D457,174 S 5/2002 Bissell
- D466,135 S * 11/2002 Spomer D15/33
- 6,698,479 B1 3/2004 Kelso
- 7,104,295 B2 * 9/2006 Heikkinen B27L 7/06
144/193.1
- 7,108,029 B2 * 9/2006 Albright B27L 7/06
144/193.2

(Continued)

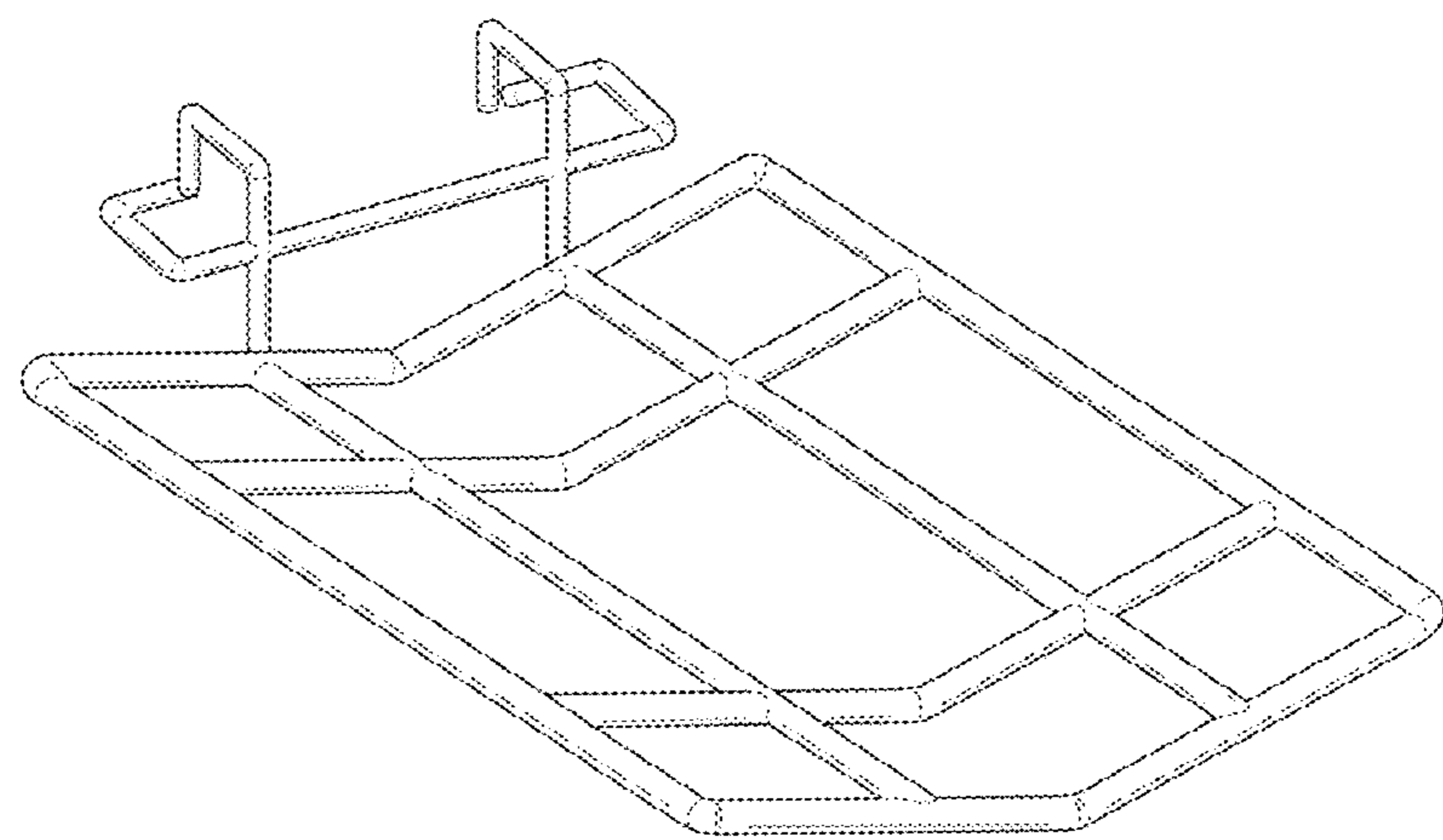
Primary Examiner — Patricia Palasik
(74) *Attorney, Agent, or Firm* — Smith Moore Leatherwood LLP; Thomas W. Epting

(57) **CLAIM**
The ornamental design for a wood splitter rack, as shown and described.

DESCRIPTION

FIG. 1 is a perspective view of an embodiment of a wood splitter rack showing my new design; FIG. 2 is another perspective view thereof; FIG. 3 is a front end elevational view thereof; FIG. 4 is a rear end elevational view thereof; FIG. 5 is a left side elevational view thereof; FIG. 6 is a right side elevational view thereof; FIG. 7 is a top plan view thereof; and, FIG. 8 is a bottom plan view thereof. The broken lines shown in the drawings are for environmental purposes only and form no part of the claimed design.

1 Claim, 6 Drawing Sheets



US D747,752 S

Page 2

(56)

References Cited

U.S. PATENT DOCUMENTS

7,134,464	B2 *	11/2006	Walker	B27L 7/00	7,814,945	B2	10/2010	Babcock	
				144/193.2	8,573,106	B2 *	11/2013	Burton	B27B 15/02
7,334,615	B2	2/2008	Paradise						83/794
7,446,279	B2	11/2008	Paradise		D738,404	S *	9/2015	Paine	D15/28
7,669,618	B1 *	3/2010	Halverson	B27L 7/00	2008/0016725	A1 *	1/2008	Boehm	A01G 23/06
				144/193.1					37/302
					2011/0304087	A1	12/2011	Gibson	
					2012/0255650	A1	10/2012	Fields	
					2013/0000785	A1	1/2013	Banjo et al.	

* cited by examiner

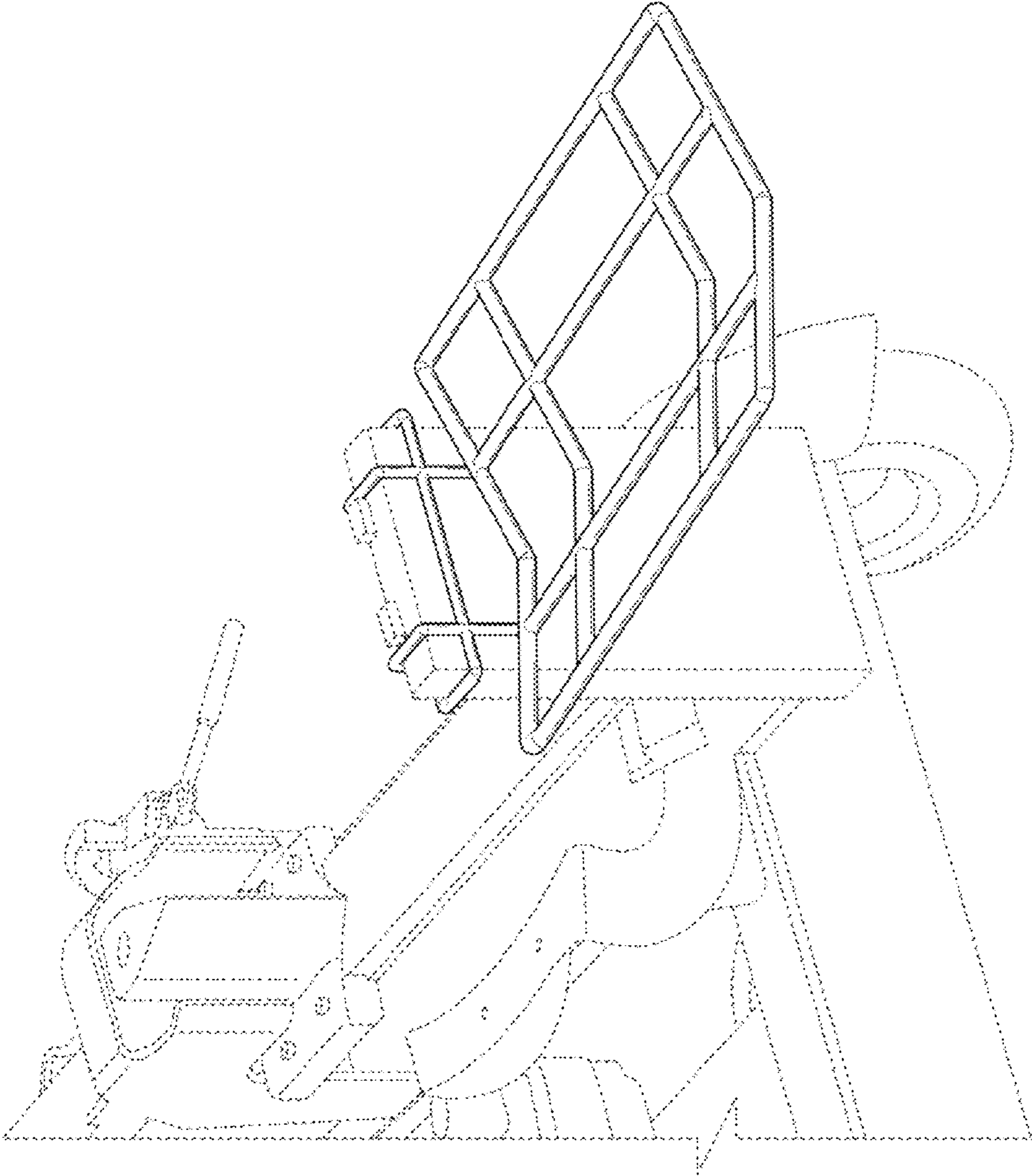


FIG. 1

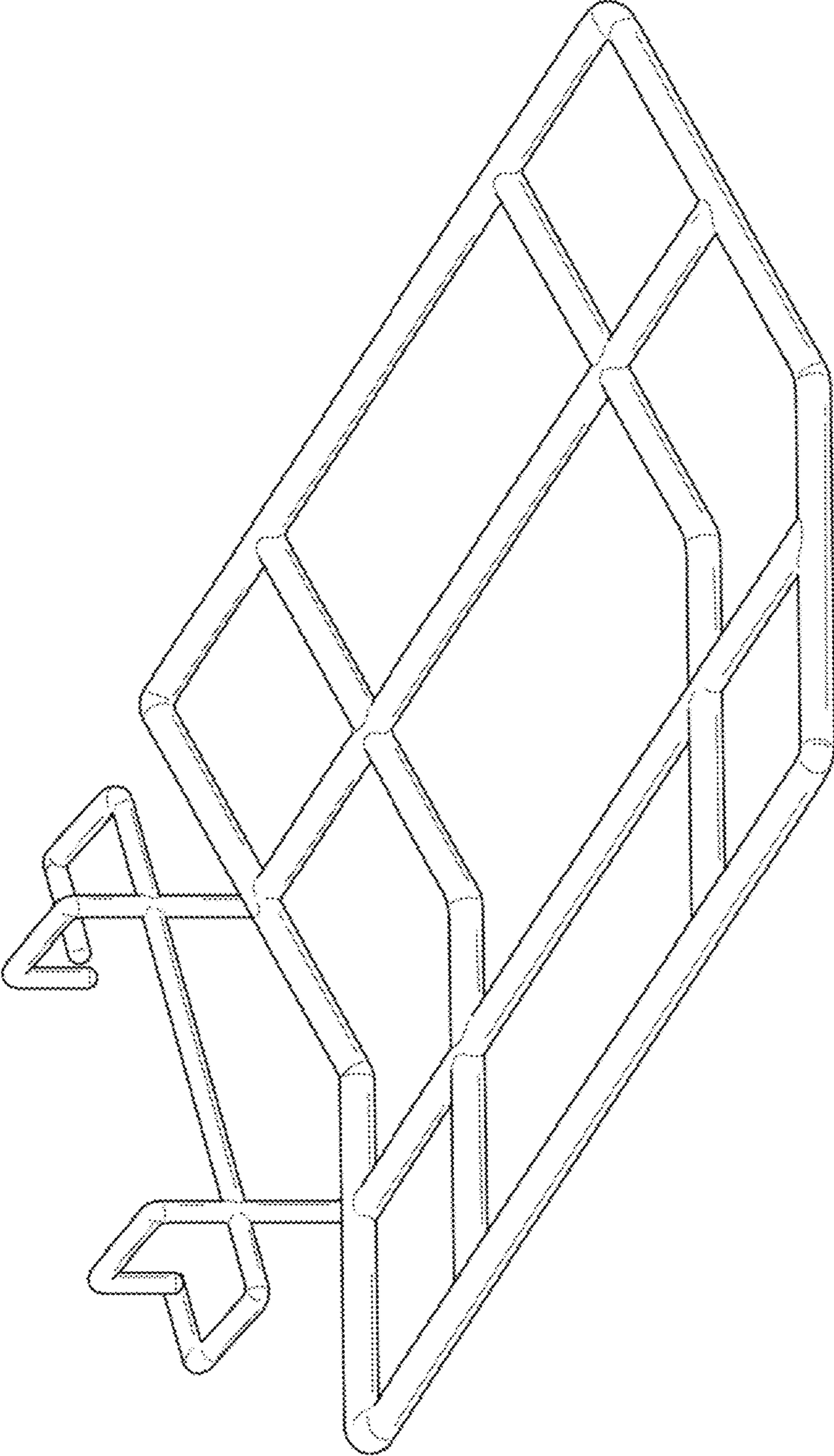


FIG. 2

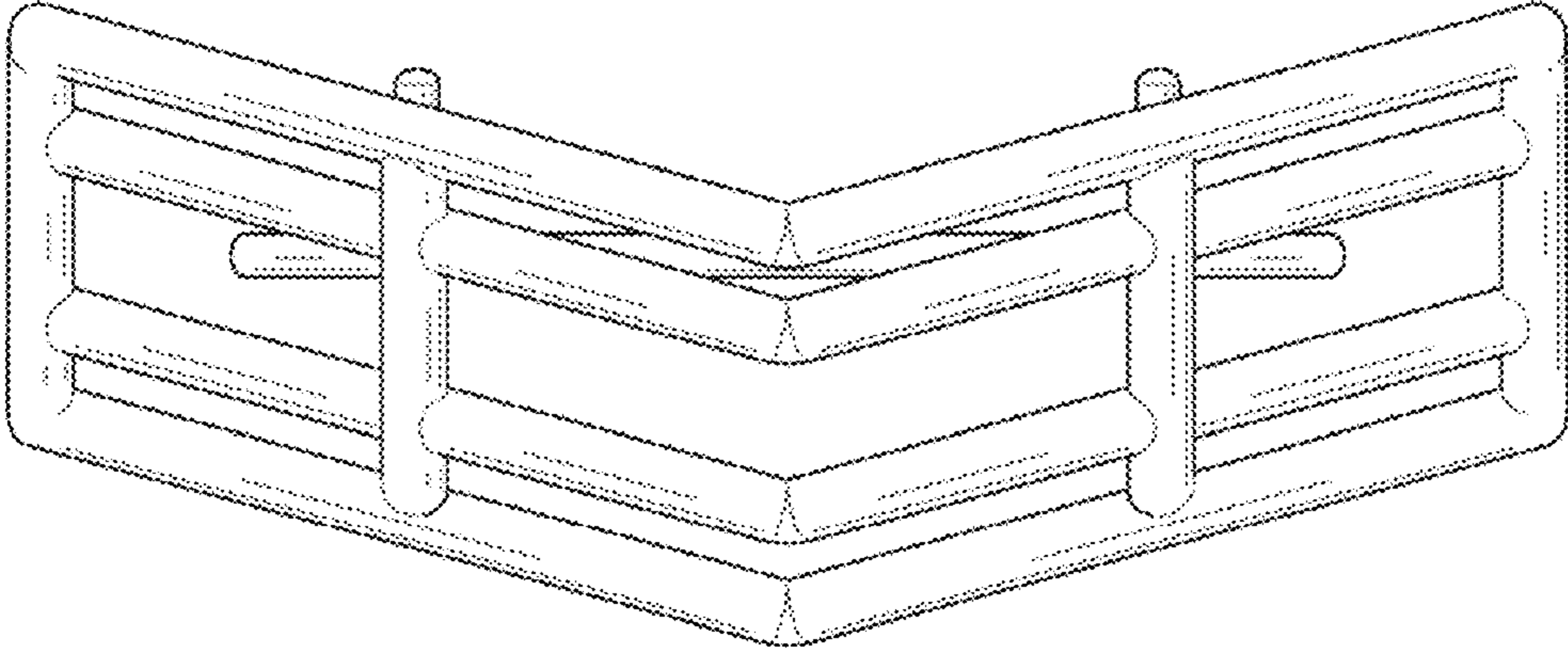


FIG. 3

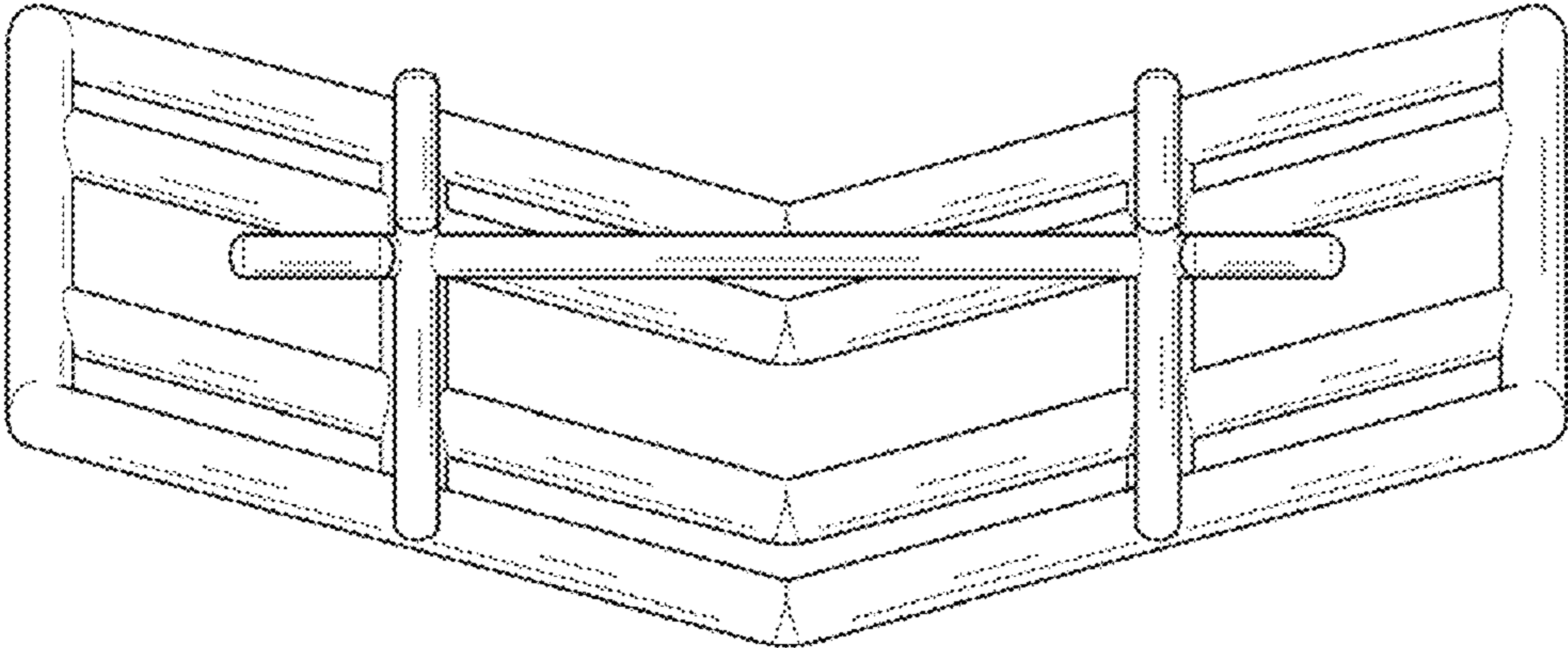


FIG. 4

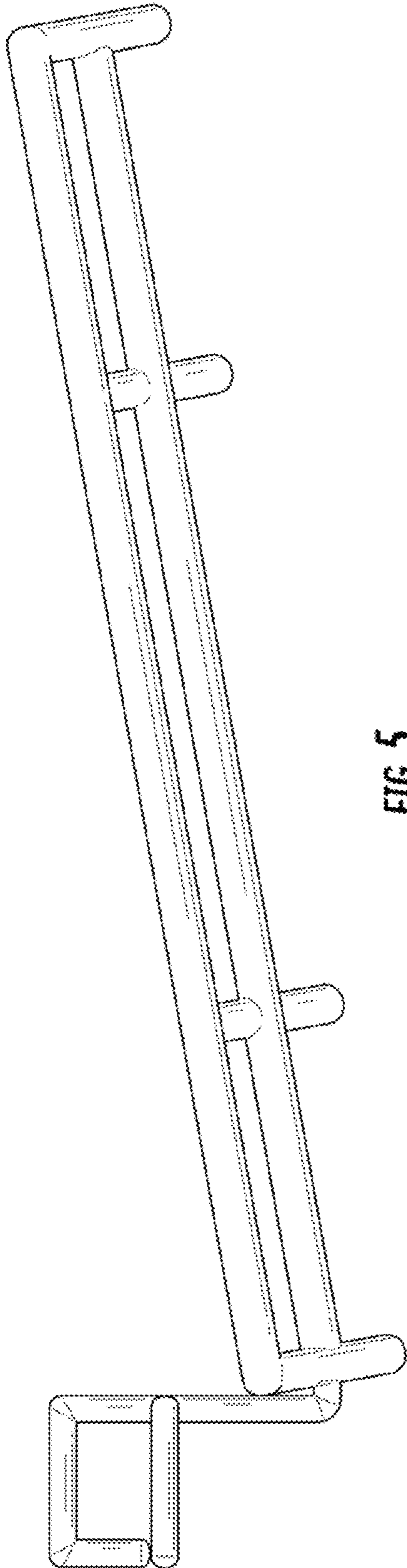


FIG. 5

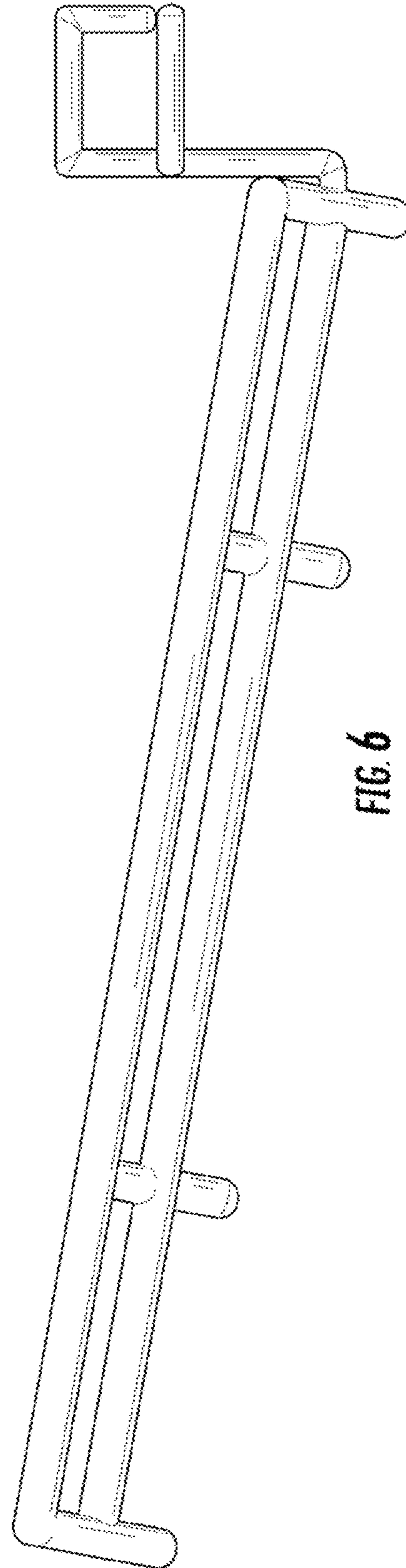


FIG. 6

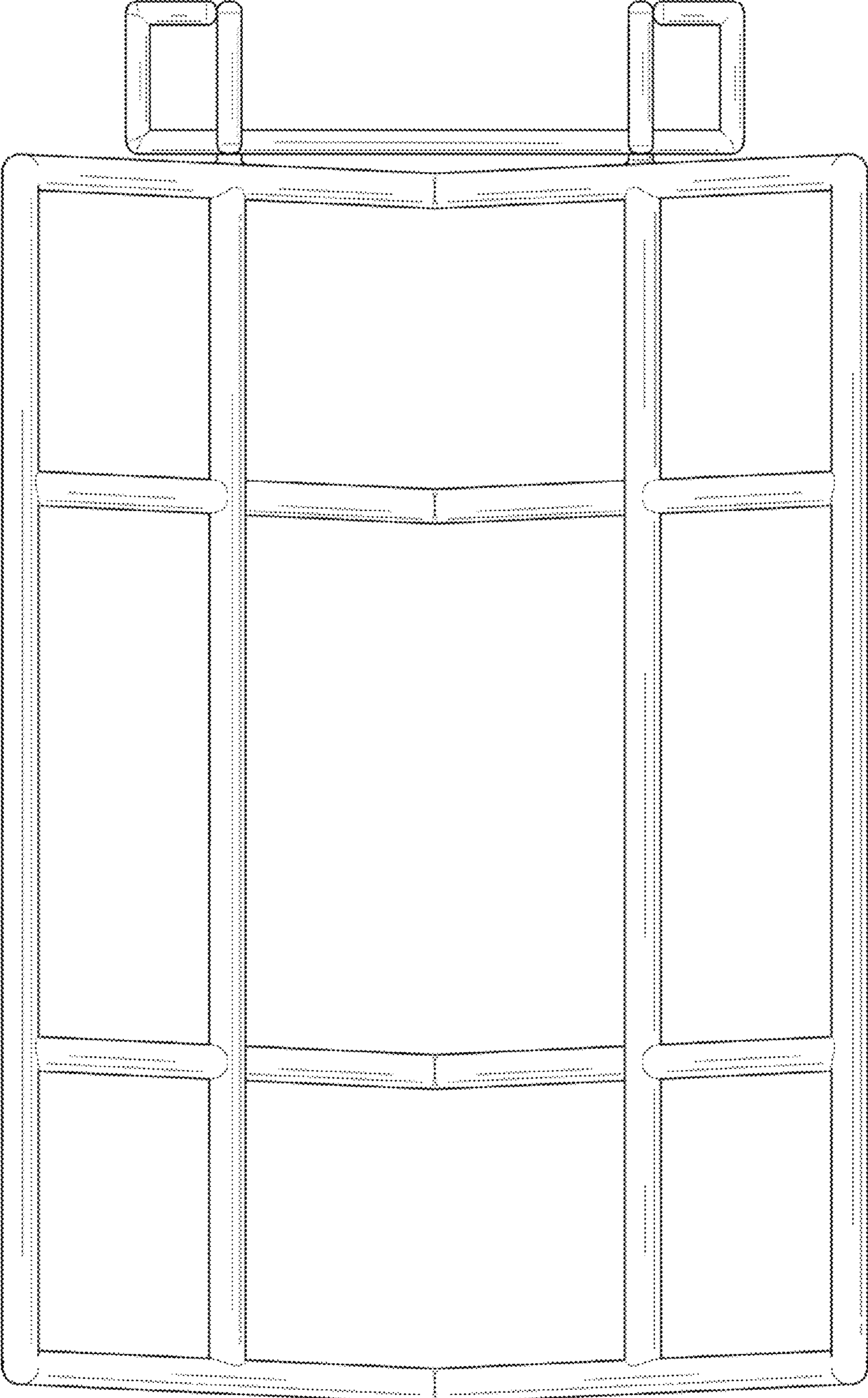


FIG. 7

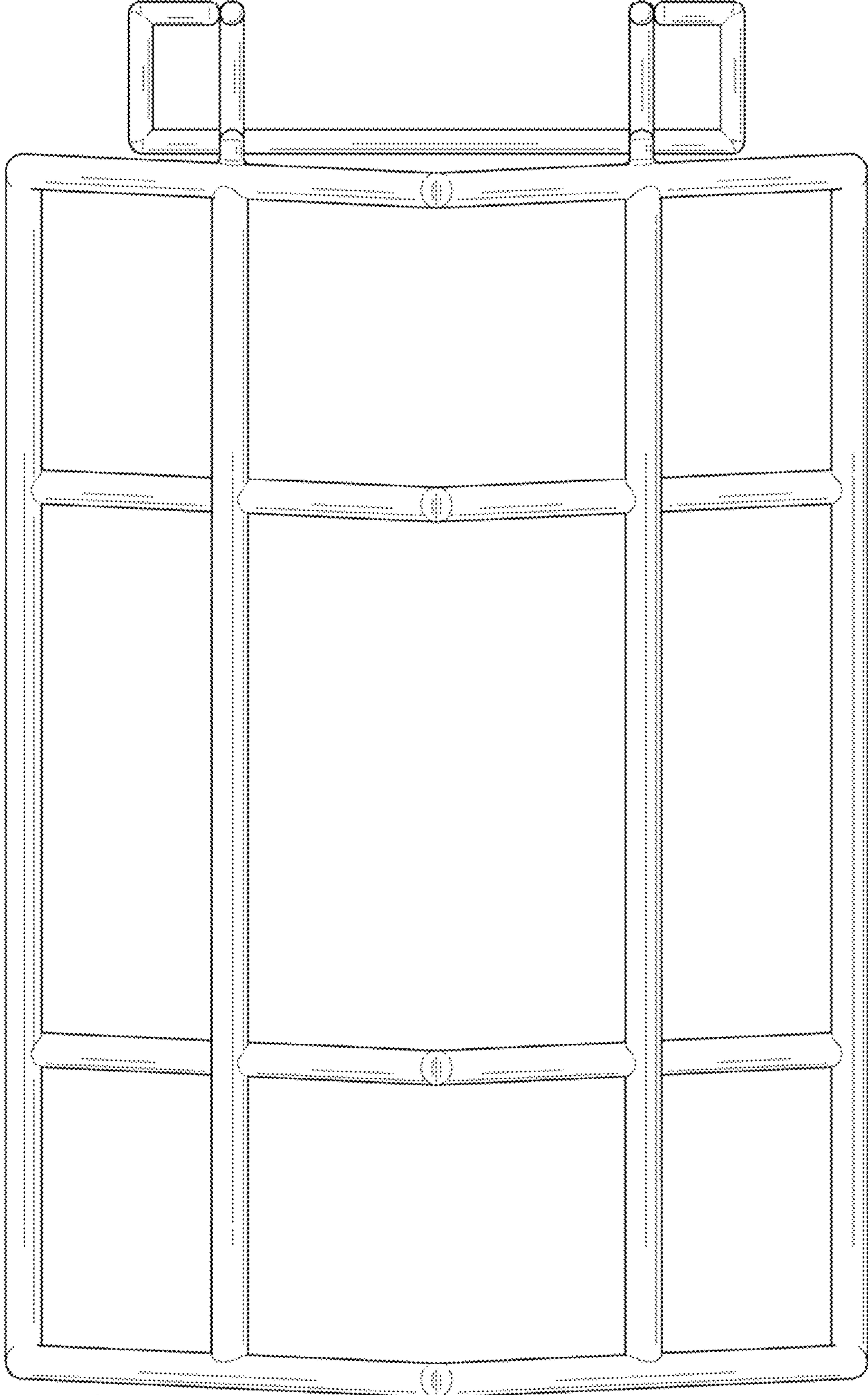


FIG. 8