



US00D747750S

(12) **United States Design Patent**  
**Kim et al.**

(10) **Patent No.:** **US D747,750 S**  
(45) **Date of Patent:** **\*\* Jan. 19, 2016**

(54) **CONTAINER FOR REFRIGERATOR**

(71) Applicant: **Samsung Electronics Co., Ltd.**,  
Suwon-si (KR)

(72) Inventors: **Ae Ryun Kim**, Ansan-si (KR); **Sun Min Lee**, Seoul (KR); **Seon Ju Lee**, Seoul (KR)

(73) Assignee: **Samsung Electronics Co., Ltd.**,  
Suwon-si (KR)

(\*\*) Term: **14 Years**

(21) Appl. No.: **29/509,827**

(22) Filed: **Nov. 21, 2014**

(30) **Foreign Application Priority Data**

May 22, 2014 (KR) ..... 30-2014-0025347

(51) **LOC (10) Cl.** ..... **15-07**

(52) **U.S. Cl.**  
USPC ..... **D15/89**

(58) **Field of Classification Search**

USPC ..... D15/79-91  
CPC ..... F25D 23/028; F25D 23/02; F25D 25/025;  
F25D 23/00; F25D 2323/021; F25D 11/00;  
F25D 2323/024; F25D 23/04; F25D 29/00;  
F25D 25/02; F25D 25/024; F25D 27/005;  
F25D 23/12; F25D 29/005; F25D 17/042;  
F25D 2325/021; F25D 2323/02

See application file for complete search history.

(56) **References Cited**

U.S. PATENT DOCUMENTS

D484,150 S \* 12/2003 Becke ..... D15/89  
D669,921 S \* 10/2012 Kinser ..... D15/89  
D709,531 S \* 7/2014 Park ..... D15/89  
D733,773 S \* 7/2015 Lee ..... D15/89

\* cited by examiner

*Primary Examiner* — Daniel Bui

*Assistant Examiner* — Khawaja Anwar

(74) *Attorney, Agent, or Firm* — NSIP Law

(57) **CLAIM**

We claim the ornamental design for a container for refrigerator, as shown and described.

**DESCRIPTION**

FIG. 1 is a front perspective view of a container for refrigerator showing our new design;

FIG. 2 is a front view thereof;

FIG. 3 is a rear view thereof;

FIG. 4 is a left-side view thereof;

FIG. 5 is a right-side view thereof;

FIG. 6 is a top view thereof;

FIG. 7 is a bottom view thereof;

FIG. 8 is a bottom right-side front perspective view thereof; and,

FIG. 9 is a front perspective view thereof, in an alternate configuration.

The broken line in the figure drawings represents unclaimed environment only and forms no part of the claimed design.

**1 Claim, 9 Drawing Sheets**

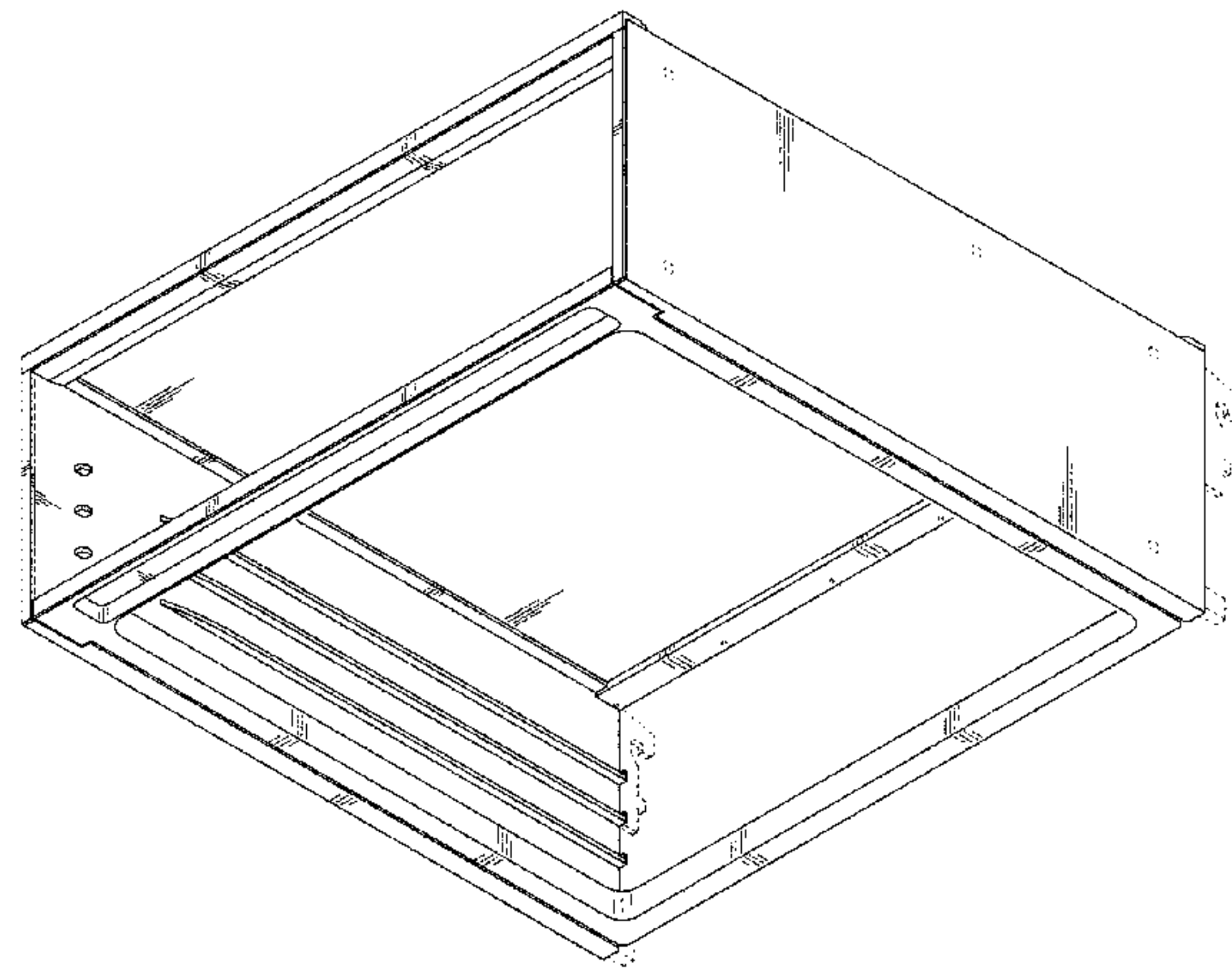
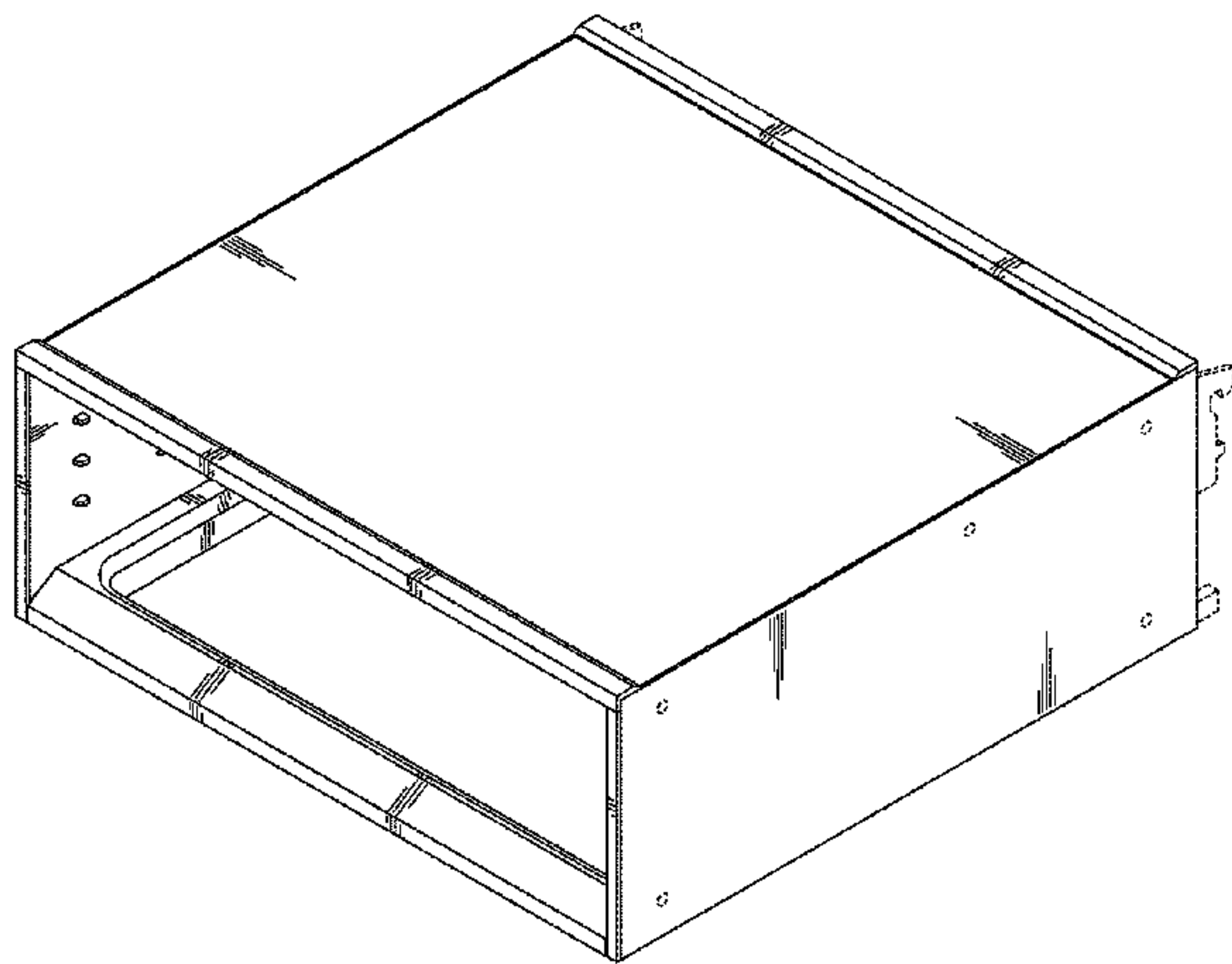


FIG. 1

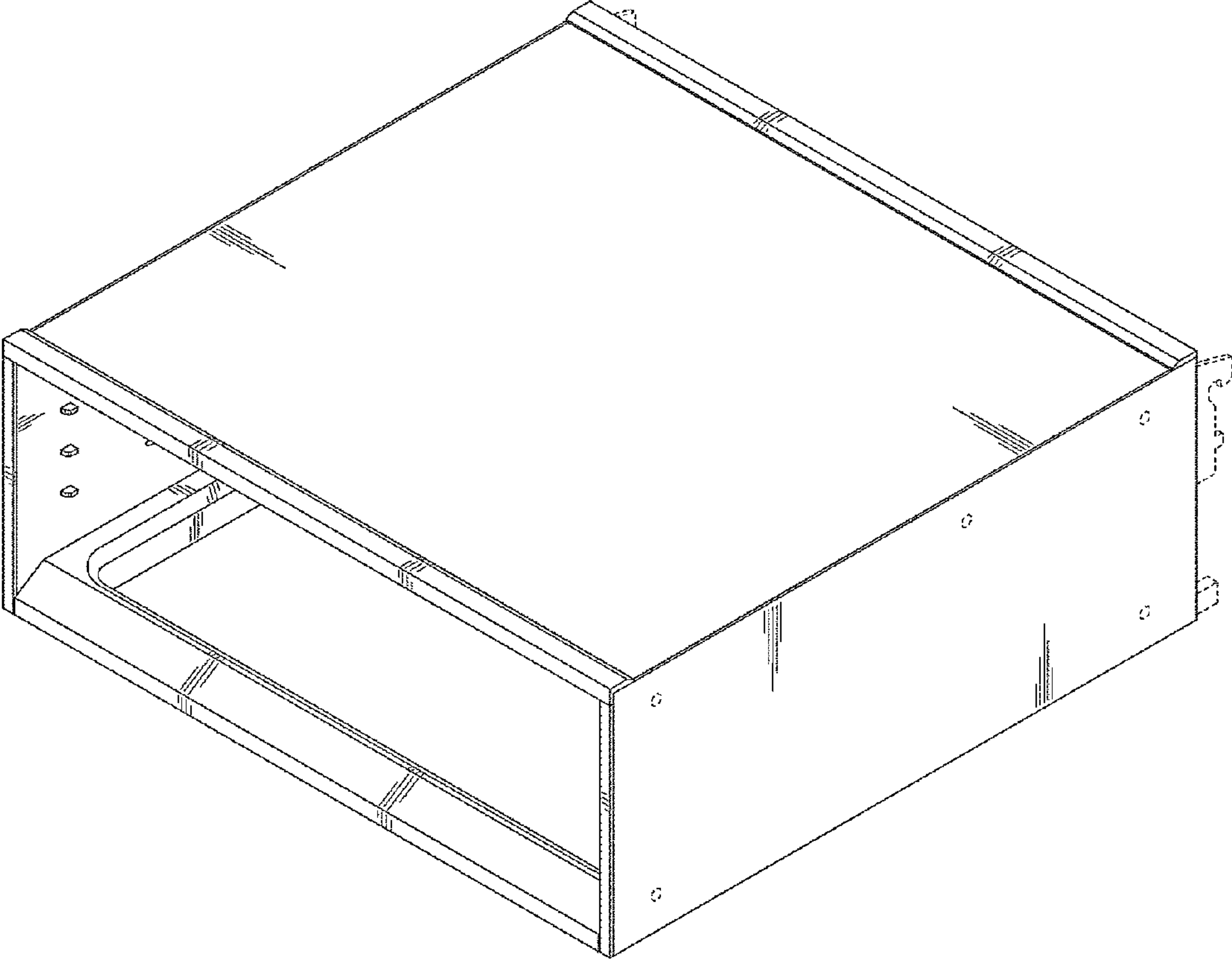


FIG. 2

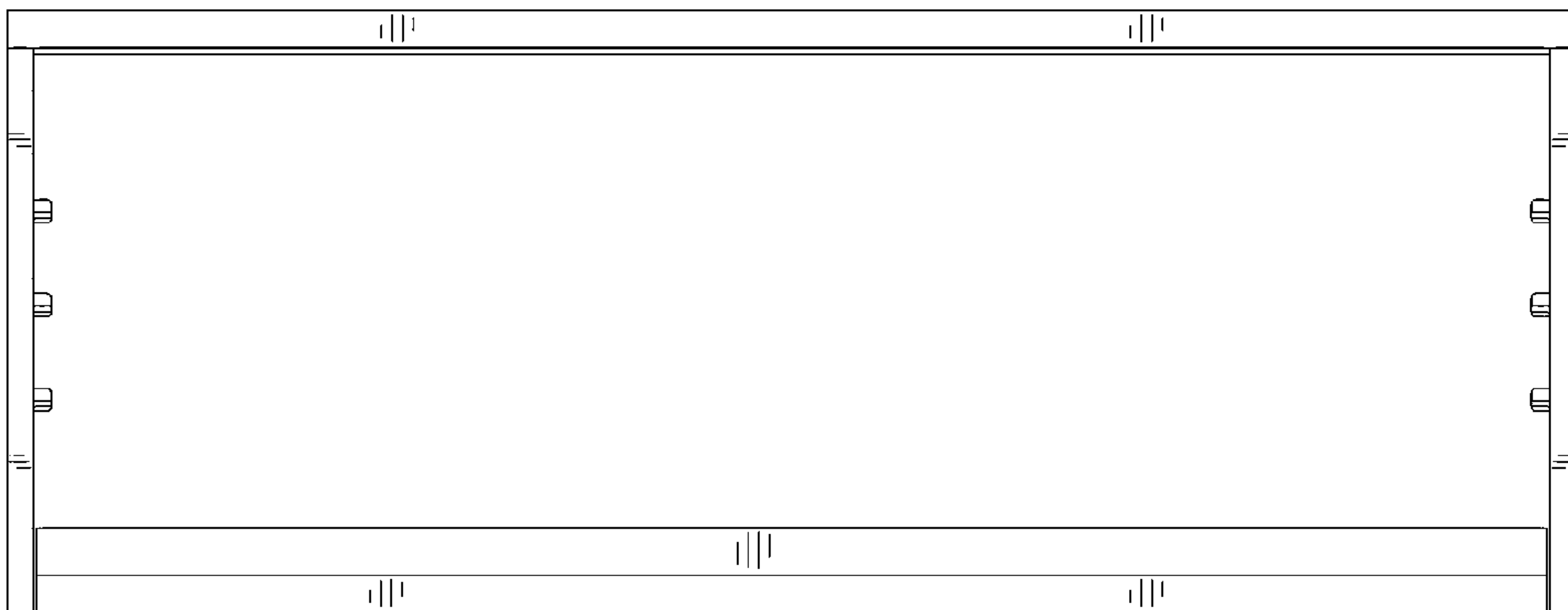
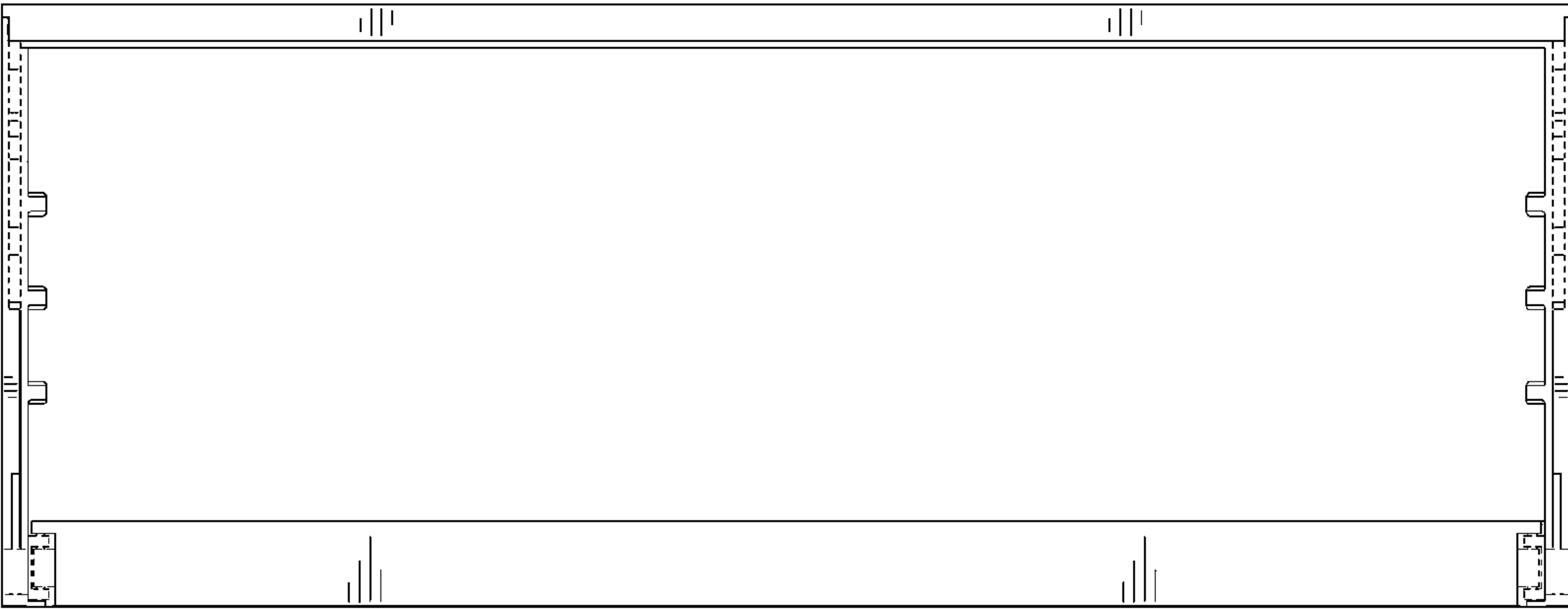


FIG. 3



**FIG. 4**

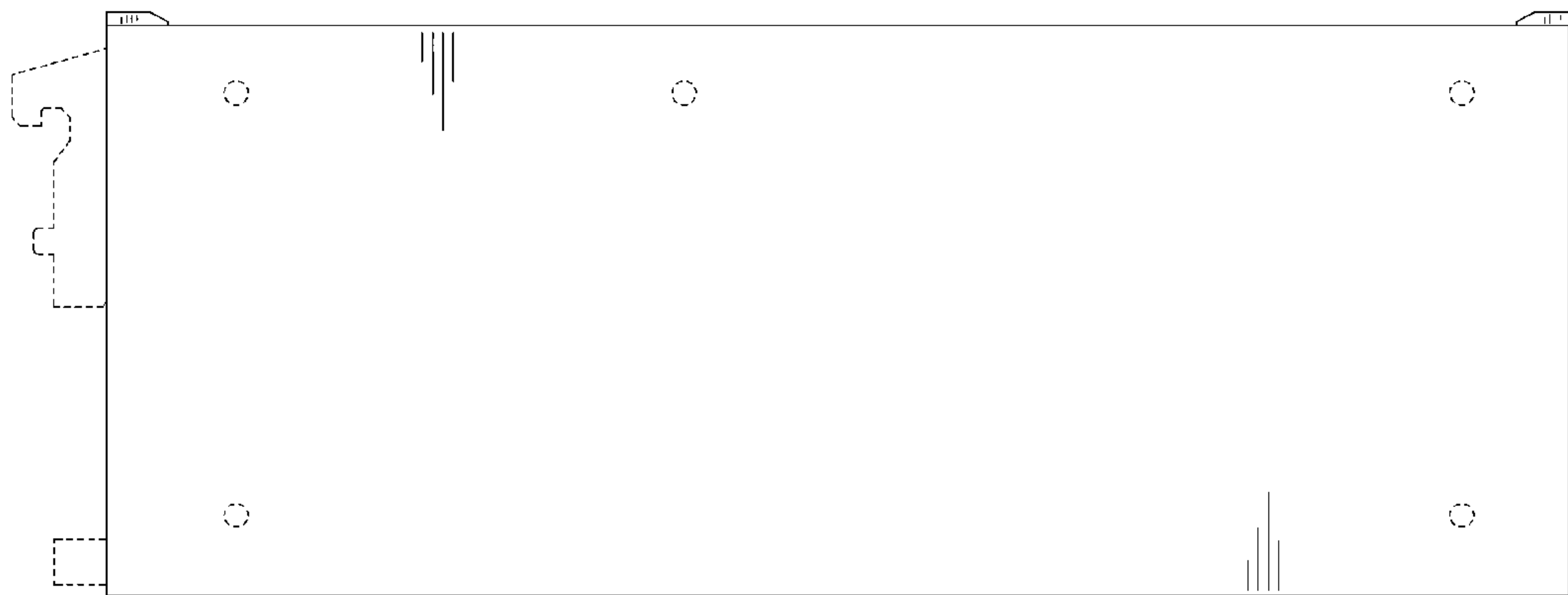


FIG. 5

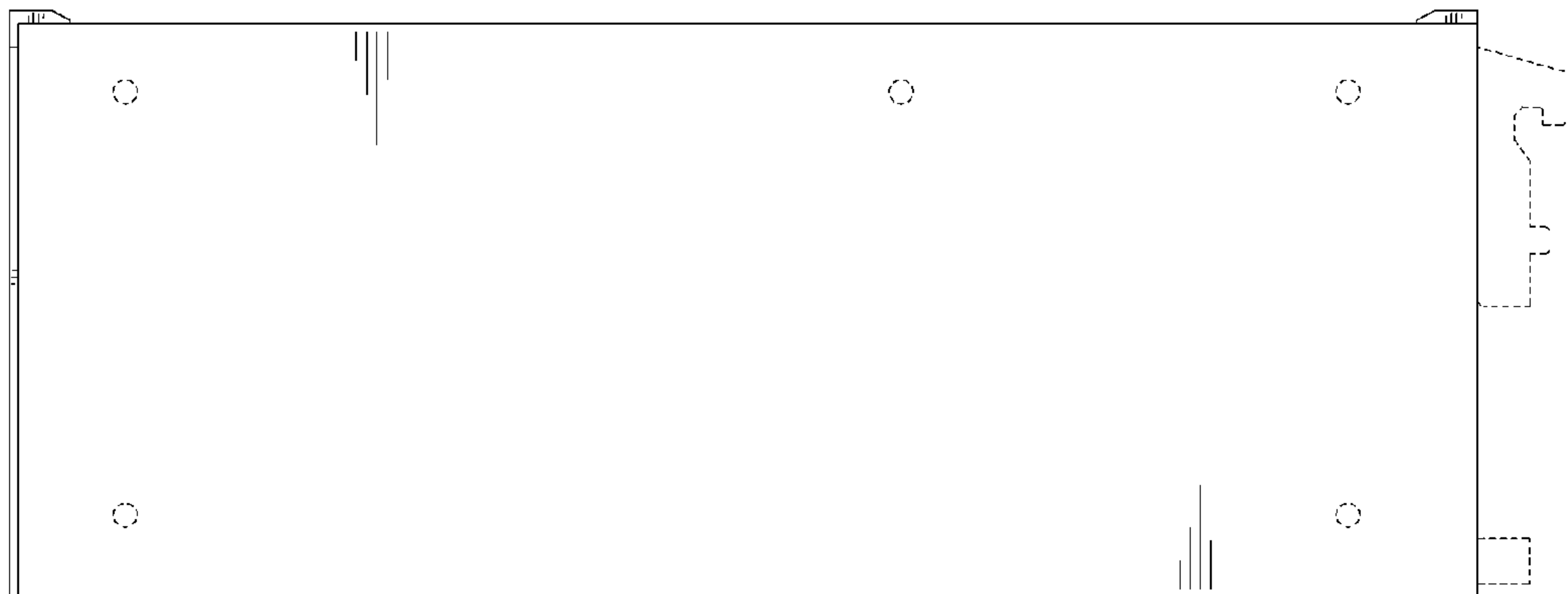


FIG. 6

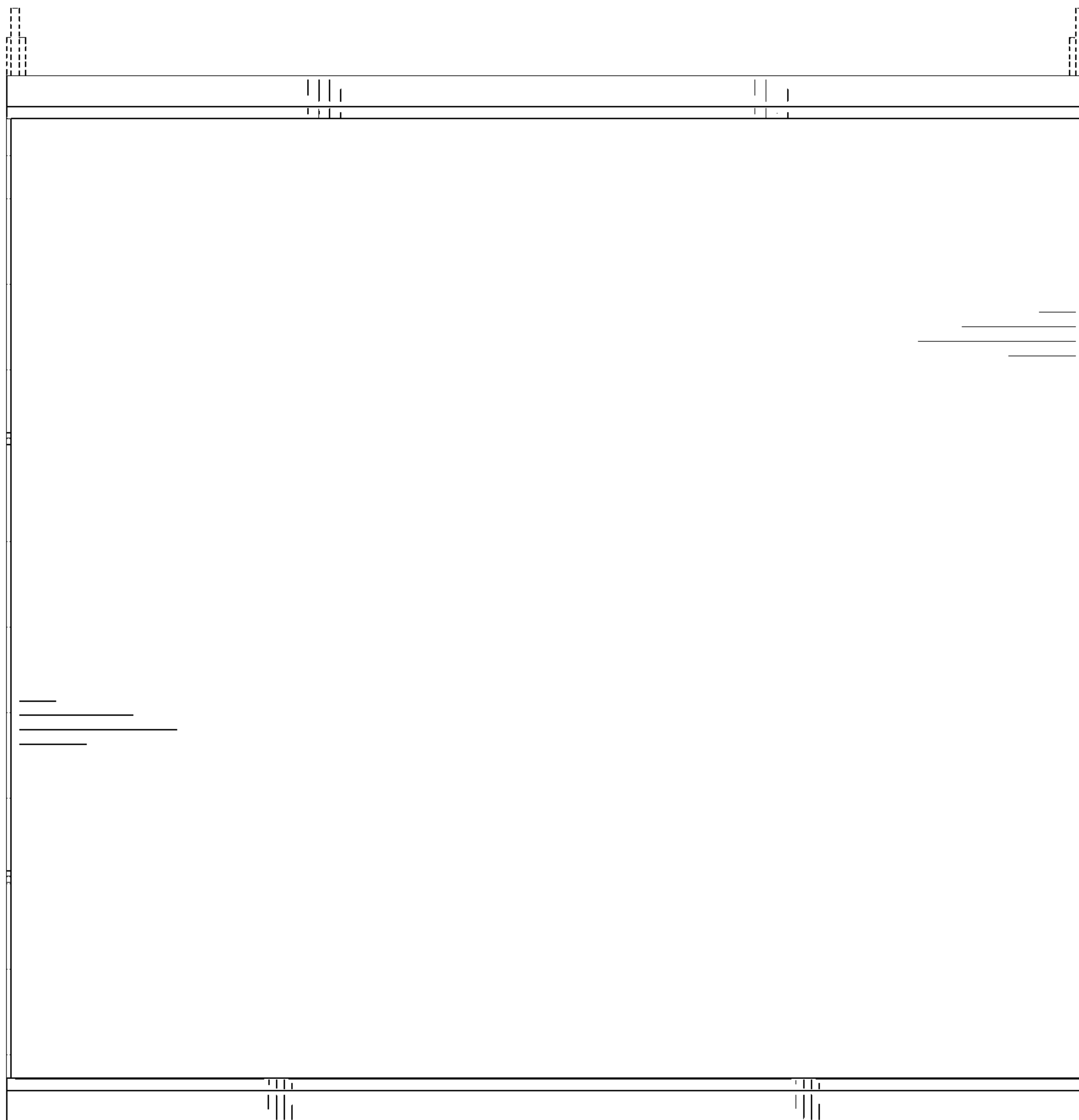
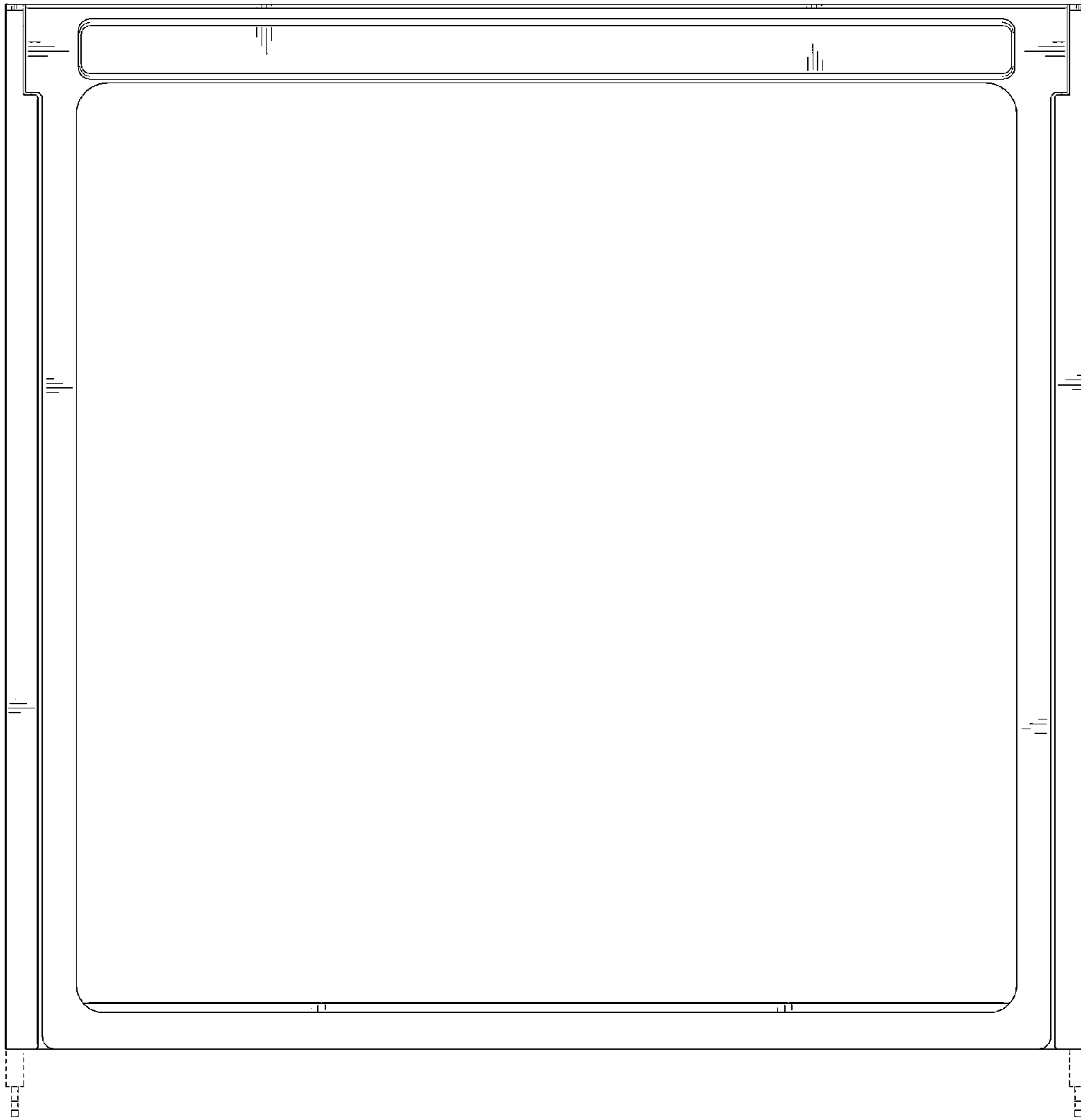


FIG. 7





**FIG. 8**

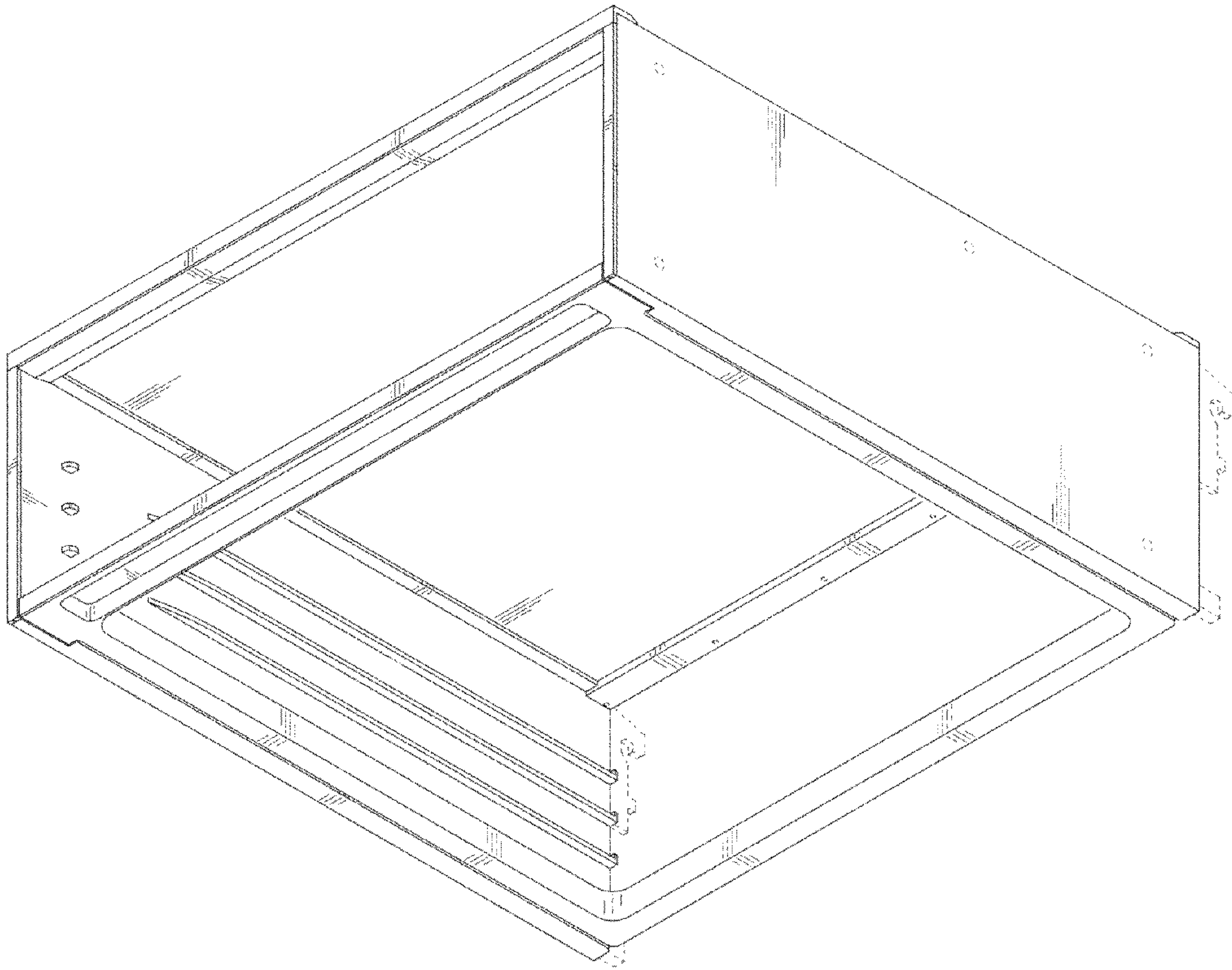


FIG. 9

