



US00D747749S

(12) **United States Design Patent**
Lee et al.

(10) **Patent No.:** **US D747,749 S**
(45) **Date of Patent:** **** Jan. 19, 2016**

(54) **DIVIDER FOR REFRIGERATOR DRAWER**

(71) Applicant: **Samsung Electronics Co., Ltd.**,
Suwon-si (KR)
(72) Inventors: **Jun Kyo Lee**, Seongnam-si (KR); **Hyun Il Lee**, Seoul (KR); **Jang Won Kim**,
Seoul (KR); **Sang Woon Jeon**,
Namyangju-si (KR)
(73) Assignee: **Samsung Electronics Co., Ltd.**,
Suwon-si (KR)

(**) Term: **14 Years**

(21) Appl. No.: **29/509,817**

(22) Filed: **Nov. 21, 2014**

(30) **Foreign Application Priority Data**

May 22, 2014 (KR) 30-2014-0025350

(51) **LOC (10) Cl.** **15-07**

(52) **U.S. Cl.**
USPC **D15/89**

(58) **Field of Classification Search**
USPC D15/79-91
CPC F25D 23/028; F25D 23/02; F25D 25/025;
F25D 23/00; F25D 2323/021; F25D 11/00;
F25D 2323/024; F25D 23/04; F25D 29/00;
F25D 25/02; F25D 25/024; F25D 27/005;
F25D 23/12; F25D 29/005; F25D 17/042;
F25D 2325/021; F25D 2323/02
See application file for complete search history.

(56) **References Cited**

U.S. PATENT DOCUMENTS

D692,931 S *	11/2013	Roberson	D15/89
D709,108 S *	7/2014	Lee	D15/89
D709,533 S *	7/2014	Park	D15/89
D719,194 S *	12/2014	Lee	D15/89
D731,562 S *	6/2015	You	D15/89
D737,344 S *	8/2015	Lee	D15/89

* cited by examiner

Primary Examiner — Daniel Bui

Assistant Examiner — Khawaja Anwar

(74) *Attorney, Agent, or Firm* — NSIP Law

(57) **CLAIM**

We claim the ornamental design for a divider for refrigerator drawer, as shown and described.

DESCRIPTION

FIG. 1 is a front perspective view of a divider for refrigerator drawer showing our new design; FIG. 2 is a front view thereof; FIG. 3 is a rear view thereof; FIG. 4 is a left-side view thereof; FIG. 5 is a right-side view thereof; FIG. 6 is a top view thereof; FIG. 7 is a bottom view thereof; and, FIG. 8 is another perspective view thereof, in use condition. The broken line showing of the refrigerator drawer in FIG. 8 is for environmental purposes only and forms no part of the claimed design.

1 Claim, 5 Drawing Sheets

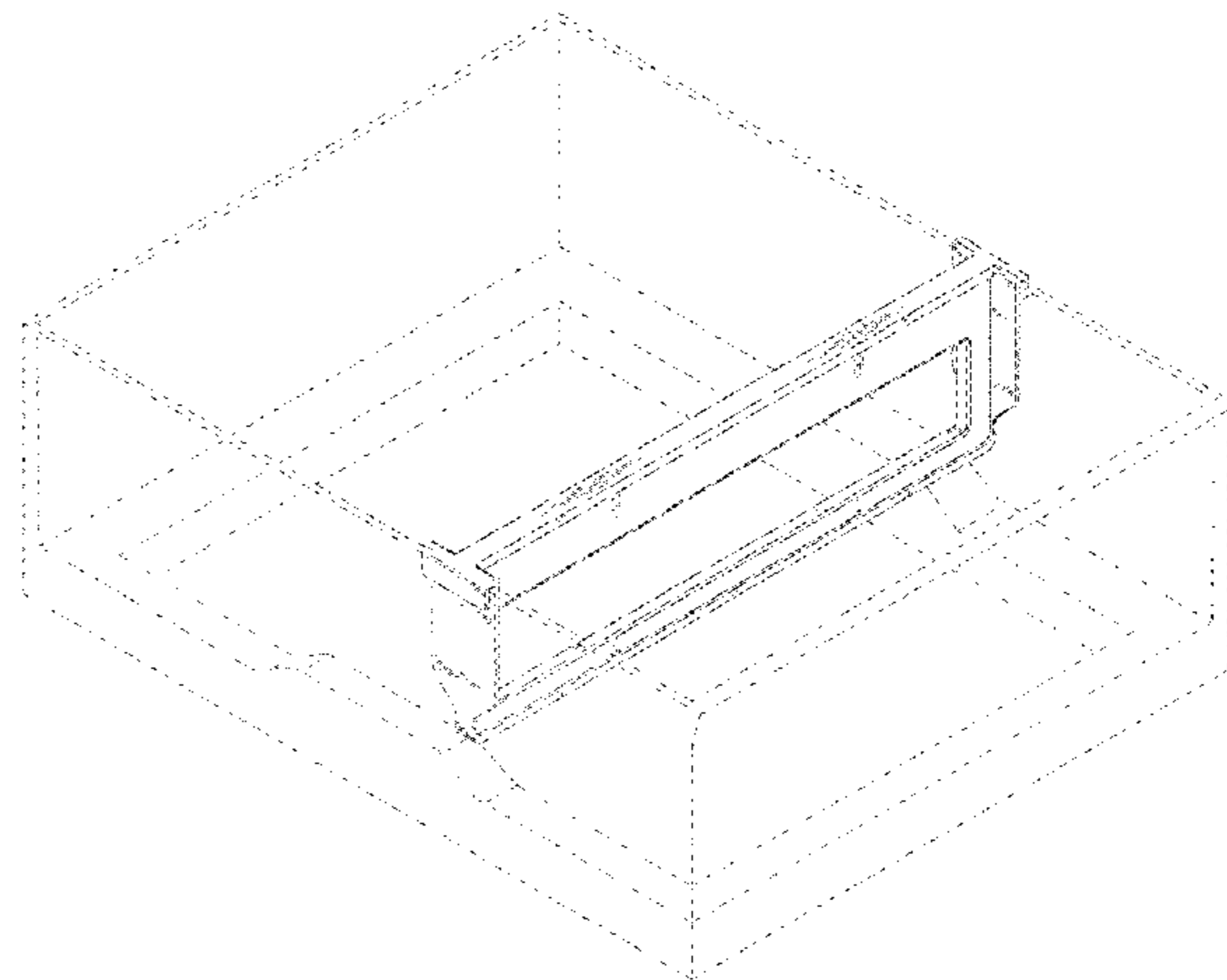
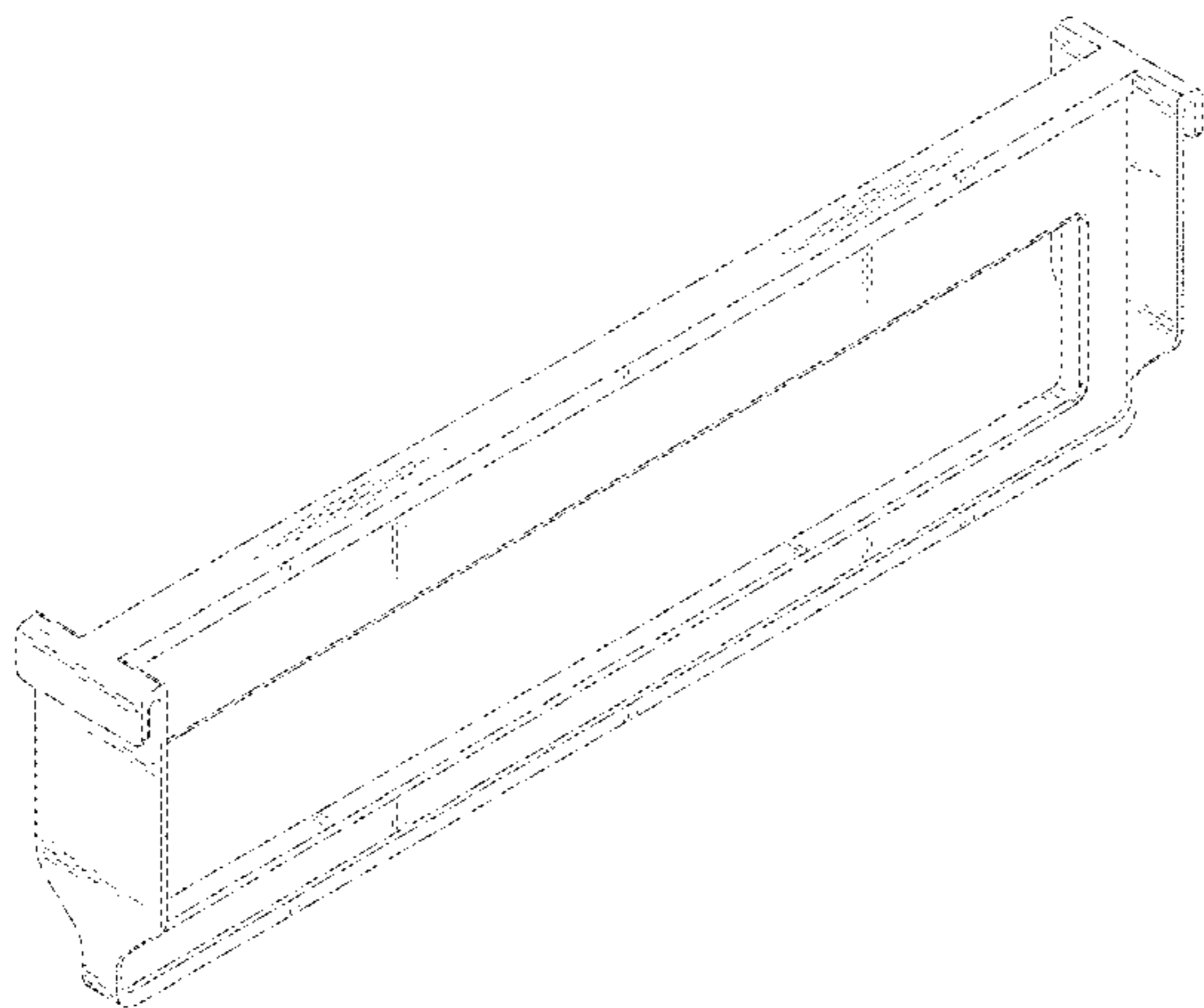


Fig. 1

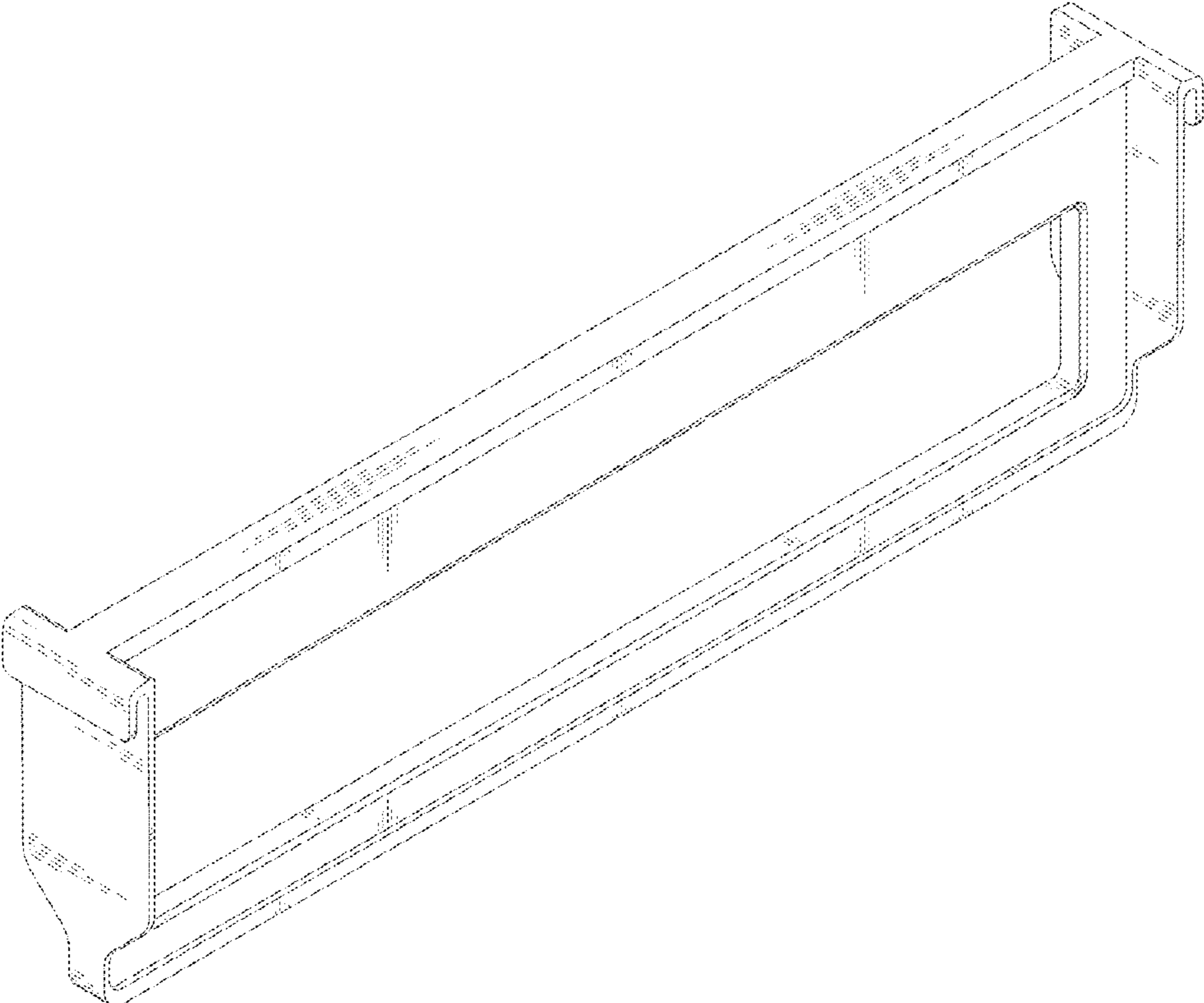


Fig. 2

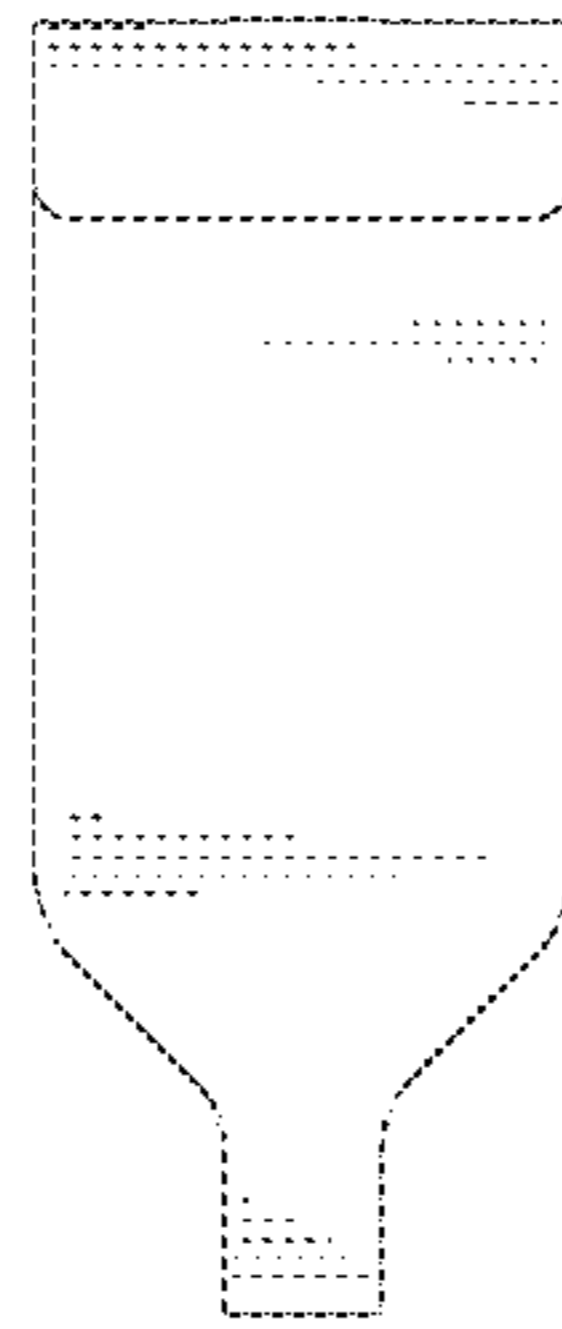


Fig. 3

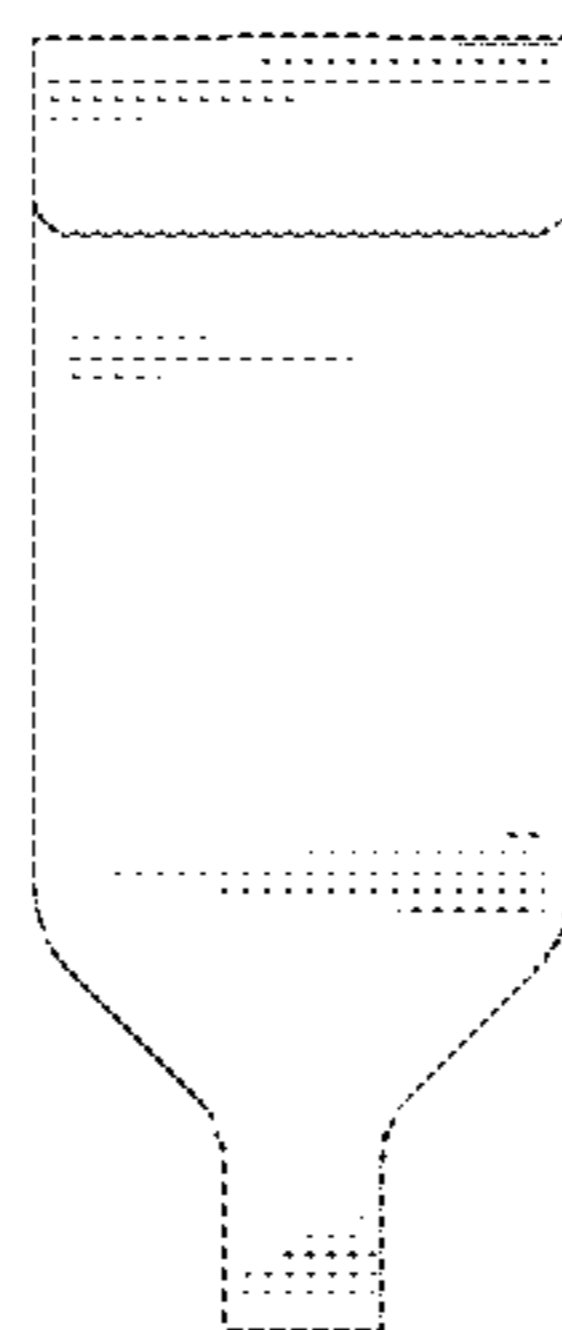


Fig. 4

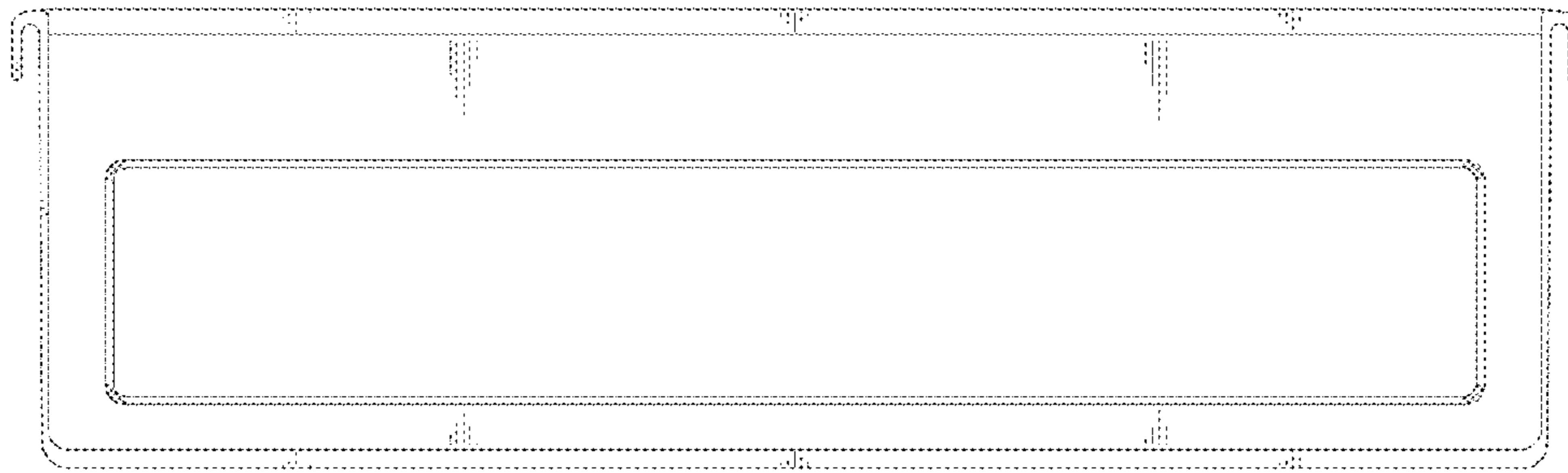


Fig. 5

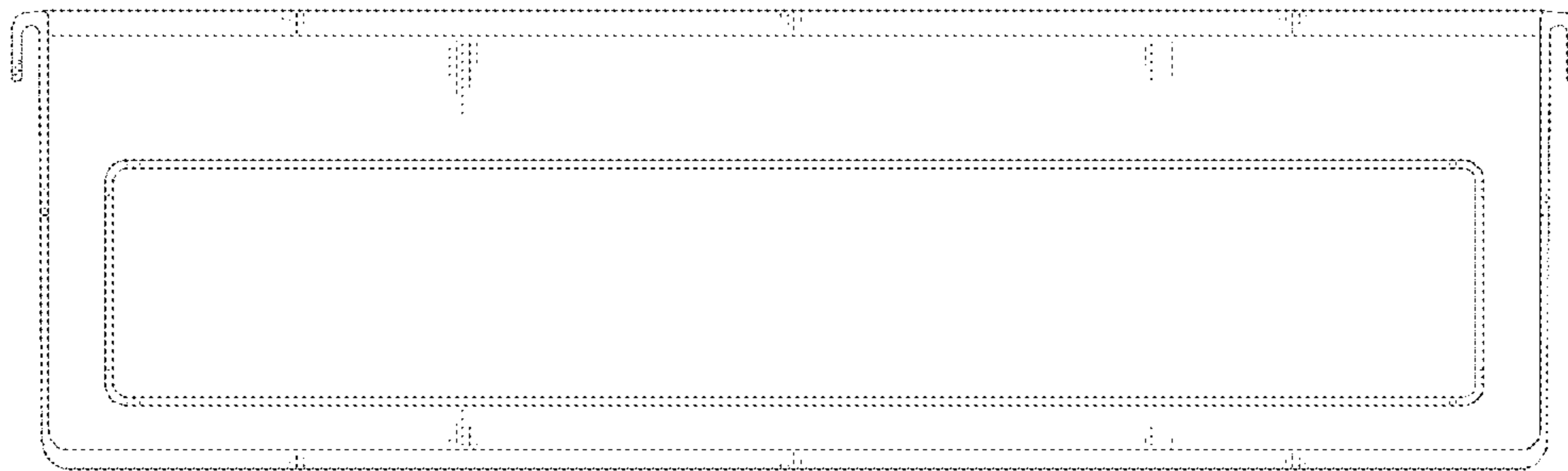


Fig. 6

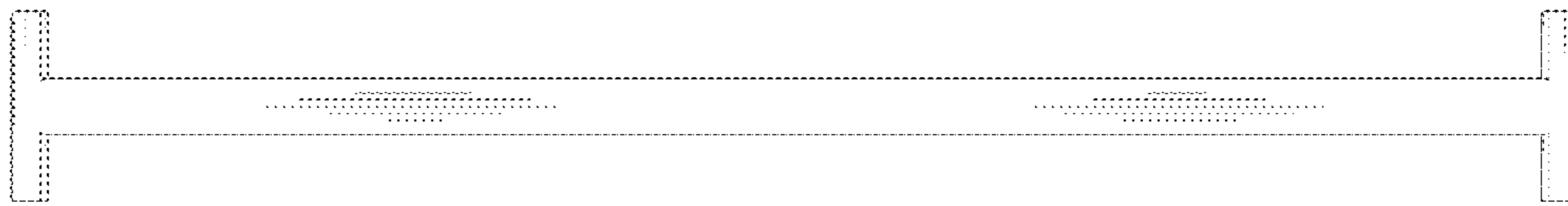


Fig. 7

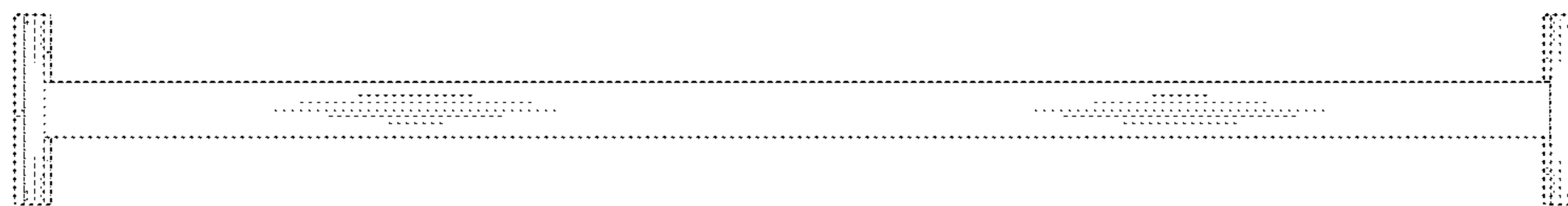


Fig. 8

