



US00D747748S

(12) **United States Design Patent**
Ballowe

(10) **Patent No.:** **US D747,748 S**
(45) **Date of Patent:** **** Jan. 19, 2016**

(54) **BRUSH FORKS**

(71) Applicant: **Larry Ballowe**, Hawkins, TX (US)

(72) Inventor: **Larry Ballowe**, Hawkins, TX (US)

(**) Term: **14 Years**

(21) Appl. No.: **29/507,354**

(22) Filed: **Oct. 27, 2014**

(51) **LOC (10) Cl.** **15-03**

(52) **U.S. Cl.**
USPC **D15/32**

(58) **Field of Classification Search**
USPC D15/10, 11, 22-28, 32
CPC E02F 3/8152; E02F 3/36; E02F 3/401;
E02F 9/2883; E02F 5/32
See application file for complete search history.

(56) **References Cited**

U.S. PATENT DOCUMENTS

D141,948	S	*	8/1945	Michaels	D15/32
4,125,952	A	*	11/1978	Jennings	37/405
D275,679	S	*	9/1984	Bradshaw	D15/28
D292,136	S	*	9/1987	Burenga	D34/35
5,079,864	A	*	1/1992	Roy	37/302
5,413,181	A	*	5/1995	Keigley	172/253
D361,772	S	*	8/1995	Hulsey	D15/32
5,515,625	A	*	5/1996	Keigley	37/405
5,544,435	A	*	8/1996	Somero	37/405
5,595,471	A	*	1/1997	Ajilore	414/685

5,599,158	A	*	2/1997	Ajilore	414/685
D406,153	S	*	2/1999	Holzer et al.	D15/32
D478,599	S	*	8/2003	Zaayman et al.	D15/32
6,990,760	B1	*	1/2006	Zaayman et al.	37/446
D623,671	S	*	9/2010	Bolyard	D15/32
D631,490	S	*	1/2011	Drager et al.	D15/32
D678,361	S	*	3/2013	Attwood et al.	D15/32
D705,273	S	*	5/2014	Furuki et al.	D15/25
D708,232	S	*	7/2014	Furuki et al.	D15/23
2001/0005950	A1	*	7/2001	Renski et al.	37/444
2005/0172525	A1	*	8/2005	Kostyak	37/449
2008/0201995	A1	*	8/2008	Browder	37/450

* cited by examiner

Primary Examiner — Mitchell Siegel

(57) **CLAIM**

The ornamental design for a brush fork, as shown and described.

DESCRIPTION

FIG. 1 is a perspective view of the brush forks shown attached to a loader bucket. The broken line showing of the loader bucket is for illustrative purposes only and forms no part of the claimed design;

FIG. 2 is a perspective view of the brush forks;

FIG. 3 is a front elevational view thereof;

FIG. 4 is a back elevational view thereof;

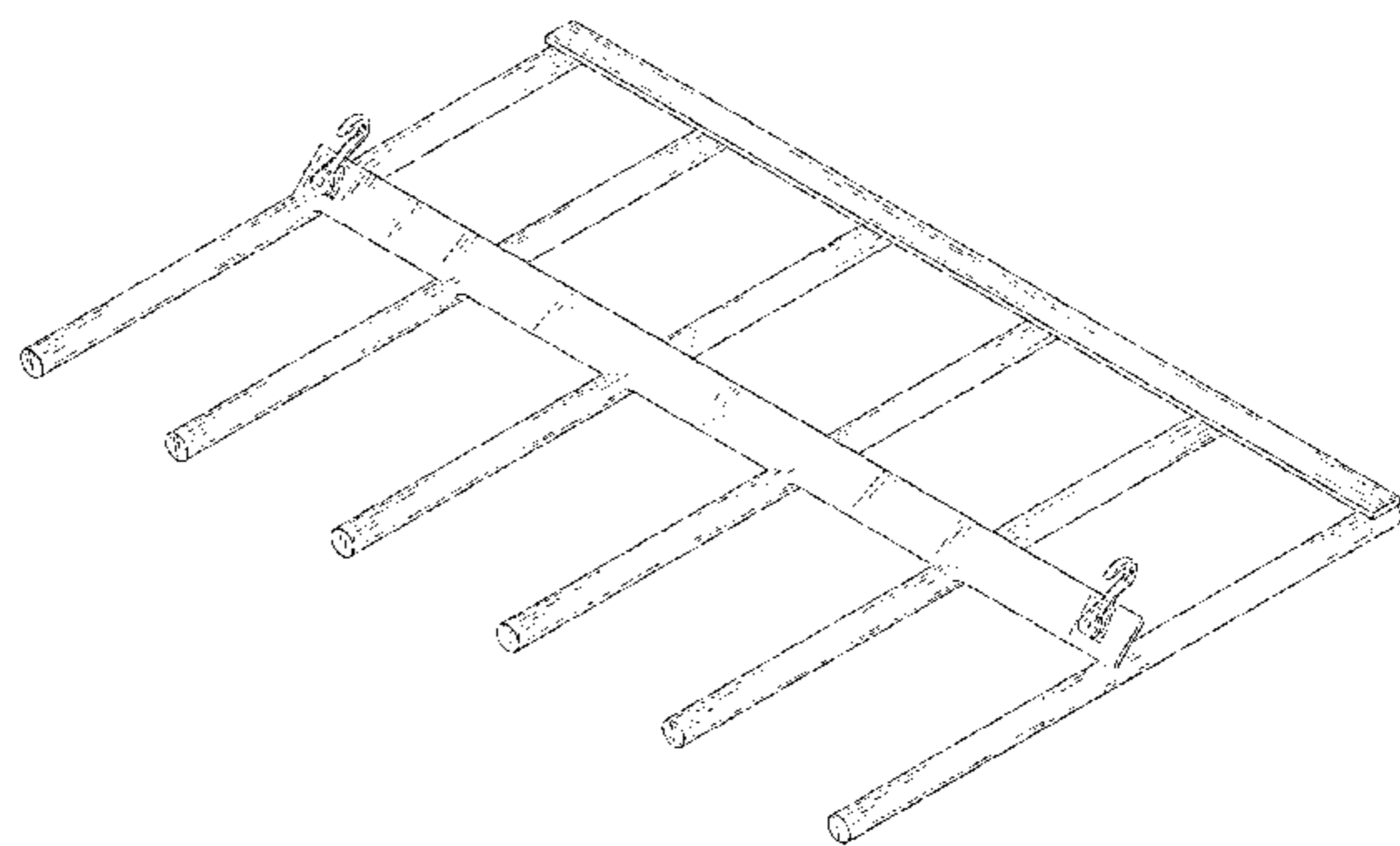
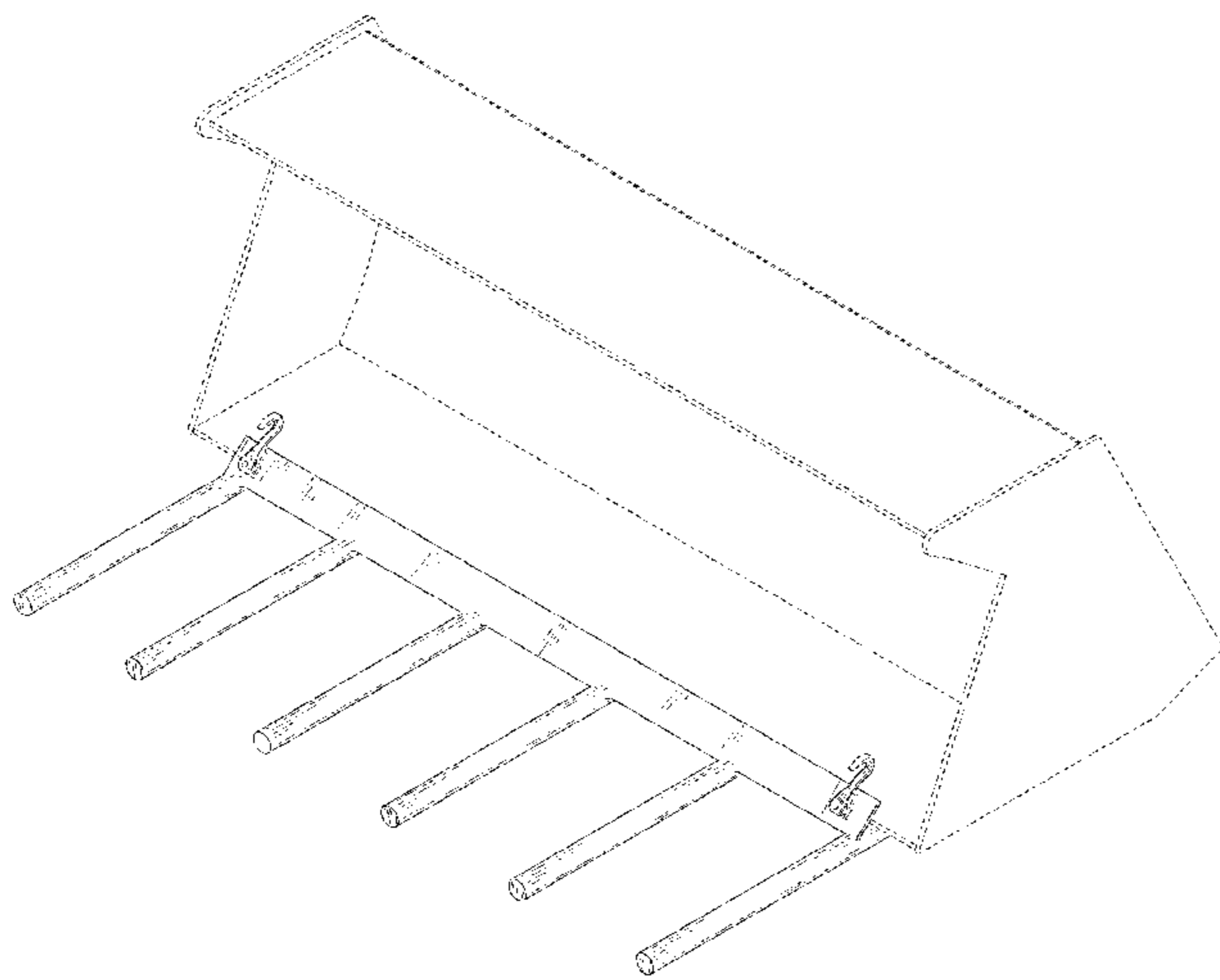
FIG. 5 is a left side elevational view thereof;

FIG. 6 is a right side elevational view thereof;

FIG. 7 is a top plan view thereof; and,

FIG. 8 is a bottom plan view thereof.

1 Claim, 8 Drawing Sheets



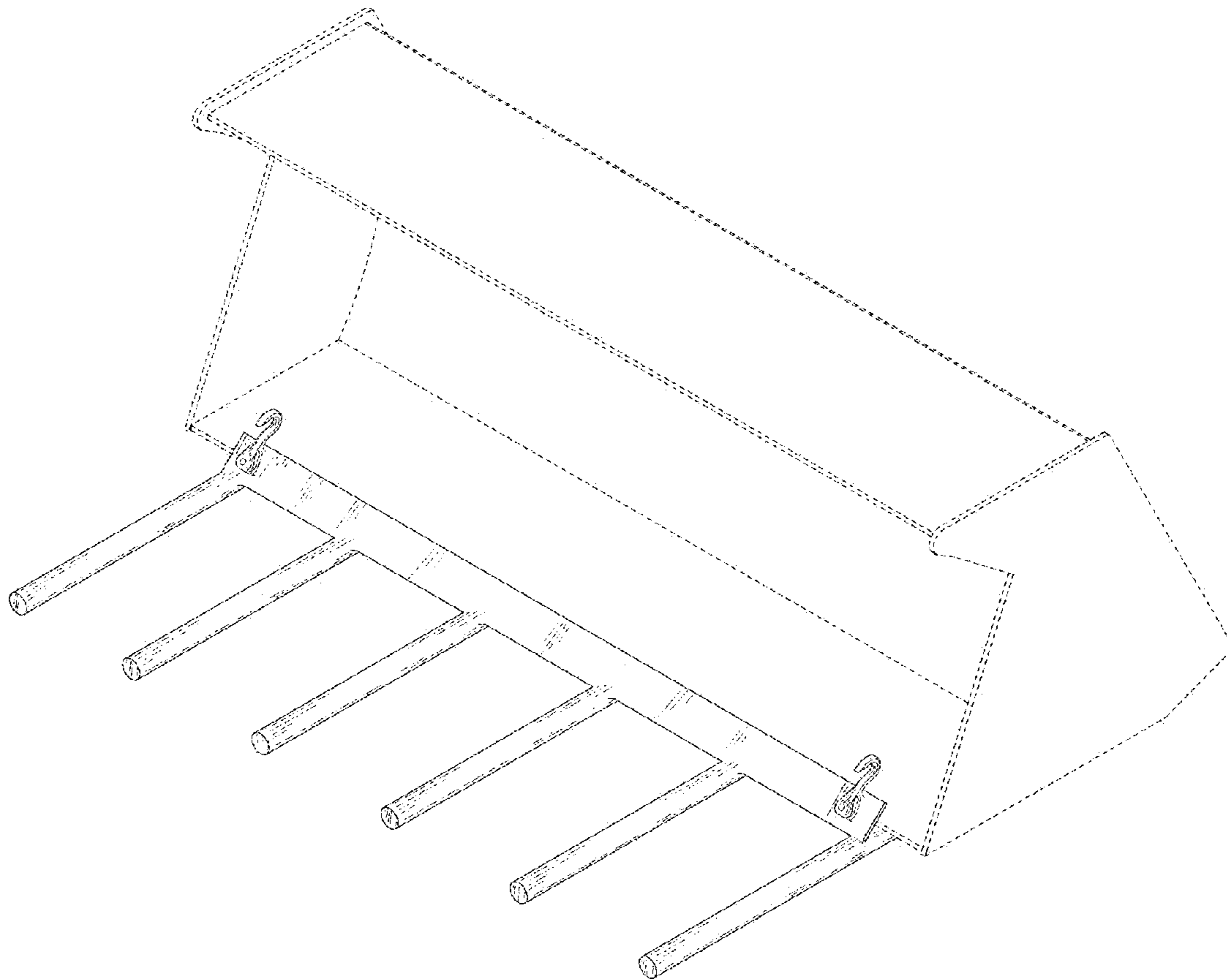


FIG. 1

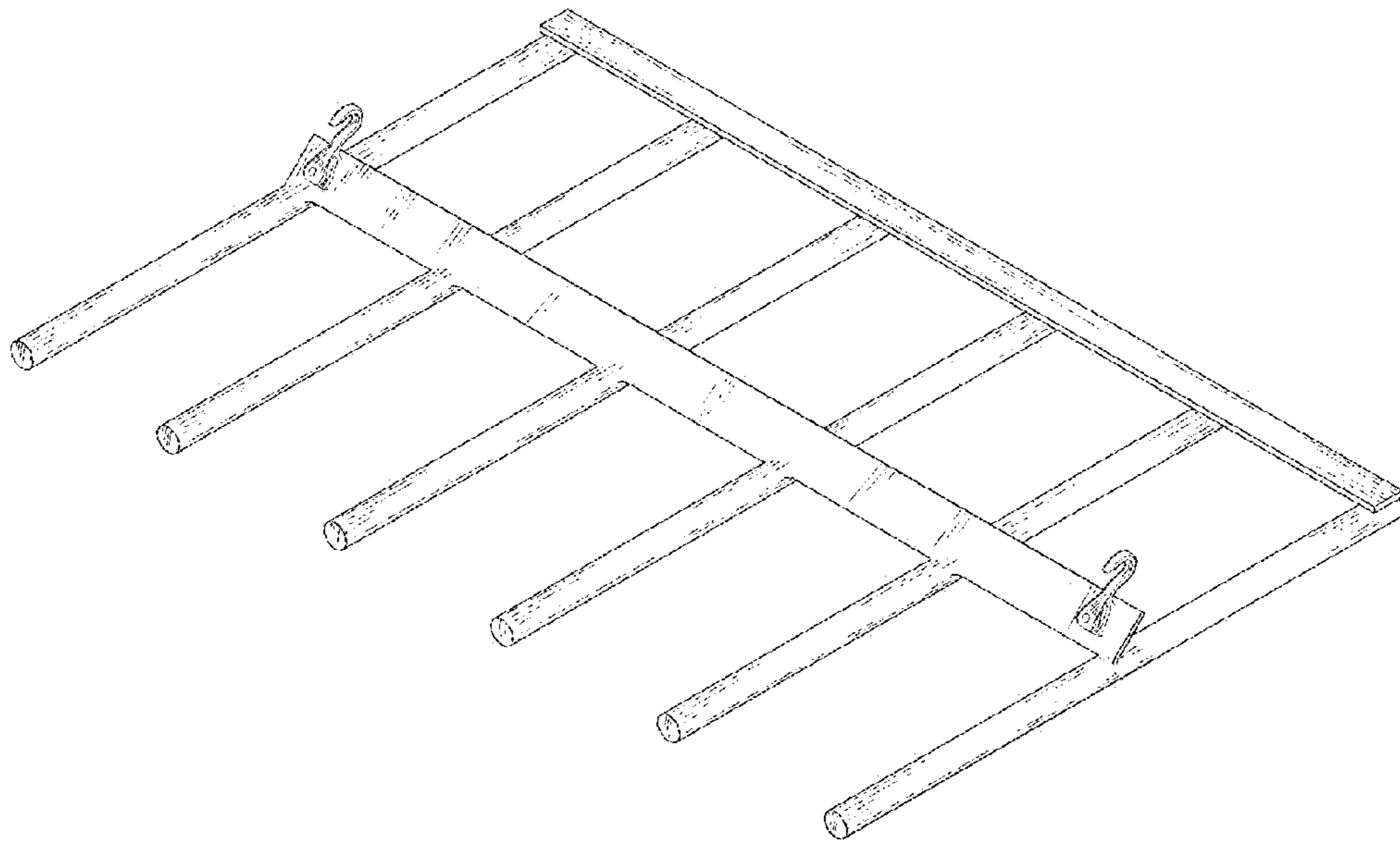


FIG. 2

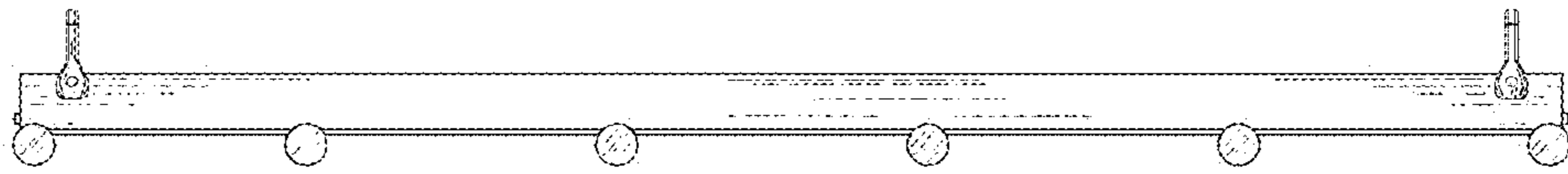


FIG. 3

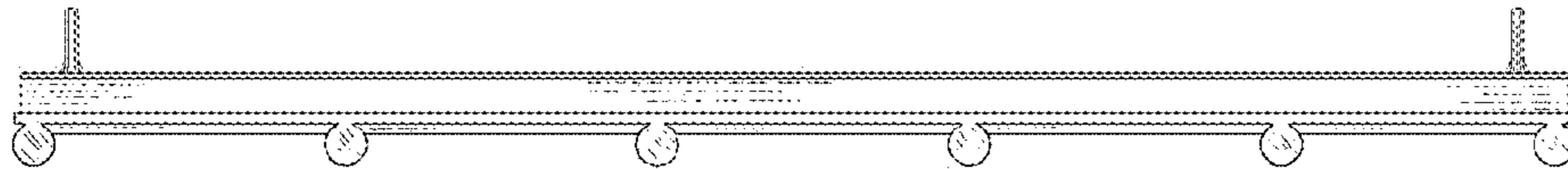


FIG. 4

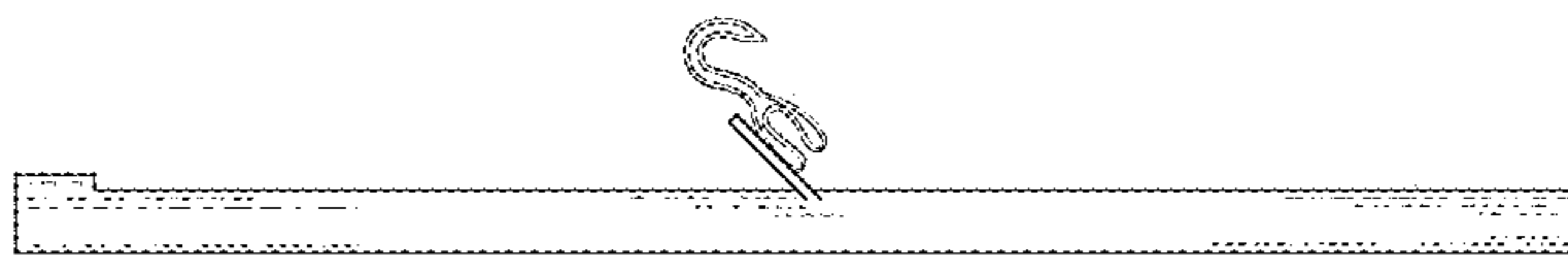


FIG. 5

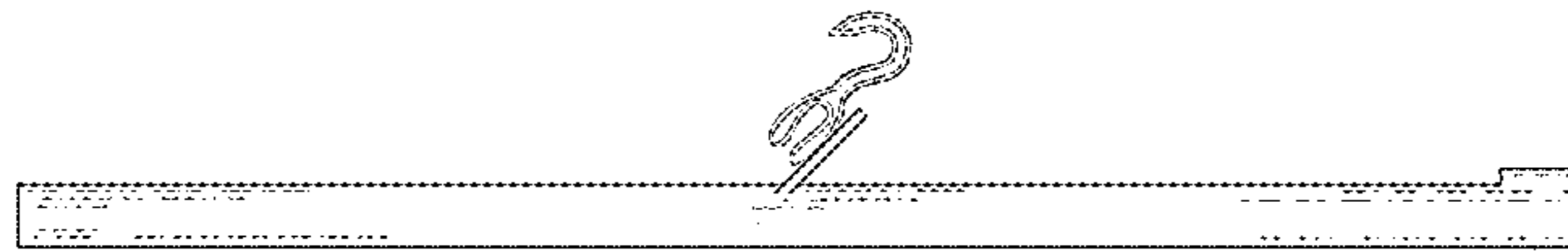


FIG. 6

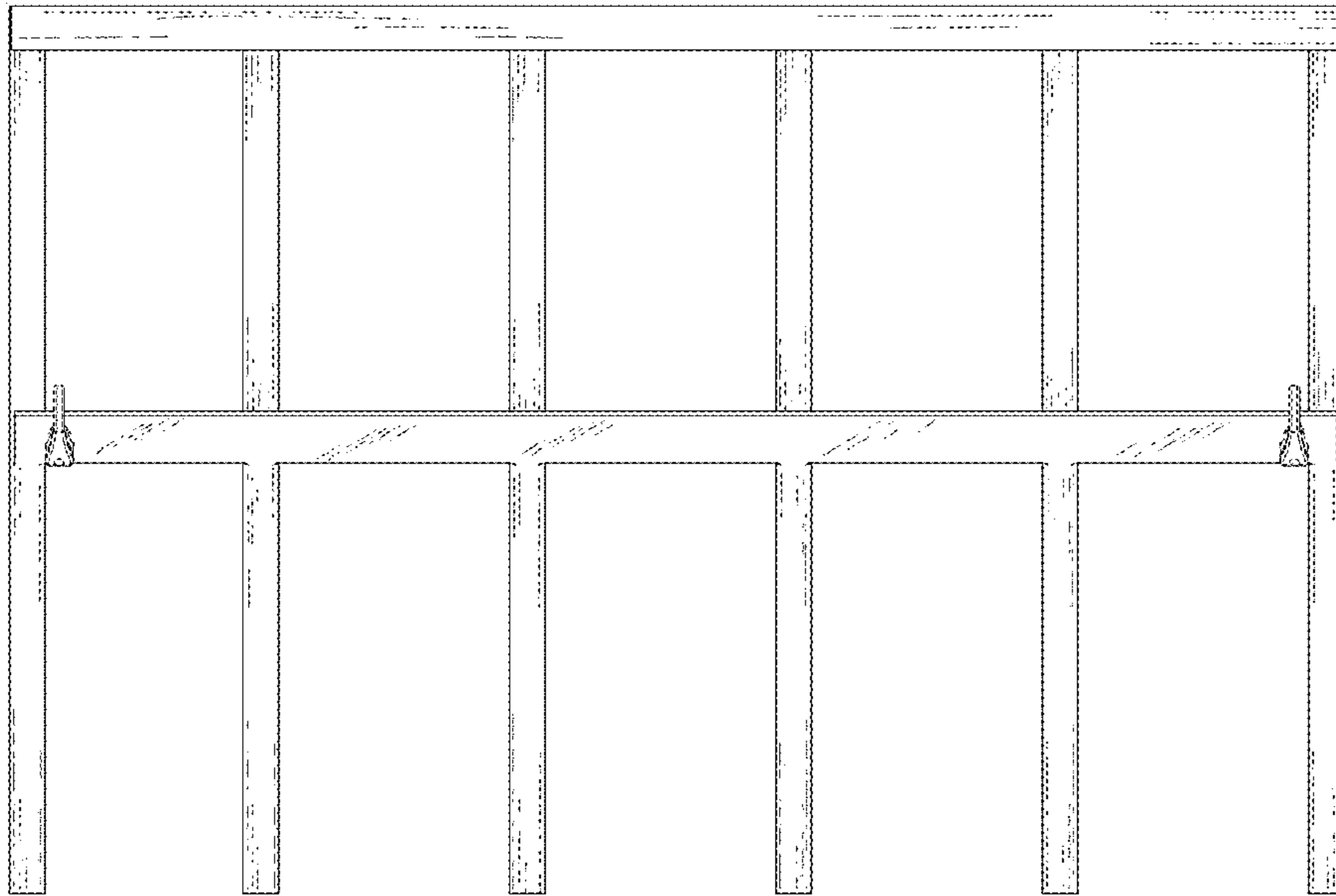


FIG. 7

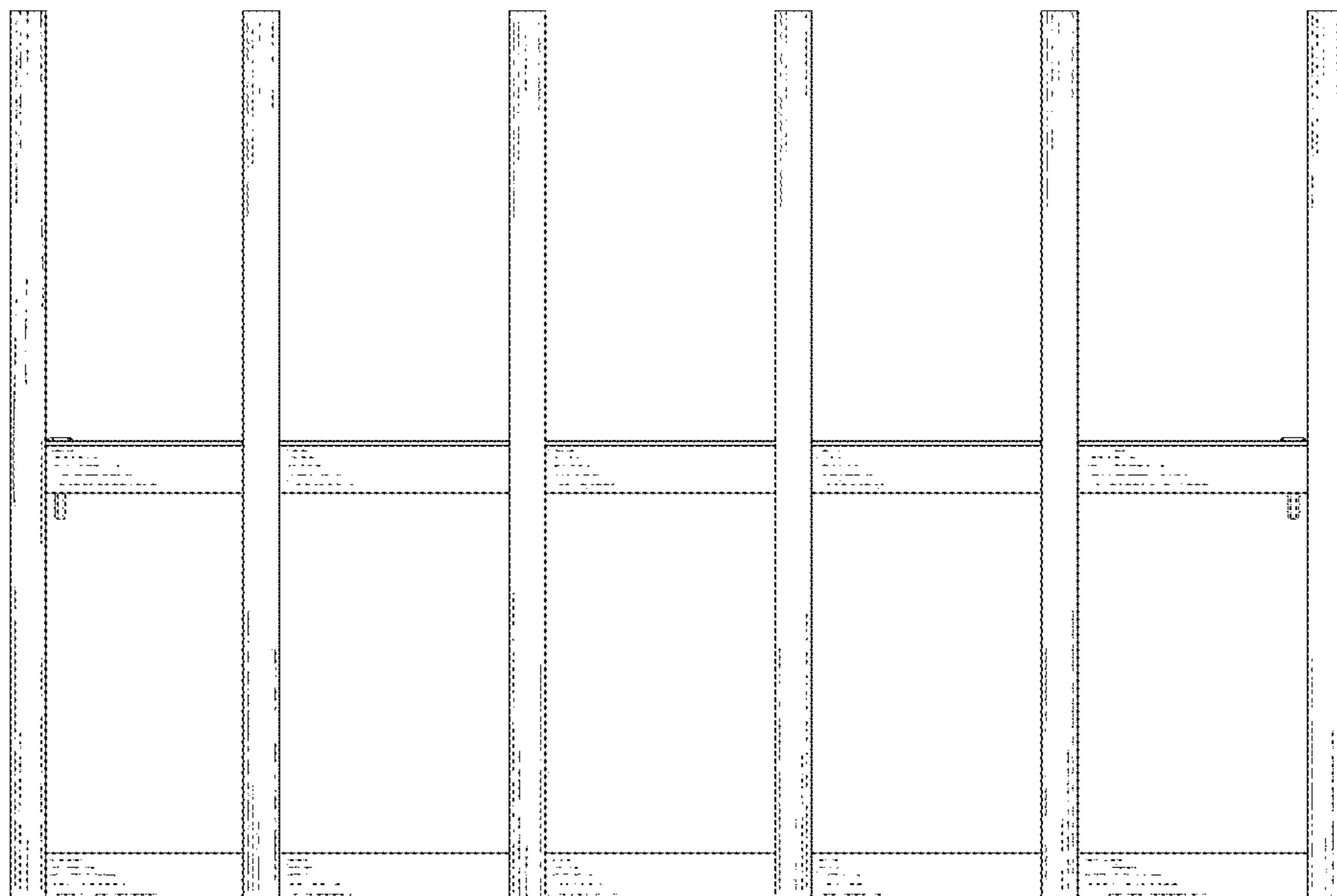


FIG. 8