



US00D747747S

(12) **United States Design Patent**
Turner et al.

(10) **Patent No.:** **US D747,747 S**
(45) **Date of Patent:** **** Jan. 19, 2016**

(54) **WHEELED LOADING SHOVEL VEHICLE**

(56) **References Cited**

(71) Applicant: **J.C. BAMFORD EXCAVATORS LIMITED**, Uttoxeter (GB)
(72) Inventors: **Mike Turner**, Uttoxeter (GB); **Toby Mellor**, Uttoxeter (GB); **Duncan Macmillan**, Uttoxeter (GB); **Luke Tracey**, Uttoxeter (GB); **Neil Hyde**, Uttoxeter (GB); **Andy Gaskin**, Uttoxeter (GB); **Laurie Pay**, Uttoxeter (GB); **Mark Prince**, Uttoxeter (GB); **Jason Burgess**, Uttoxeter (GB); **Simon Davies**, Uttoxeter (GB); **Stuart Jones**, Uttoxeter (GB); **Juan Carlos Ramires**, Uttoxeter (GB); **John Boughton**, Uttoxeter (GB); **Damian Underwood**, Uttoxeter (GB)
(73) Assignee: **J.C. BAMFORD EXCAVATORS LIMITED**, Uttoxeter (GB)

U.S. PATENT DOCUMENTS

D326,858 S *	6/1992	Skeel et al.	D15/25
D364,408 S *	11/1995	Bryant et al.	D15/25
D405,807 S *	2/1999	Amy et al.	D15/25
D410,930 S *	6/1999	Kim et al.	D15/25
D540,352 S *	4/2007	Sato et al.	D15/25
D549,738 S *	8/2007	Hiraoka et al.	D15/25
D590,846 S *	4/2009	Kinsinger et al.	D15/25
D636,000 S *	4/2011	Kim et al.	D15/25
D652,061 S *	1/2012	Hiraoka et al.	D15/23
D652,062 S *	1/2012	Hiraoka et al.	D15/23
D693,853 S *	11/2013	Hiraoka et al.	D15/23
D708,232 S *	7/2014	Furuki et al.	D15/23

* cited by examiner

Primary Examiner — Mark Goodwin
(74) *Attorney, Agent, or Firm* — Marshall, Gerstein & Borun LLP

(57) **CLAIM**

The ornamental design for a wheeled loading shovel vehicle, as shown and described.

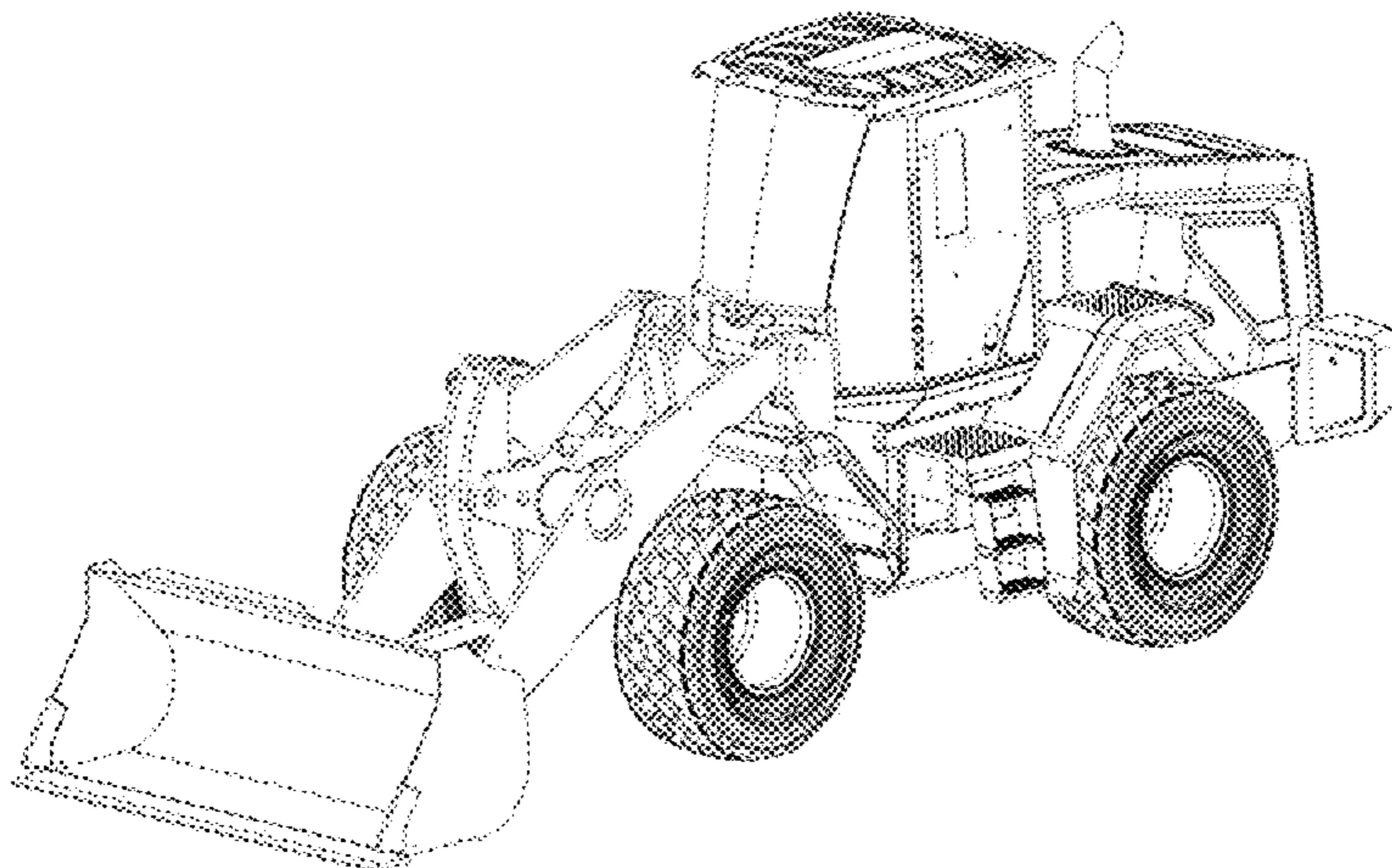
DESCRIPTION

FIG. 1 is a front, right side, and top view of a wheeled loading shovel vehicle that has the design.
FIG. 2 is a top plan view of the wheeled loading shovel vehicle.
FIG. 3 is a right side elevation view of the wheeled loading shovel vehicle.
FIG. 4 is a front elevation view.
FIG. 5 is a rear elevation view.
FIG. 6 is a left side elevation view.
FIG. 7 is a bottom plan view.
FIG. 8 is a back, left side, and top view.
FIG. 9 is a front, left side, and top view; and,
FIG. 10 is a back, right side, and top view.
The broken lines depict trademarks and portions of the undercarriage of the wheeled loading shovel vehicle that form no part of the claimed design.

(**) Term: **14 Years**
(21) Appl. No.: **29/496,158**
(22) Filed: **Jul. 10, 2014**

(30) **Foreign Application Priority Data**
Jan. 10, 2014 (EM) 001399273
(51) **LOC (10) Cl.** **12-09**
(52) **U.S. Cl.**
USPC **D15/25**
(58) **Field of Classification Search**
USPC D15/10, 22-26, 33; D21/431; 37/403, 37/409, 442, 443; 180/89.1, 89.12, 89.13; 296/190.03; 414/685, 694, 722, 724
CPC ... F02D 11/105; F02D 41/10; F02D 41/2422; F02D 2200/702; E02F 9/2066
See application file for complete search history.

1 Claim, 9 Drawing Sheets



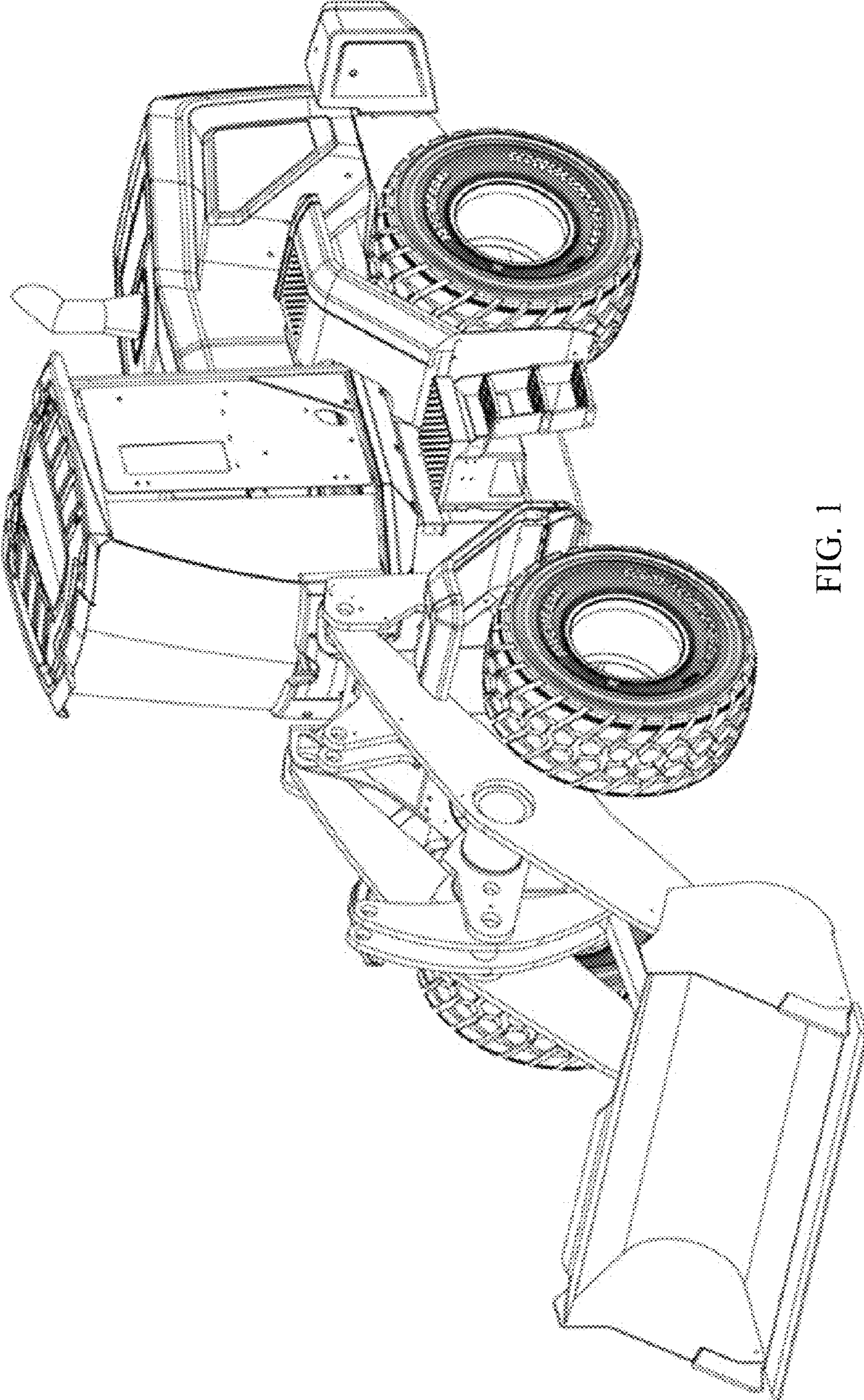


FIG. 1

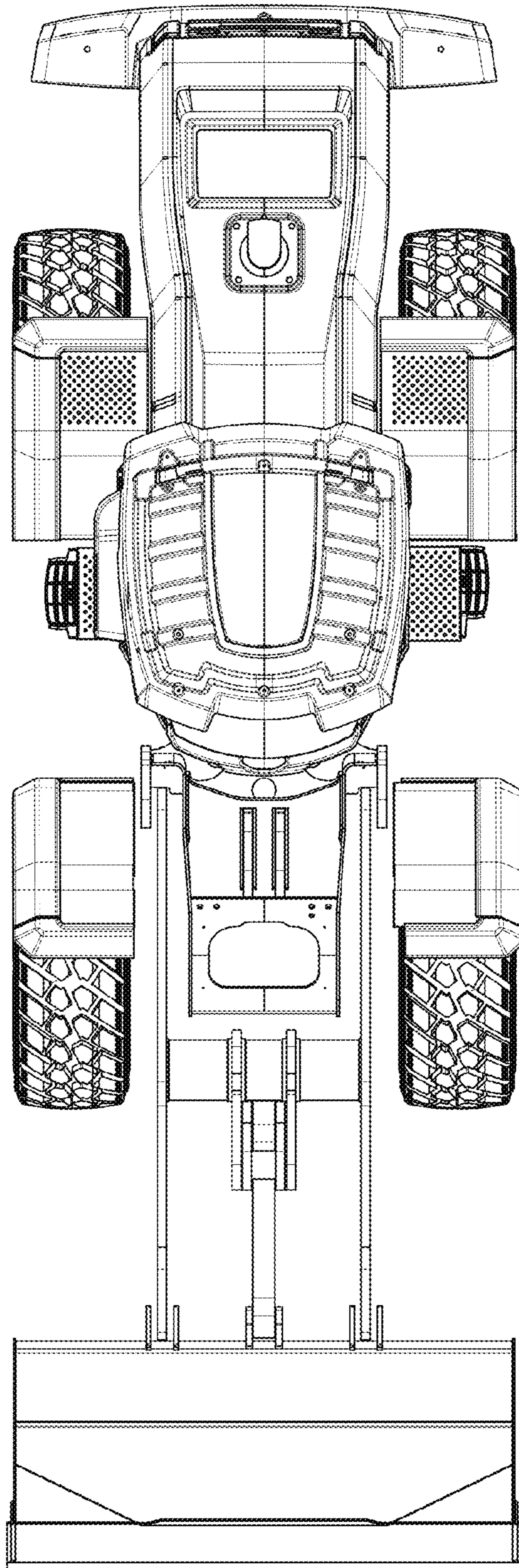


FIG. 2

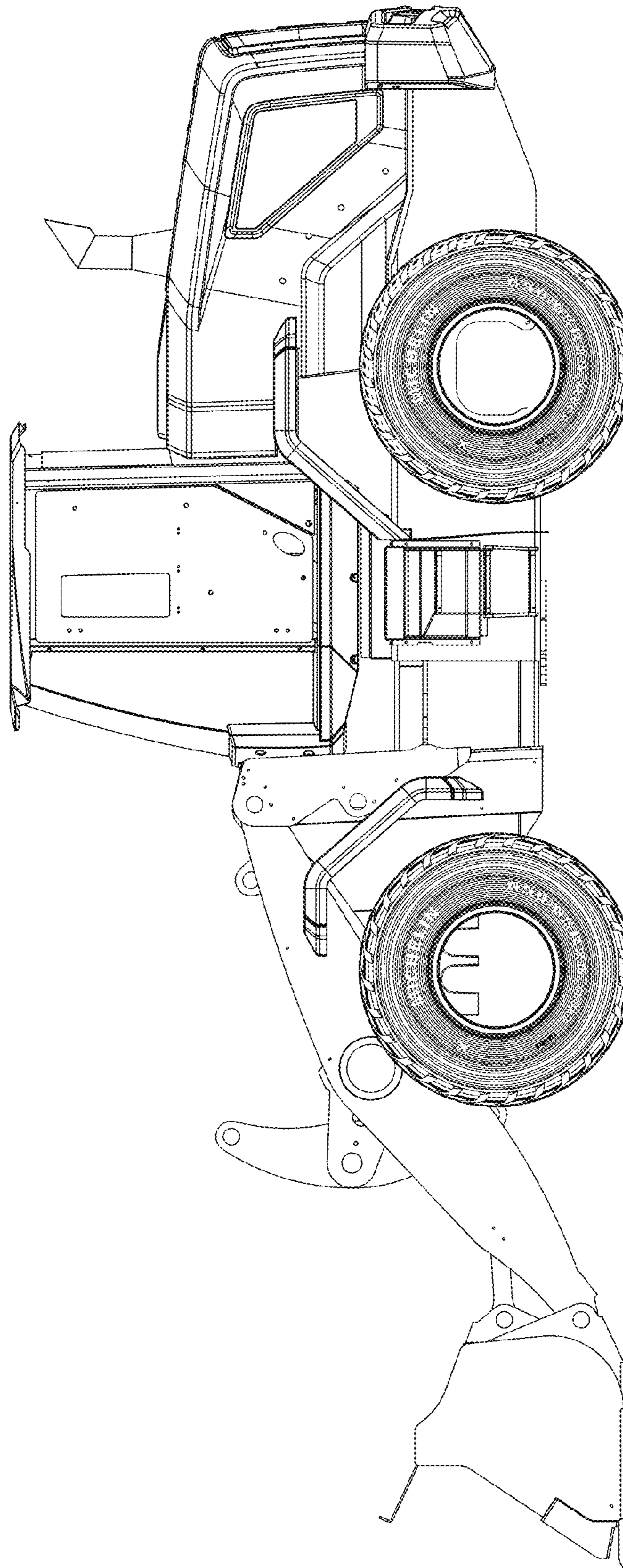


FIG. 3

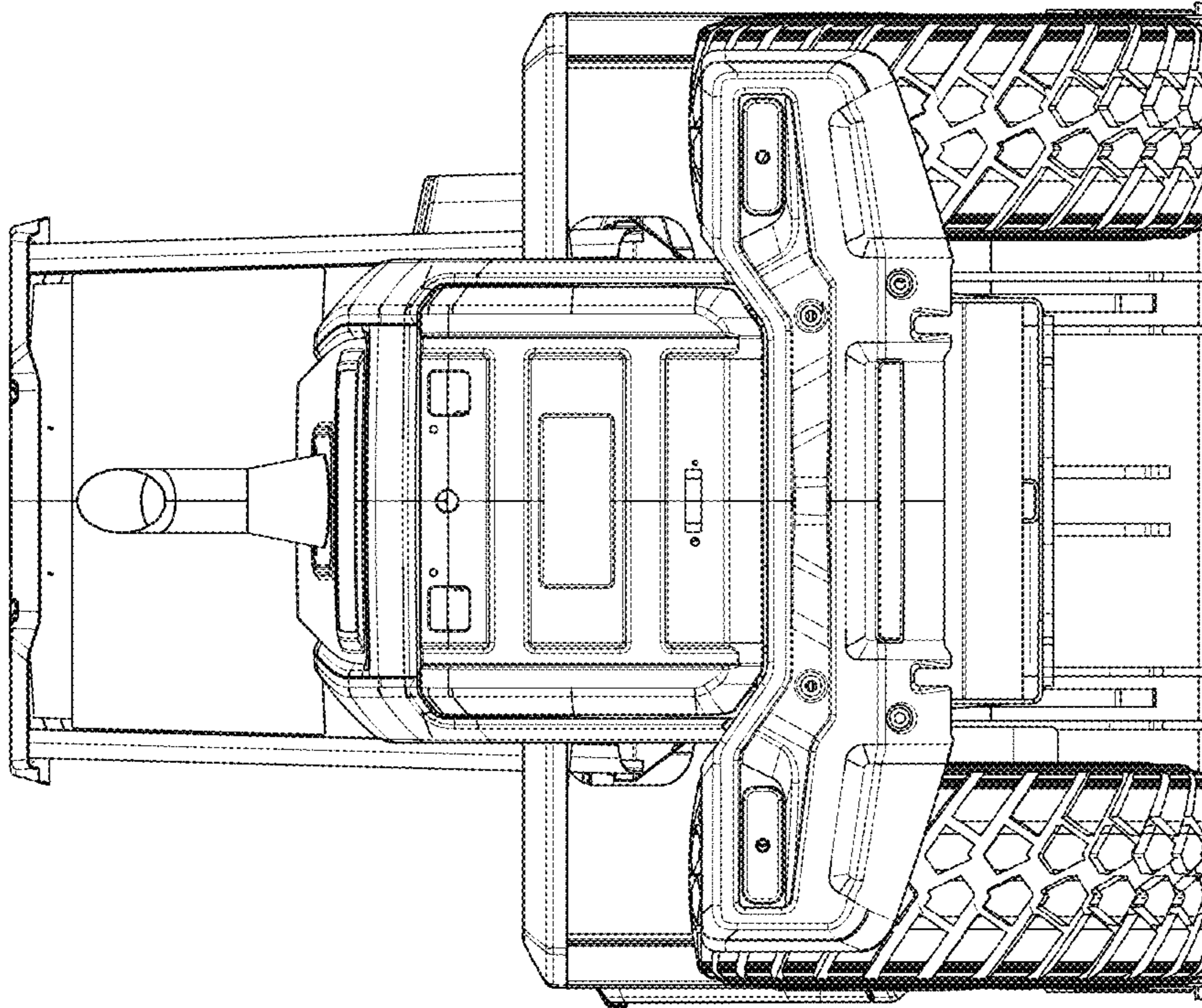


FIG. 5

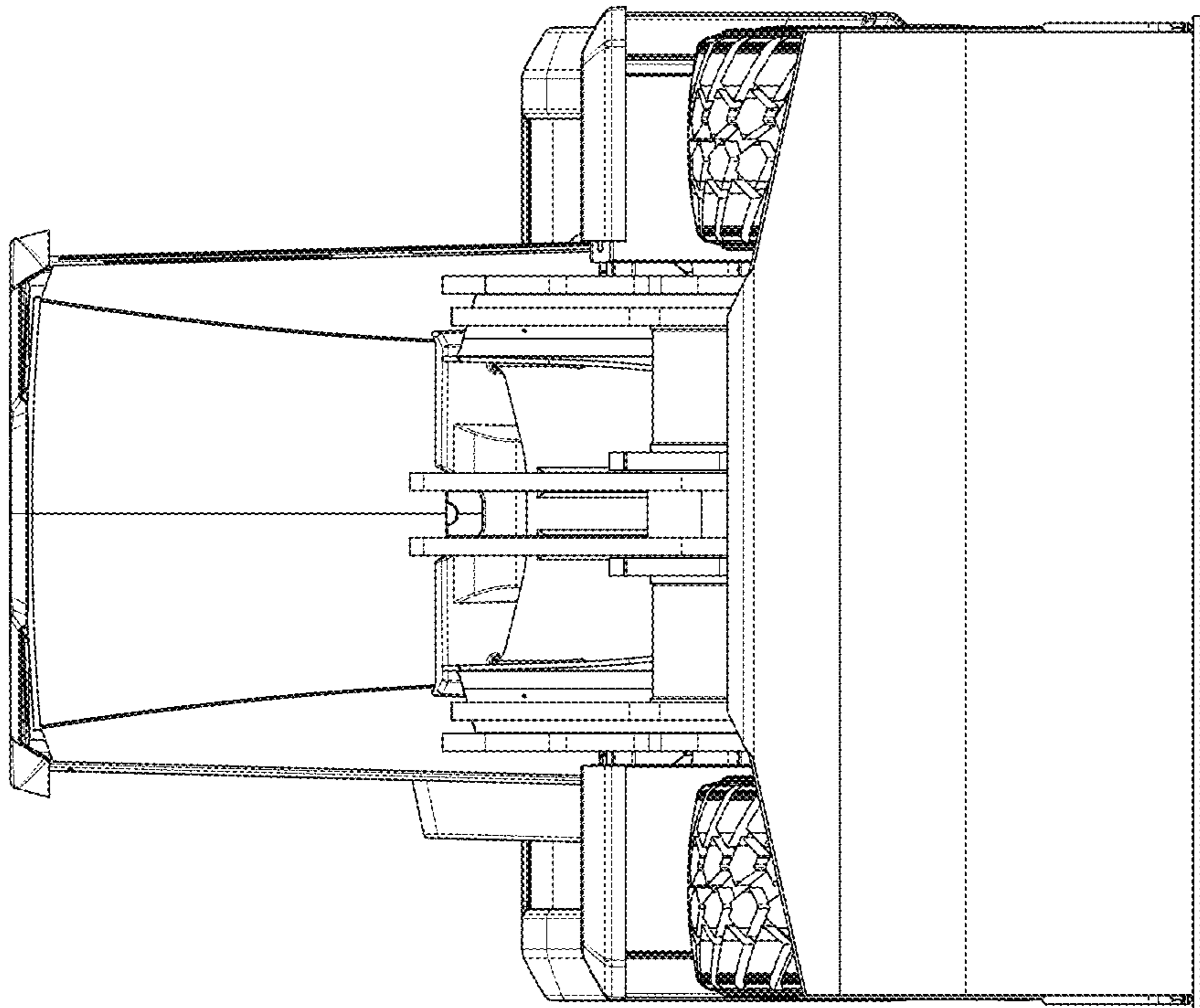


FIG. 4

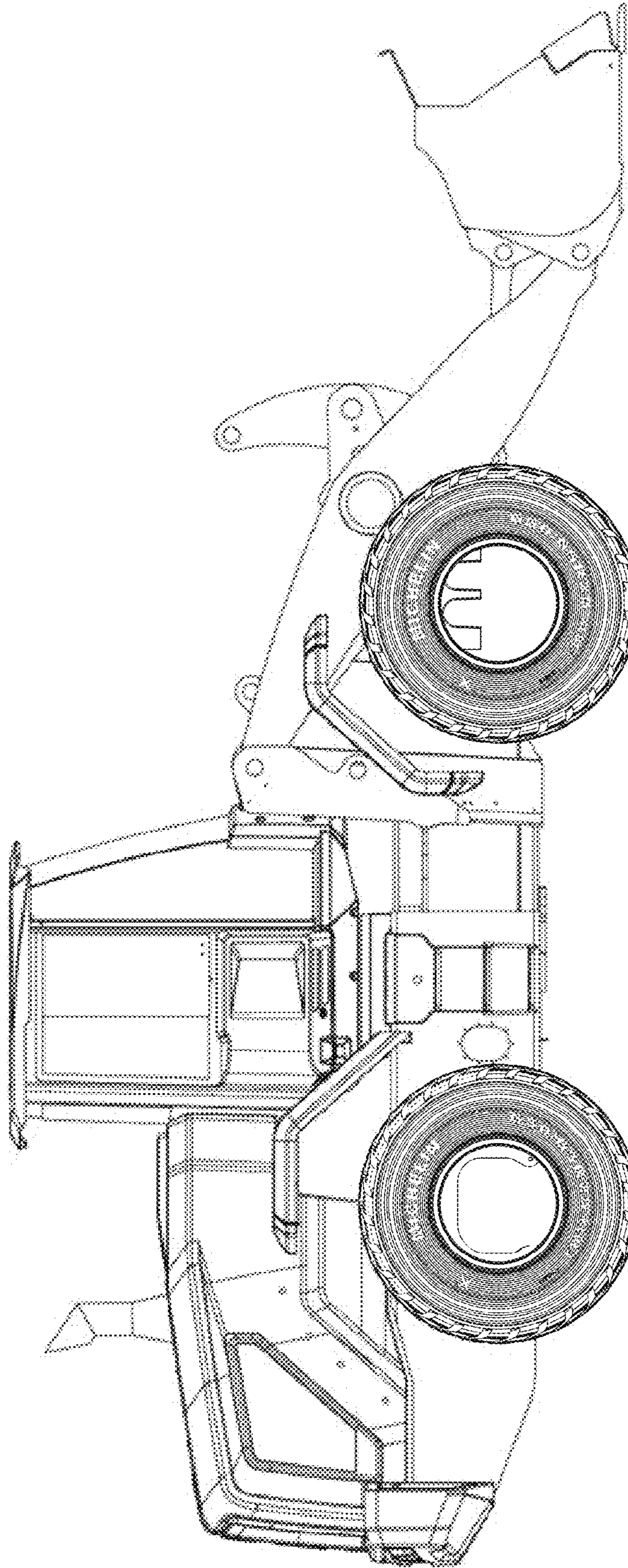


FIG. 6

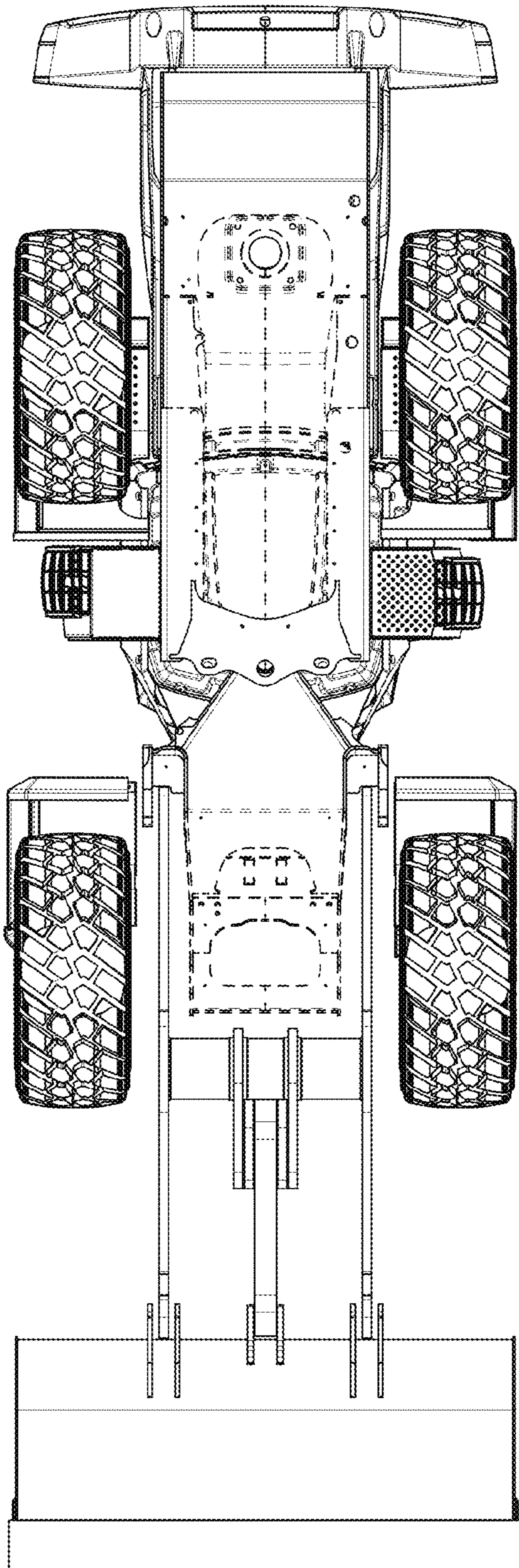


FIG. 7

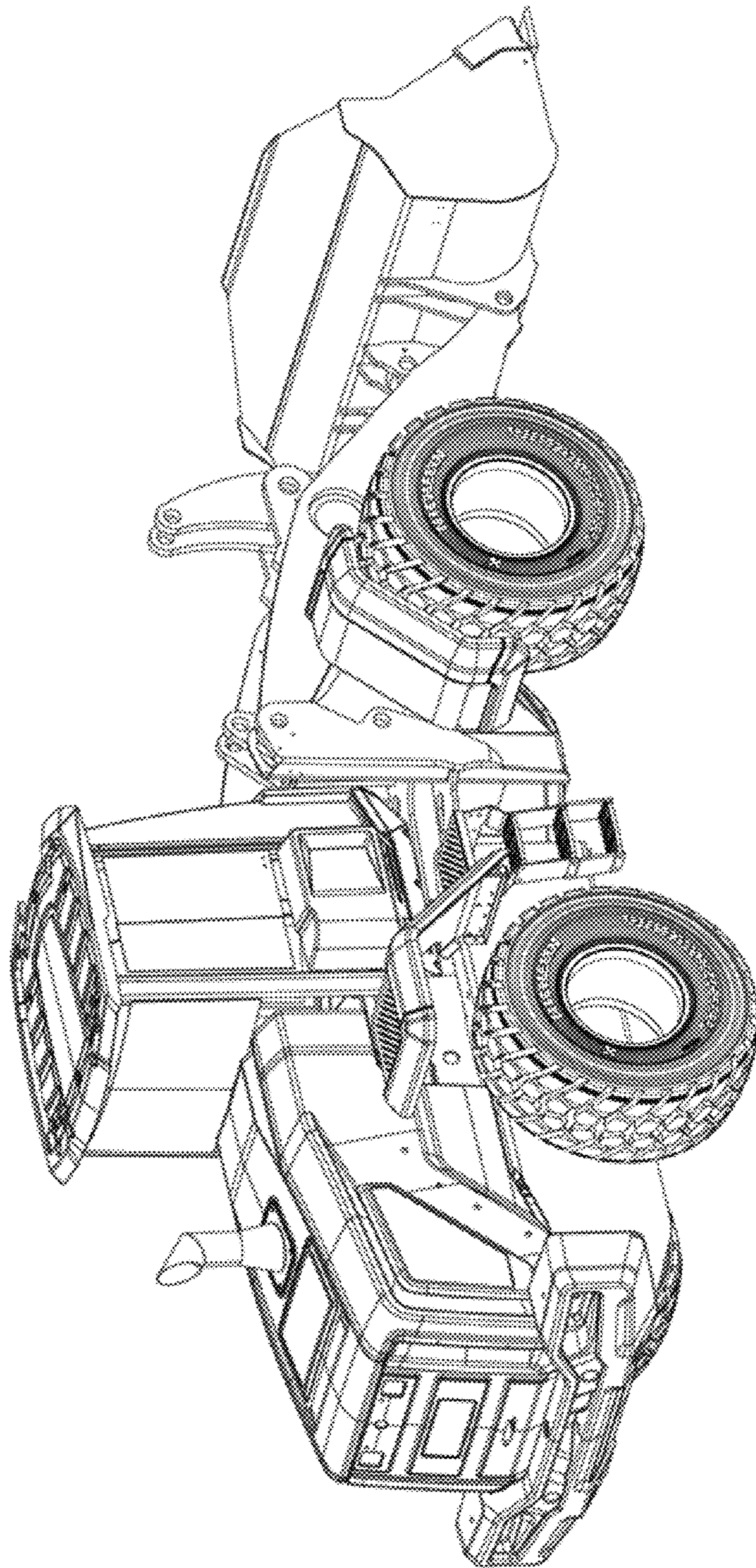


FIG. 8

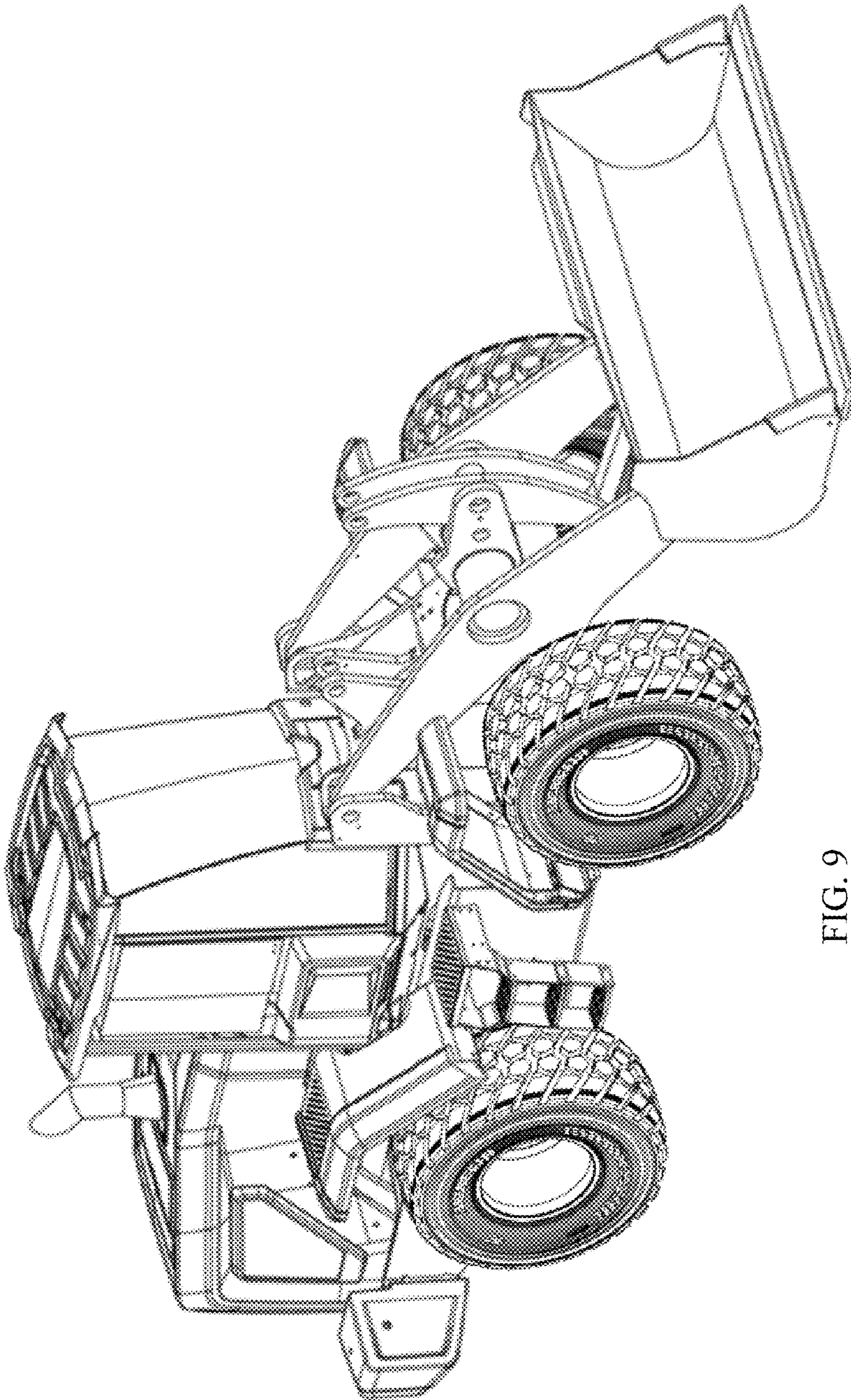


FIG. 9

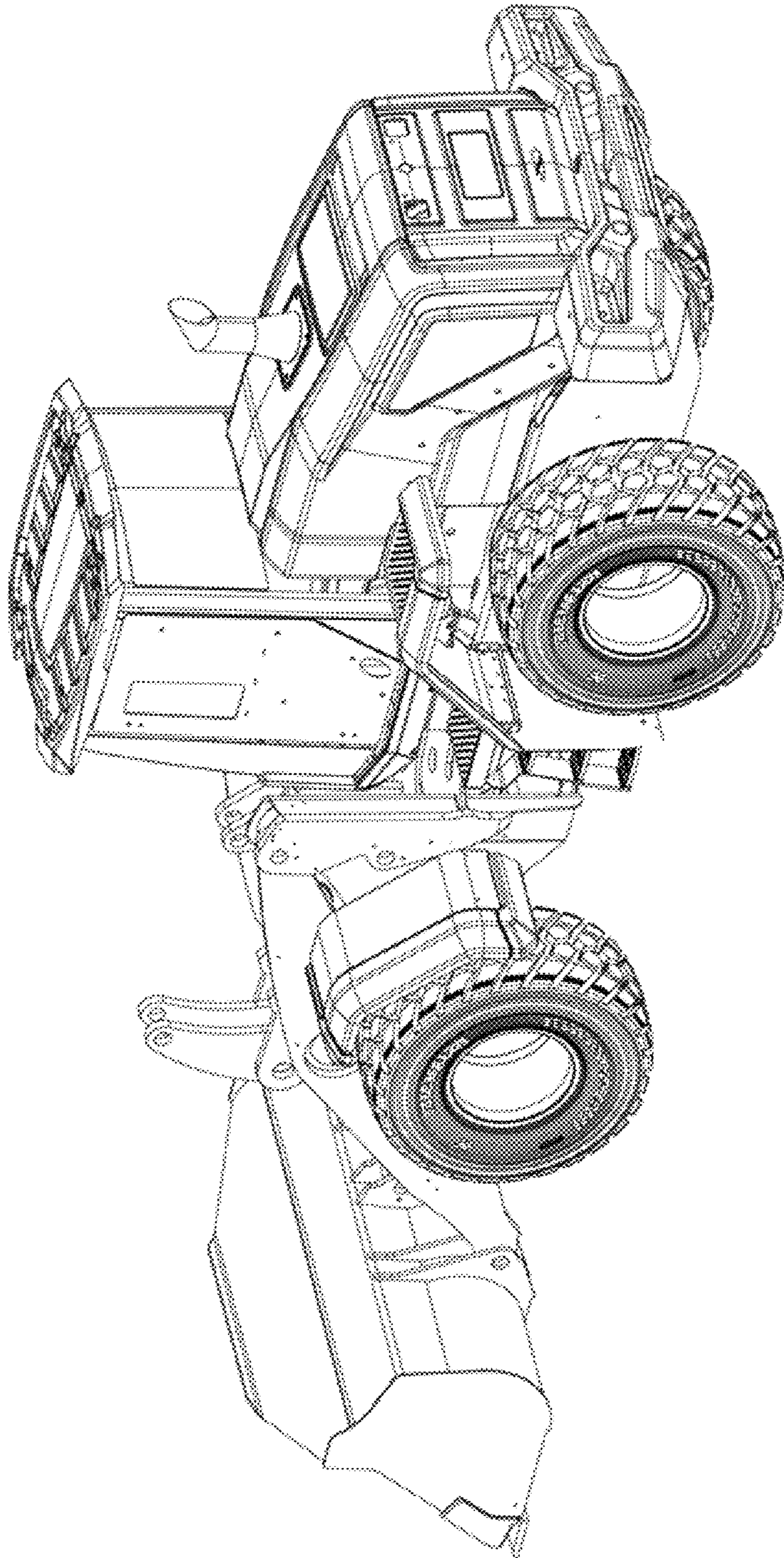


FIG. 10