



US00D747746S

(12) **United States Design Patent**
Giordano

(10) **Patent No.:** **US D747,746 S**
(45) **Date of Patent:** **** Jan. 19, 2016**

- (54) **EXHAUST COMPONENT**
- (71) Applicant: **Charles Fenn Giordano**, West Tisbury, MA (US)
- (72) Inventor: **Charles Fenn Giordano**, West Tisbury, MA (US)
- (**) Term: **14 Years**
- (21) Appl. No.: **29/503,448**
- (22) Filed: **Sep. 26, 2014**
- (51) **LOC (10) Cl.** **15-01**
- (52) **U.S. Cl.**
USPC **D15/5; D12/114; D12/194**
- (58) **Field of Classification Search**
USPC **D15/1-6; D12/114, 194, 107, 110; 181/227, 228, 239**
CPC **F01N 13/007; F01N 13/00; F01N 1/083**
See application file for complete search history.

- D541,718 S * 5/2007 Emler D12/194
- D548,649 S * 8/2007 Heinrich D12/110
- D560,729 S * 1/2008 Chung D21/432
- D566,010 S * 4/2008 Hohdorf D12/110
- 7,464,787 B2 * 12/2008 Davis, Jr. F01N 13/20
181/227
- D589,422 S * 3/2009 Davis, Jr. D12/194
- D590,748 S * 4/2009 Kohama D12/110
- D594,785 S * 6/2009 Sasanami D12/110
- D612,312 S * 3/2010 Davidson D12/194
- D619,934 S * 7/2010 Li D12/110
- 8,439,159 B1 * 5/2013 Borla F01N 1/083
181/212
- 2004/0149514 A1 * 8/2004 Bogard F01N 1/10
181/252
- 2005/0161283 A1 * 7/2005 Emler F01N 1/003
181/249
- 2005/0224273 A1 * 10/2005 Conte F02M 35/10157
180/309
- 2007/0102224 A1 * 5/2007 Harada F01N 3/10
180/309
- 2007/0151798 A1 * 7/2007 Smith F01N 1/04
181/256

* cited by examiner

Primary Examiner — T. Chase Nelson

Assistant Examiner — Ania Aman

(74) *Attorney, Agent, or Firm* — Paul H. Demchick

(56) **References Cited**
U.S. PATENT DOCUMENTS

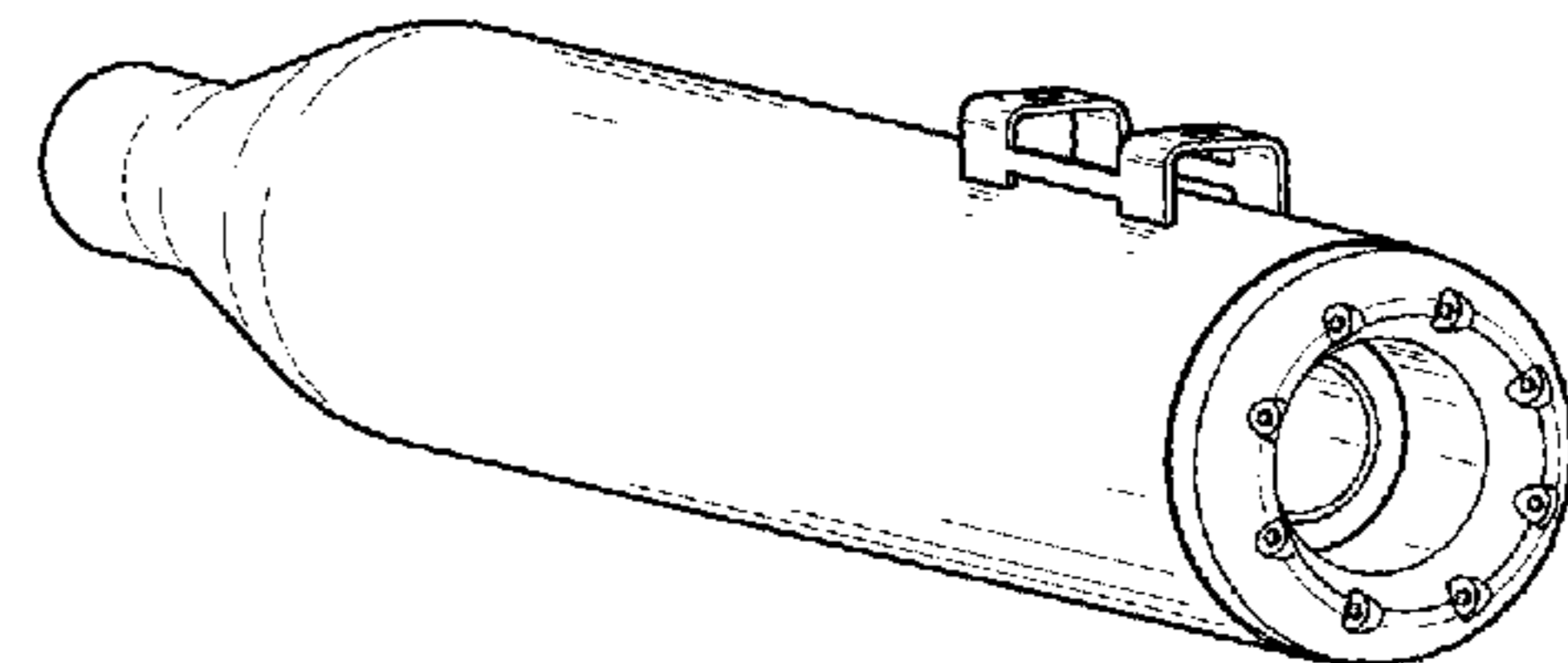
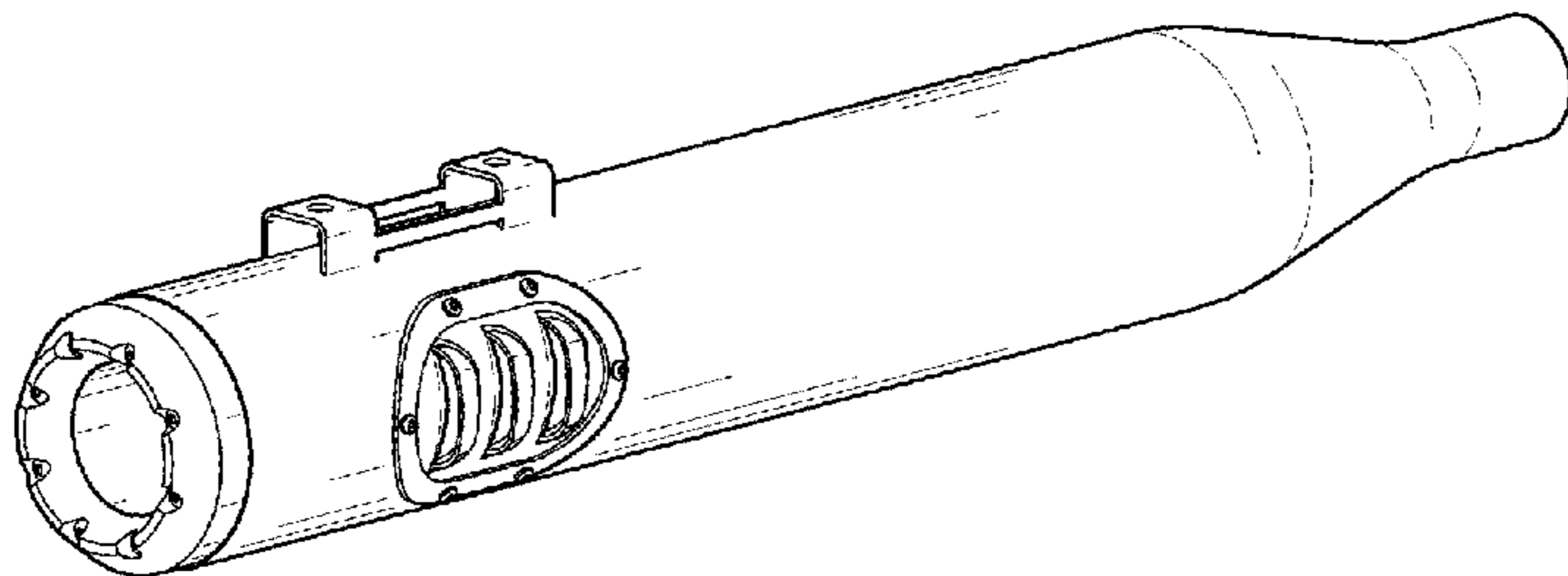
- 1,953,120 A * 4/1934 Miller F01N 3/08
239/402.5
- 2,449,756 A * 9/1948 Trautmann F01N 13/082
181/228
- 3,863,733 A * 2/1975 Raudman, Jr. F01N 1/10
181/252
- 4,149,611 A * 4/1979 Taguchi F01N 1/00
181/252
- 4,715,472 A * 12/1987 McKee F01N 1/165
181/239
- D420,316 S * 2/2000 Hanlon D12/194
- 6,193,004 B1 * 2/2001 Cooksey B62K 11/04
180/219
- D442,892 S * 5/2001 Timmermann D12/110
- 6,408,980 B1 * 6/2002 Dooley F01N 1/006
180/309
- D465,181 S * 11/2002 Wang D12/194
- D490,036 S * 5/2004 Cho D12/194

(57) **CLAIM**
The ornamental design for a exhaust component as shown.

DESCRIPTION

FIG. 1 is an isometric view of the exhaust component.
FIG. 2 is a right side view of the exhaust component.
FIG. 3 is a left side view of the exhaust component.
FIG. 4 is a top view of the exhaust component.
FIG. 5 is a bottom view of the exhaust component.
FIG. 6 is a front view of the exhaust component.
FIG. 7 is a rear view of the exhaust component; and,
FIG. 8 is an isometric view of the exhaust component.

1 Claim, 3 Drawing Sheets



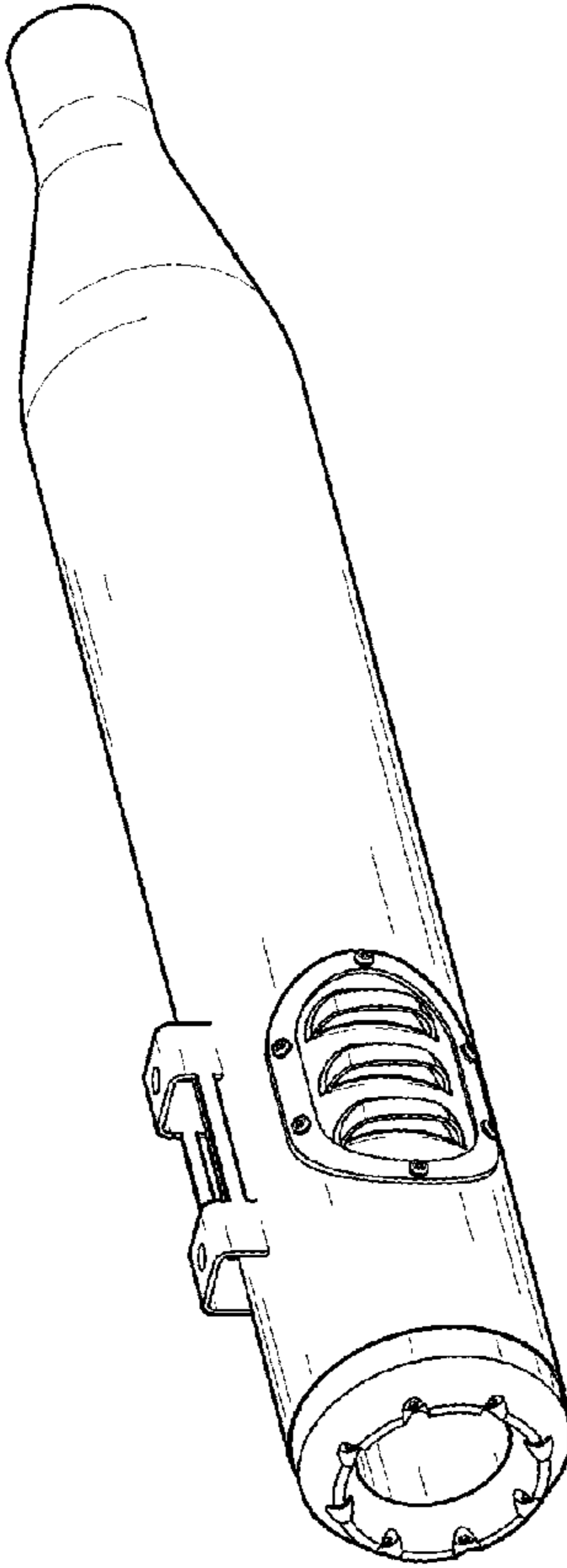


FIG. 1

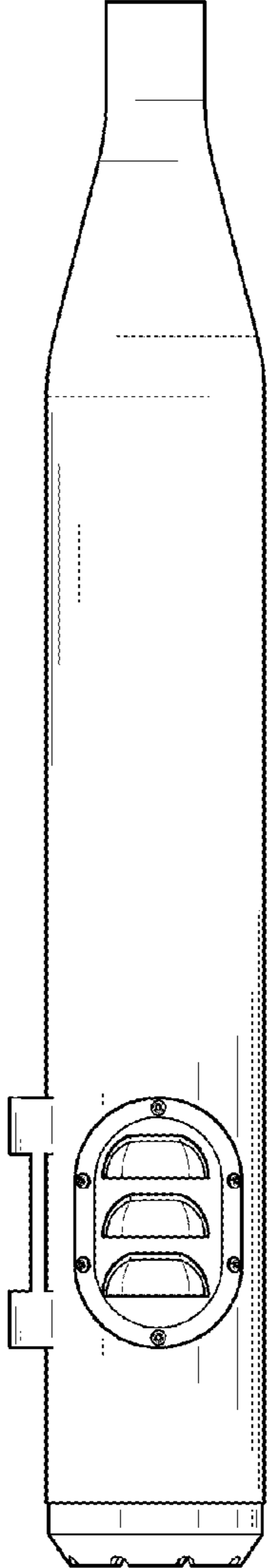


FIG. 2

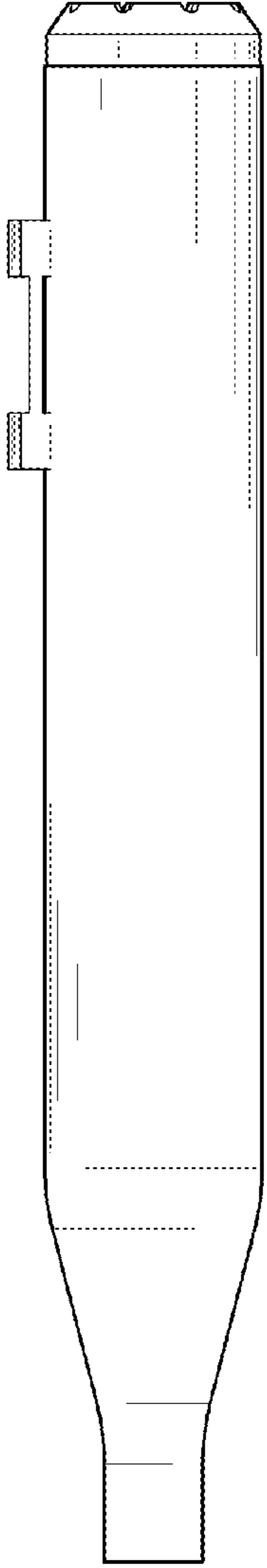


FIG. 3

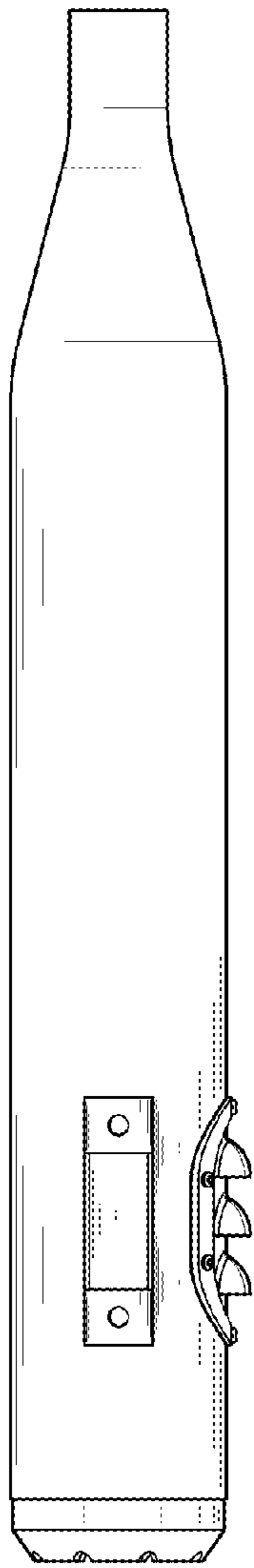


FIG. 4

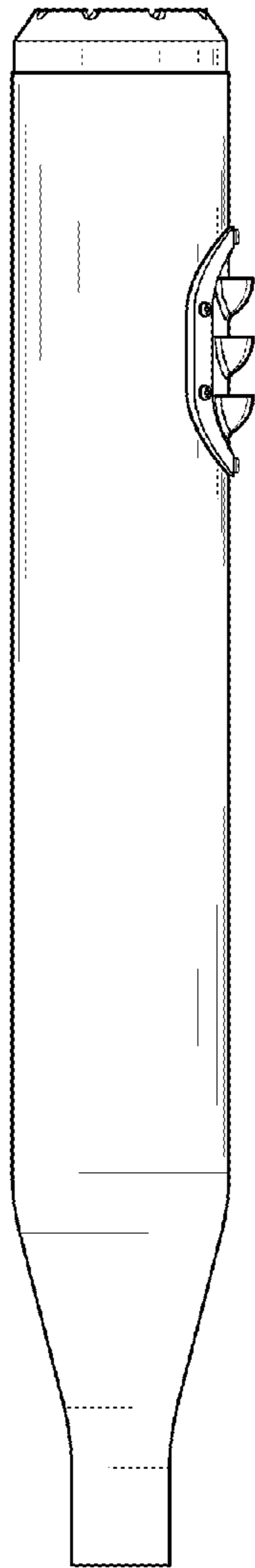


FIG. 5

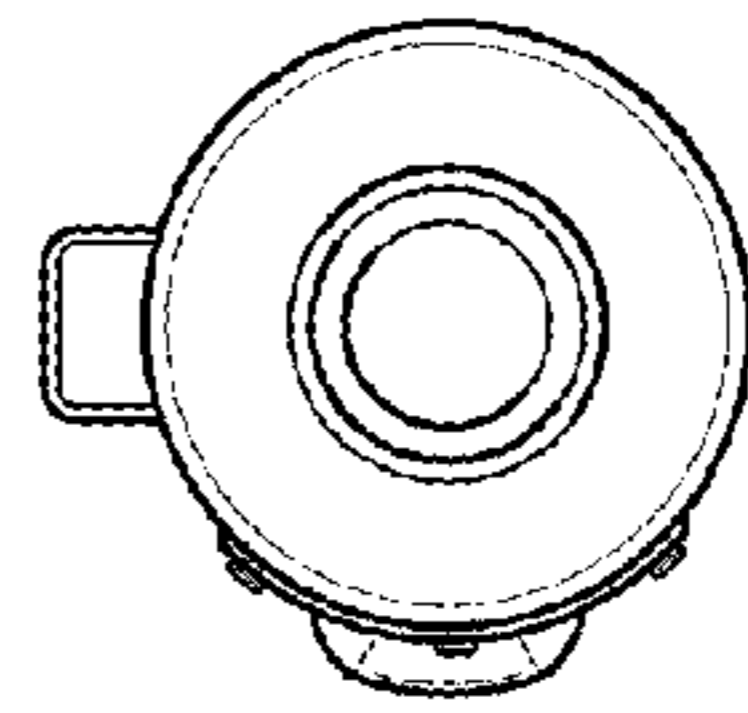


FIG. 6

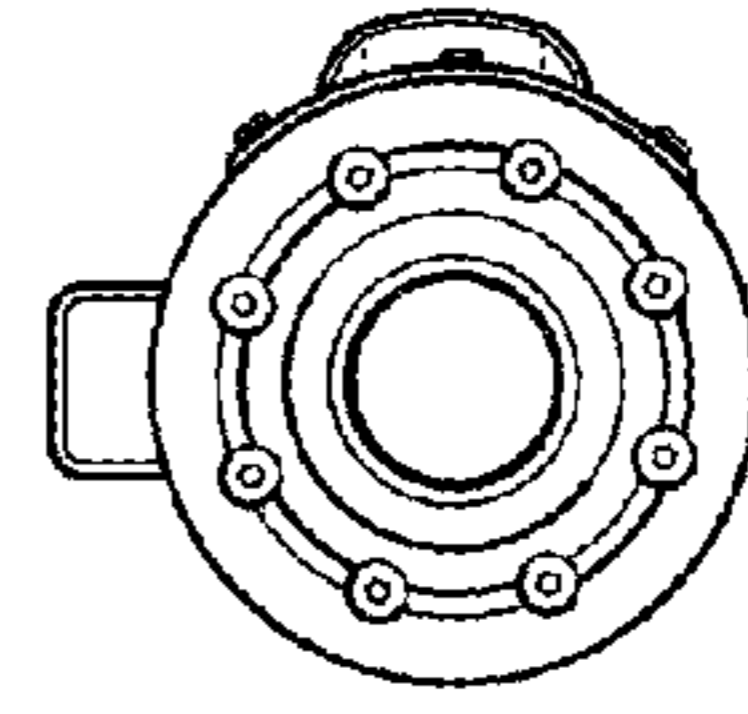


FIG. 7

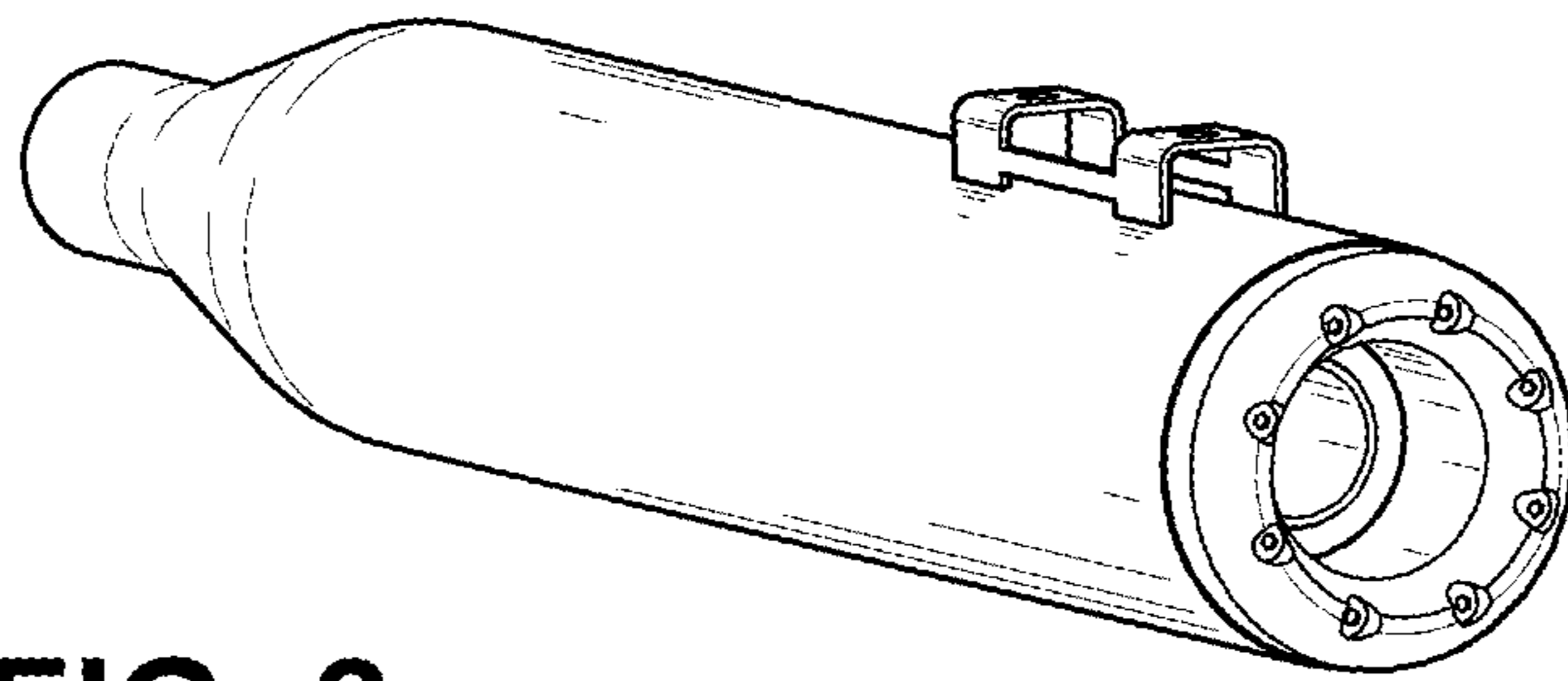


FIG. 8