



US00D747745S

(12) **United States Design Patent**  
**Sannomiya**

(10) **Patent No.:** **US D747,745 S**  
(45) **Date of Patent:** **\*\* Jan. 19, 2016**

(54) **MOTOR ACTUATOR**

(71) Applicant: **TGK CO., LTD.**, Hachioji-shi, Tokyo (JP)

(72) Inventor: **Takashi Sannomiya**, Tokyo (JP)

(73) Assignee: **TGK CO., LTD.**, Tokyo (JP)

(\*\*) Term: **14 Years**

(21) Appl. No.: **29/486,855**

(22) Filed: **Apr. 3, 2014**

(30) **Foreign Application Priority Data**

Oct. 8, 2013 (JP) ..... 2013-023563

(51) **LOC (10) Cl.** ..... **15-01**

(52) **U.S. Cl.**  
USPC ..... **D15/5**

(58) **Field of Classification Search**

USPC ..... D15/1-6, 7, 9, 143, 148, 199; D13/158, D13/162, 171, 174, 184; 310/10, 12, 13, 20, 310/71, 80, 83, 89, 112, 300; 475/149, 249, 475/343; 74/83, 89.15, 112, 411.5, 490.09  
See application file for complete search history.

(56) **References Cited**

**U.S. PATENT DOCUMENTS**

6,028,384 A \* 2/2000 Billman et al. .... 310/83  
6,712,727 B2 \* 3/2004 Kujira et al. .... 475/149  
D614,148 S \* 4/2010 Crites ..... D13/174  
D660,891 S \* 5/2012 Sannomiya ..... D15/143  
D680,141 S \* 4/2013 Sannomiya ..... D15/148

8,680,727 B2 \* 3/2014 Cors et al. .... 310/83  
D707,739 S \* 6/2014 Wada et al. .... D15/148  
2002/0111241 A1 \* 8/2002 Kujira et al. .... 475/149  
2008/0224553 A1 \* 9/2008 Abe et al. .... 310/71  
2009/0115270 A1 \* 5/2009 Huang et al. .... 310/71

**FOREIGN PATENT DOCUMENTS**

JP D1430942 S 12/2011  
JP D1460557 S 12/2012  
JP 2013-005512 A 1/2013  
JP 2013-183554 A 9/2013

\* cited by examiner

*Primary Examiner* — T. Chase Nelson

*Assistant Examiner* — Ania Aman

(74) *Attorney, Agent, or Firm* — Westerman, Hattori, Daniels & Adrian, LLP

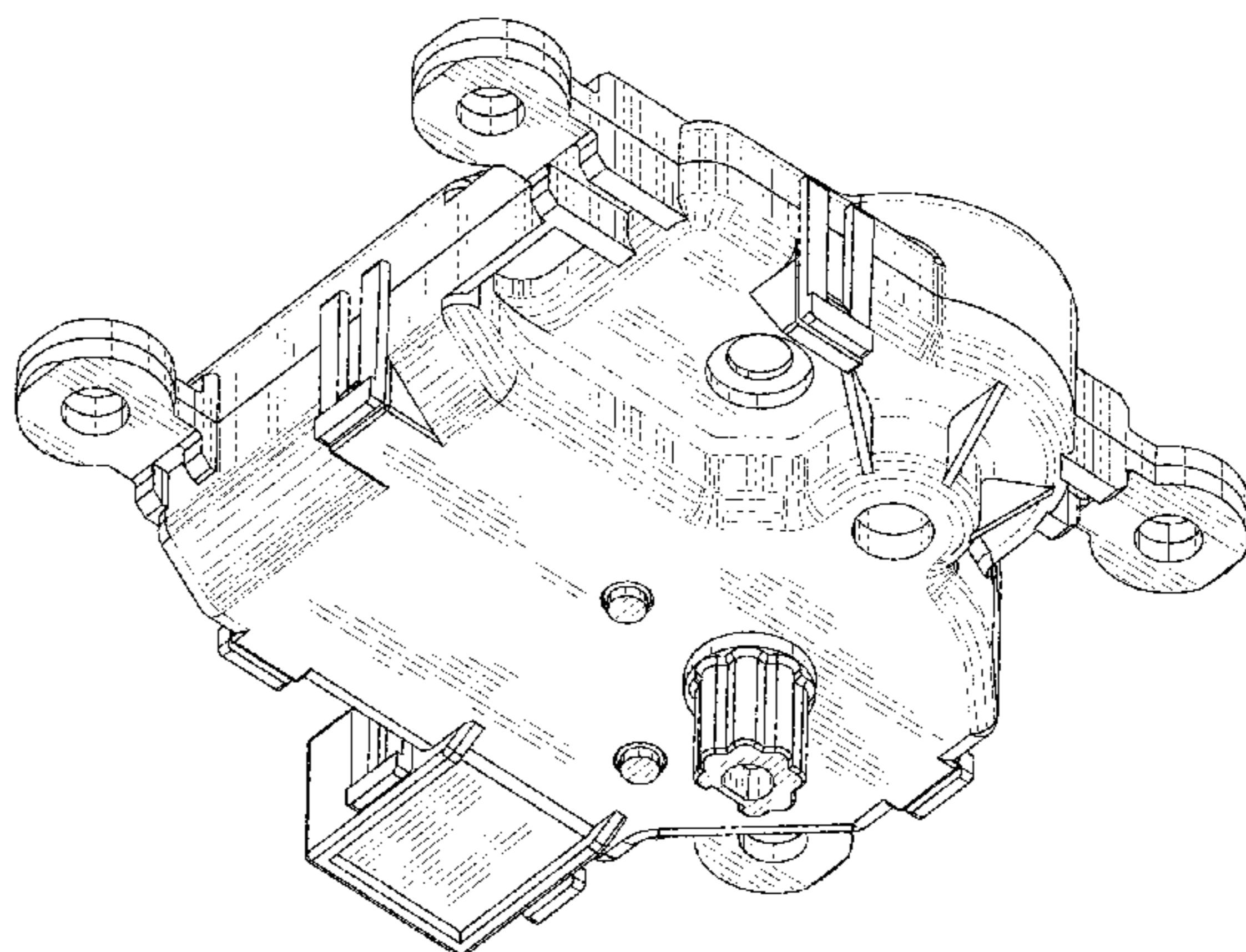
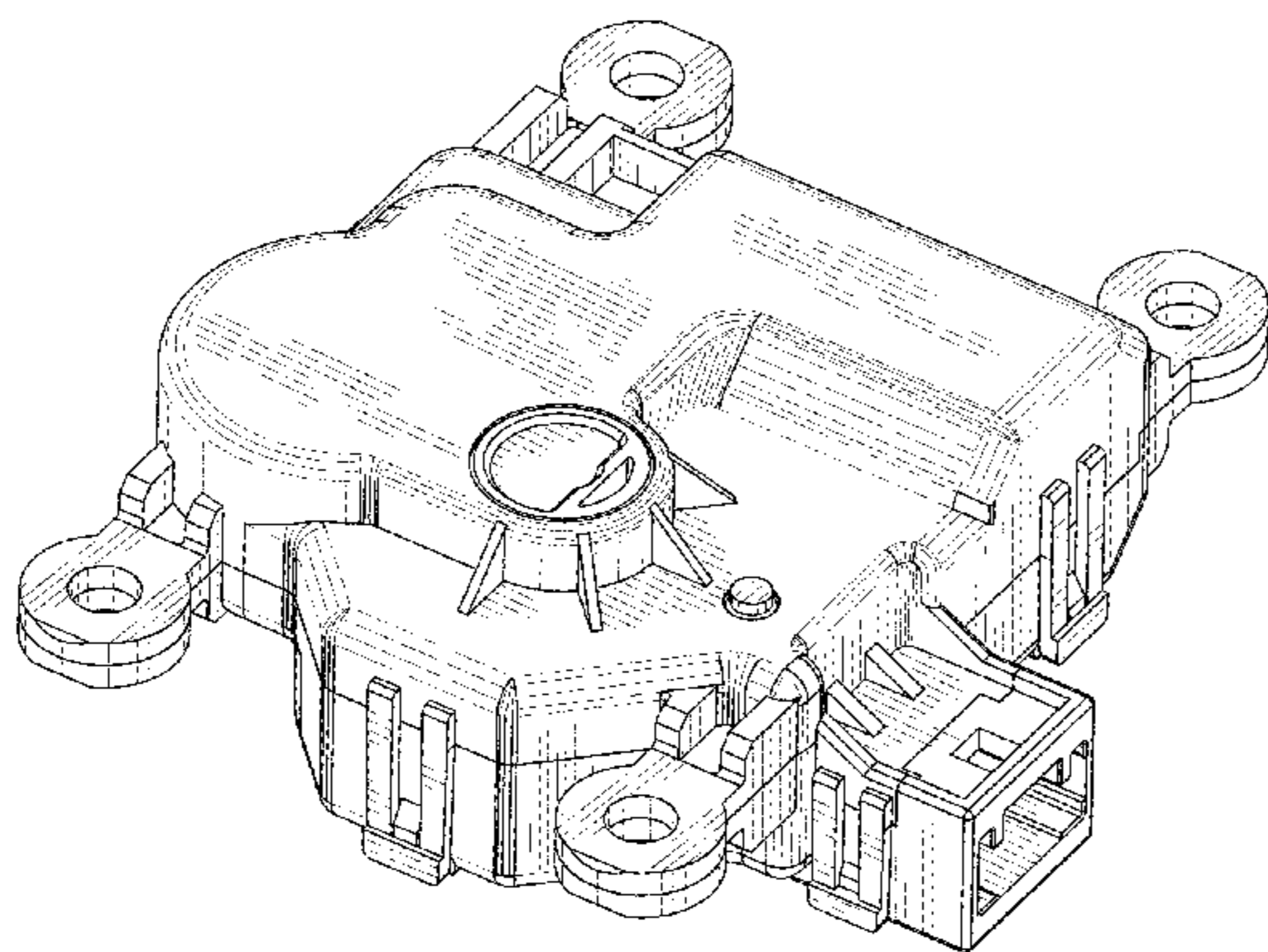
(57) **CLAIM**

The ornamental design for a motor actuator, as shown and described.

**DESCRIPTION**

FIG. 1 is a front view of a motor actuator.  
FIG. 2 is a rear view of the motor actuator.  
FIG. 3 is a left side view of the motor actuator.  
FIG. 4 is a right side view of the motor actuator.  
FIG. 5 is a top plan view of the motor actuator.  
FIG. 6 is a bottom plan view of the motor actuator.  
FIG. 7 is a top perspective view of the motor actuator; and,  
FIG. 8 is a bottom perspective view of the motor actuator.  
The broken lines shown in the drawings illustrate environmental structure and portions of the motor actuator that form no part of the claimed design.

**1 Claim, 8 Drawing Sheets**



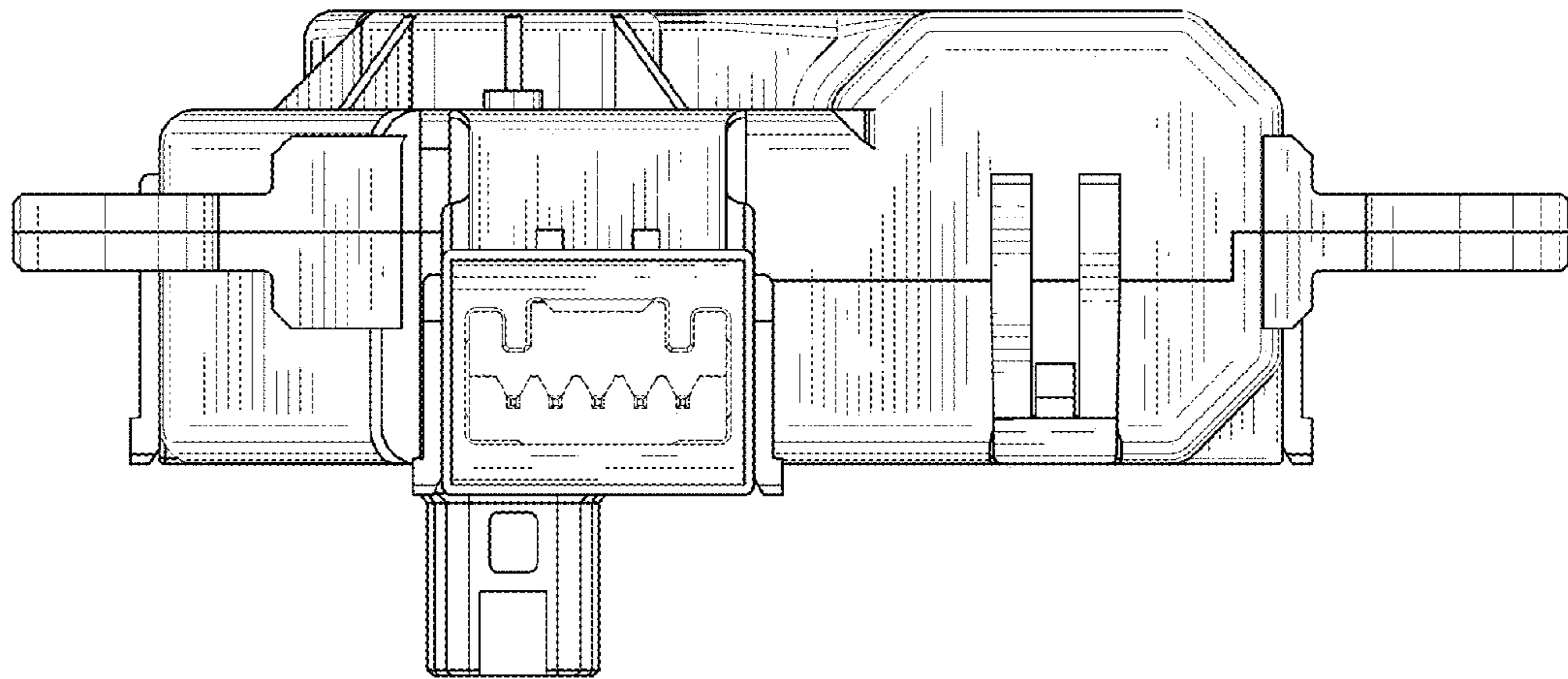


FIG. 1

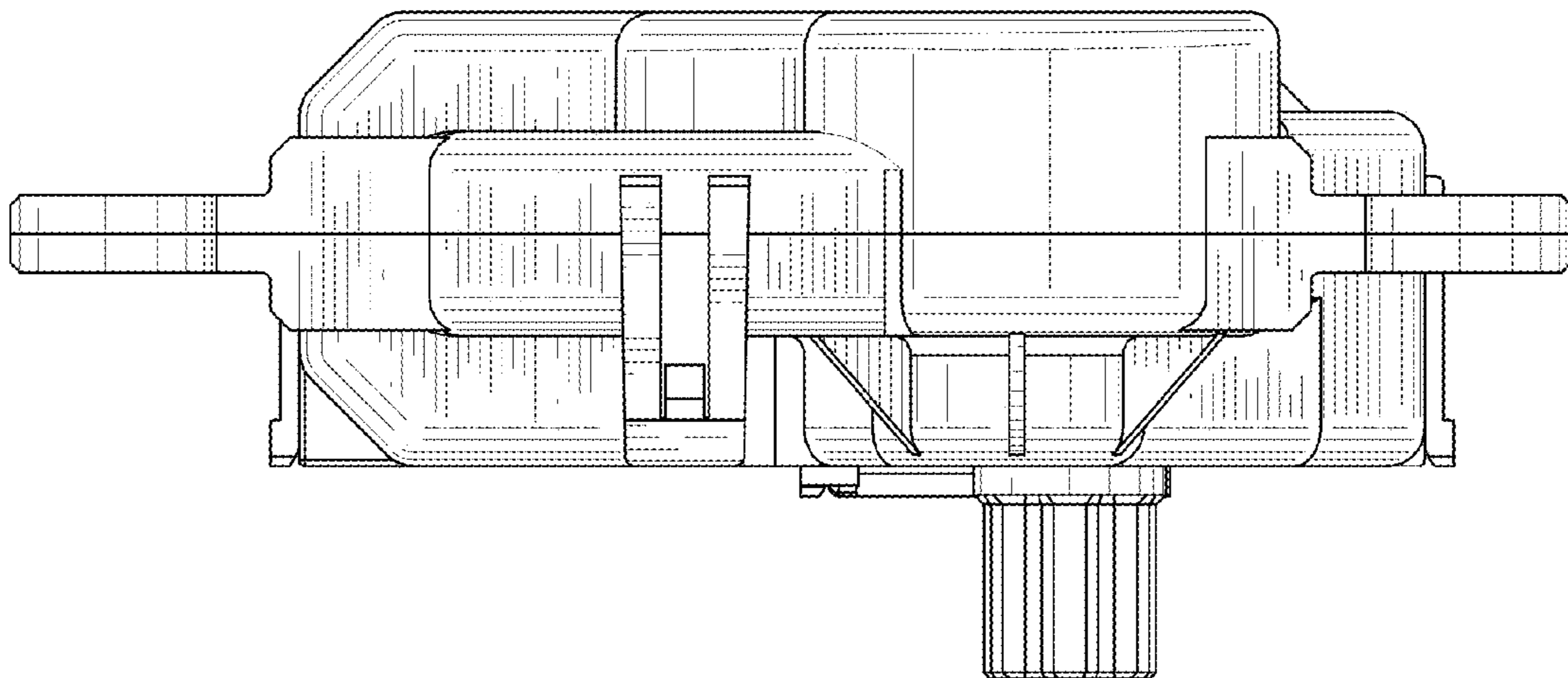


FIG. 2

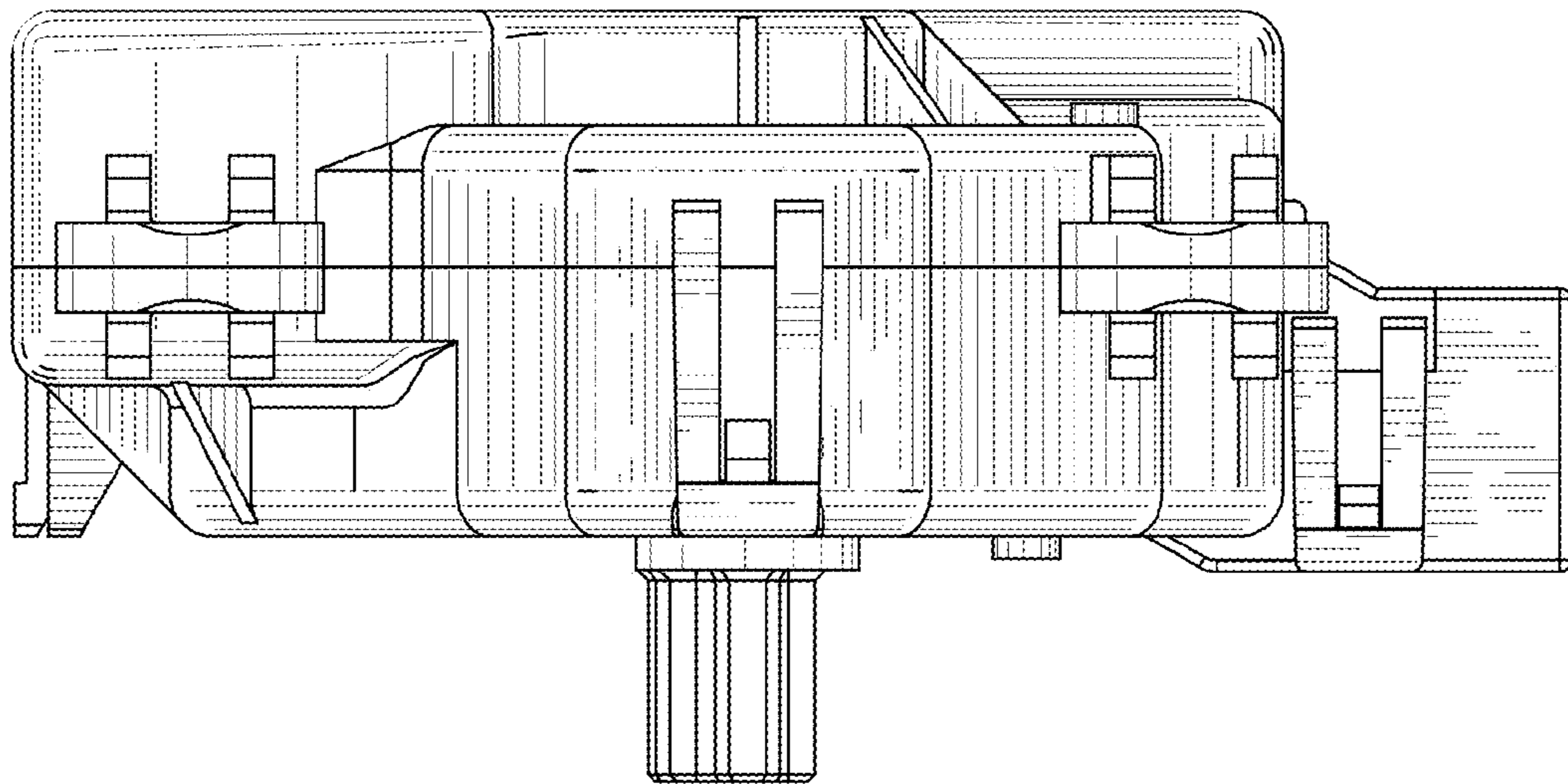


FIG. 3

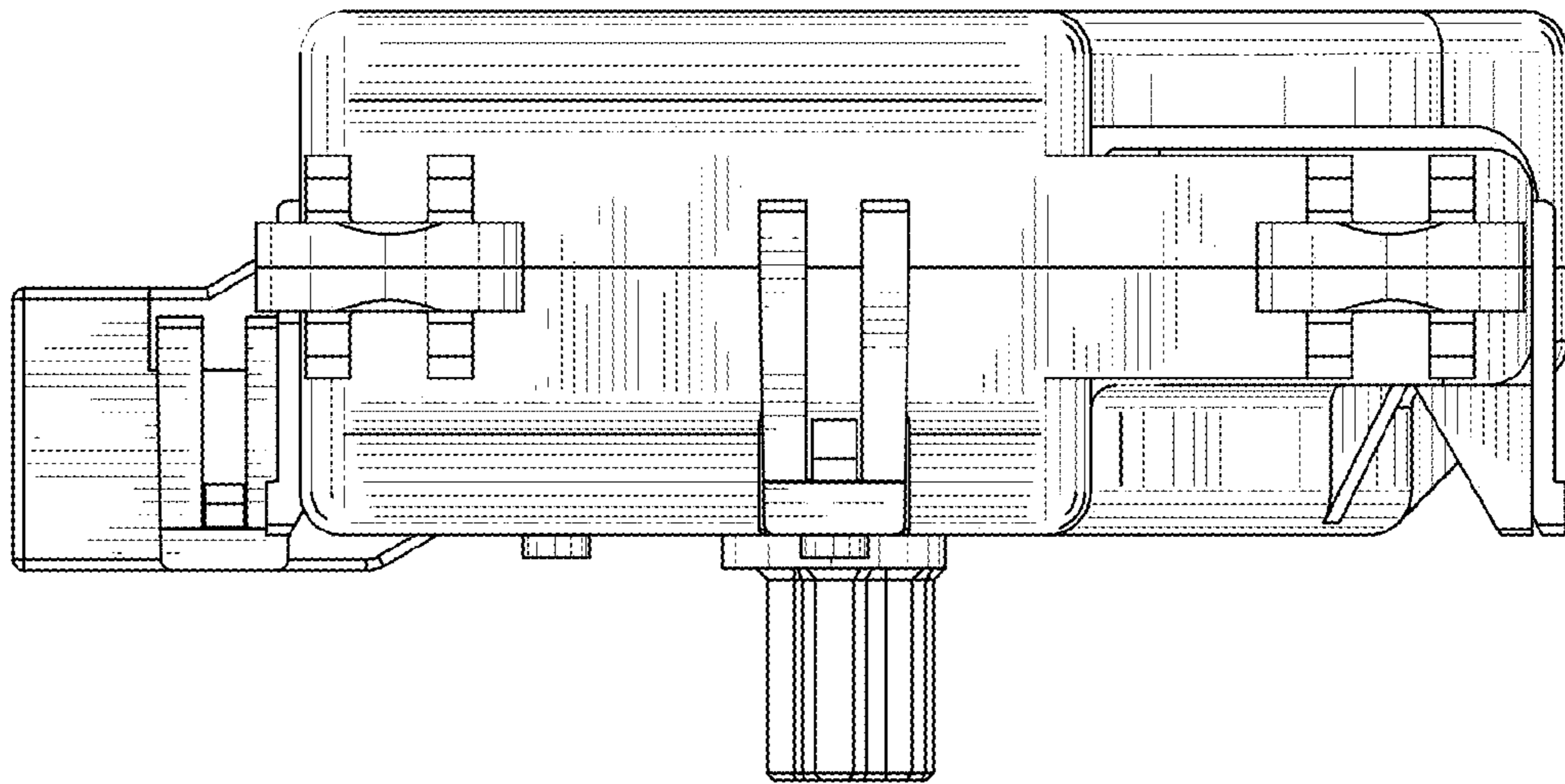


FIG. 4

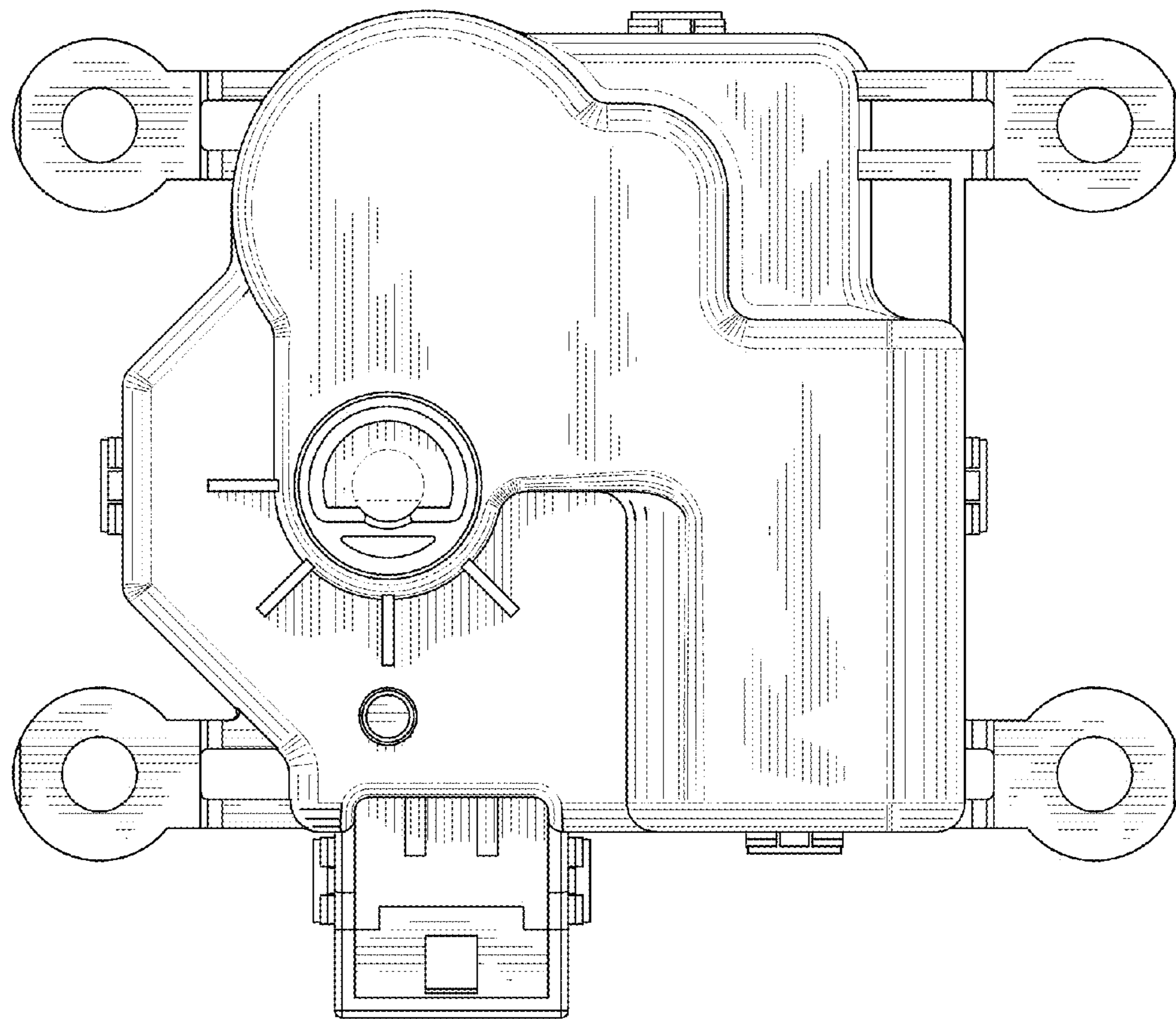


FIG. 5

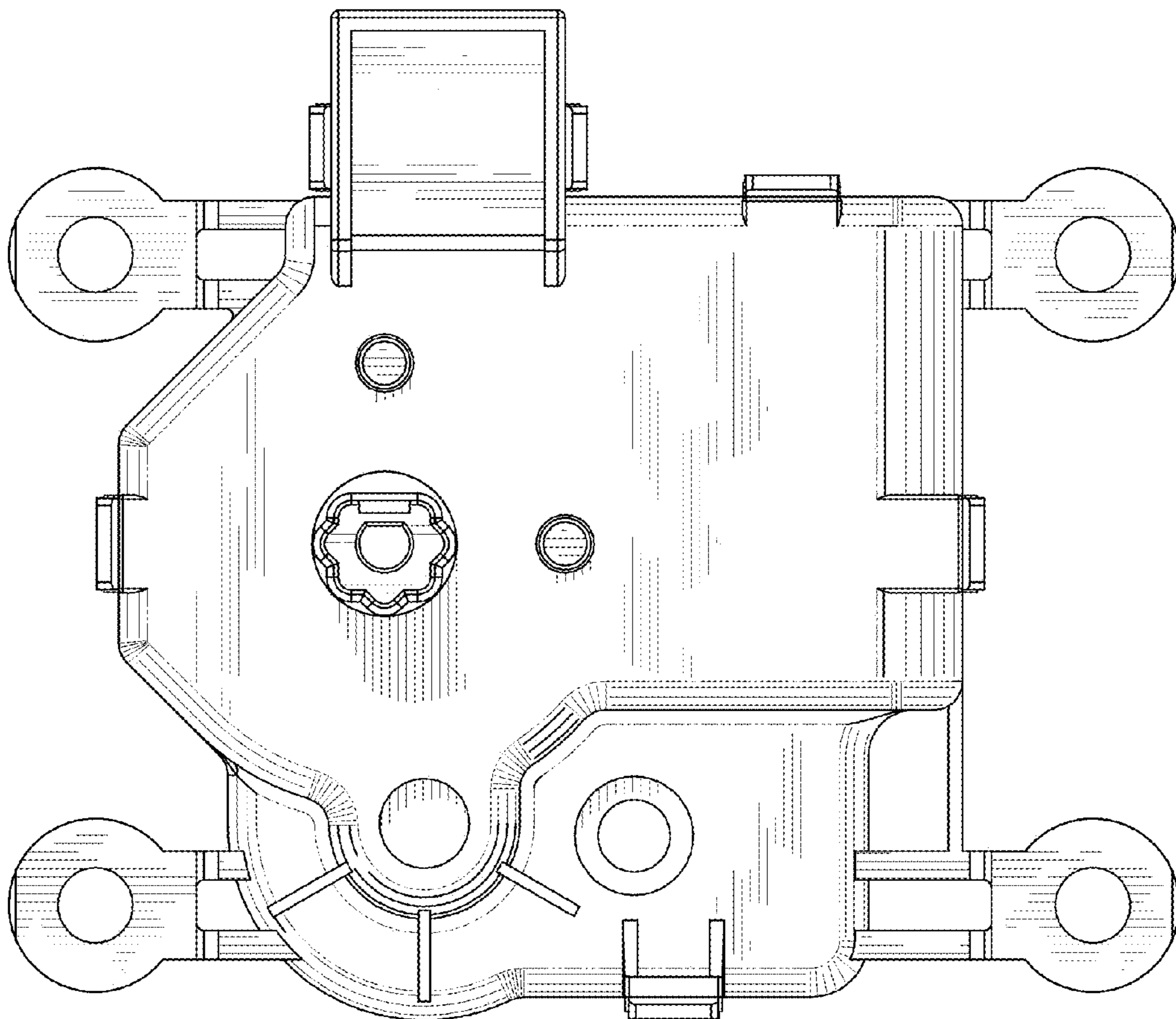


FIG. 6

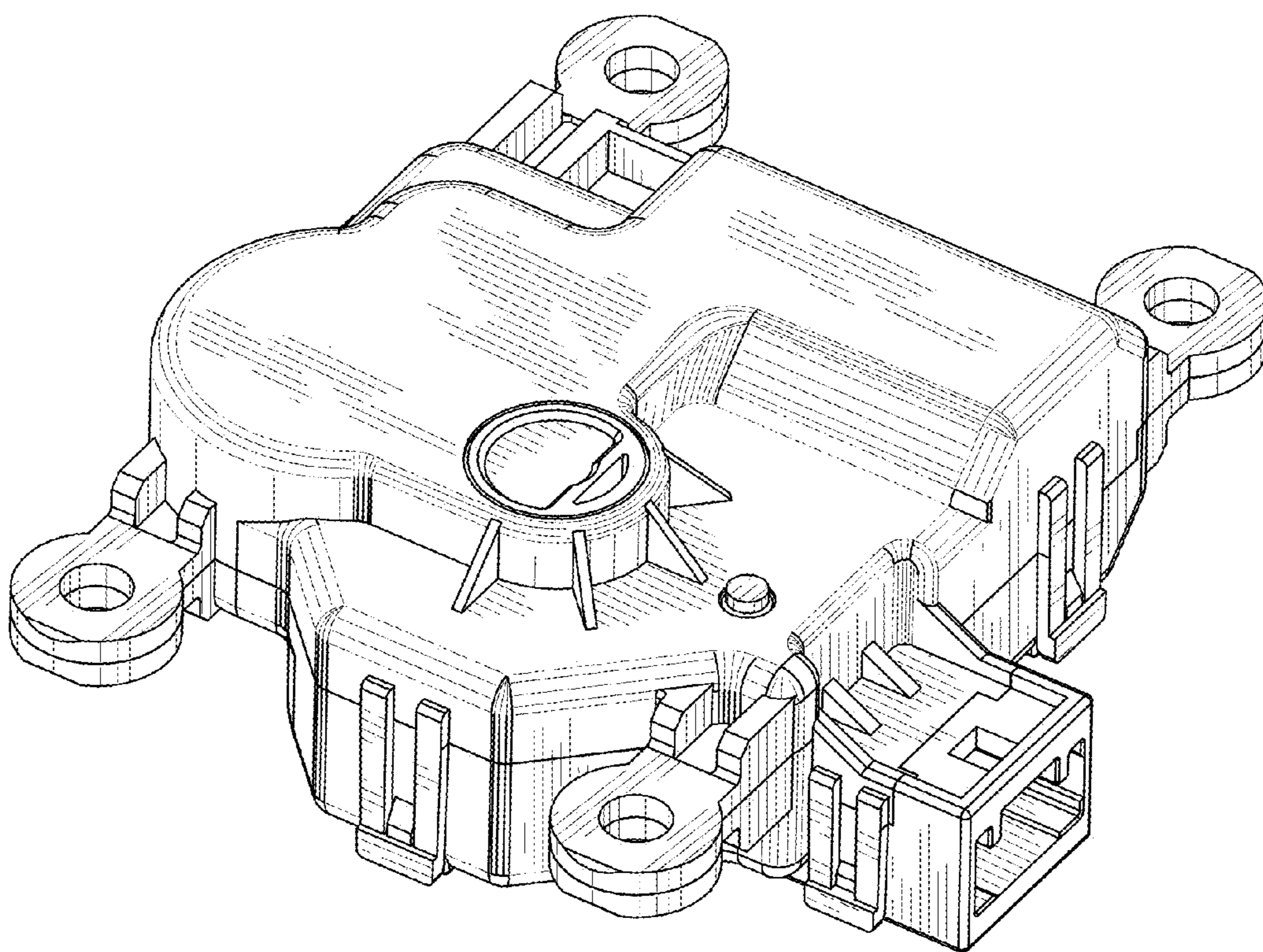


FIG. 7



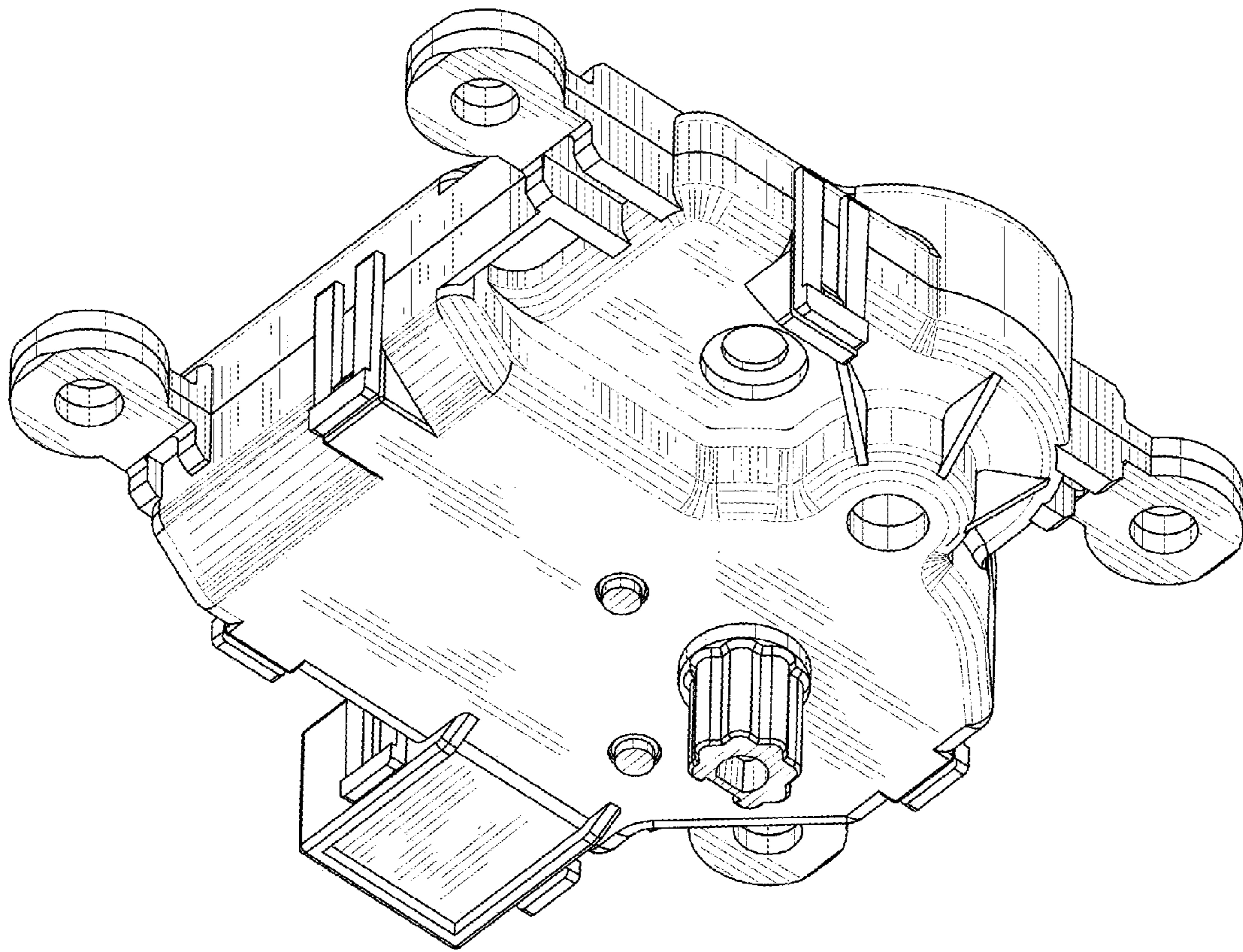


FIG. 8