



US00D747737S

(12) **United States Design Patent**
Park et al.

(10) **Patent No.:** **US D747,737 S**
(45) **Date of Patent:** **** Jan. 19, 2016**

(54) **DISPLAY SCREEN PORTION WITH ICON**

(71) Applicant: **Samsung Electronics Co., Ltd.**,
Suwon-si, Gyeonggi-do (KR)

(72) Inventors: **Hye-Bin Park**, Seoul (KR); **You-Jin Im**,
Seoul (KR); **Sora Kim**, Seoul (KR);
Joo-Hyung Lee, Seoul (KR)

(73) Assignee: **SAMSUNG ELECTRONICS CO.,**
LTD. (KR)

(**) Term: **14 Years**

(21) Appl. No.: **29/465,913**

(22) Filed: **Sep. 3, 2013**

(51) **LOC (10) Cl.** **14-04**

(52) **U.S. Cl.**
USPC **D14/492**

(58) **Field of Classification Search**
USPC D14/485–495
CPC G06F 3/048; G06F 3/04817
See application file for complete search history.

(56) **References Cited**

U.S. PATENT DOCUMENTS

D390,548 S * 2/1998 Maekawa et al. D14/488
D392,276 S * 3/1998 Wanishi et al. D14/490
D396,854 S * 8/1998 Tullis D14/486
6,373,505 B1 * 4/2002 Bellamy et al. 715/772
D469,104 S * 1/2003 Istvan et al. D14/486
D482,041 S * 11/2003 Peters D14/492
D547,365 S * 7/2007 Reyes et al. D18/27
D547,767 S * 7/2007 Jewitt D14/492
D548,244 S * 8/2007 Fletcher D14/493
D557,704 S * 12/2007 O'Donnell et al. D14/492
D574,844 S * 8/2008 Gusmorino et al. D14/492
D581,941 S * 12/2008 Melander et al. D14/492
D589,792 S * 4/2009 Clabough et al. D9/434
D595,312 S * 6/2009 Niijima D14/492
D595,732 S * 7/2009 Chaudhri et al. D14/492
D599,378 S * 9/2009 Mays D14/492

D613,750 S * 4/2010 Truelove et al. D14/492
D649,159 S * 11/2011 Viggers et al. D14/492
D664,563 S * 7/2012 Phelan D14/492
D677,691 S * 3/2013 Frijlink D14/487
D681,663 S * 5/2013 Phelan et al. D14/488
D682,297 S * 5/2013 DiJulio et al. D14/487
D684,184 S * 6/2013 Tanghe et al. D14/489
D688,692 S * 8/2013 Tanghe et al. D14/488
D689,897 S * 9/2013 Fong et al. D14/487
D693,367 S * 11/2013 Daniel D14/489
D693,835 S * 11/2013 Daniel D14/486
D693,838 S * 11/2013 Gardner et al. D14/486
D693,846 S * 11/2013 Daniel D14/489
D694,261 S * 11/2013 Daniel D14/489
D694,778 S * 12/2013 Gyllensward D14/489
D698,816 S * 2/2014 Phelan et al. D14/488
D701,878 S * 4/2014 Cahill et al. D14/488
D705,257 S * 5/2014 Gerssen et al. D14/491
D706,295 S * 6/2014 Daniel D14/489
D710,885 S * 8/2014 Winther et al. D14/490
D719,835 S * 12/2014 Robson D9/600
D722,324 S * 2/2015 Florence et al. D14/488

* cited by examiner

Primary Examiner — Kevin Rudzinski

(74) *Attorney, Agent, or Firm* — Cantor Colburn LLP

(57) **CLAIM**

We claim, the ornamental design for a display screen portion with icon, as shown and described.

DESCRIPTION

FIG. 1 is a front view of a display screen portion with icon showing our new design;
FIG. 2 is a second embodiment thereof;
FIG. 3 is a third embodiment thereof;
FIG. 4 is a fourth embodiment thereof;
FIG. 5 is a fifth embodiment thereof;
FIG. 6 is a sixth embodiment thereof; and,
FIG. 7 is a seventh embodiment thereof.
The broken lines illustrating portions of the display screen portion with icon are for environmental purposes only and form no part of the claimed design.

1 Claim, 7 Drawing Sheets

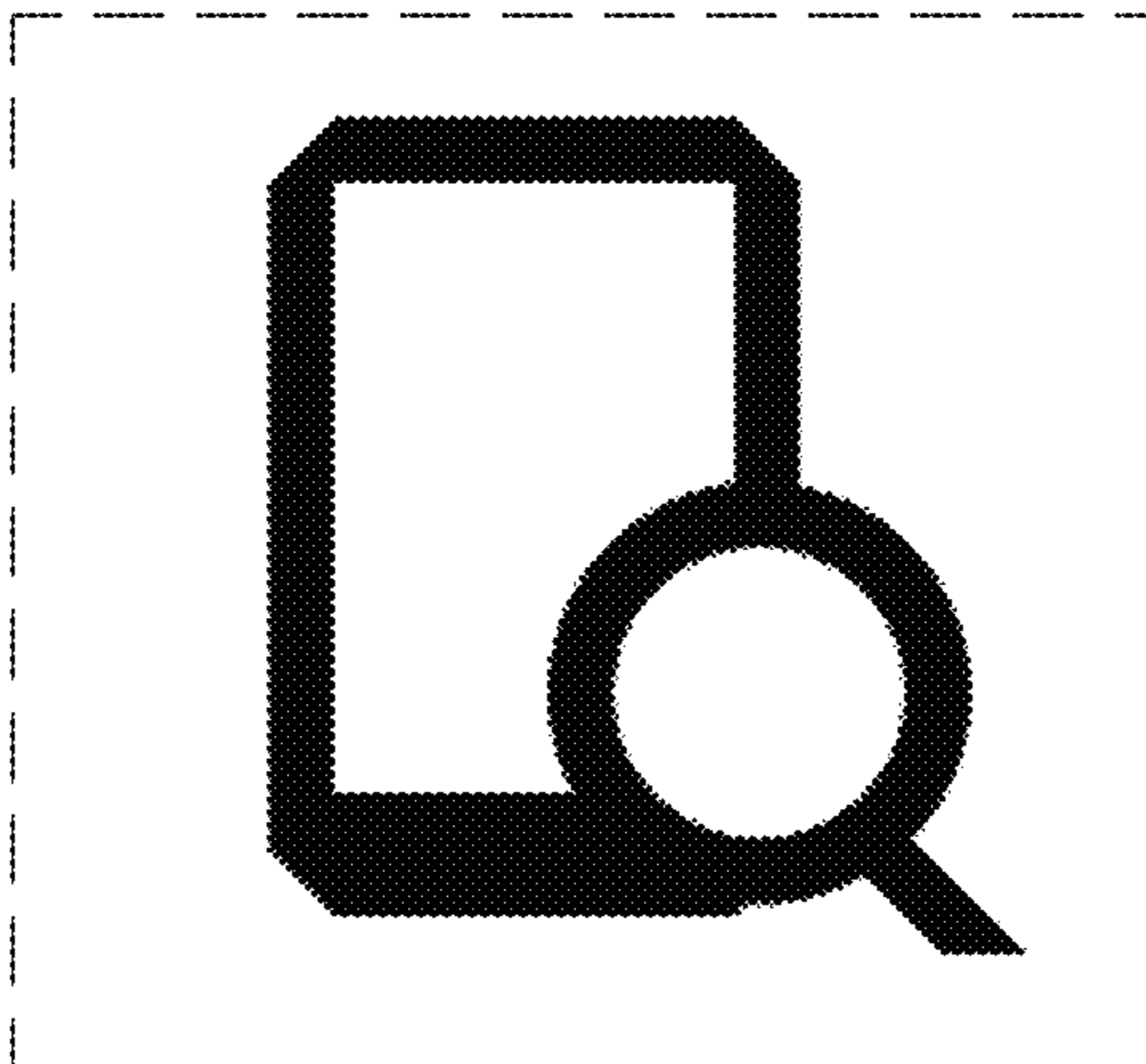


FIG. 1

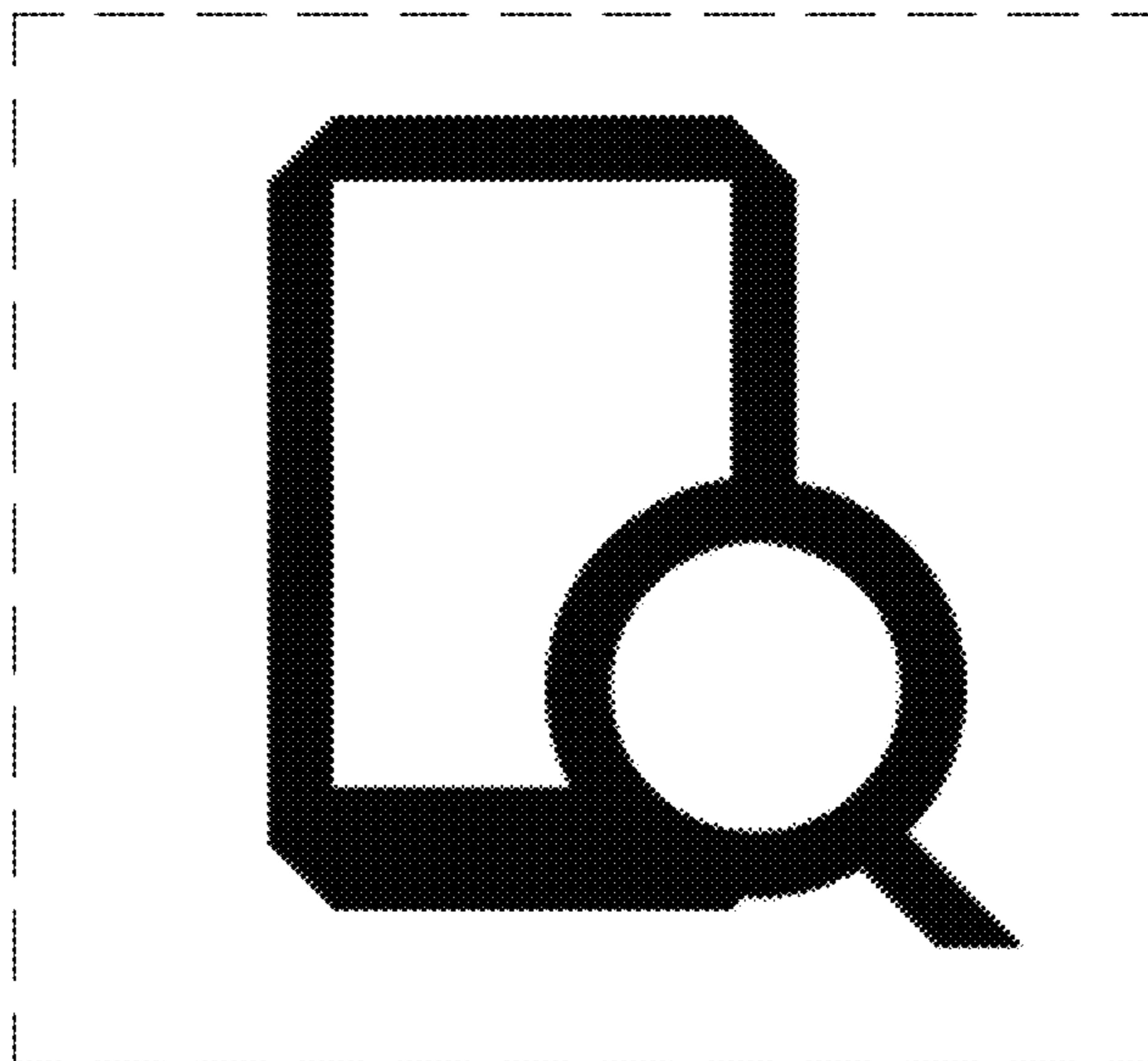


FIG. 2

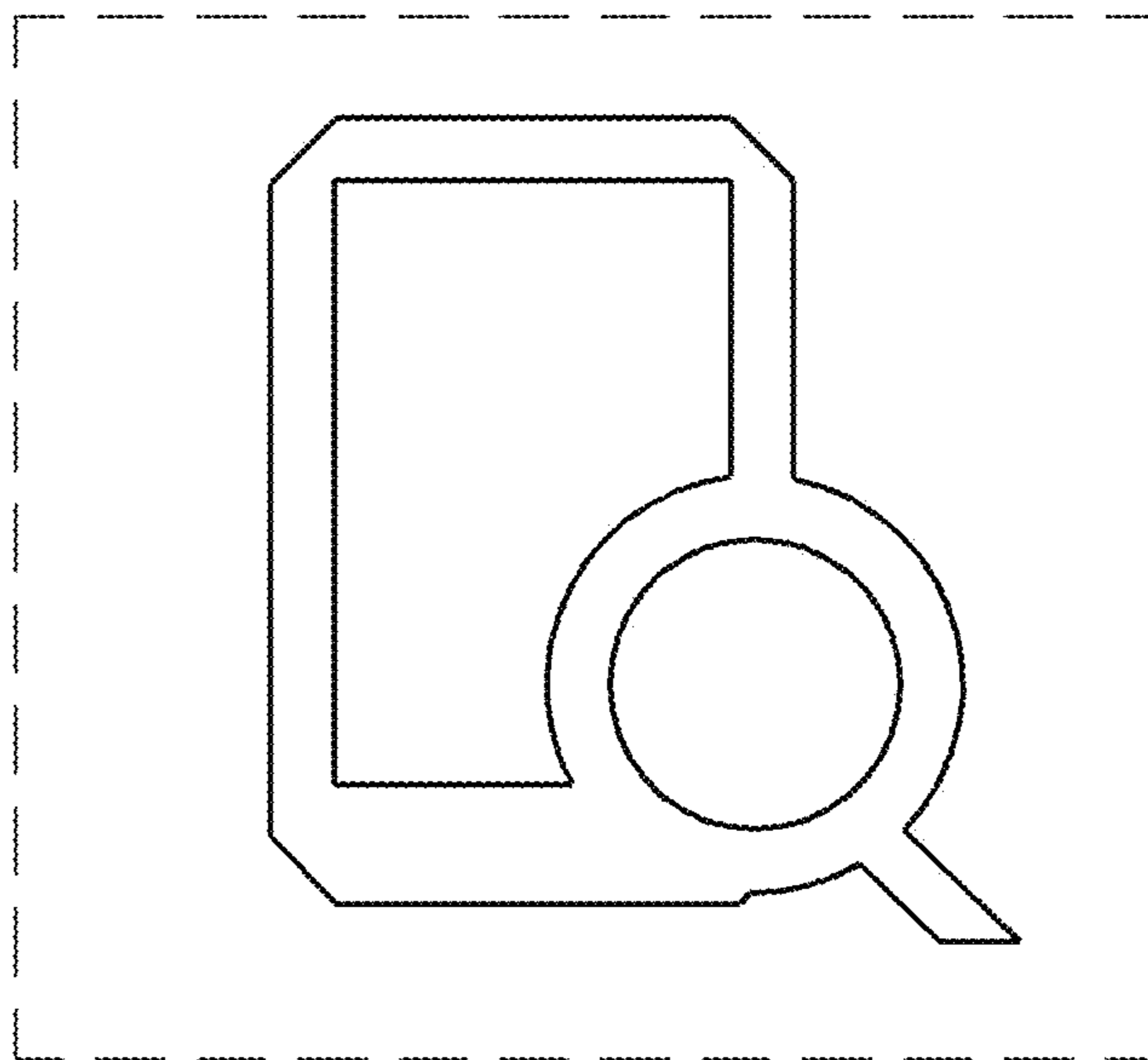


FIG. 3

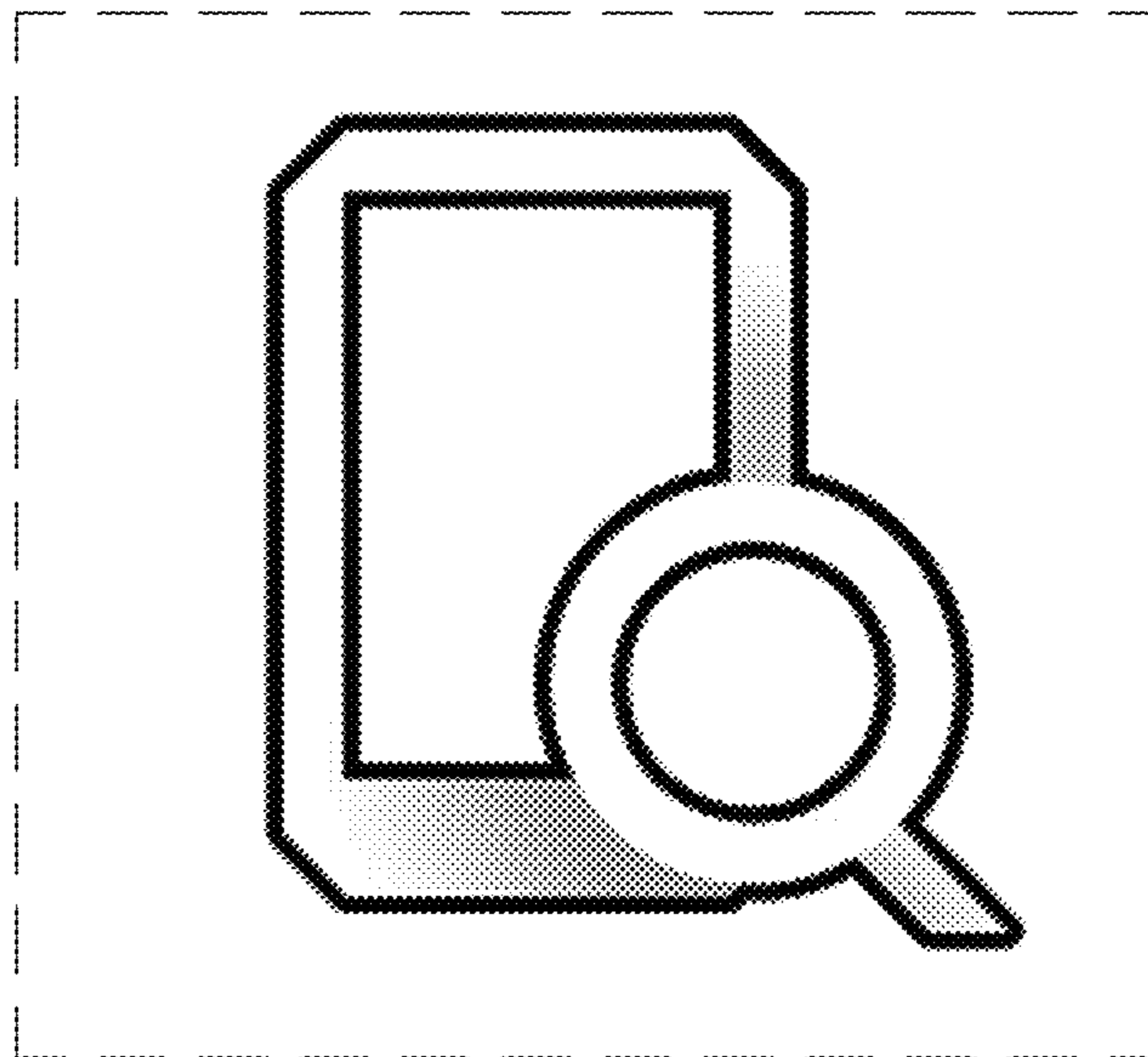


FIG. 4

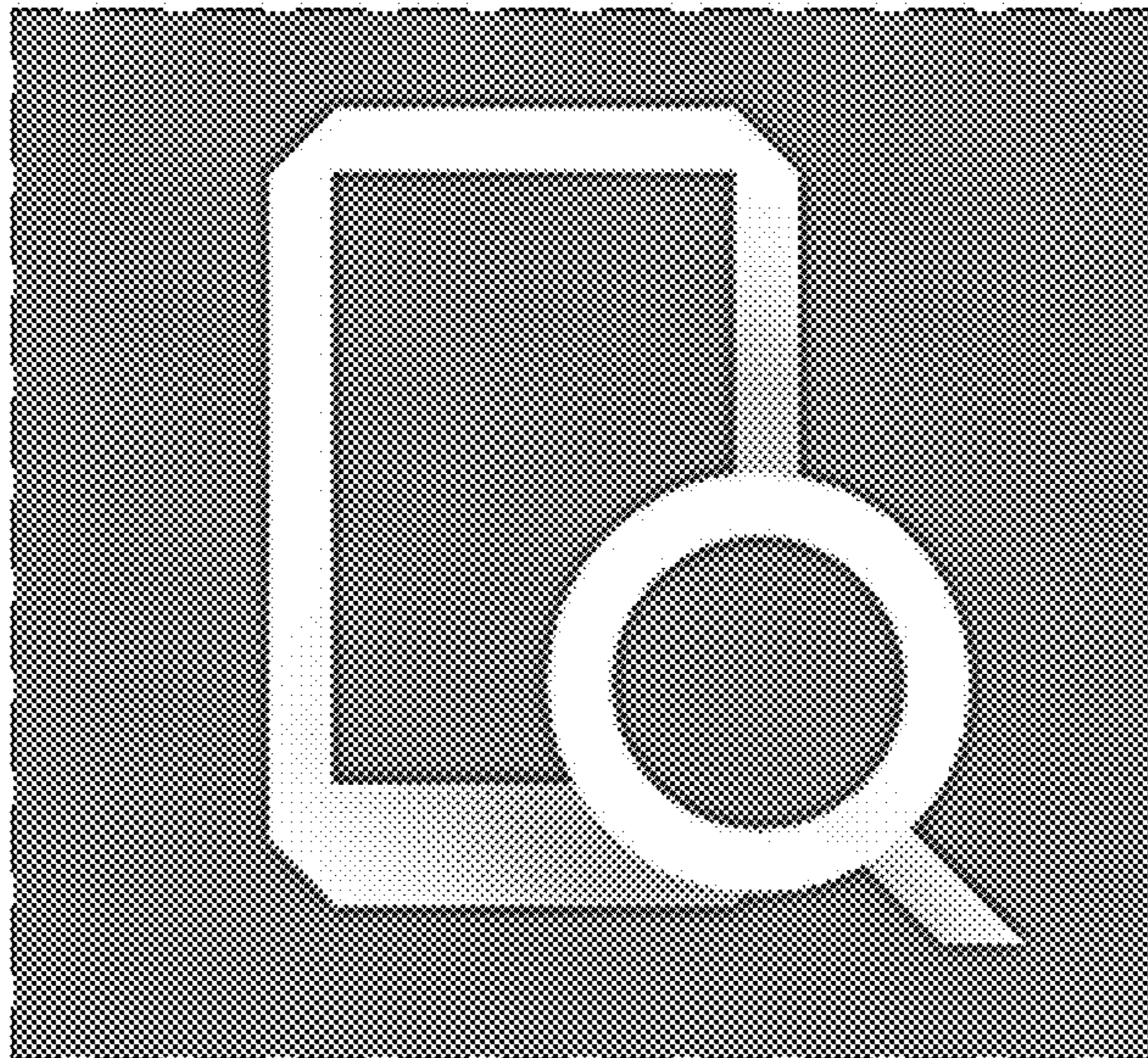


FIG. 5

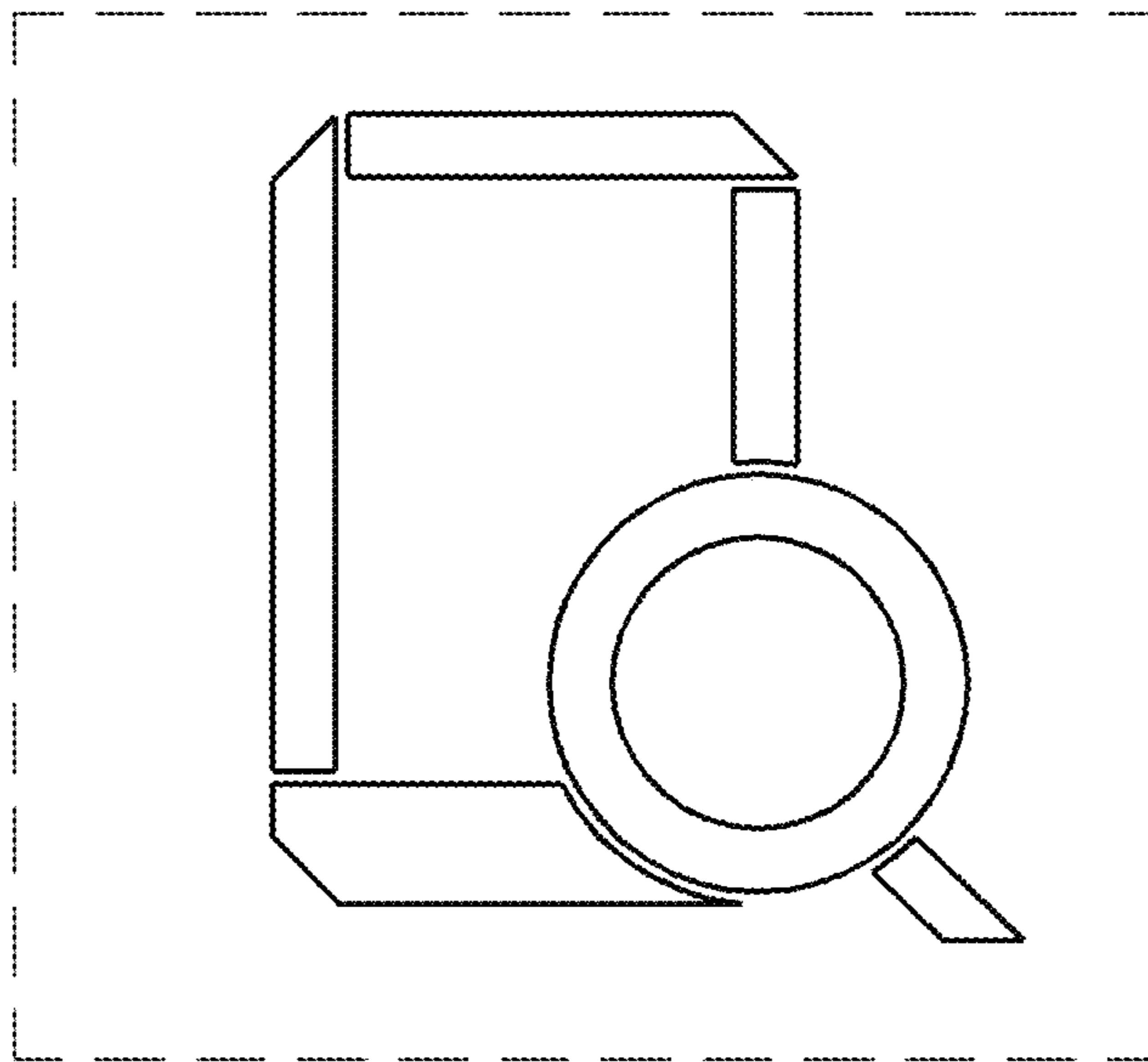


FIG. 6

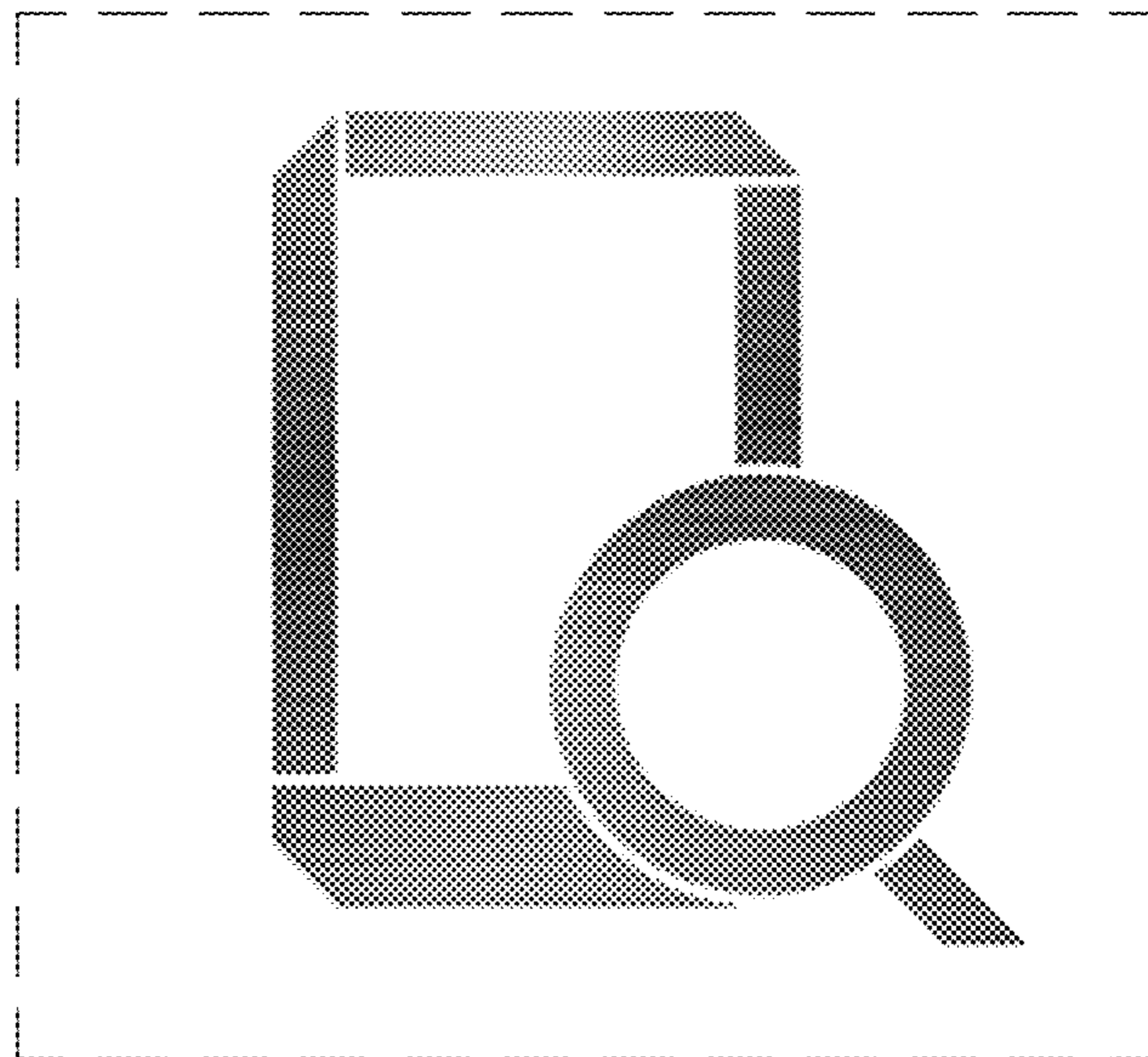


FIG. 7

