



US00D747724S

(12) **United States Design Patent**  
**Kulkarni et al.**

(10) **Patent No.:** **US D747,724 S**  
(45) **Date of Patent:** **\*\* Jan. 19, 2016**

(54) **DUAL ARM ARTICULATING MOUNT FOR AN ELECTRONIC DISPLAY**

(56) **References Cited**

(71) Applicant: **WirePath Home Systems, LLC**,  
Charlotte, NC (US)

U.S. PATENT DOCUMENTS

4,783,036 A 11/1988 Vossoughi  
4,928,914 A 5/1990 Snodell

(72) Inventors: **Amit Kulkarni**, Redmond, WA (US);  
**Bryan Thomas Marcum**, Georgetown,  
KY (US); **Kai-Sheng Cheng**, Charlotte,  
NC (US); **Christopher Glenn Franck**,  
Fort Mill, SC (US)

(Continued)

FOREIGN PATENT DOCUMENTS

EP 1 312 852 5/2003  
EP 1 471 300 10/2004

(Continued)

(73) Assignee: **Wirepath Home Systems, LLC**,  
Charlotte, NC (US)

OTHER PUBLICATIONS

(\*\*) Term: **14 Years**

SunBrite TV®, Installation Instructions All-Weather Articulating  
Wall Mount, Apr. 2012, pp. 1-11.

(Continued)

(21) Appl. No.: **29/477,250**

*Primary Examiner* — Deanna L Pratt

(22) Filed: **Dec. 20, 2013**

*Assistant Examiner* — Katie Mroczka

(51) **LOC (10) Cl.** ..... **08-07**

(74) *Attorney, Agent, or Firm* — Myers Bigel Sibley &  
Sajovec, PA

(52) **U.S. Cl.**

USPC ..... **D14/452**

(58) **Field of Classification Search**

(57) **CLAIM**

The ornamental design for a dual arm articulating mount for  
an electronic display, as shown and described.

USPC ..... D14/371–382, 125–129, 336, 337,  
D14/447–452, 492, 335, 239, 457, 439–441,  
D14/432, 251–253; D8/349, 354, 363, 373,  
D8/376, 380; D21/333; D12/415; D3/218;  
348/180, 184, 325, 739, 825

**DESCRIPTION**

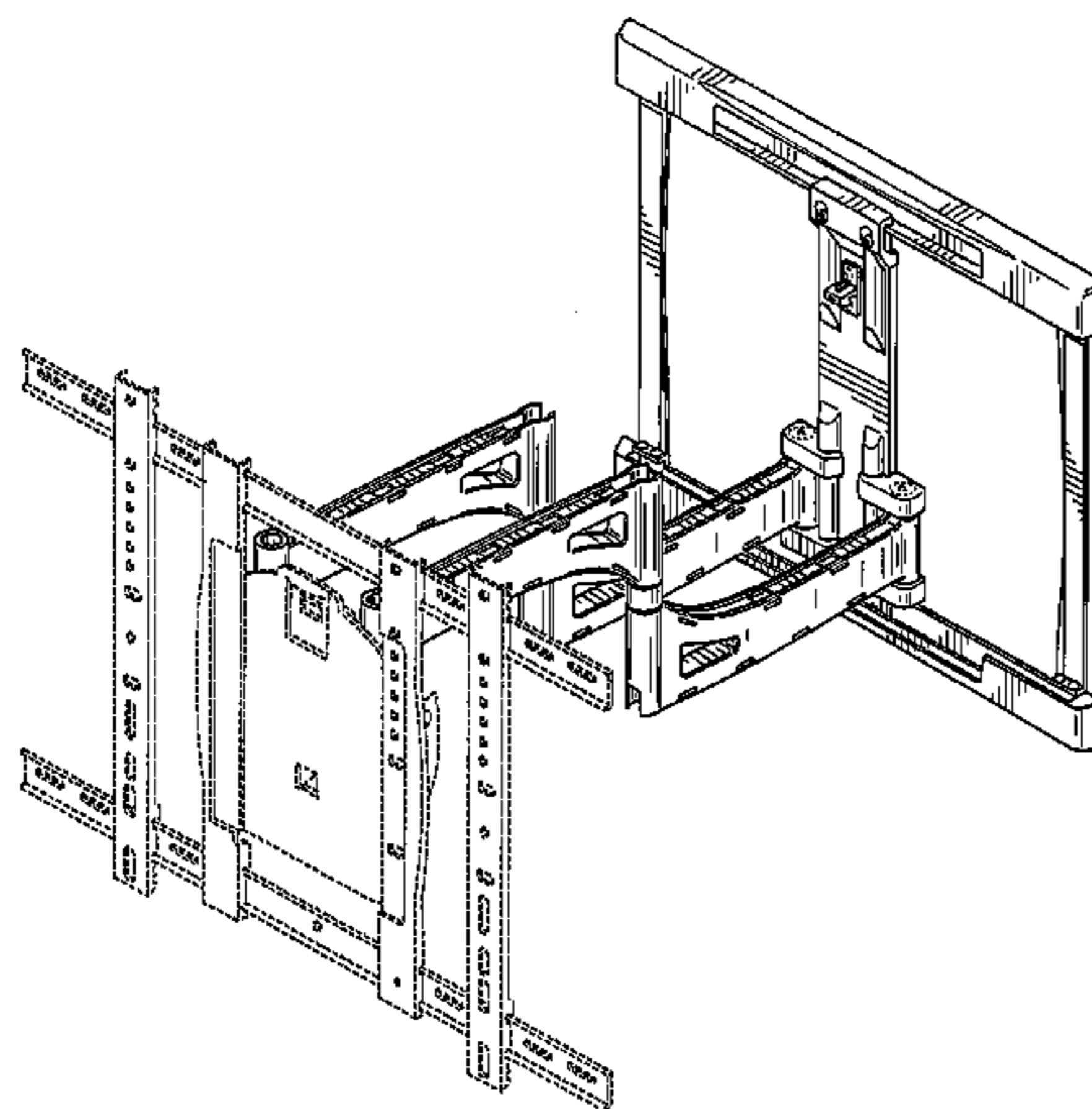
CPC ..... G06F 3/0412; G06F 3/016; G06F 3/0488;  
G06F 3/011; G06F 3/038; G06F 3/03543;  
G06F 3/0338; G06F 3/0202; G06F 3/0219;  
G06F 3/0213; G06F 1/1616; G06F 3/023;  
G06F 3/04883; G02F 1/13338; G02F 1/1313;  
G02F 1/1333; G02F 1/135; G02F 1/132;  
G02F 1/133308; G02F 1/134309; G02F  
1/13718; G09G 3/3648; G06K 15/1252;  
B41J 2/465; G03F 7/70291; G02B 27/0172;  
G02B 5/30; G02B 2027/0118; G02B 27/0101;  
F16M 13/02; F16M 13/00; F16M 11/10;  
F16M 11/04; F16M 2200/08; F16M 11/2021;  
A47B 21/0314; A47B 88/044; A47B  
2021/0335; H02G 3/126; F16B 47/00; F16B  
47/006; A47G 1/17; A47K 2201/00

FIG. 1 is a front perspective view illustrating a dual arm  
articulating mount for an electronic display, with a connected  
display plate illustrated in broken lines;  
FIG. 2 is a front perspective view illustrating the dual arm  
articulating mount for an electronic display, with the display  
plate omitted;  
FIG. 3 is a front view thereof;  
FIG. 4 is a side view thereof;  
FIG. 5 is an opposing side view thereof;  
FIG. 6 is a top view thereof; and,  
FIG. 7 is a bottom view thereof.

The broken lines in FIG. 1 illustrating the connected display  
plate represent environment that forms no part of the claimed  
design, while the additional broken lines in FIGS. 1-3, 6 and  
7 illustrate portions of the dual arm articulating mount for an  
electronic display that form no part of the claimed design.

See application file for complete search history.

**1 Claim, 7 Drawing Sheets**



(56)

References Cited

U.S. PATENT DOCUMENTS

5,934,636 A 8/1999 Cyrell  
 6,102,350 A 8/2000 Cyrell  
 6,286,794 B1 9/2001 Harbin  
 6,402,109 B1 6/2002 Dittmer  
 D488,708 S 4/2004 Lam et al.  
 D489,599 S 5/2004 Lam et al.  
 6,758,454 B2 7/2004 Smed  
 D497,537 S 10/2004 O'Keene et al.  
 6,905,101 B1 6/2005 Dittmer  
 D530,595 S 10/2006 Lam et al.  
 D539,128 S 3/2007 Ly Hau et al.  
 D540,330 S 4/2007 Eyman et al.  
 D540,332 S 4/2007 Dittmer et al.  
 D543,210 S 5/2007 Stenhouse et al.  
 D543,547 S 5/2007 Muday et al.  
 D543,548 S 5/2007 Muday et al.  
 7,246,780 B2 7/2007 Oddsen, Jr.  
 D553,125 S 10/2007 Ly Hau et al.  
 D553,135 S 10/2007 Muday et al.  
 D558,560 S 1/2008 Ciungan  
 D558,561 S 1/2008 Ciungan  
 D558,562 S 1/2008 Ciungan et al.  
 D558,563 S 1/2008 Ciungan  
 D558,564 S 1/2008 Ciungan  
 D559,087 S 1/2008 Ciungan  
 D559,088 S 1/2008 Ciungan  
 D560,221 S 1/2008 Hoglan et al.  
 D560,222 S 1/2008 Anderson et al.  
 D560,672 S \* 1/2008 Muday et al. .... D14/451  
 D560,673 S 1/2008 Muday et al.  
 D562,113 S 2/2008 Ciungan et al.  
 7,331,550 B2 2/2008 Gillespie et al.  
 D570,355 S 6/2008 Muday et al.  
 D570,852 S 6/2008 Muday et al.  
 D580,743 S 11/2008 Short  
 D581,915 S 12/2008 Sculler et al.  
 D585,449 S \* 1/2009 Anderson et al. .... D14/451  
 7,472,458 B2 1/2009 Oddsen, Jr.  
 D587,258 S 2/2009 Vaglica et al.  
 7,487,943 B1 2/2009 Gillespie  
 D587,716 S \* 3/2009 Hau et al. .... D14/452  
 7,513,469 B1 4/2009 Ciungan  
 7,513,474 B2 4/2009 Anderson et al.  
 D593,080 S 5/2009 Russell et al.  
 D593,104 S 5/2009 Gillespie  
 D595,277 S 6/2009 Bremmon et al.  
 D595,299 S 6/2009 Bures  
 D595,702 S 7/2009 Bremmon et al.  
 D595,723 S 7/2009 Bures et al.  
 D596,189 S 7/2009 Bures et al.  
 D602,923 S 10/2009 Skull  
 D603,852 S 11/2009 Le  
 D605,185 S \* 12/2009 Russell et al. .... D14/239  
 7,641,163 B2 1/2010 O'Keene  
 D610,437 S 2/2010 Bremmon et al.  
 D611,479 S 3/2010 Hau et al.  
 D611,480 S 3/2010 Hau et al.  
 D612,182 S 3/2010 Bremmon et al.  
 D613,277 S 4/2010 Skull  
 7,738,245 B1 6/2010 Stifal  
 7,753,332 B2 7/2010 O'Keene  
 D620,943 S \* 8/2010 Grey et al. .... D14/452  
 D621,390 S 8/2010 Skull et al.  
 D621,820 S \* 8/2010 Liang .... D14/239  
 D623,177 S \* 9/2010 Molter et al. .... D14/239  
 D623,634 S 9/2010 Molter et al.  
 D623,635 S 9/2010 Molter et al.  
 D623,654 S 9/2010 Hau et al.  
 D624,061 S 9/2010 Smith et al.  
 7,793,903 B2 9/2010 Dittmer et al.  
 D625,300 S 10/2010 Stifal et al.  
 D627,579 S 11/2010 Gillespie  
 D627,767 S 11/2010 Molter et al.  
 D627,787 S \* 11/2010 Grey et al. .... D14/452  
 7,823,849 B2 11/2010 Dittmer et al.

7,832,700 B2 11/2010 Ciungan  
 D628,459 S 12/2010 Minkley et al.  
 D630,197 S 1/2011 Molter et al.  
 D630,623 S 1/2011 Molter et al.  
 D631,038 S 1/2011 Molter et al.  
 7,866,618 B2 1/2011 Grabania et al.  
 7,866,621 B1 1/2011 Walters  
 7,866,622 B2 1/2011 Dittmer  
 D631,874 S 2/2011 Molter et al.  
 D631,876 S 2/2011 Molter et al.  
 D632,287 S 2/2011 Molter et al.  
 7,891,620 B2 2/2011 Grabania et al.  
 D633,484 S 3/2011 Molter et al.  
 D634,311 S 3/2011 Stifal et al.  
 D634,328 S \* 3/2011 Grey et al. .... D14/452  
 D634,607 S 3/2011 Molter et al.  
 D634,739 S 3/2011 Molter et al.  
 D635,130 S 3/2011 Skull et al.  
 D635,966 S 4/2011 Molter et al.  
 D636,765 S 4/2011 Molter et al.  
 D638,023 S 5/2011 Skull et al.  
 D638,687 S 5/2011 Minkley et al.  
 7,950,613 B2 5/2011 Anderson et al.  
 D640,672 S 6/2011 Molter et al.  
 D640,673 S 6/2011 Molter et al.  
 D640,675 S 6/2011 Molter et al.  
 7,954,780 B2 6/2011 Dittmer  
 D641,369 S \* 7/2011 Skull et al. .... D14/452  
 D641,721 S 7/2011 Moscovitch et al.  
 7,975,976 B2 7/2011 Wohlford  
 7,984,888 B2 7/2011 Park  
 7,984,889 B2 7/2011 Whitley et al.  
 D642,583 S \* 8/2011 Dittmer et al. .... D14/452  
 D643,421 S 8/2011 Russell et al.  
 D643,835 S 8/2011 Molter et al.  
 D646,685 S 10/2011 Skull et al.  
 D650,373 S \* 12/2011 Stemple .... D14/239  
 D650,774 S 12/2011 Molter  
 D652,030 S 1/2012 Dolack  
 D652,423 S 1/2012 Sapper  
 D654,065 S 2/2012 Stemple  
 D656,138 S 3/2012 Wylie  
 D656,493 S 3/2012 Dolack  
 D659,689 S 5/2012 Molter  
 D659,698 S 5/2012 Molter  
 D659,699 S 5/2012 Conner  
 D662,103 S 6/2012 Brandt  
 D662,104 S 6/2012 Brandt  
 D663,308 S 7/2012 Wylie  
 D663,736 S 7/2012 Stanek et al.  
 D666,180 S 8/2012 Molter et al.  
 D666,207 S 8/2012 Brandt  
 8,245,990 B2 8/2012 Huang  
 D667,391 S 9/2012 Dolack  
 D674,783 S 1/2013 Dolack  
 8,693,172 B2 \* 4/2014 Russell et al. .... 361/679.01  
 2009/0084918 A1 4/2009 Pfister et al.  
 2010/0001153 A1 1/2010 Stenhouse et al.  
 2010/0091438 A1 4/2010 Dittmer  
 2010/0208418 A1 8/2010 Russell et al.  
 2010/0219315 A1 9/2010 Muday et al.  
 2011/0002110 A1 1/2011 Skull  
 2011/0019344 A1 1/2011 Russell et al.  
 2011/0051435 A1 3/2011 Pfund et al.  
 2011/0084187 A1 4/2011 Muday et al.  
 2013/0187019 A1 7/2013 Dittmer et al.

FOREIGN PATENT DOCUMENTS

GB 2 358 345 7/2001  
 WO WO 2009/089169 7/1999  
 WO WO 2009/012379 1/2009

OTHER PUBLICATIONS

DigiCom Digital Necessities®, Plasma/LCD Mount, available as of the filing date, 5 pages.  
 Digicom, Digicom PMA-771 Articulating Arms Dual Stud Wall Mount for 40 to 60 Screens, available as of the filing date, 3 pages.

(56)

**References Cited**

OTHER PUBLICATIONS

Pyle® Home Multifunctional wall mount Installation Guide, www.pyleaudio.com, available as of the filing date, pp. 1-12.

Chief® iC Series, iCLPFA3 Installation Instructions, Apr. 2010, pp.

1-18.

\* cited by examiner

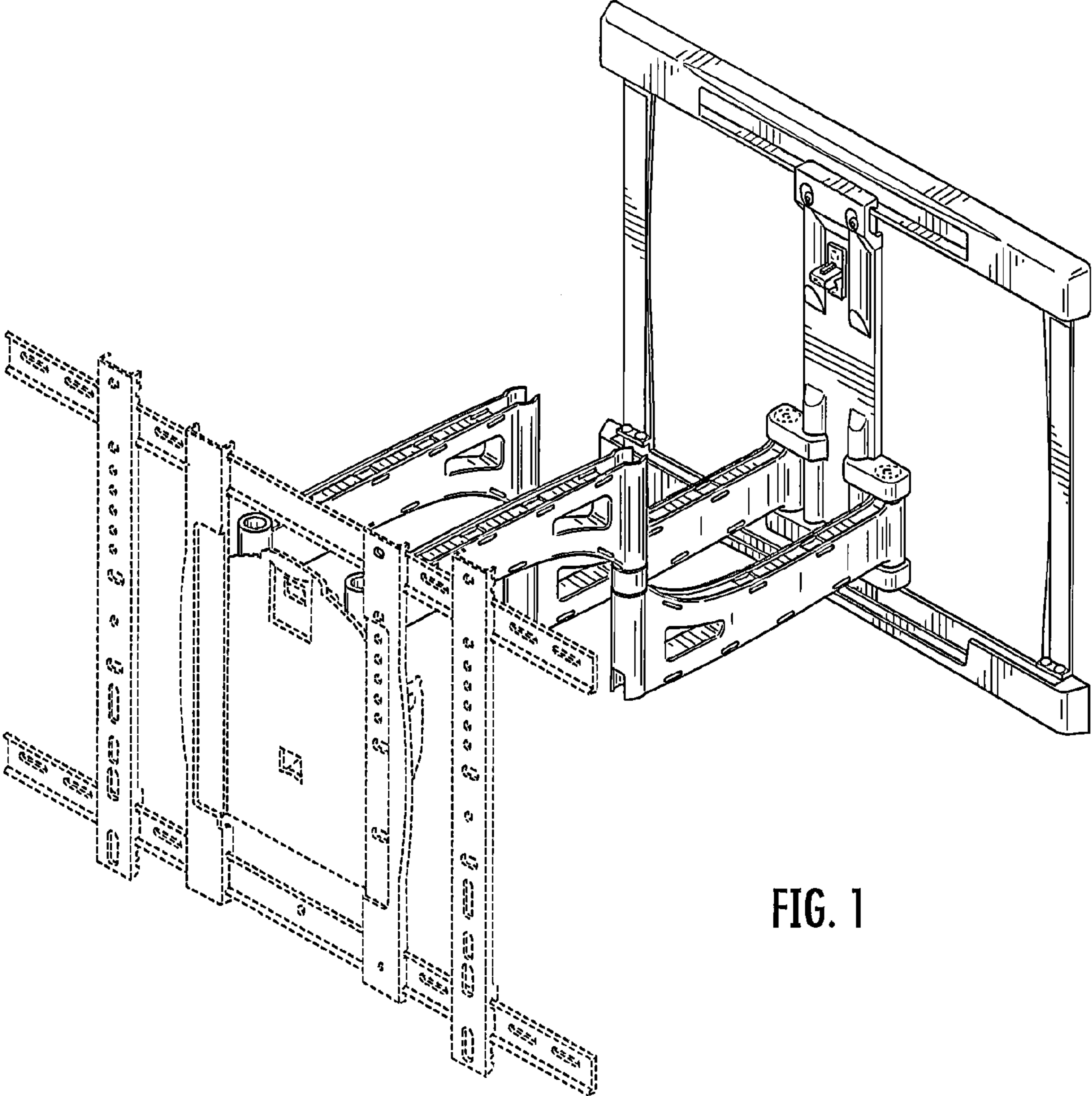


FIG. 1

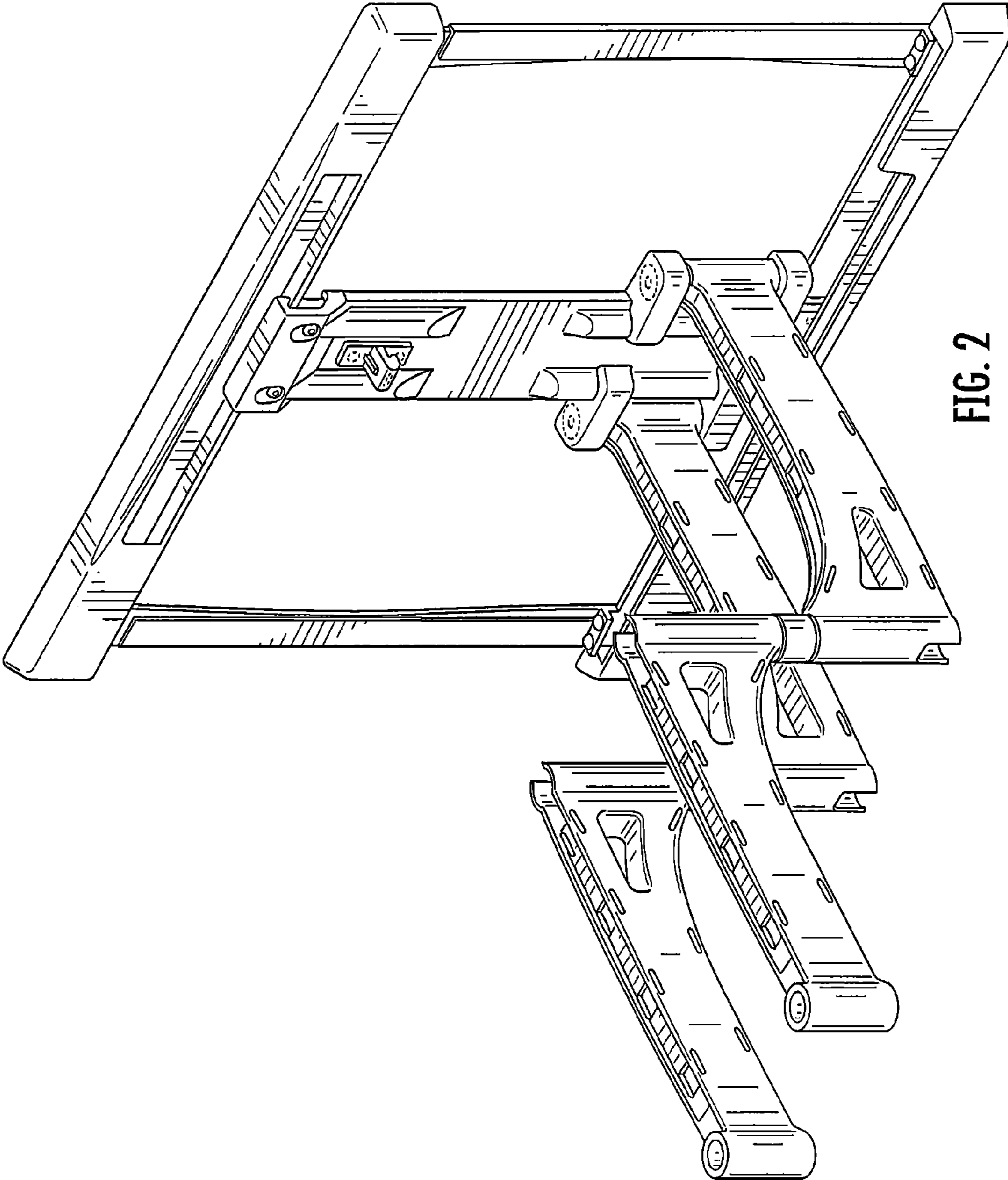


FIG. 2

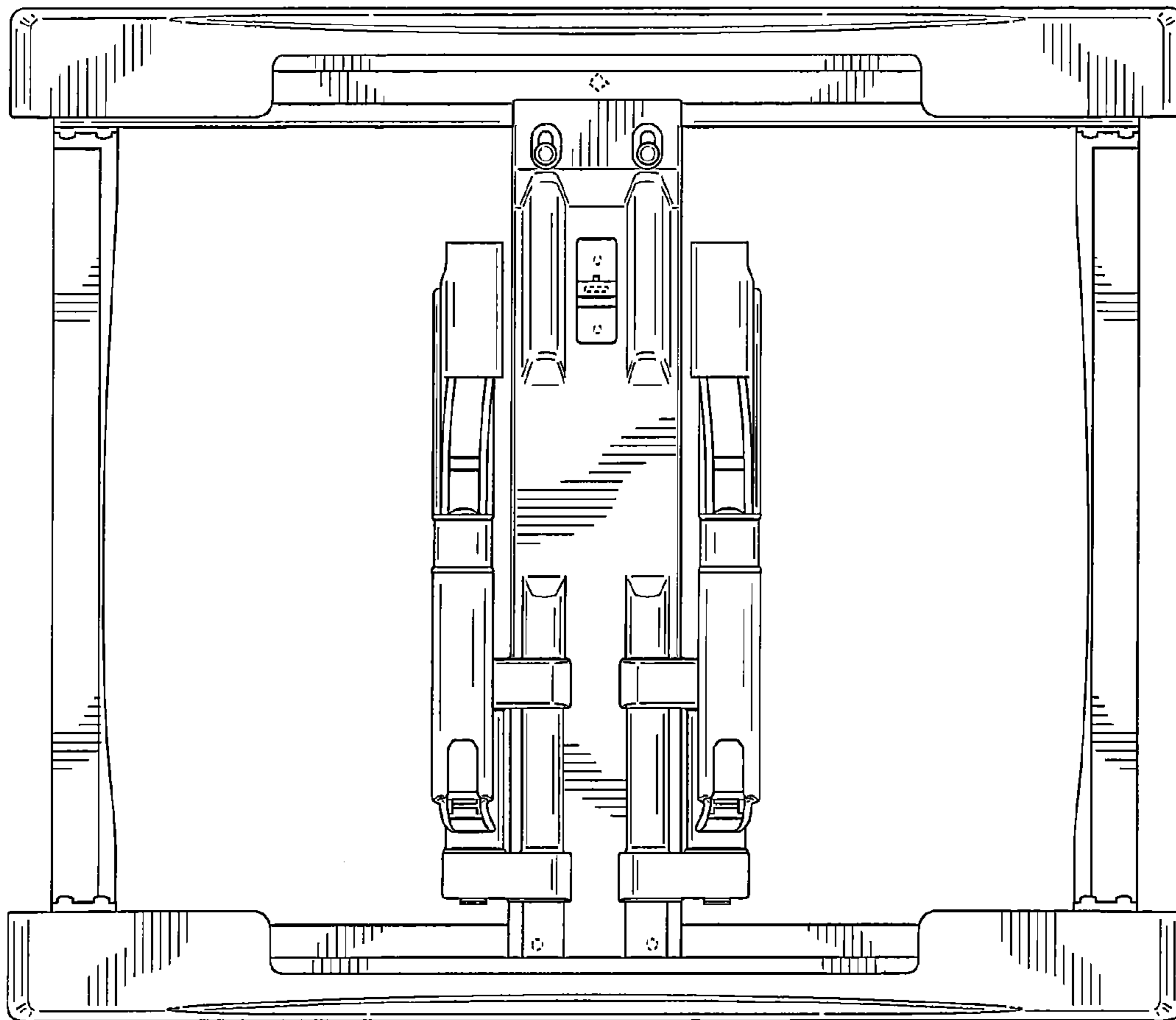


FIG. 3

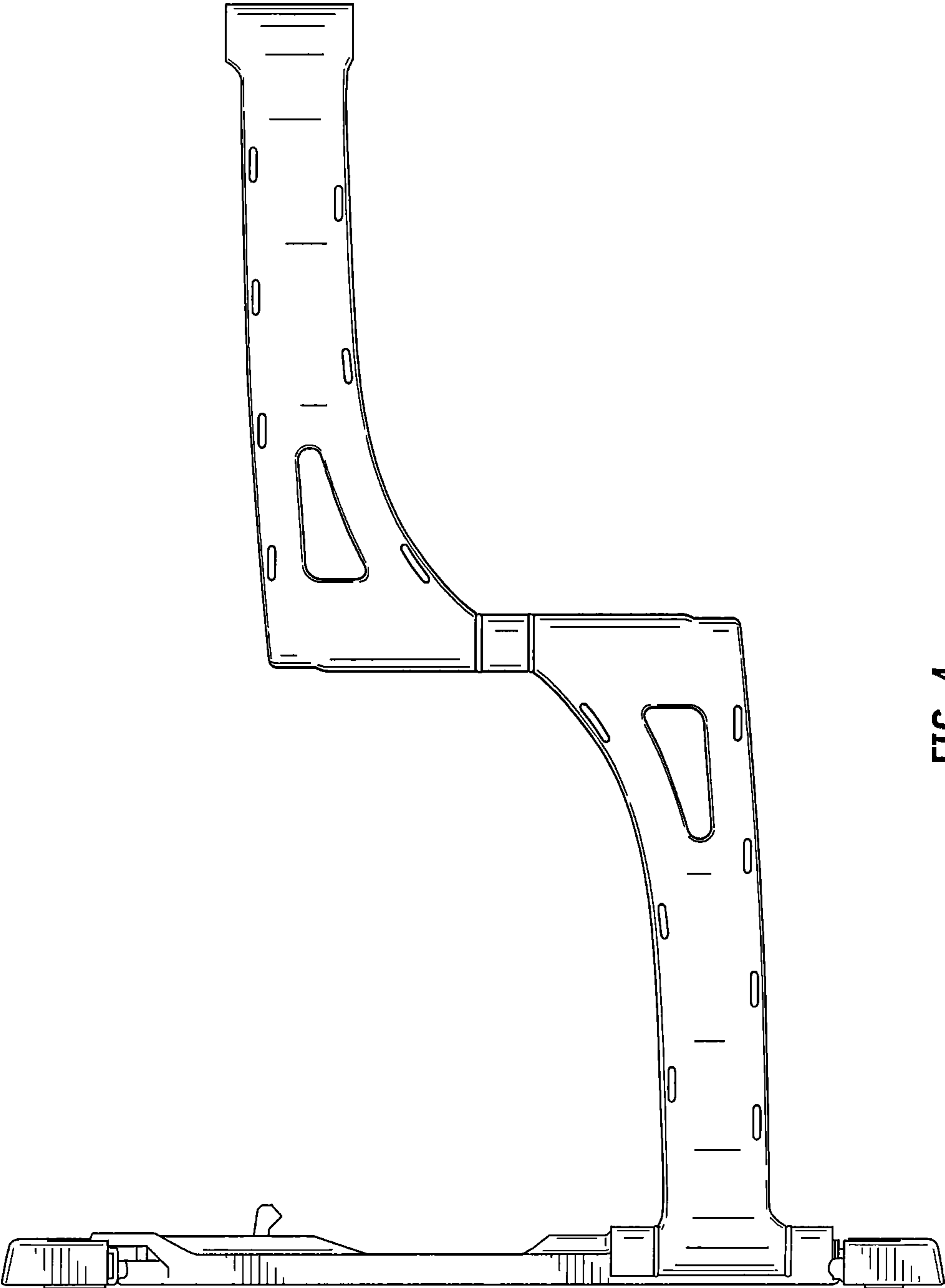


FIG. 4

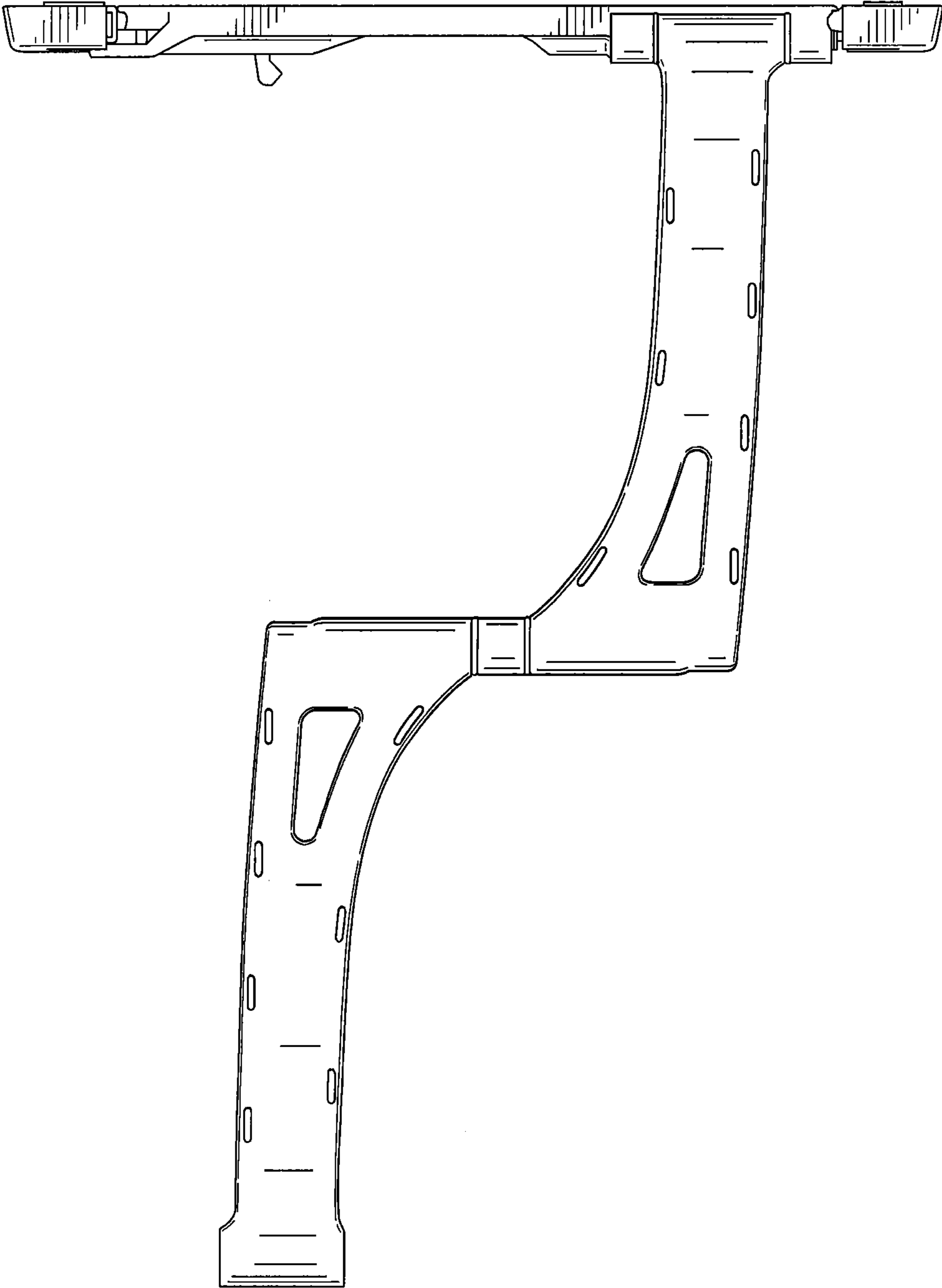


FIG. 5



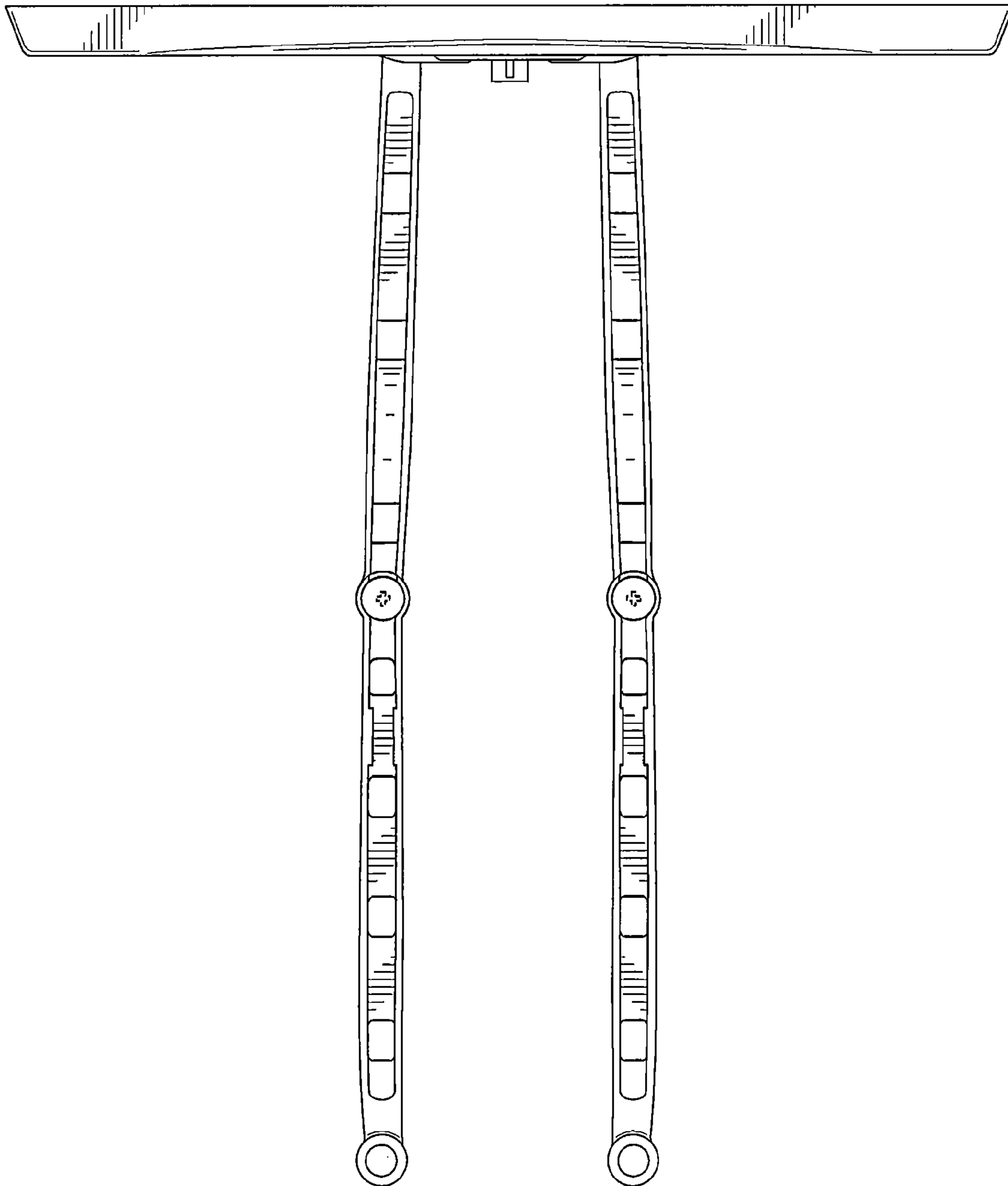


FIG. 6

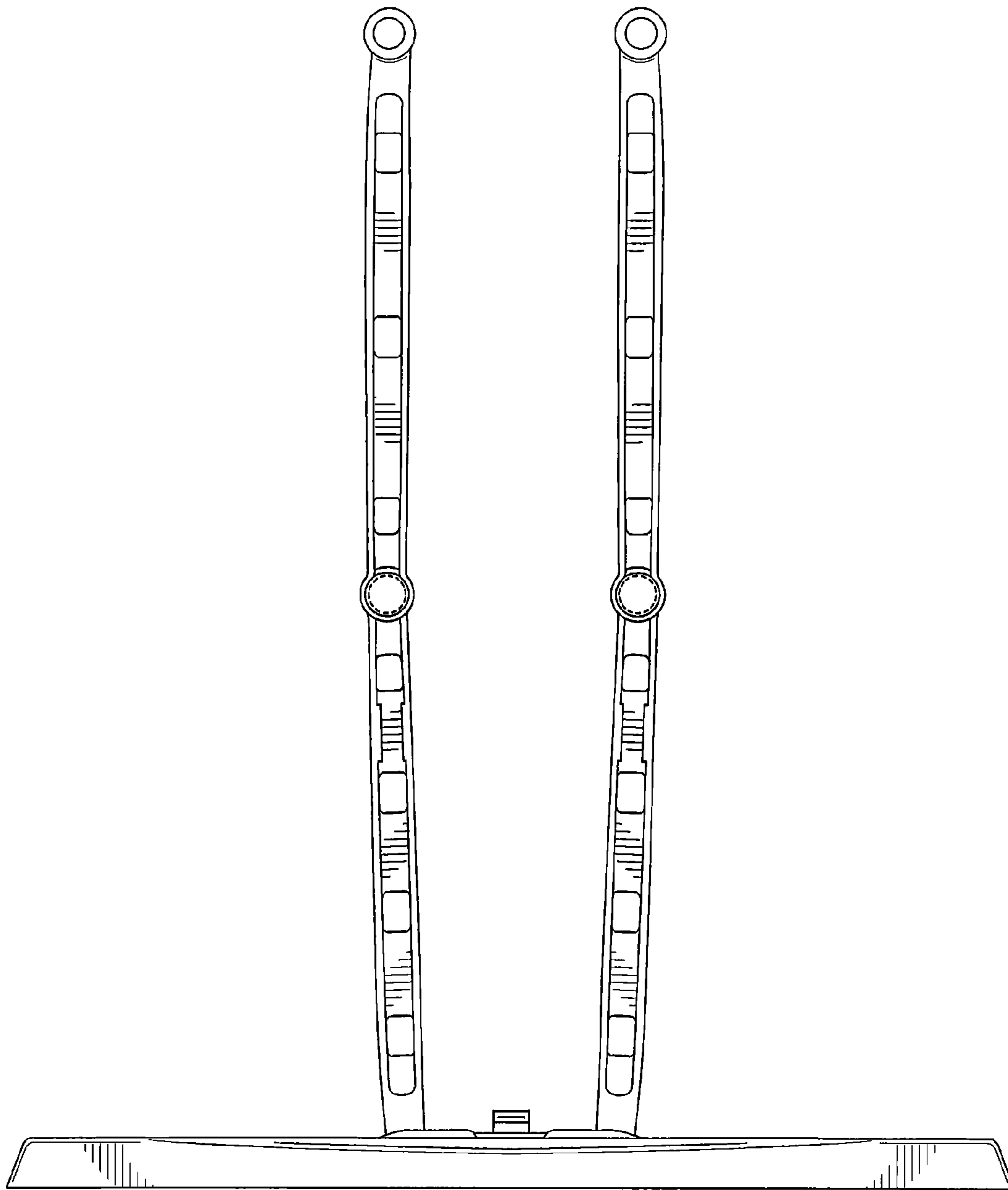


FIG. 7

UNITED STATES PATENT AND TRADEMARK OFFICE  
**CERTIFICATE OF CORRECTION**

PATENT NO. : D747,724 S  
APPLICATION NO. : 29/477250  
DATED : January 19, 2016  
INVENTOR(S) : Kulkarni et al.

Page 1 of 1

It is certified that error appears in the above-identified patent and that said Letters Patent is hereby corrected as shown below:

On Title Page:

Item (71), Applicant: Please correct “WirePath Home Systems, LLC Charlotte, NC (US)”  
to read -- WirePath Home Systems, LLC d/b/a SnapAV Charlotte, NC (US) --

Item (73), Assignee: Please correct “WirePath Home Systems, LLC Charlotte, NC (US)”  
to read -- WirePath Home Systems, LLC d/b/a SnapAV Charlotte, NC (US) --

Signed and Sealed this  
Ninth Day of August, 2016



Michelle K. Lee  
*Director of the United States Patent and Trademark Office*