



US00D747723S

(12) **United States Design Patent**
Kim et al.

(10) **Patent No.:** **US D747,723 S**
(45) **Date of Patent:** **** Jan. 19, 2016**

(54) **COMPONENT OF AN ELECTRONIC DEVICE**

(56)

References Cited

(71) Applicant: **Samsung Electronics Co., Ltd.**,
Suwon-si, Gyeonggi-do (KR)
(72) Inventors: **Jong-Sik Kim**, Suwon-si (KR);
Hyeon-Joong Kim, Anyang-si (KR);
Ju-Ho Yi, Suwon-si (KR)
(73) Assignee: **SAMSUNG ELECTRONICS CO.,**
LTD. (KR)

(**) Term: **14 Years**

(21) Appl. No.: **29/455,041**

(22) Filed: **May 16, 2013**

(51) **LOC (10) Cl.** **14-02**

(52) **U.S. Cl.**
USPC **D14/439**

(58) **Field of Classification Search**
USPC D14/341-347, 424, 425, 432-453, 464,
D14/468, 469, 471, 496, 511, 138 AA,
D14/138 AD, 138 C, 138 G, 203.1-203.8,
D14/217, 238.1, 248, 250, 257, 299;
361/679.01, 679.02, 679.03, 679.3,
361/679.55, 679.56; 455/550.1, 556.1,
455/556.2, 575.1, 575.3-575.5, 575.8,
455/90.3; 343/702; D13/147
CPC H05K 1/00; H05K 1/14; H05K 1/181;
H05K 5/0004; H05K 5/0017; H04M 220/50;
H04M 2250/00

See application file for complete search history.

U.S. PATENT DOCUMENTS

D469,772	S	*	2/2003	Nishio et al.	D14/433
D499,731	S	*	12/2004	Fan	D14/433
D548,739	S	*	8/2007	Nakamura et al.	D14/433
D559,255	S	*	1/2008	Nishio et al.	D14/433
7,660,560	B2	*	2/2010	Zuo et al.	455/90.3
D677,664	S	*	3/2013	Akana et al.	D14/439
D697,918	S	*	1/2014	Akana et al.	D14/439
D717,800	S	*	11/2014	Akana et al.	D14/432
D718,767	S	*	12/2014	Akana et al.	D14/439
D723,567	S	*	3/2015	Akana et al.	D14/439
2009/0256759	A1	*	10/2009	Hill et al.	343/702
2010/0061055	A1	*	3/2010	Dabov et al.	361/679.56
2011/0151945	A1	*	6/2011	Jiang et al.	455/575.1

* cited by examiner

Primary Examiner — Austin Murphy

(74) *Attorney, Agent, or Firm* — Cantor Colburn LLP

(57) **CLAIM**

The ornamental design for a component of an electronic device, as shown and described.

DESCRIPTION

FIG. 1 is a rear perspective view of a component of an electronic device showing our new design;
FIG. 2 is a front view thereof;
FIG. 3 is a rear view thereof;
FIG. 4 is a left side view thereof;
FIG. 5 is a right side view thereof;
FIG. 6 is a top view thereof; and,
FIG. 7 is a bottom view thereof.

1 Claim, 6 Drawing Sheets

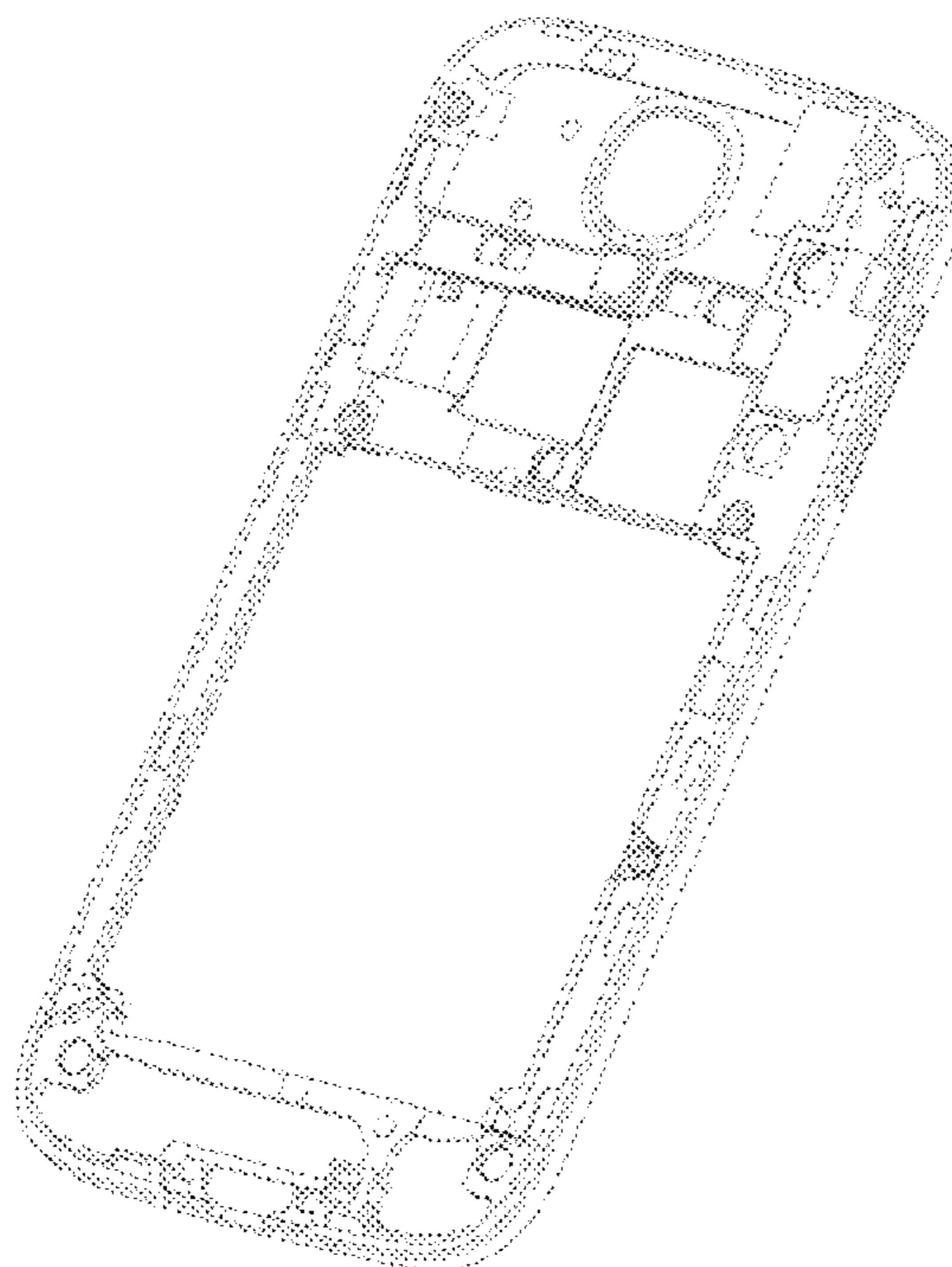
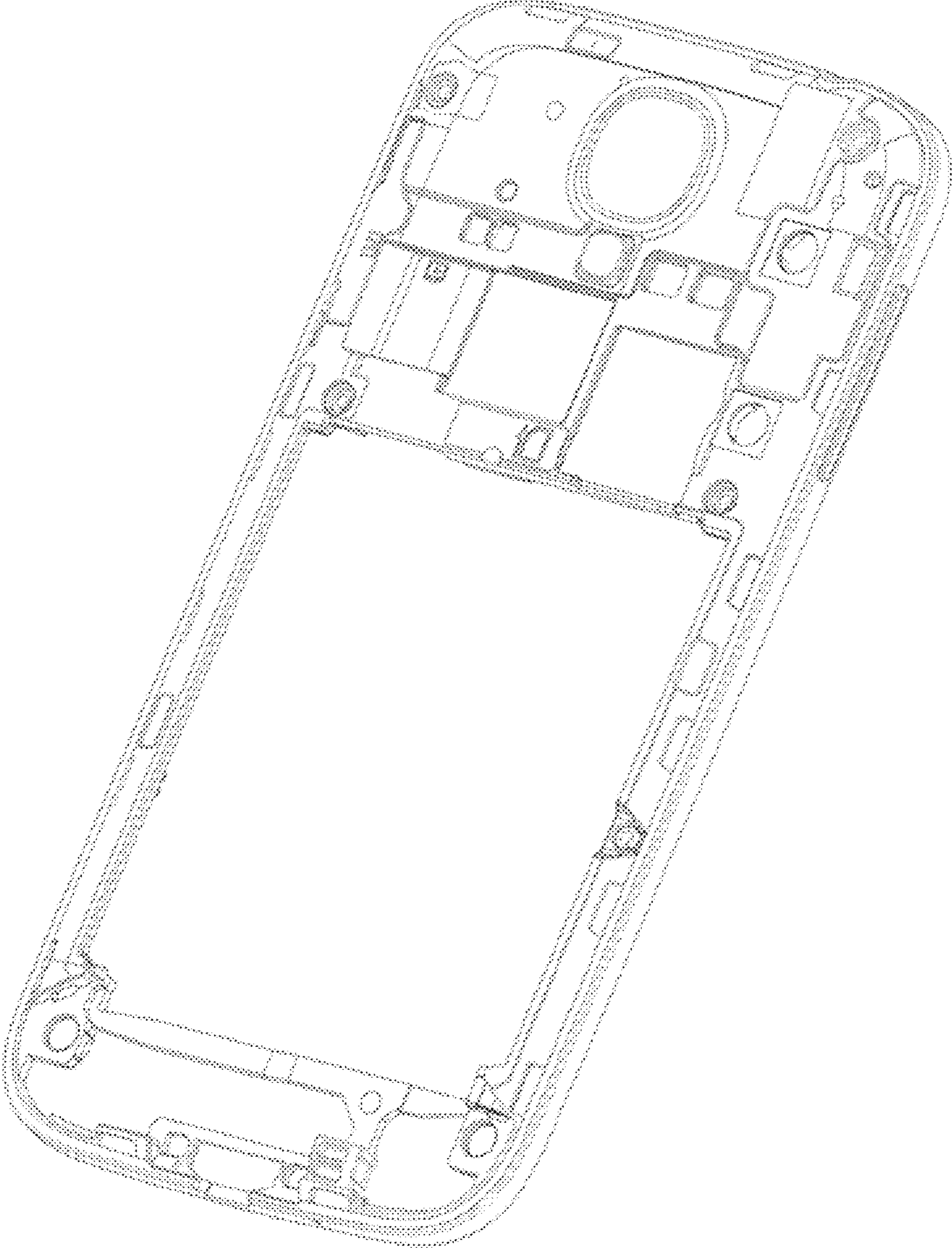


Fig.1



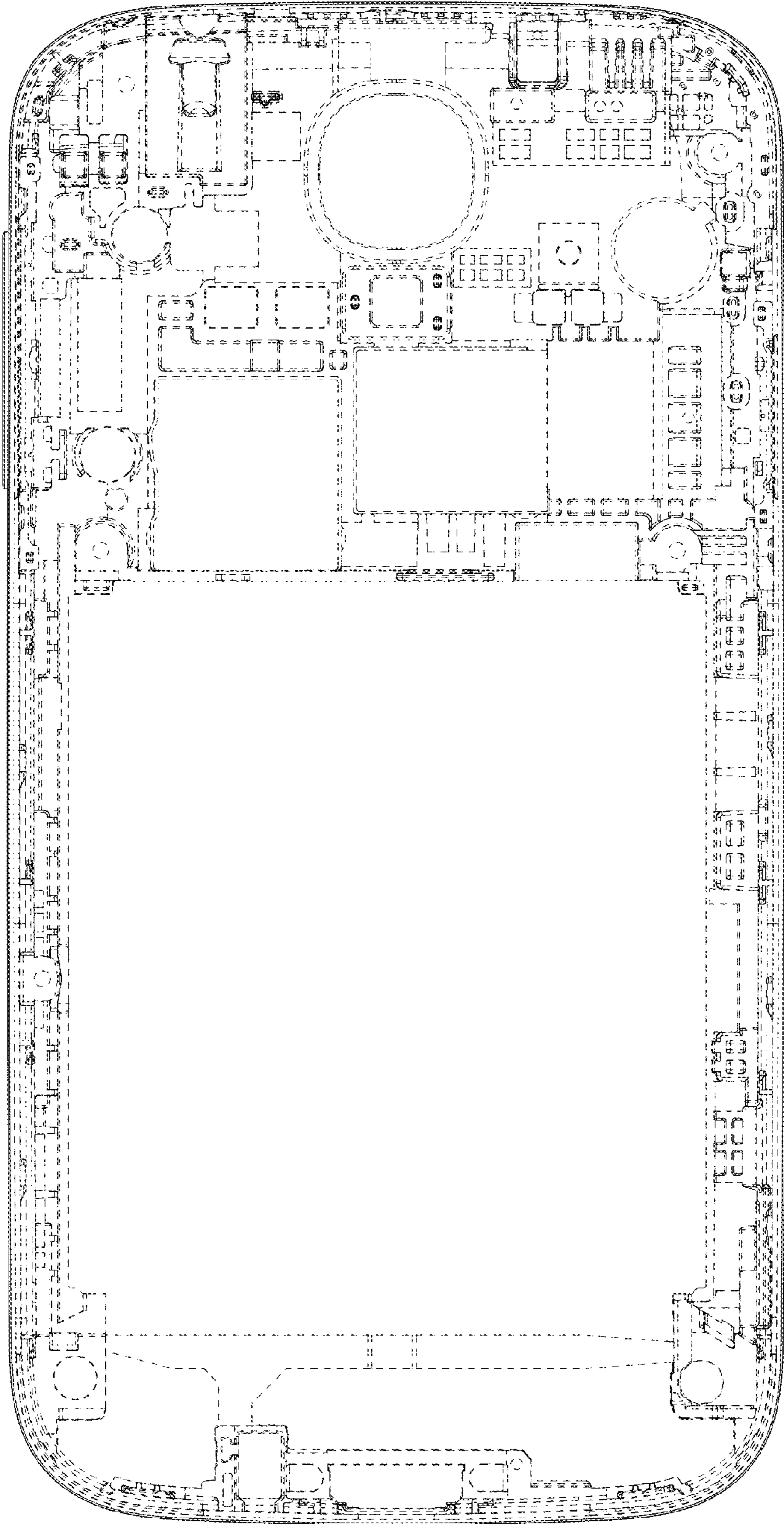


FIG.2

Fig.3

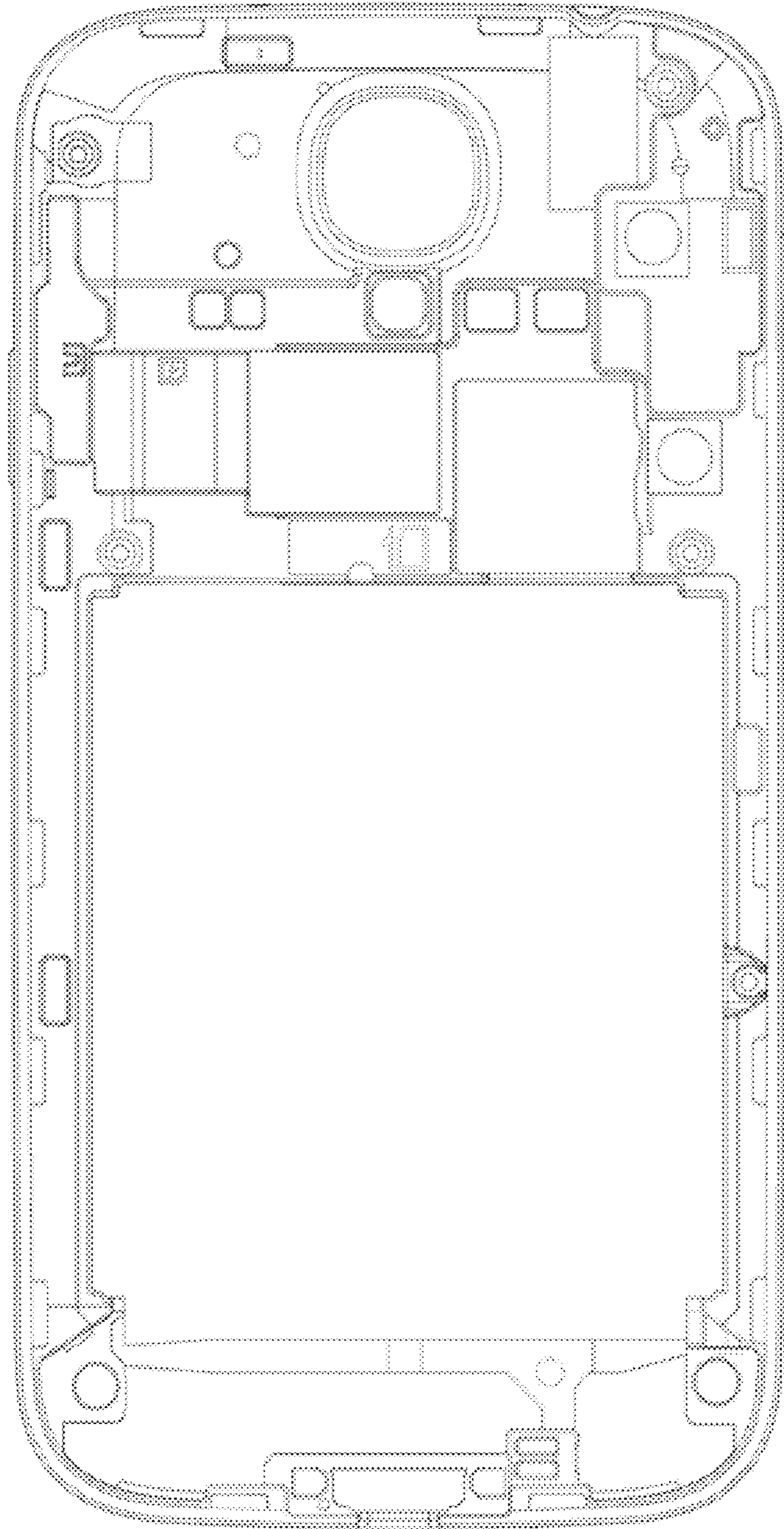


Fig.4

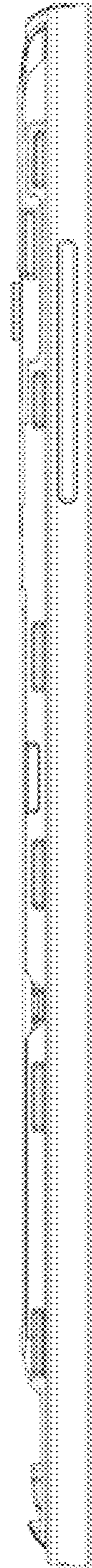


Fig.5

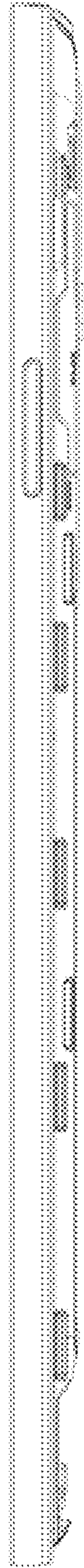


Fig.6

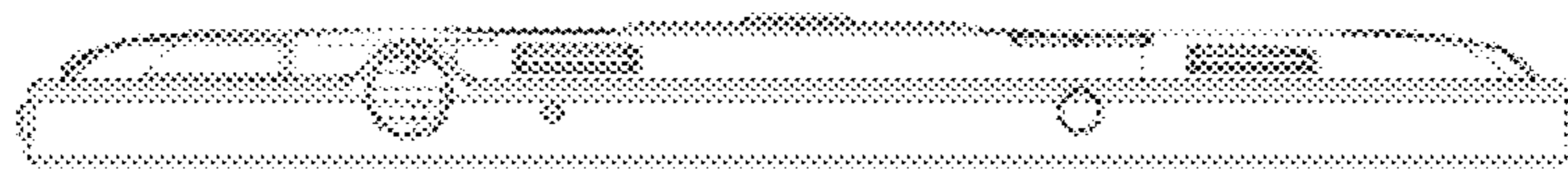


Fig.7

