



US00D747722S

(12) **United States Design Patent**  
**Webb**

(10) **Patent No.:** **US D747,722 S**

(45) **Date of Patent:** **\*\* Jan. 19, 2016**

(54) **INTEGRATED USB EXTENSION CORD**

(71) Applicant: **Kevin Webb**, St. Petersburg, FL (US)

(72) Inventor: **Kevin Webb**, St. Petersburg, FL (US)

(\*\*) Term: **15 Years**

(21) Appl. No.: **29/537,608**

(22) Filed: **Aug. 27, 2015**

(51) **LOC (10) Cl.** ..... **14-02**

(52) **U.S. Cl.**  
USPC ..... **D14/433**

(58) **Field of Classification Search**

USPC ..... D14/356–358, 383–385, 420, 426, 427,  
D14/432–439, 447, 453, 454, 217, 253,  
D14/299; D13/107, 108, 133, 146, 147,  
D13/152, 154, 156, 158, 162, 162.1, 168,  
D13/173, 177, 153; 439/131, 172–174, 373,  
439/378, 607.41, 607.55, 607.34, 40;  
361/679.08, 679.56, 679.21, 679.4;  
174/359

CPC ..... H01R 24/64; H01R 24/62; H01R 12/714;  
H01R 13/506; H01R 13/6658

See application file for complete search history.

(56) **References Cited**

**U.S. PATENT DOCUMENTS**

D259,637 S 6/1981 Martin et al.  
5,243,510 A 9/1993 Cheney, II  
D407,373 S \* 3/1999 Byrne ..... D13/139.4

(Continued)

**OTHER PUBLICATIONS**

7 Port High Speed USB External Multi Expansion Hub with On/Off Switch, www.ebay.com, last accessed Jul. 17, 2015.

(Continued)

*Primary Examiner* — Austin Murphy

(74) *Attorney, Agent, or Firm* — Larson & Larson, P.A.; Justin P. Miller; Patrick A. Reid

(57) **CLAIM**

I claim the ornamental design for an integrated USB extension cord, as shown and described.

**DESCRIPTION**

FIG. 1 is a perspective view of the first embodiment of an integrated USB extension cord;

FIG. 2 is a top view of the first embodiment;

FIG. 3 is a bottom view of the first embodiment;

FIG. 4 is a left-side view of the first embodiment;

FIG. 5 is a right-side view of the first embodiment;

FIG. 6 is a front view of the first embodiment;

FIG. 7 is a back view of the first embodiment;

FIG. 8 is a perspective view of the second embodiment of an integrated USB extension cord;

FIG. 9 is top view of the second embodiment;

FIG. 10 is bottom view of the second embodiment;

FIG. 11 is a left-side view of the second embodiment;

FIG. 12 is a right-side view of the second embodiment;

FIG. 13 is a front view of the second embodiment;

FIG. 14 is a back view of the second embodiment;

FIG. 15 is a perspective view of the third embodiment of an integrated USB extension cord;

FIG. 16 is a top view of the third embodiment;

FIG. 17 is a bottom view of the third embodiment;

FIG. 18 is a left-side view of the third embodiment;

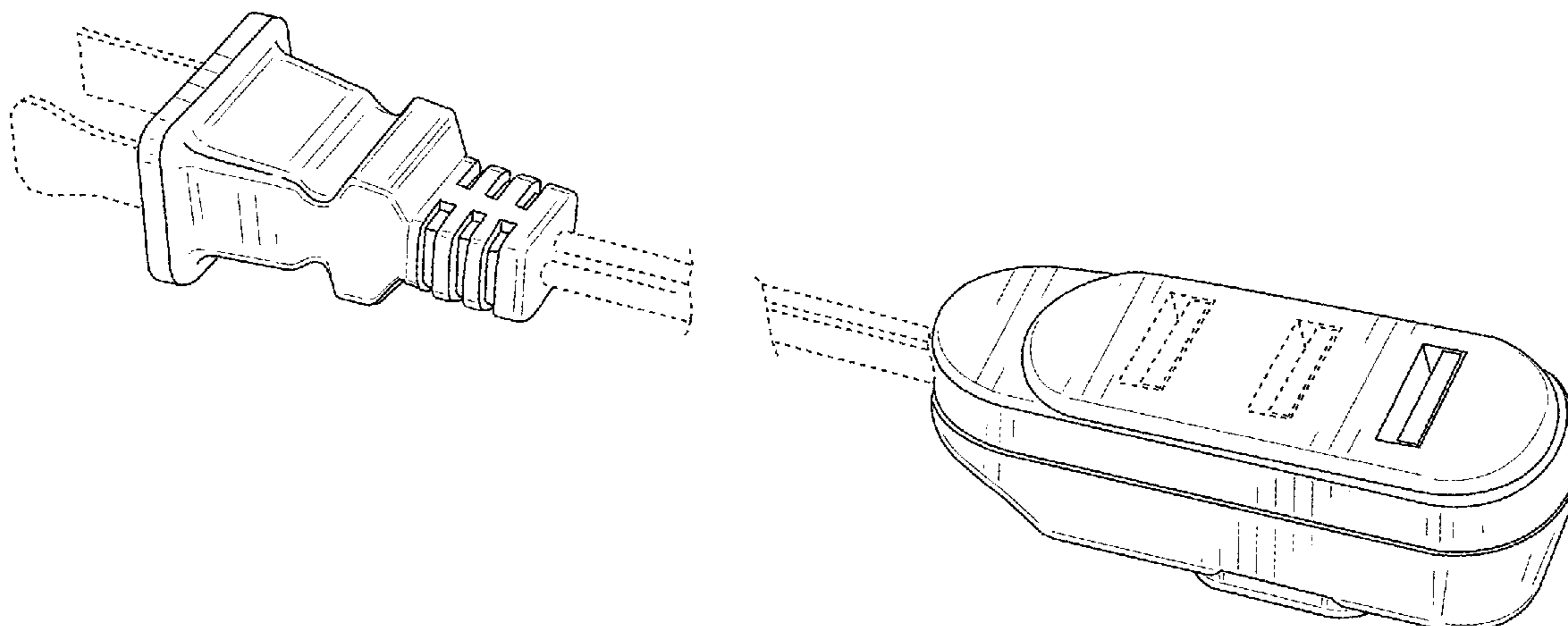
FIG. 19 is a right-side view of the third embodiment;

FIG. 20 is a front view of the third embodiment; and,

FIG. 21 is a back view of the third embodiment.

The broken lines showing specific USB ports are included for the purpose of illustrating environmental structure and form no part of the claimed design.

**1 Claim, 18 Drawing Sheets**



(56)

References Cited

U.S. PATENT DOCUMENTS

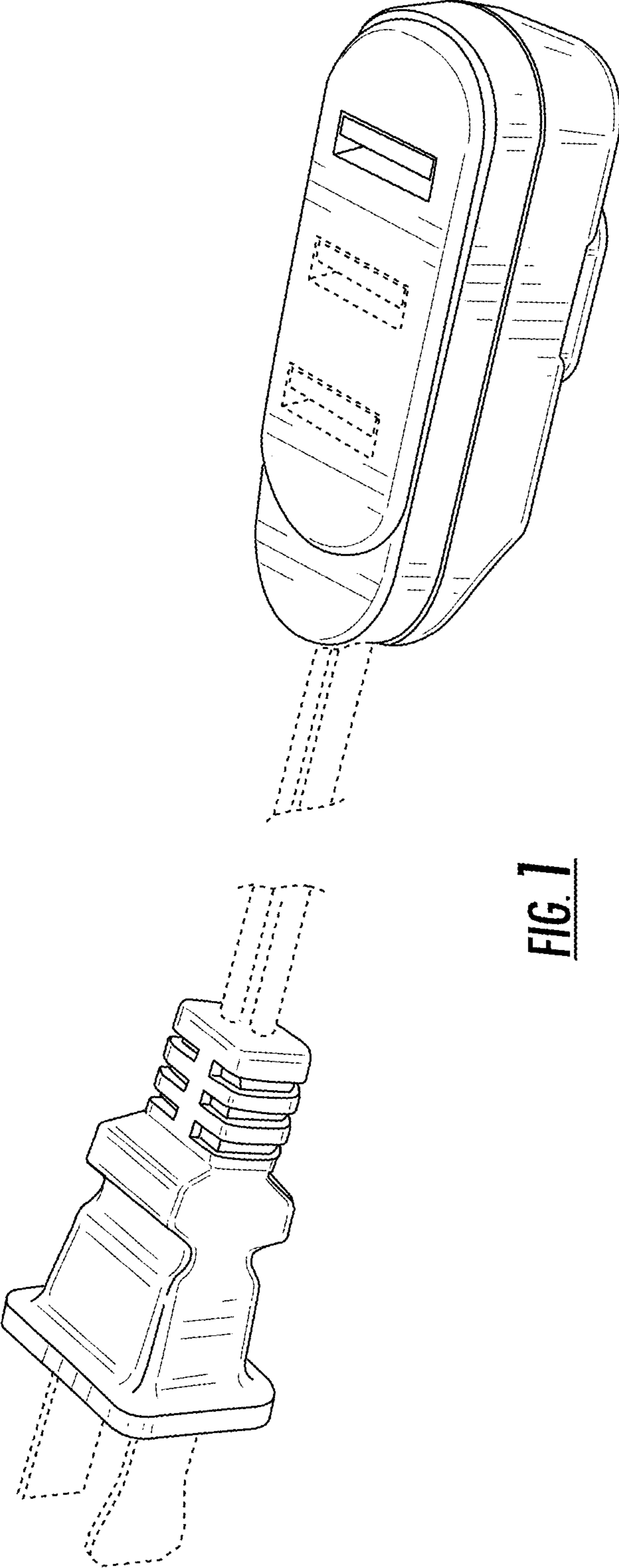
6,433,274 B1 8/2002 Doss  
7,140,922 B2 11/2006 Luu  
D605,650 S \* 12/2009 Ribeiro ..... D13/153  
D680,539 S \* 4/2013 Kim ..... D14/433  
D682,835 S \* 5/2013 Daniel ..... D14/433  
D707,681 S \* 6/2014 Akana ..... D14/433  
8,742,814 B2 6/2014 Binder  
D709,504 S \* 7/2014 Breines ..... D14/433  
D709,891 S \* 7/2014 Alesi ..... D14/433  
D711,383 S \* 8/2014 Lam ..... D14/433  
D727,907 S \* 4/2015 Higashi ..... D14/433  
9,024,581 B2 \* 5/2015 McGinley ..... H01R 31/065

D730,903 S \* 6/2015 Langhammer ..... 320/111  
D731,488 S \* 6/2015 Lee ..... D14/433  
D731,489 S \* 6/2015 Langhammer ..... D14/433  
D732,035 S \* 6/2015 Akana ..... D14/433  
D733,142 S \* 6/2015 Solomon ..... D14/433  
2007/0091656 A1 4/2007 Navid

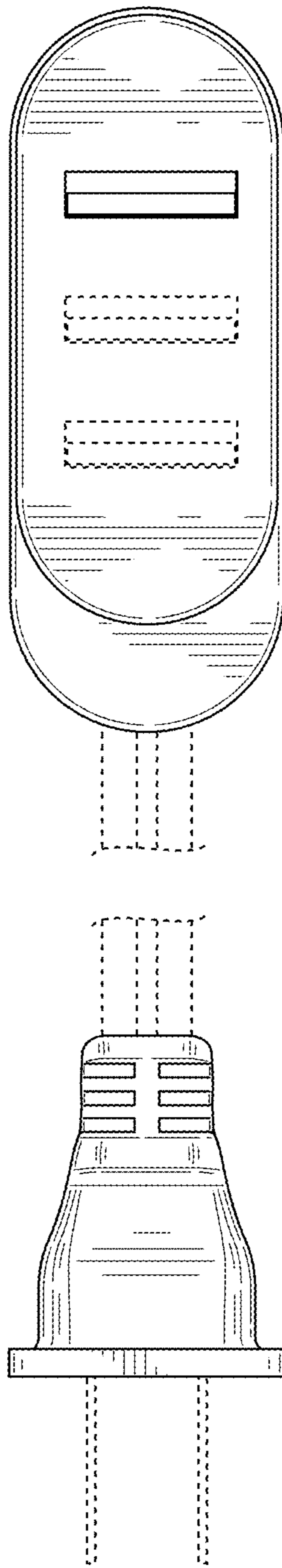
OTHER PUBLICATIONS

Poweradd 25W 5V/5A Family-Sized 5 Port Desktop USB Wall  
Charger, [www.amazon.com](http://www.amazon.com), last accessed Jul. 17, 2015.  
Trixes 4 Port USB Multi Hub Expansion Splitter Black, [www.amazon.com](http://www.amazon.com), last accessed Jul. 17, 2015.

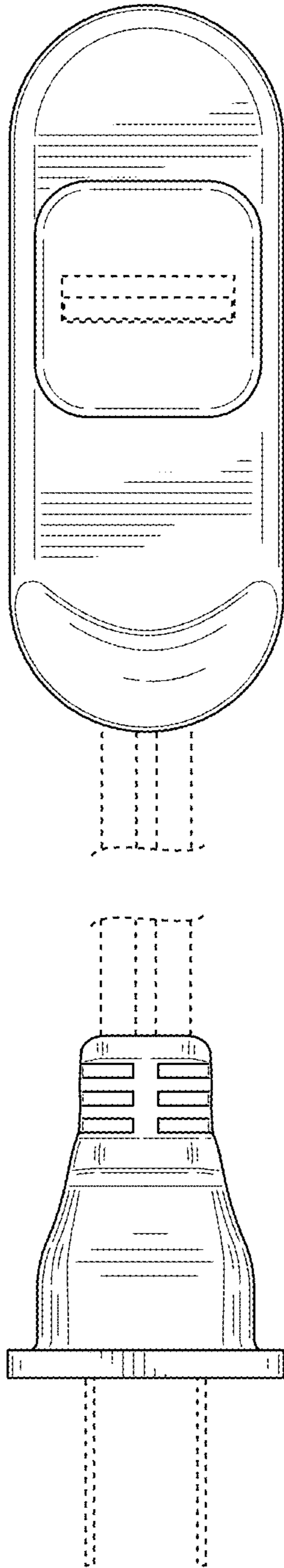
\* cited by examiner



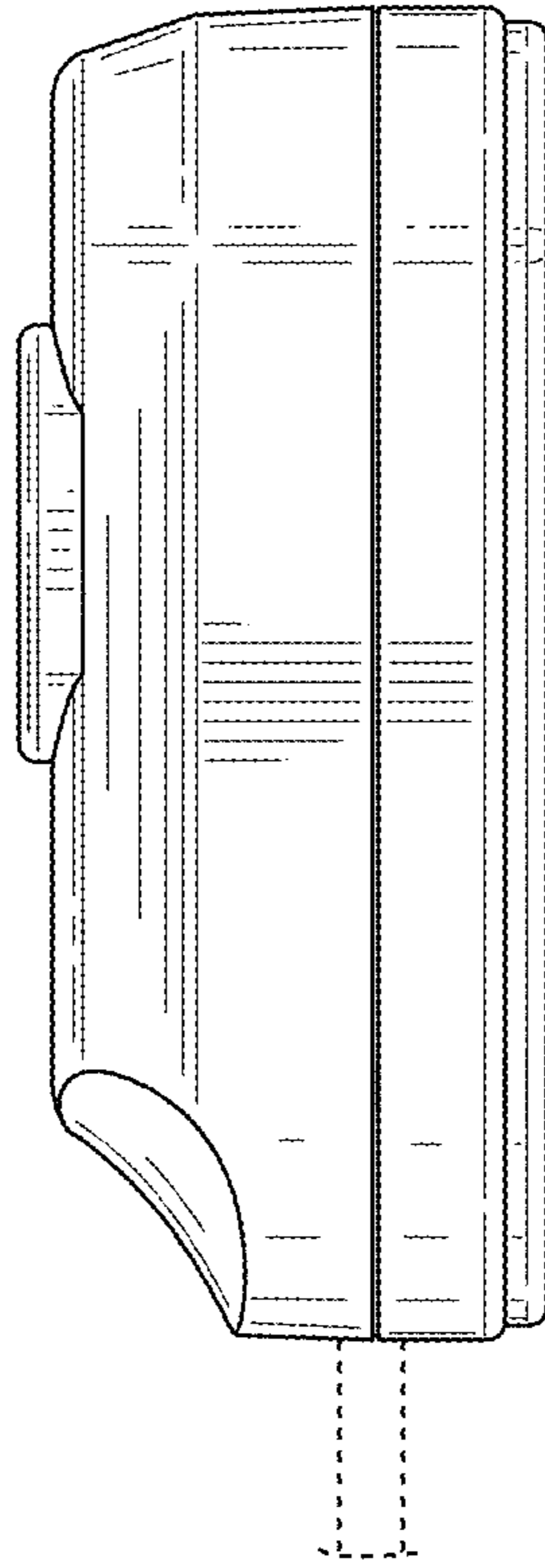
**FIG. 1**



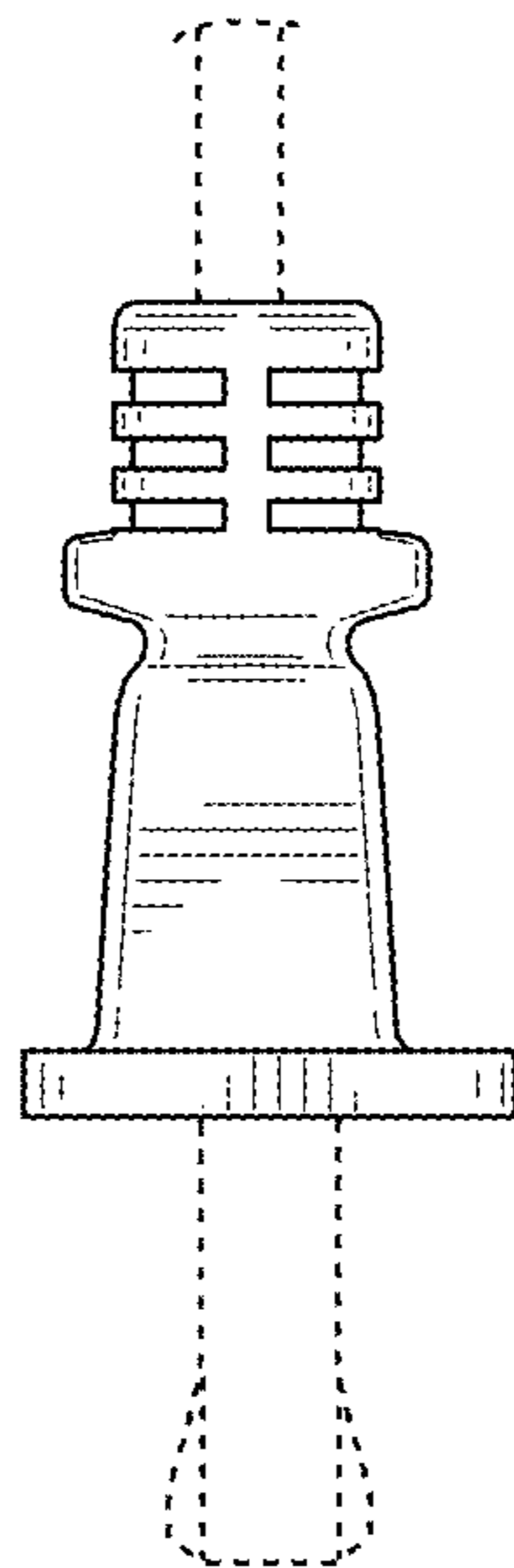
**FIG. 2**

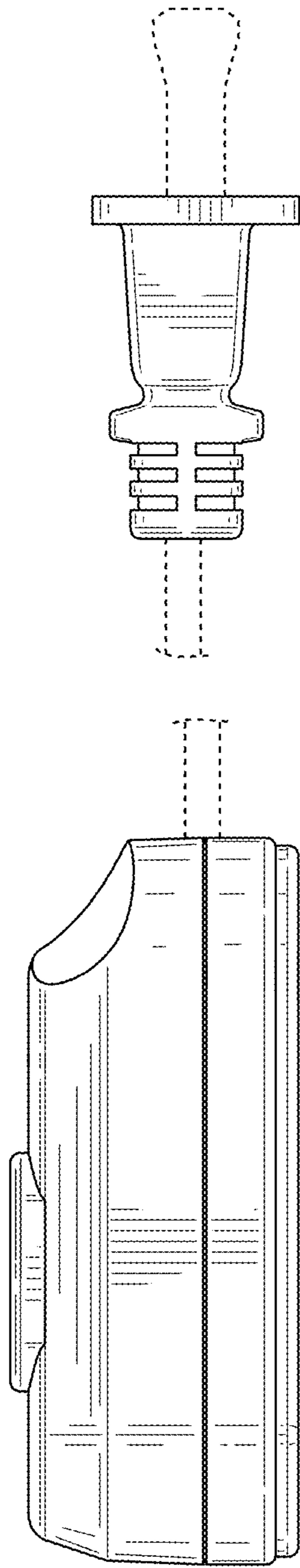


**FIG. 3**

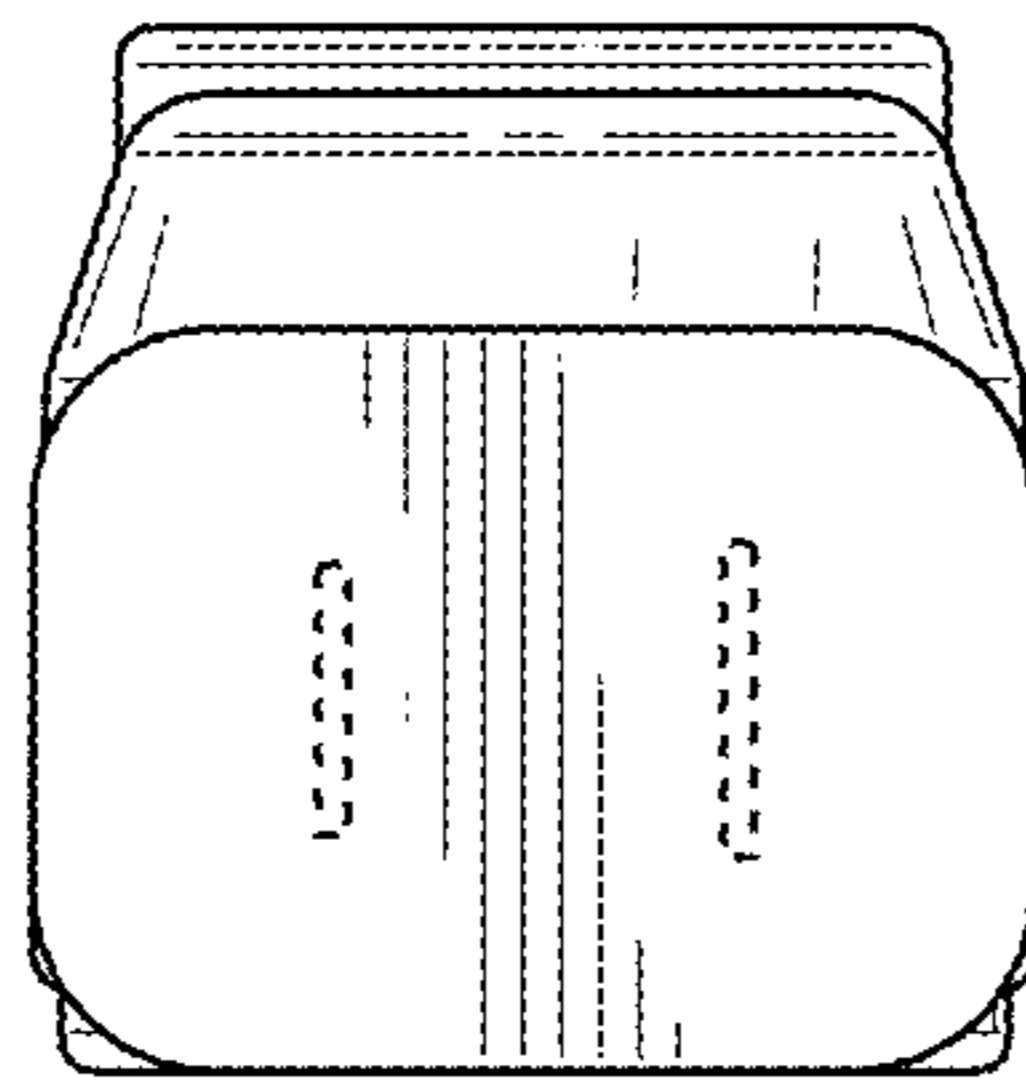


**FIG. 4**

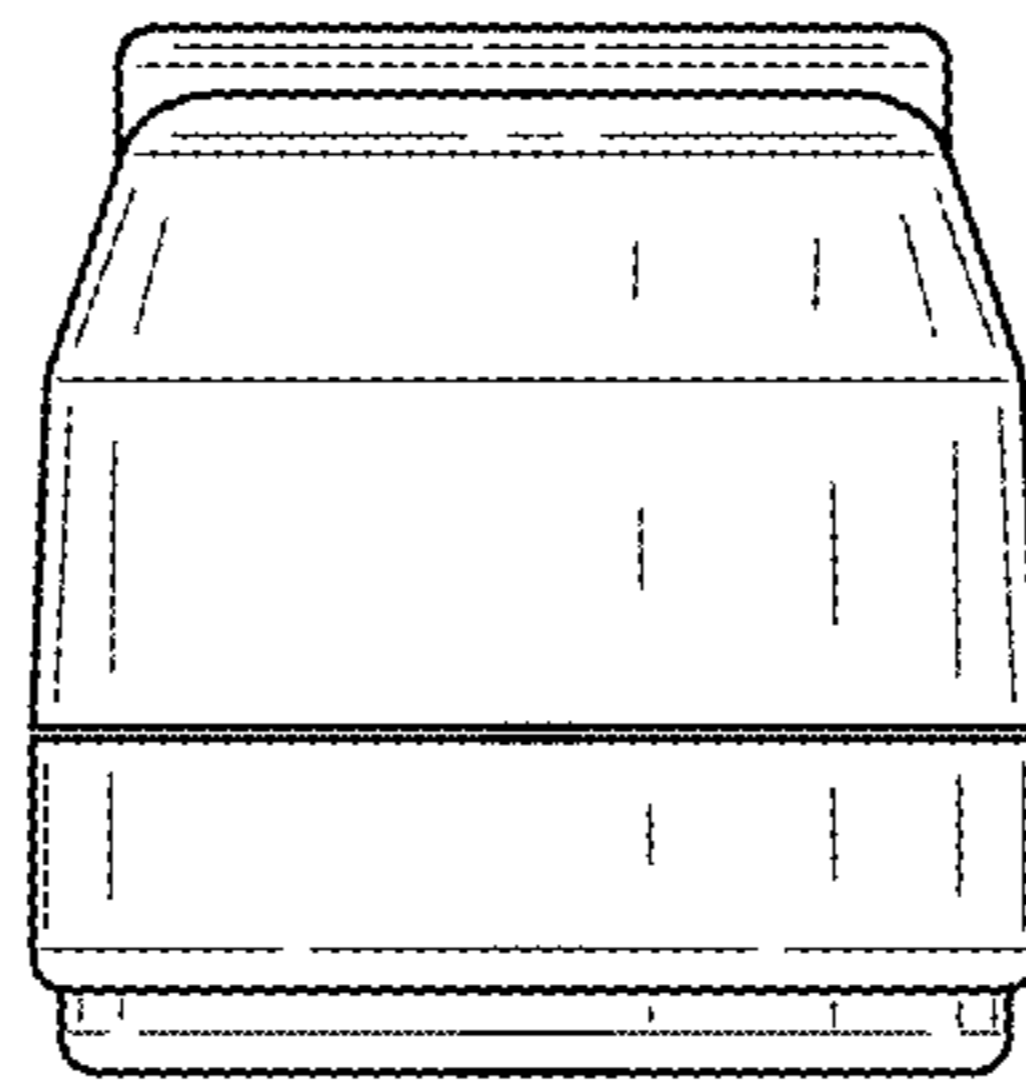




**FIG. 5**

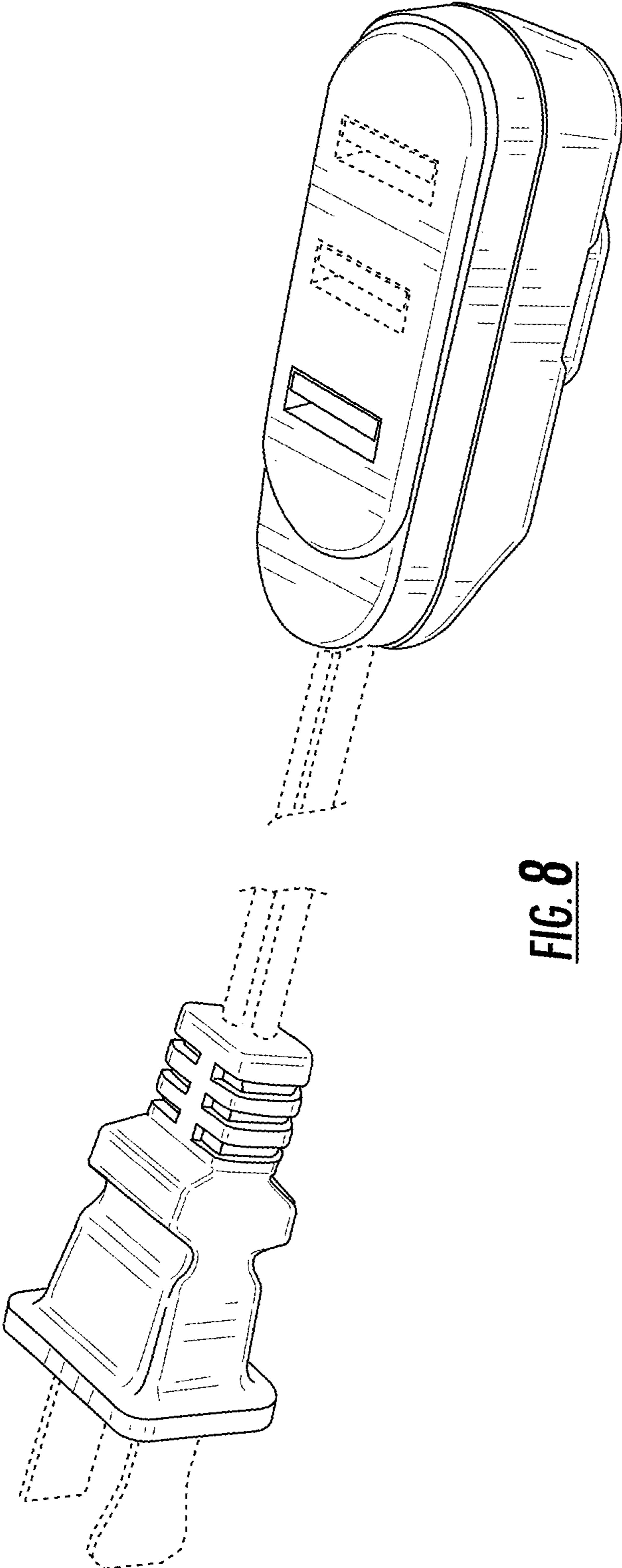


**FIG. 6**



**FIG. 7**





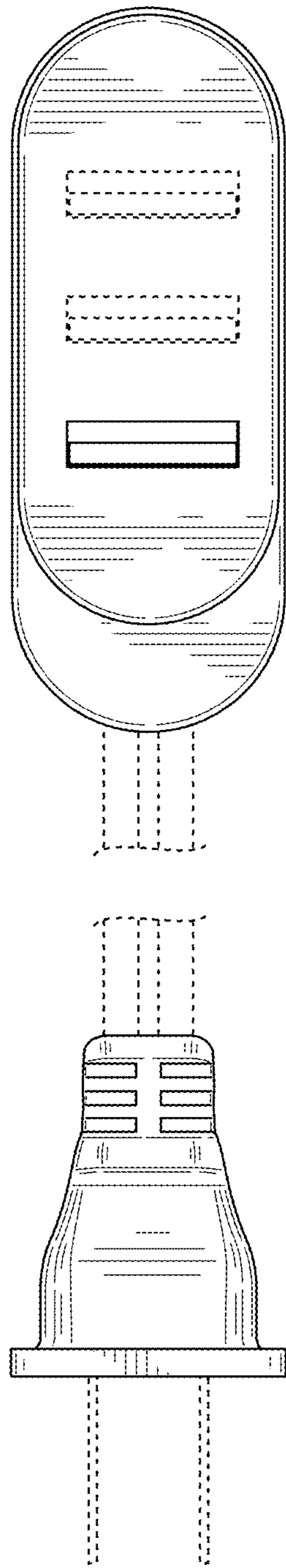
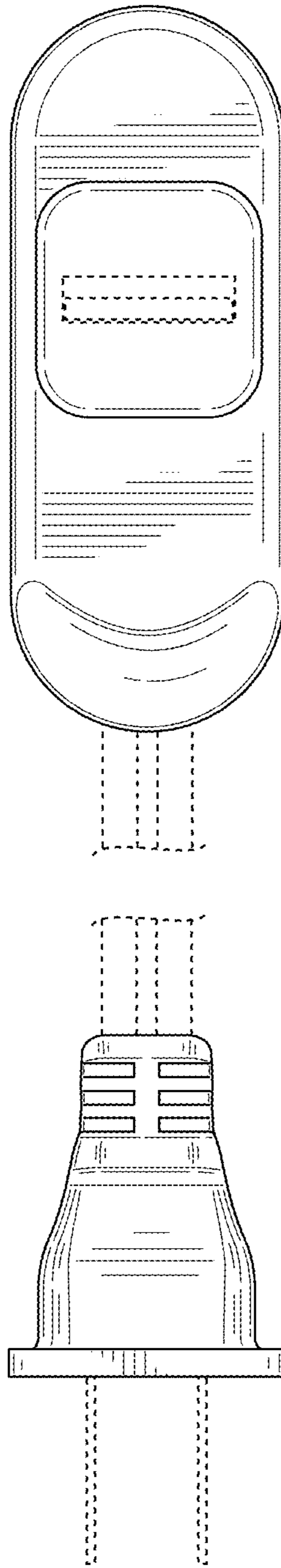
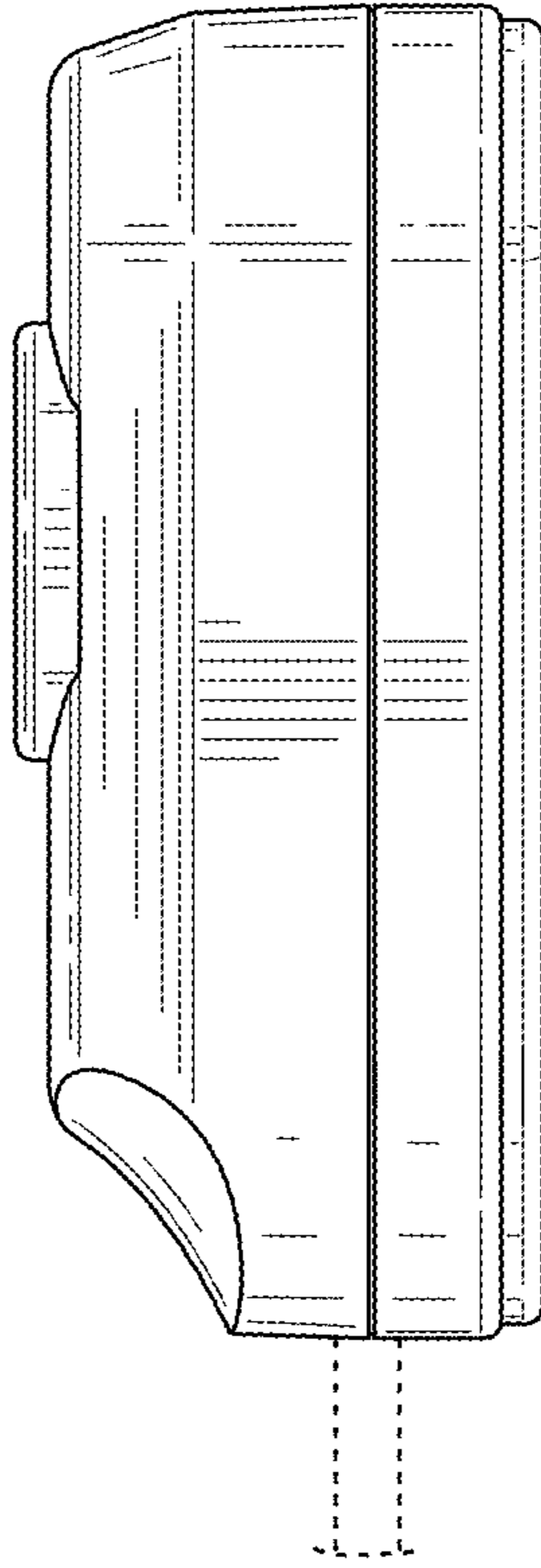


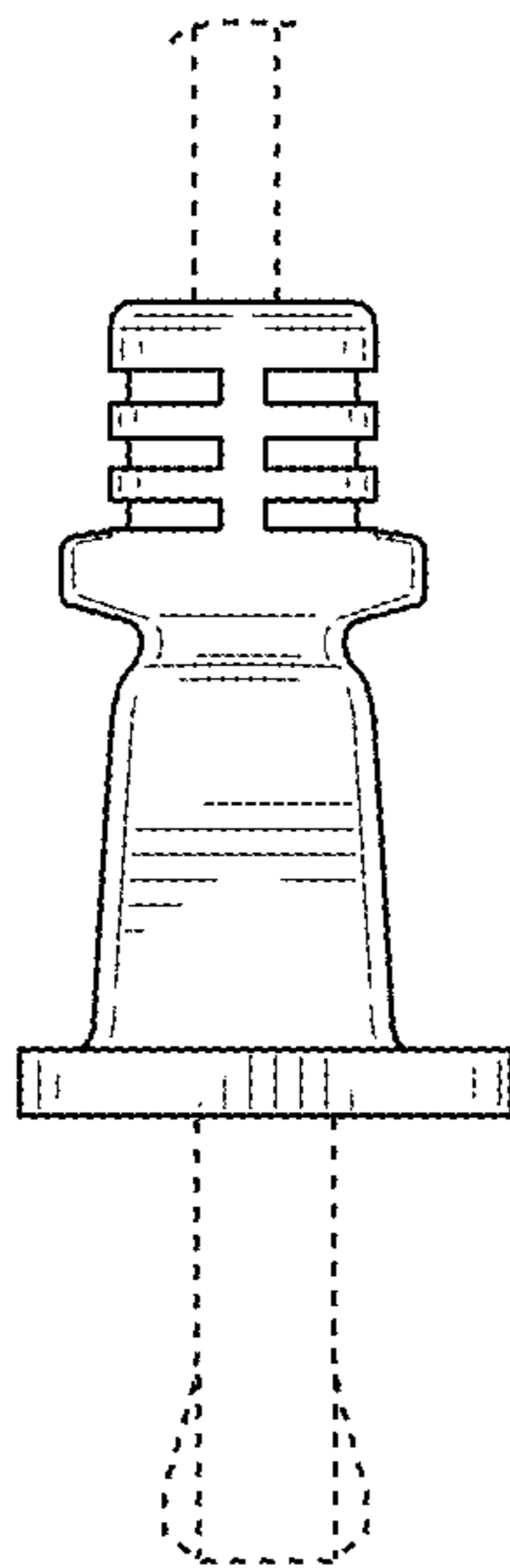
FIG. 9

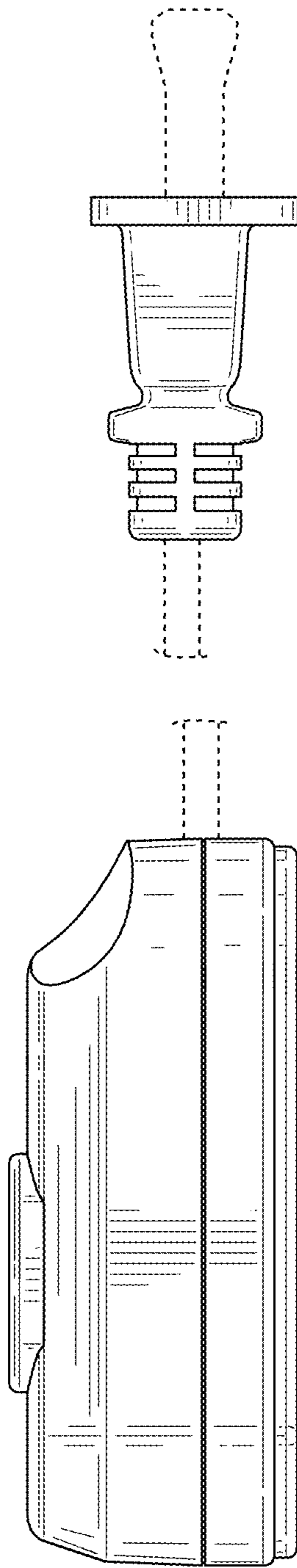


**FIG. 10**

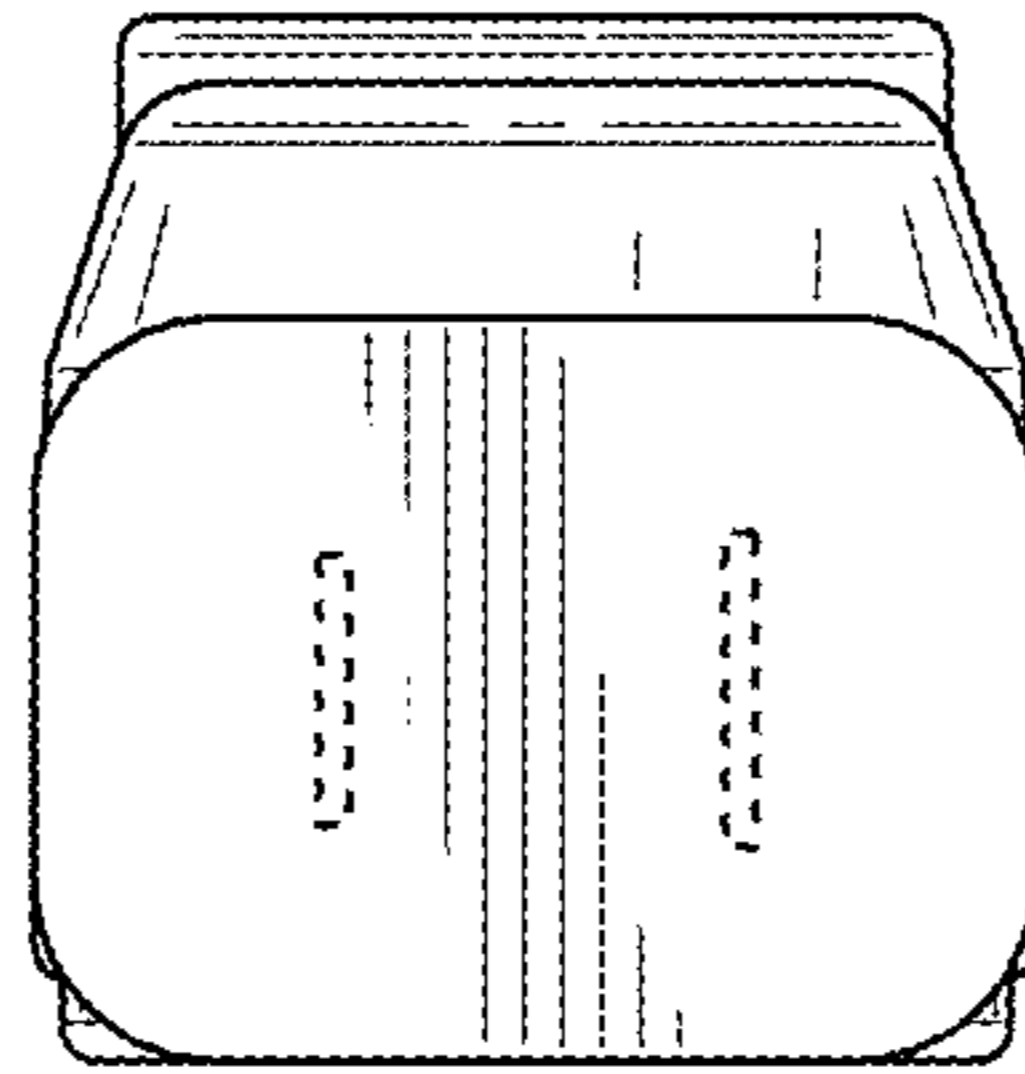


**FIG. 11**

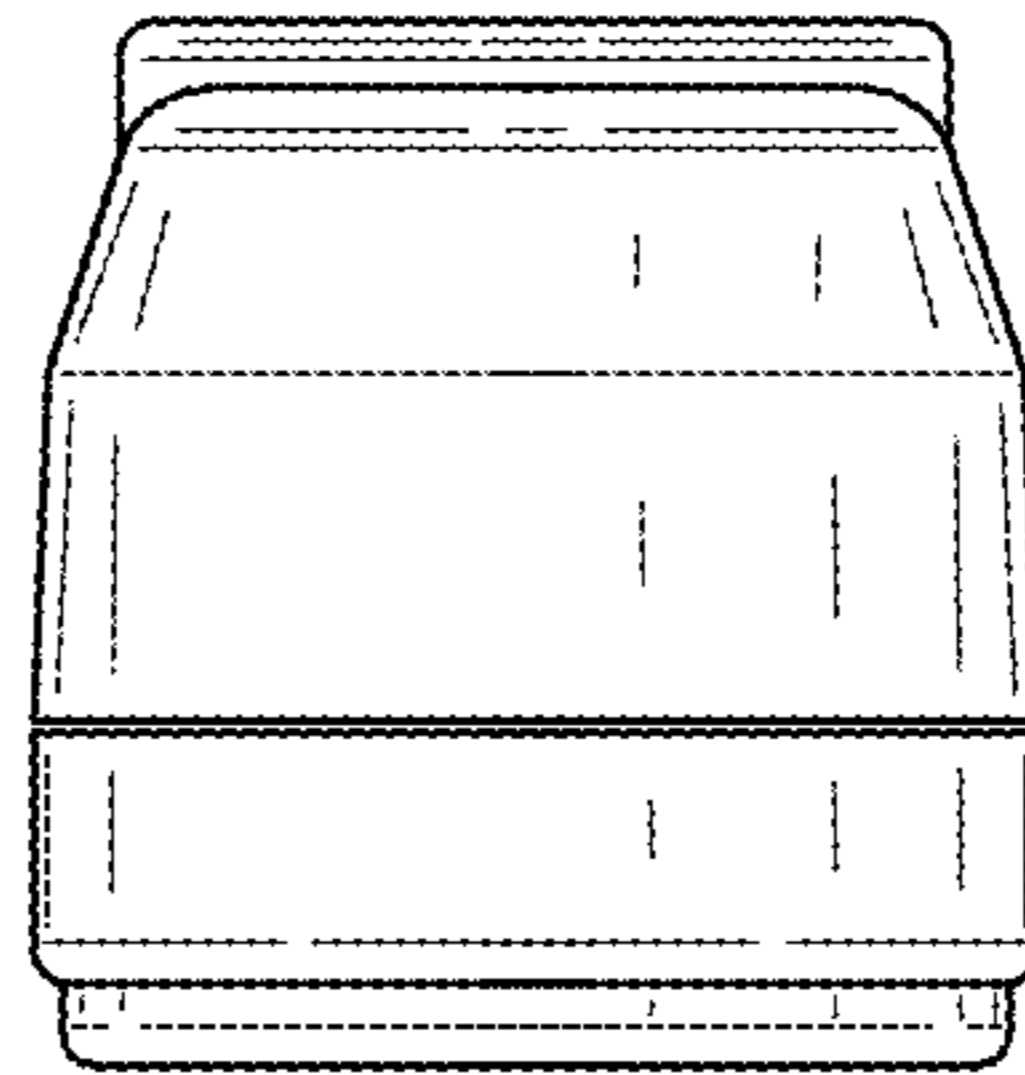




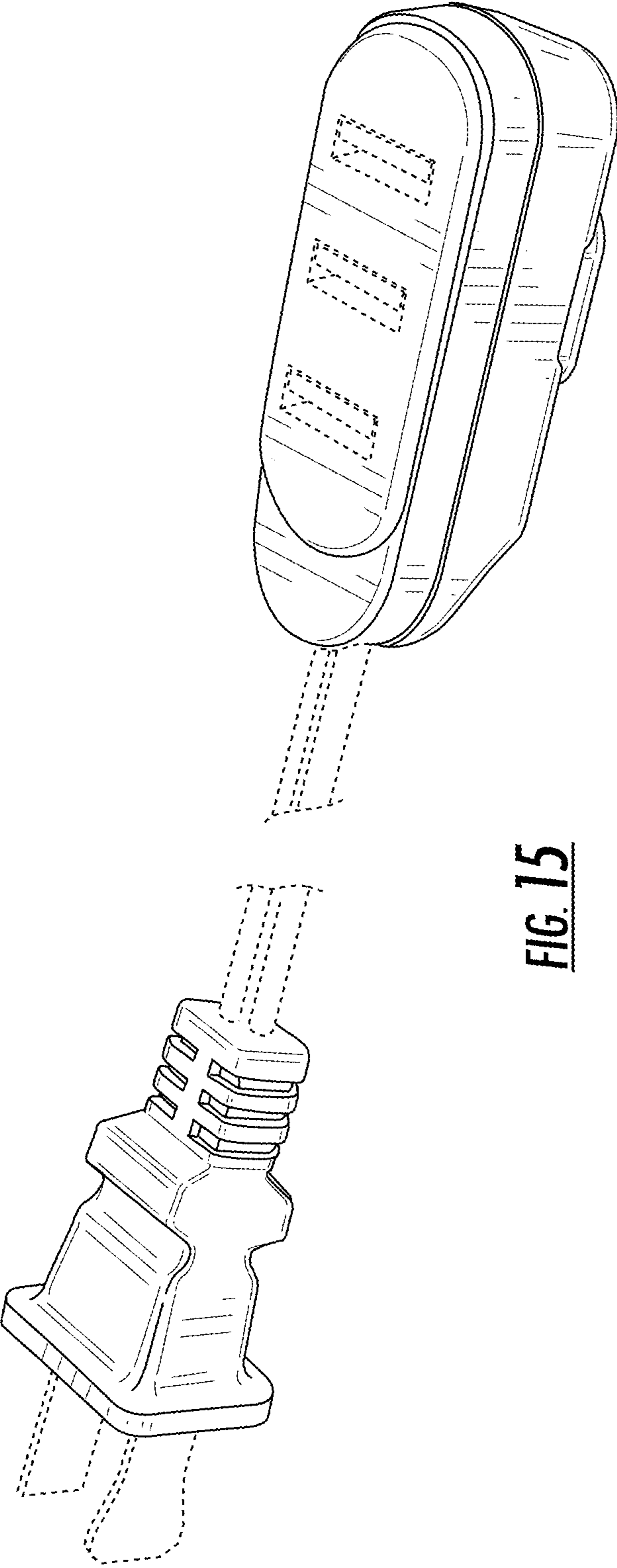
**FIG. 12**



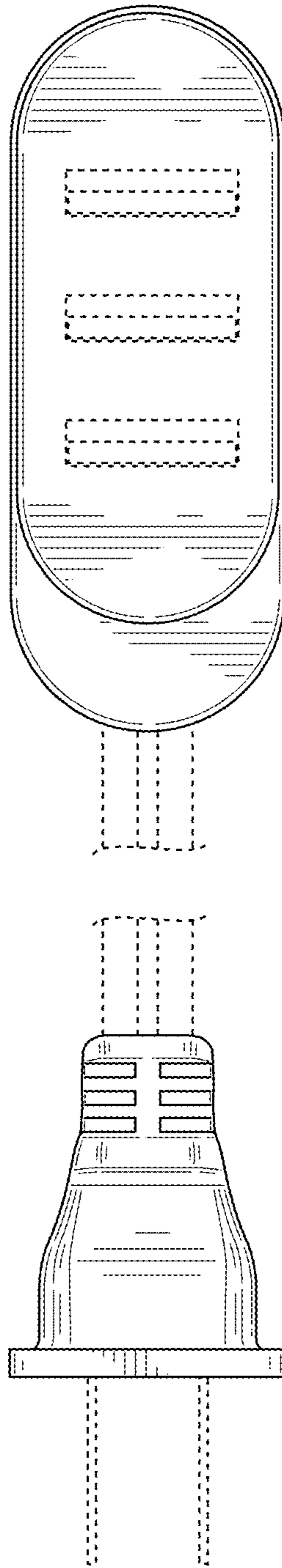
**FIG. 13**



**FIG. 14**

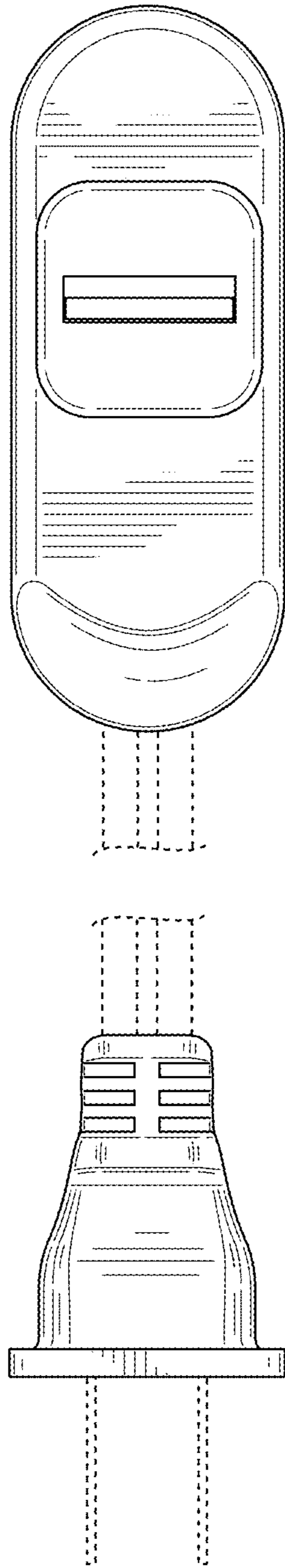


**FIG. 15**

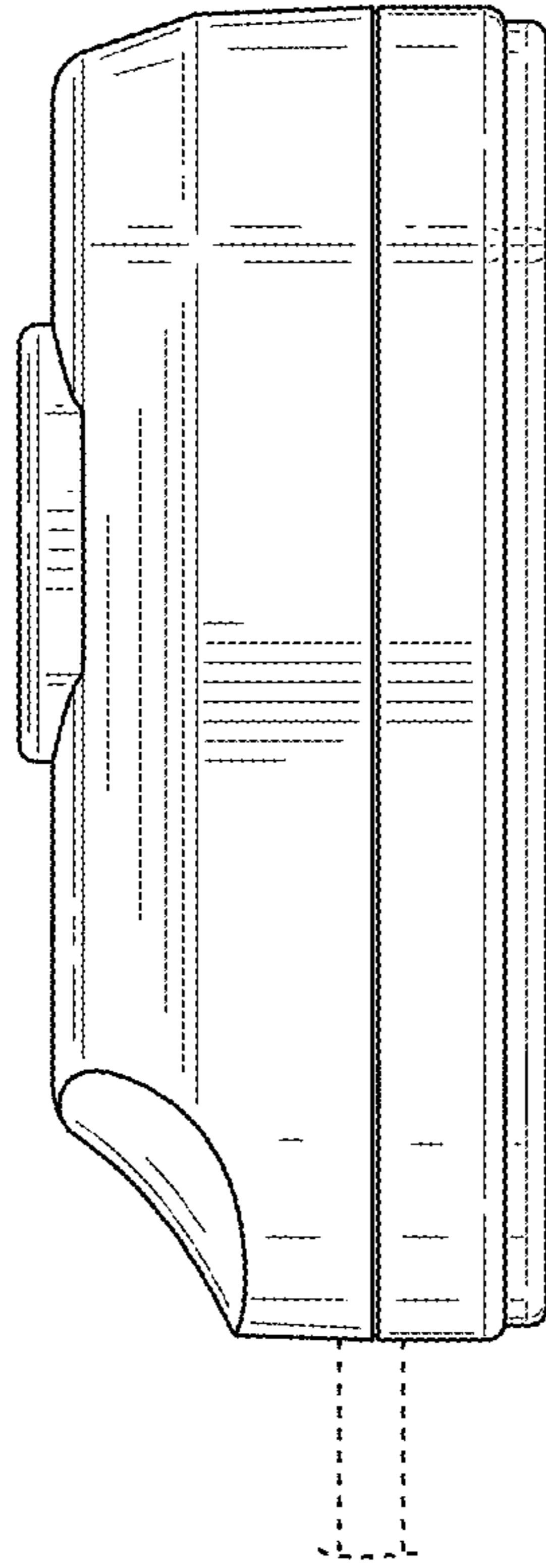


**FIG. 16**

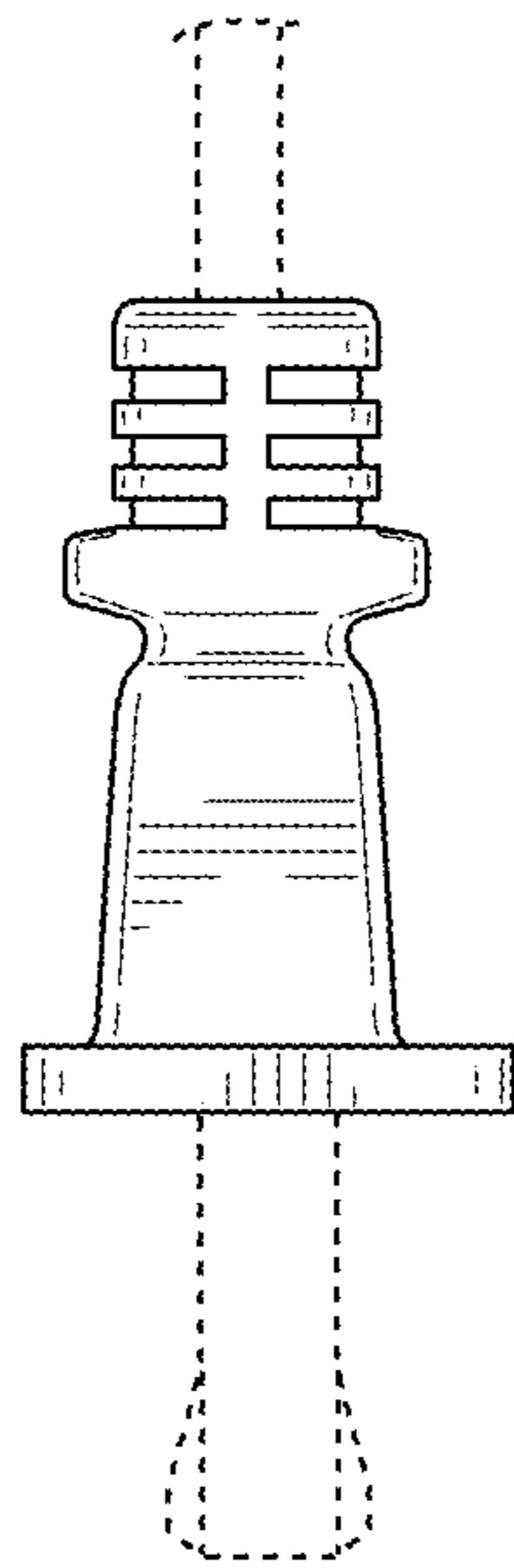


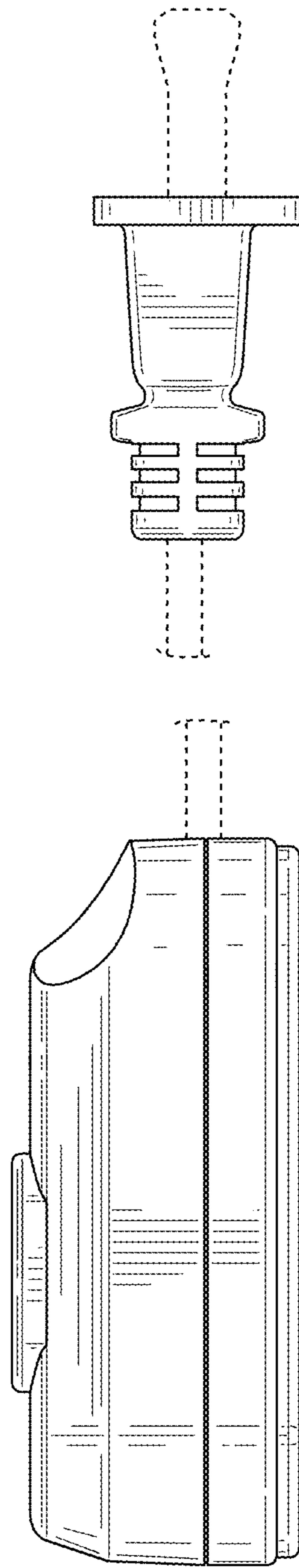


**FIG. 17**

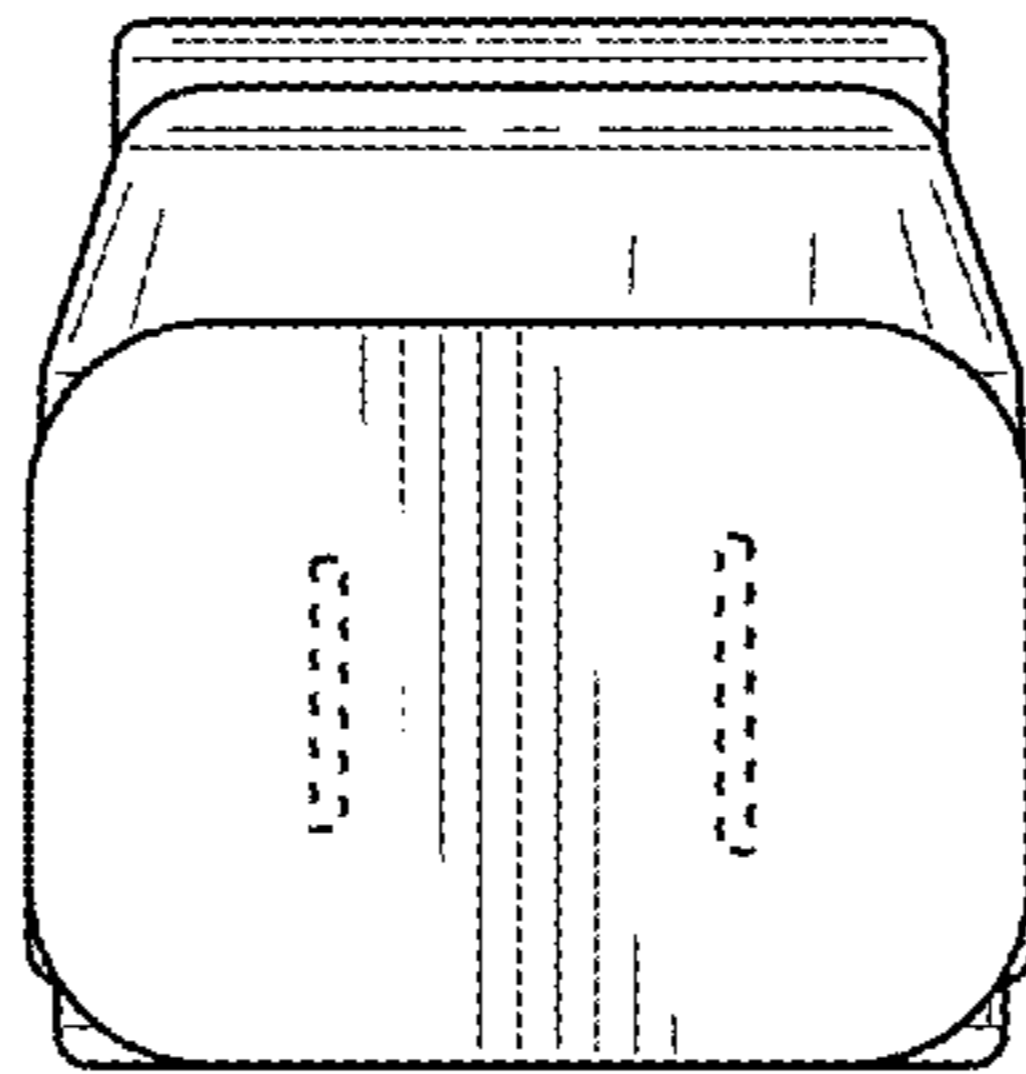


**FIG. 18**

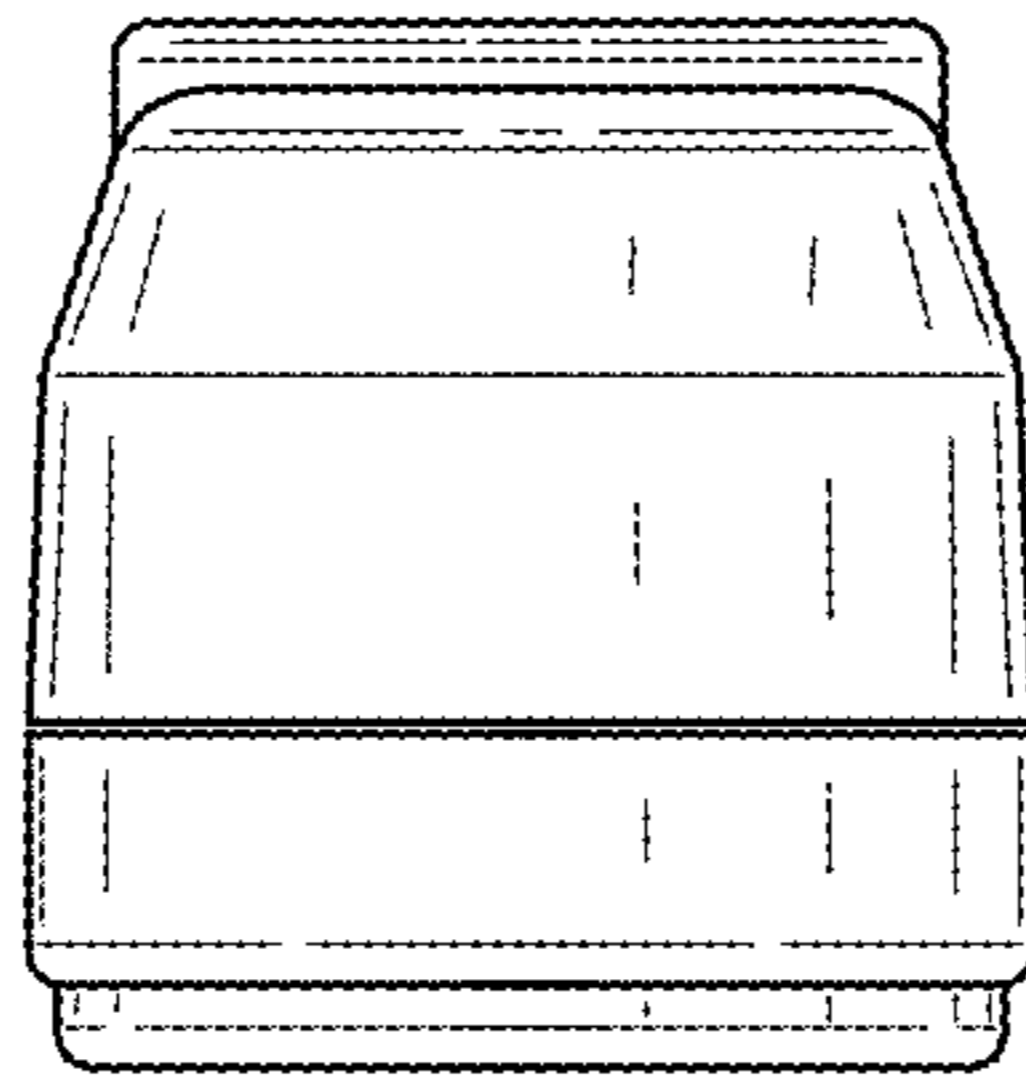




**FIG. 19**



**FIG. 20**



**FIG. 21**