



US00D747715S

(12) **United States Design Patent**
Borgini et al.

(10) **Patent No.:** **US D747,715 S**
(45) **Date of Patent:** **** Jan. 19, 2016**

(54) **PORTABLE COMPUTER WITH BARCODE
READER**

(56) **References Cited**

U.S. PATENT DOCUMENTS

- (71) Applicant: **Datalogic IP Tech S.r.l.**, Lippo di Calderara di Reno (IT)
- (72) Inventors: **Leonardo Borgini**, Bologna (IT); **Alessandro Chiarini**, Castelmaggiore (IT); **Giovanni Minafò**, Cento (IT); **Stanley Cheng**, Taipei (TW)
- (73) Assignee: **DATALOGIC IP TECH S.R.L.**, Lippo di Calderara di Reno (Bologna) (IT)

(**) Term: **14 Years**

(21) Appl. No.: **29/485,696**

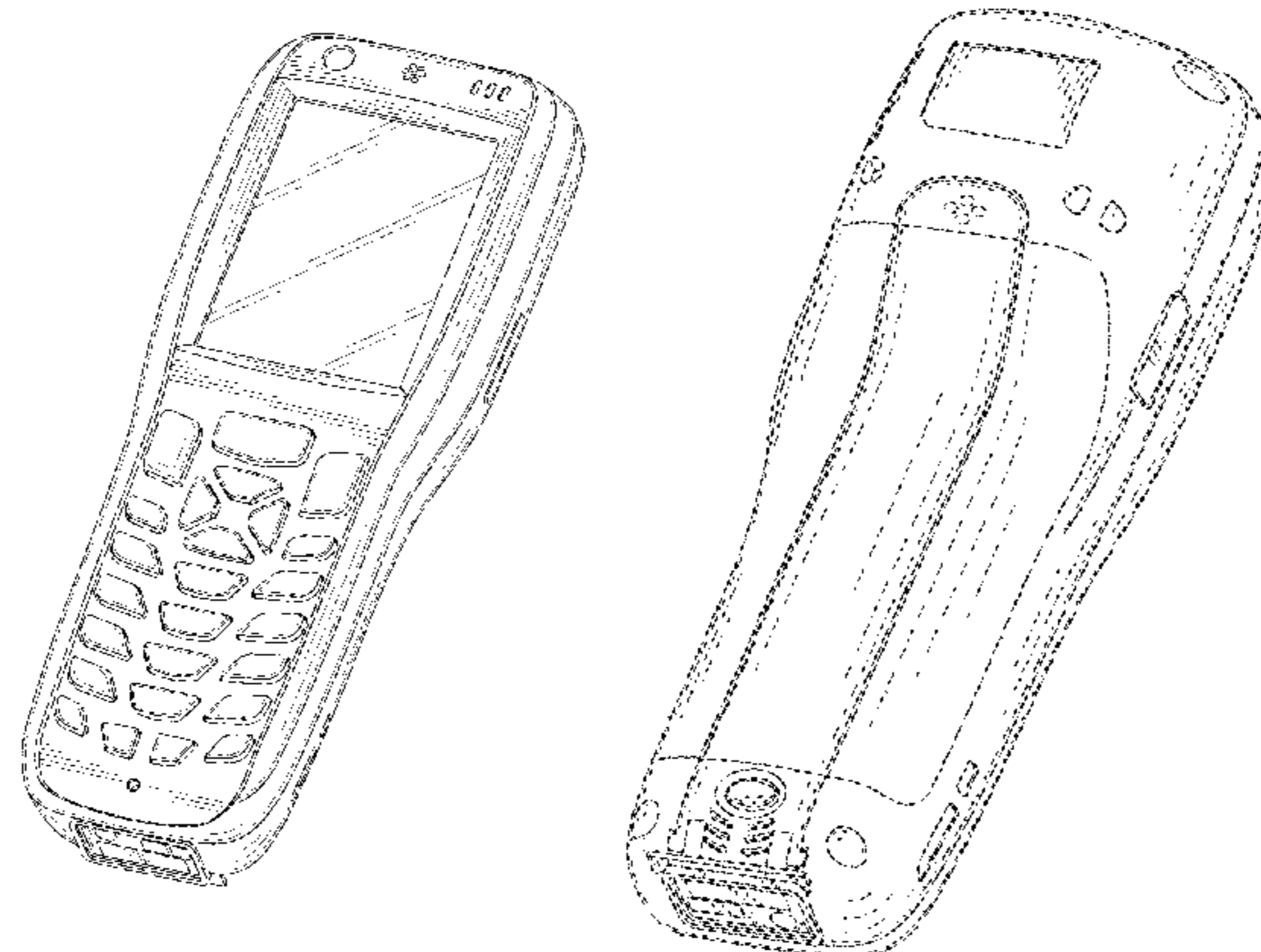
(22) Filed: **Mar. 21, 2014**

(51) **LOC (10) Cl.** **14-02**

(52) **U.S. Cl.**
USPC **D14/347**; D14/341; D14/346

(58) **Field of Classification Search**
USPC D14/315-318, 341-344, 129, 130, 496, D14/137, 138 R, 138 AA, 138 C, 138 G, D14/138 AB, 147, 203.1, 203.3, 203.4, D14/203.7, 247, 389, 426-431, 125, 126, D14/420, 218, 455, 346; D6/300-302, 308, D6/310, 312, 332; D18/6, 7; D21/324, D21/329, 330, 332, 478-480, 484, 491, 492, D21/500-502, 331, 333, 566; 455/556.2, 455/566, 92, 95, 128, 151.1-151.4, 352, 455/355; 379/916, 433.04, 433.1; 345/901, 345/905, 173, 169; 361/679.26, 679.3, 361/679.55, 679.56; D25/48.4, 58; 297/17, 297/16.1, 45; D20/10, 21; 52/234; 160/118; D10/65; D13/168; 348/14.05, 114, 348/211.99, 734; 341/22; 700/65
CPC . G06F 1/1626; G06F 3/0219; G06K 7/10881; G06K 7/10386; G06K 9/228
See application file for complete search history.

D283,711	S	*	5/1986	Deura et al.	D14/347
D386,152	S	*	11/1997	Warneke	D14/347
D414,470	S	*	9/1999	Chacon et al.	D14/341
D417,445	S	*	12/1999	Chacon et al.	D14/399
D429,226	S	*	8/2000	Siddoway et al.	D14/347
6,109,528	A	*	8/2000	Kunert et al.	235/472.01
D462,357	S	*	9/2002	Jenkins	D14/426
D496,366	S	*	9/2004	Croley et al.	D14/429
D505,422	S	*	5/2005	Kakizaki et al.	D14/347
D556,750	S	*	12/2007	Fitch et al.	D14/346
D557,696	S	*	12/2007	Conti et al.	D14/346
D558,775	S	*	1/2008	Morris et al.	D14/453
D574,830	S	*	8/2008	Tasselli et al.	D14/426
D575,287	S	*	8/2008	Miyashita	D14/426
D579,018	S	*	10/2008	Su et al.	D14/426
D599,798	S	*	9/2009	Fitch et al.	D14/426
7,583,178	B2	*	9/2009	Hougen et al.	340/10.1
D611,943	S	*	3/2010	Boyd	D14/346
D613,290	S	*	4/2010	Arnold et al.	D14/429
D614,626	S	*	4/2010	Dai et al.	D14/426
D614,627	S	*	4/2010	Lerner et al.	D14/429
D615,085	S	*	5/2010	Ma et al.	D14/346
D618,688	S	*	6/2010	Ingold et al.	D14/429
D619,138	S	*	7/2010	Ingold et al.	D14/429
D622,726	S	*	8/2010	Alegiani et al.	D14/429
D628,198	S	*	11/2010	Fitch et al.	D14/347
D629,001	S	*	12/2010	Palmer et al.	D14/426
D633,502	S	*	3/2011	Alegiani	D14/429
D633,915	S	*	3/2011	Alegiani et al.	D14/429
D634,744	S	*	3/2011	Palmer et al.	D14/347
D638,422	S	*	5/2011	Reed et al.	D14/347
D643,034	S	*	8/2011	Tasselli et al.	D14/347
8,098,237	B2	*	1/2012	Payne	345/173
D658,174	S	*	4/2012	Tasselli et al.	D14/347
D662,099	S	*	6/2012	Cullen et al.	D14/426
D664,145	S	*	7/2012	Cullen et al.	D14/426
D673,955	S	*	1/2013	Mangaroo et al.	D14/429
D676,850	S	*	2/2013	Minafo et al.	D14/429
D677,663	S	*	3/2013	Minafo et al.	D14/429
D697,067	S	*	1/2014	Minafo et al.	D14/429
D704,711	S	*	5/2014	Minafo et al.	D14/426
D709,503	S	*	7/2014	Chen et al.	D14/426
8,781,520	B2	*	7/2014	Payne et al.	455/550.1
D716,307	S	*	10/2014	Pauffer et al.	D14/426
2003/0089775	A1	*	5/2003	Yeakley et al.	235/454



2006/0054704	A1 *	3/2006	Fitch et al.	235/472.01
2009/0168337	A1 *	7/2009	Conti et al.	361/679.56
2010/0020488	A1 *	1/2010	Mangaroo et al.	361/679.55
2012/0088547	A1 *	4/2012	Lee et al.	455/556.2
2012/0286043	A1 *	11/2012	Leonardi et al.	235/440
2014/0185234	A1 *	7/2014	Lee et al.	361/679.56

OTHER PUBLICATIONS

Datalogic Memor X3, available May 23, 2014, [online], [site visited May 20, 2015]. Available from internet, <URL: <http://profesionalretail.com/rendimiento-y-durabilidad-los-puntos-fuertes-del-terminal-portatil-memorx3-de-datalogic/>>.*

Datalogic Memor (Rugged PC Review) , available Oct. 2009, [online], [site visited May 20, 2015]. Available from internet, <URL: http://www.ruggedpcreview.com/3_handhelds_datalogic_memor_new.html>.*

Datalogic Memor X3 (Rugged PC Review) , available Apr. 15, 2014, [online], [site visited May 20, 2015]. Available from internet, <URL: http://www.ruggedpcreview.com/3_handhelds_datalogic_memor_x3.html>.*

Handheld Group Nautiz X3 (Rugged PC Review), available Oct. 2010, [online], [site visited May 20, 2015]. Available from internet, <URL: http://www.ruggedpcreview.com/3_handhelds_handheldus_nautiz_x3.html>.*

WDT3200 Mobile Computer (YouTube), available Sep. 10, 2012, [online], [site visited May 20, 2015]. Video available from internet, <URL: <https://www.youtube.com/watch?v=JO59Uzys6b8>>.*

Datalogic Falcon X3 (YouTube), available Jun. 5, 2013, [online], [site visited May 20, 2015]. Video available from internet, <URL: <https://www.youtube.com/watch?v=vVERCYzQM1Q>>.*

Datalogic Lynx PDA (Rugged PC Review) , available Dec. 2012, [online], [site visited May 20, 2015]. Available from internet, <URL: http://www.ruggedpcreview.com/3_handhelds_datalogic_lynx.html>.*

* cited by examiner

Primary Examiner — Cathron Brooks
Assistant Examiner — Teddy Falloway
 (74) *Attorney, Agent, or Firm* — Duane Morris, LLP

(57)

CLAIM

We claim the ornamental design for a portable computer with barcode reader, as shown and described.

DESCRIPTION

FIG. 1 is a perspective front view of a portable computer with barcode reader according to the present invention.
 FIG. 2 is a perspective rear view of a portable computer with barcode reader of FIG. 1.
 FIG. 3 is a front elevation view of the portable computer with barcode reader of FIG. 1.
 FIG. 4 is a rear elevation view of the portable computer with barcode reader of FIG. 1.
 FIG. 5 is a left side elevation view of the portable computer with barcode reader of FIG. 1.
 FIG. 6 is a right side elevation view of the portable computer with barcode reader of FIG. 1.
 FIG. 7 is a bottom view of the portable computer with barcode reader of FIG. 1.
 FIG. 8 is a top view of the portable computer with barcode reader of FIG. 1.
 FIG. 9 is a perspective front view of a second embodiment of a portable computer with barcode reader according to the present invention.
 FIG. 10 is a perspective rear view of a portable computer with barcode reader of FIG. 9.
 FIG. 11 is a front elevation view of the portable computer with barcode reader of FIG. 9.
 FIG. 12 is a rear elevation view of the portable computer with barcode reader of FIG. 9.
 FIG. 13 is a left side elevation view of the portable computer with barcode reader of FIG. 9.
 FIG. 14 is a right side elevation view of the portable computer with barcode reader of FIG. 9.
 FIG. 15 is a bottom view of the portable computer with barcode reader of FIG. 9; and,
 FIG. 16 is a top view of the portable computer with barcode reader of FIG. 9.

1 Claim, 16 Drawing Sheets

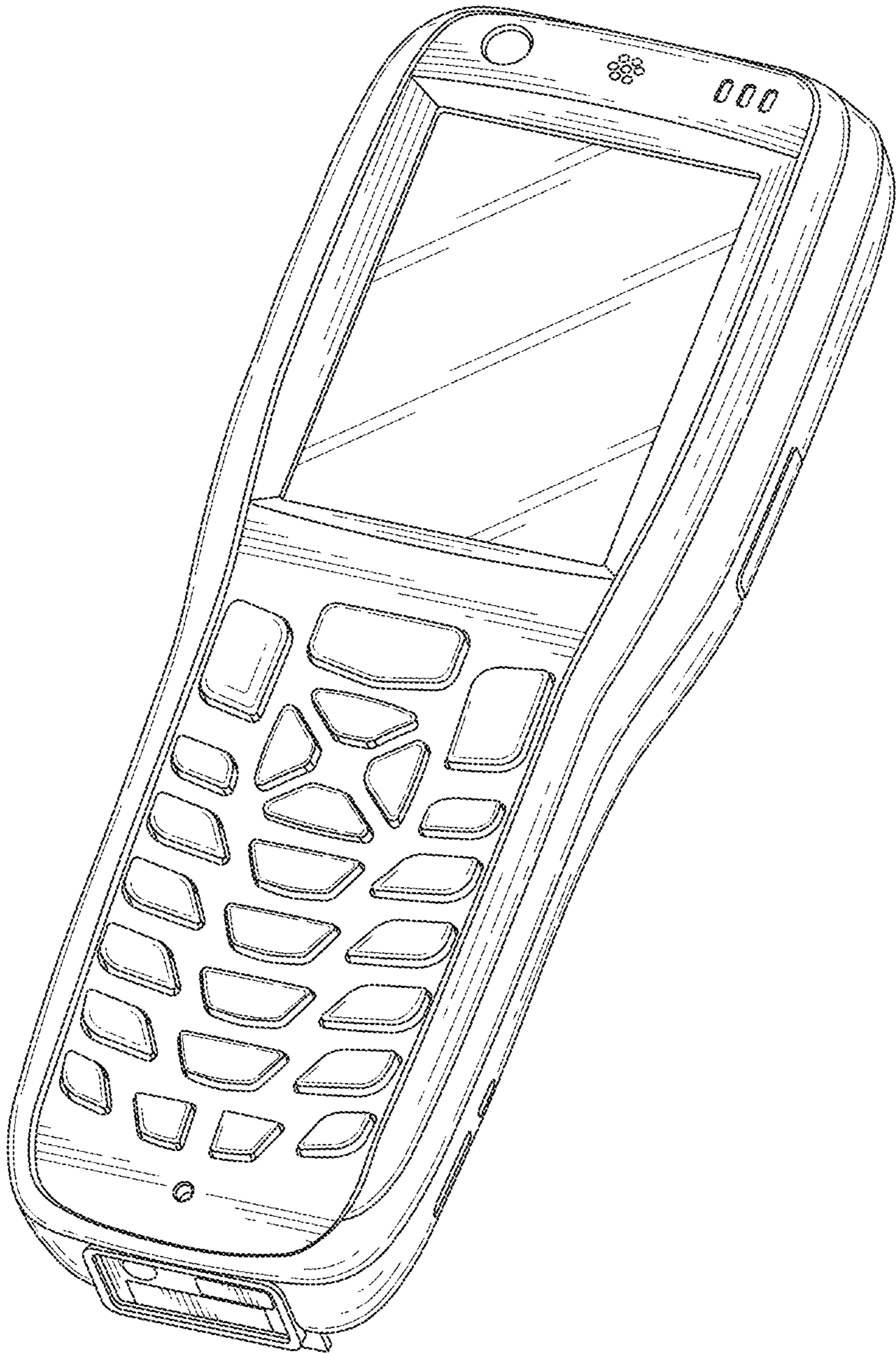


FIG. 1

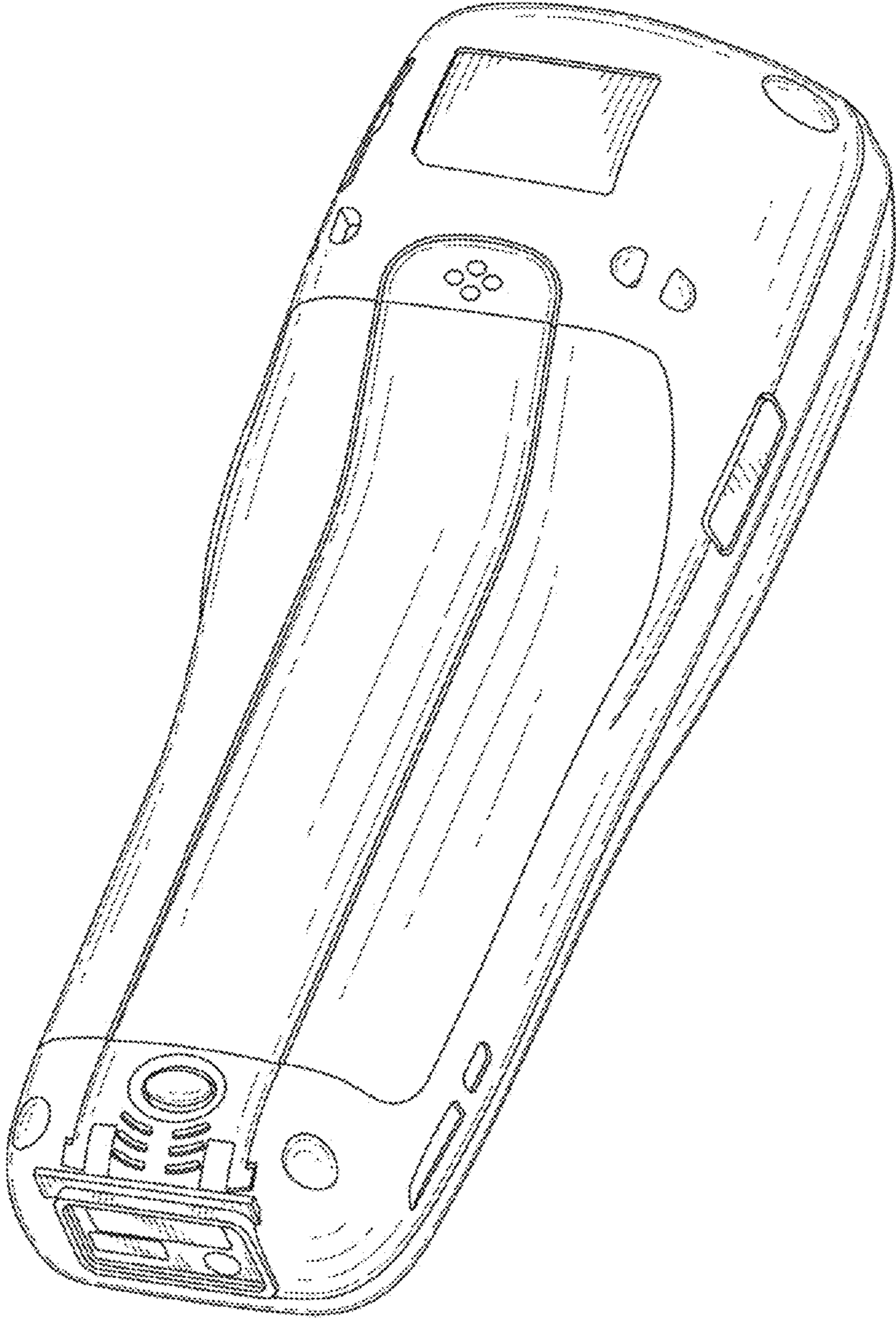


FIG. 2

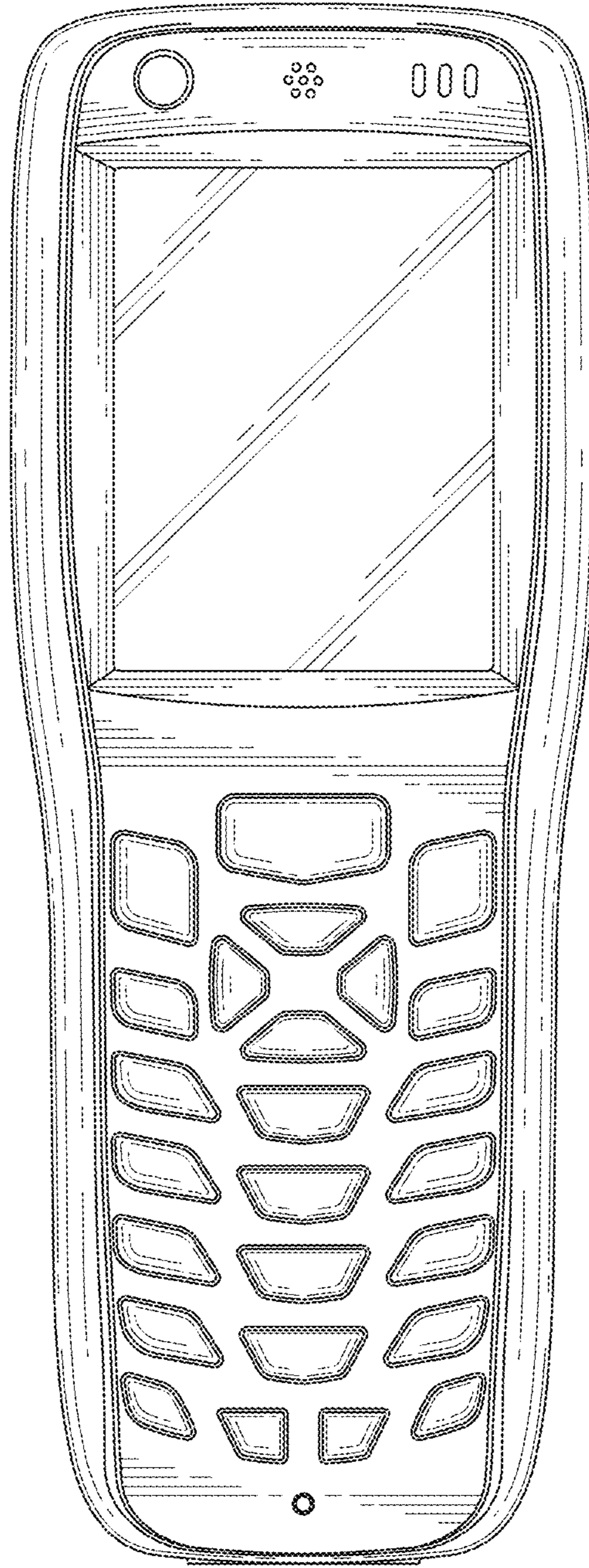


FIG. 3

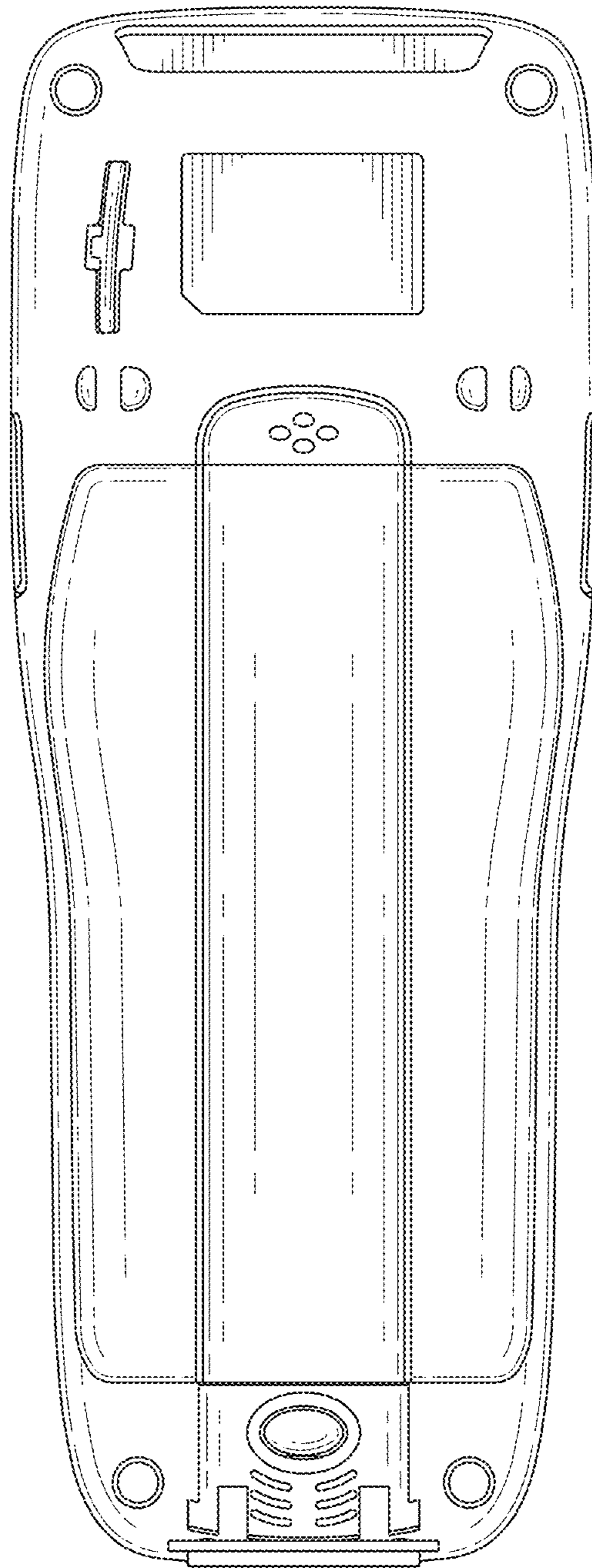


FIG. 4

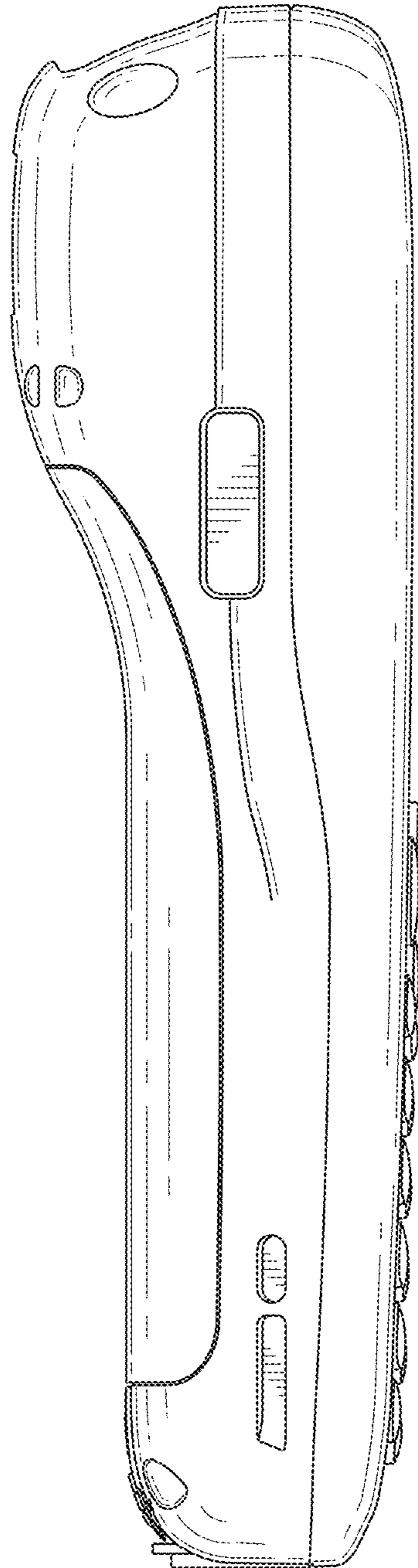


FIG. 5

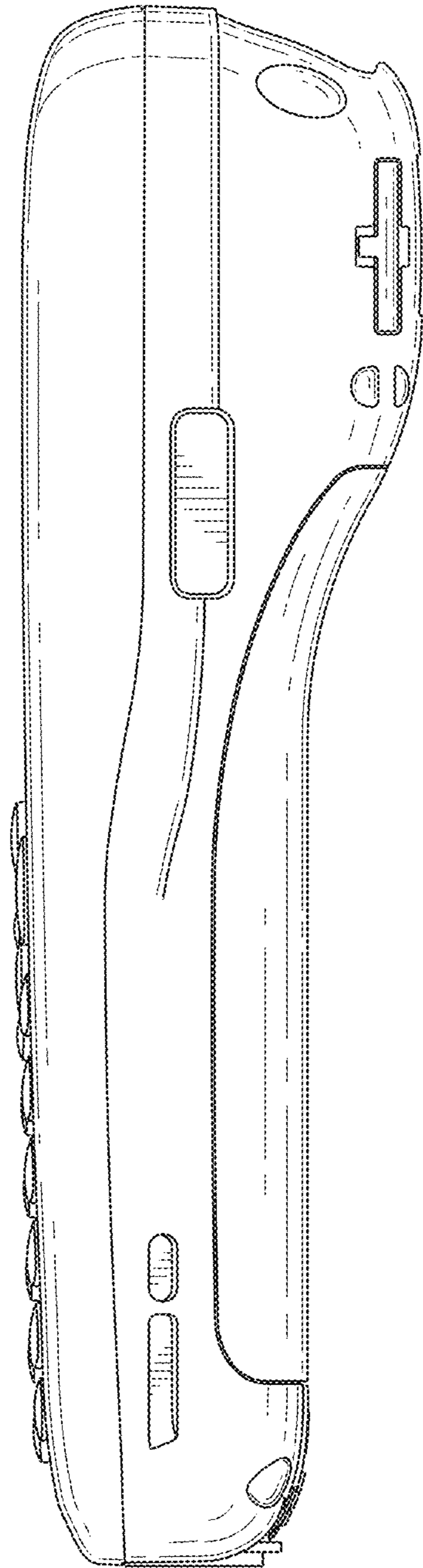


FIG. 6

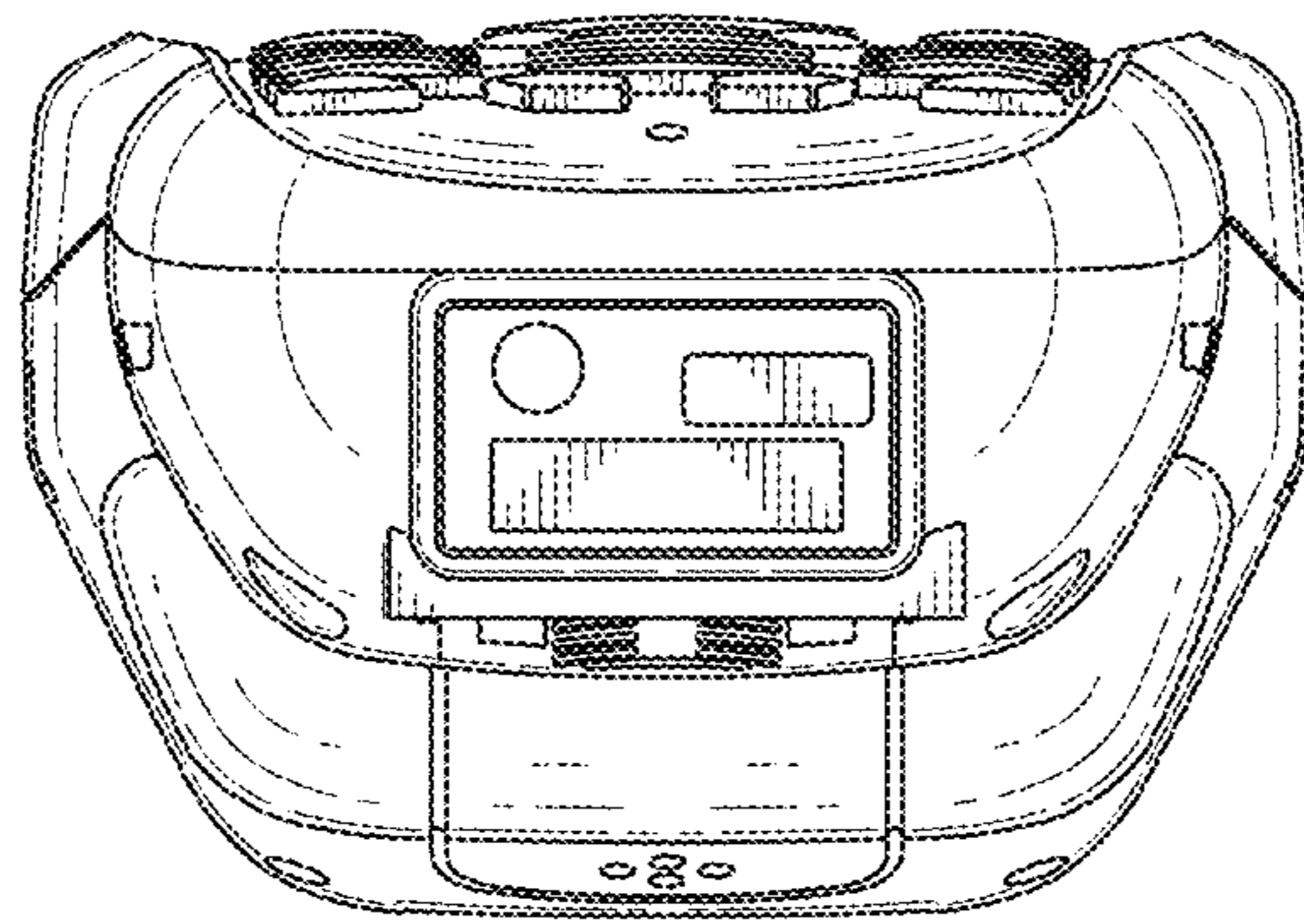


FIG. 7

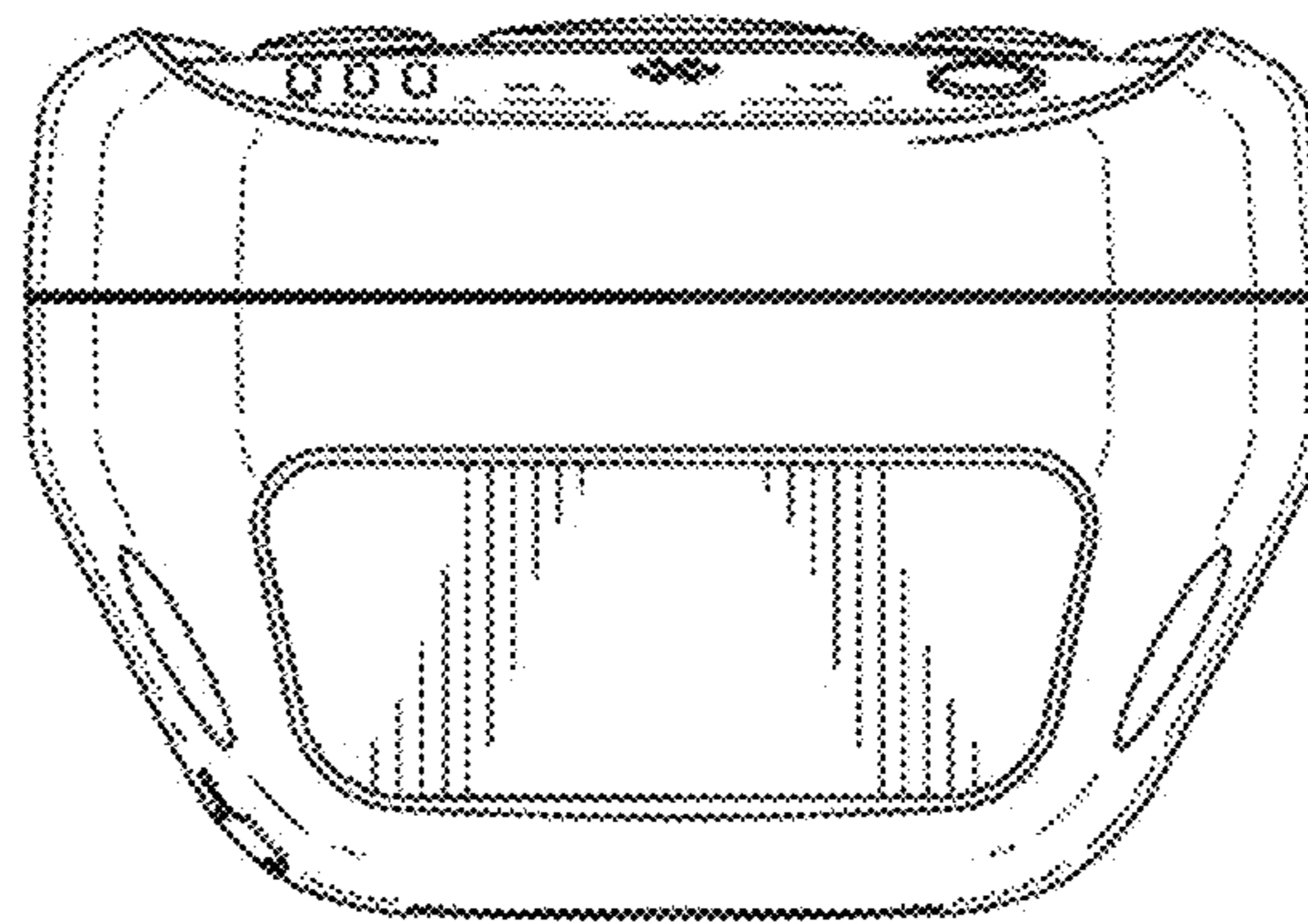


FIG. 8

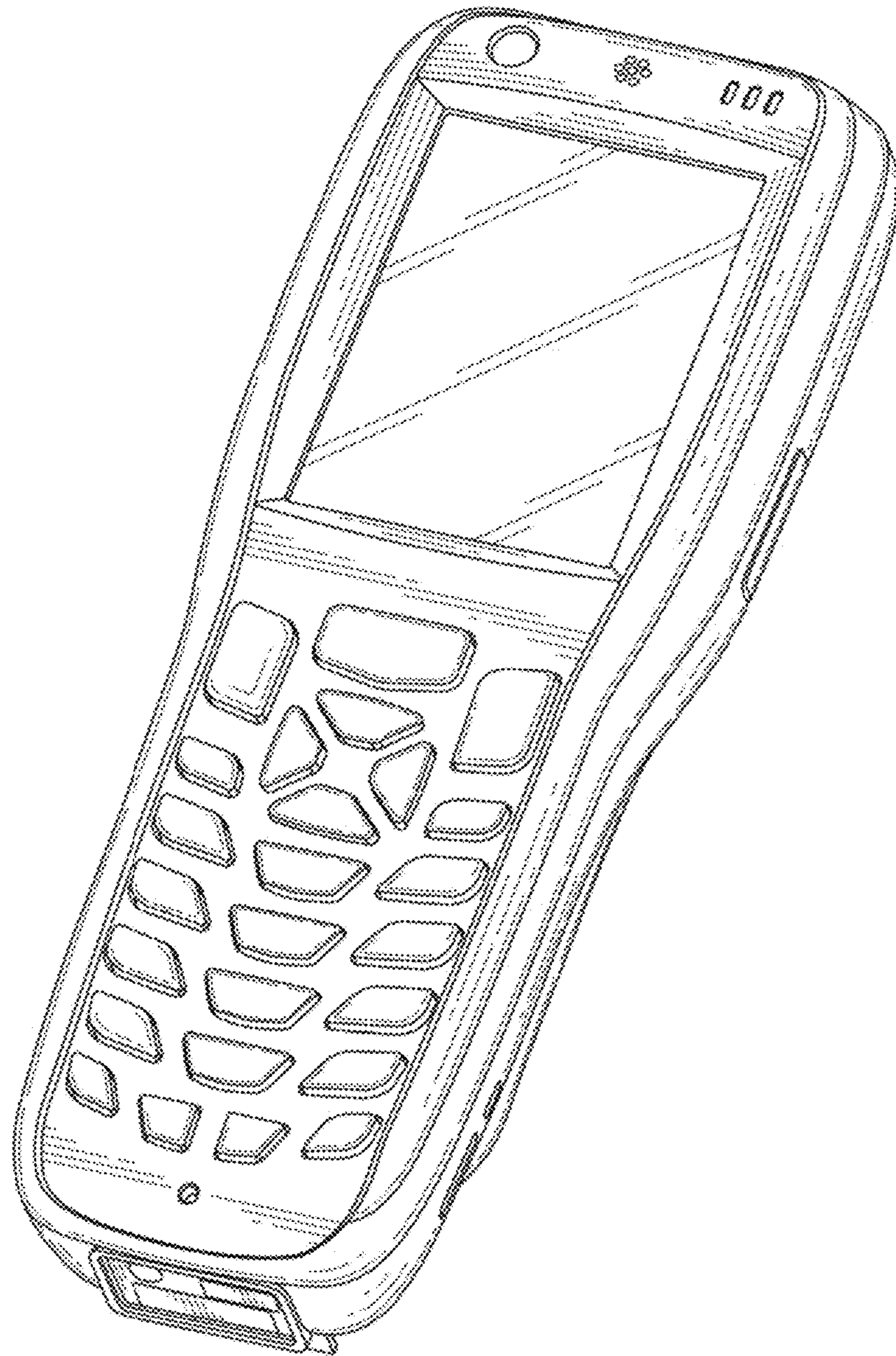


FIG. 9

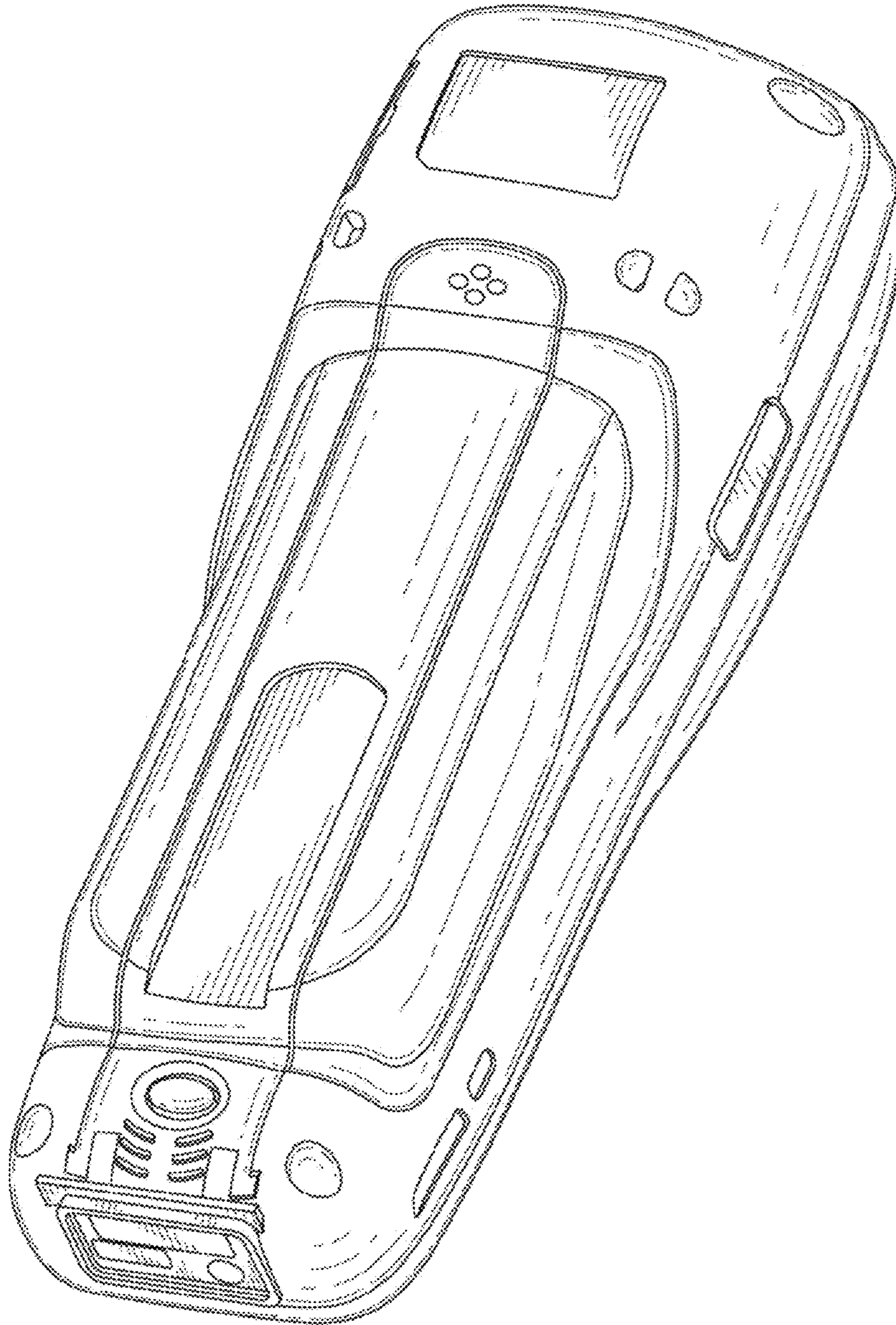


FIG. 10

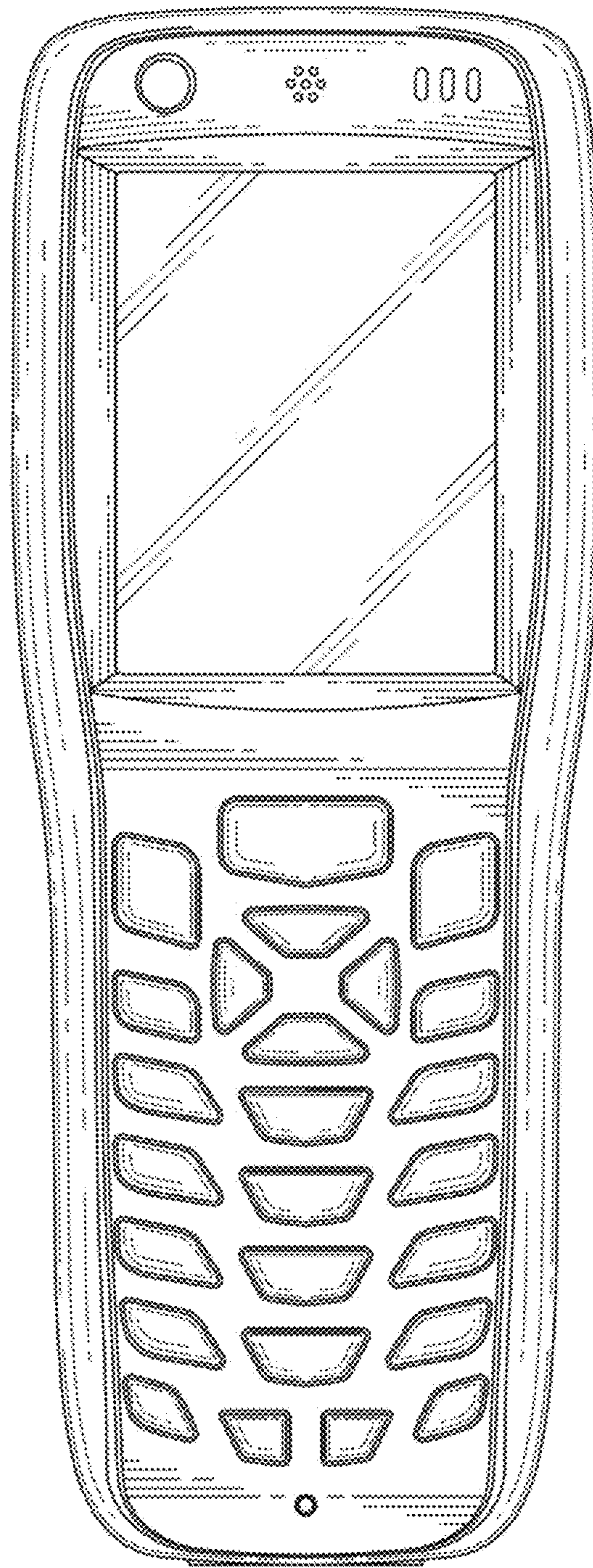


FIG. 11

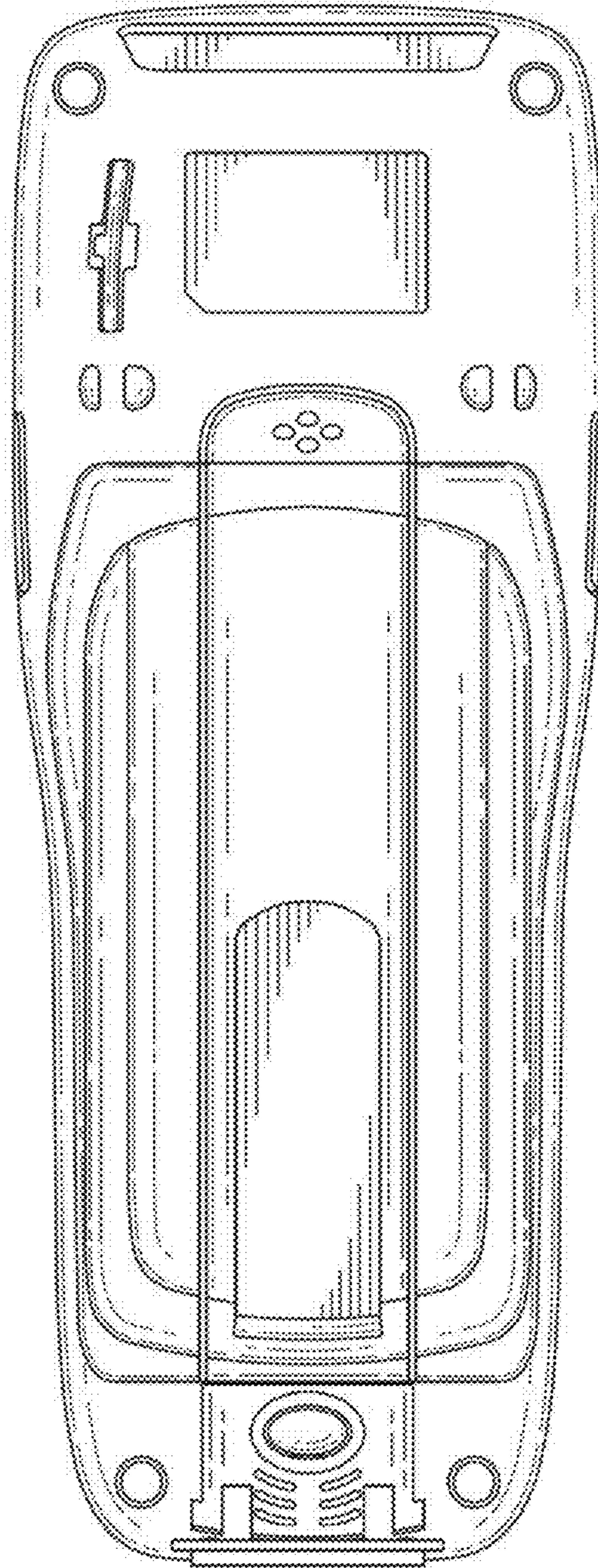


FIG. 12

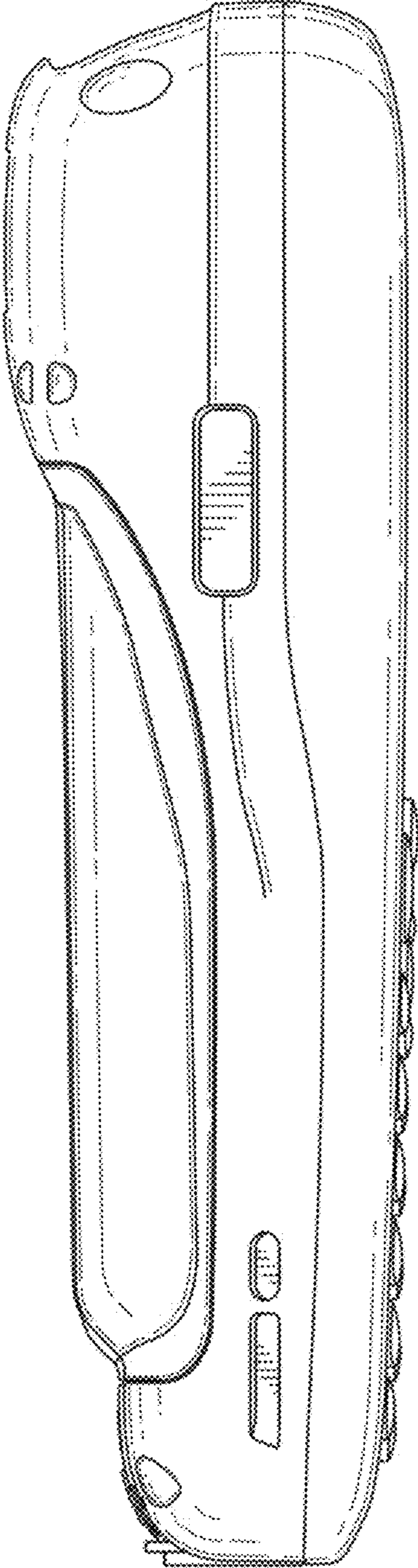


FIG. 13

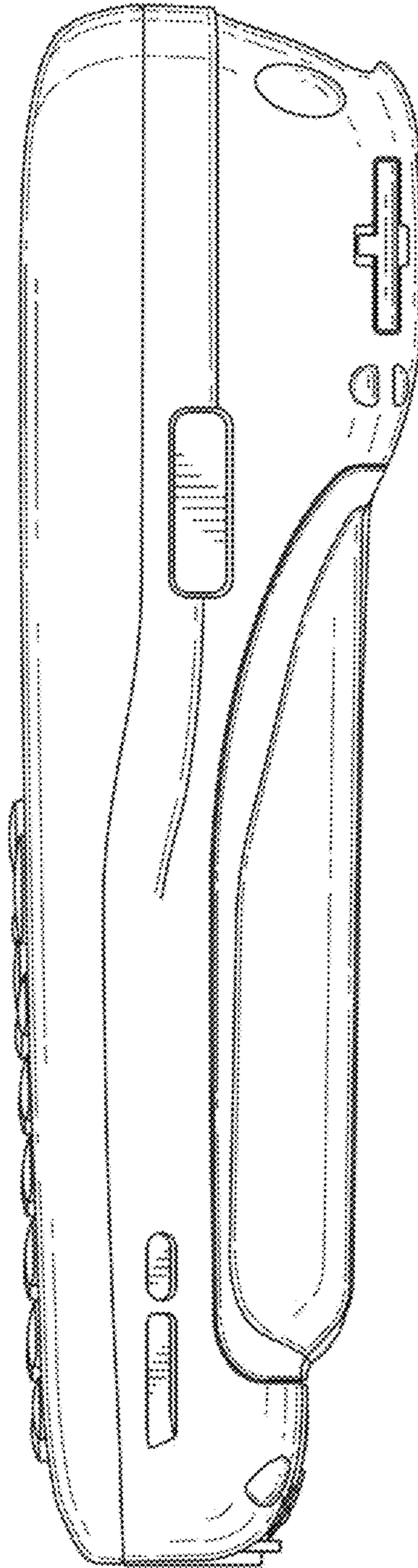


FIG. 14

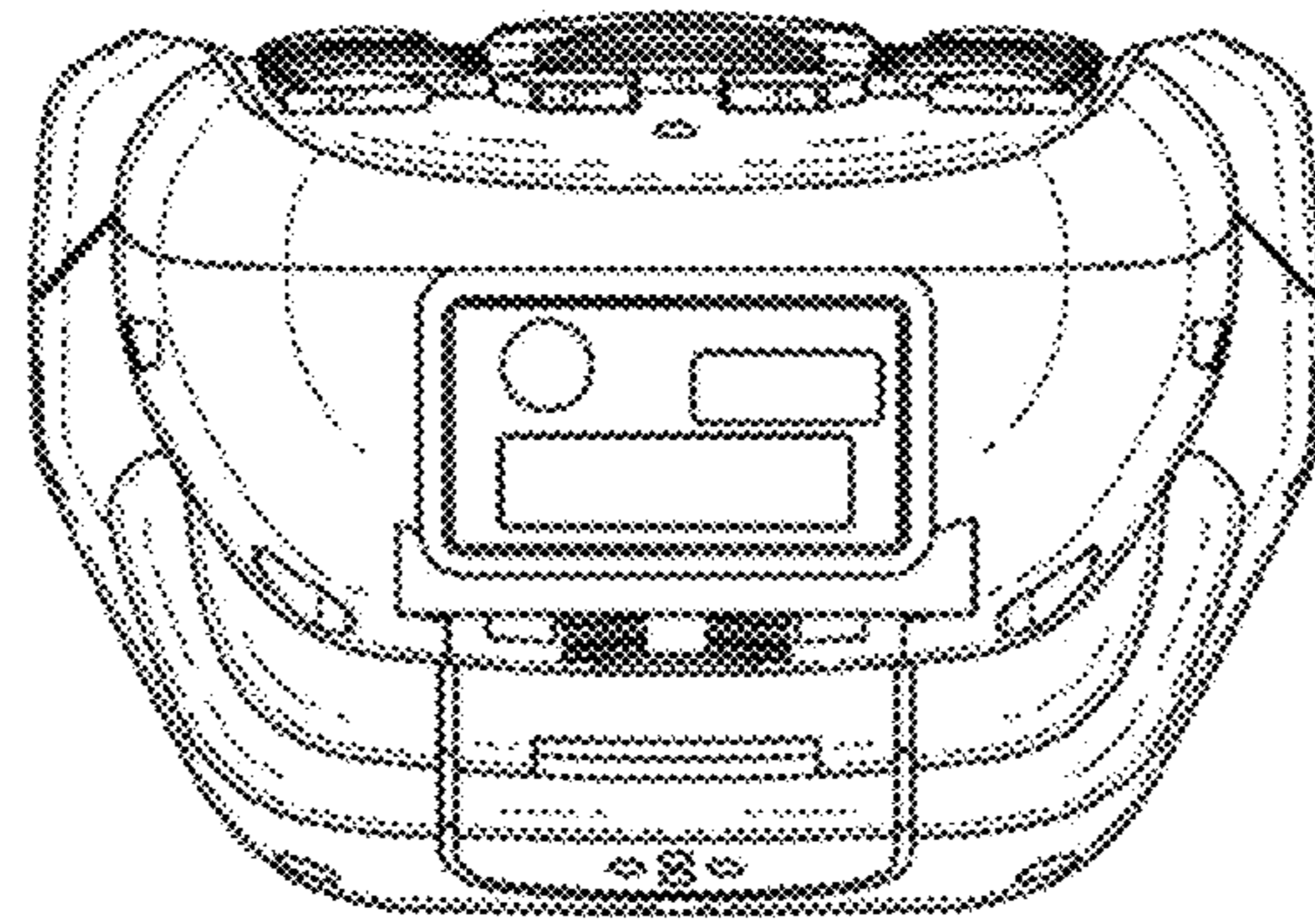


FIG. 15

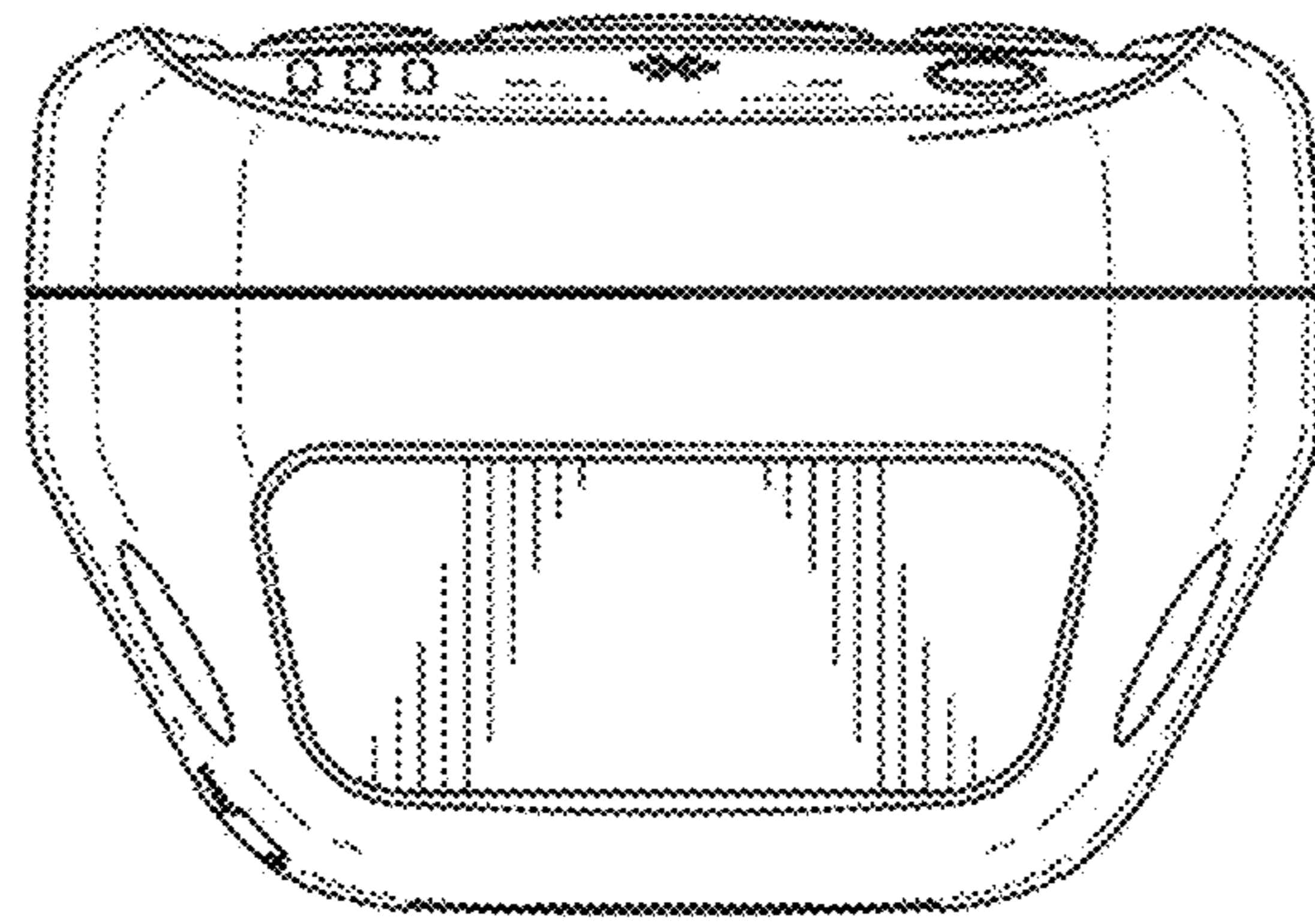


FIG. 16