



US00D747712S

(12) **United States Design Patent**
Kim et al.

(10) **Patent No.:** **US D747,712 S**
(45) **Date of Patent:** **** Jan. 19, 2016**

(54) **PORTABLE TERMINAL**

(56) **References Cited**

(71) Applicant: **SAMSUNG ELECTRONICS CO., LTD.**, Suwon-si (KR)

U.S. PATENT DOCUMENTS

(72) Inventors: **Chung-Ha Kim**, Seoul (KR); **Ji-Eun Myung**, Seoul (KR); **Sang-Won Yoon**, Seoul (KR)

D639,805	S	*	6/2011	Song et al.	D14/341
D648,698	S	*	11/2011	Suzuki	D14/138 G
D653,641	S	*	2/2012	Chen	D14/138 G
D663,298	S	*	7/2012	Song et al.	D14/341
D667,825	S	*	9/2012	Jung	D14/341
D668,650	S	*	10/2012	Han	D14/341
D670,260	S	*	11/2012	Kim et al.	D14/138 G
D671,940	S	*	12/2012	Kim	D14/374
D675,203	S	*	1/2013	Yang	D14/341
D675,586	S	*	2/2013	Choi	D14/138 G
D676,824	S	*	2/2013	Lee	D14/138 G
D677,255	S	*	3/2013	McManigal et al.	D14/341
D677,640	S	*	3/2013	Kim et al.	D14/138 G
D677,660	S	*	3/2013	Groene et al.	D14/341
D681,594	S	*	5/2013	Hong	D14/138 G
D686,176	S	*	7/2013	Kim	D14/138 G
D689,456	S	*	9/2013	Lee	D14/138 G
D689,481	S	*	9/2013	Song et al.	D14/341
D691,996	S	*	10/2013	Ohshima	D14/341
D697,065	S	*	1/2014	Kim et al.	D14/346
D701,190	S	*	3/2014	Lee	D14/138 G
D706,774	S	*	6/2014	Park et al.	D14/341
D719,122	S	*	12/2014	Ookawa et al.	D14/138 G

(73) Assignee: **SAMSUNG ELECTRONICS CO., LTD.** (KR)

(**) Term: **14 Years**

(21) Appl. No.: **29/469,982**

(22) Filed: **Oct. 16, 2013**

(30) **Foreign Application Priority Data**

Apr. 16, 2013 (KR) 30-2013-0019805

(51) **LOC (10) Cl.** **14-02**

(52) **U.S. Cl.**

USPC **D14/341**

(58) **Field of Classification Search**

USPC D14/341-347, 137, 138 R, 138 AA, D14/138 AB, 138 C, 138 G, 496, 203.1, D14/203.3, 203.4, 203.7, 129, 130, 147, D14/248, 250, 374, 385, 388, 389, 315-318, D14/439, 126, 336, 339, 340; D10/104.1; D21/329; 455/556.1, 556.2, 566, 455/575.1, 90.3; 379/433.04, 433.01, 379/433.06; 345/173, 901, 905; 361/679.26, 679.27, 679.3, 679.55, 361/679.56, 680-686; D6/308, 310; 348/373, 376; 248/917-924

CPC A63H 33/3016; G06F 1/1613; H04M 1/0202; H04M 1/0279; H04M 1/0281; H04M 1/0283

See application file for complete search history.

* cited by examiner

Primary Examiner — Barbara Fox

Assistant Examiner — Dana K Weiland

(74) *Attorney, Agent, or Firm* — Cantor Colburn LLP

(57) **CLAIM**

The ornamental design for a portable terminal, as shown and described.

DESCRIPTION

FIG. 1 is a top front perspective view of a portable terminal showing our new design;
 FIG. 2 is a front view thereof;
 FIG. 3 is a rear view thereof;
 FIG. 4 is a side view thereof;
 FIG. 5 is another side view thereof;
 FIG. 6 is a top view thereof; and,
 FIG. 7 is a bottom view thereof.

The broken lines shown in the drawings represent portions of the portable terminal that form no part of the claimed design.

1 Claim, 3 Drawing Sheets

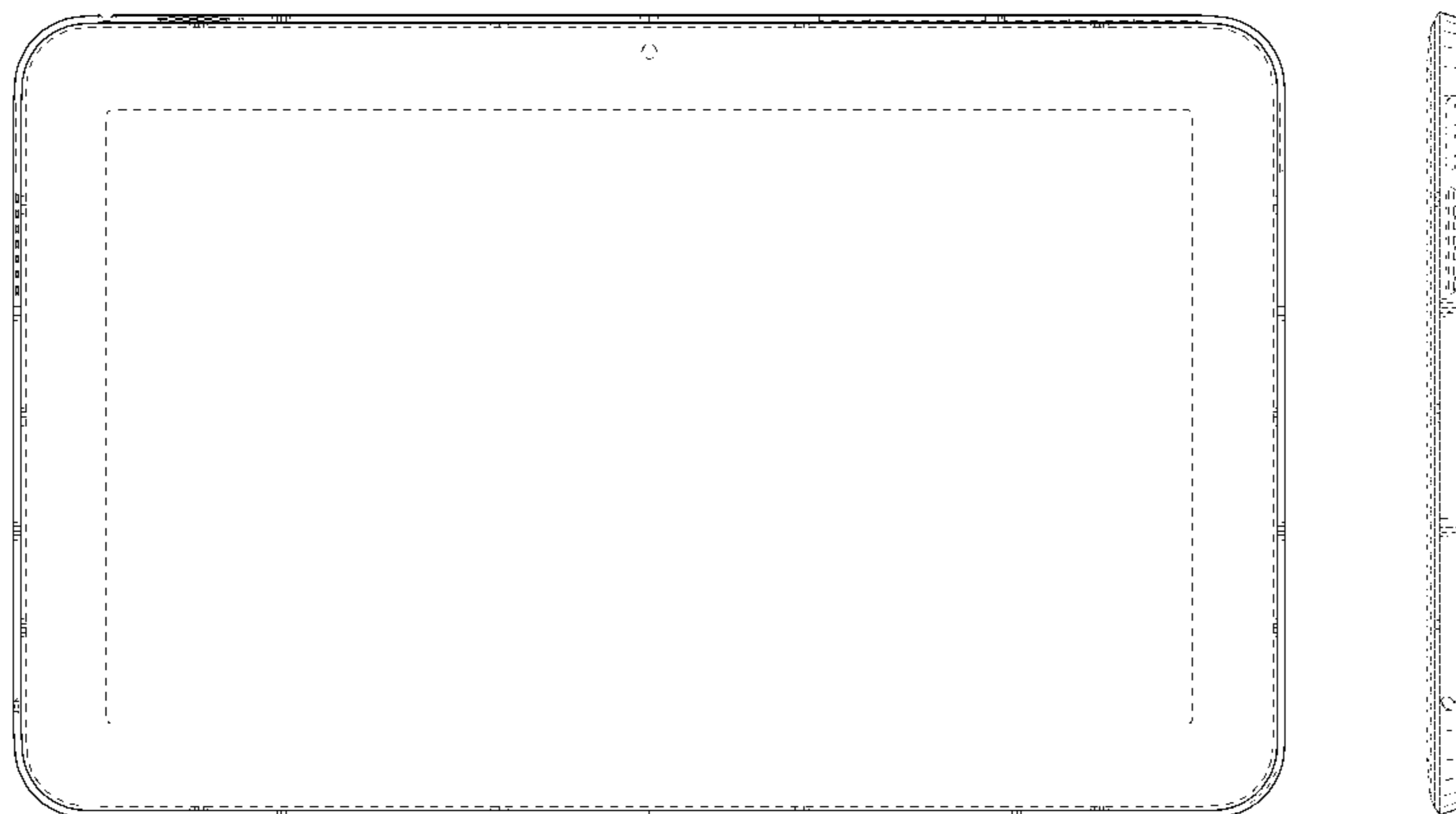


FIG.1

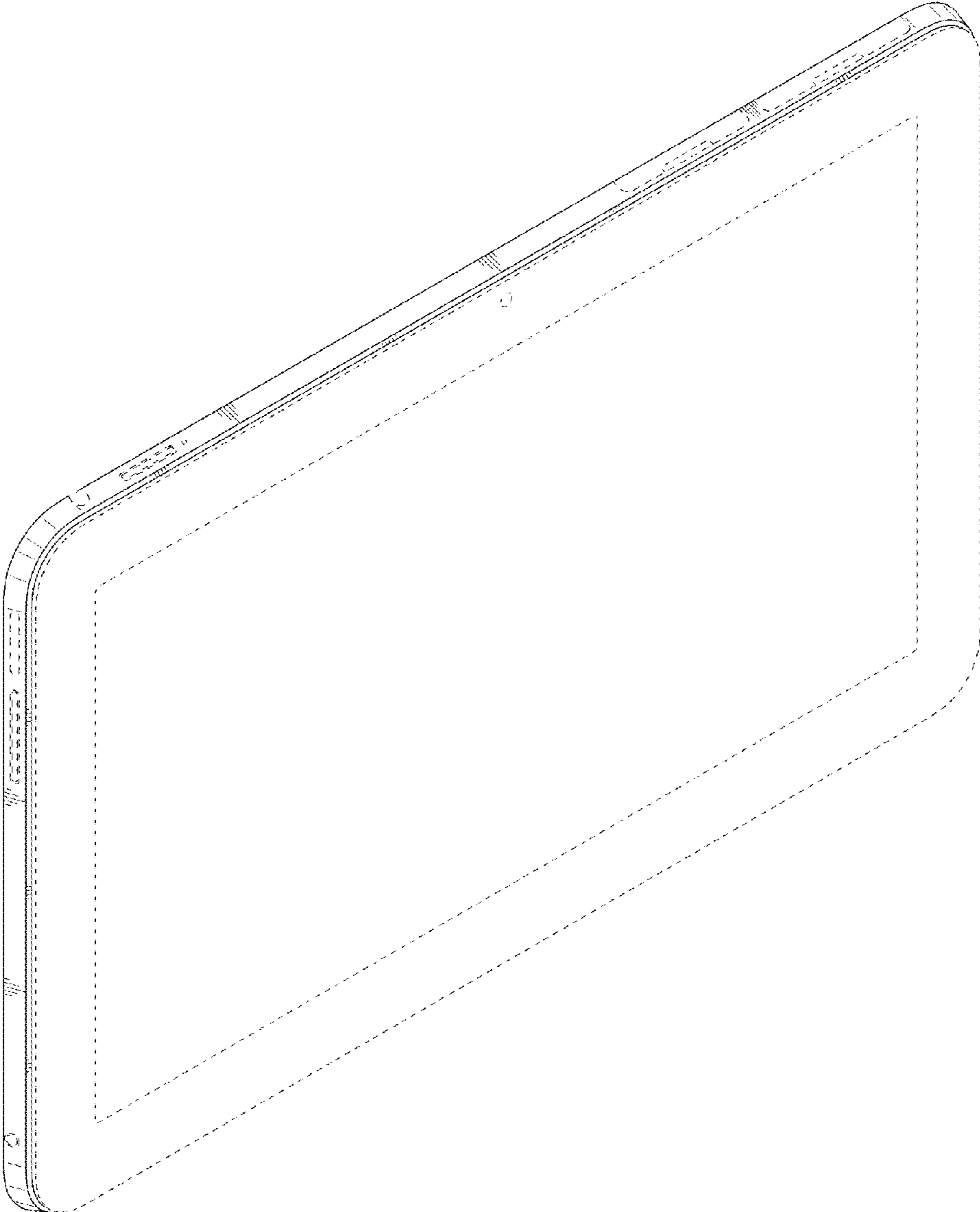


FIG.2

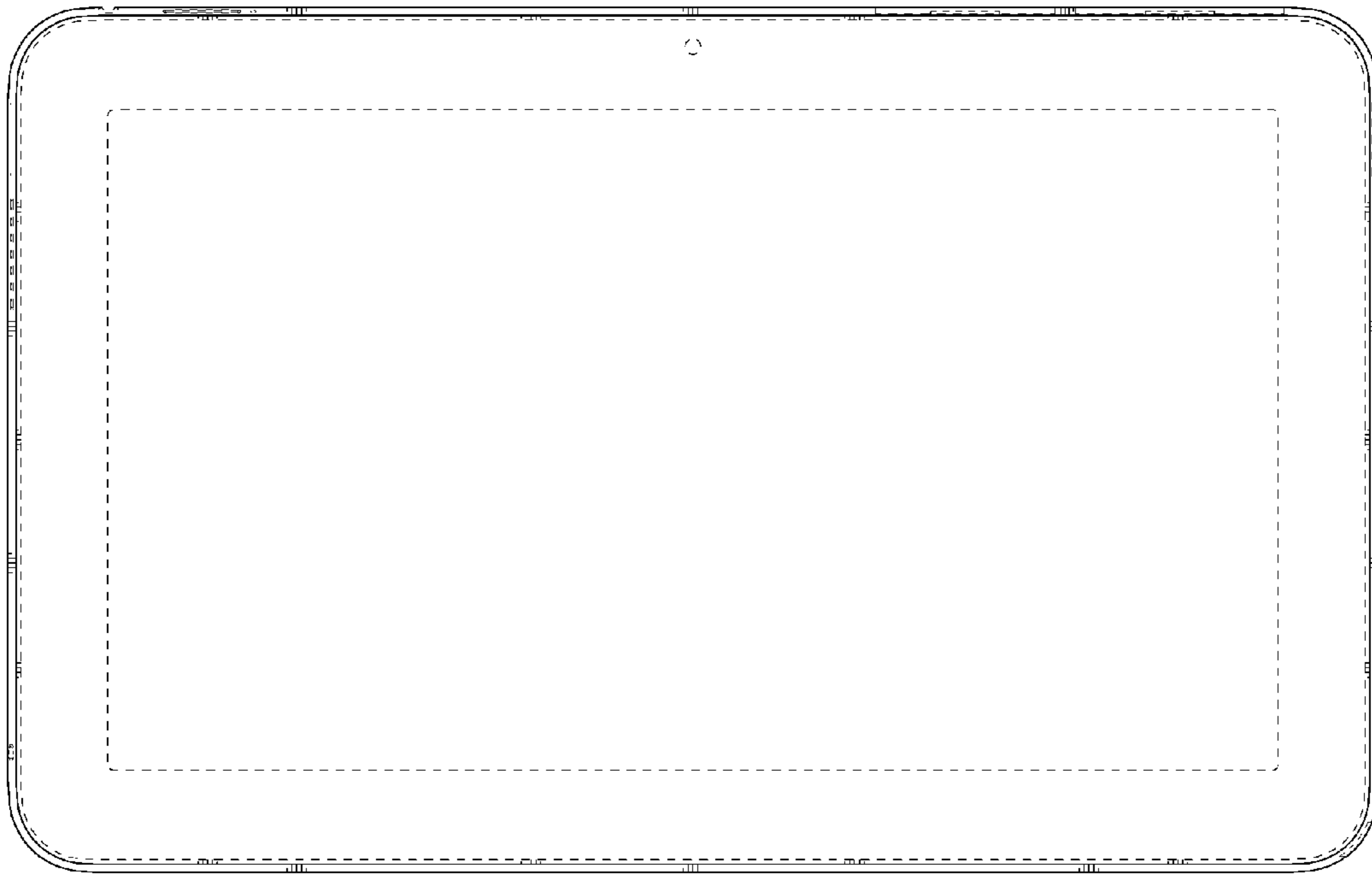


FIG.3

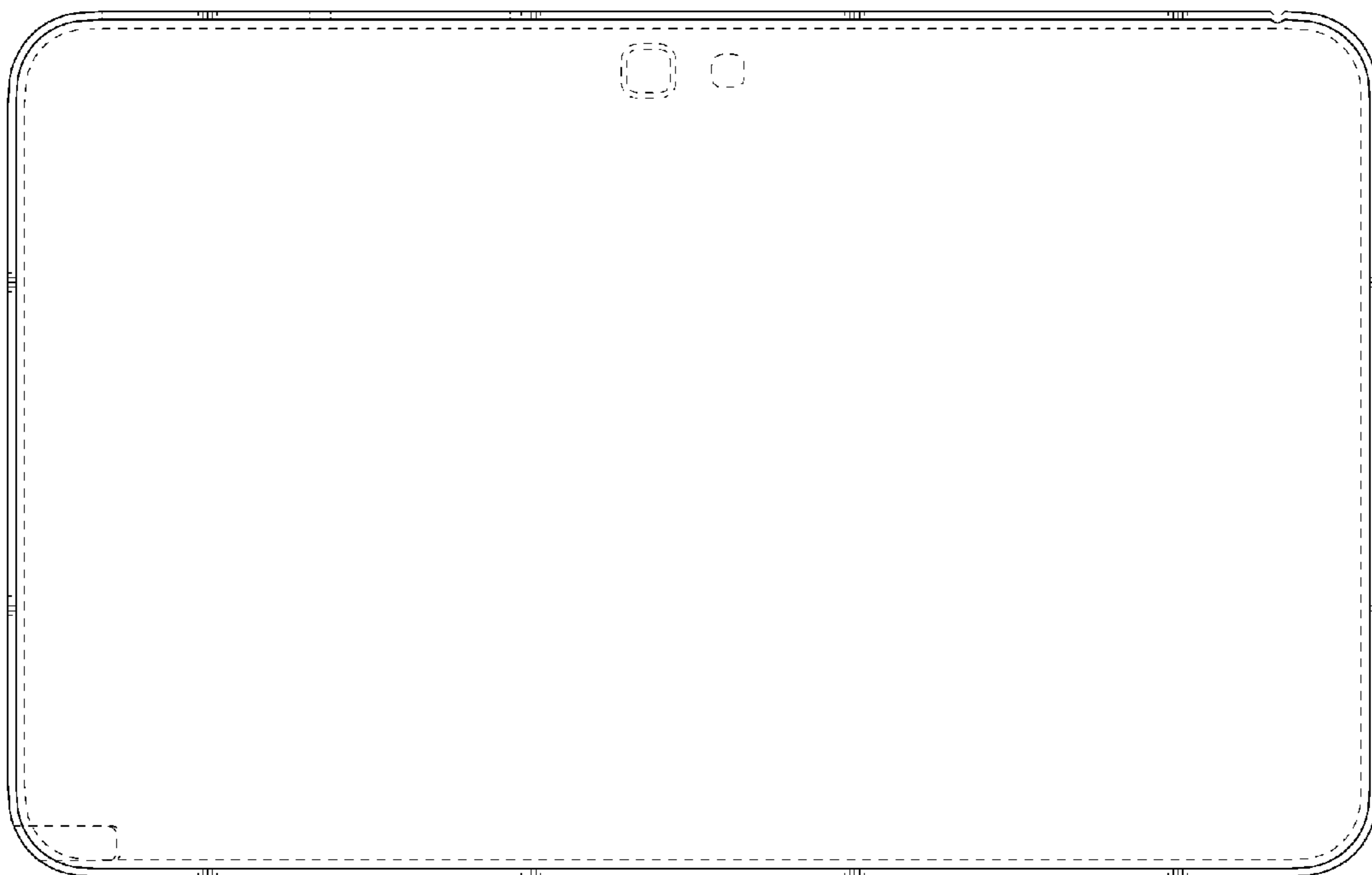


FIG.4

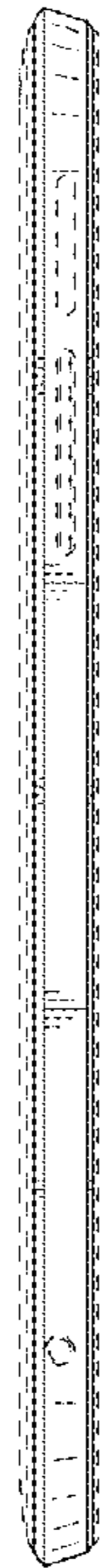


FIG.5



FIG.6

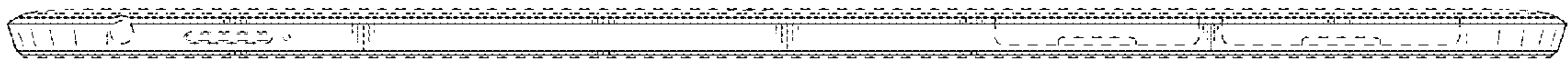


FIG.7

