



US00D747706S

(12) **United States Design Patent**
Tien

(10) **Patent No.:** **US D747,706 S**
(45) **Date of Patent:** **** Jan. 19, 2016**

(54) **PROTECTIVE COVER**

(71) Applicant: **HON HAI PRECISION INDUSTRY CO., LTD.**, New Taipei (TW)

(72) Inventor: **Li-Wen Tien**, New Taipei (TW)

(73) Assignee: **HON HAI PRECISION INDUSTRY CO., LTD.**, New Taipei (TW)

(**) Term: **14 Years**

(21) Appl. No.: **29/503,131**

(22) Filed: **Sep. 23, 2014**

(30) **Foreign Application Priority Data**

Aug. 27, 2014 (CN) 2014 3 0311356

(51) **LOC (10) Cl.** **14-08**

(52) **U.S. Cl.**
USPC **D14/250**

(58) **Field of Classification Search**
USPC D14/250, 251, 253, 240, 217, 496, 440,
D14/203.3, 203.4, 203.5, 203.8, 341, 318;
D3/218, 215, 201, 294, 289, 900;
220/4.02; 248/309.1; 361/679.56;
379/426, 433.11, 455; 455/575.1,
455/575.8; 190/100; 206/305, 320
CPC .. H04M 1/185; H04M 1/0252; H04B 1/3888;
G06F 1/1601; G06F 1/1626; G06F 1/1633;
G06F 1/1675; G06F 1/1679; G02F 1/1306;
G02F 1/133; G02F 1/153; G02F 1/1533;
G02F 2001/133317

See application file for complete search history.

(56) **References Cited**

U.S. PATENT DOCUMENTS

D663,294	S *	7/2012	Buxton	D14/250
8,359,078	B2 *	1/2013	Hung	B65D 25/00 379/437
D712,391	S *	9/2014	Kim	D14/250
D715,789	S *	10/2014	Yoon	D14/250
2010/0059649	A1 *	3/2010	Buxton	F16M 13/00 248/371
2013/0126365	A1 *	5/2013	Hung	B65D 25/00 206/45.24

* cited by examiner

Primary Examiner — Cynthia M Chin

(74) *Attorney, Agent, or Firm* — Novak Druce Connolly Bove + Quigg LLP

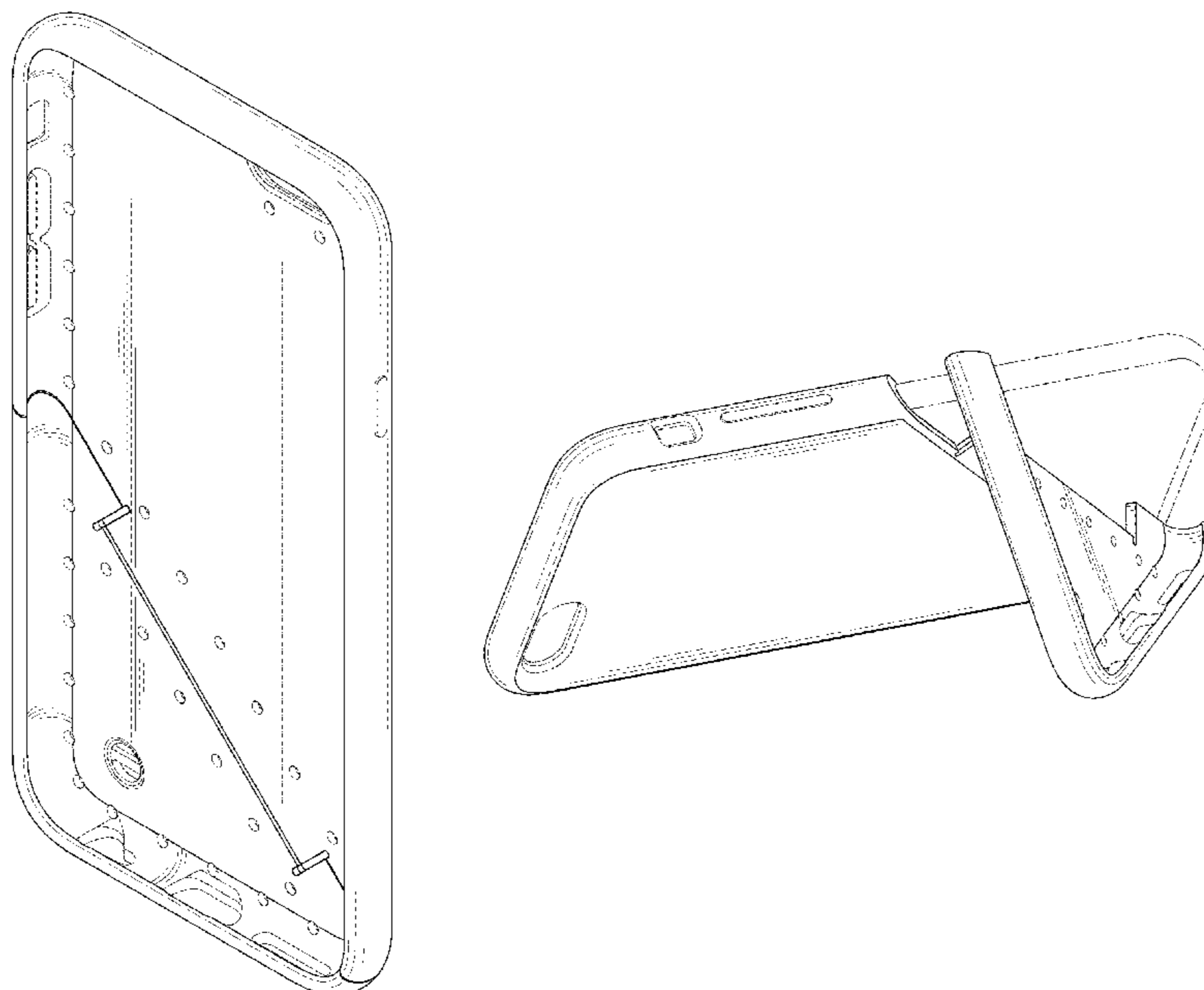
(57) **CLAIM**

I claim the ornamental design for a protective cover, as shown and described.

DESCRIPTION

FIG. 1 is a perspective view of a protective cover;
FIG. 2 is a front elevational view thereof;
FIG. 3 is a rear elevational view thereof;
FIG. 4 is a left side elevational view thereof;
FIG. 5 is a right side elevational view thereof;
FIG. 6 is a top plan view thereof;
FIG. 7 is a bottom plan view thereof;
FIG. 8 is a reference perspective view showing the protective cover in use; and,
FIG. 9 is another reference perspective view showing the protective cover in use.
The broken lines represent portions of the protective cover that form no part of the claim.

1 Claim, 9 Drawing Sheets



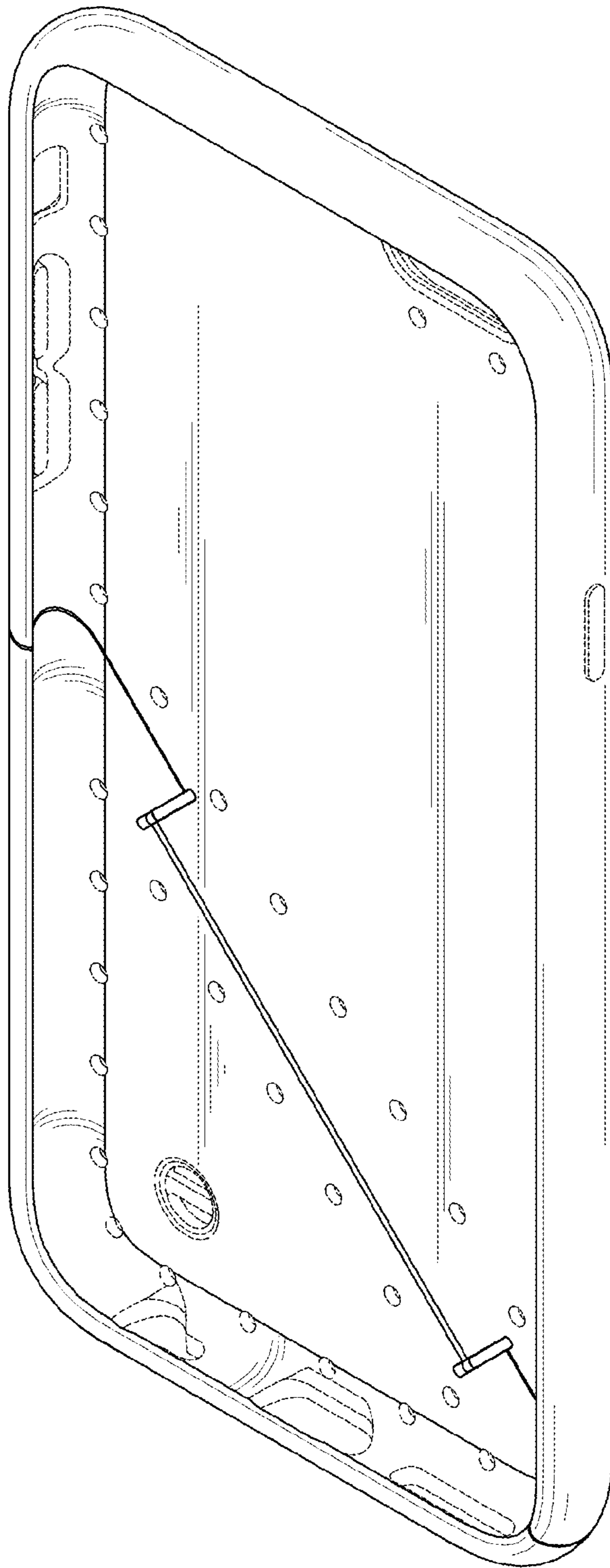


FIG. 1

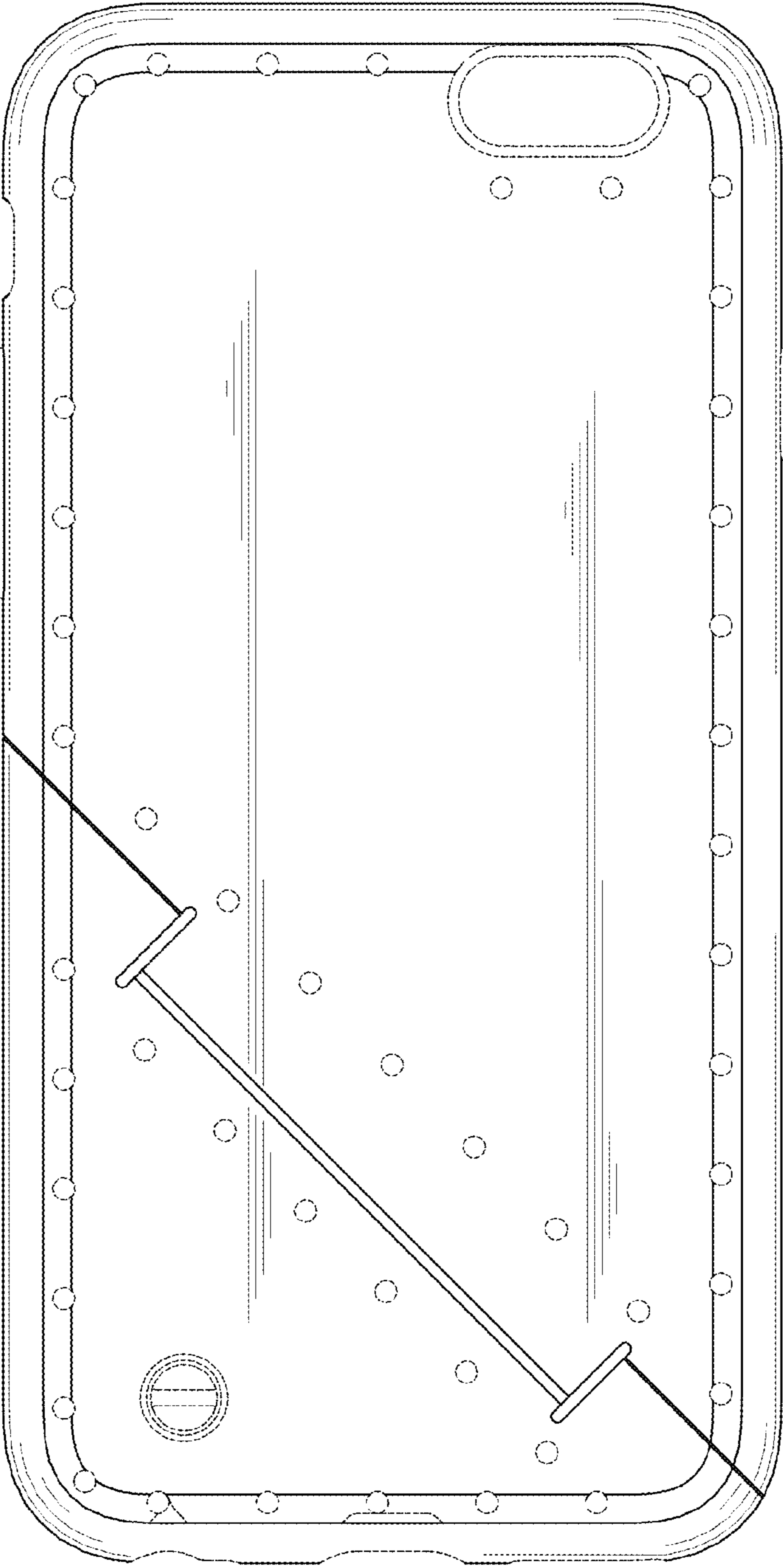


FIG. 2

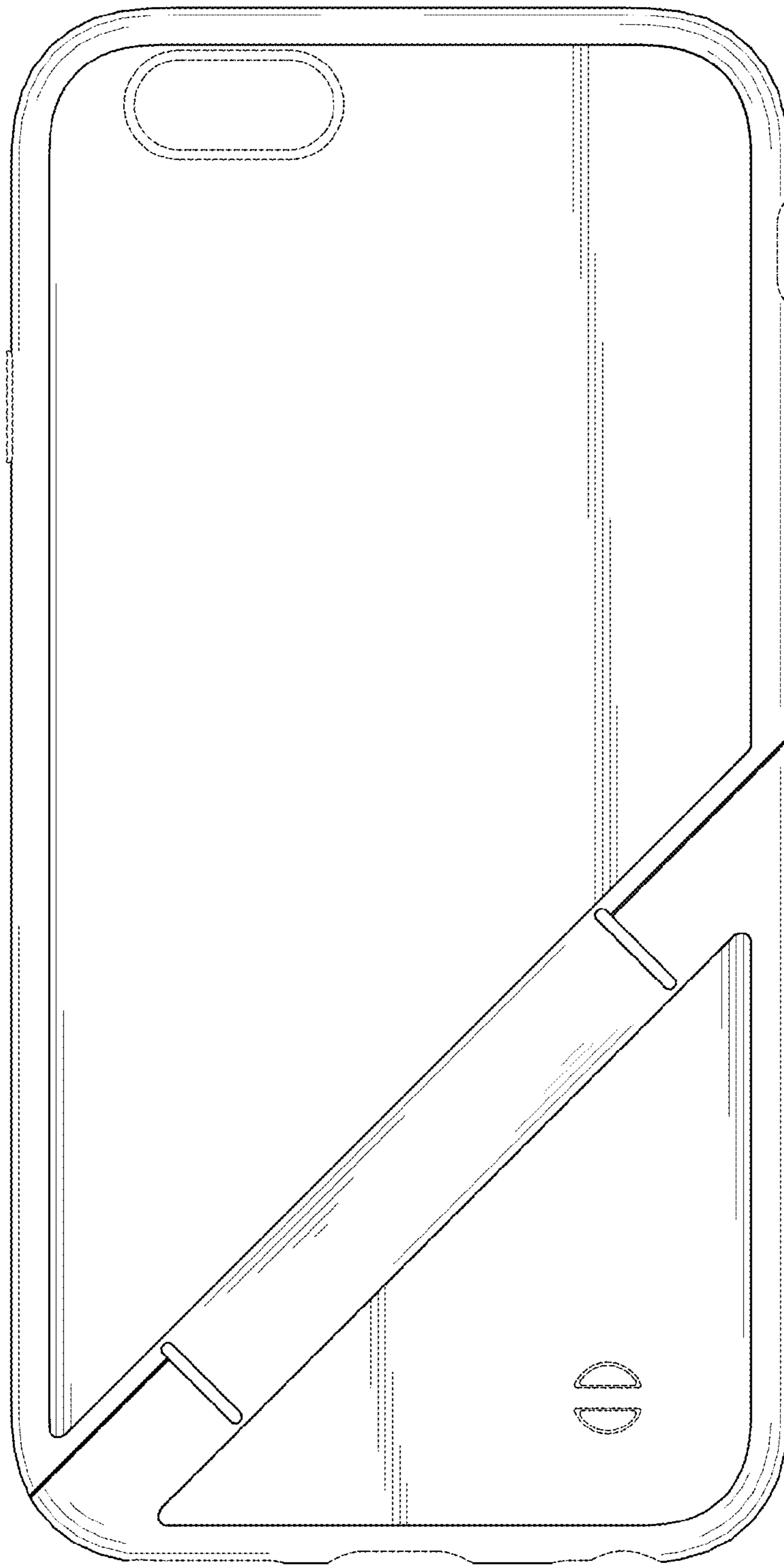


FIG. 3

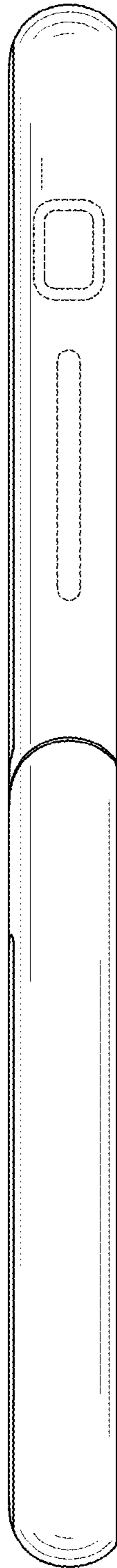


FIG. 4

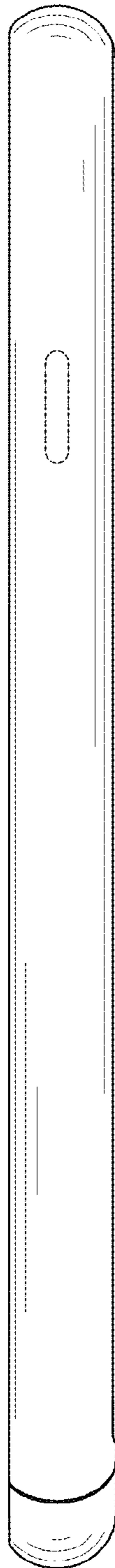


FIG. 5



FIG. 6

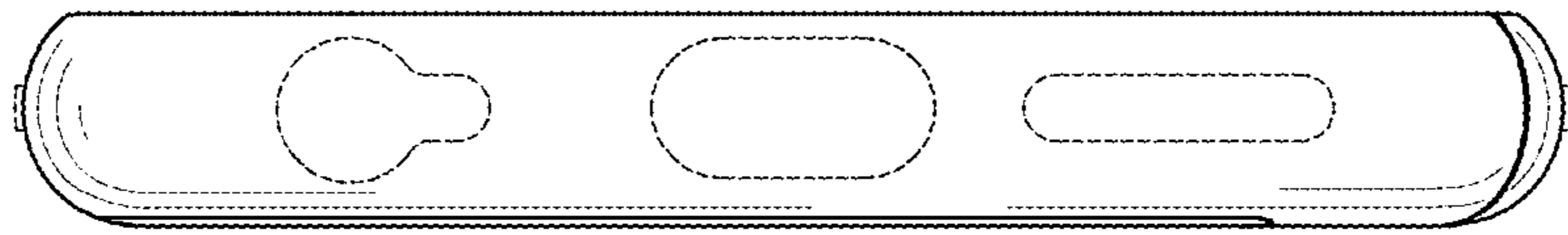


FIG. 7

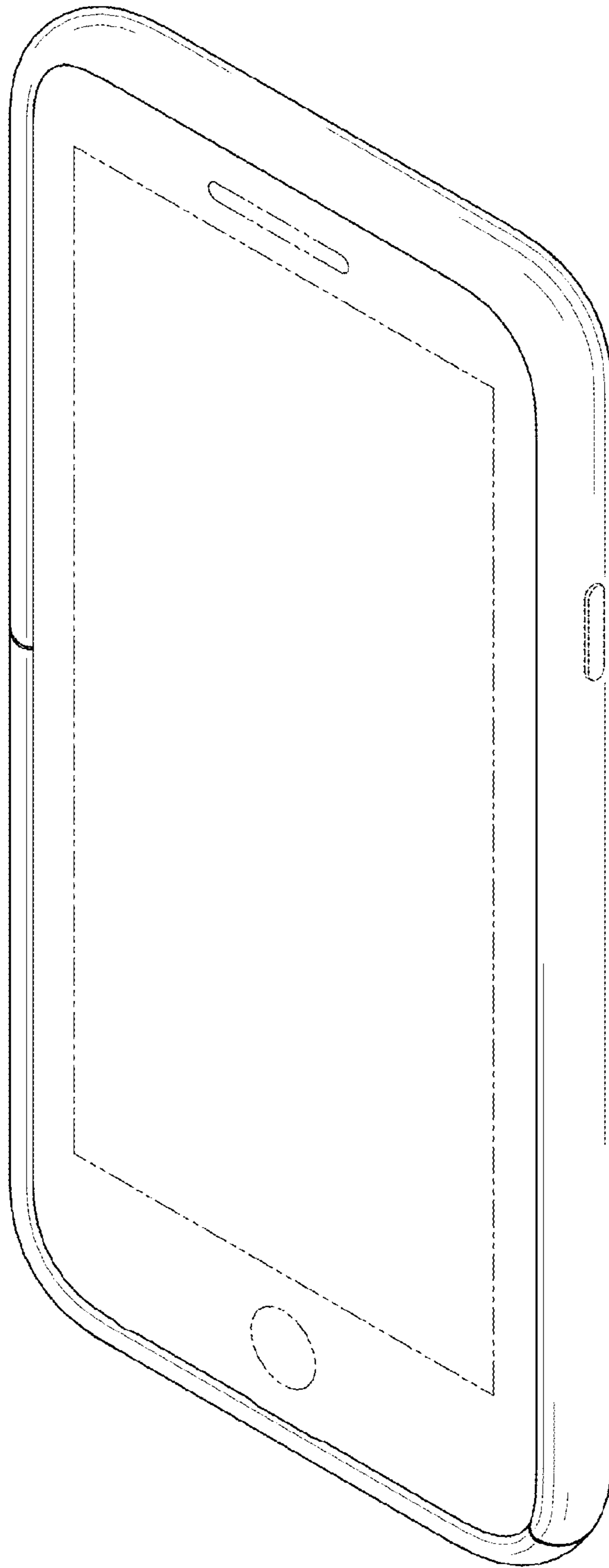


FIG. 8

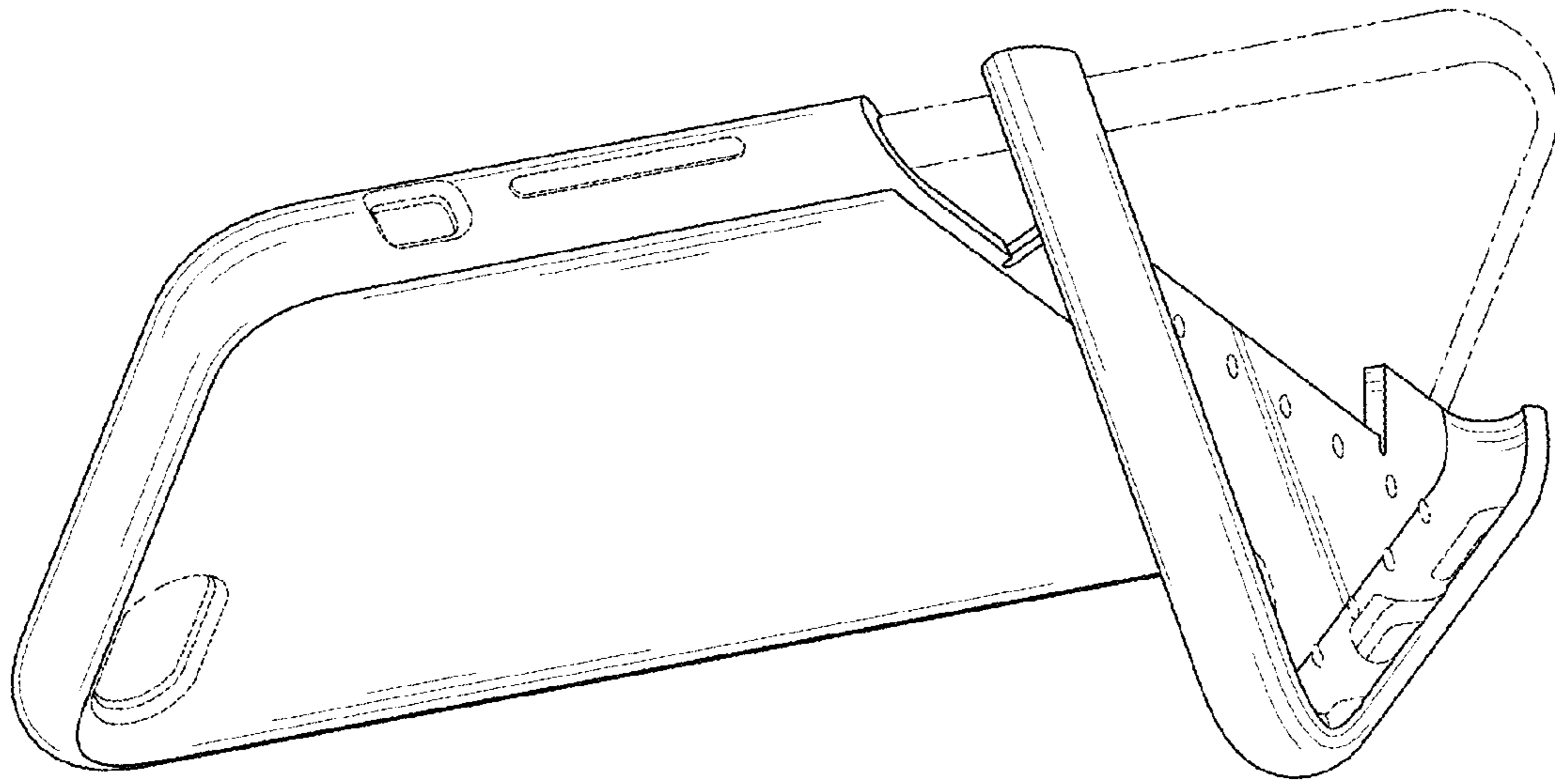


FIG. 9