



US00D747704S

(12) **United States Design Patent**  
**Tsou**

(10) **Patent No.:** **US D747,704 S**  
(45) **Date of Patent:** **\*\* Jan. 19, 2016**

- (54) **PHONE HOLDER**
- (71) Applicant: **Cleer Gear LLC**, San Francisco, CA (US)
- (72) Inventor: **Peter Christian Tsou**, San Francisco, CA (US)
- (73) Assignee: **CLEER GEAR LLC**, San Francisco, CA (US)
- (\*\*) Term: **14 Years**
- (21) Appl. No.: **29/499,605**
- (22) Filed: **Aug. 16, 2014**
- (51) **LOC (10) Cl.** ..... **14-03**
- (52) **U.S. Cl.**  
USPC ..... **D14/242**
- (58) **Field of Classification Search**  
USPC ..... D14/137, 140, 140.8, 142, 204, 209.1, D14/217, 221, 238.1, 243-256, 434, 440, D14/444-447; 248/176.1, 177.1, 187.1; 361/679.01, 679.02, 679.55, 679.56  
See application file for complete search history.

- D718,298 S \* 11/2014 Aspinall ..... D14/253
- D725,514 S \* 3/2015 Broadbent ..... D10/74
- D727,333 S \* 4/2015 Shih ..... D14/447
- D732,037 S \* 6/2015 Wylie ..... D14/434
- D733,115 S \* 6/2015 Aspinall ..... D14/253
- D733,116 S \* 6/2015 Aspinall ..... D14/253
- D733,697 S \* 7/2015 Palan ..... D14/253

\* cited by examiner

*Primary Examiner* — Susan Bennett Hattan  
*Assistant Examiner* — Leanne Was

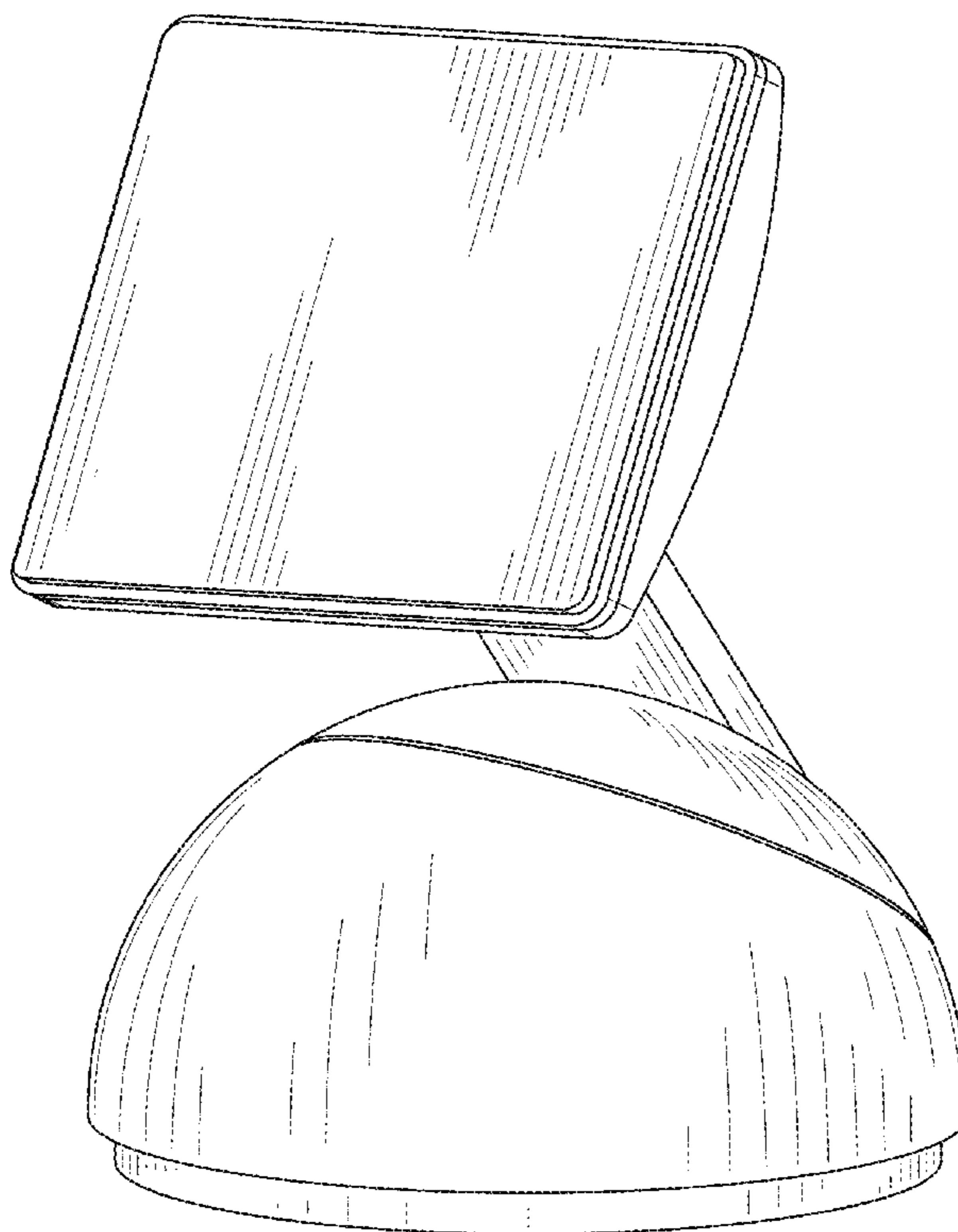
(57) **CLAIM**  
The ornamental design for a phone holder, as shown and described.

**DESCRIPTION**

FIG. 1 is a perspective view of a phone holder, showing my new design;  
FIG. 2 is a front elevational view thereof;  
FIG. 3 is a back elevational view thereof;  
FIG. 4 is a right side view thereof;  
FIG. 5 is a left side view thereof;  
FIG. 6 is a top plan view thereof;  
FIG. 7 is a bottom plan view thereof; and,  
FIG. 8 is another perspective view thereof with a phone shown in broken lines.  
The broken lines showing the phone are included for the purpose of illustrating environmental structures and form no part of the claimed design.  
The broken lines in FIG. 7 depict a portion of the phone holder that forms no part of the claimed design.

- (56) **References Cited**  
U.S. PATENT DOCUMENTS  
D691,585 S \* 10/2013 Schul ..... D14/204  
D705,234 S \* 5/2014 Guran ..... D14/447  
D709,066 S \* 7/2014 Byun ..... D14/253

**1 Claim, 5 Drawing Sheets**



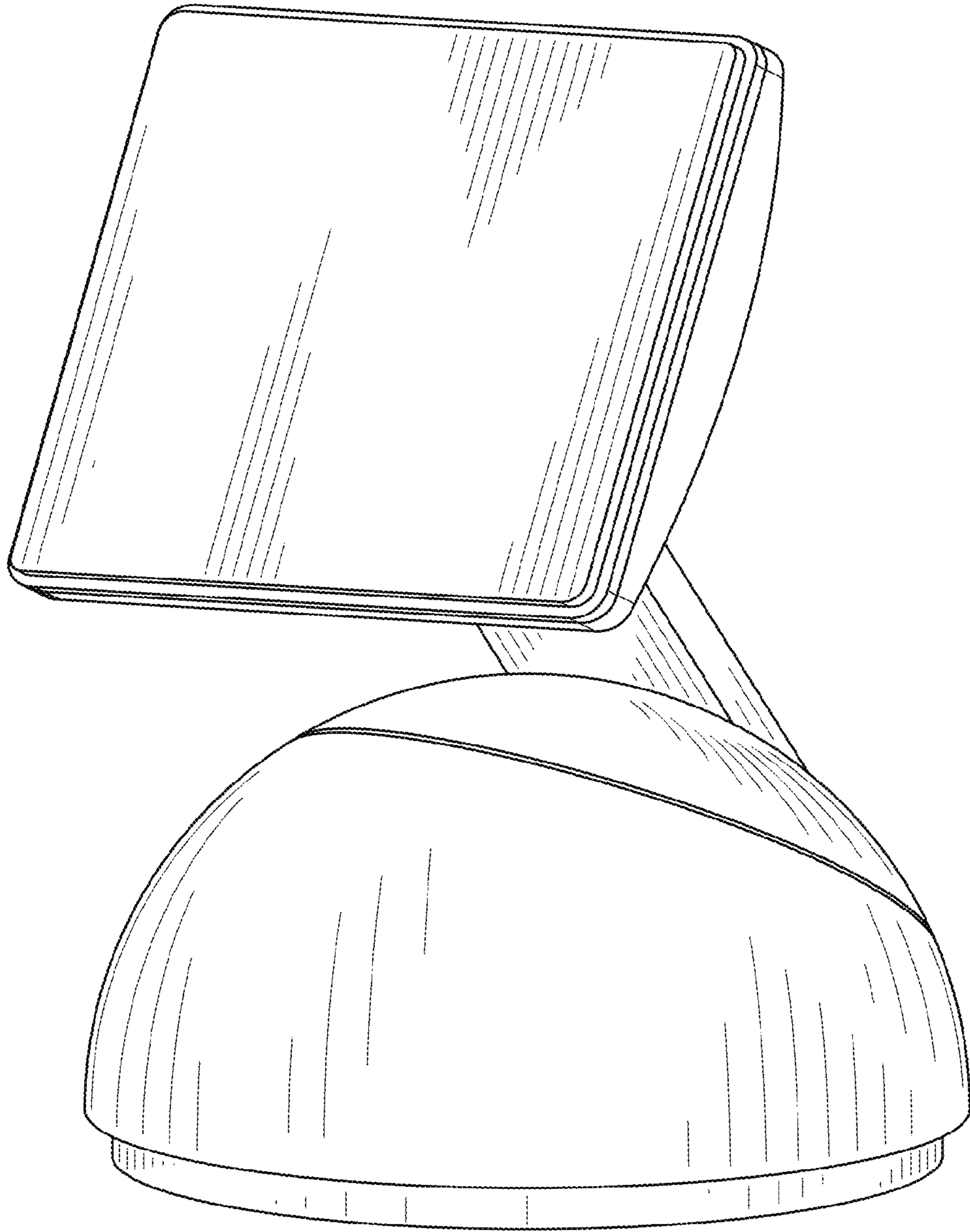


FIG. 1

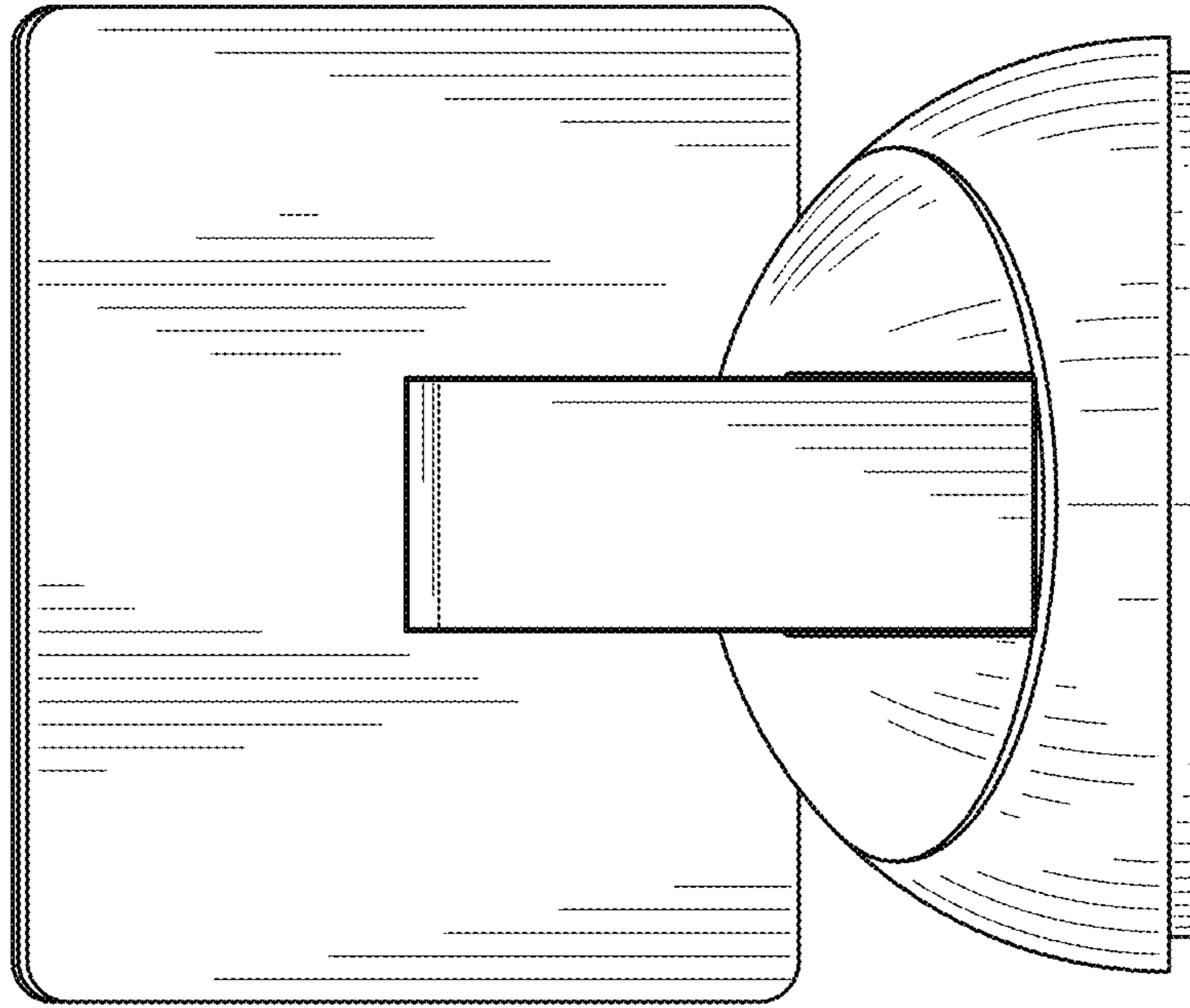


FIG. 3

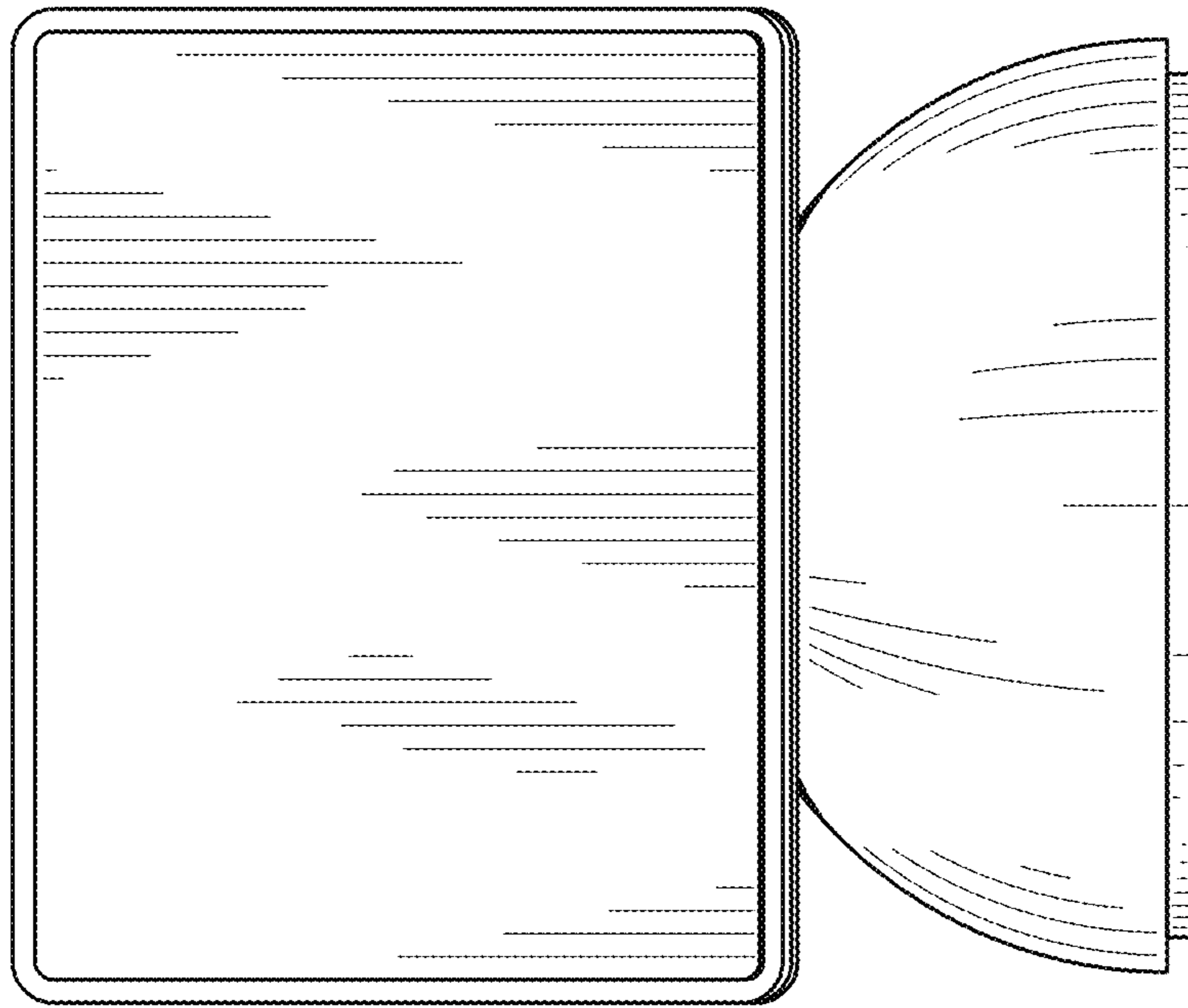


FIG. 2

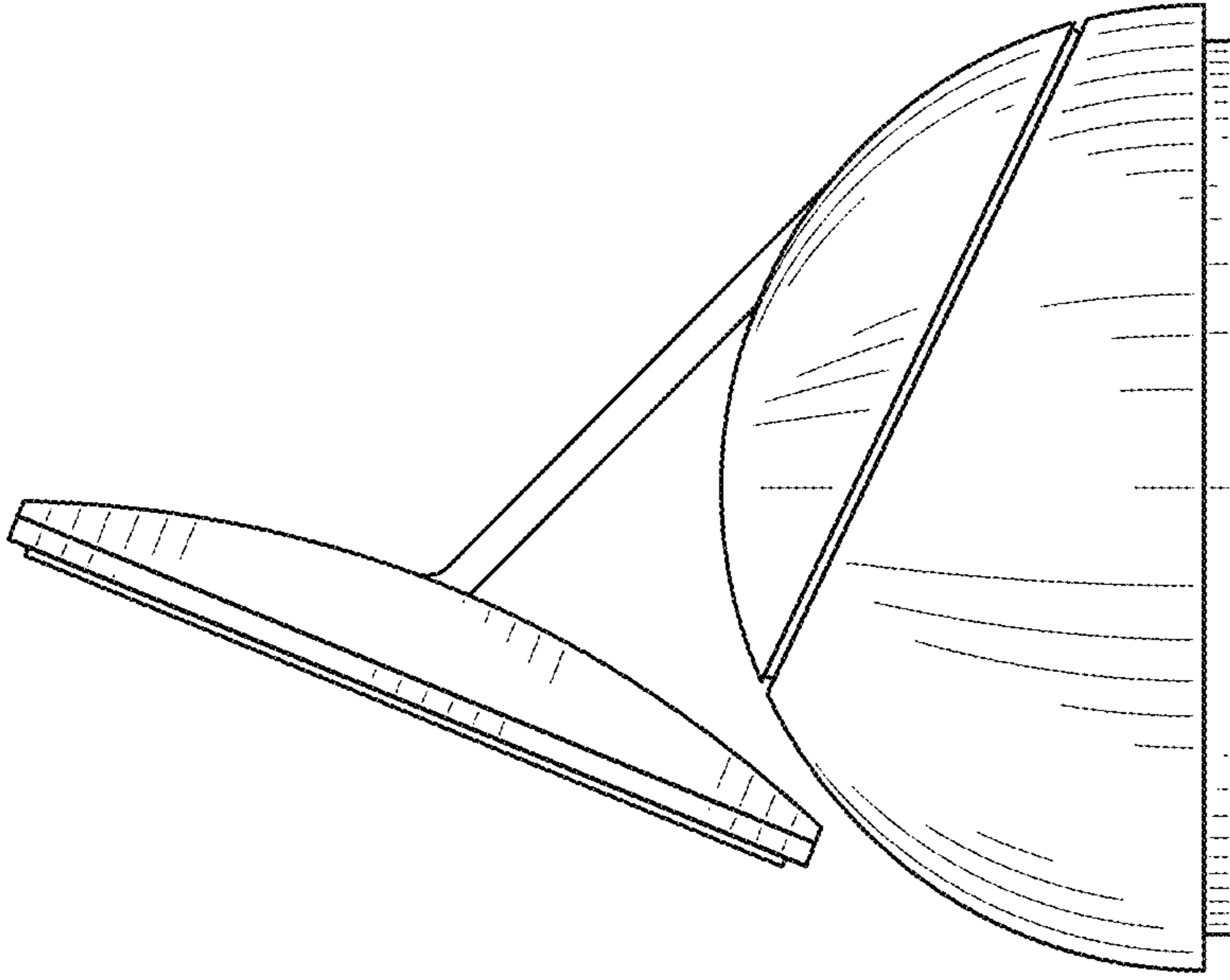


FIG. 5

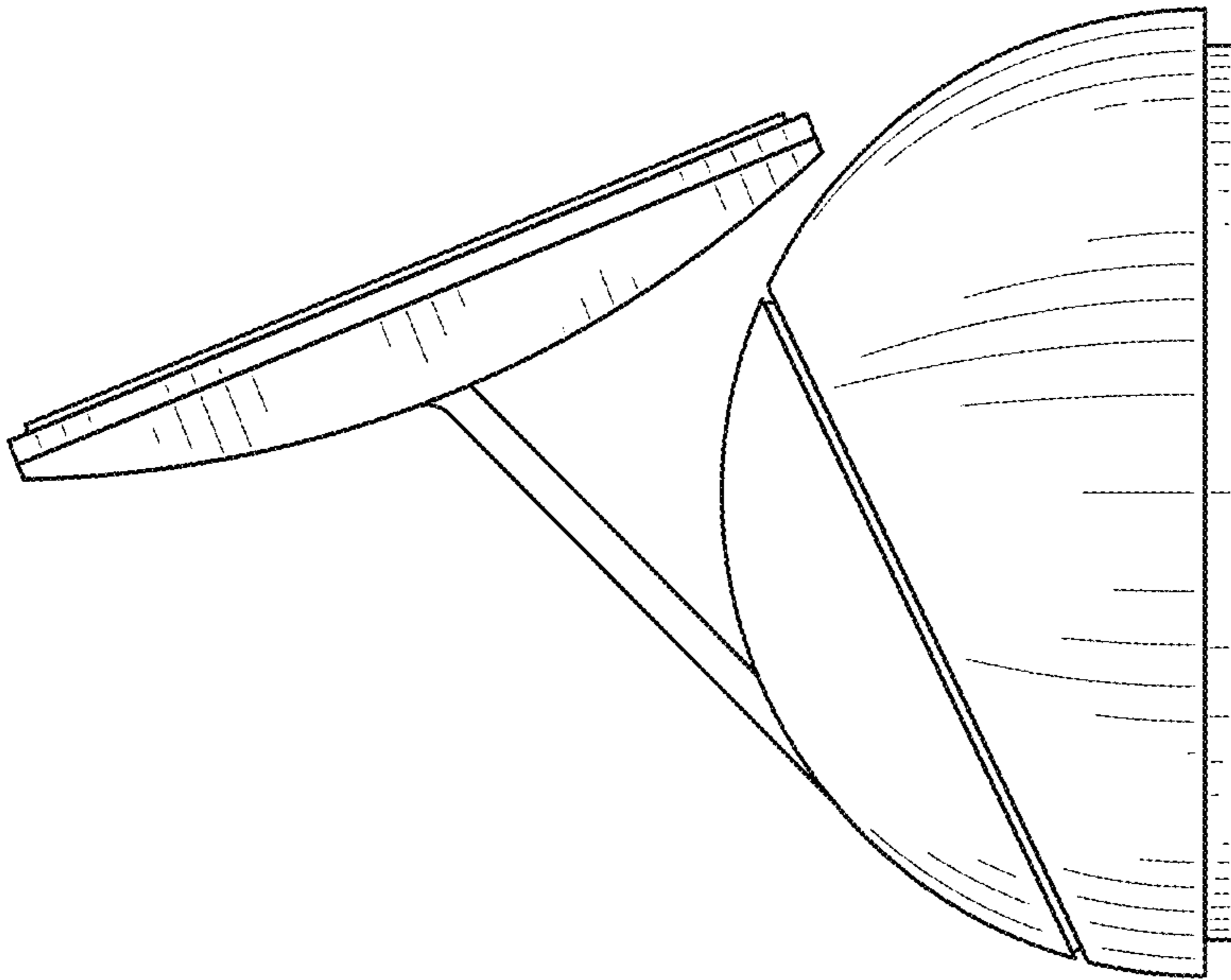


FIG. 4

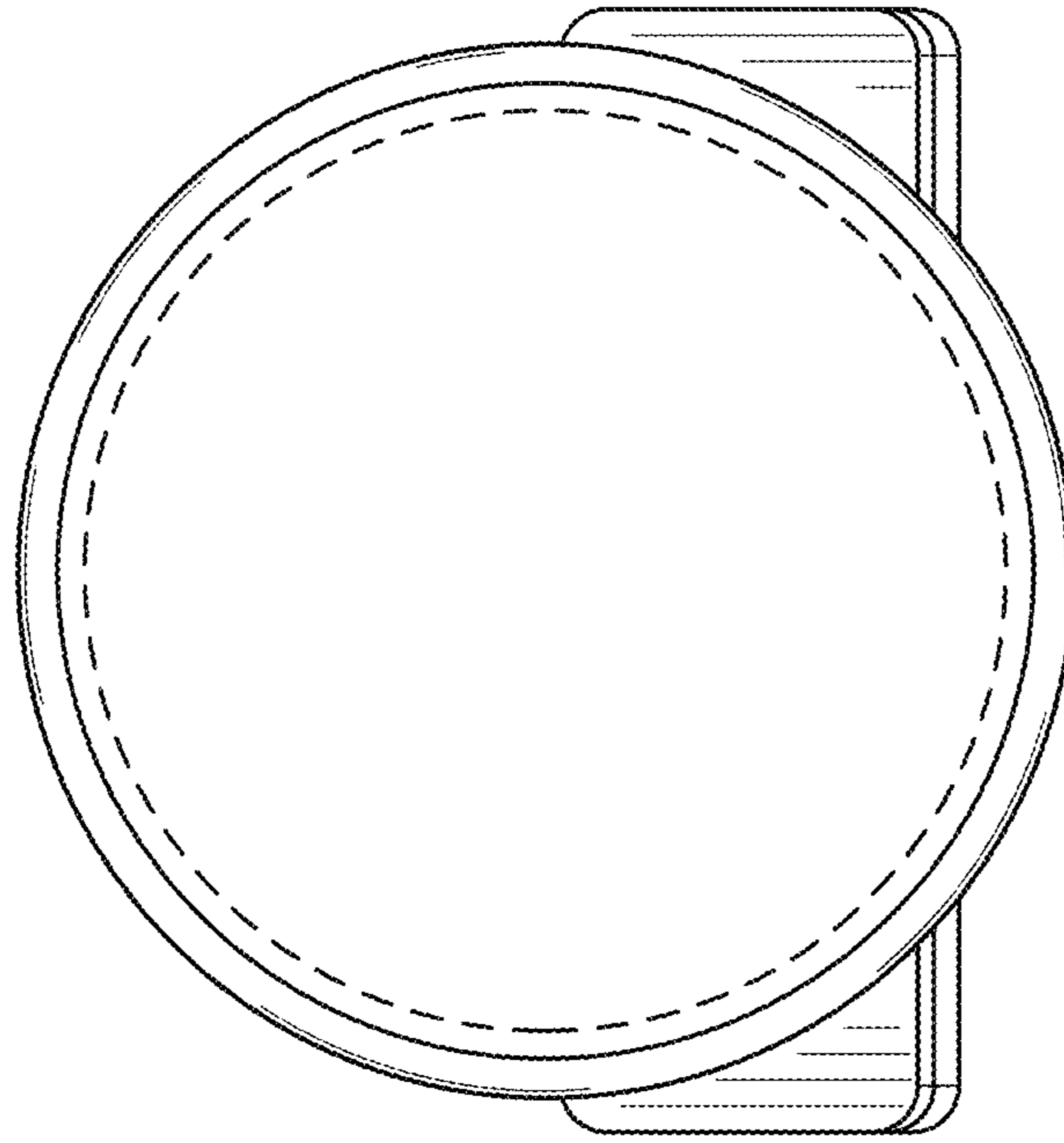


FIG. 7

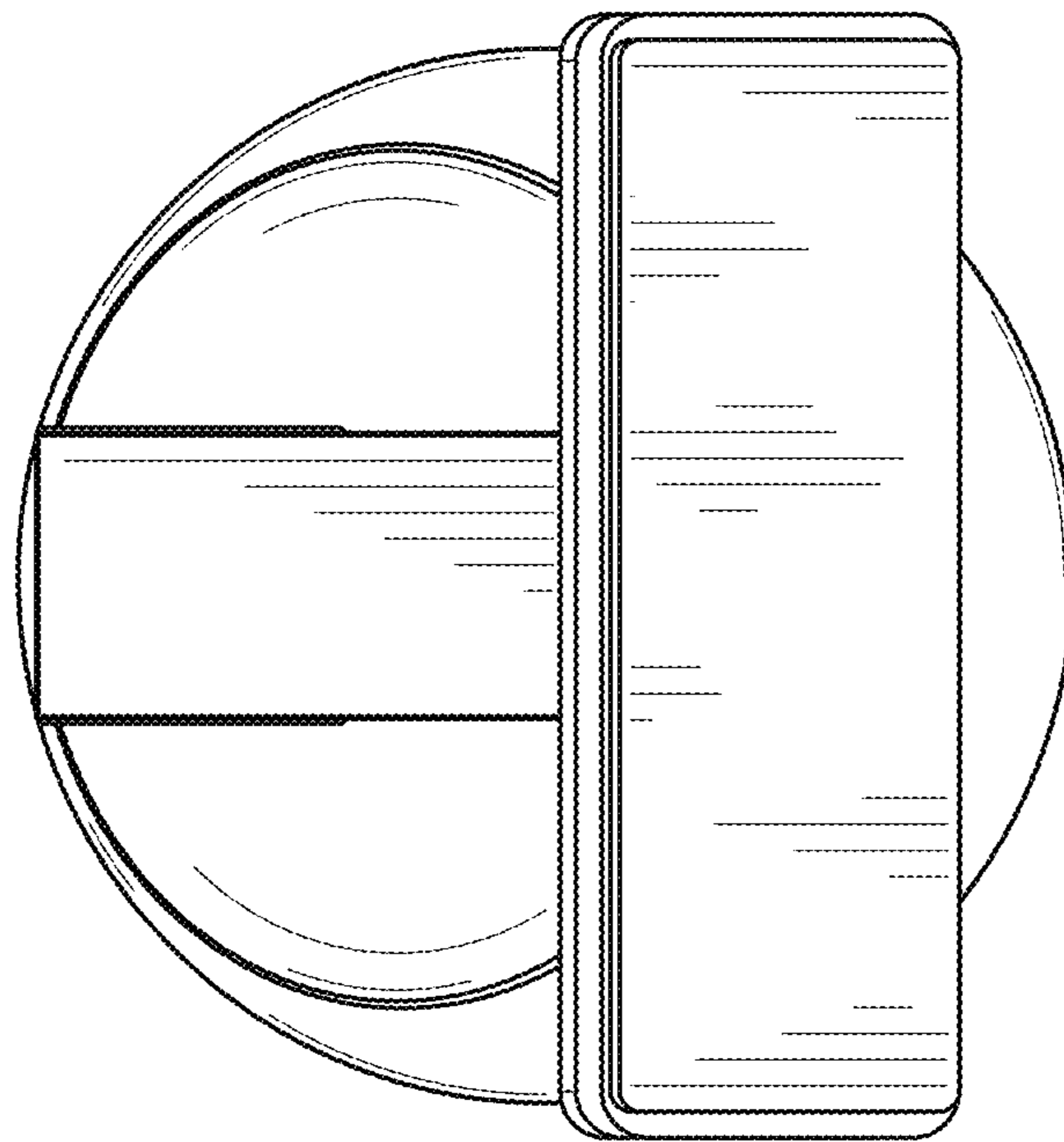


FIG. 6

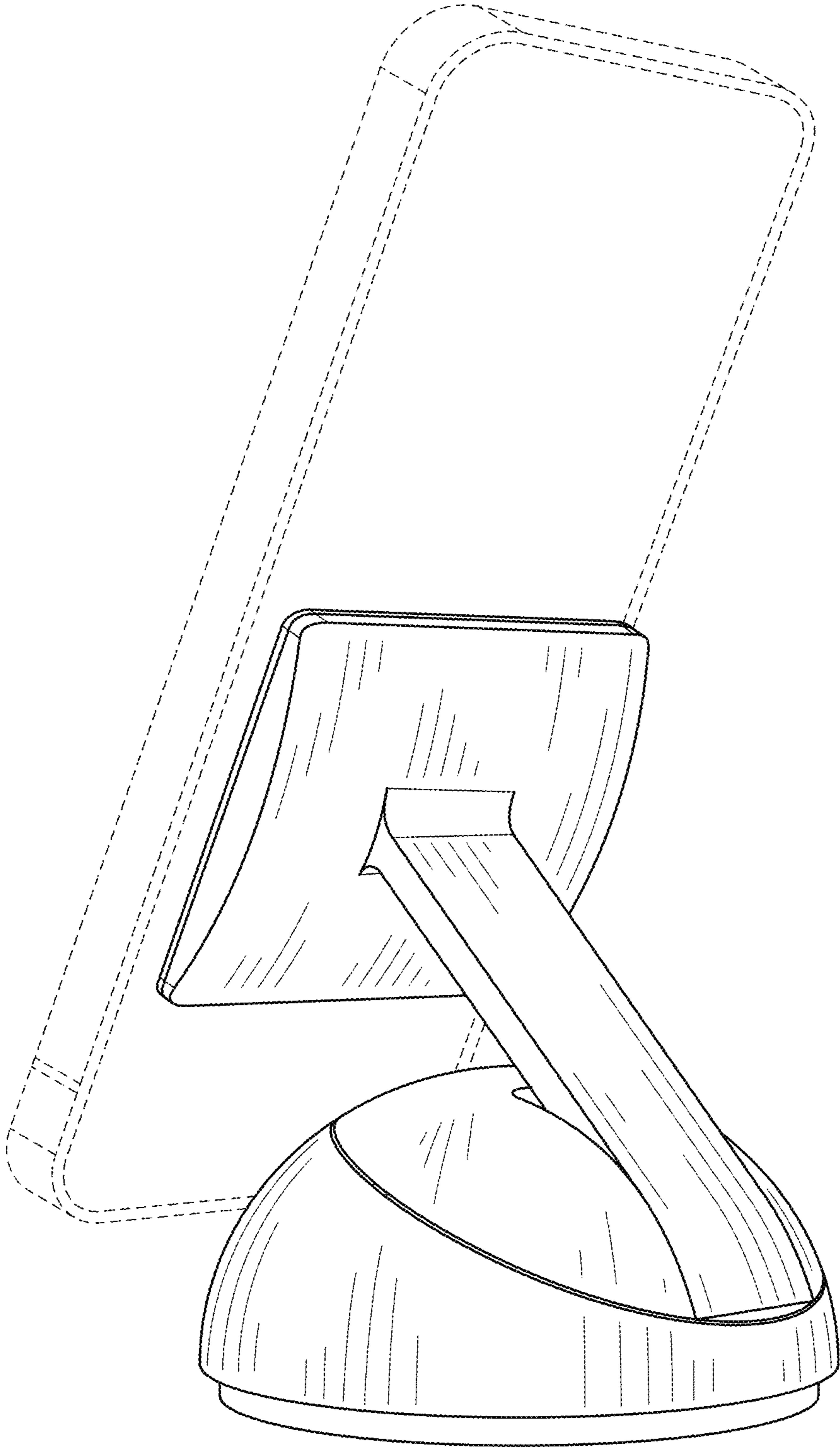


FIG. 8