



US00D747703S

(12) **United States Design Patent**  
**Kim et al.**

(10) **Patent No.:** **US D747,703 S**  
(45) **Date of Patent:** **\*\* Jan. 19, 2016**

(54) **STAND FOR TELEVISION**

(56) **References Cited**

(71) Applicant: **Samsung Electronics Co., Ltd.**,  
Suwon-si, Gyeonggi-do (KR)  
(72) Inventors: **Hee-Bong Kim**, Gimpo-si (KR); **Taehun Kim**, Seoul (KR); **Jae Neung Lee**,  
Ansan-si (KR)  
(73) Assignee: **Samsung Electronics Co., Ltd.**,  
Suwon-si (KR)

U.S. PATENT DOCUMENTS

D548,229 S *	8/2007	Tanigawa et al. ....	D14/239
D626,924 S *	11/2010	Miyaji .....	D14/126
D639,760 S *	6/2011	Tierney et al. ....	D14/126
D671,084 S *	11/2012	Kim et al. ....	D14/126
D689,033 S *	9/2013	Hwangbo et al. ....	D14/126
D699,230 S *	2/2014	Chen et al. ....	D14/239
D709,467 S *	7/2014	Jiang et al. ....	D14/126
D709,470 S *	7/2014	Ryu et al. ....	D14/126

\* cited by examiner

(\*\*) Term: **14 Years**

*Primary Examiner* — Randall Gholson

(21) Appl. No.: **29/518,458**

(74) *Attorney, Agent, or Firm* — Ladas & Parry LLP

(22) Filed: **Feb. 24, 2015**

(57) **CLAIM**

We claim the ornamental design for stand for television, as shown and described.

(30) **Foreign Application Priority Data**

**DESCRIPTION**

Aug. 28, 2014 (KR) ..... 30-2014-0042090

(51) **LOC (10) Cl.** ..... **14-03**

(52) **U.S. Cl.**  
USPC ..... **D14/239**

(58) **Field of Classification Search**  
USPC ..... D14/125-134, 239, 371, 136, 374-377,  
D14/440, 450, 448, 336, 342, 159; 312/7.2;  
348/836, 838, 180, 184, 325, 739;  
248/917-924, 465; 345/104, 133, 156,  
345/168, 87, 173; D21/329, 515, 577, 622,  
D21/333, 433, 448, 452, 450, 331, 505;  
D10/15, 26; 446/484, 175, 356;  
D6/477, 479, 300; D24/185; D34/14  
CPC ... G06F 1/1601; G06F 1/1643; H05K 5/0004;  
H05K 5/0017; H05K 5/02; H05K 5/0217  
See application file for complete search history.

FIG. 1 is the front perspective view of stand for television showing our new design;  
FIG. 2 is the front view thereof;  
FIG. 3 is the rear view thereof;  
FIG. 4 is the left-side view thereof,  
FIG. 5 is the right-side view thereof;  
FIG. 6 is the top plan view thereof;  
FIG. 7 is the bottom plan view thereof;  
FIG. 8 is the rear perspective view thereof; and,  
FIG. 9 is the front perspective view thereof shown in an example environment.  
The broken lines illustrating portions of the stand for television and the television are for environmental purposes only and form no part of the claimed design.  
The dot dash lines in the figures represent an unclaimed boundary line and form no part of the claimed design.

**1 Claim, 7 Drawing Sheets**

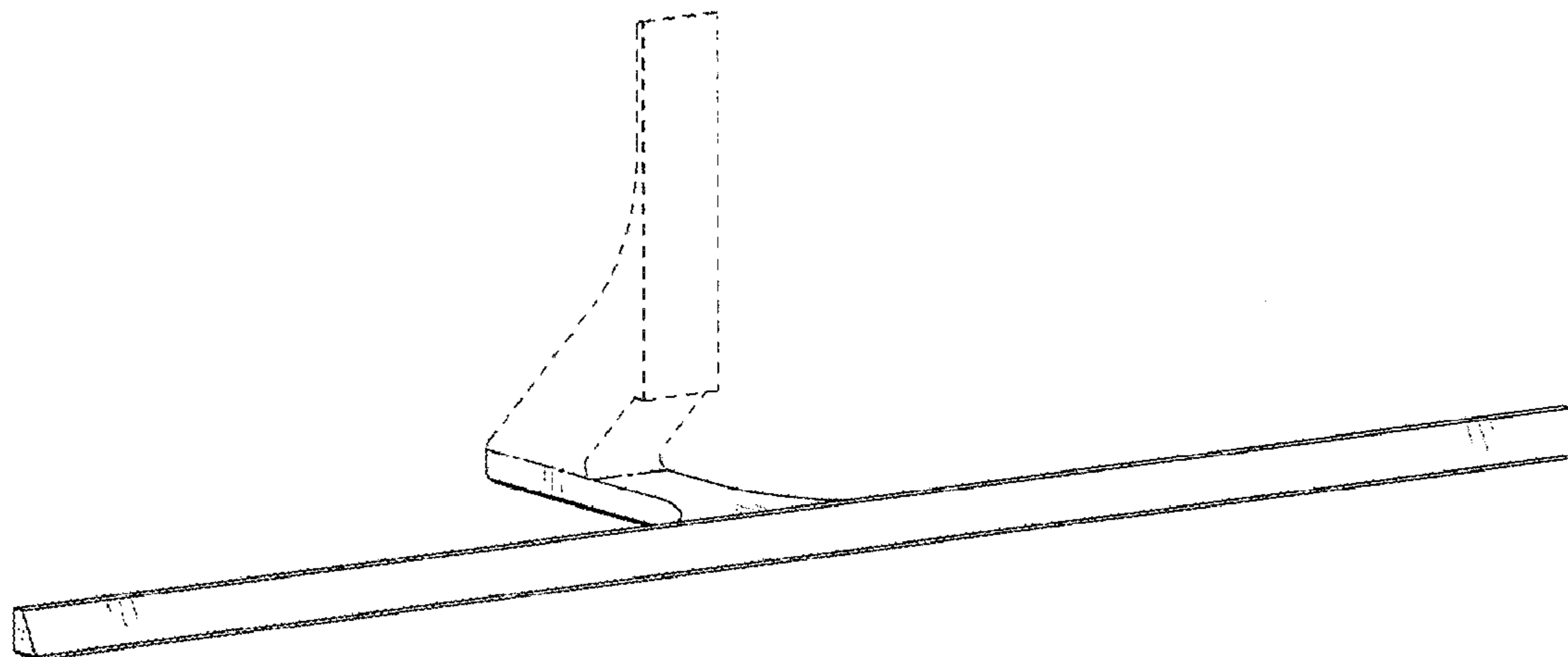


FIG.1

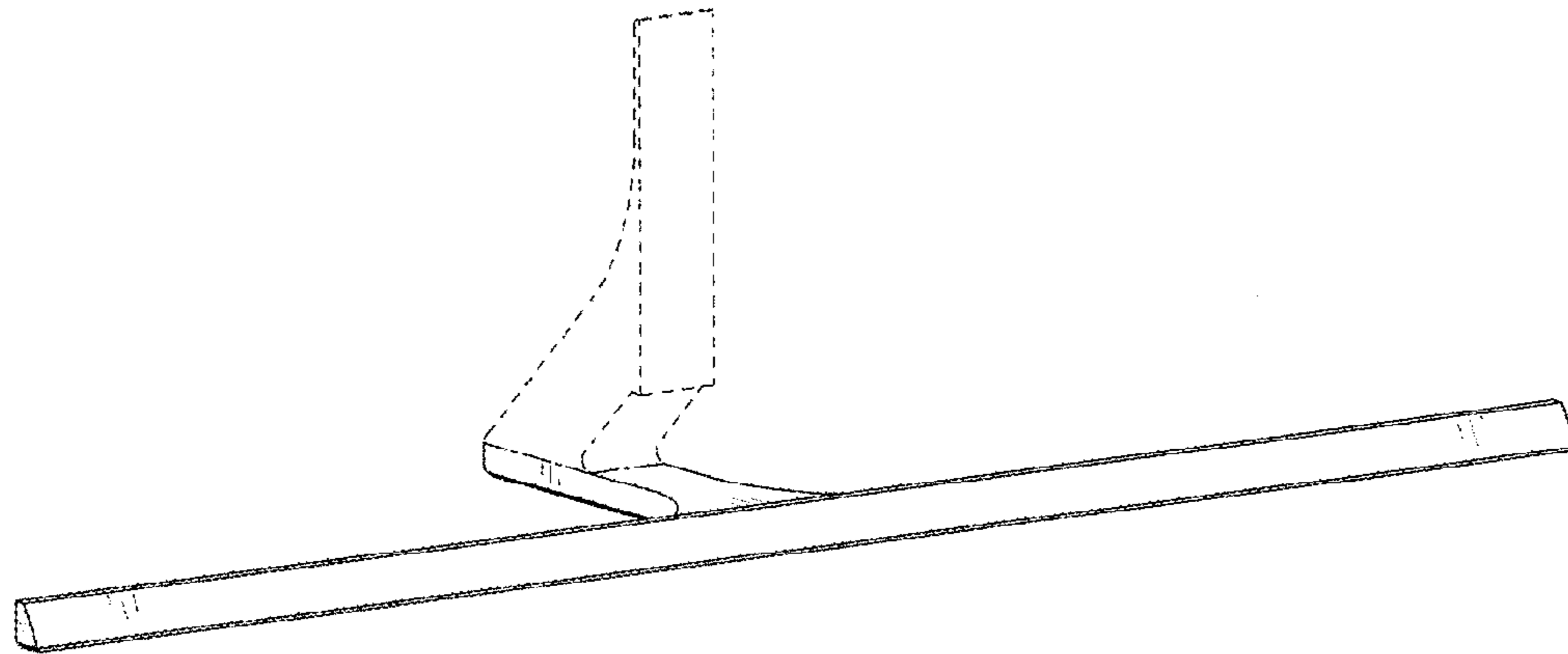


FIG.2

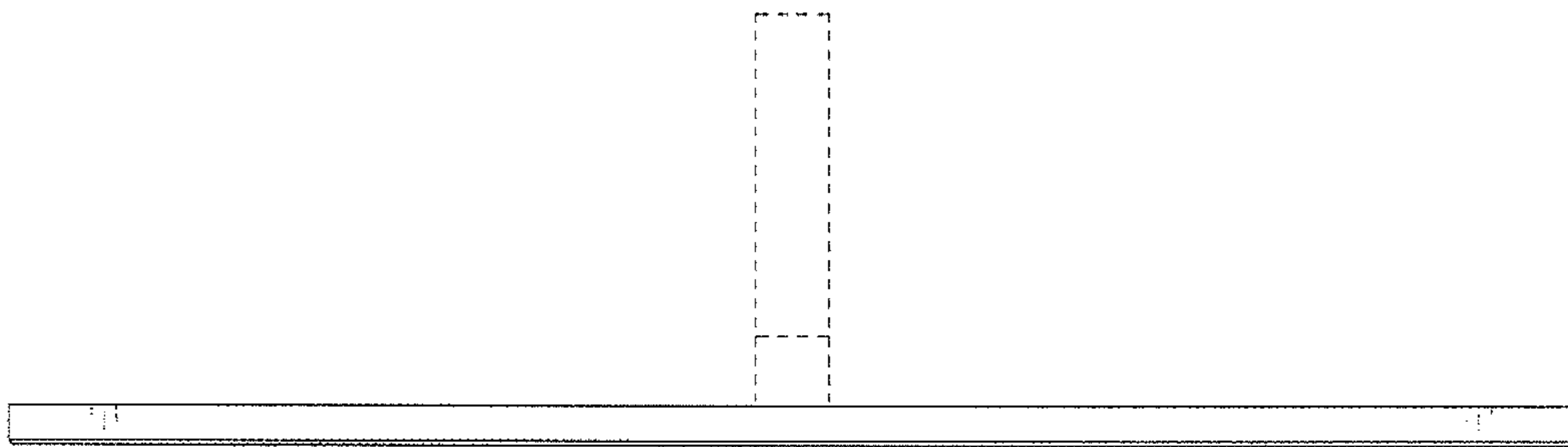


FIG.3

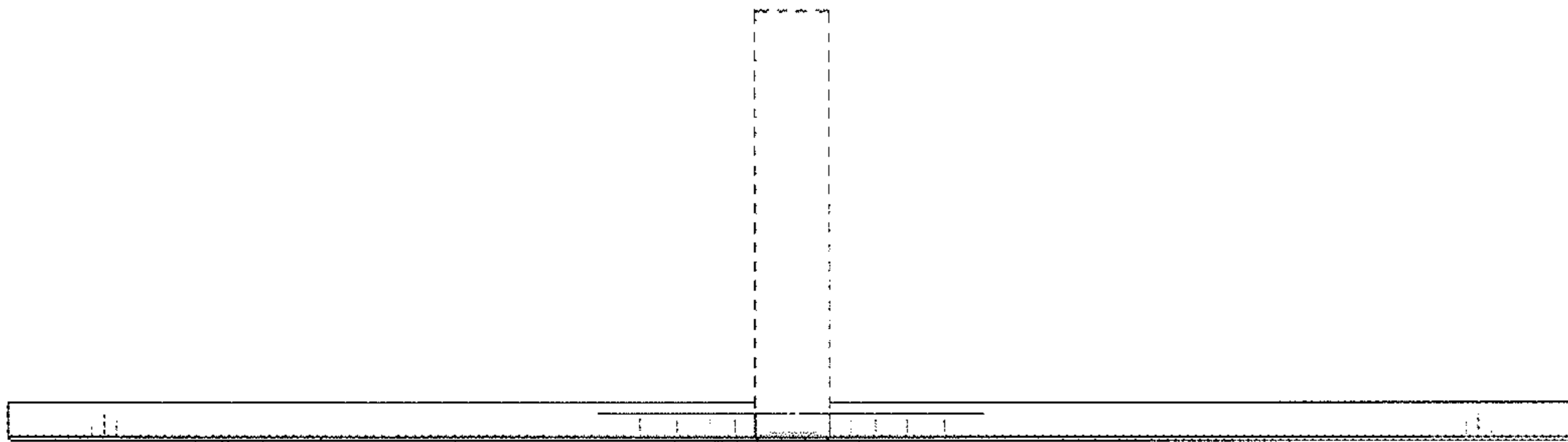


FIG.4

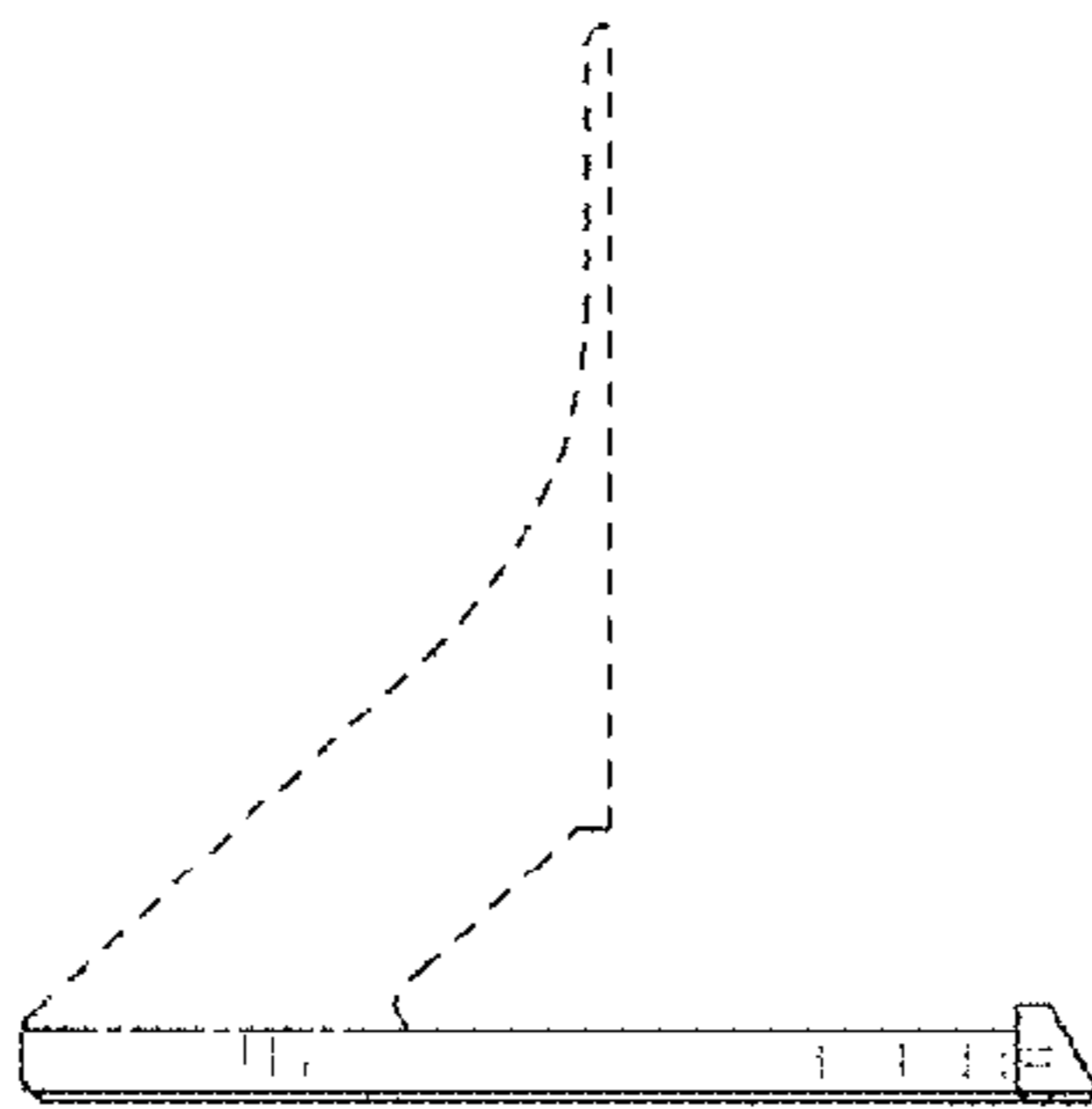


FIG.5

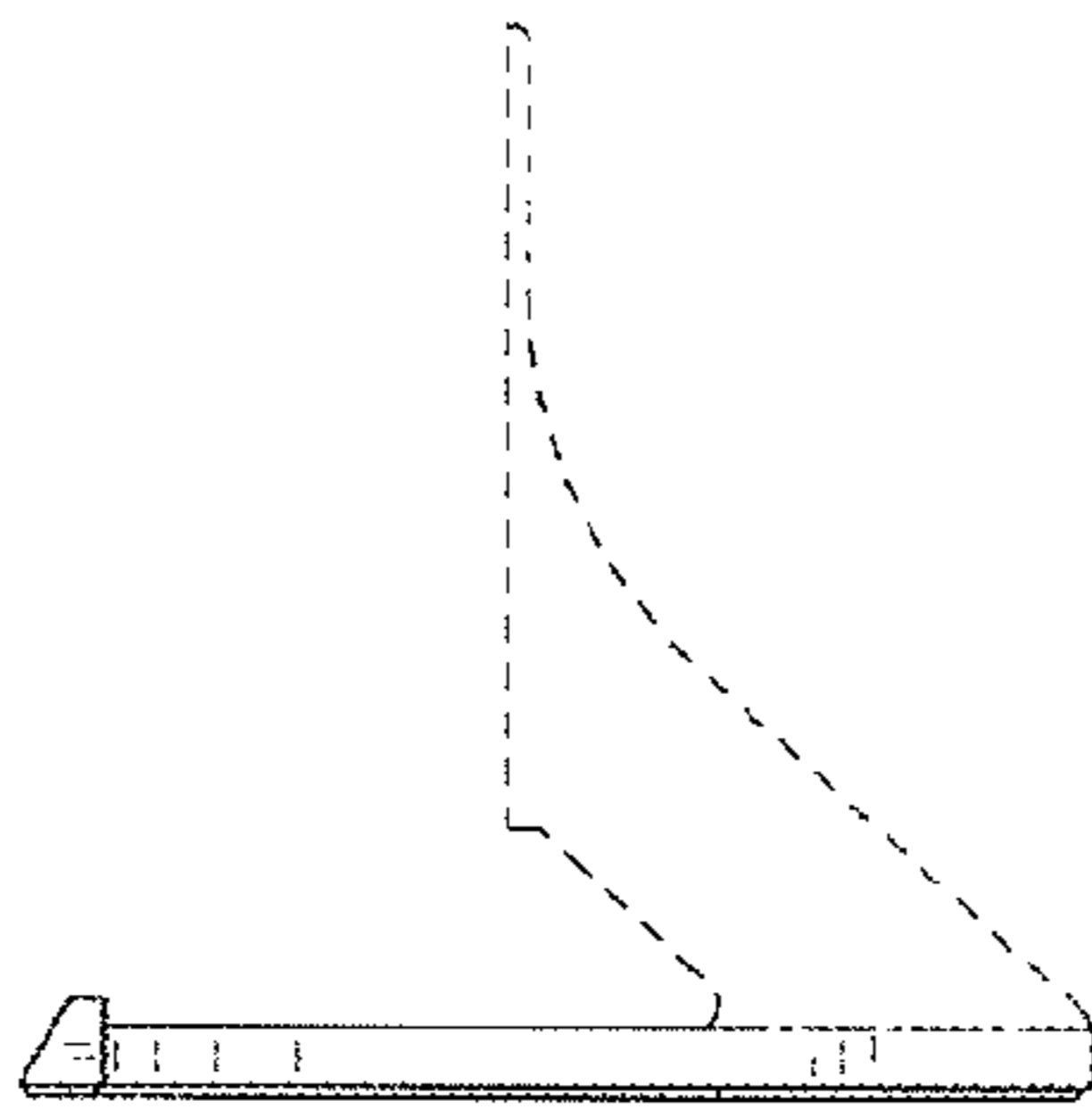


FIG.6

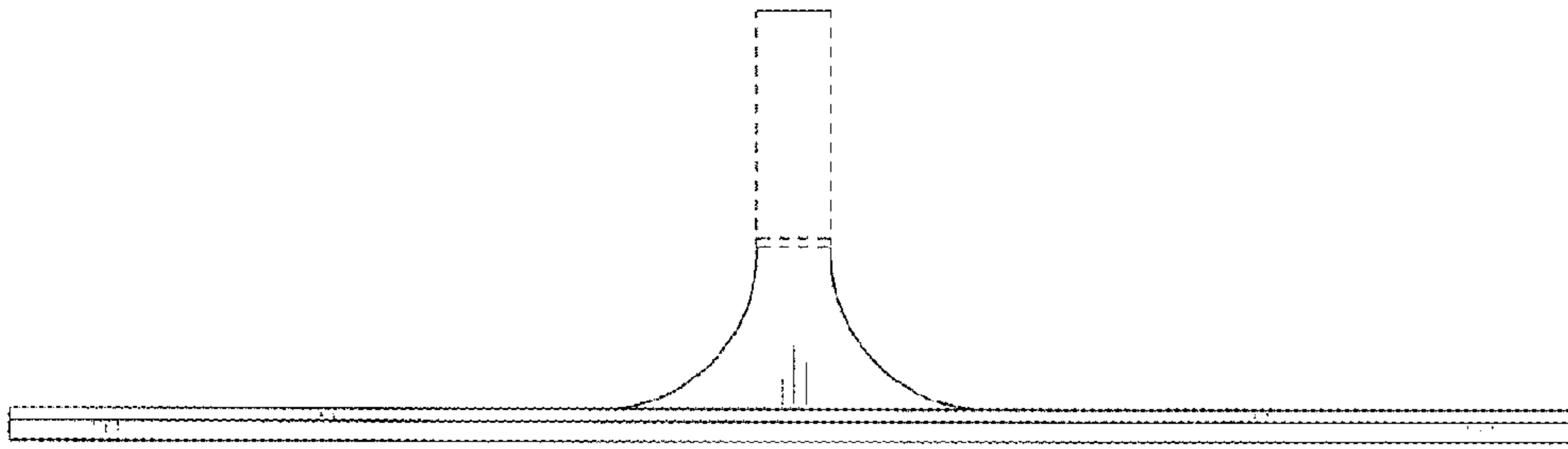


FIG.7

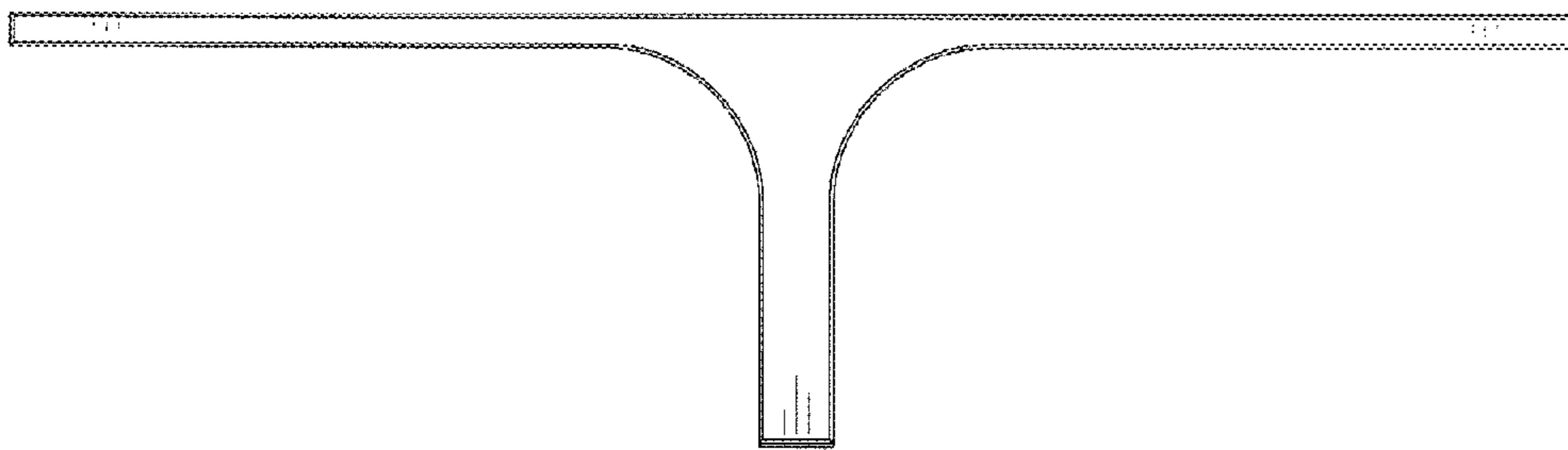


FIG.8

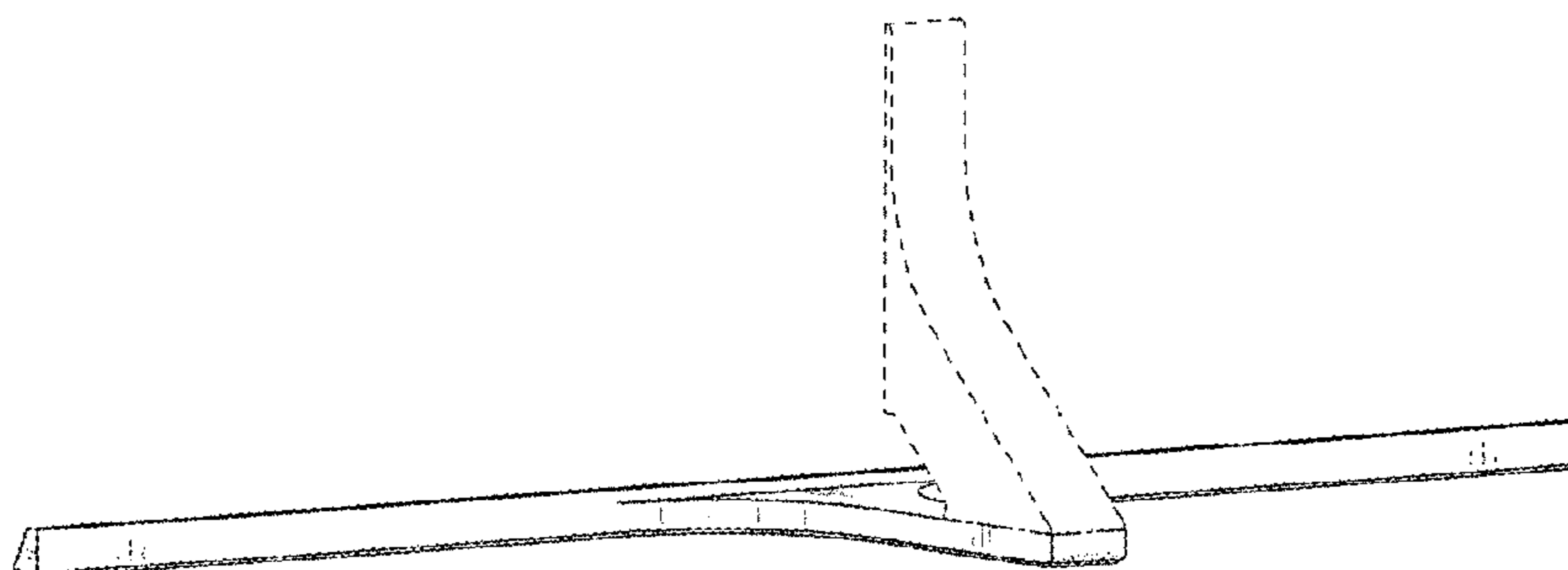
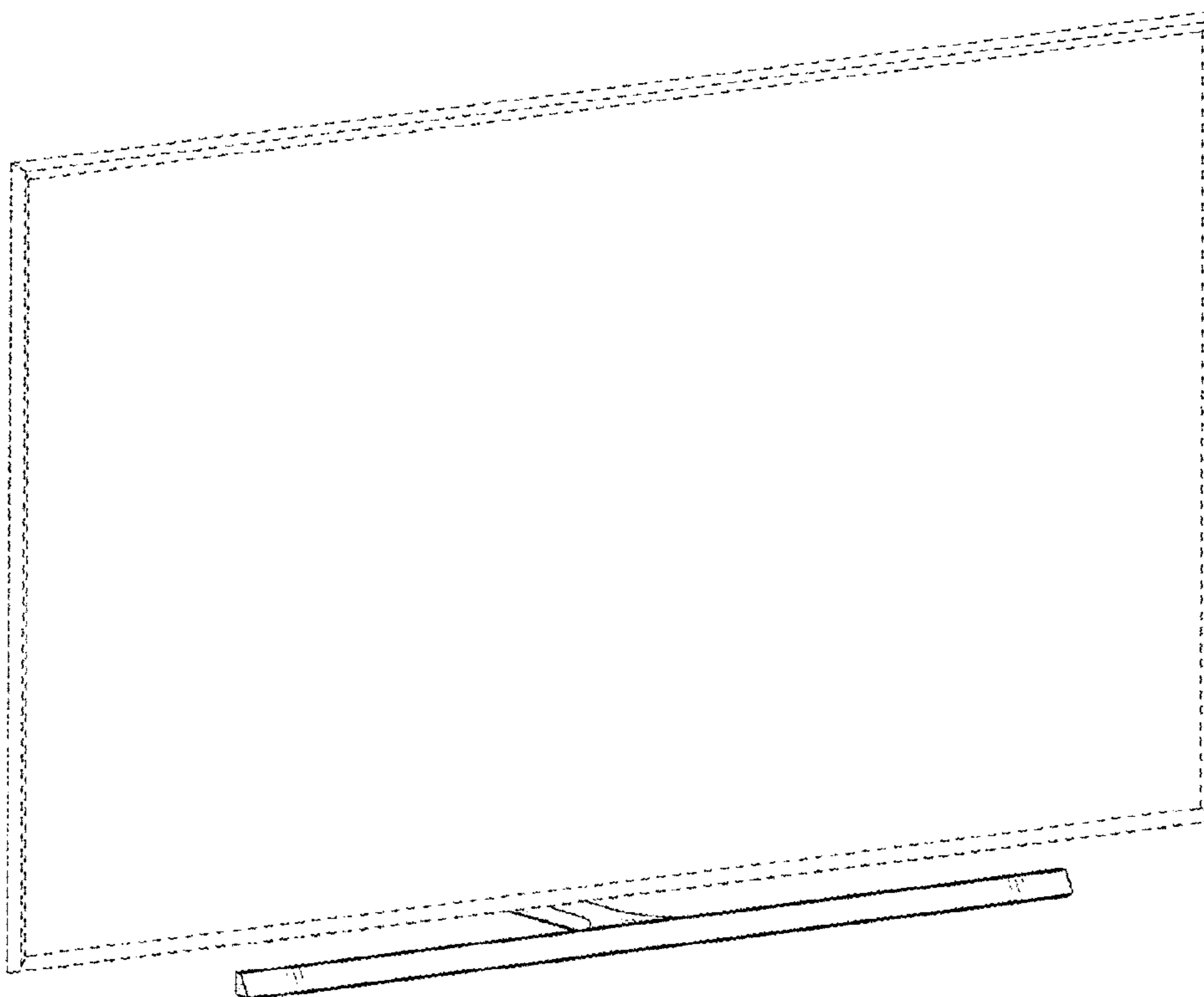


FIG.9





UNITED STATES PATENT AND TRADEMARK OFFICE  
**CERTIFICATE OF CORRECTION**

PATENT NO. : D747,703 S  
APPLICATION NO. : 29/518458  
DATED : January 19, 2016  
INVENTOR(S) : Hee-Bong Kim et al.

Page 1 of 1

It is certified that error appears in the above-identified patent and that said Letters Patent is hereby corrected as shown below:

On the Title Page

Item (73) Assignee should read: Samsung Electronics Co., Ltd.

Signed and Sealed this  
Twenty-first Day of March, 2017



Michelle K. Lee  
*Director of the United States Patent and Trademark Office*