



US00D747701S

(12) **United States Design Patent**  
**Janezic**

(10) **Patent No.:** **US D747,701 S**

(45) **Date of Patent:** **\*\* Jan. 19, 2016**

(54) **DRUM TRANSPONDER**

(71) Applicant: **Brian Janezic**, Tucson, AZ (US)

(72) Inventor: **Brian Janezic**, Tucson, AZ (US)

(\*\*) Term: **14 Years**

(21) Appl. No.: **29/493,523**

(22) Filed: **Jun. 10, 2014**

(51) **LOC (10) Cl.** ..... **14-01**

(52) **U.S. Cl.**

USPC ..... **D14/222**

(58) **Field of Classification Search**

USPC ..... D14/300–302, 314, 348–370, 383–385,  
D14/435, 496, 125, 135, 155, 240–242, 299,  
D14/222; D9/440; D10/65, 75, 78, 70;  
D13/103, 119, 162, 184, 199

CPC ..... B67D 1/0835; C12C 13/10; G01F 23/38;  
G11B 33/027; G11B 33/122; G11B 33/124;  
G11B 33/022; G11B 33/025

See application file for complete search history.

(56) **References Cited**

**U.S. PATENT DOCUMENTS**

D239,539 S	*	4/1976	Wagner	.....	D14/222
D282,163 S	*	1/1986	Seebinger	.....	D14/222
D409,202 S	*	5/1999	Sone	.....	D14/222
D438,195 S	*	2/2001	Chao et al.	.....	D14/222
D440,222 S	*	4/2001	Goto	.....	D14/222

6,318,473 B1	*	11/2001	Bartley et al.	.....	169/26
2005/0247371 A1	*	11/2005	Chadbourne et al.	.....	141/351
2007/0102639 A1	*	5/2007	Cutler et al.	.....	250/339.13
2007/0116649 A1	*	5/2007	Charan et al.	.....	424/45
2010/0083556 A1	*	4/2010	Wright et al.	.....	43/1
2012/0210782 A1	*	8/2012	Downs et al.	.....	73/317
2012/0318381 A1	*	12/2012	Arensmeier	.....	137/395
2013/0130369 A1	*	5/2013	Wilson et al.	.....	435/289.1
2014/0236093 A1	*	8/2014	Eggert et al.	.....	604/191
2014/0297204 A1	*	10/2014	Biesak et al.	.....	702/56
2014/0330206 A1	*	11/2014	Moore	.....	604/152
2015/0203800 A1	*	7/2015	Hansmann	.....	99/276
2015/0211913 A1	*	7/2015	Murphy	.....	702/55

\* cited by examiner

*Primary Examiner* — Karen E Kearney

*Assistant Examiner* — Nathaniel D Buckner

(74) *Attorney, Agent, or Firm* — Dale F. Regelman; Quarles & Brady LLP

(57) **CLAIM**

The ornamental design for a drum transponder, as shown and described.

**DESCRIPTION**

FIG. 1 is a perspective view of the design of this invention;

FIG. 2 is a first side view;

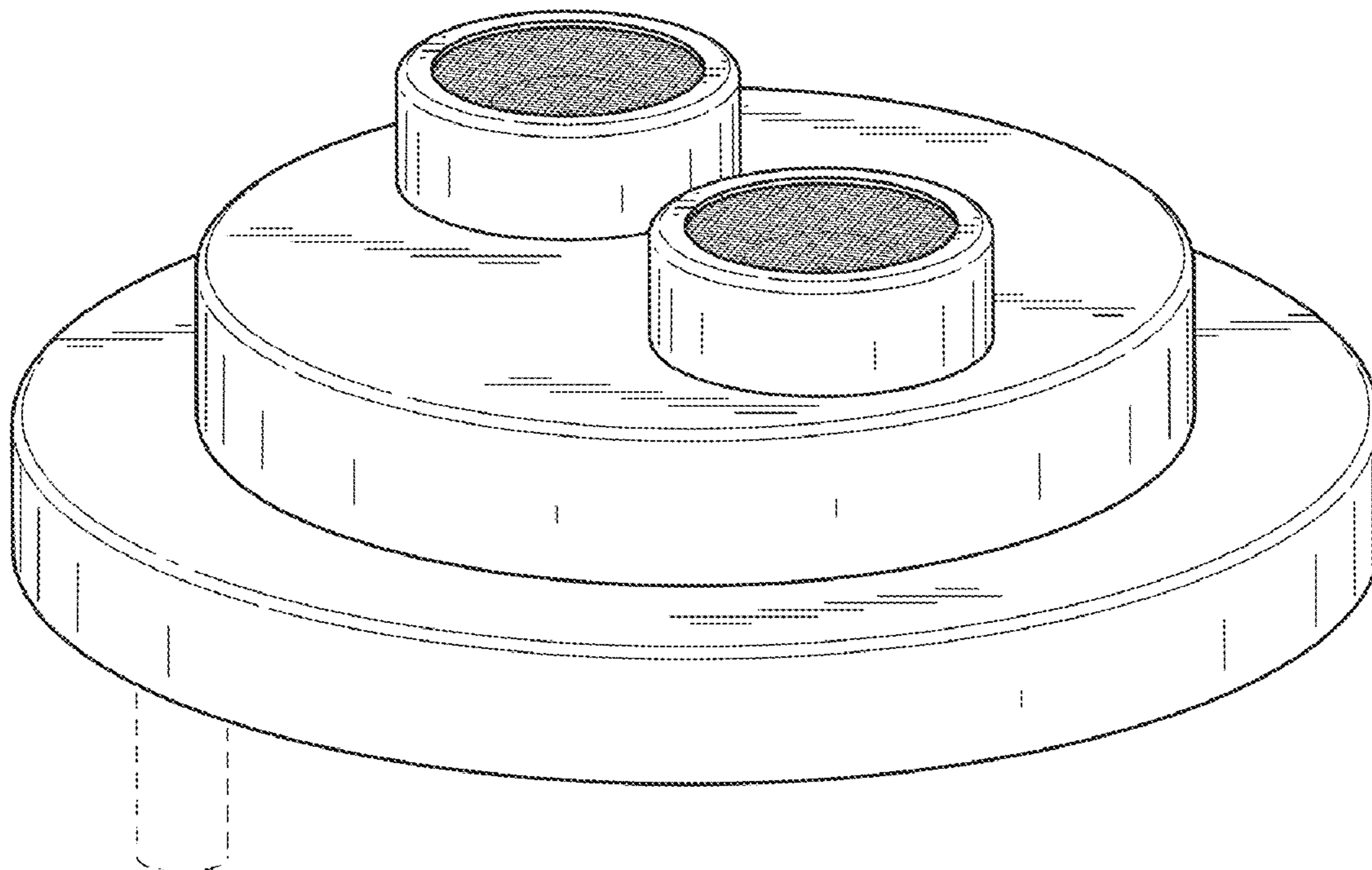
FIG. 3 is a second side view;

FIG. 4 is a top view; and,

FIG. 5 is a bottom view.

In the drawings, the broken lines showing an electrical cable illustrate environment and form no part of the claimed design.

**1 Claim, 4 Drawing Sheets**



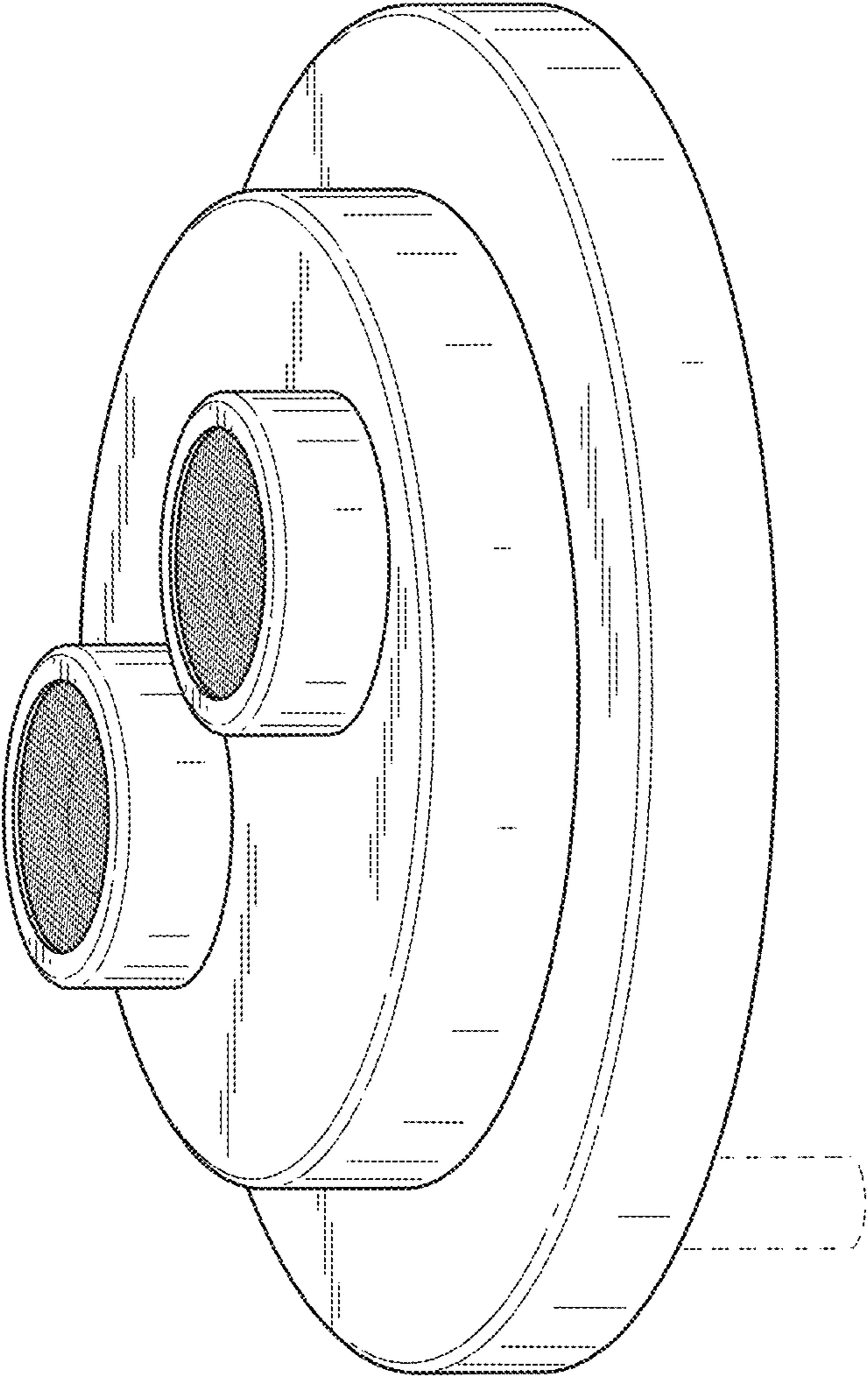


FIG. 1

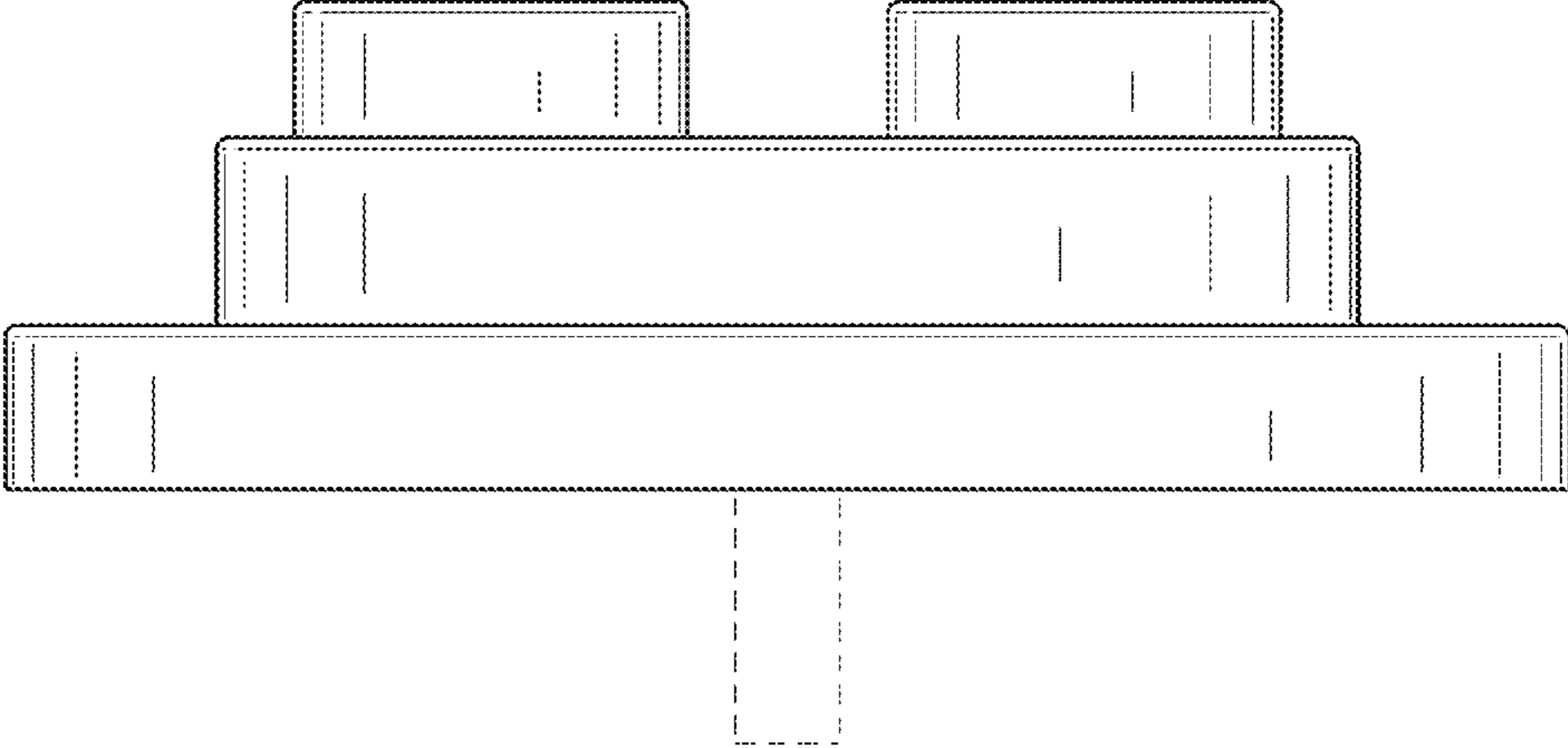


FIG. 2

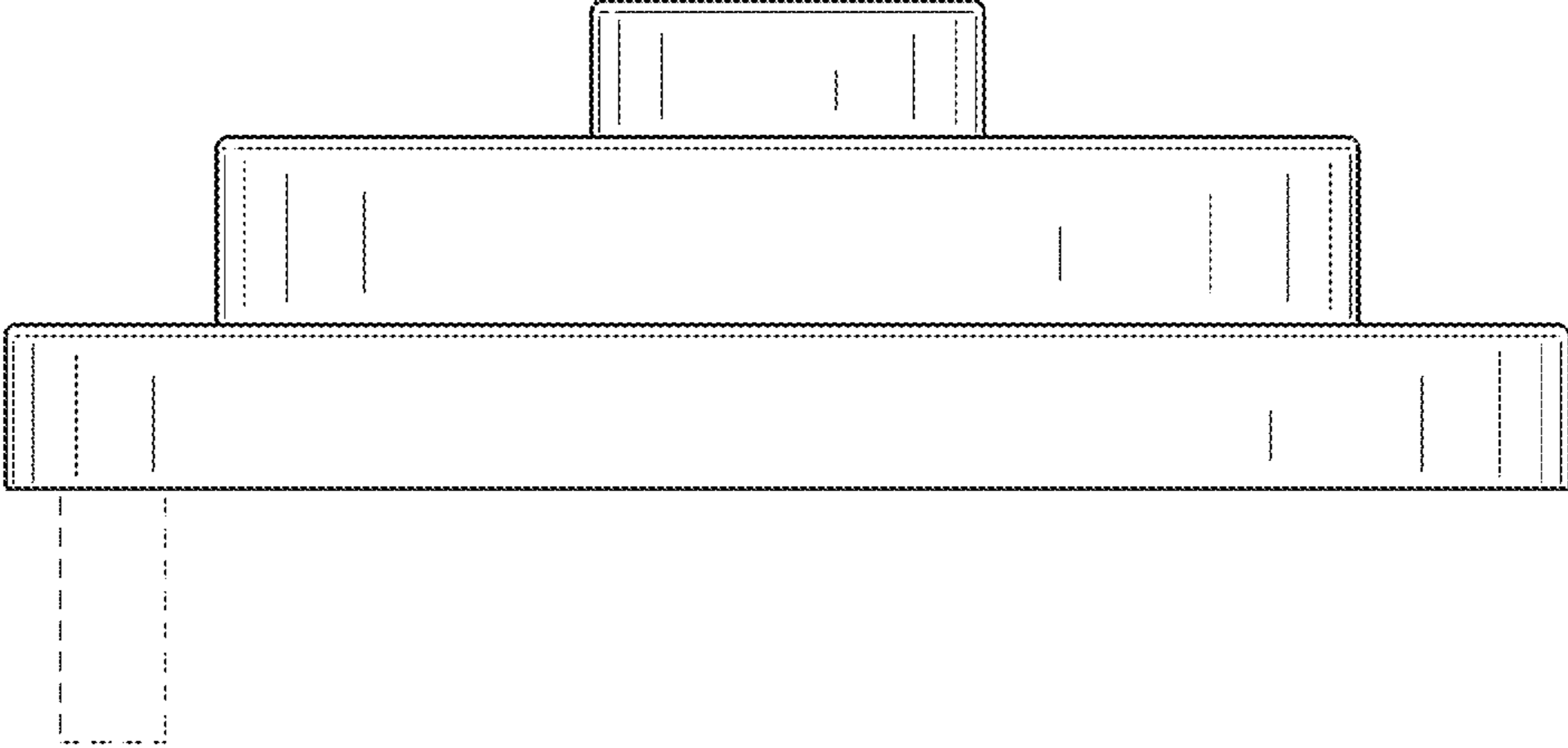


FIG. 3

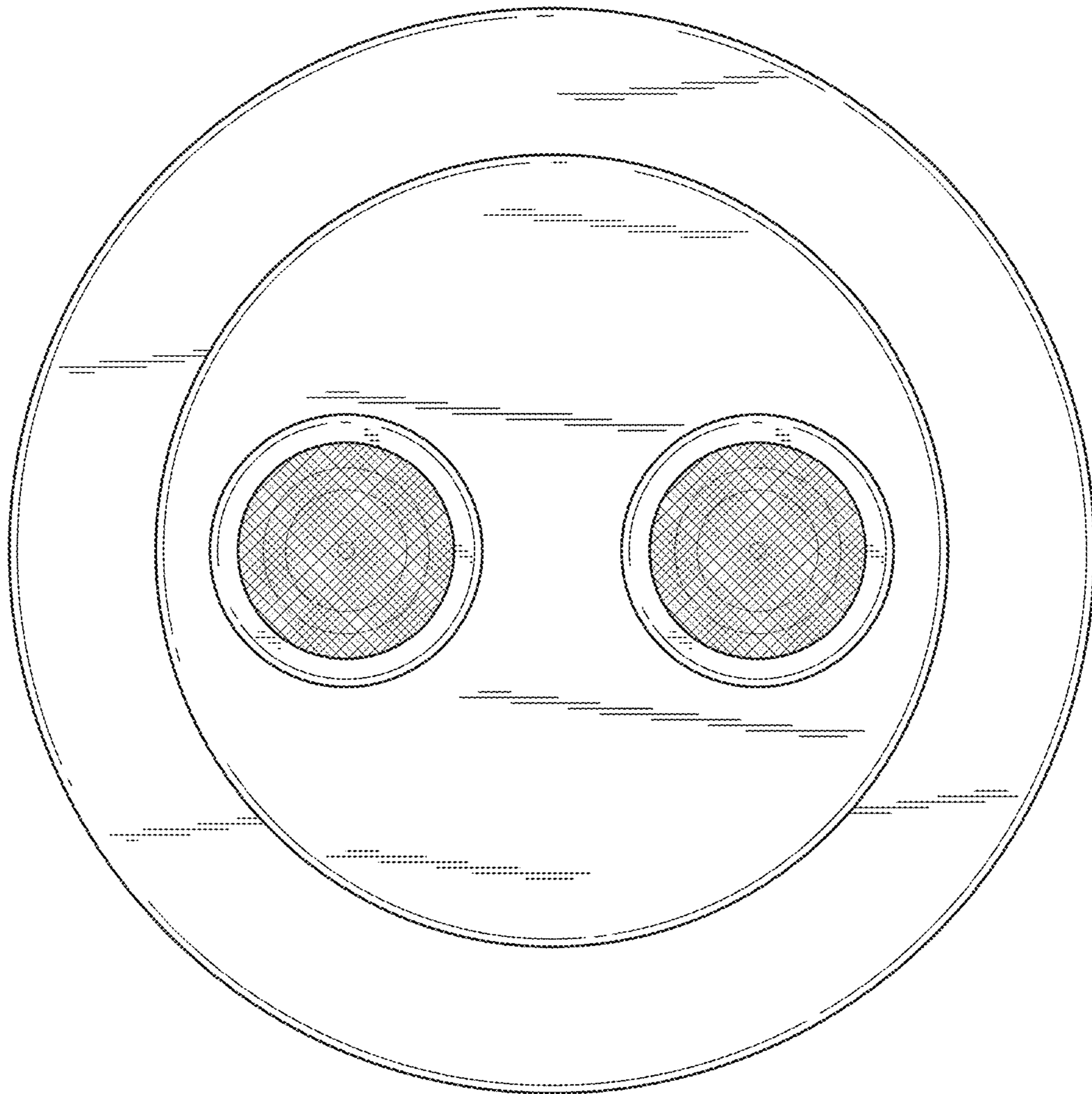


FIG. 4



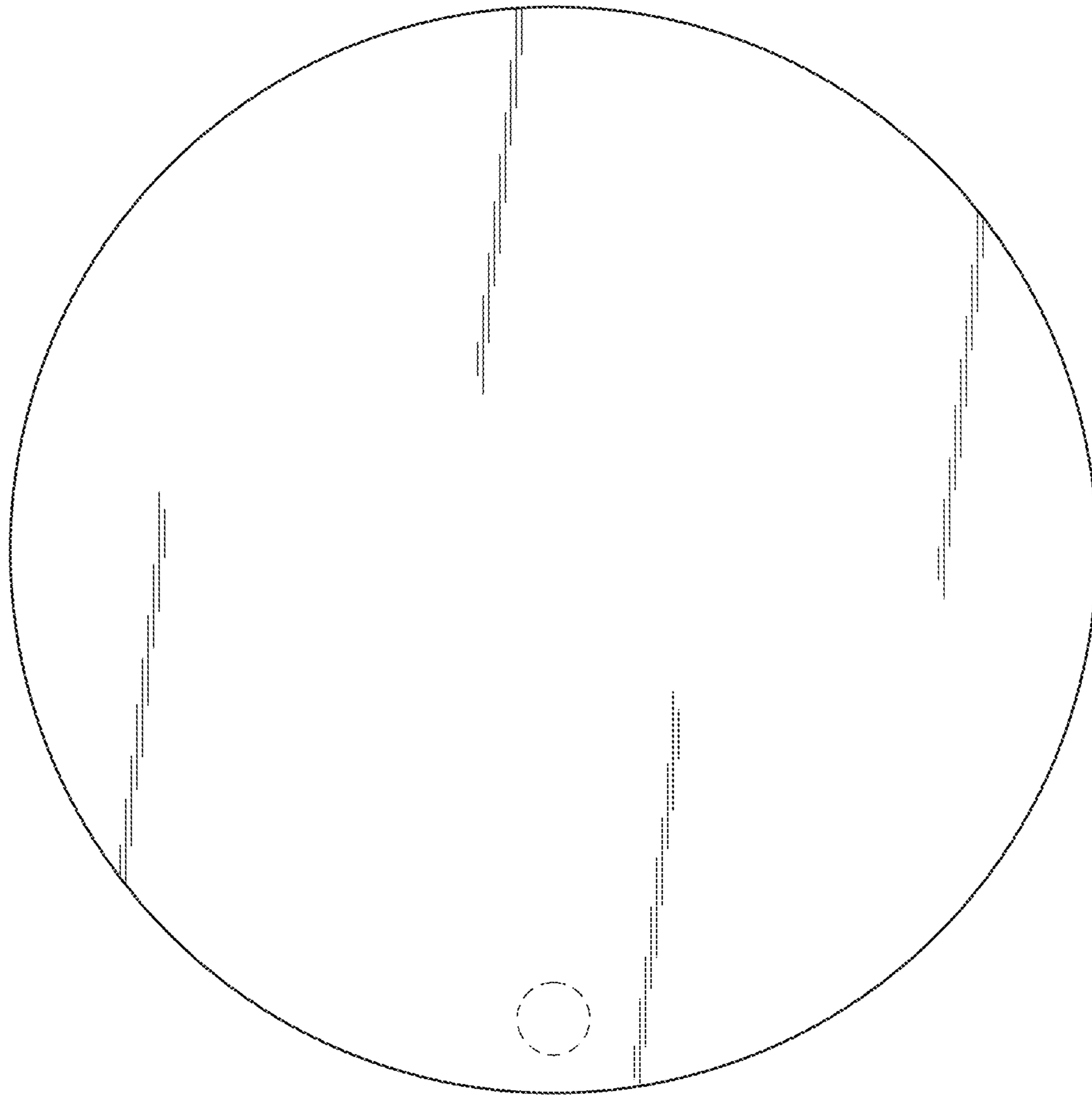


FIG. 5