



US00D747698S

(12) **United States Design Patent**
Choi

(10) **Patent No.:** **US D747,698 S**
(45) **Date of Patent:** **** Jan. 19, 2016**

(54) **COMPONENT STEREO**

H04R 2499/15; H04S 3/00; H04S 7/30
See application file for complete search history.

(71) Applicant: **Samsung Electronics Co., Ltd.**,
Suwon-si (KR)

(56) **References Cited**

(72) Inventor: **Gyoo-Sang Choi**, Suwon-si (KR)

U.S. PATENT DOCUMENTS

(73) Assignee: **Samsung Electronics Co., Ltd.**,
Suwon-si (KR)

D221,441	S	*	8/1971	Ishikawa	D14/214
D265,823	S	*	8/1982	Hartwein	D14/214
D375,499	S	*	11/1996	Meyer et al.	D14/214
D434,751	S	*	12/2000	Sogabe	D14/214
D439,239	S	*	3/2001	Ito	D14/214
D624,047	S	*	9/2010	Kim	D14/215
D628,557	S	*	12/2010	Vercelli	D14/215
D672,751	S	*	12/2012	Davies et al.	D14/215
D678,245	S	*	3/2013	Davies	D14/215
D714,760	S	*	10/2014	Kim	D14/215
D723,518	S	*	3/2015	Moon et al.	D14/215

(**) Term: **14 Years**

(21) Appl. No.: **29/497,411**

(22) Filed: **Jul. 24, 2014**

* cited by examiner

(30) **Foreign Application Priority Data**

Mar. 21, 2014 (KR) 30-2014-0014216

Primary Examiner — Keli L Hill

(51) **LOC (10) Cl.** **14-03**

(74) *Attorney, Agent, or Firm* — NSIP Law

(52) **U.S. Cl.**
USPC **D14/215; D14/188**

(57) **CLAIM**

(58) **Field of Classification Search**

I claim the ornamental design for a component stereo, as shown and described.

USPC D14/167, 168, 170–172, 188, 194–196,
D14/204, 207, 209.1, 210–216, 219, 221,
D14/222, 224, 496; 181/143, 144, 147, 148,
181/150, 153, 157, 198, 199; 381/300–303,
381/306, 332, 333, 336, 345, 361–364,
381/386–388; 369/6–12
CPC B60R 11/0217; G06F 1/1688; H04M 1/03;
H04M 1/035; H04R 1/02; H04R 1/06; H04R
1/021; H04R 1/025; H04R 1/026; H04R
1/028; H04R 1/105; H04R 1/323; H04R
1/403; H04R 1/2803; H04R 1/2834; H04R
5/02; H04R 7/20; H04R 9/06; H04R 9/025;
H04R 2201/021; H04R 2400/00; H04R
2400/07; H04R 2499/11; H04R 2499/13;

DESCRIPTION

FIG. 1 is a front perspective view of a component stereo showing my new design;
FIG. 2 is a front view thereof;
FIG. 3 is a rear view thereof;
FIG. 4 is a left-side view thereof;
FIG. 5 is a right-side view thereof;
FIG. 6 is a top view thereof; and,
FIG. 7 is a bottom view thereof.
The broken lines in the figures show portions of the component stereo which form no part of the claimed design.

1 Claim, 7 Drawing Sheets

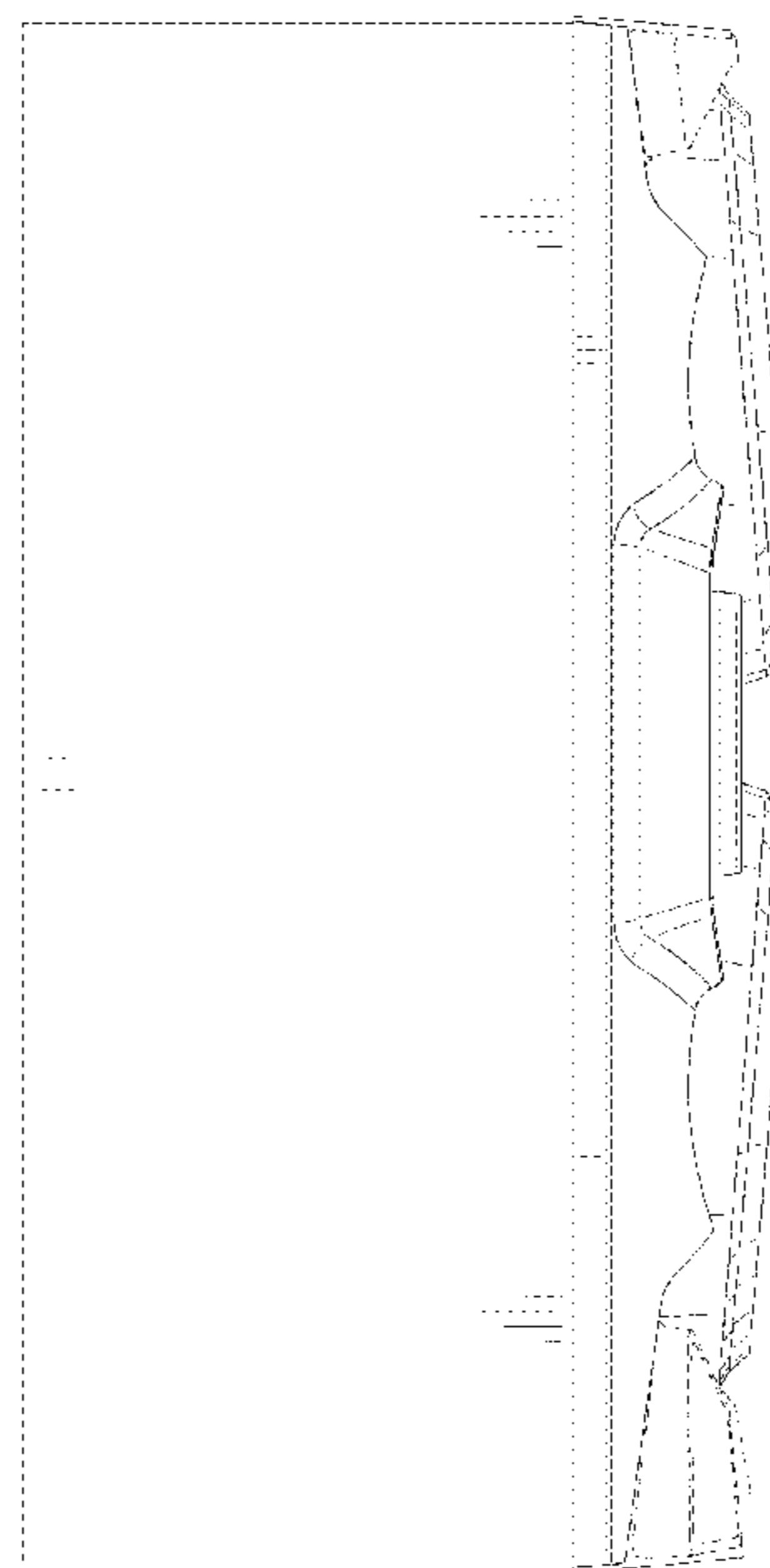
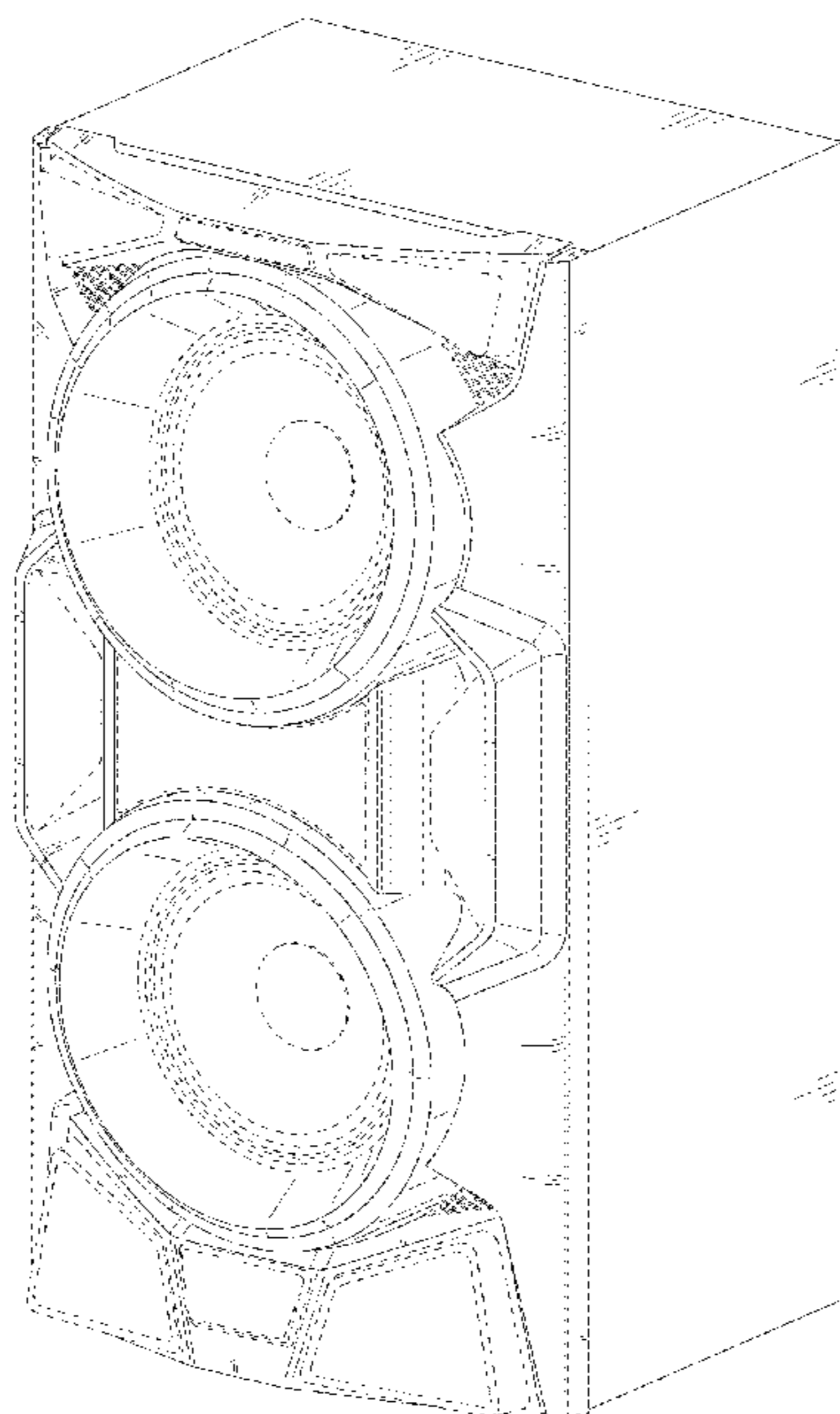


FIG. 1

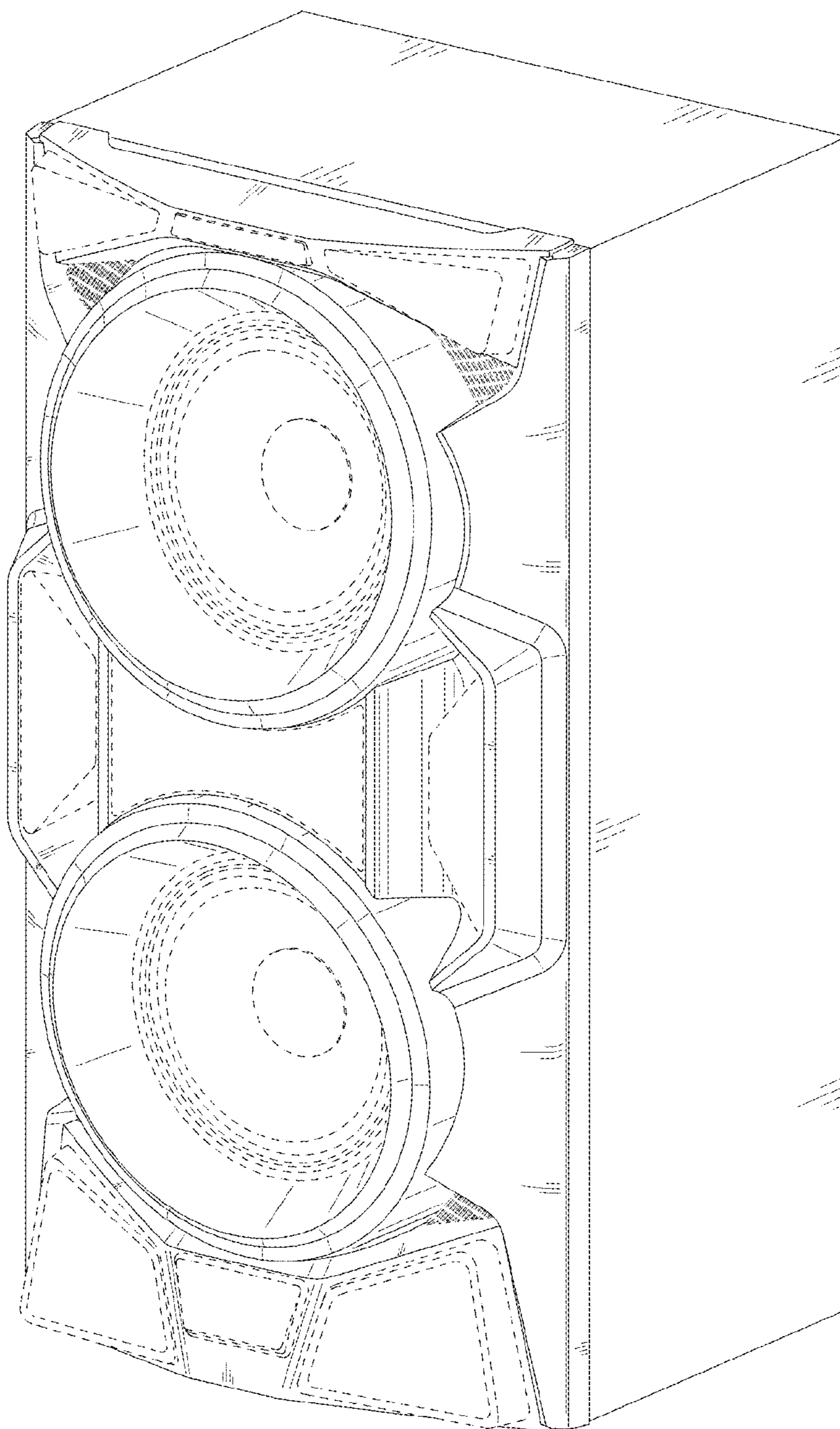


FIG. 2

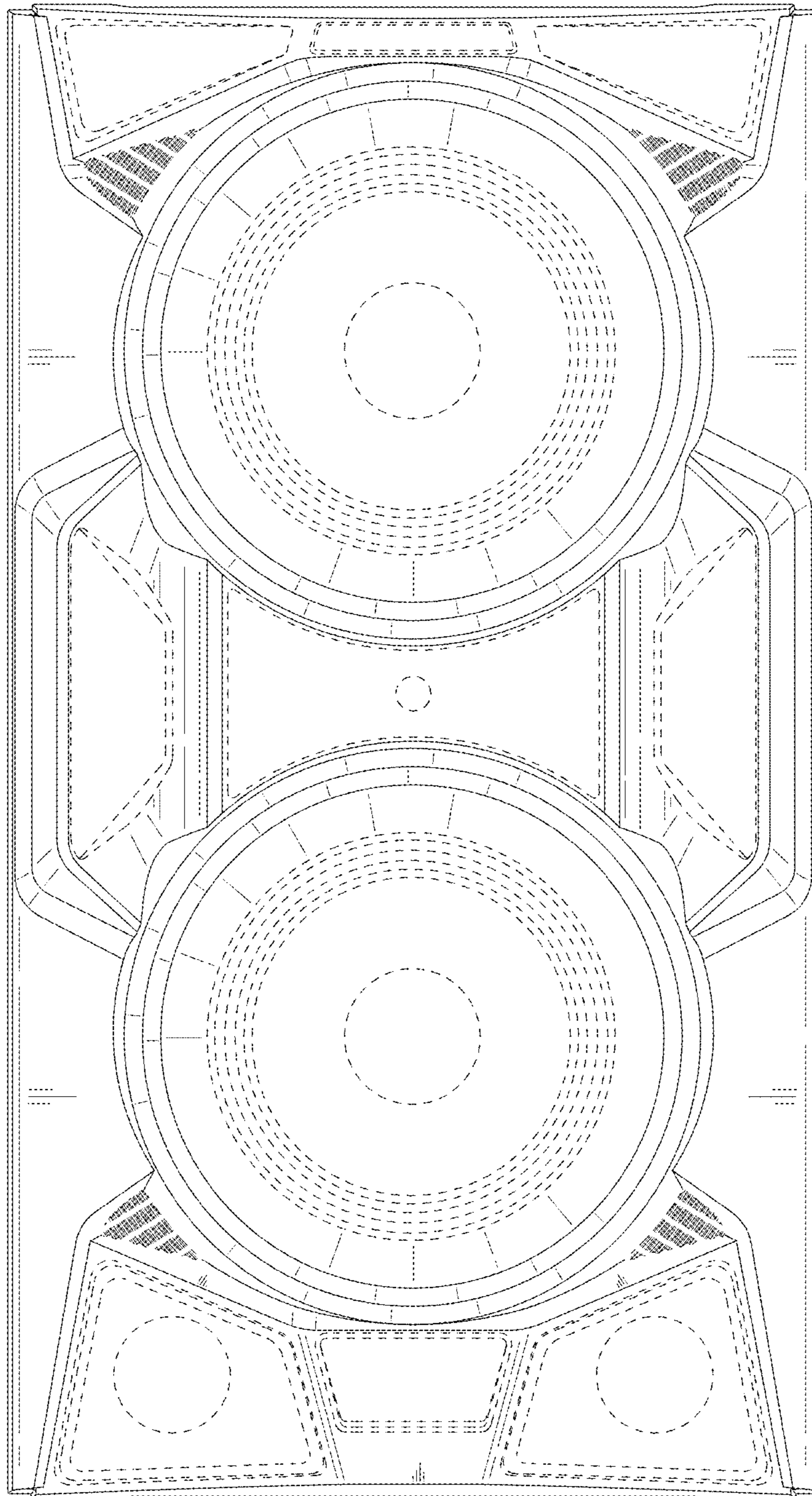


FIG. 3

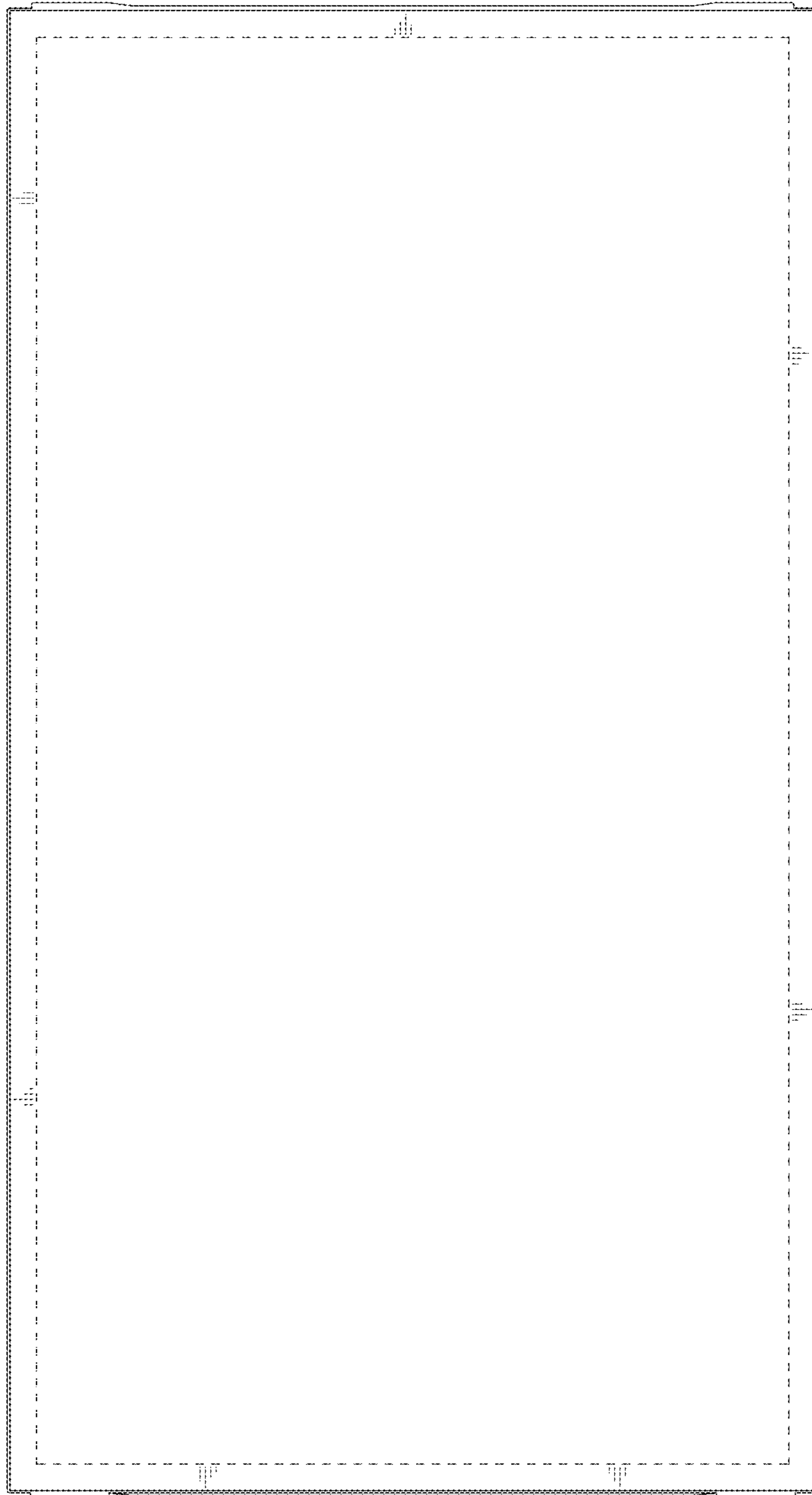


FIG. 4

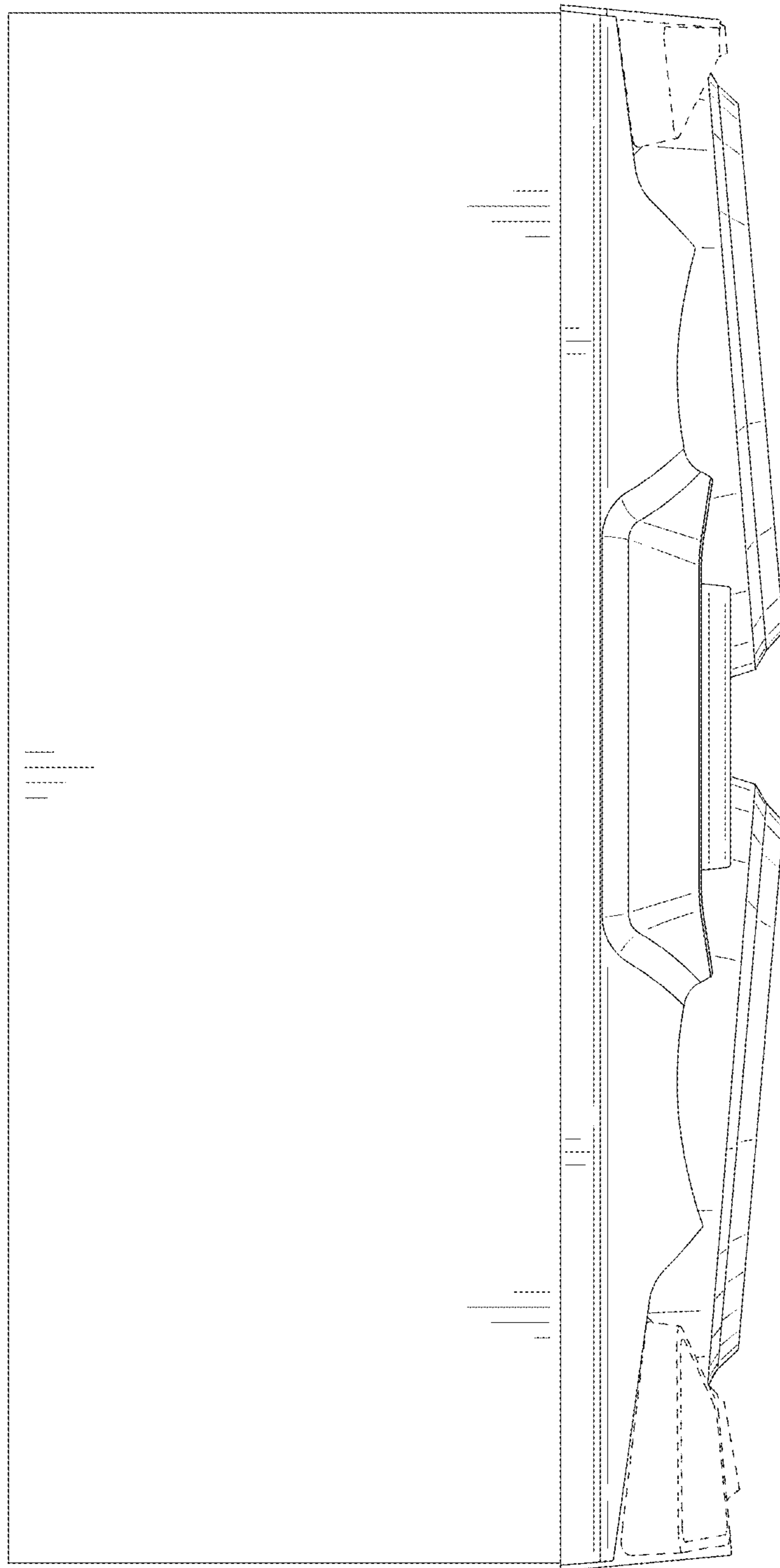


FIG. 5

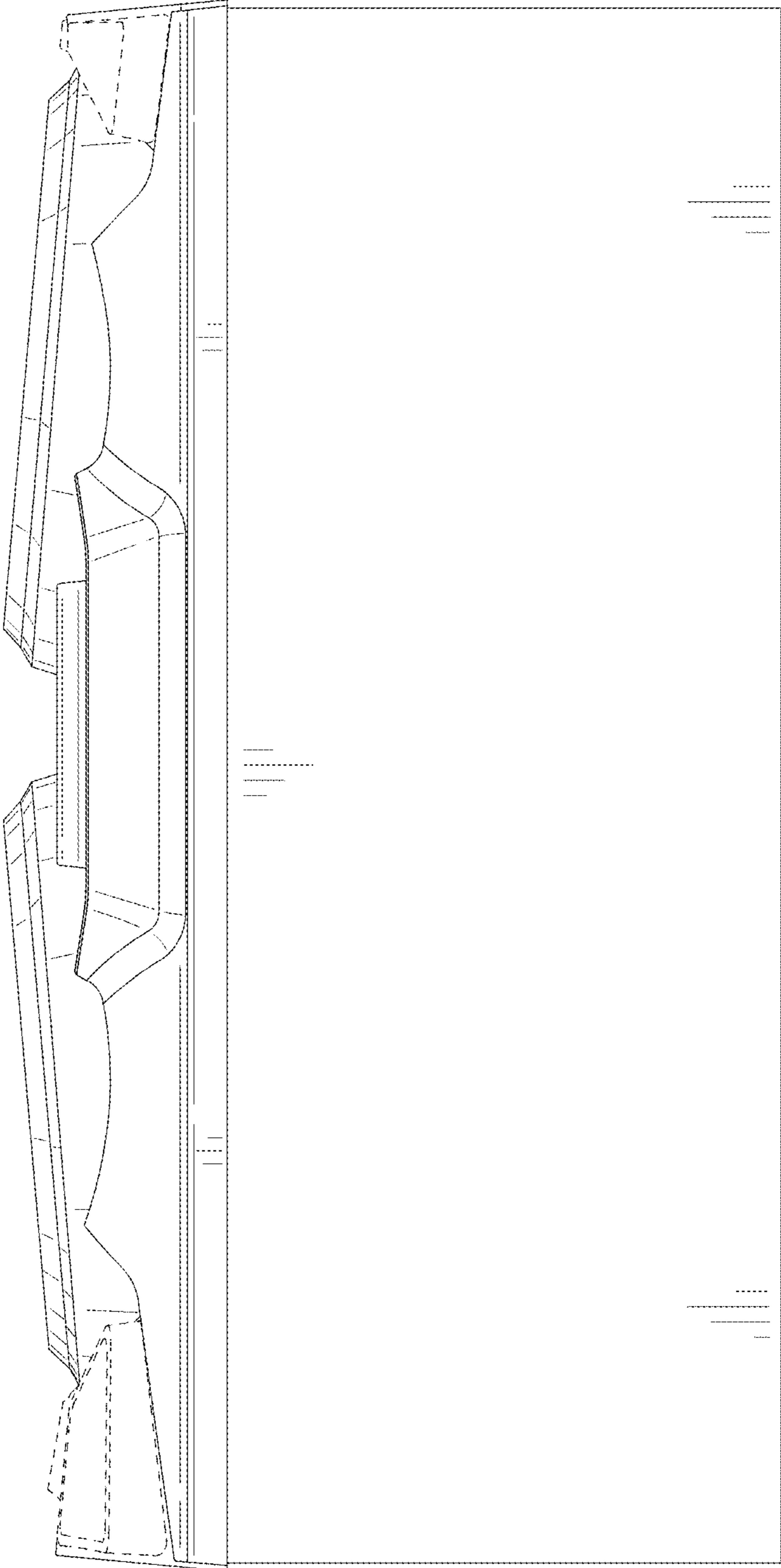


FIG. 6

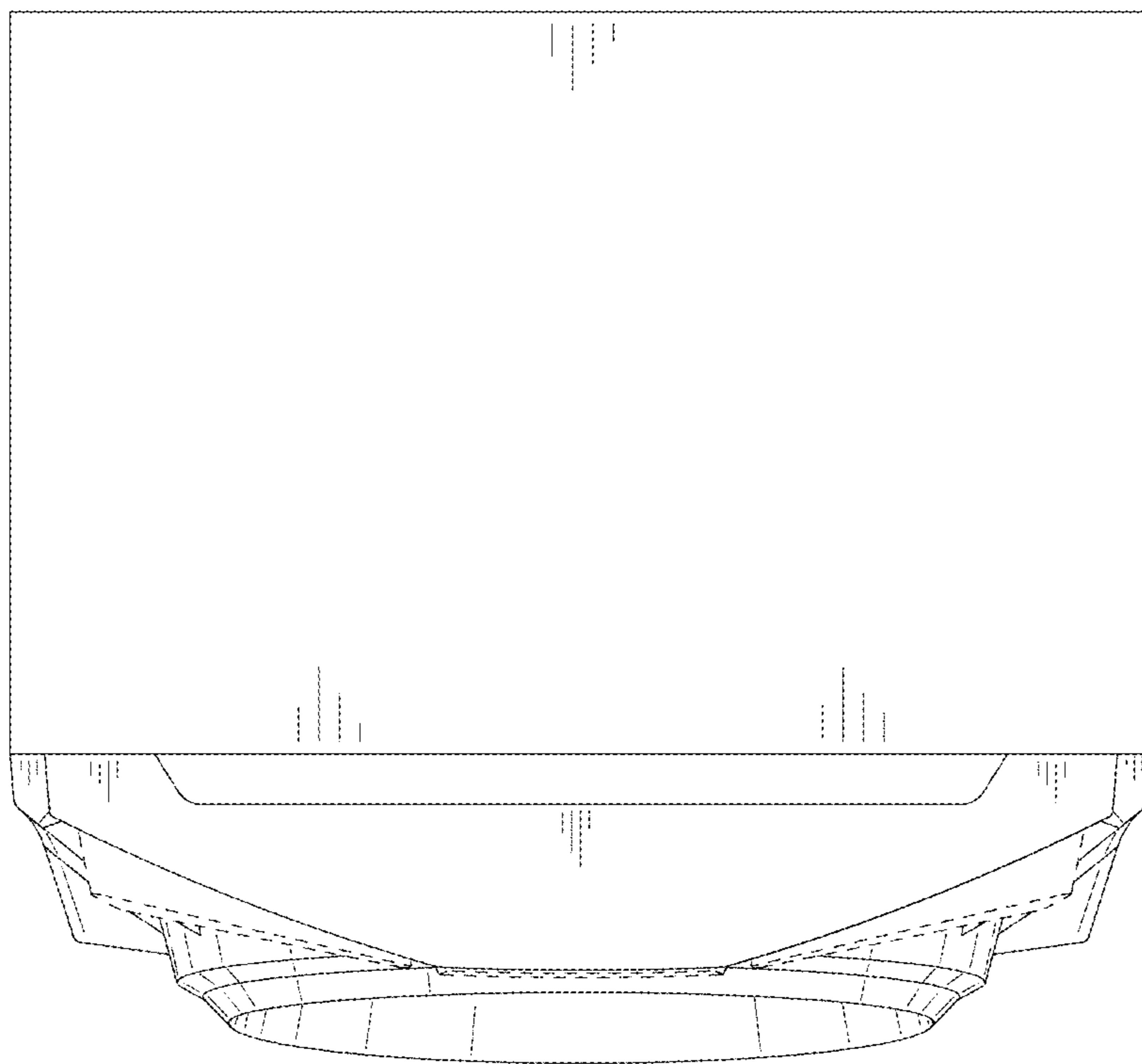


FIG. 7

