



US00D747697S

(12) **United States Design Patent**
Wildner et al.

(10) **Patent No.:** **US D747,697 S**
(45) **Date of Patent:** **** Jan. 19, 2016**

(54) **SPEAKER HAVING SLIDABLE BASE**

FOREIGN PATENT DOCUMENTS

(71) Applicant: **HTC Corporation**, Taoyuan County (TW)

TW 566928 12/2003

(72) Inventors: **Bernhard Wildner**, San Francisco, CA (US); **Rochus Emanuel Jacob**, San Francisco, CA (US)

OTHER PUBLICATIONS

“Notice of Allowance of Taiwan Counterpart Application”, issued on Jul. 29, 2014, p. 1-p. 4.

(73) Assignee: **HTC Corporation**, Taoyuan (TW)

Primary Examiner — Keli L Hill

(74) *Attorney, Agent, or Firm* — Jianq Chyun IP Office

(**) Term: **14 Years**

(57) **CLAIM**

The ornamental design for a speaker having slidable base, as shown and described.

(21) Appl. No.: **29/466,281**

DESCRIPTION

(22) Filed: **Sep. 6, 2013**

(51) **LOC (10) Cl.** **14-03**

(52) **U.S. Cl.**

USPC **D14/215**; D14/209.1

(58) **Field of Classification Search**

USPC D14/167, 168, 170–172, 188, 194–196, D14/204, 207, 209.1, 210–216, 219, 221, D14/222, 224, 496; 181/143, 144, 147, 148, 181/150, 153, 157, 198, 199; 381/300–303, 381/306, 332, 333, 336, 345, 361–364, 381/386–388; 369/6–12

CPC B60R 11/0217; G06F 1/1688; H04M 1/03; H04M 1/035; H04R 1/02; H04R 1/06; H04R 1/021; H04R 1/025; H04R 1/026; H04R 1/028; H04R 1/105; H04R 1/323; H04R 1/403; H04R 1/2803; H04R 1/2834; H04R 5/02; H04R 7/20; H04R 9/06; H04R 9/025; H04R 2201/021; H04R 2400/00; H04R 2400/07; H04R 2499/11; H04R 2499/13; H04R 2499/15; H04S 3/00; H04S 7/30

See application file for complete search history.

FIG. 1 is a perspective view of a speaker having slidable base showing a first embodiment our new design; FIG. 2 is another perspective view thereof; FIG. 3 is a front view thereof; FIG. 4 is a rear view thereof; FIG. 5 is a left side view thereof; FIG. 6 is a right side view thereof; FIG. 7 is a top view thereof; FIG. 8 is a bottom view thereof; FIG. 9 is a perspective view thereof in use; FIG. 10 is a perspective view thereof showing an electronic apparatus supported on the slidable base and leaned on the main body; FIG. 11 is a perspective view of a speaker having slidable base showing a second embodiment our new design; FIG. 12 is another perspective view thereof; FIG. 13 is a front view thereof; FIG. 14 is a rear view thereof; FIG. 15 is a left side view thereof; FIG. 16 is a right side view thereof; FIG. 17 is a top view thereof; FIG. 18 is a bottom view thereof; FIG. 19 is a perspective view thereof in use; and, FIG. 20 is a perspective view thereof showing an electronic apparatus supported on the slidable base and leaned on the main body.

The broken line subject matter in FIG. 10, and FIG. 20 is included for the purpose of illustrating unclaimed environment and forms no part of the claimed design. The broken line portions of the speaker having slidable base in all views represent unclaimed portions of the claimed design and form no part thereof.

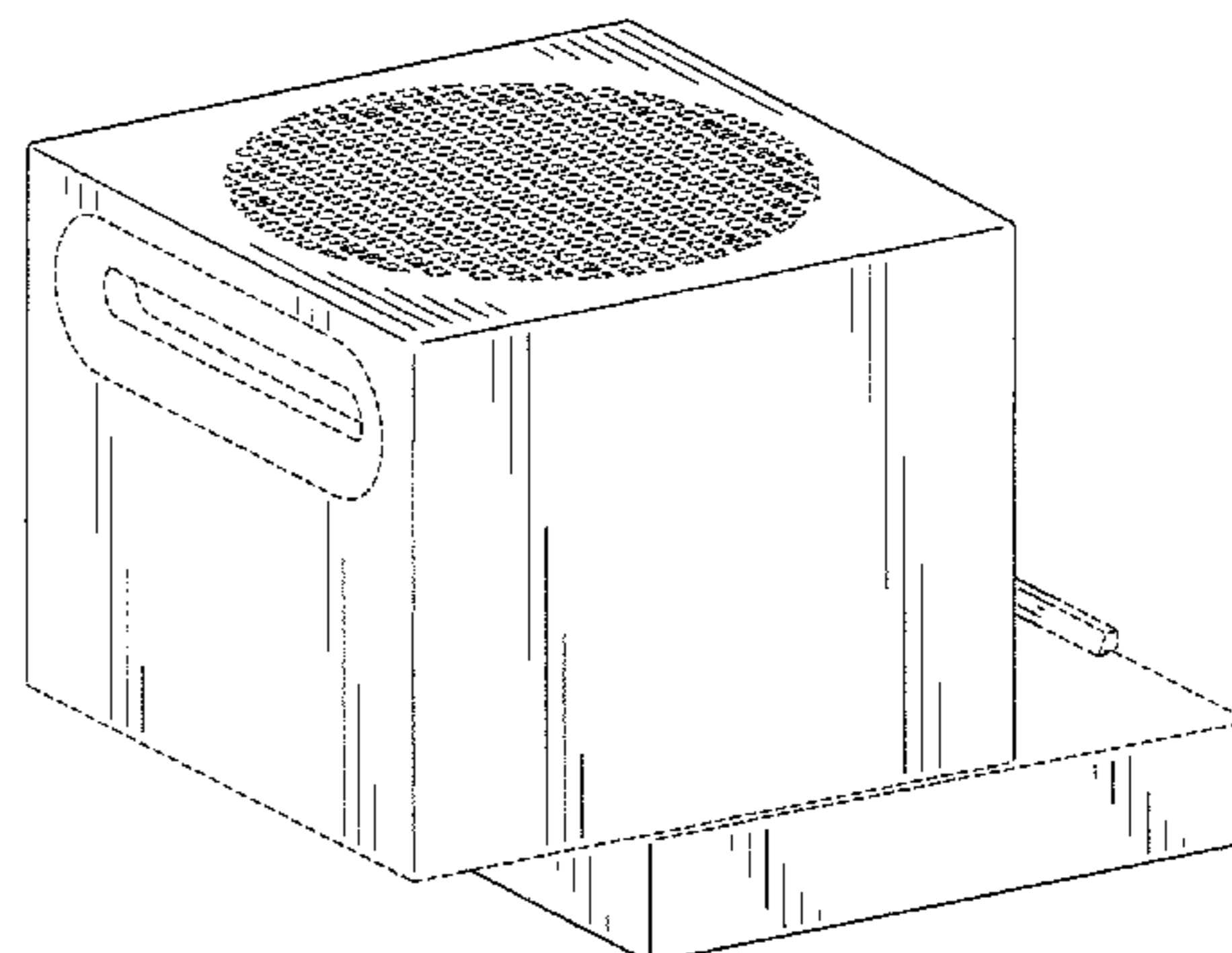
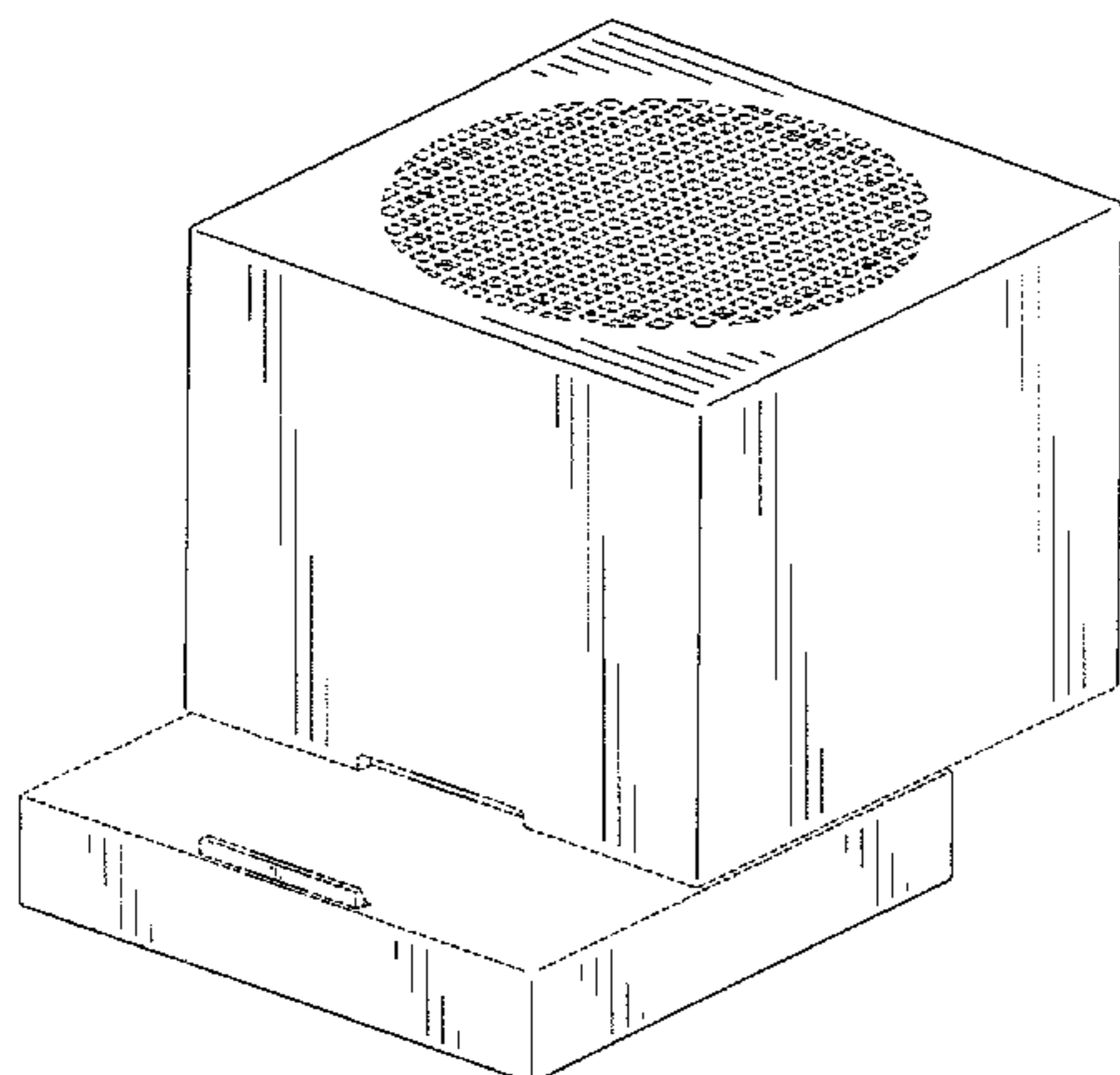
(56) **References Cited**

U.S. PATENT DOCUMENTS

D182,794 S * 5/1958 Eames D14/214
D230,194 S * 1/1974 Buckler D14/197

(Continued)

1 Claim, 20 Drawing Sheets



(56)

References Cited

U.S. PATENT DOCUMENTS

D242,259 S *	11/1976	Babb et al.	D14/214	D598,899 S *	8/2009	Tkachuk	D14/216
D278,811 S *	5/1985	White et al.	D14/211	D607,878 S *	1/2010	Murray	D14/216
D361,071 S *	8/1995	Mark	D14/211	D664,122 S *	7/2012	Cho et al.	D14/215
D448,748 S *	10/2001	Wong	D14/194	D676,421 S *	2/2013	Garrett	D14/214
D486,816 S *	2/2004	Nakajima et al.	D14/169	D678,243 S *	3/2013	McManigal et al.	D14/214
D575,801 S *	8/2008	Kusano et al.	D14/496	D680,097 S *	4/2013	Davies et al.	D14/215
				D682,249 S *	5/2013	Esslinger	D14/172
				D691,115 S *	10/2013	Silvera	D14/215
				D714,249 S *	9/2014	Carney et al.	D14/140

* cited by examiner

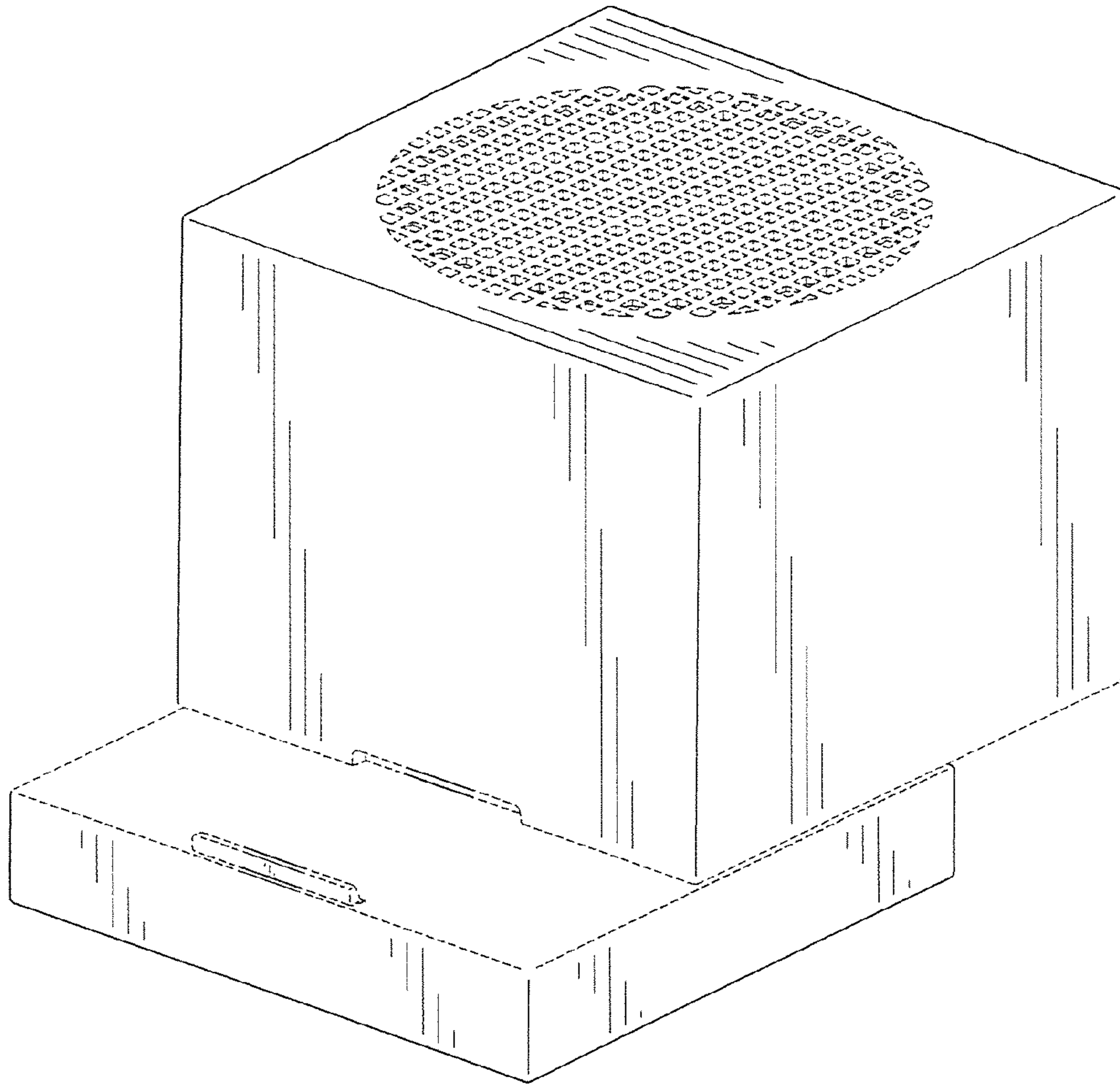


FIG. 1

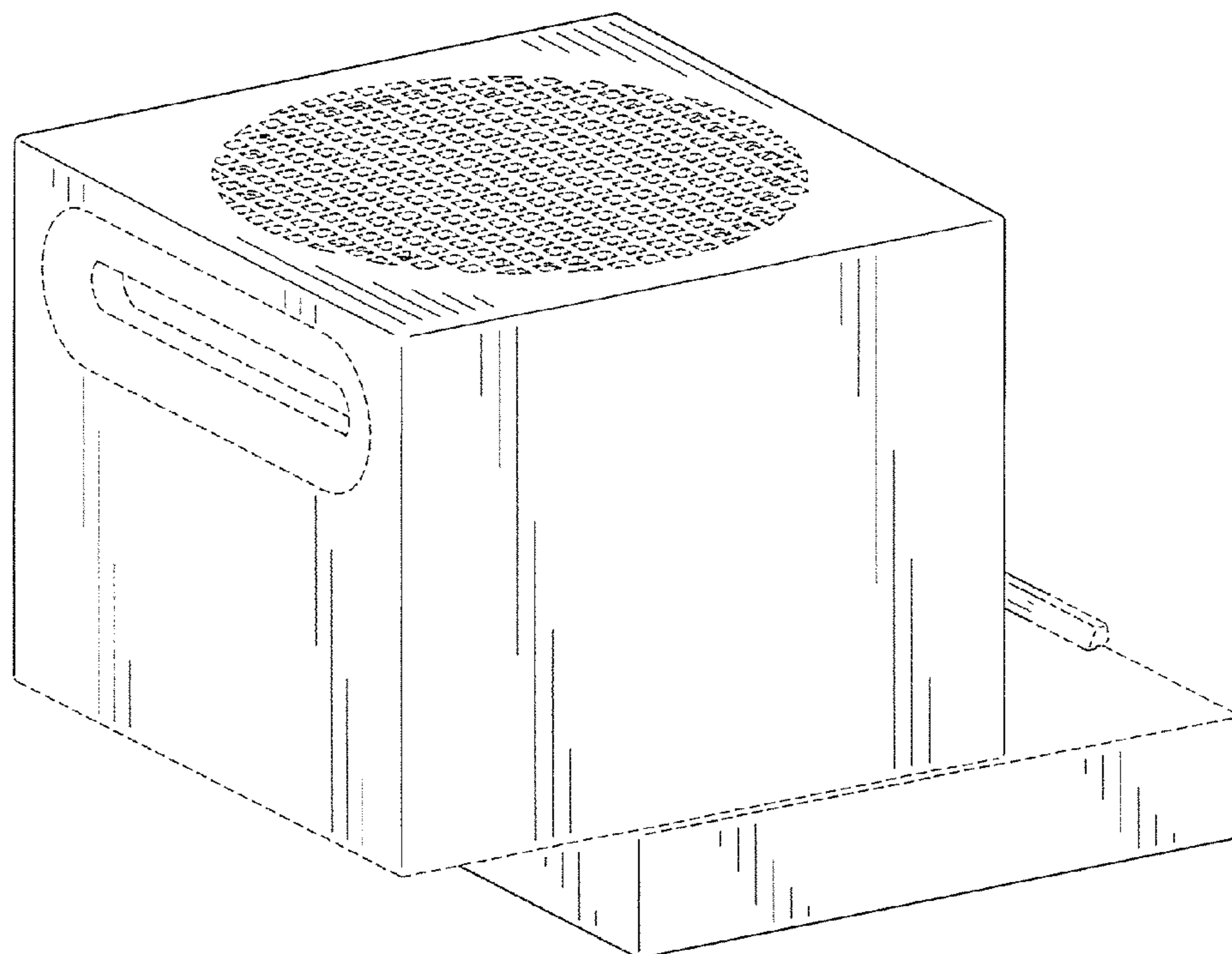


FIG. 2

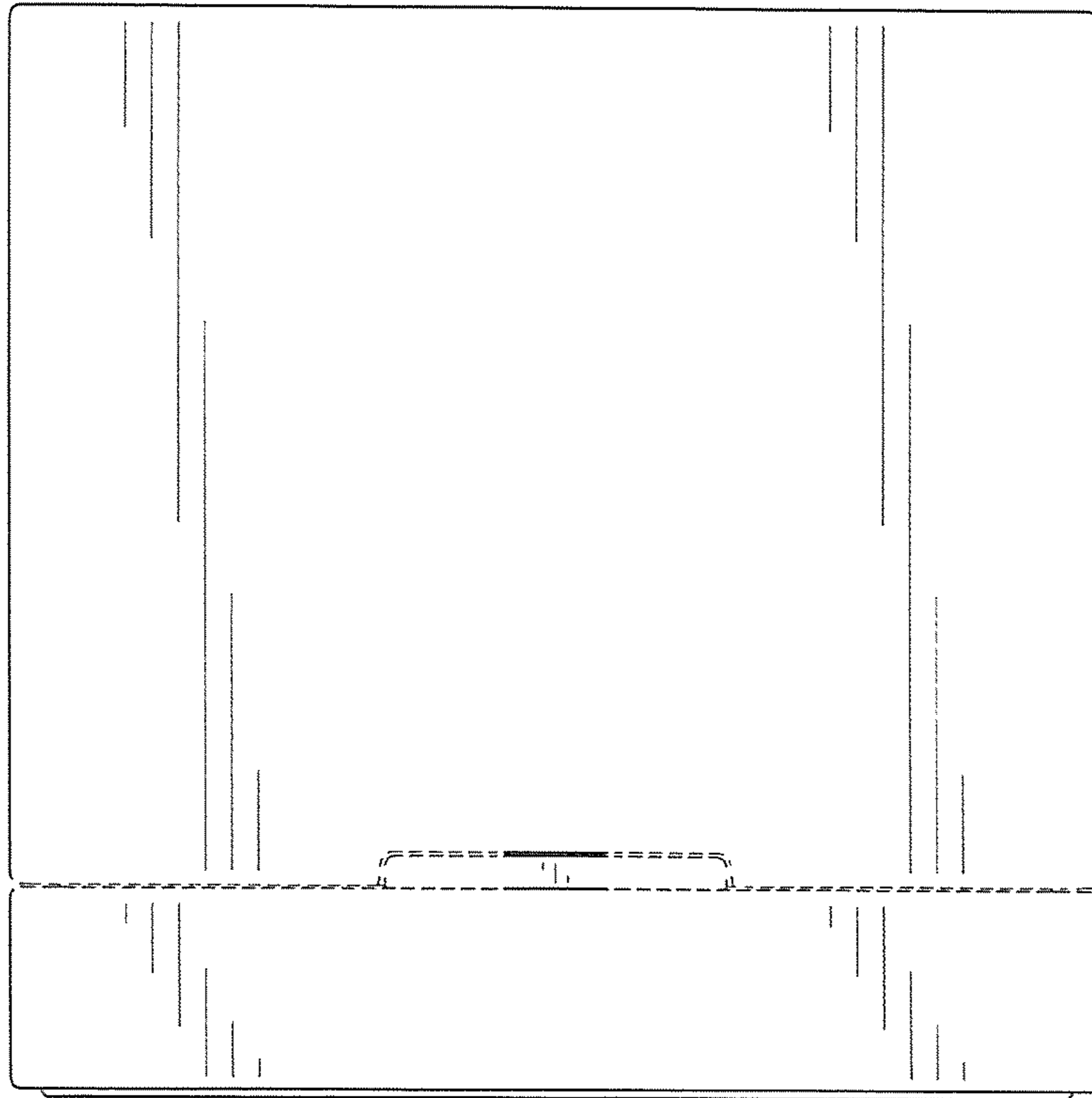


FIG. 3

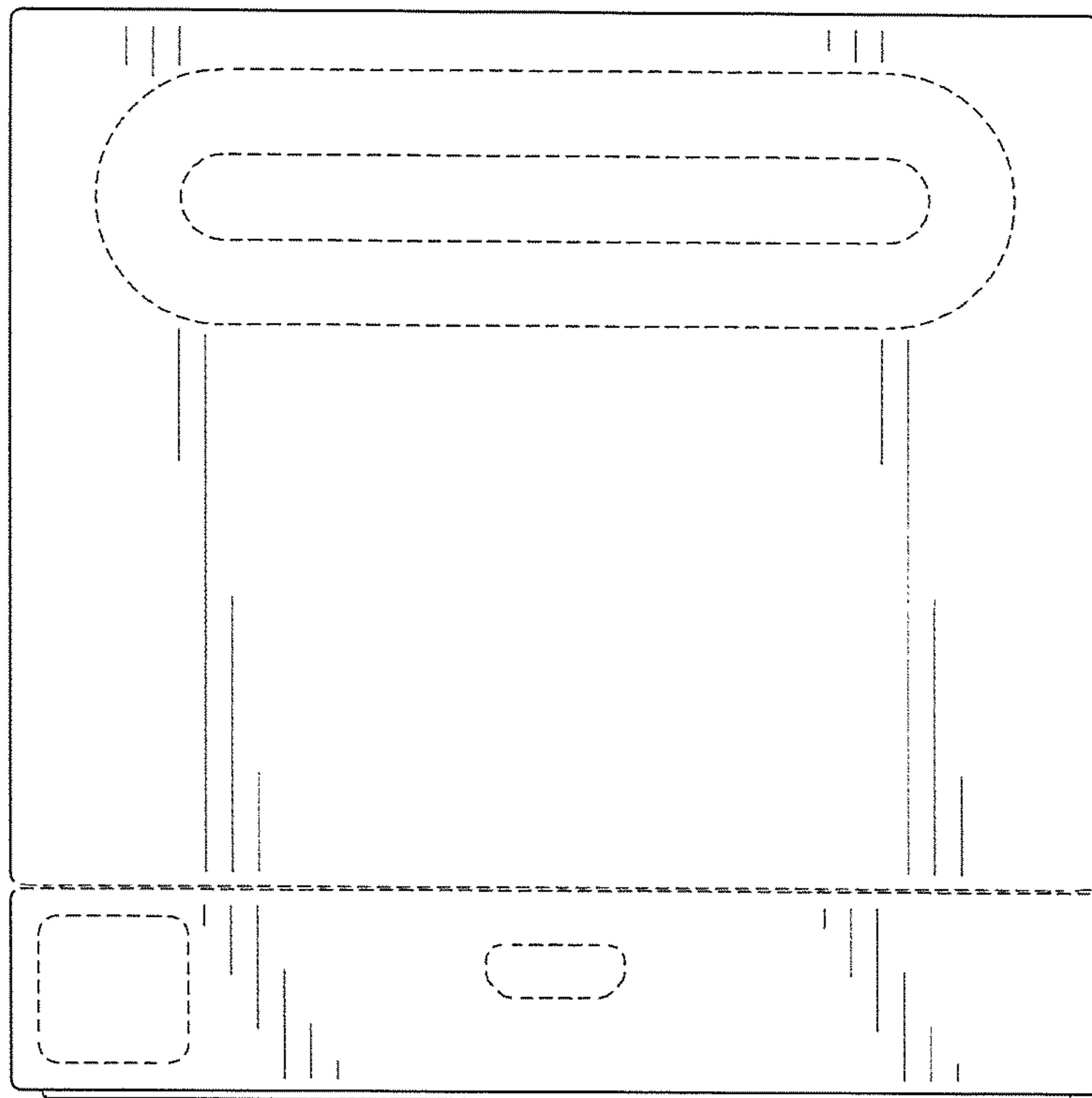


FIG. 4

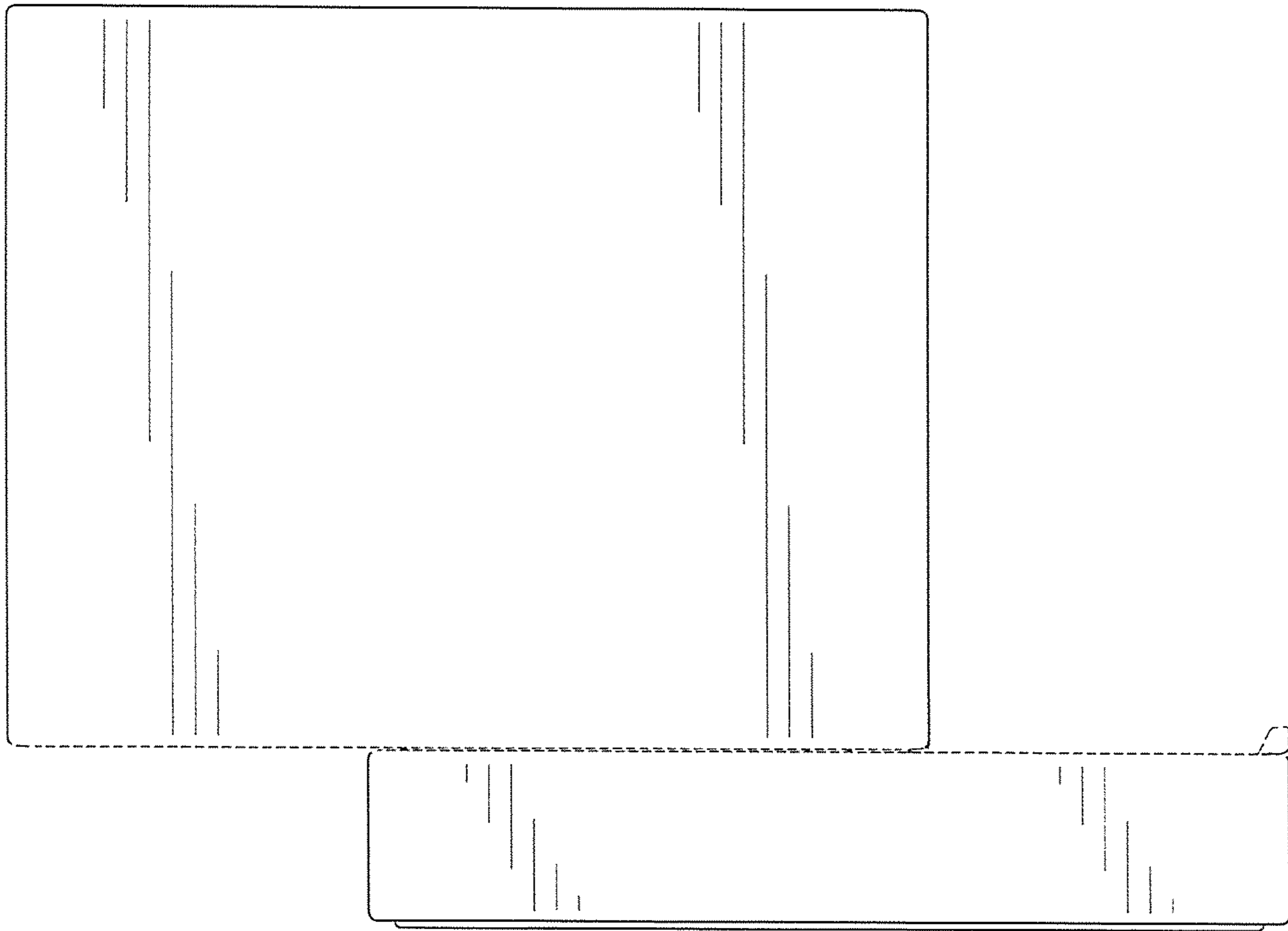


FIG. 5

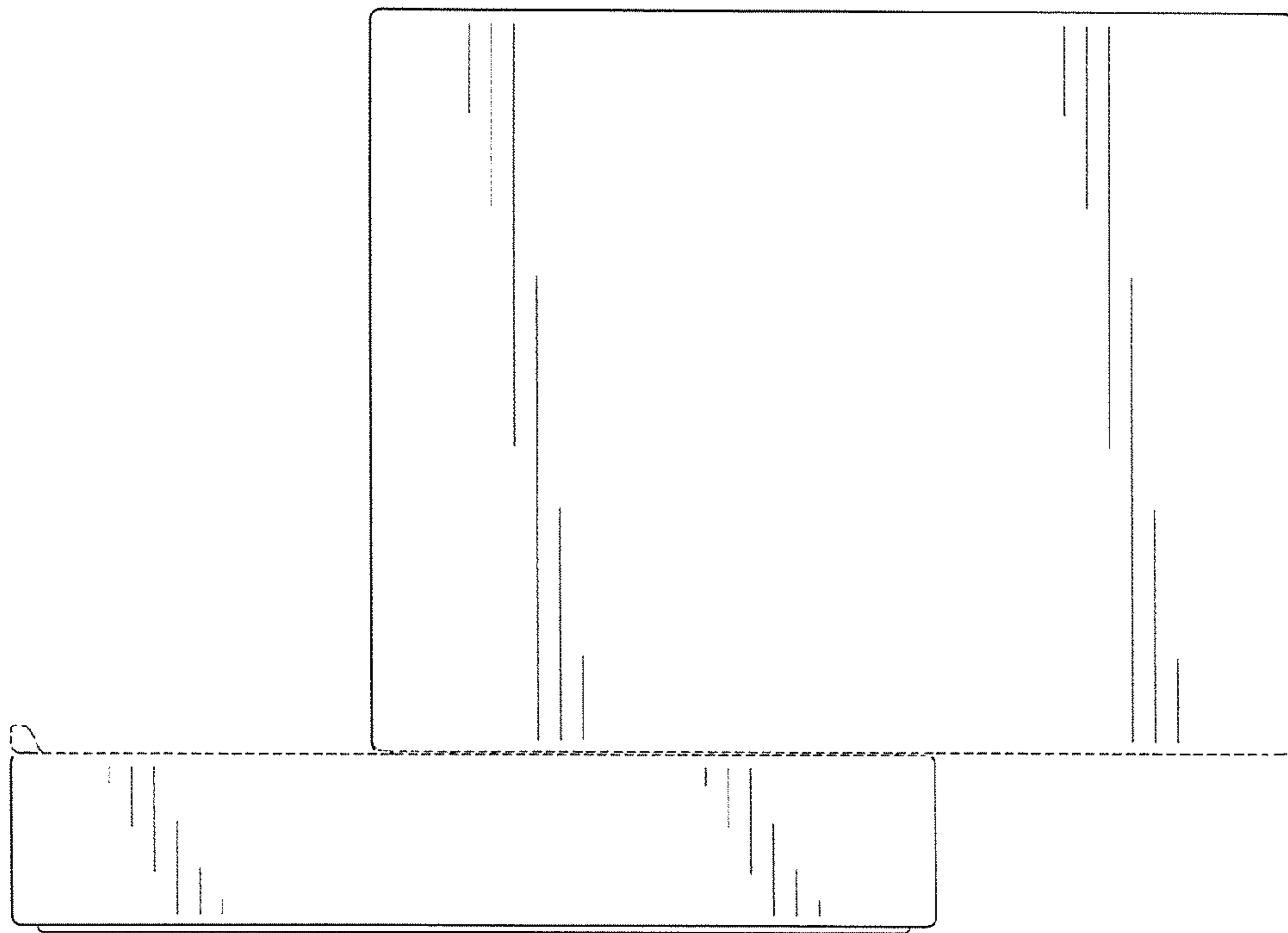


FIG. 6

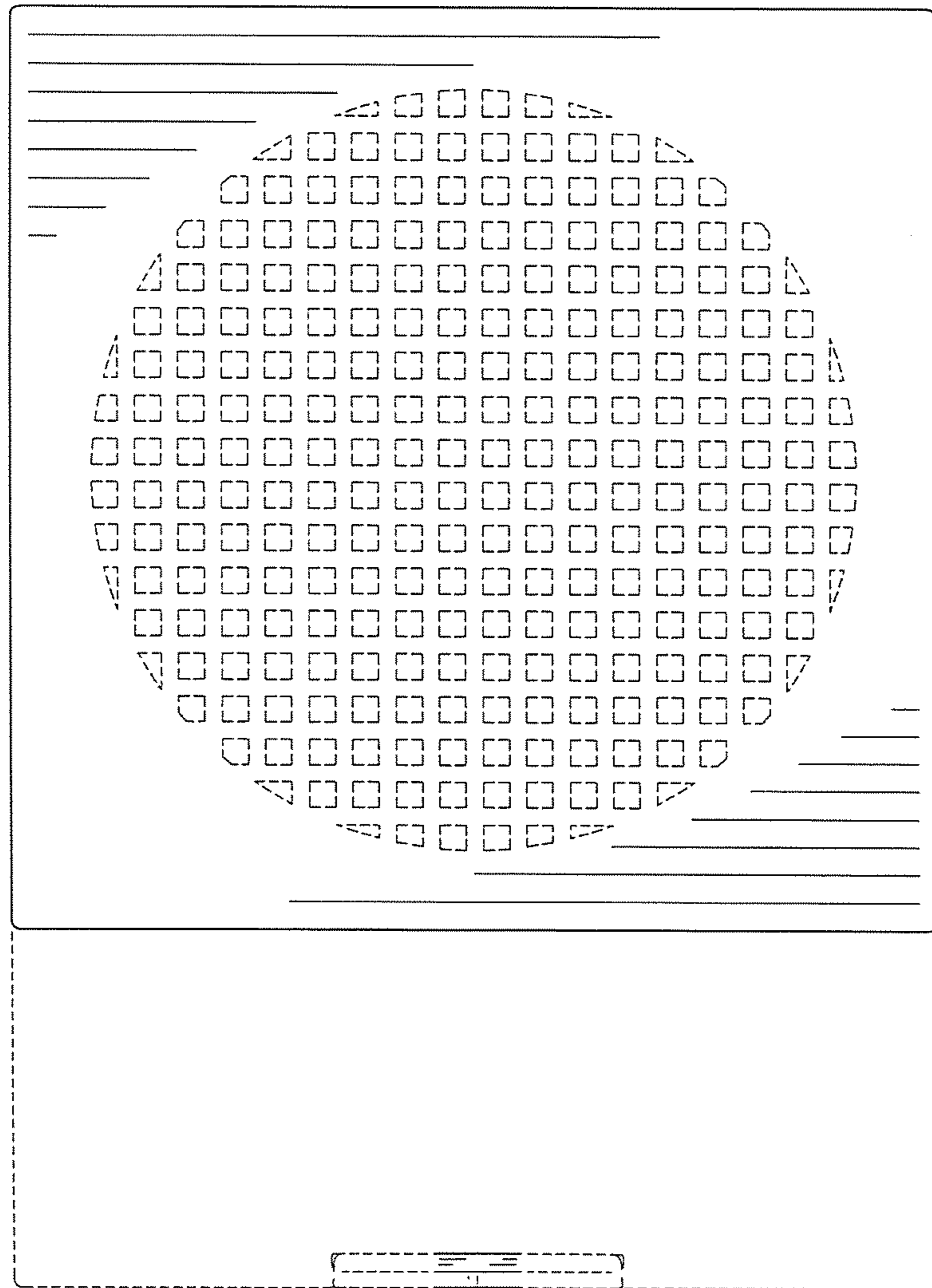


FIG. 7

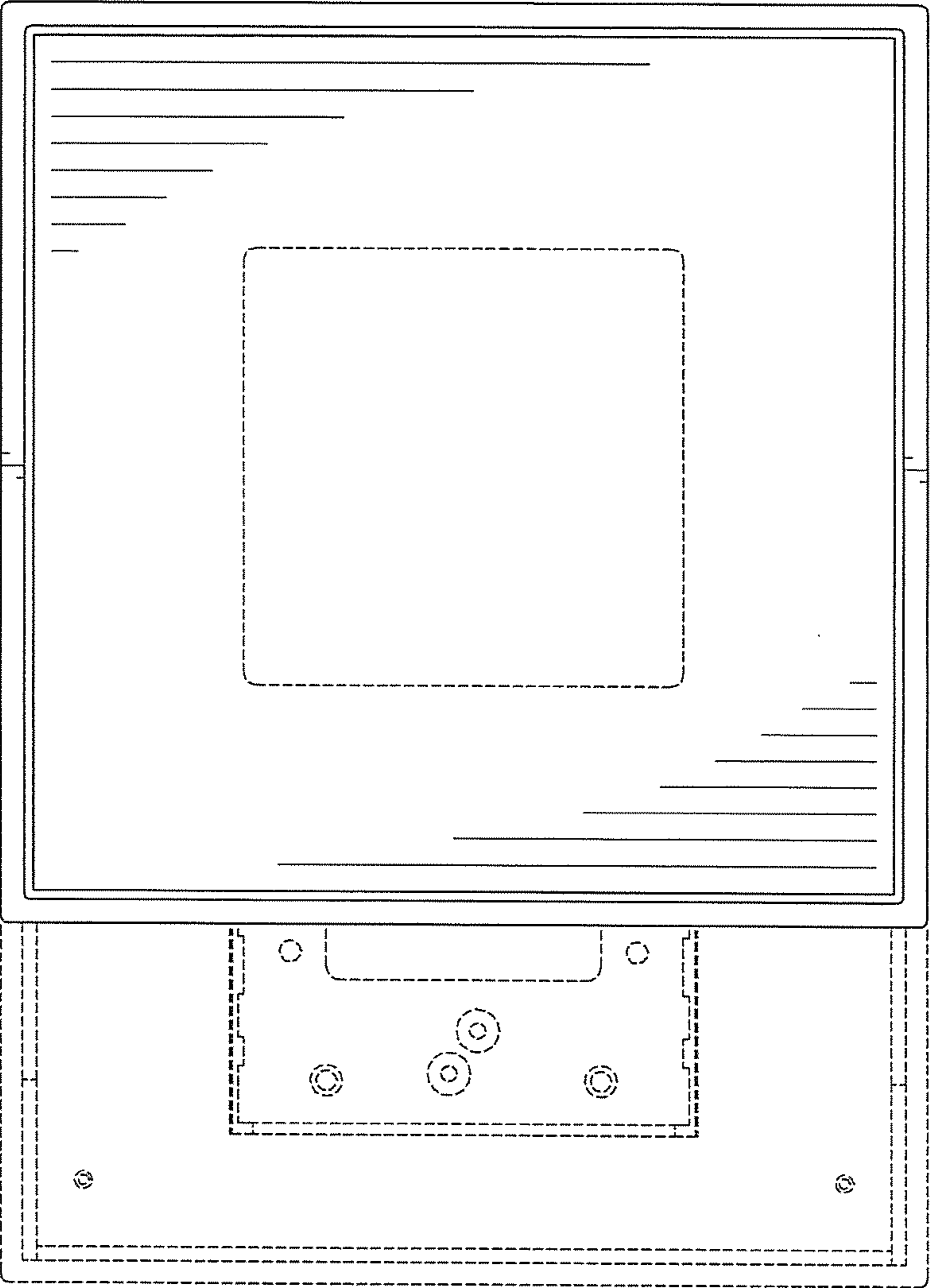


FIG. 8

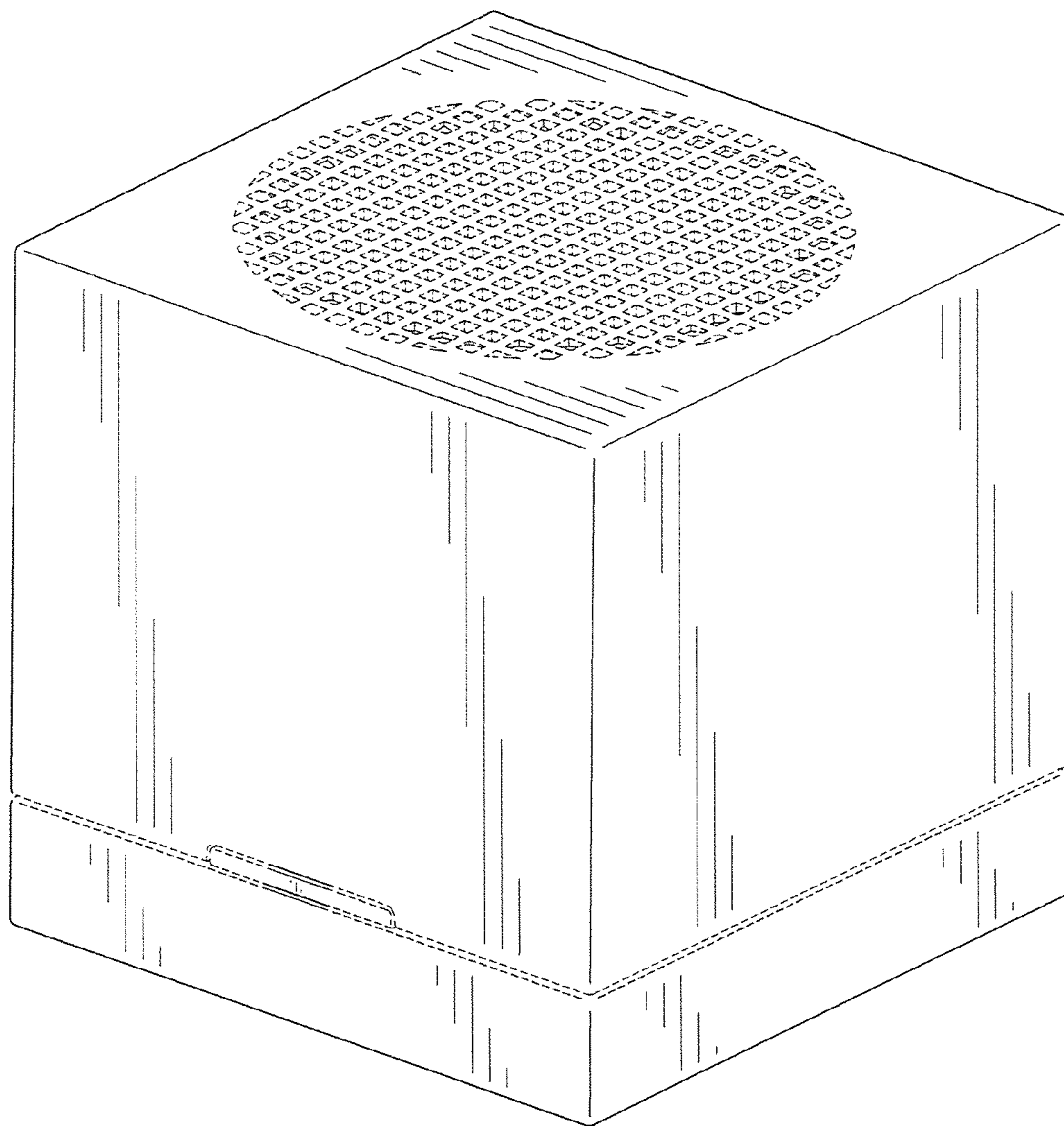


FIG. 9

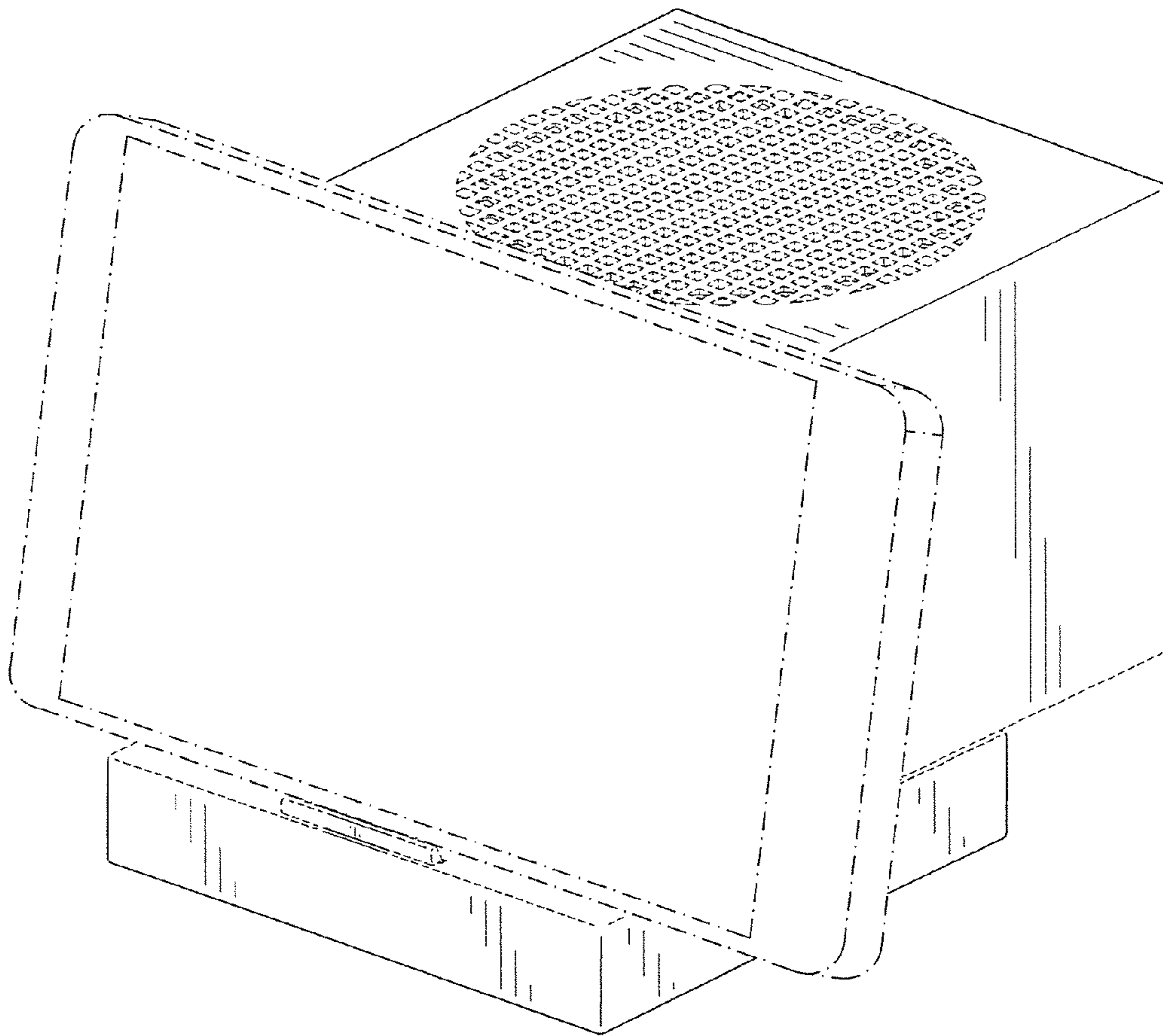


FIG. 10

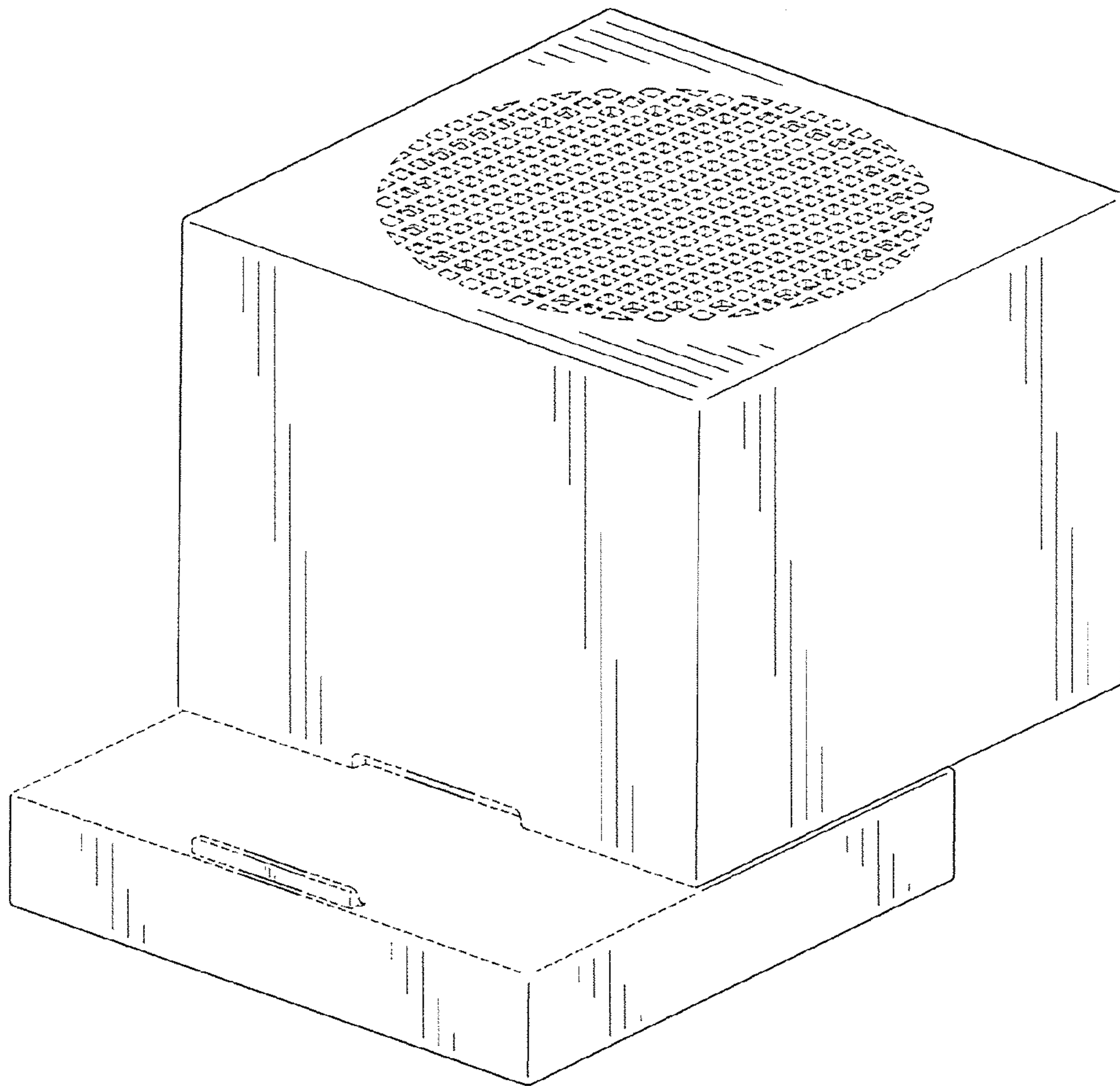


FIG. 11

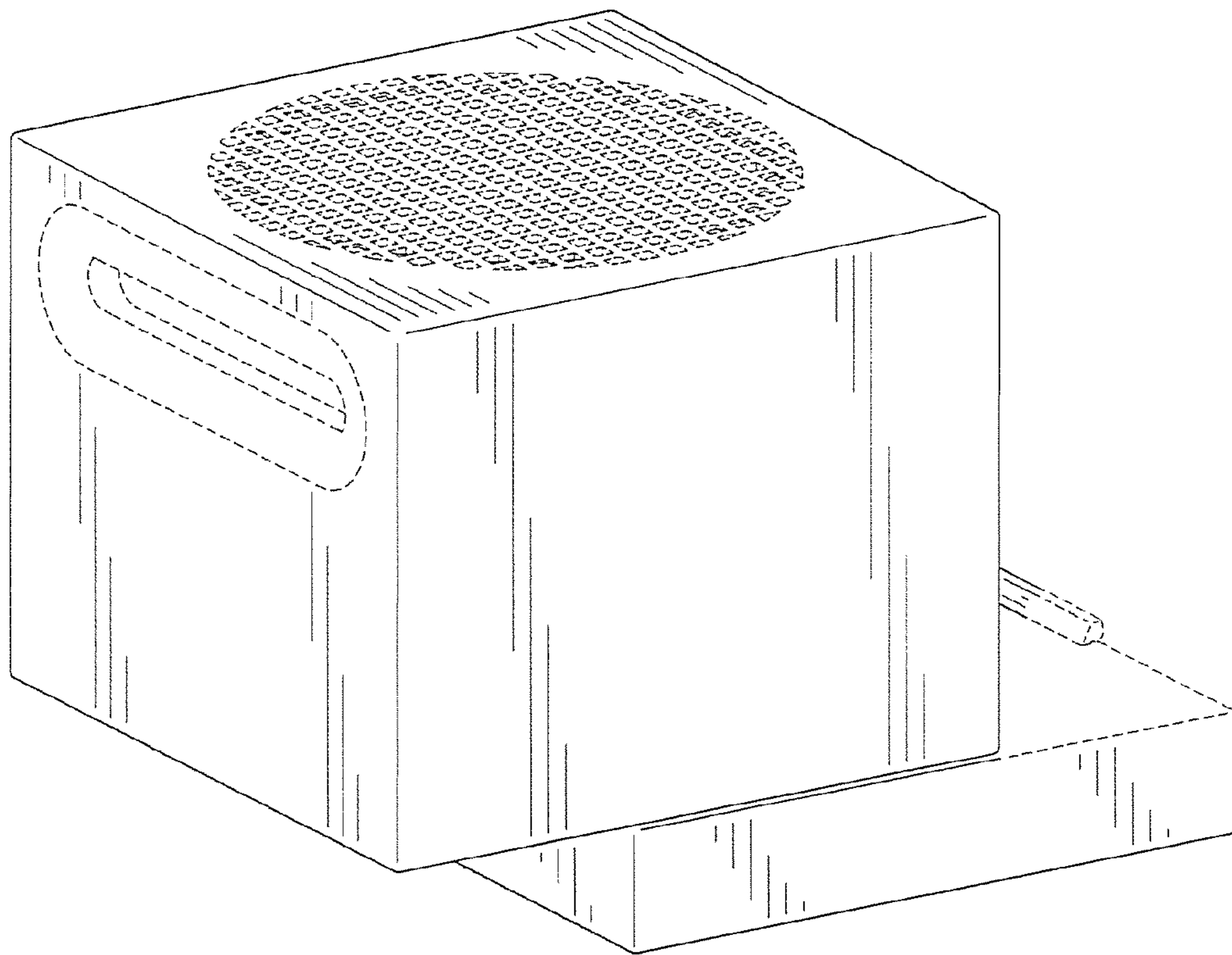


FIG. 12

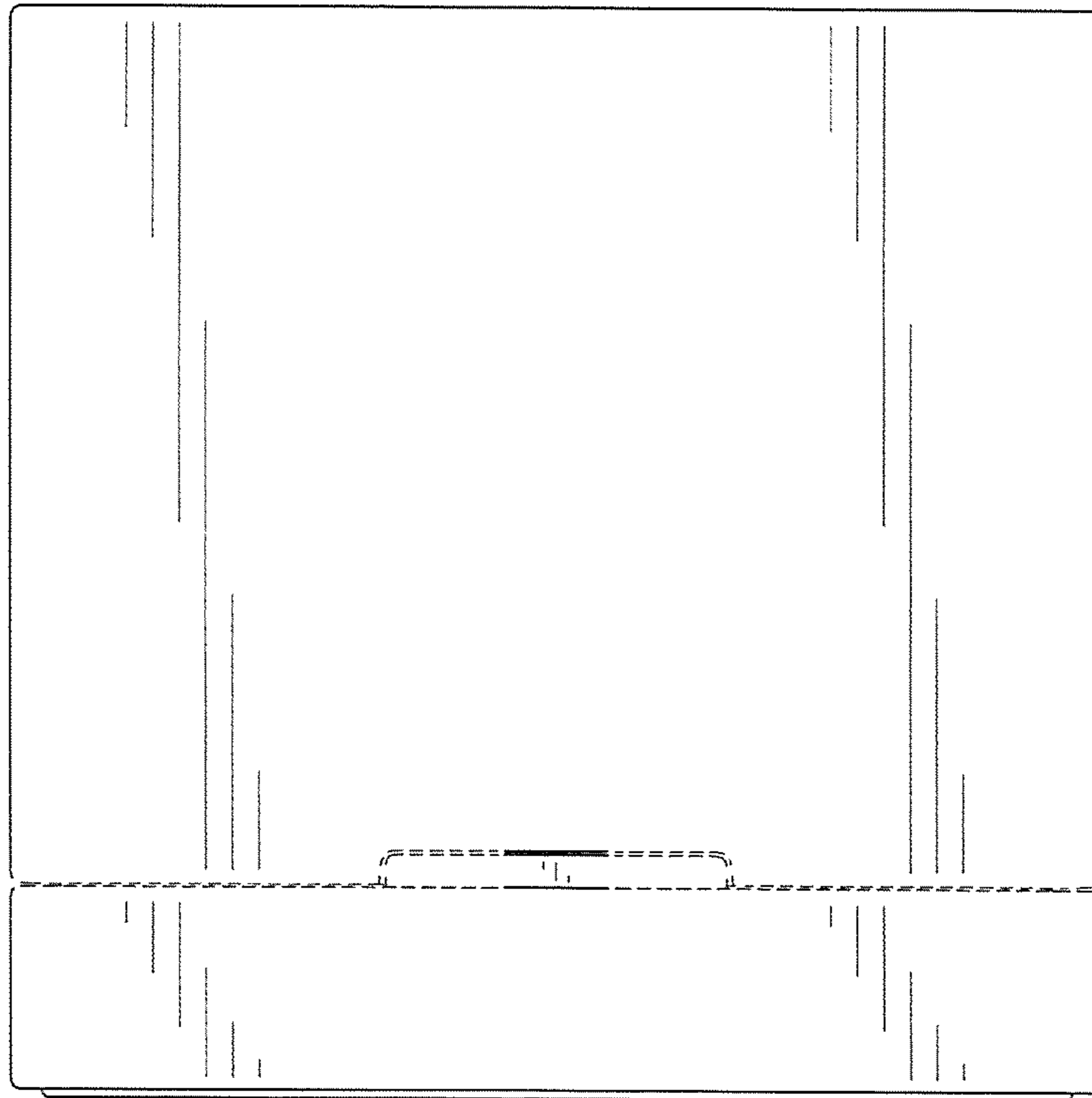


FIG. 13

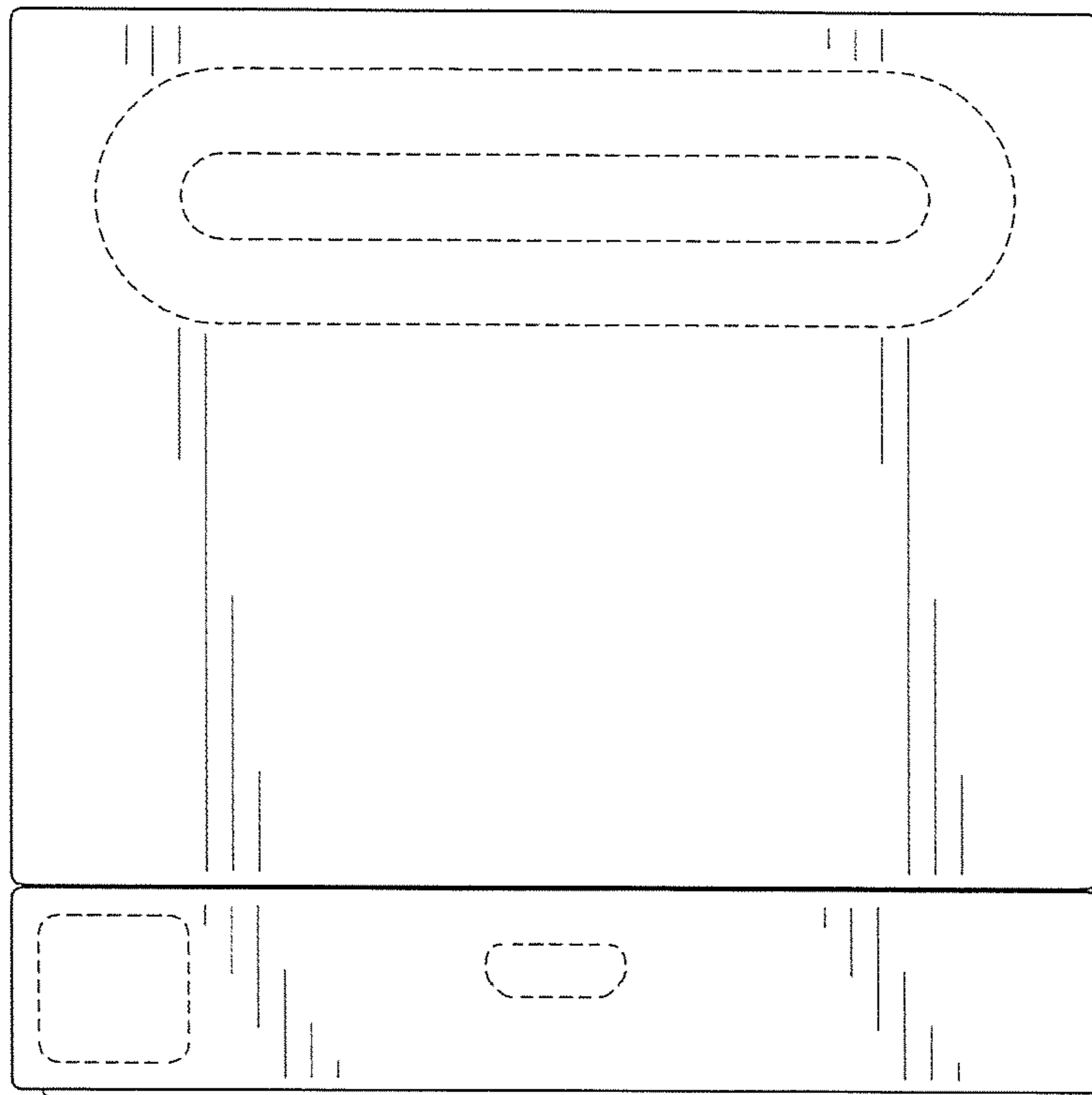


FIG. 14

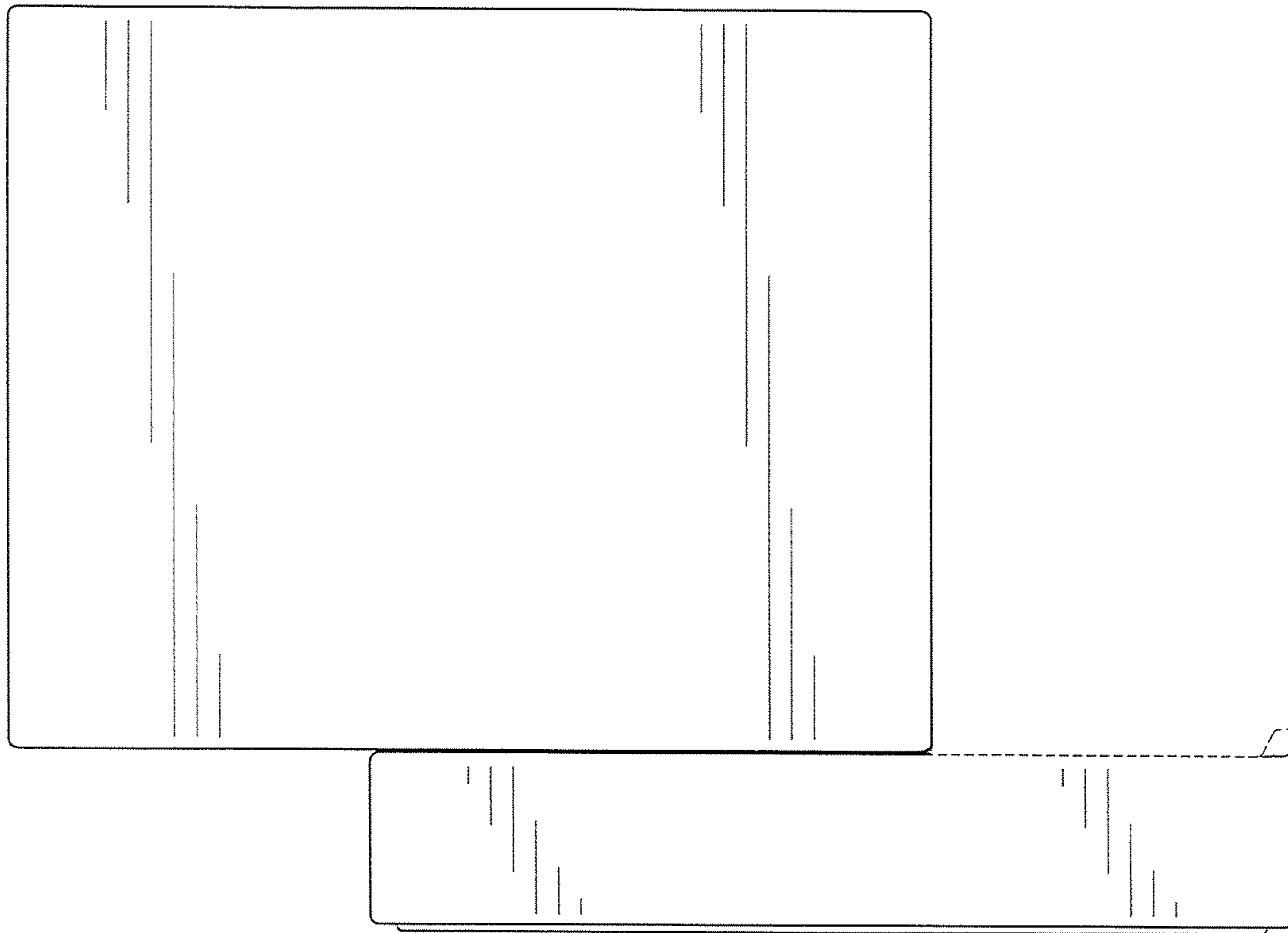


FIG. 15

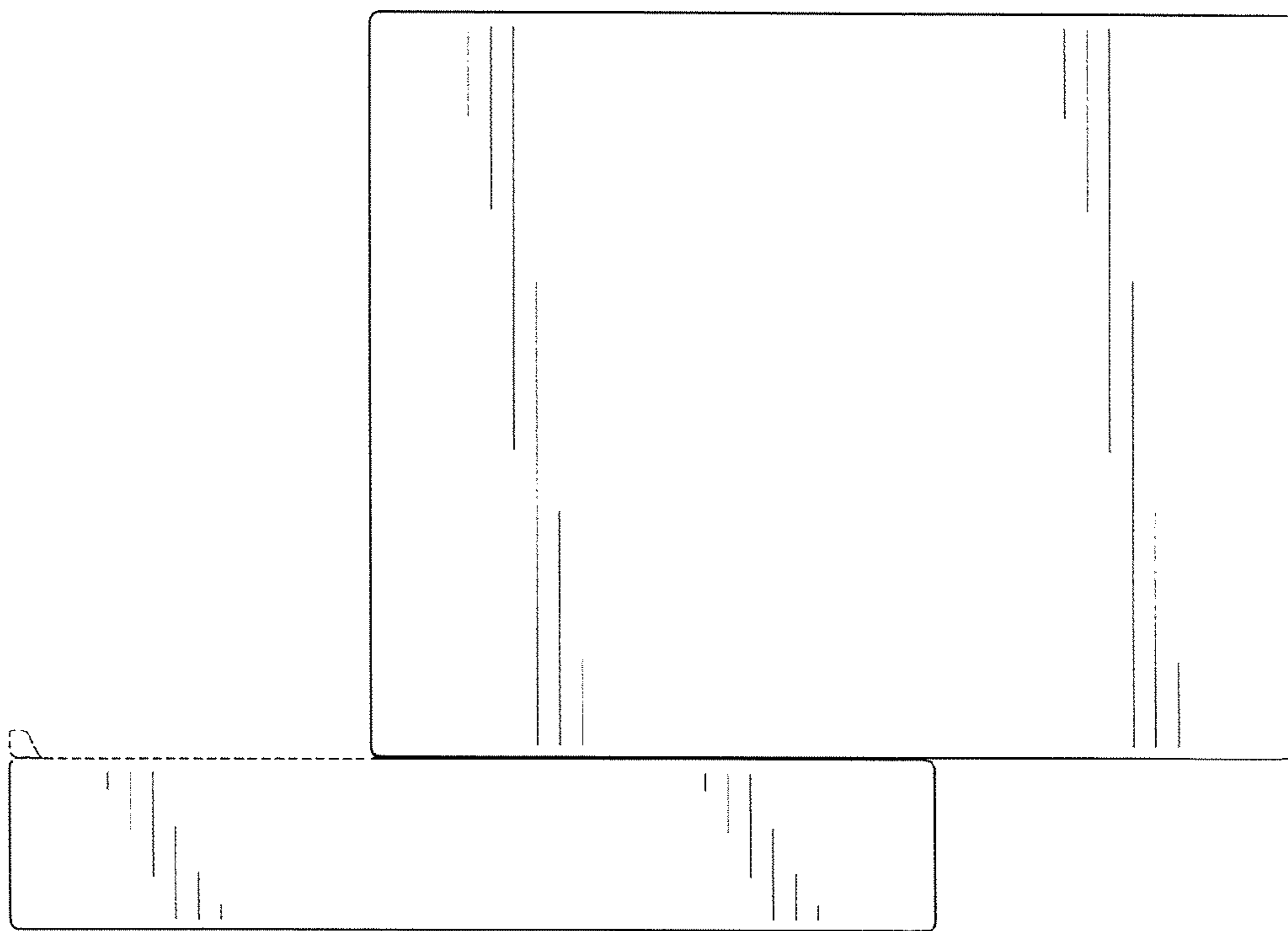


FIG. 16

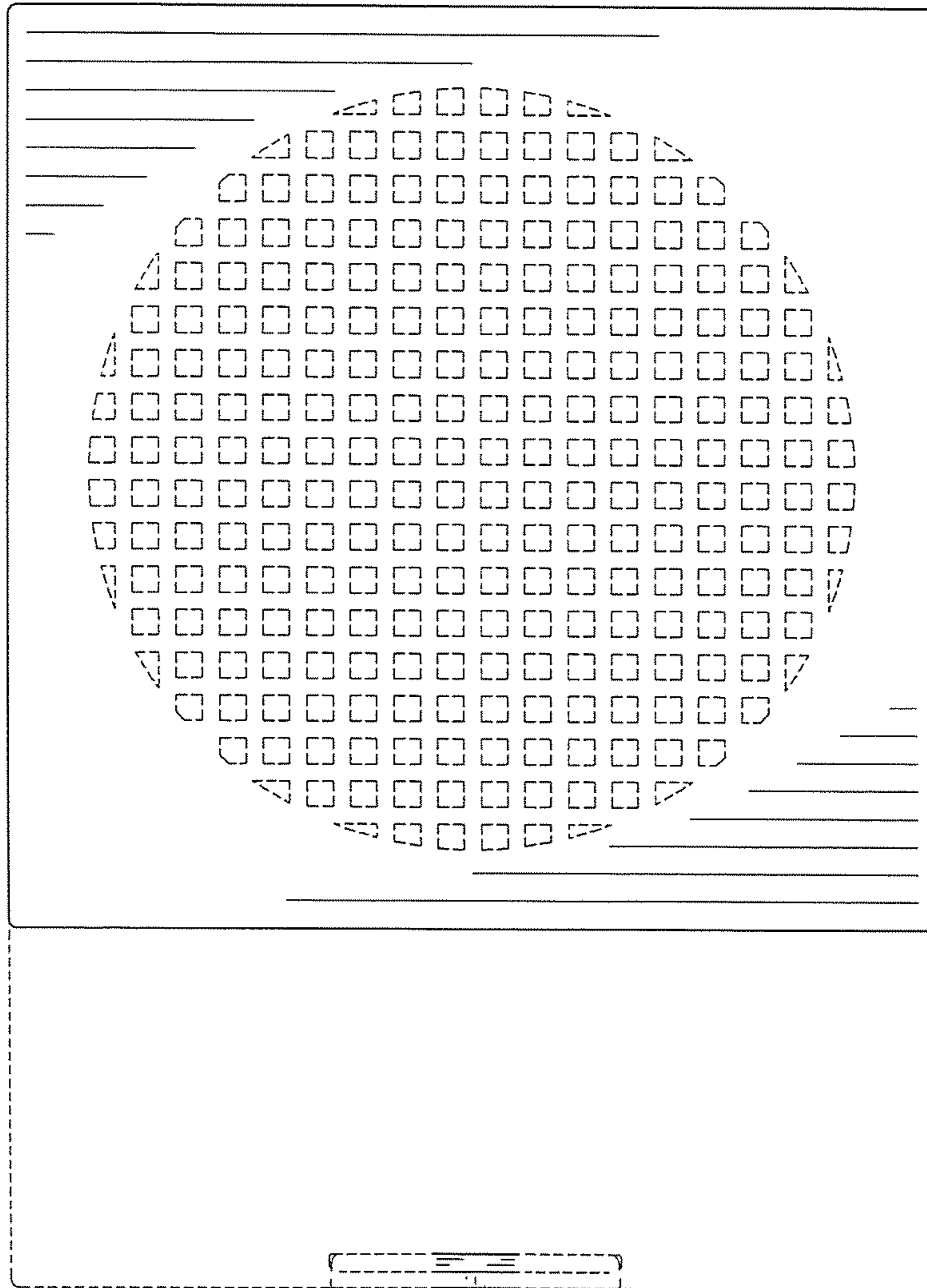


FIG. 17

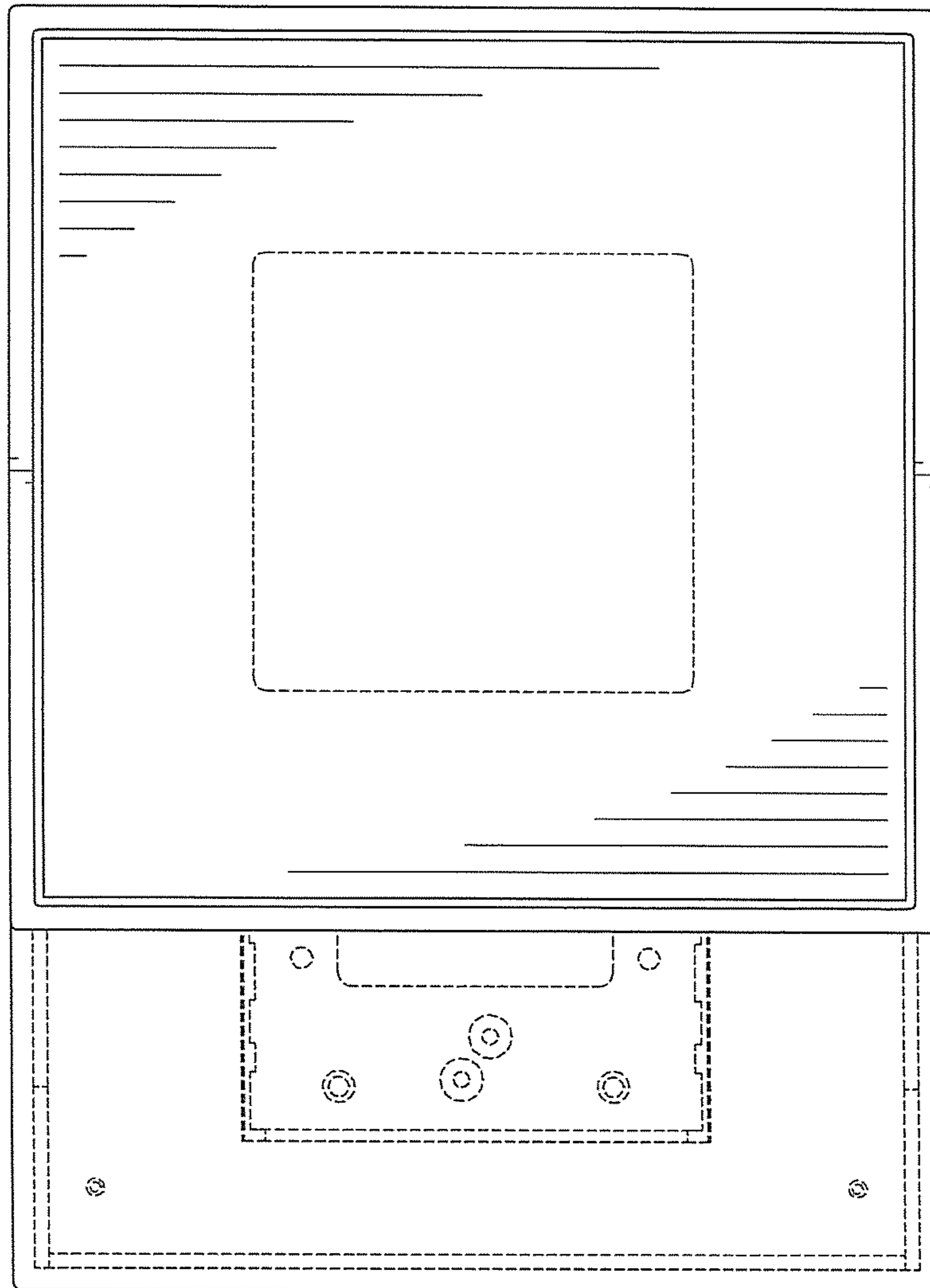


FIG. 18

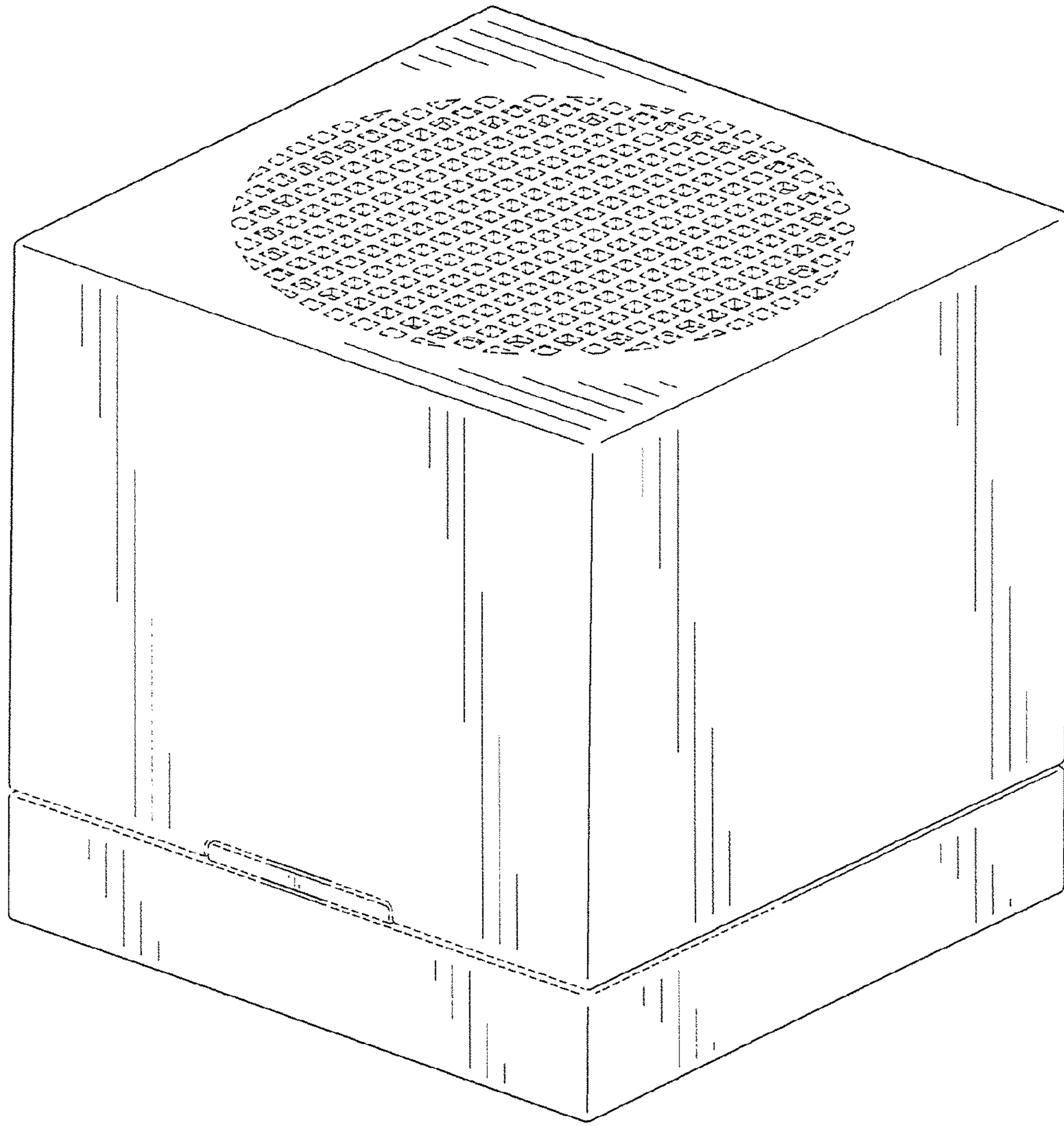


FIG. 19

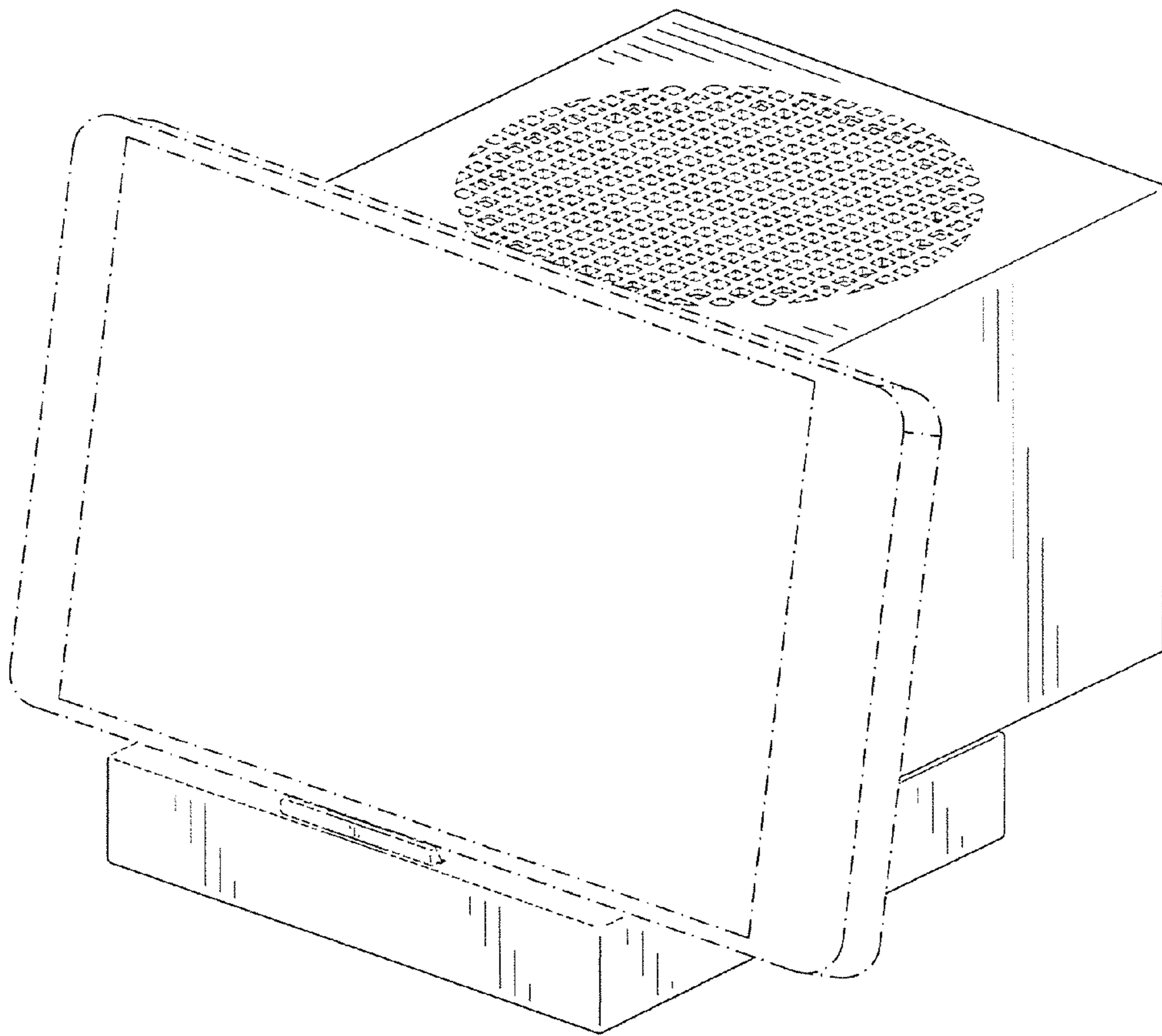


FIG. 20