



US00D747696S

(12) **United States Design Patent**
Hardi

(10) **Patent No.:** **US D747,696 S**
(45) **Date of Patent:** **** Jan. 19, 2016**

(54) **SPORT HEADSET**

(71) Applicant: **Muzik LLC**, Miami Beach, FL (US)

(72) Inventor: **Jason Hardi**, Miami Beach, FL (US)

(73) Assignee: **Muzik LLC**, Miami Beach, FL (US)

(**) Term: **14 Years**

(21) Appl. No.: **29/511,976**

(22) Filed: **Dec. 16, 2014**

(51) **LOC (10) Cl.** **14-01**

(52) **U.S. Cl.**
USPC **D14/205**

(58) **Field of Classification Search**
USPC D14/205, 372, 240, 249, 259; D2/866,
D2/875; D29/112, 209.13; 2/171.2;
181/129, 130, 135; 379/430, 431;
381/380, 381, 25, 376
CPC H04R 25/00
See application file for complete search history.

4,682,363 A * 7/1987 Goldfarb et al. 381/74
4,727,599 A * 2/1988 Rappaport et al. 455/351
4,864,619 A * 9/1989 Spates 381/309
D315,812 S * 3/1991 Cionni D29/112
5,265,165 A * 11/1993 Rauch 381/309
5,303,426 A * 4/1994 Jones 2/181
5,329,592 A * 7/1994 Altman 381/379
5,438,698 A * 8/1995 Burton et al. 455/351
D384,790 S * 10/1997 Juergens D2/866
5,881,390 A * 3/1999 Young 2/209.13
D446,609 S * 8/2001 Hill D29/112
D547,500 S * 7/2007 Karrman D29/112
D672,938 S * 12/2012 Von Euler D2/875
D673,135 S * 12/2012 Marcin D14/205
D673,136 S * 12/2012 Kelly et al. D14/205
2006/0185062 A1 * 8/2006 Peng et al. 2/209.13

* cited by examiner

Primary Examiner — Paula Greene

(74) *Attorney, Agent, or Firm* — Perkins Coie LLP

(57) **CLAIM**

The ornamental design for a sport headset, as shown and described.

DESCRIPTION

FIG. 1 is a perspective view of an embodiment of a sport headset showing our design.

FIG. 2 is a front view thereof.

FIG. 3 is a back view thereof.

FIG. 4 is a left side view thereof.

FIG. 5 is a right side view thereof.

FIG. 6 is a top view thereof; and,

FIG. 7 is a bottom view thereof.

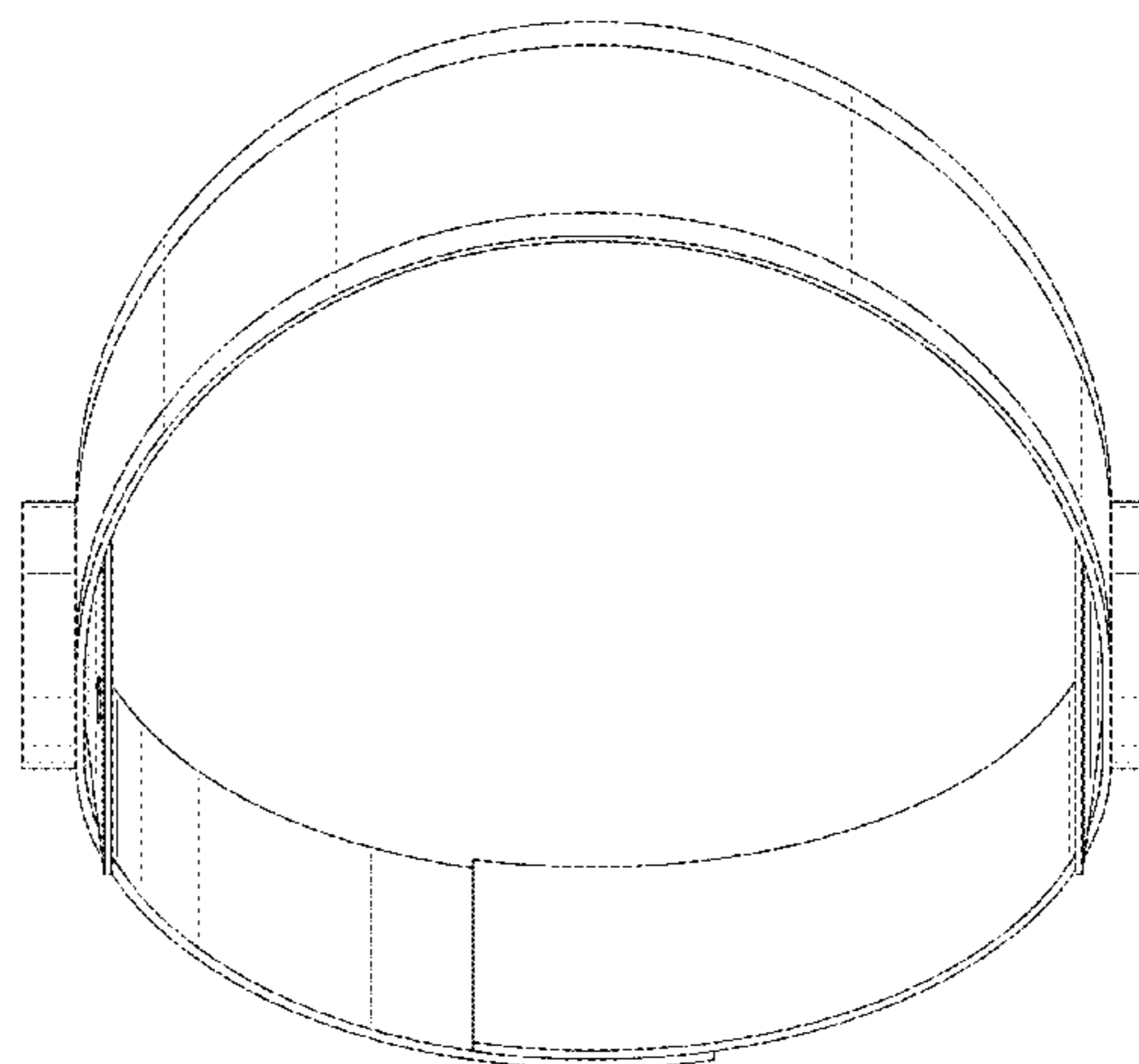
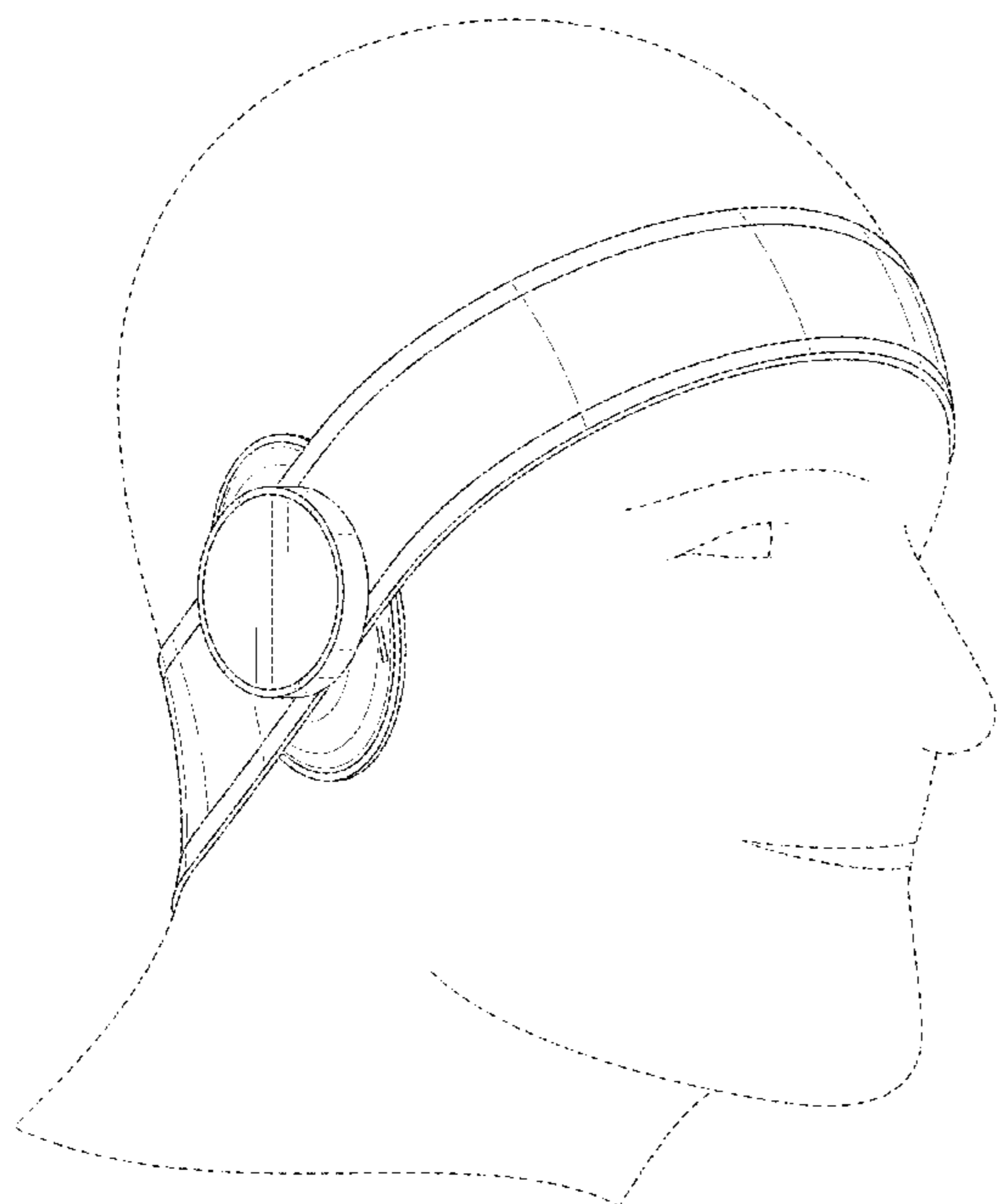
The broken lines form no part of the claimed design.

1 Claim, 7 Drawing Sheets

(56) **References Cited**

U.S. PATENT DOCUMENTS

2,361,963 A * 11/1944 Rosenblatt 181/22
2,474,386 A * 6/1949 Volkmann 381/378
D192,070 S * 1/1962 Wall D29/112
4,173,715 A * 11/1979 Gosman 381/382
D258,433 S * 3/1981 Bulmash et al. D14/192
D262,455 S * 12/1981 Bulmash et al. D14/192
D277,330 S * 1/1985 Wasson D2/877
D282,020 S * 1/1986 Gwon D2/866
D284,080 S * 6/1986 Swezey et al. D14/192
4,648,130 A * 3/1987 Kuznetz 455/351



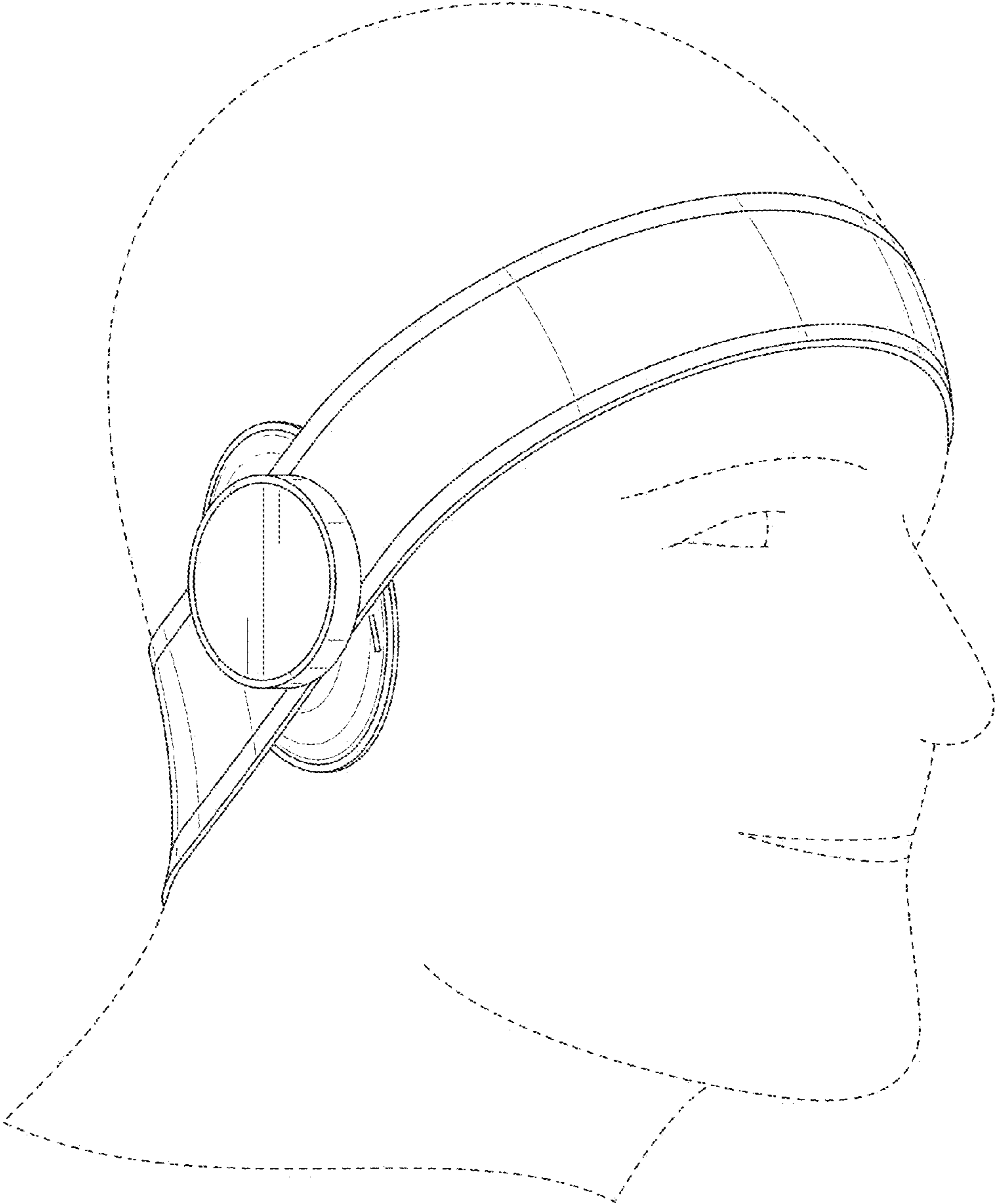


Fig. 1

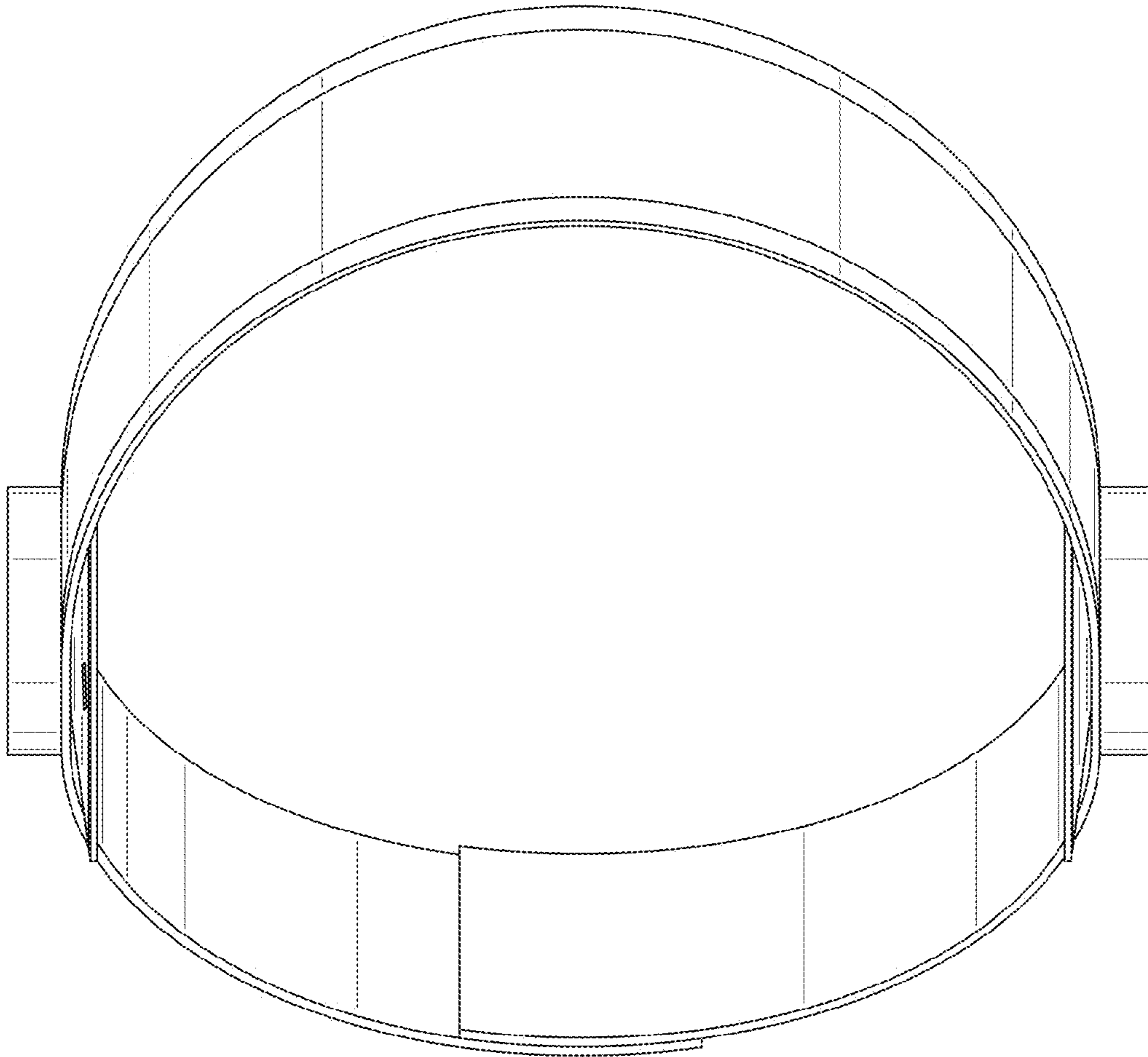


Fig. 2

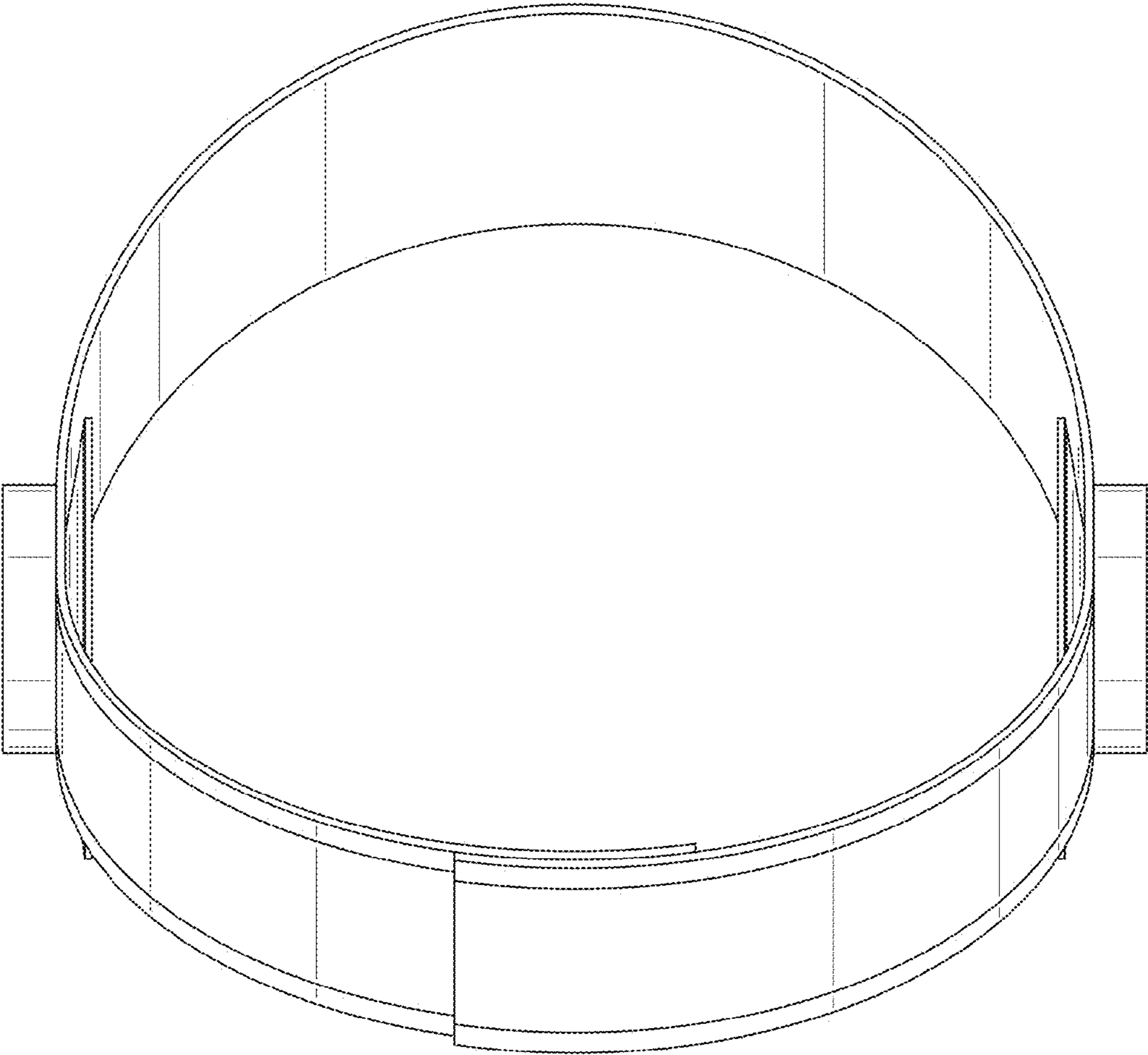


Fig. 3

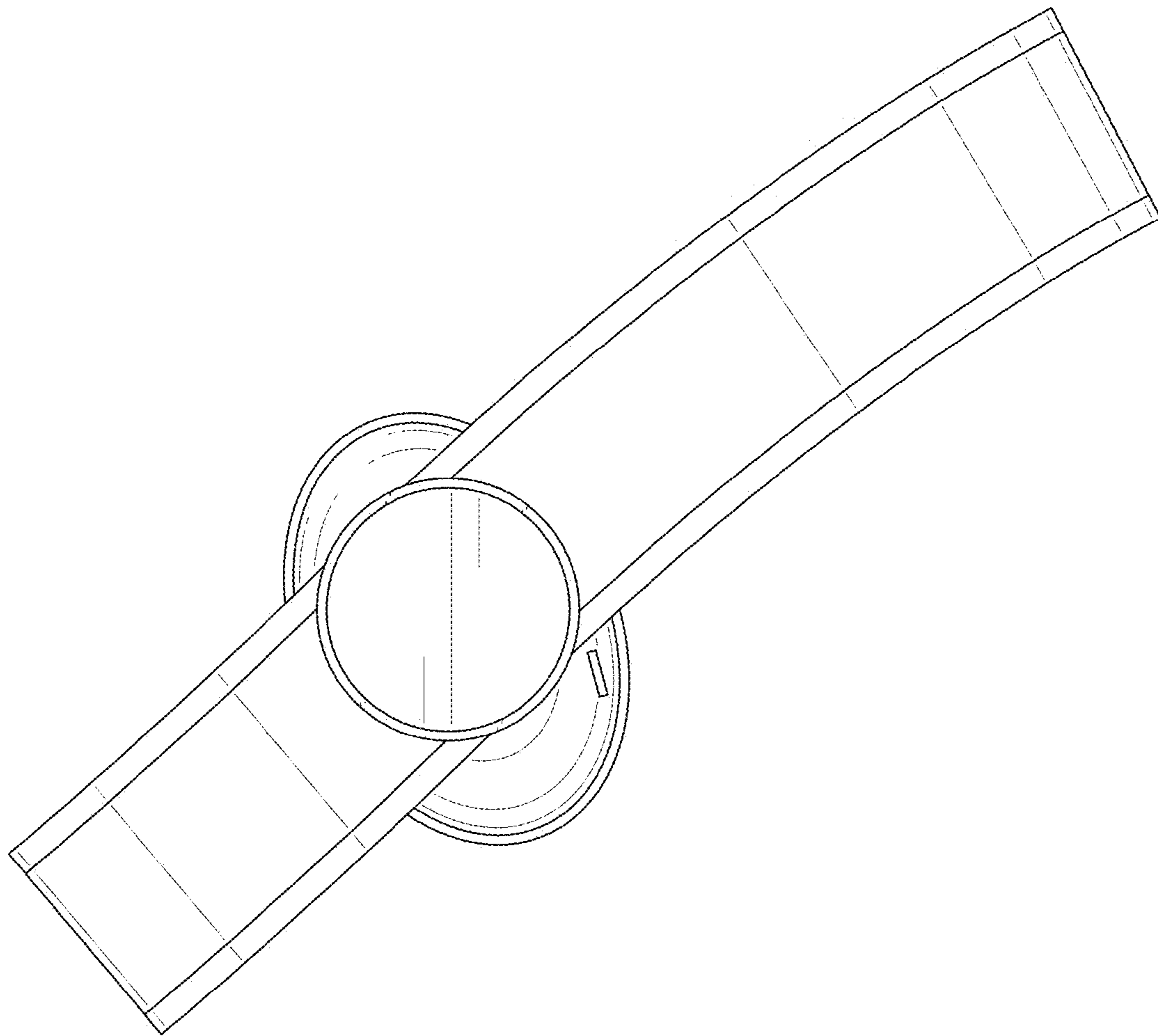


Fig. 4

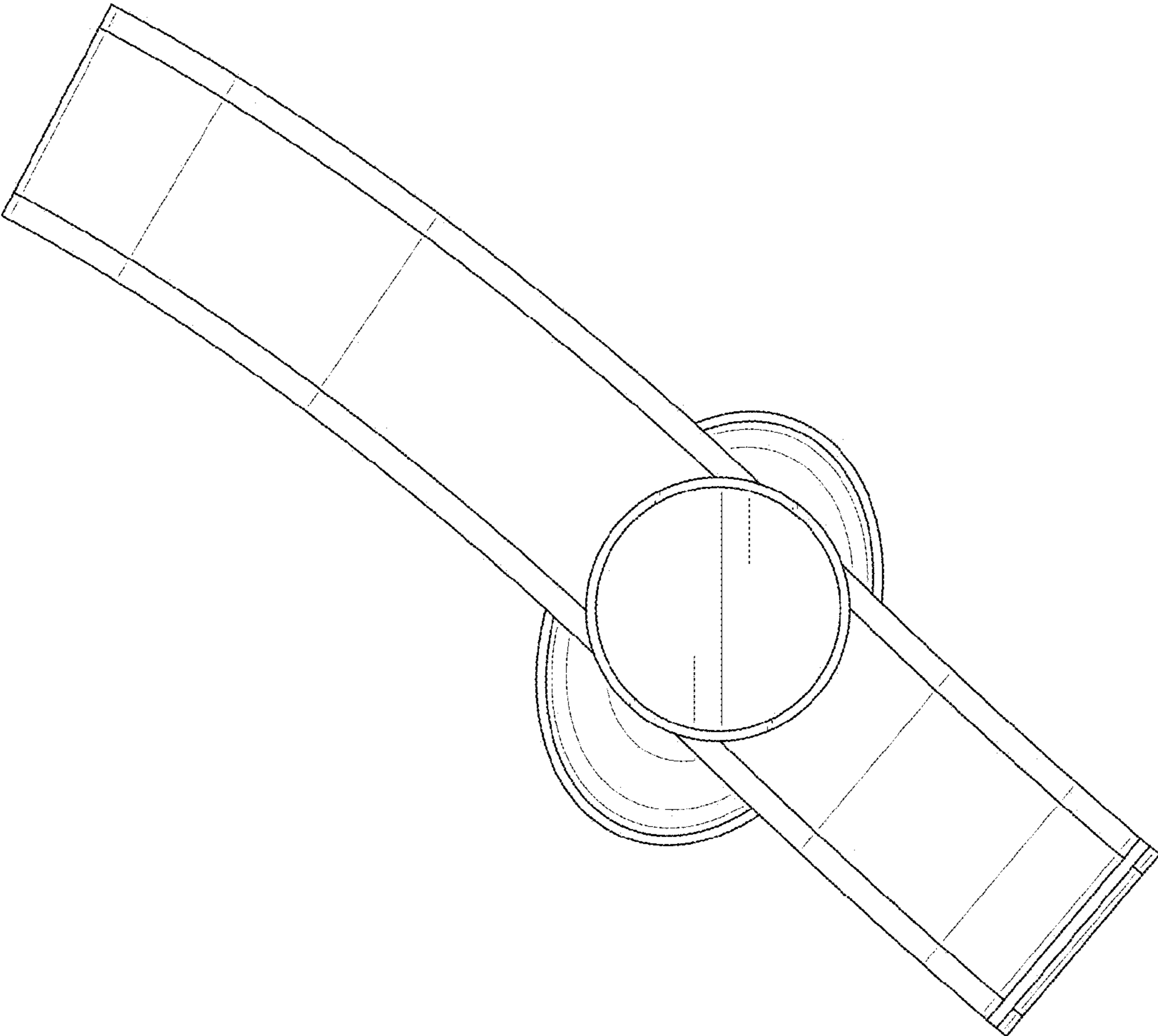


Fig. 5

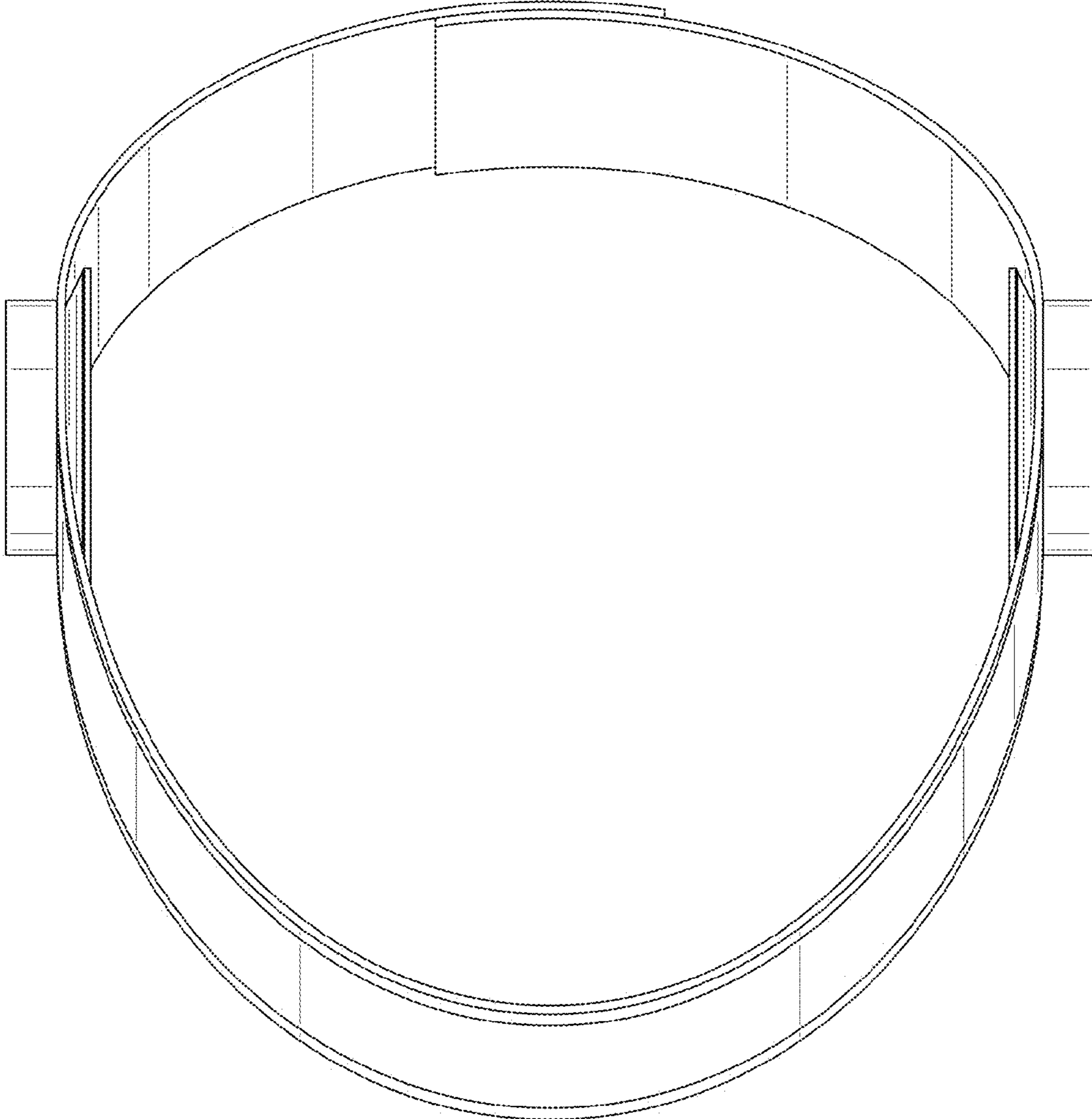


Fig. 6

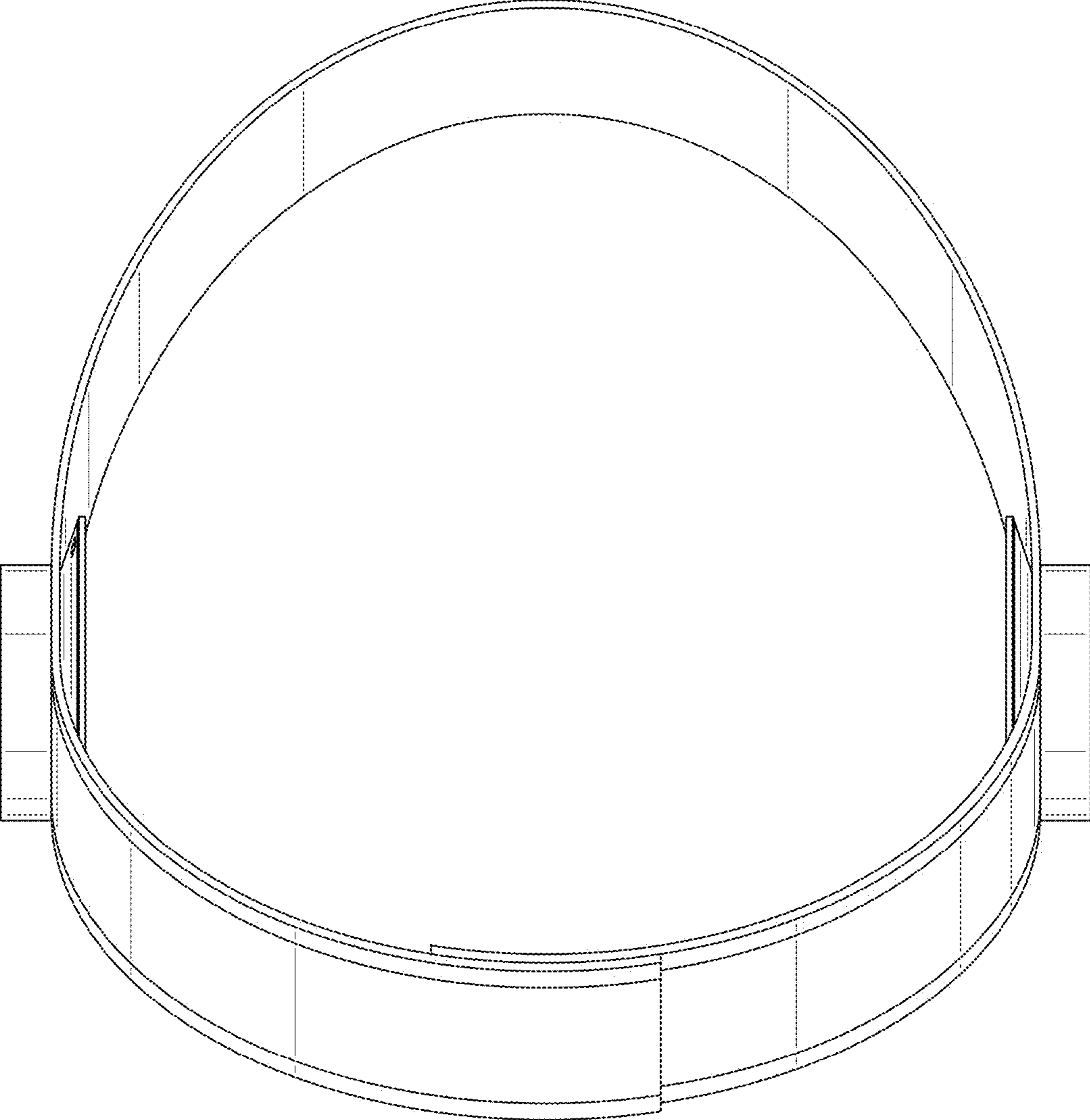


Fig. 7