



US00D747695S

(12) **United States Design Patent**  
**Breines**

(10) **Patent No.:** **US D747,695 S**  
(45) **Date of Patent:** **\*\* Jan. 19, 2016**

(54) **FM TRANSMITTER**

(71) Applicant: **Robert Breines**, Westlake Village, CA  
(US)

(72) Inventor: **Robert Breines**, Westlake Village, CA  
(US)

(\*\*) Term: **14 Years**

(21) Appl. No.: **29/512,772**

(22) Filed: **Dec. 22, 2014**

(51) **LOC (10) Cl.** ..... **14-03**

(52) **U.S. Cl.**  
USPC ..... **D14/155**

(58) **Field of Classification Search**  
USPC ..... D14/167, 154, 168, 188, 496, 156, 160,  
D14/161, 162, 163, 164, 165, 158, 159, 341,  
D14/346, 342, 345, 137, 155, 218, 225;  
D16/208; D26/38; 455/351, 350;  
D10/104.1, 106, 65; D3/207  
CPC ... H04B 1/385; H04M 1/6091; H04M 1/6066  
See application file for complete search history.

(56) **References Cited**

**U.S. PATENT DOCUMENTS**

D327,886 S \* 7/1992 Yan ..... D14/137  
D340,455 S \* 10/1993 Christian ..... D14/155

D535,279 S \* 1/2007 Krieger ..... D14/155  
D560,649 S \* 1/2008 Hsu ..... D14/155  
D585,048 S \* 1/2009 Uchimura ..... D14/155  
D598,890 S \* 8/2009 Lee ..... D14/155  
D603,834 S \* 11/2009 Lyman ..... D14/155  
D659,668 S \* 5/2012 Neumann ..... D14/155  
D682,247 S \* 5/2013 Tanaka ..... D14/155  
D682,806 S \* 5/2013 Smith ..... D14/155  
D696,223 S \* 12/2013 Will ..... D14/155  
D705,748 S \* 5/2014 He ..... D14/155  
D726,681 S \* 4/2015 Liu ..... D14/155

\* cited by examiner

*Primary Examiner* — Austin Murphy

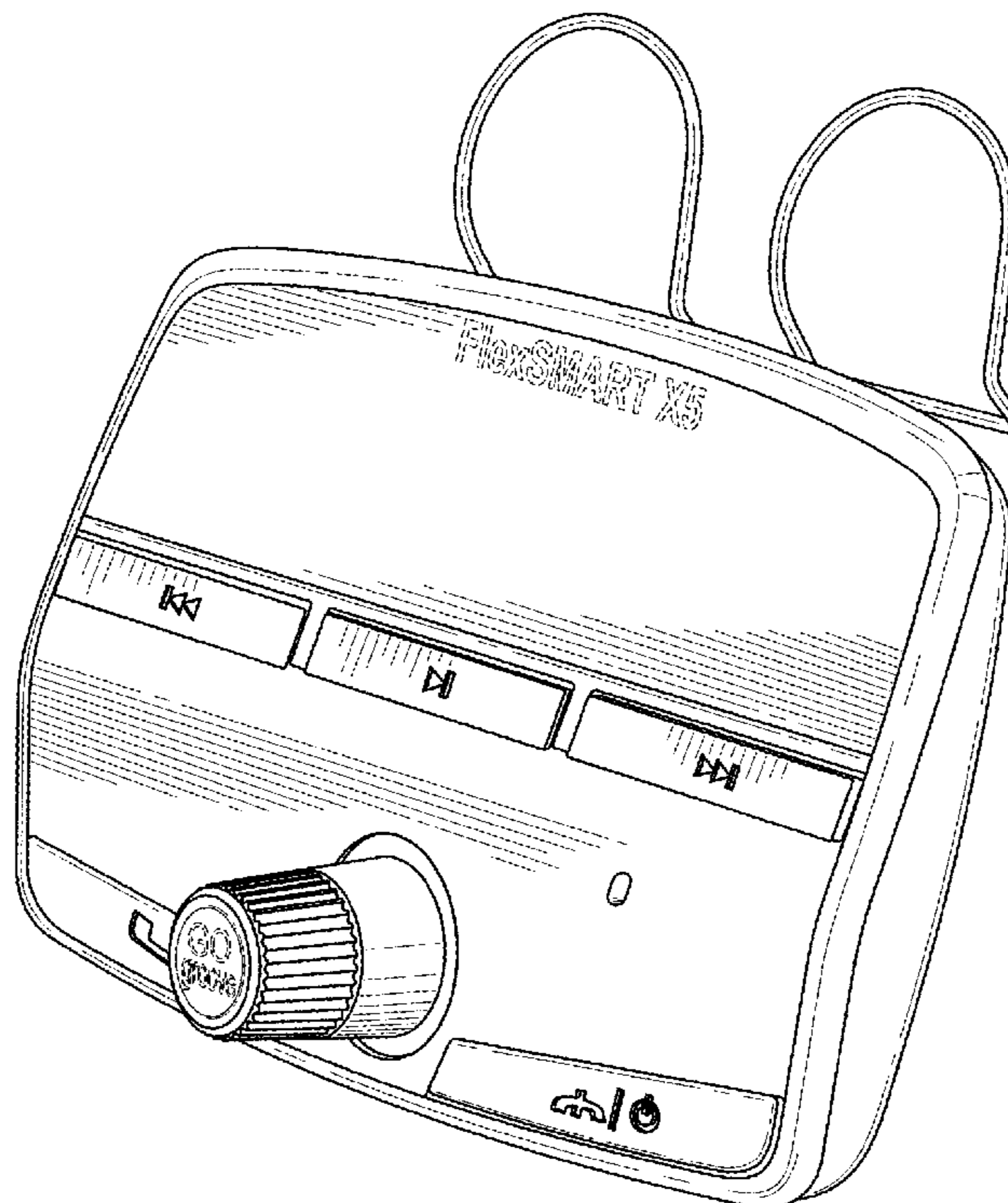
(57) **CLAIM**

I claim the ornamental design for a FM transmitter, as shown and described.

**DESCRIPTION**

FIG. 1 is a front perspective view of a FM transmitter, showing the new design;  
FIG. 2 is a front elevational view thereof;  
FIG. 3 is a rear elevational view thereof;  
FIG. 4 is a left-side elevational view thereof;  
FIG. 5 is a right-side elevational view thereof;  
FIG. 6 is a top plan view thereof; and,  
FIG. 7 is a bottom plan view thereof.

**1 Claim, 4 Drawing Sheets**



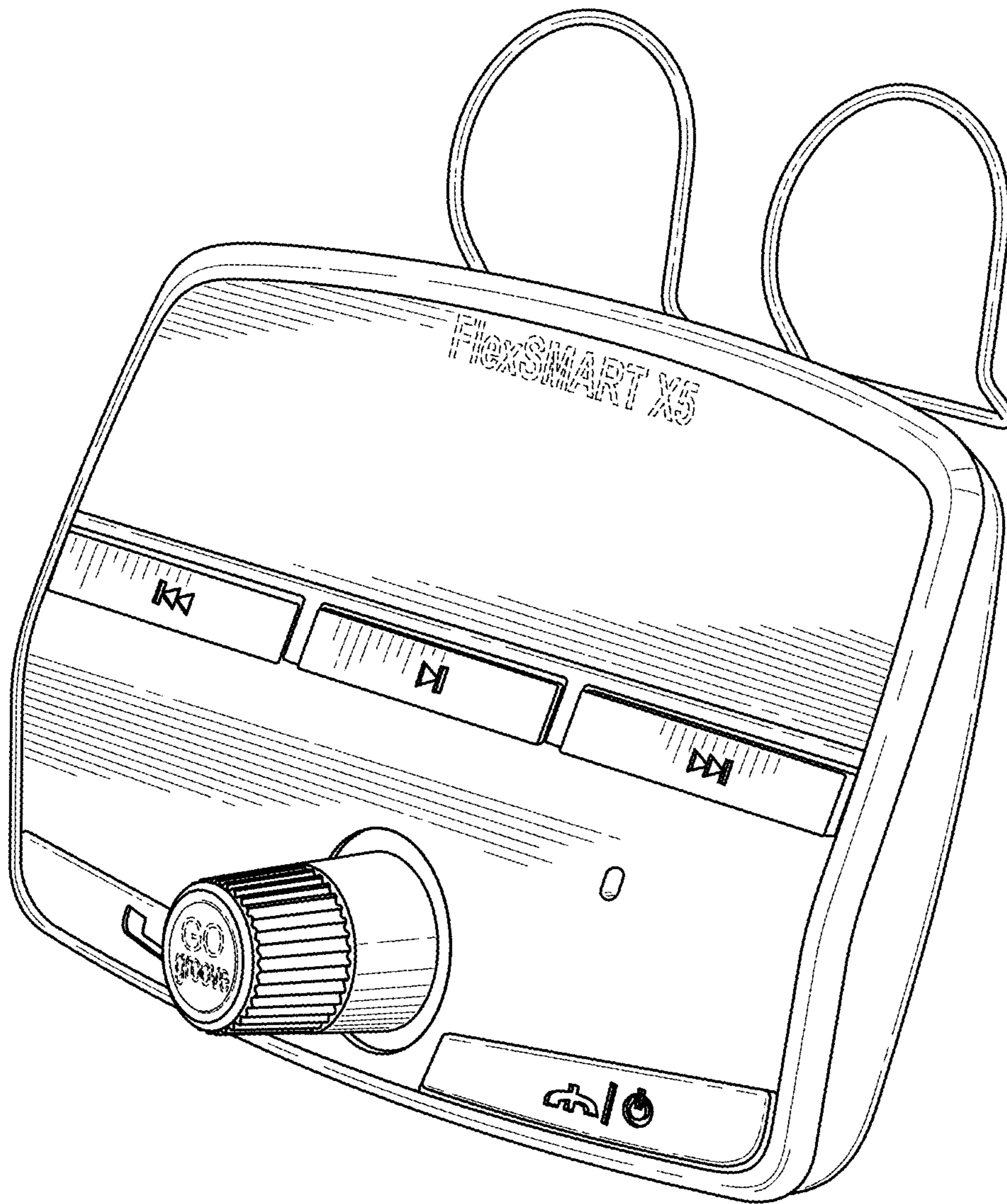


FIG. 1

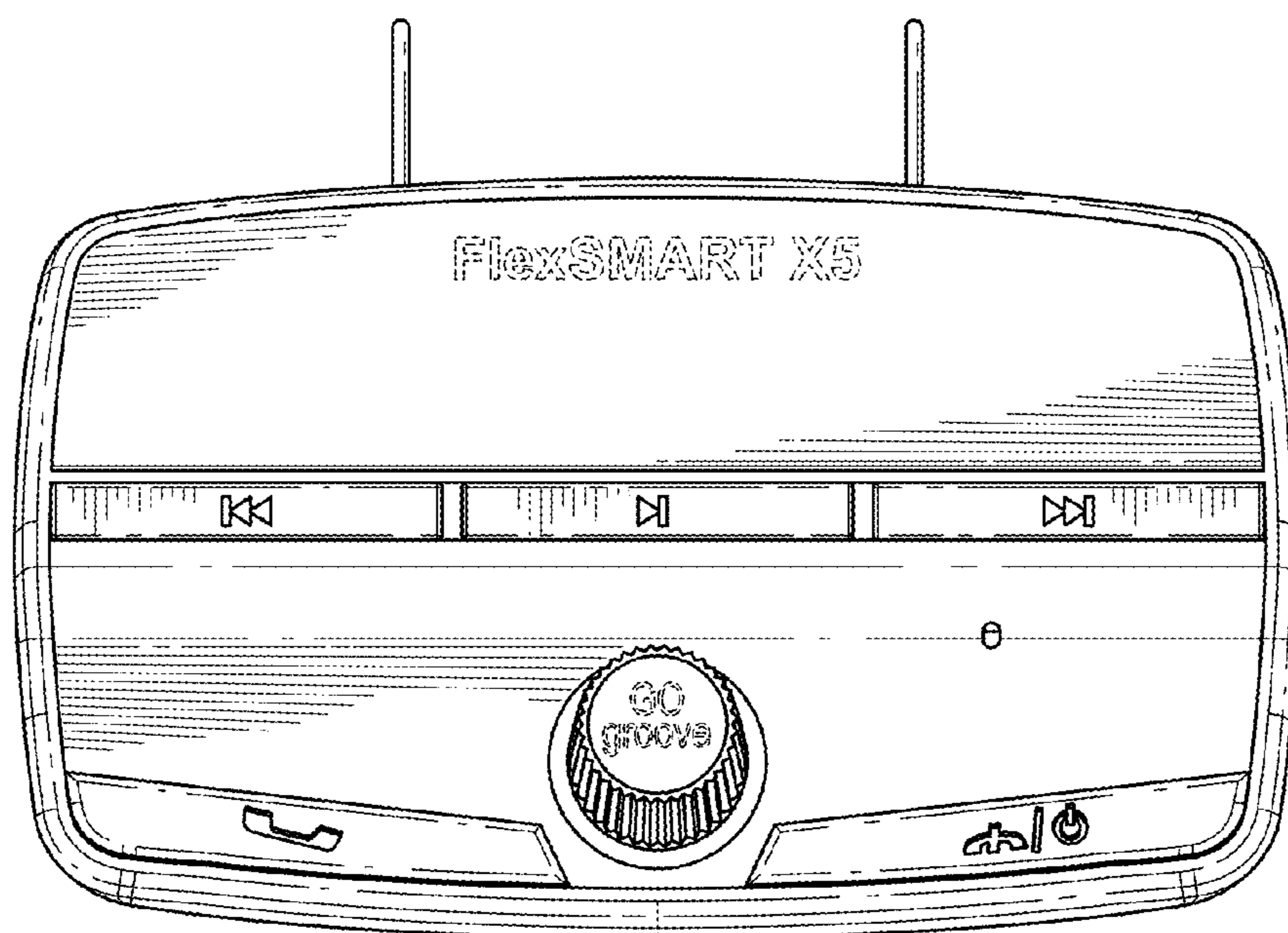


FIG. 2

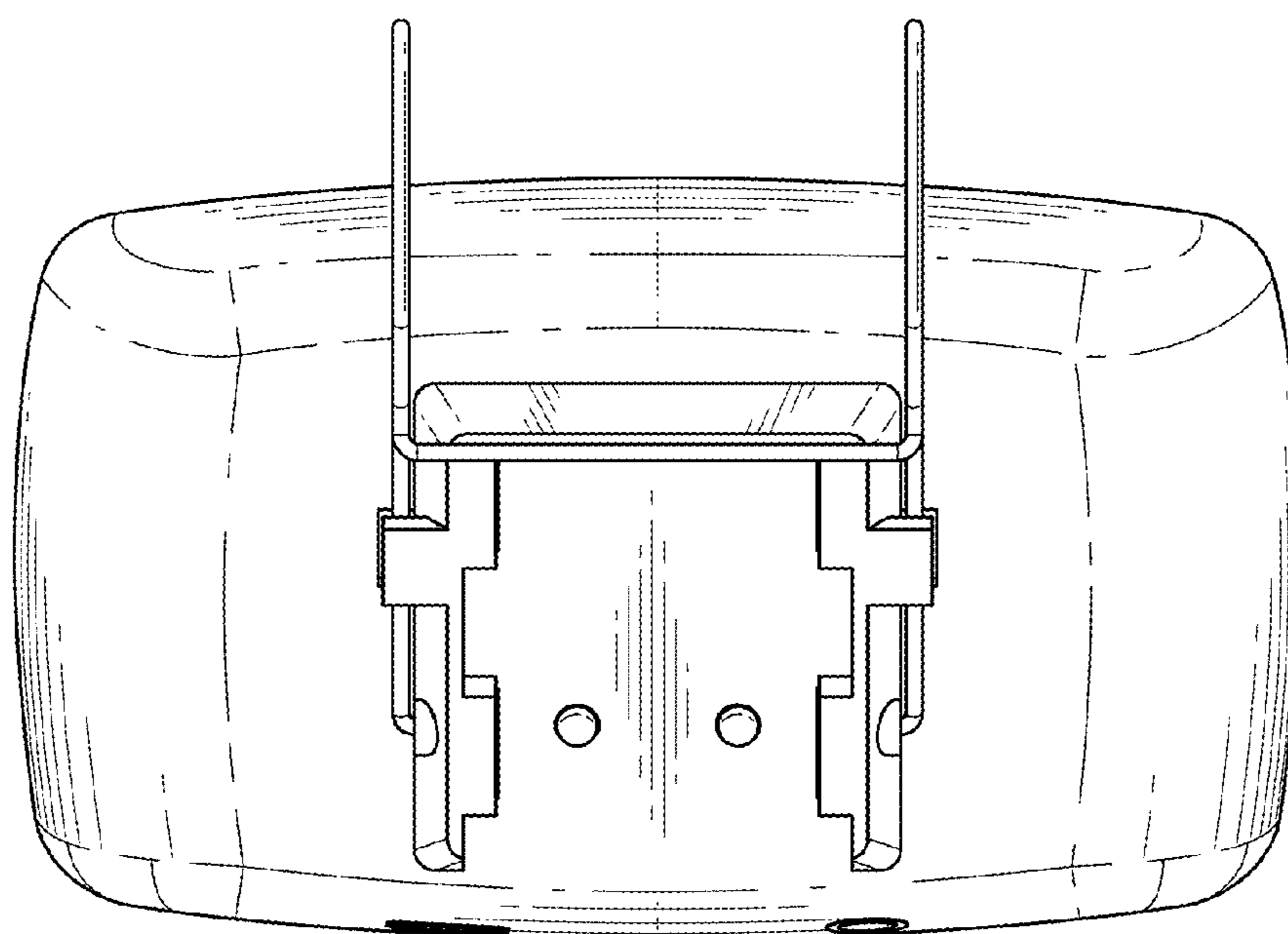


FIG. 3

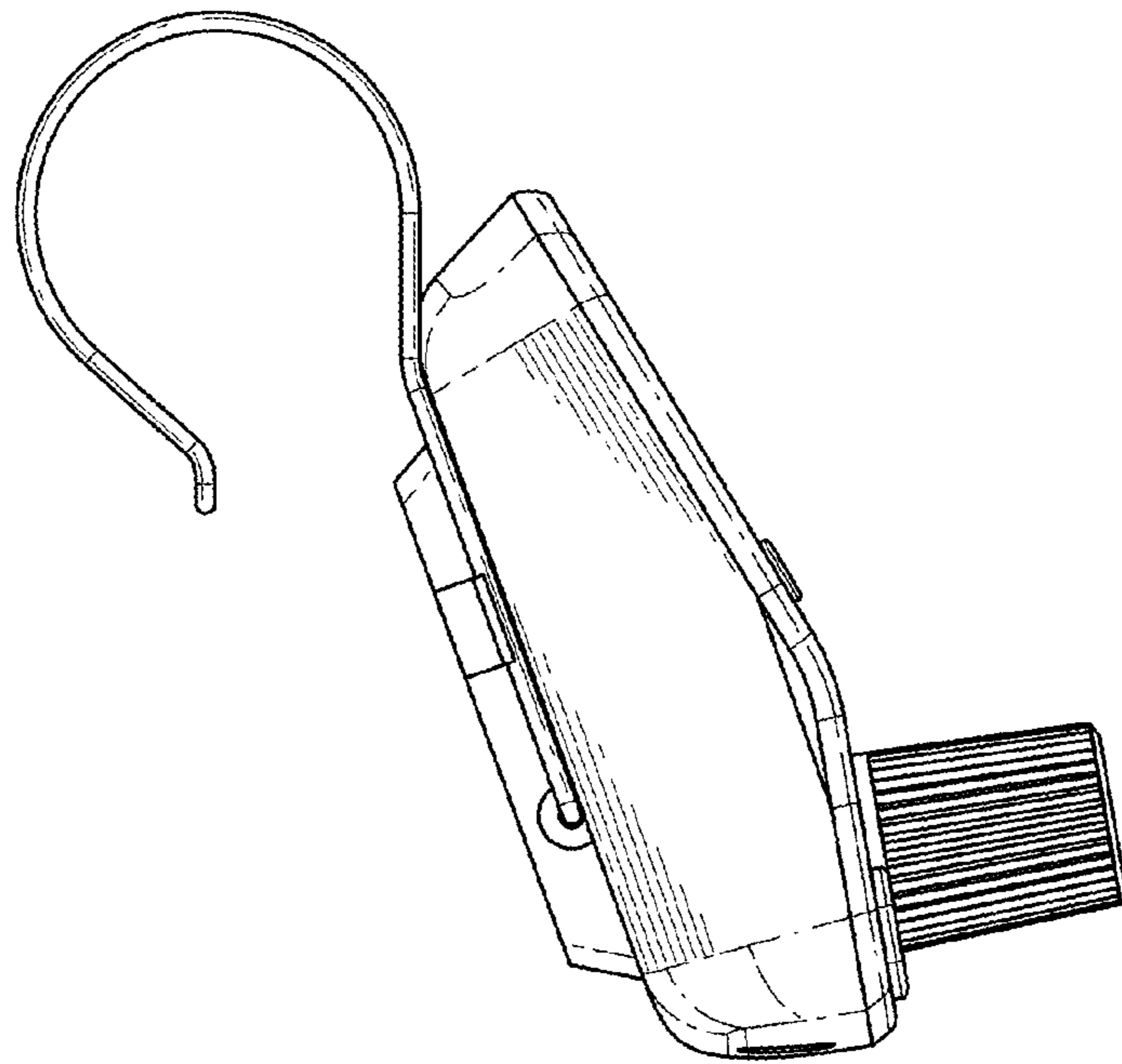


FIG. 4

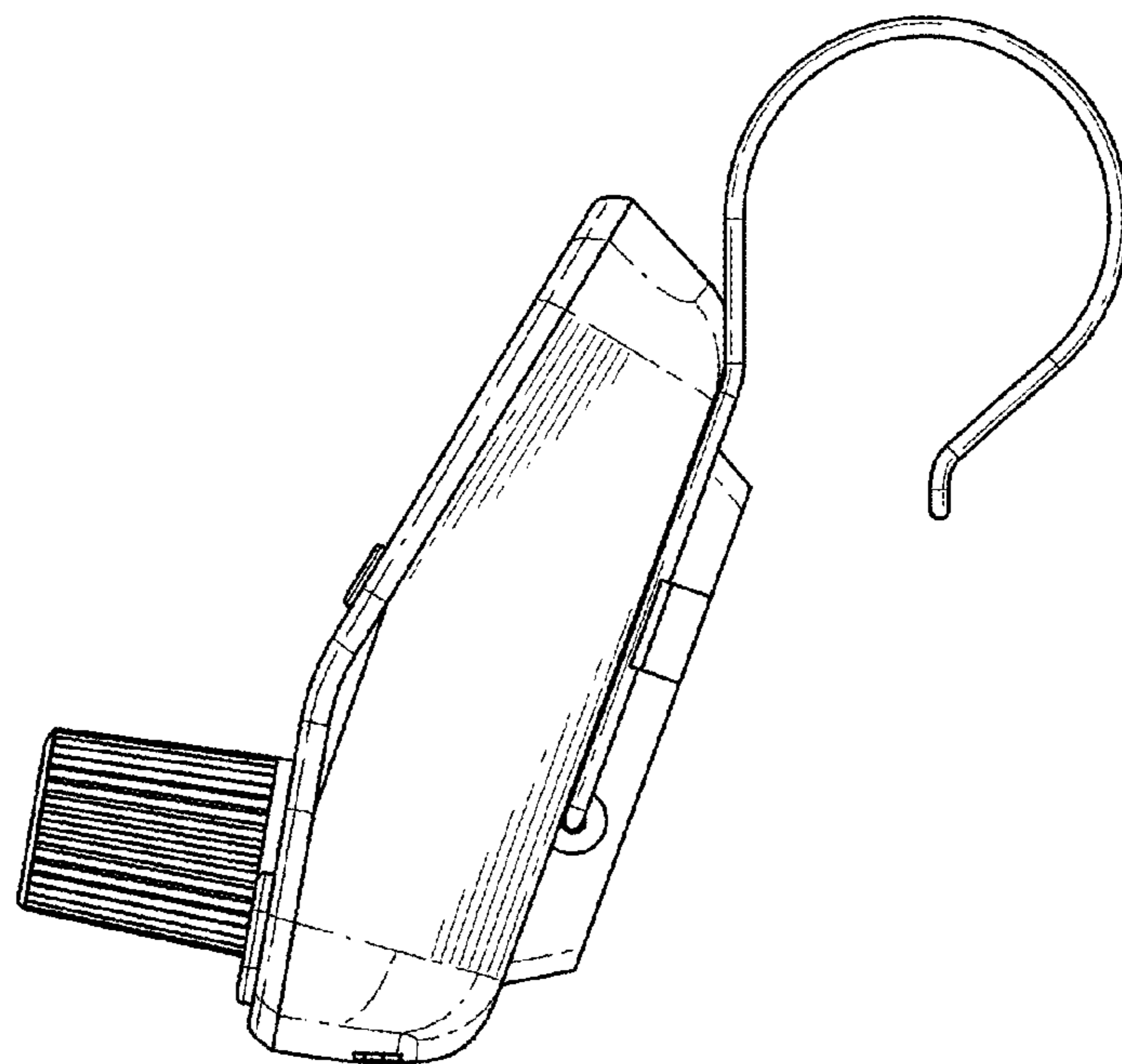


FIG. 5

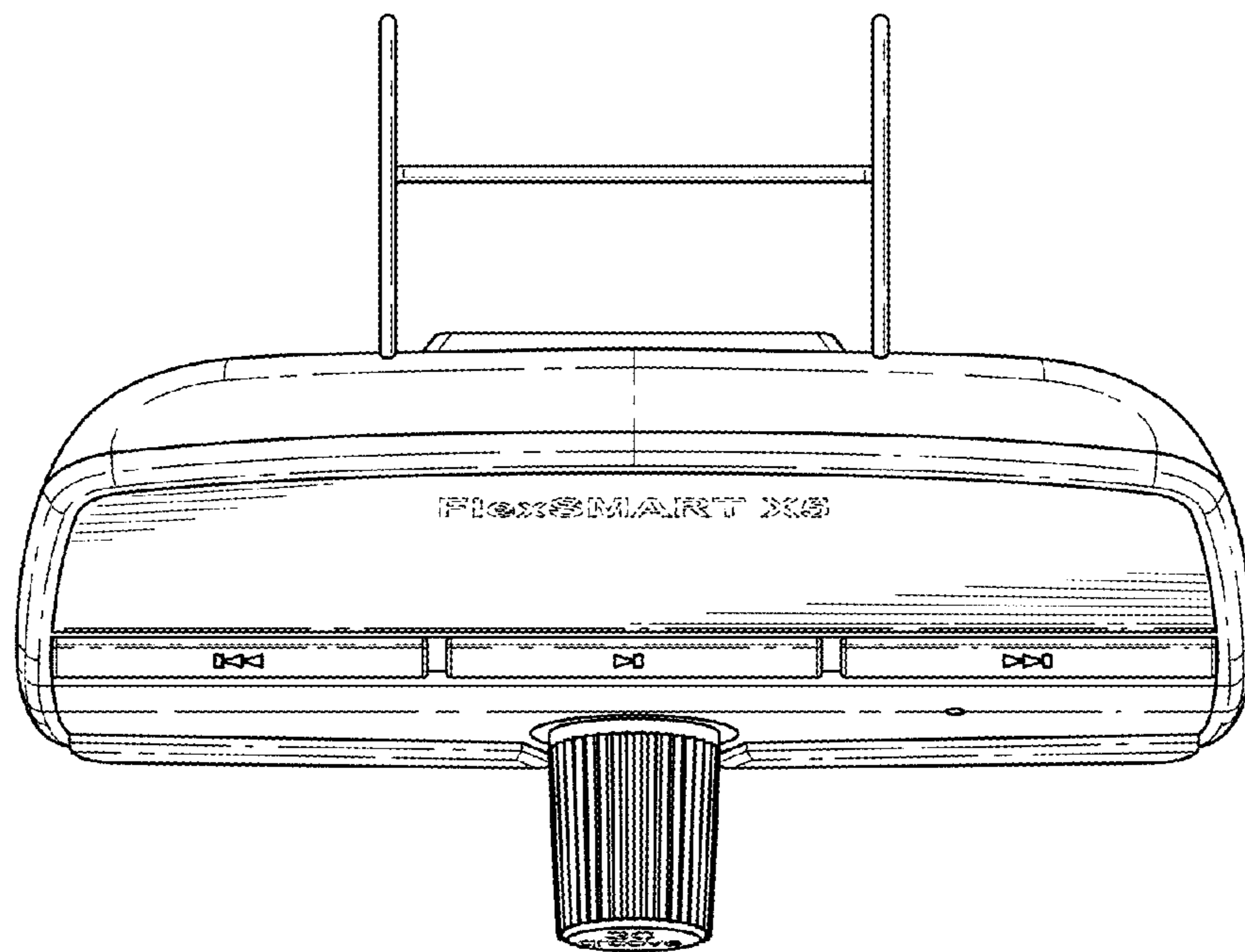


FIG. 6

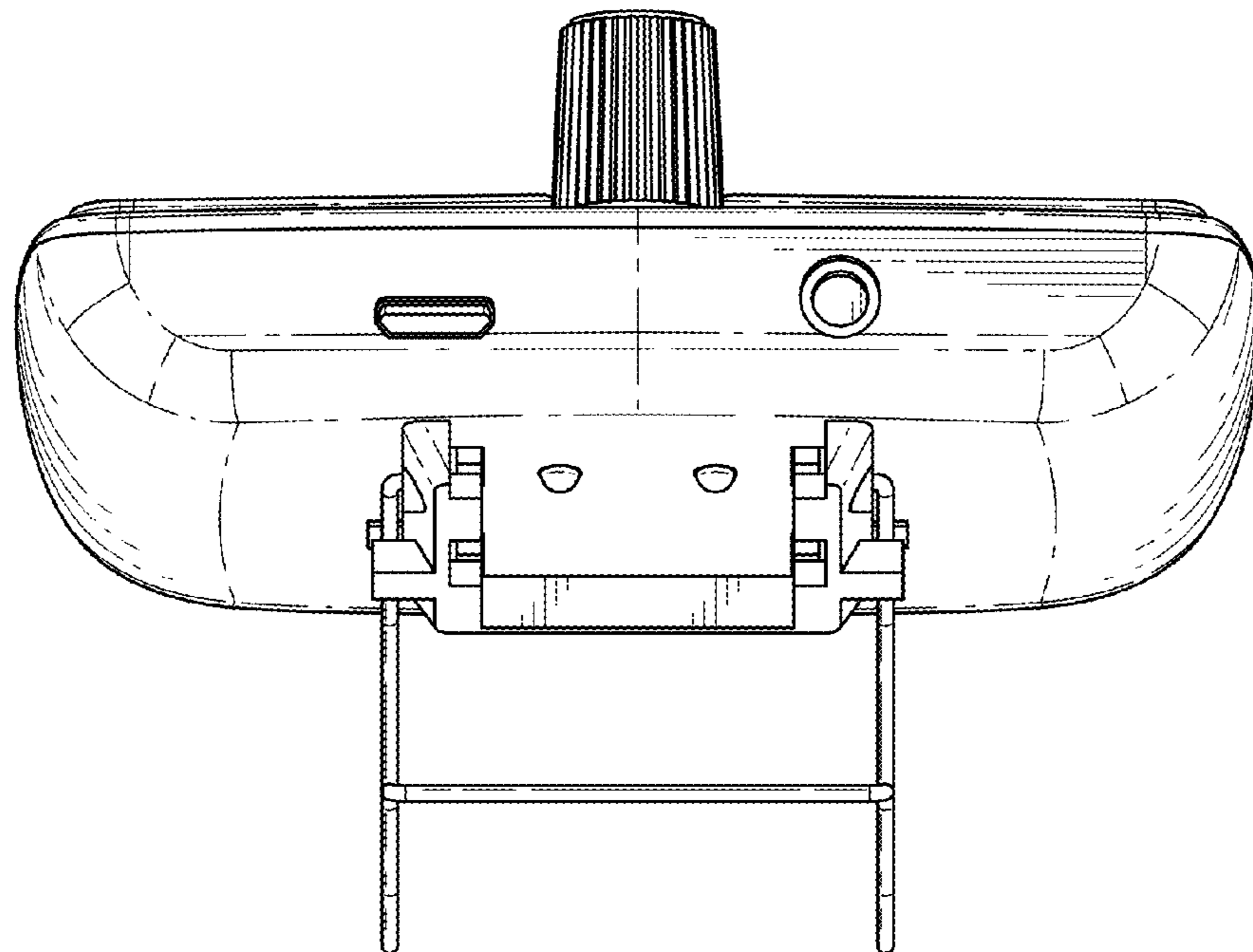


FIG. 7