



US00D747693S

(12) **United States Design Patent**
Won et al.

(10) **Patent No.:** **US D747,693 S**
(45) **Date of Patent:** **** Jan. 19, 2016**

(54) **TV RECEIVER**

(56) **References Cited**

(71) Applicant: **LG ELECTRONICS INC.**, Seoul (KR)

U.S. PATENT DOCUMENTS

(72) Inventors: **Hyojin Won**, Seoul (KR); **Jeongrok Lee**, Seoul (KR); **Hyunhee You**, Gyeonggi-do (KR); **Hyeyoung Hong**, Seoul (KR)

D661,272 S *	6/2012	Kim et al.	D14/126
D682,799 S *	5/2013	Hwang Bo et al.	D14/126
D695,700 S *	12/2013	Seong	D14/126
D701,186 S *	3/2014	Kim	D14/126
D702,659 S *	4/2014	Yoo et al.	D14/126
D703,168 S *	4/2014	Won et al.	D14/126
D708,157 S *	7/2014	Park	D14/126
D708,596 S *	7/2014	Park	D14/126
D716,244 S *	10/2014	Kim et al.	D14/126
D716,245 S *	10/2014	Kim	D14/126
D719,119 S *	12/2014	Park et al.	D14/126
D721,049 S *	1/2015	Lee	D14/126
D723,483 S *	3/2015	Lee et al.	D14/126
D723,485 S *	3/2015	Hwangbo et al.	D14/126
D723,486 S *	3/2015	Lee et al.	D14/126

(73) Assignee: **LG Electronics Inc.**, Seoul (KR)

(**) Term: **14 Years**

(21) Appl. No.: **29/477,698**

(22) Filed: **Dec. 26, 2013**

* cited by examiner

(30) **Foreign Application Priority Data**

Primary Examiner — Eric Goodman

Assistant Examiner — Clese Moore, Jr.

Jun. 26, 2013 (KR) 30-2013-0033012

(74) *Attorney, Agent, or Firm* — Morgan, Lewis & Bockius LLP

(51) **LOC (10) Cl.** **14-03**

(57) **CLAIM**

(52) **U.S. Cl.**
USPC **D14/126**

The ornamental design for a TV receiver, as shown and described.

(58) **Field of Classification Search**

DESCRIPTION

USPC D14/125–134, 239, 371, 374–377, 448, D14/450, 336, 159; D6/300; D10/15, 26; D21/329, 515, 577, 333, 331; 312/7.2; 345/104, 156, 168, 87, 173, 690; 446/484, 175; 273/148 B; 248/917–924, 465; 348/836, 838, 180, 348/184, 325, 739

FIG. 1 is a front, right side, perspective view of a TV receiver showing our new design;
FIG. 2 is a front view thereof;
FIG. 3 is a rear view thereof;
FIG. 4 is a left side view thereof;
FIG. 5 is a right side view thereof;
FIG. 6 is a top view thereof; and
FIG. 7 is a bottom view thereof.

CPC H05K 5/0004; H05K 5/0017; H05K 5/02; H05K 5/0216; G06F 1/1601; G06F 1/1643

The broken lines shown illustrate portions of the TV receiver that form no part of the claimed design.

See application file for complete search history.

1 Claim, 5 Drawing Sheets

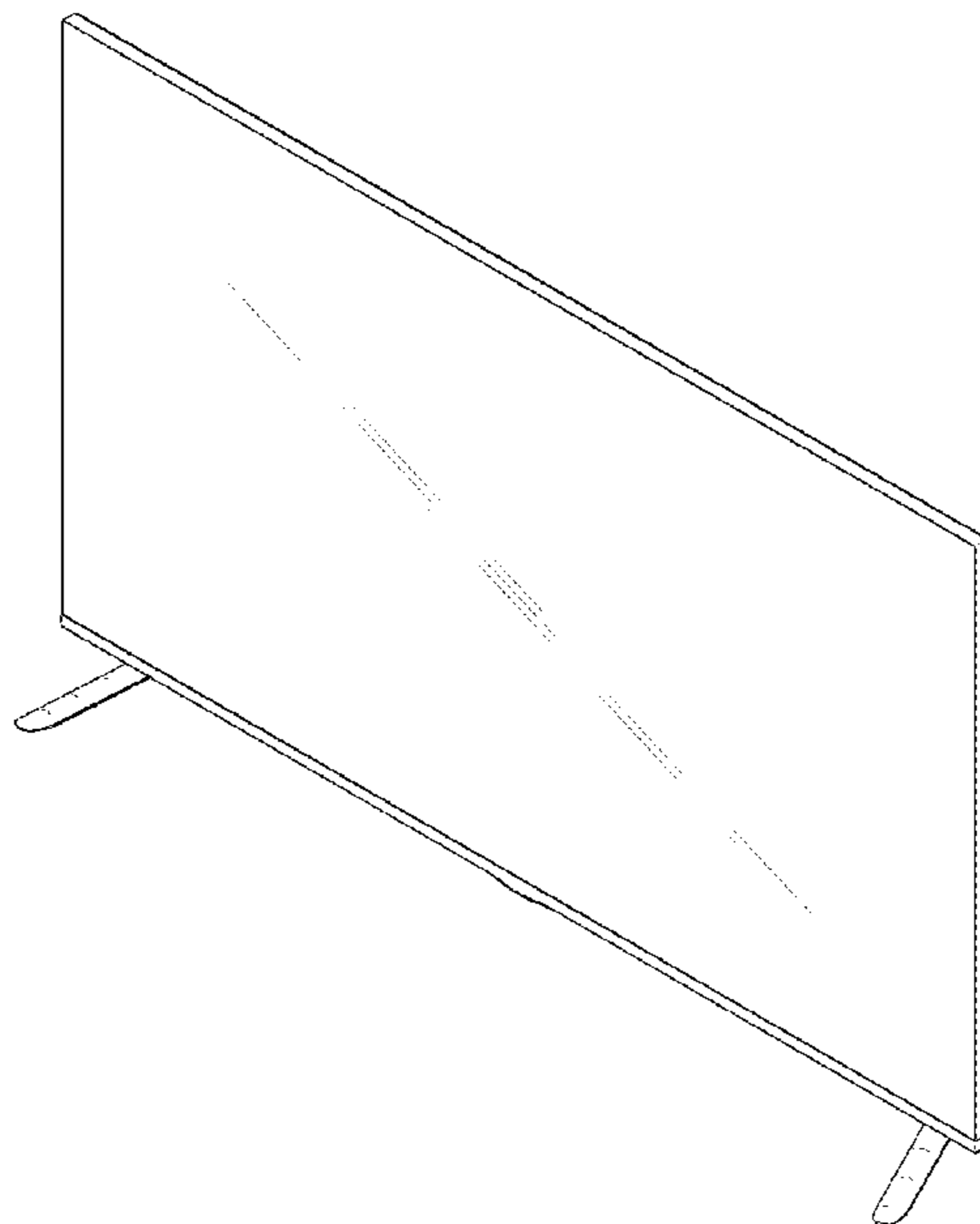


FIG. 1

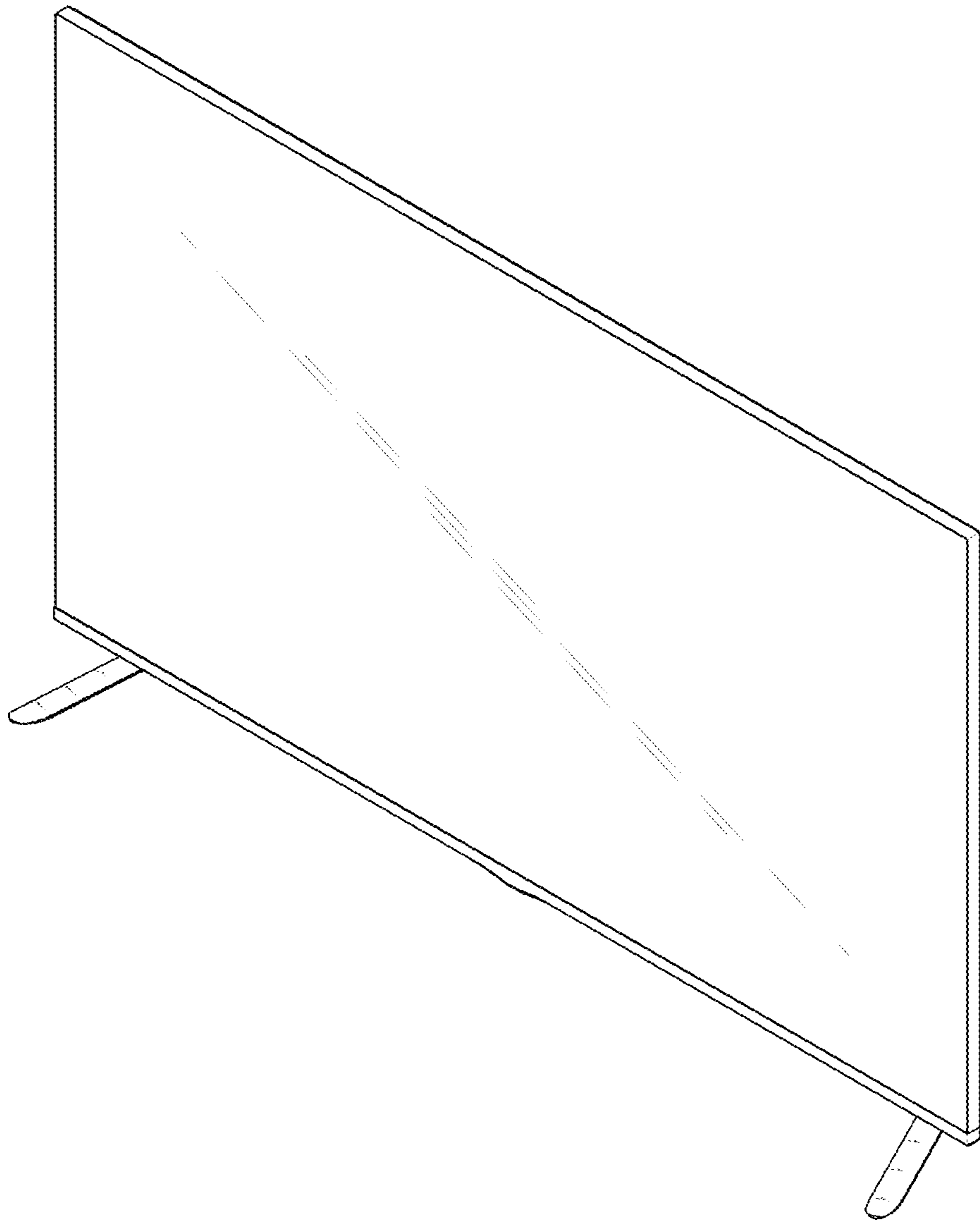


FIG. 2

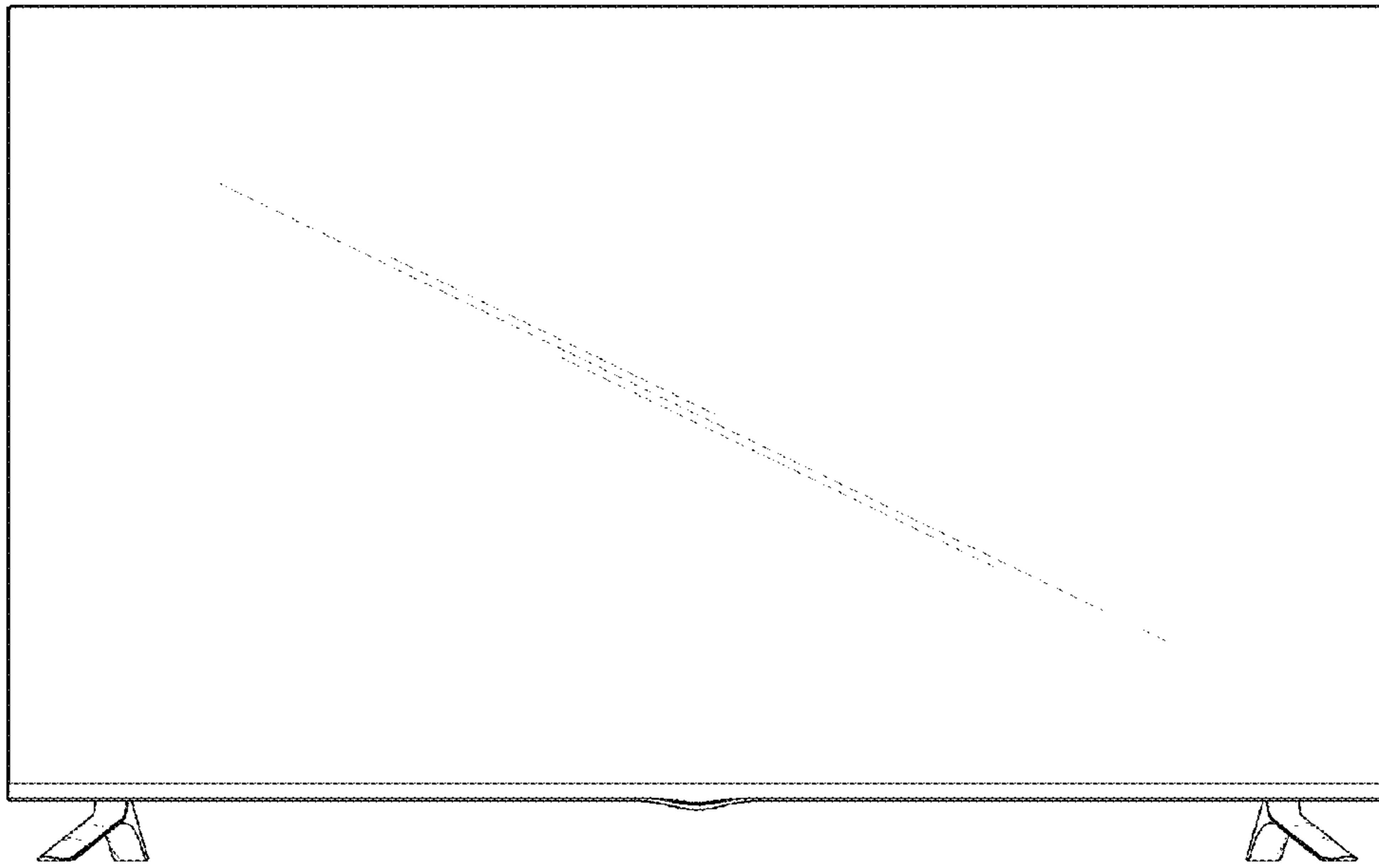


FIG. 3

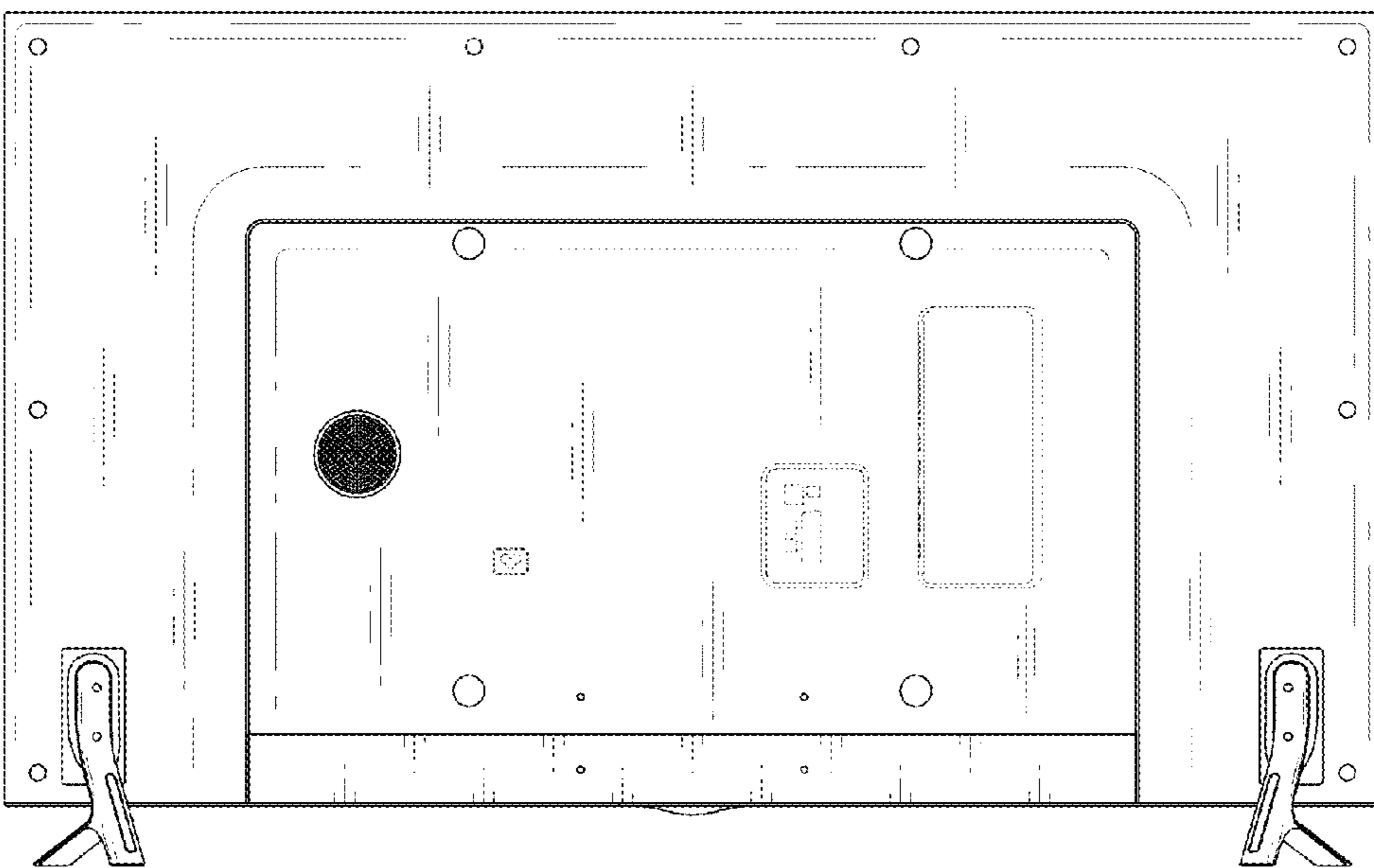


FIG. 4

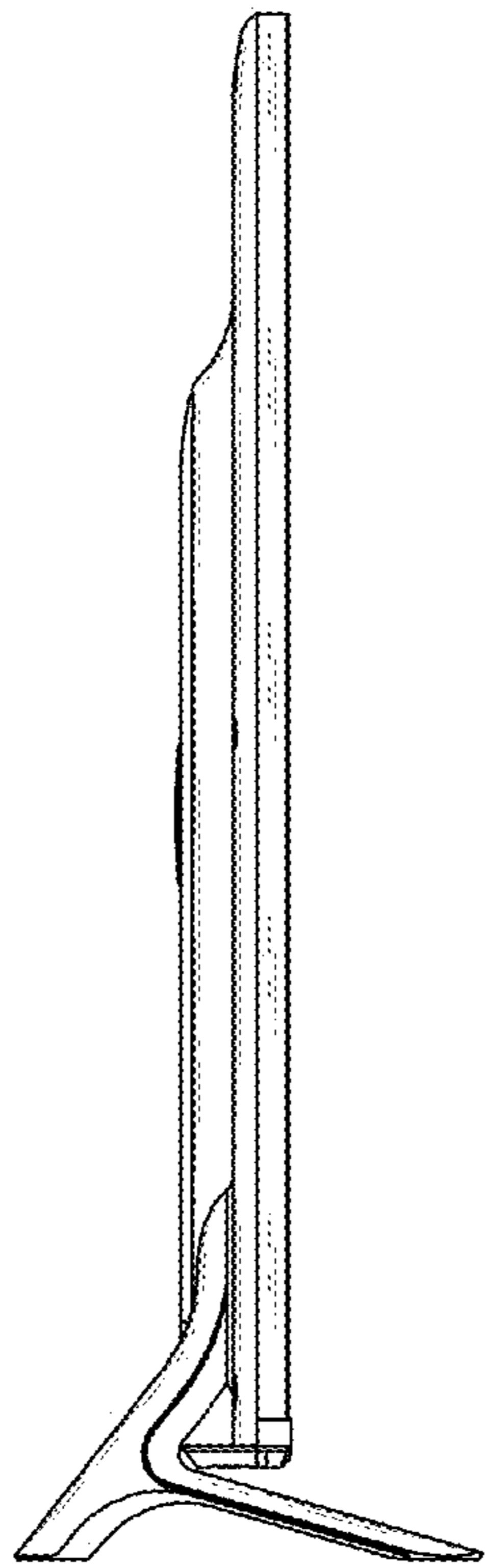


FIG. 5

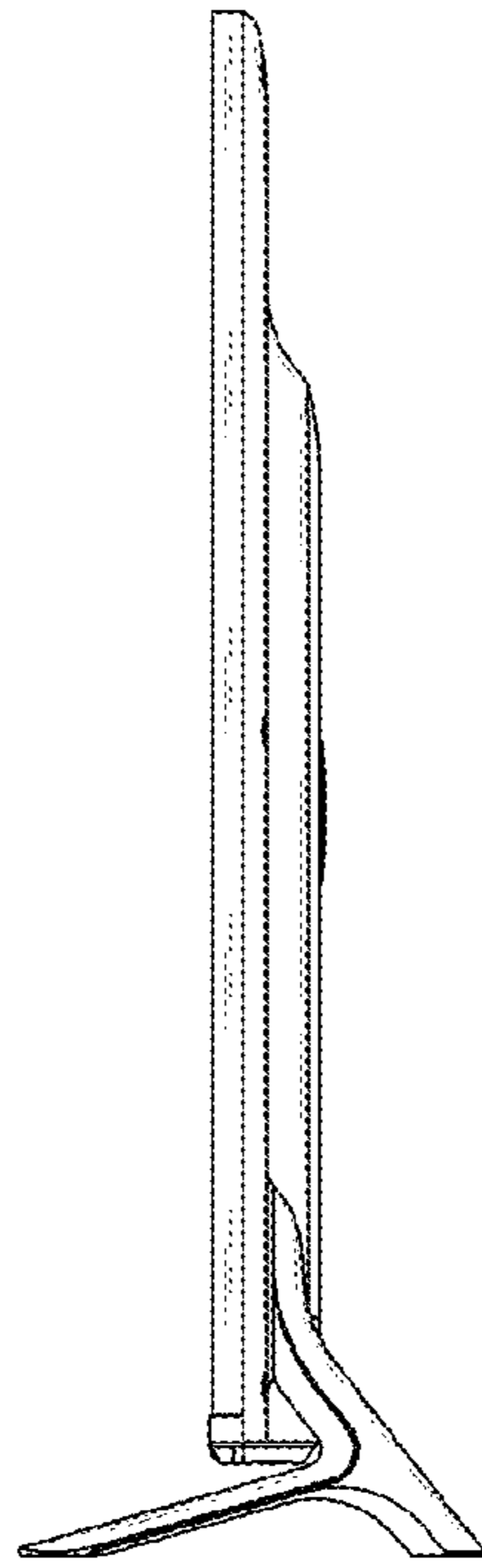


FIG. 6

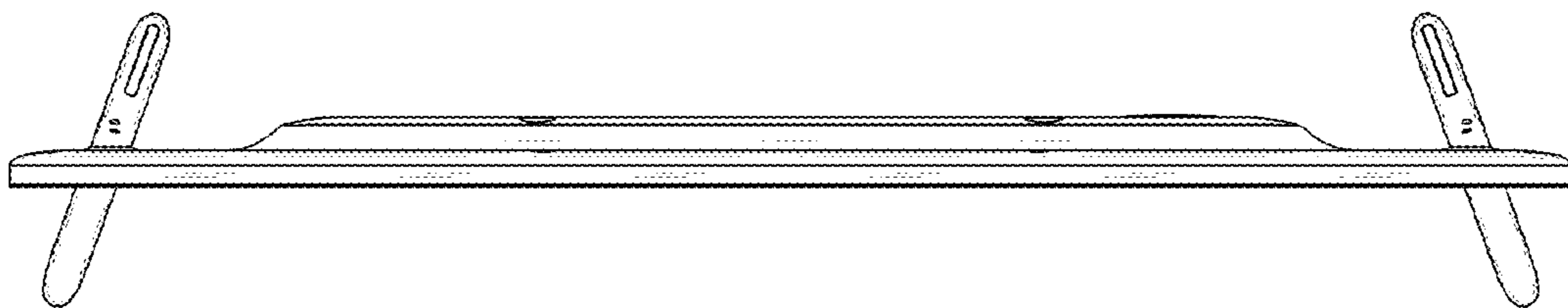


FIG. 7

