



US00D747692S

(12) **United States Design Patent**
Katagiyama et al.

(10) **Patent No.:** **US D747,692 S**
(45) **Date of Patent:** **** Jan. 19, 2016**

(54) **OPTICAL CONNECTOR**

(71) Applicant: **Japan Aviation Electronics Industry, Limited**, Tokyo (JP)

(72) Inventors: **Naoki Katagiyama**, Tokyo (JP); **Yuichi Koreeda**, Tokyo (JP)

(73) Assignee: **Japan Aviation Electronics Industry, Limited**, Tokyo (JP)

(**) Term: **14 Years**

(21) Appl. No.: **29/501,415**

(22) Filed: **Sep. 4, 2014**

(30) **Foreign Application Priority Data**

Mar. 20, 2014 (JP) 2014-005932

(51) **LOC (10) Cl.** **13-03**

(52) **U.S. Cl.**
USPC **D13/154**

(58) **Field of Classification Search**
USPC D13/110, 118, 120, 123, 154, 156, 184, D13/199
See application file for complete search history.

(56) **References Cited**

U.S. PATENT DOCUMENTS

D361,313 S * 8/1995 Sai D13/146
D601,504 S * 10/2009 Rupp D13/147

D683,701 S * 6/2013 Svelnis D13/133
2009/0305542 A1 * 12/2009 Masuzaki H01R 13/625
439/335
2011/0158586 A1 * 6/2011 Katagiyama G02B 6/3825
385/55

FOREIGN PATENT DOCUMENTS

JP D1395282 S 8/2010
JP D1490816 S 2/2014

* cited by examiner

Primary Examiner — Daniel Bui

(74) *Attorney, Agent, or Firm* — Cermak Nakajima & McGowan LLP; Tomoko Nakajima

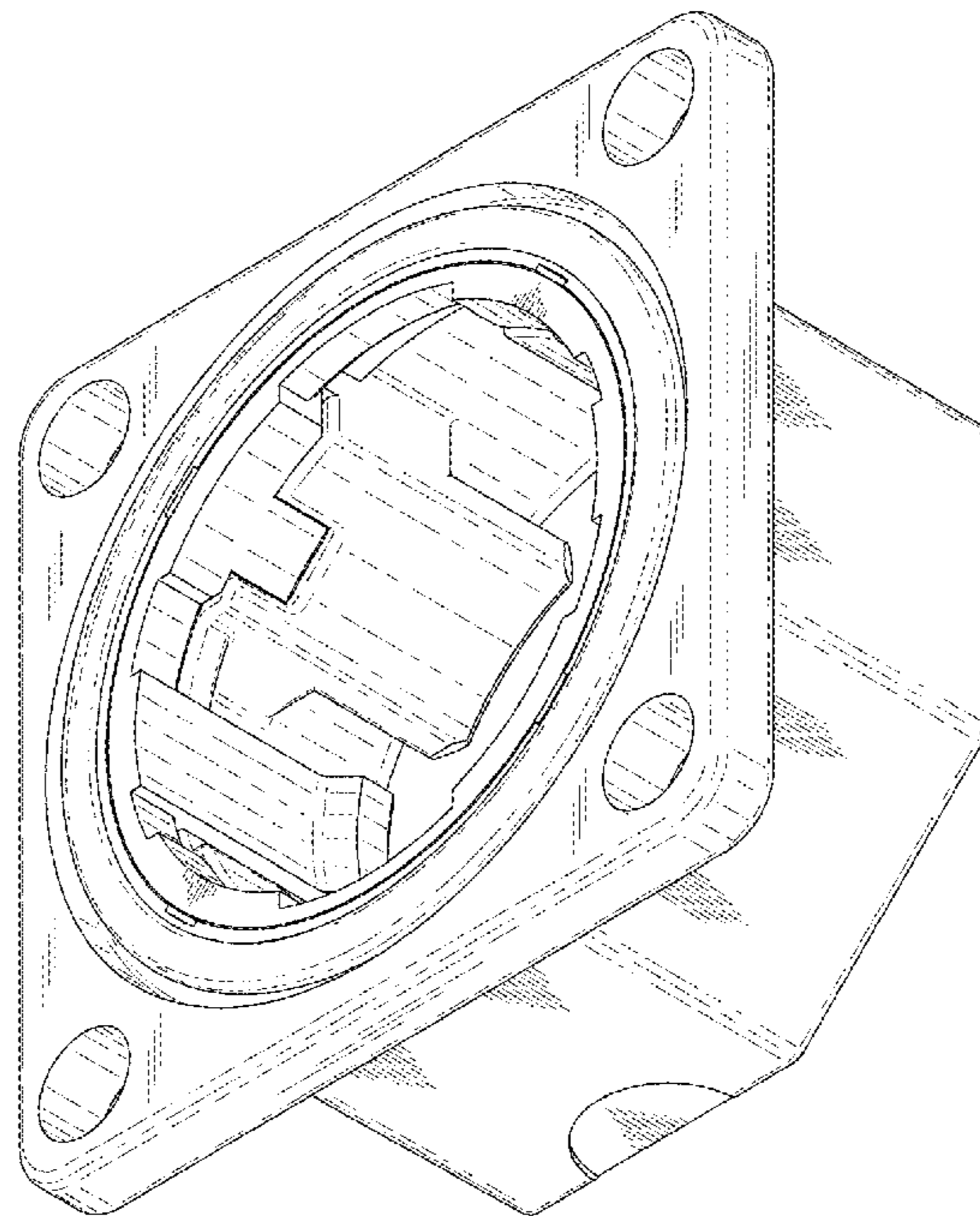
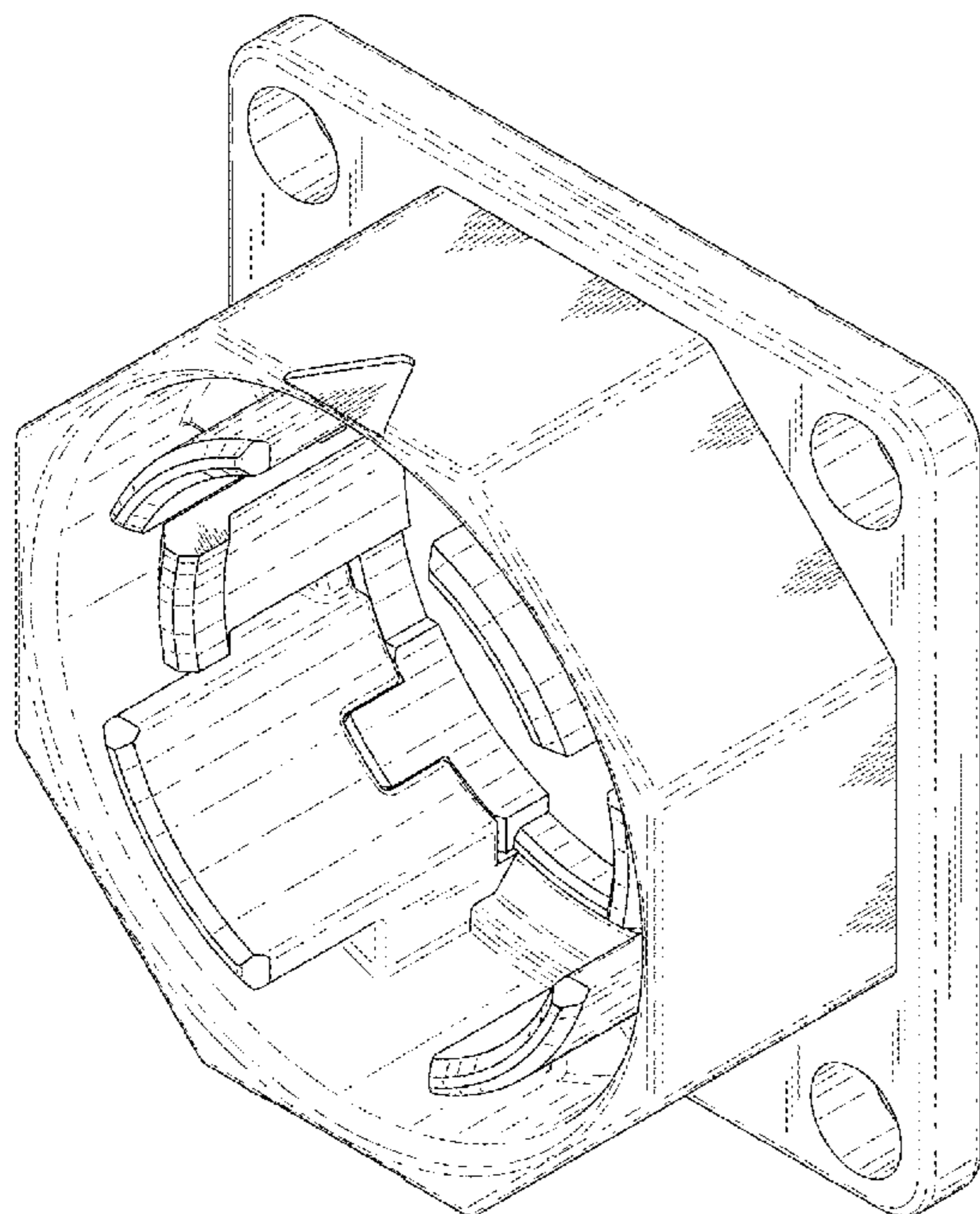
(57) **CLAIM**

The ornamental design for an optical connector, as shown.

DESCRIPTION

FIG. 1 is a front elevational view of an optical connector showing our new design;
FIG. 2 is a top plan view thereof;
FIG. 3 is a right side elevational view thereof;
FIG. 4 is a left side elevational view thereof;
FIG. 5 is a rear elevational view thereof; and
FIG. 6 is a bottom plan view thereof;
FIG. 7 is a front and top perspective view thereof; and,
FIG. 8 is a rear and bottom perspective view thereof.

1 Claim, 8 Drawing Sheets



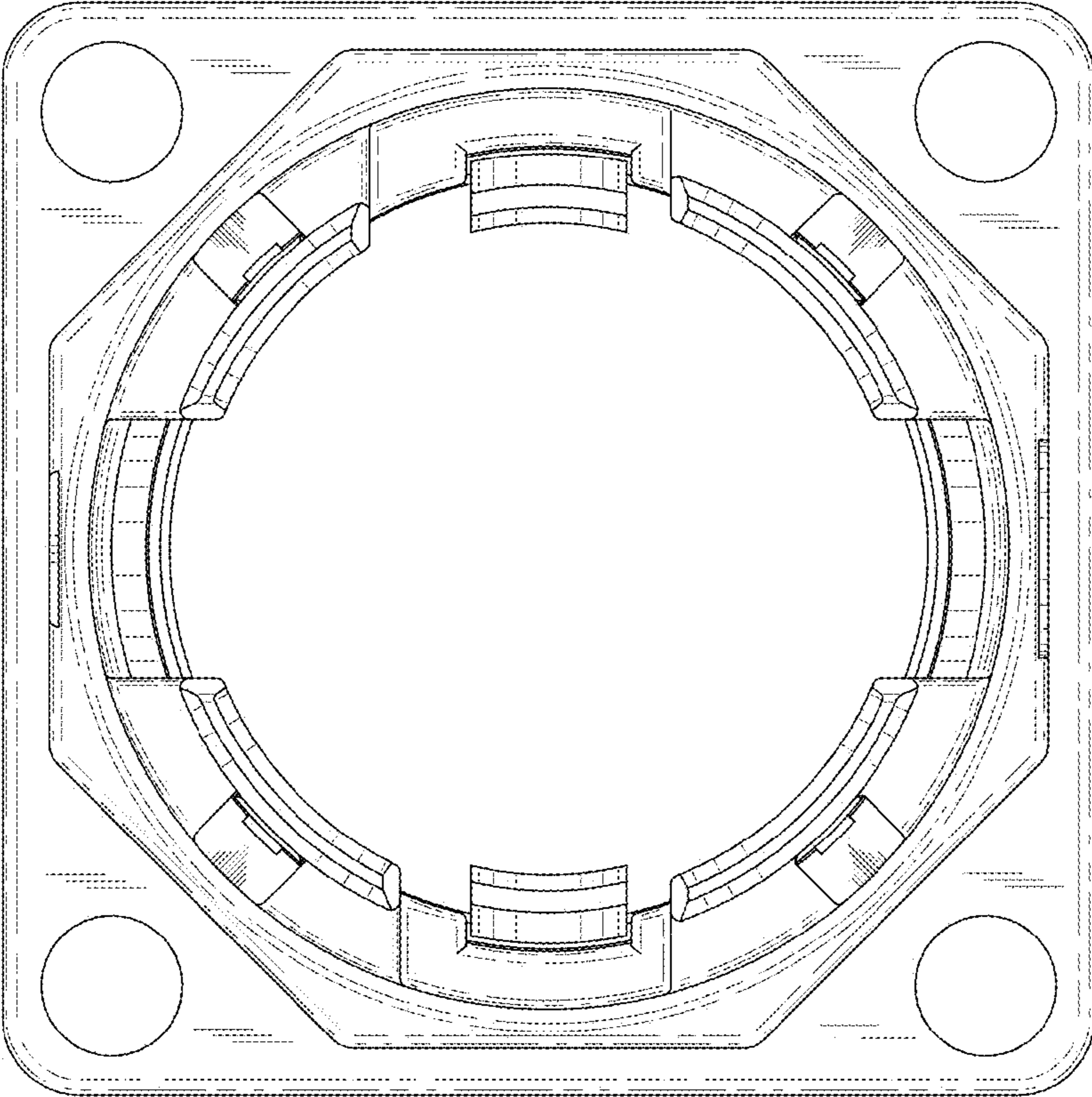


FIG.1

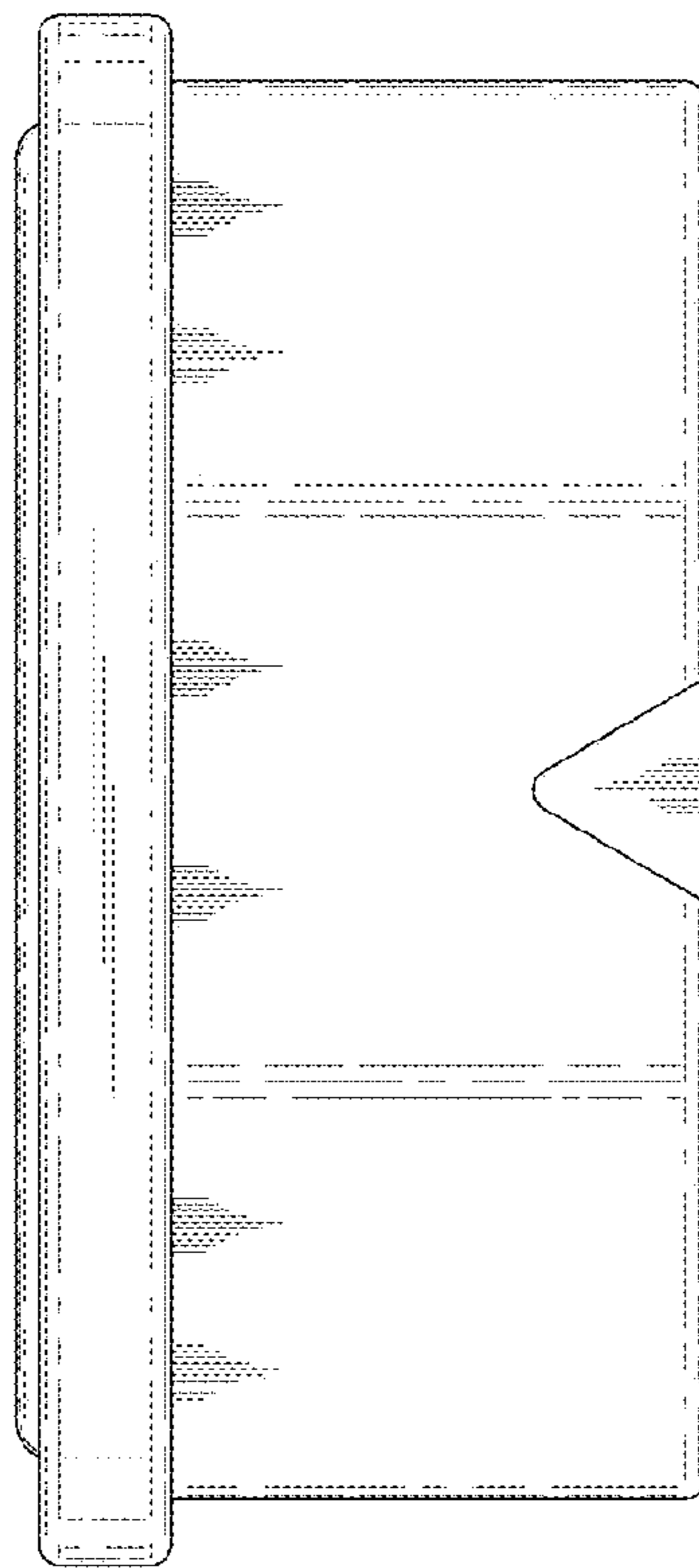


FIG.2

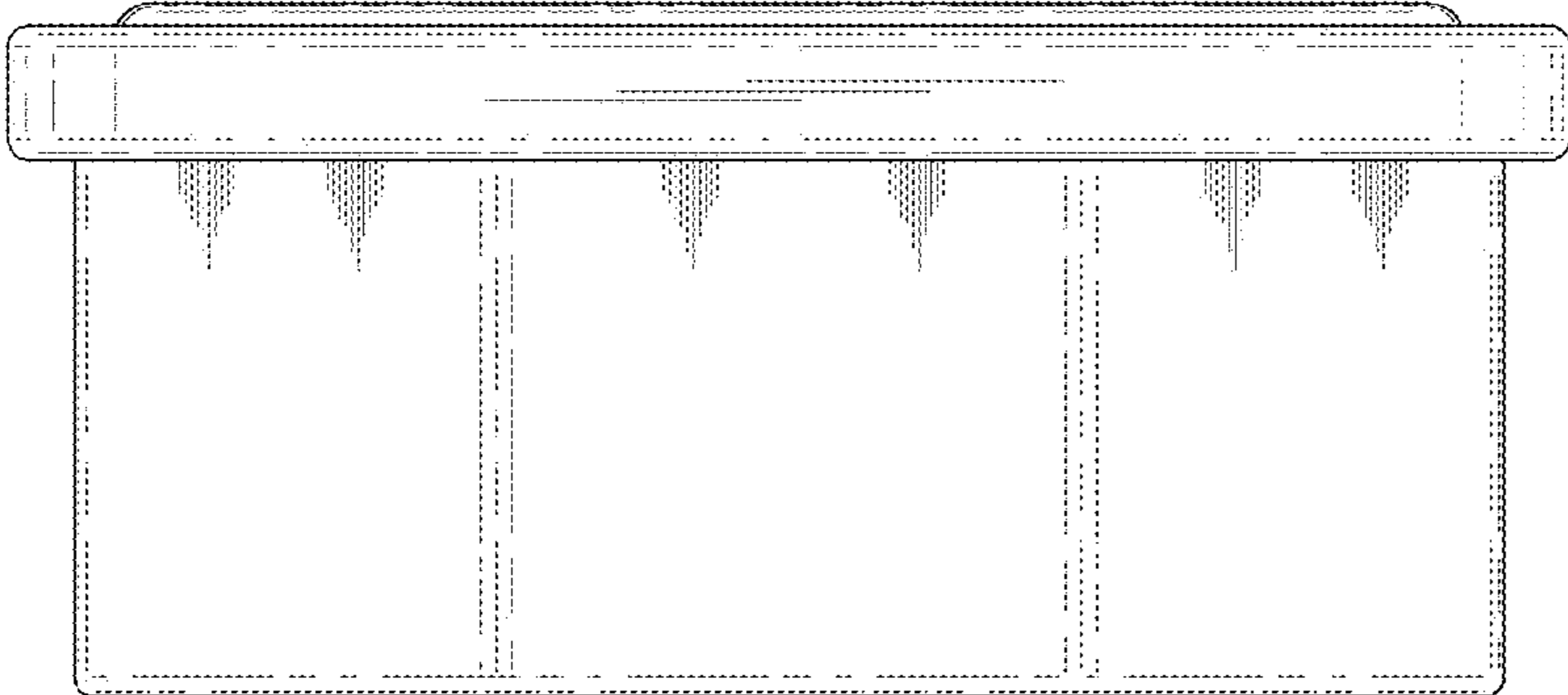


FIG. 3

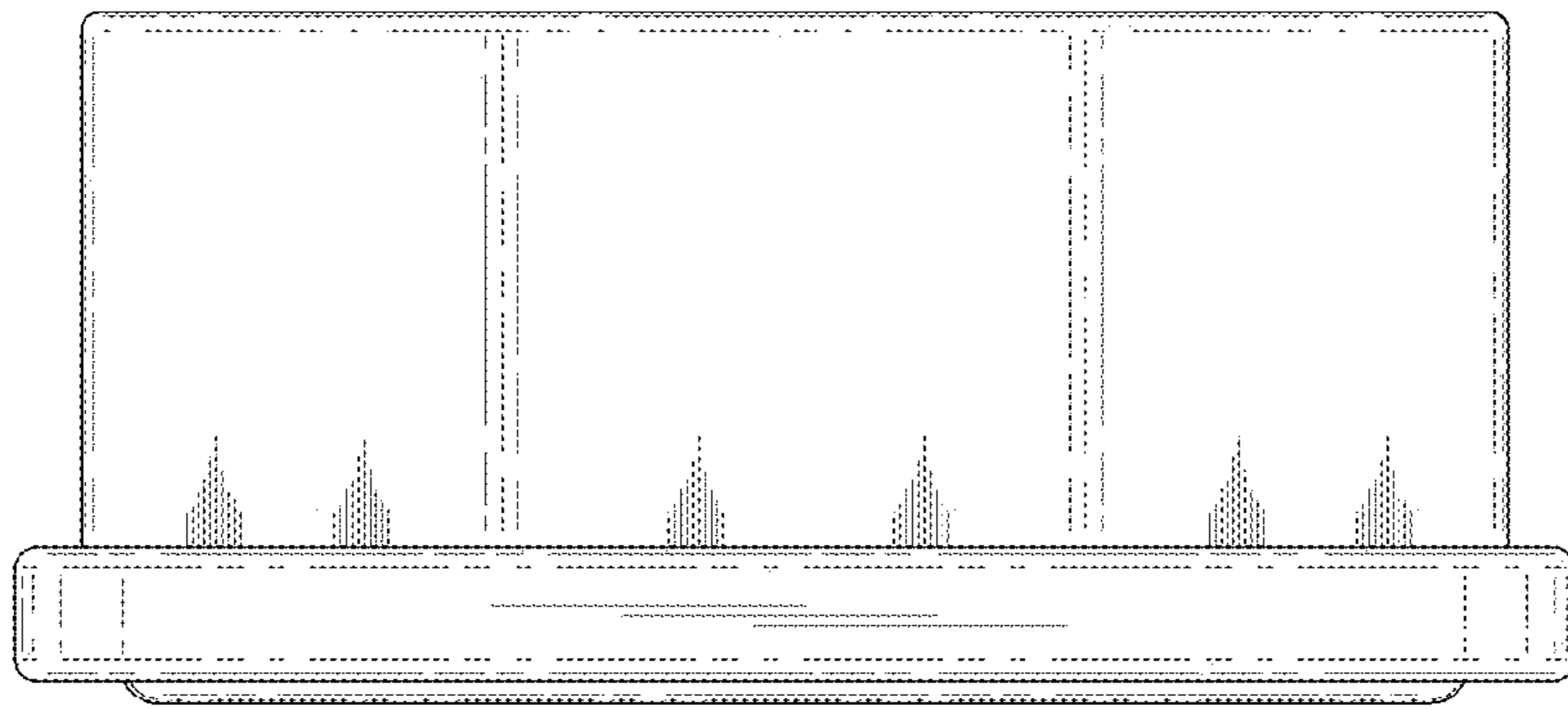


FIG.4

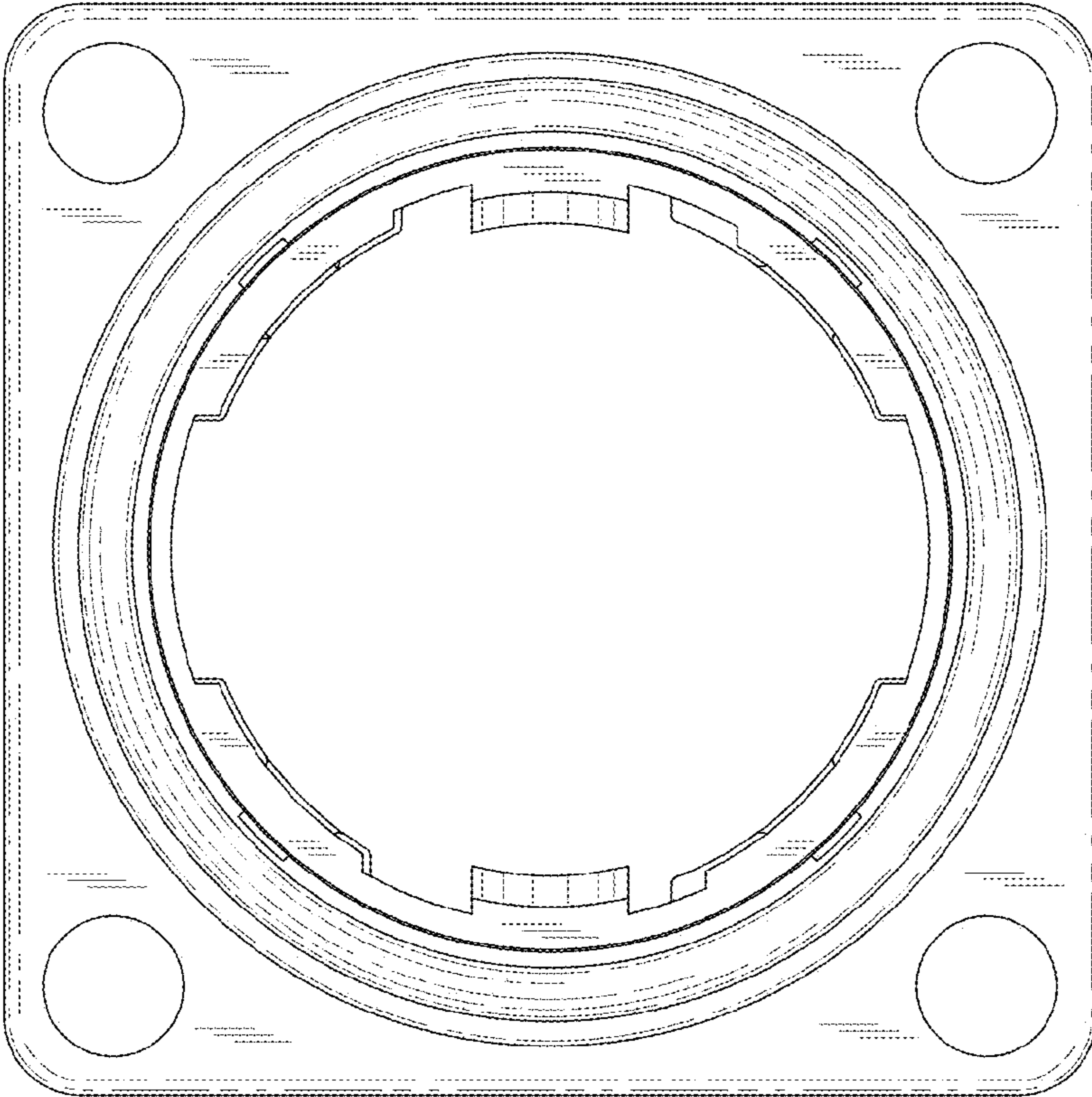


FIG.5

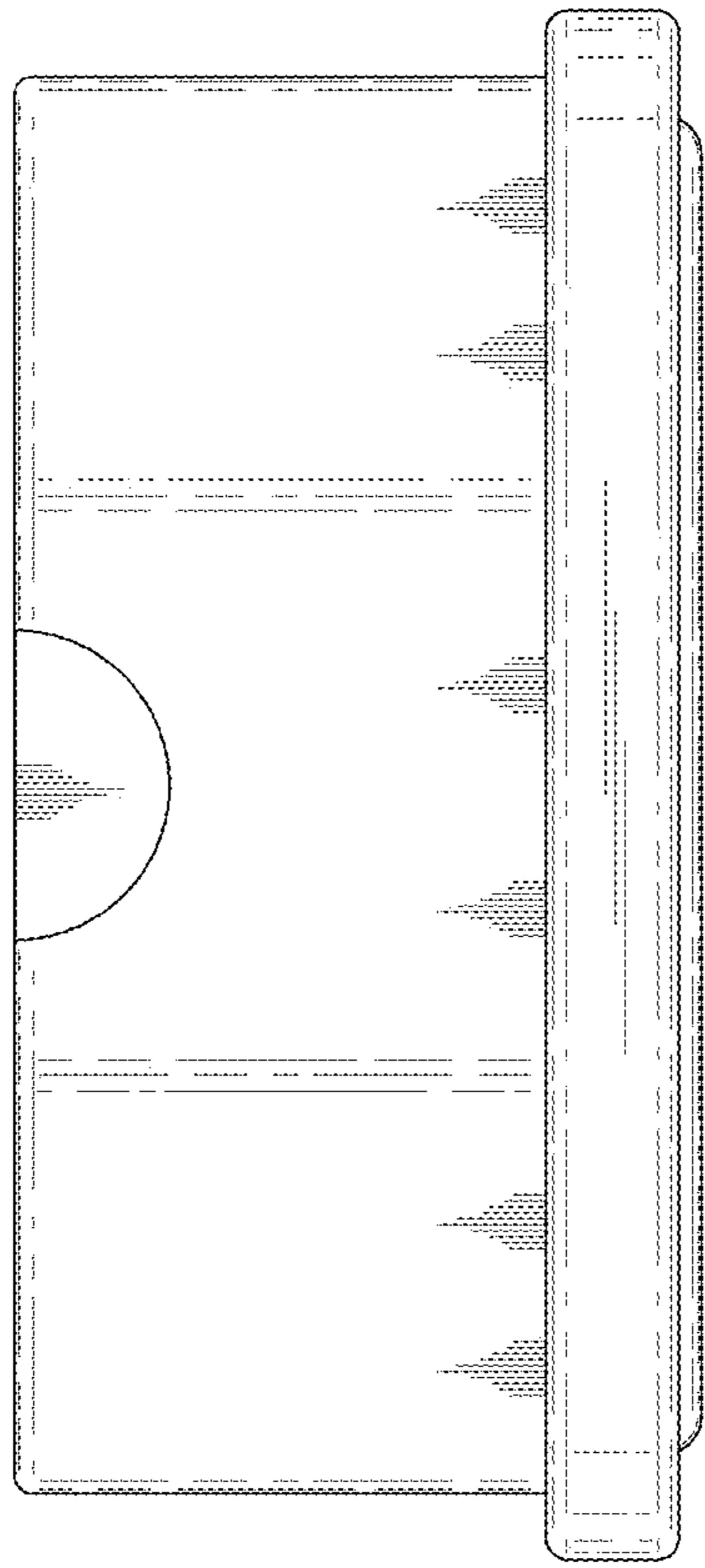


FIG.6

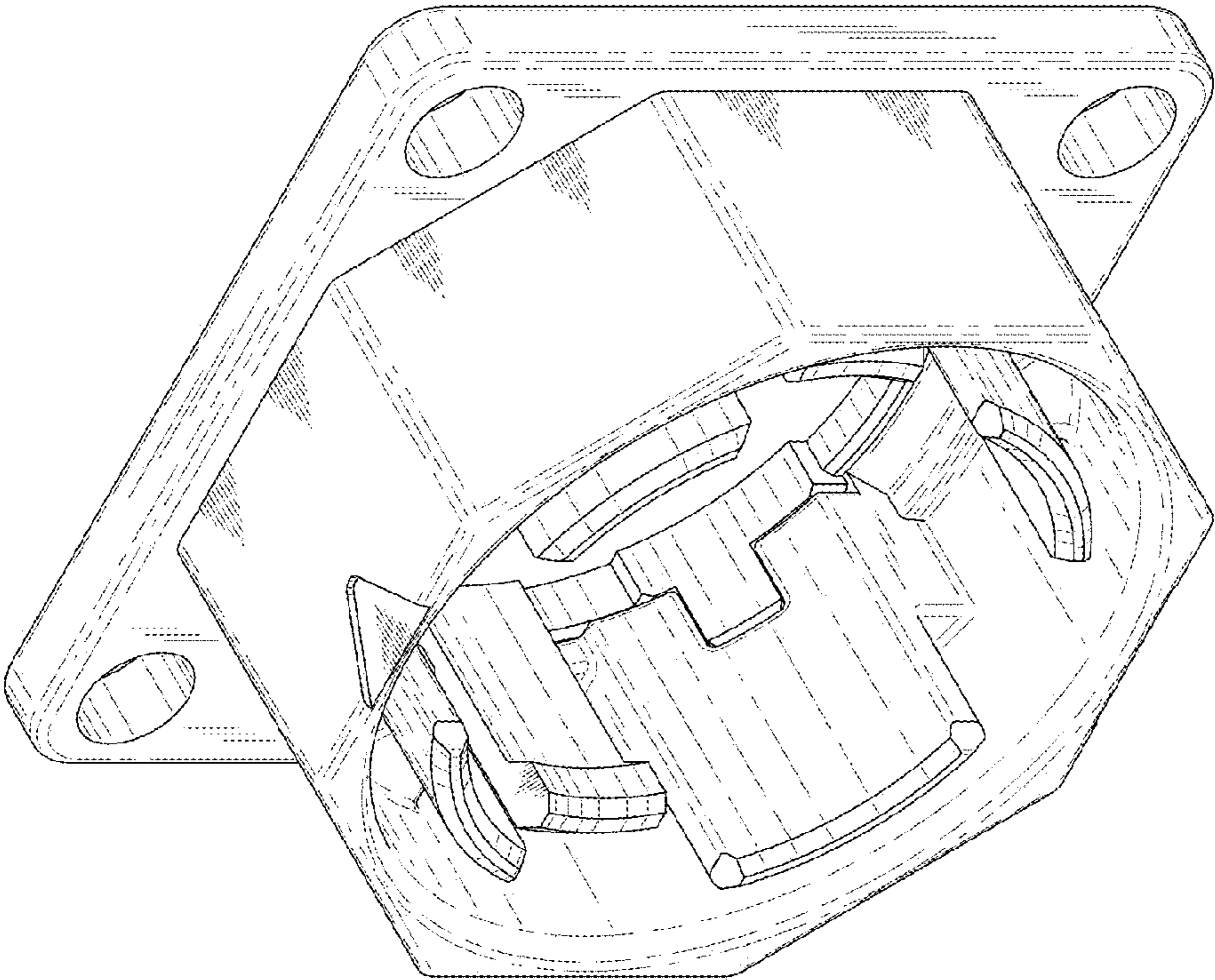


FIG. 7

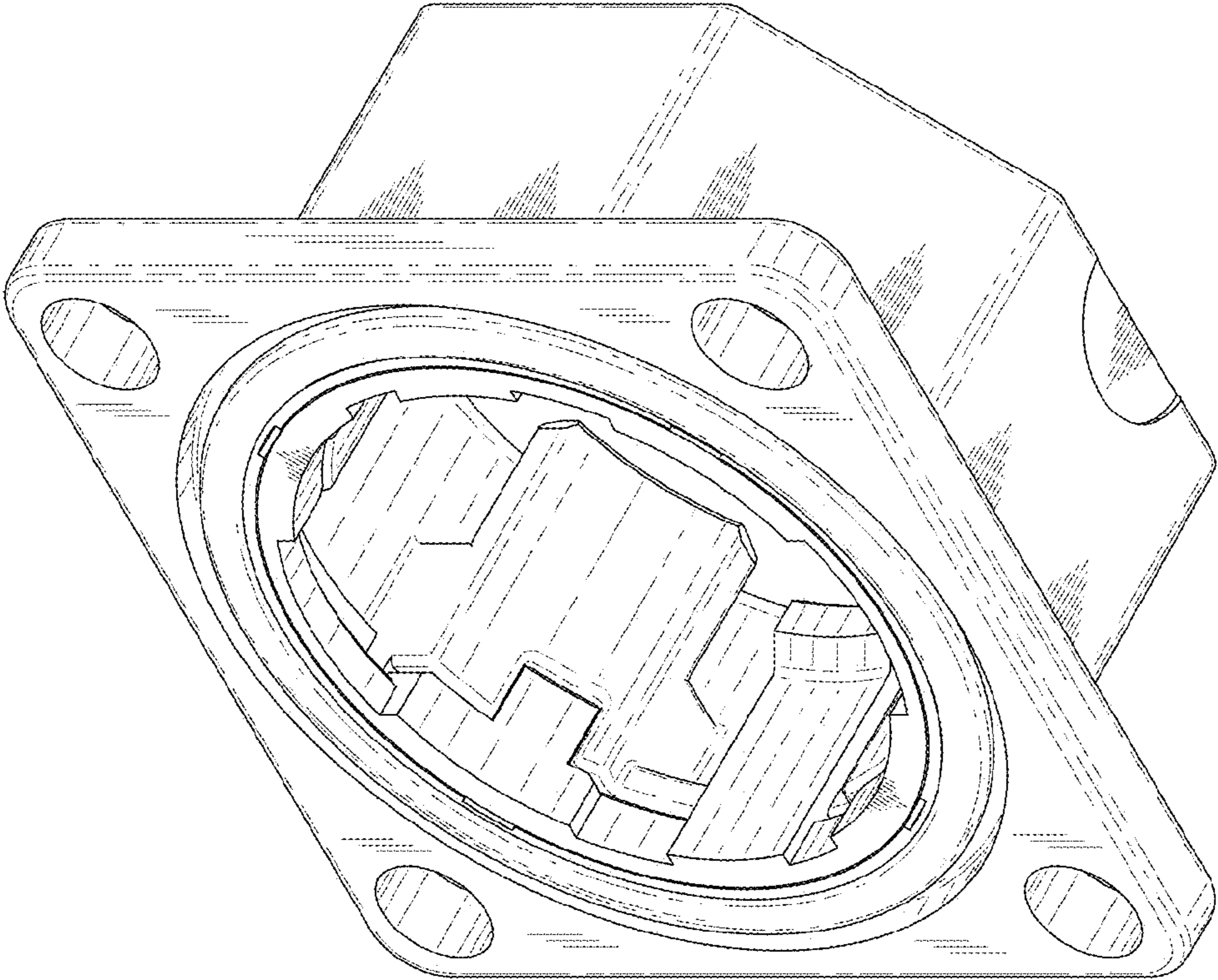


FIG. 8