



US00D747691S

(12) **United States Design Patent**  
**Disantis**

(10) **Patent No.:** **US D747,691 S**

(45) **Date of Patent:** **\*\* \*Jan. 19, 2016**

(54) **SLEEVE WITH SURFACE INDICIA**

(71) Applicant: **The National Telephone Supply Company, Cleveland, OH (US)**

(72) Inventor: **Raymond Disantis, Willoughby Hills, OH (US)**

(73) Assignee: **The National Telephone Supply Company, Cleveland, OH (US)**

(\*) Notice: This patent is subject to a terminal disclaimer.

(\*\*) Term: **14 Years**

(21) Appl. No.: **29/493,621**

(22) Filed: **Jun. 11, 2014**

(51) **LOC (10) Cl.** ..... **13-03**

(52) **U.S. Cl.**  
USPC ..... **D13/153**

(58) **Field of Classification Search**  
USPC ..... D13/152, 153, 131, 156, 155, 154, 184;  
361/683; D25/122; D32/71; D8/356;  
174/42, 135; D14/205  
See application file for complete search history.

(56) **References Cited**

**U.S. PATENT DOCUMENTS**

D337,310 S *	7/1993	Yamaguchi et al. ....	D13/156
D344,063 S *	2/1994	Letarte et al. ....	D13/131
D355,263 S *	2/1995	Dalegårdén ....	D25/122
D382,542 S *	8/1997	Nakamura ....	D13/156
D404,363 S *	1/1999	Pyle ....	D13/154
D406,428 S *	3/1999	Pyle ....	D32/71
D408,365 S *	4/1999	Sanders ....	D13/153
D460,740 S *	7/2002	Montena ....	D13/154
D460,947 S *	7/2002	Montena ....	D13/154
D460,948 S *	7/2002	Montena ....	D13/154
D473,524 S *	4/2003	Koehler ....	D13/156
D489,336 S *	5/2004	Kitamura ....	D13/153
6,740,818 B2 *	5/2004	Clark ....	174/135
D494,935 S *	8/2004	Milan ....	D13/153
D498,731 S *	11/2004	Haeberle ....	D13/156

D506,188 S *	6/2005	Ikeda ....	D13/184
D585,032 S *	1/2009	Nakamura ....	D13/155
D628,461 S *	12/2010	Stein et al. ....	D8/356
D653,100 S *	1/2012	Chen ....	D8/356
D663,699 S *	7/2012	Nakamura ....	D13/156
D680,083 S *	4/2013	Olson ....	D13/156
D684,122 S *	6/2013	Strater ....	D13/153
D704,144 S *	5/2014	Tangalakis ....	D13/153
D717,274 S *	11/2014	Burgett et al. ....	D14/205
D719,526 S *	12/2014	Martinek ....	D13/155
D720,702 S *	1/2015	Baldwin et al. ....	D13/155

\* cited by examiner

*Primary Examiner* — Holly Baynham

*Assistant Examiner* — Rhea Shields

(74) *Attorney, Agent, or Firm* — Fay Sharpe LLP; James E. Scarbrough

(57) **CLAIM**

The ornamental design for a sleeve with surface indicia, as shown and described.

**DESCRIPTION**

FIG. 1 is a top perspective view of a first embodiment of the sleeve with surface indicia in accordance with one aspect of my new design;

FIG. 2 is a top perspective view of a second embodiment of the sleeve with surface indicia in accordance with another aspect of my new design;

FIG. 3 is a top perspective view of a third embodiment of the sleeve with surface indicia in accordance with another aspect of my new design;

FIG. 4 is a top perspective view of a fourth embodiment of the sleeve with surface indicia in accordance with another aspect of my new design;

FIG. 5 is a top perspective view of a fifth embodiment of the sleeve with surface indicia in accordance with another aspect of my new design;

FIG. 6 is a top perspective view of a sixth embodiment of the sleeve with surface indicia in accordance with another aspect of my new design;

FIG. 7 is a top perspective view of a seventh embodiment of the sleeve with surface indicia in accordance with another aspect of my new design;

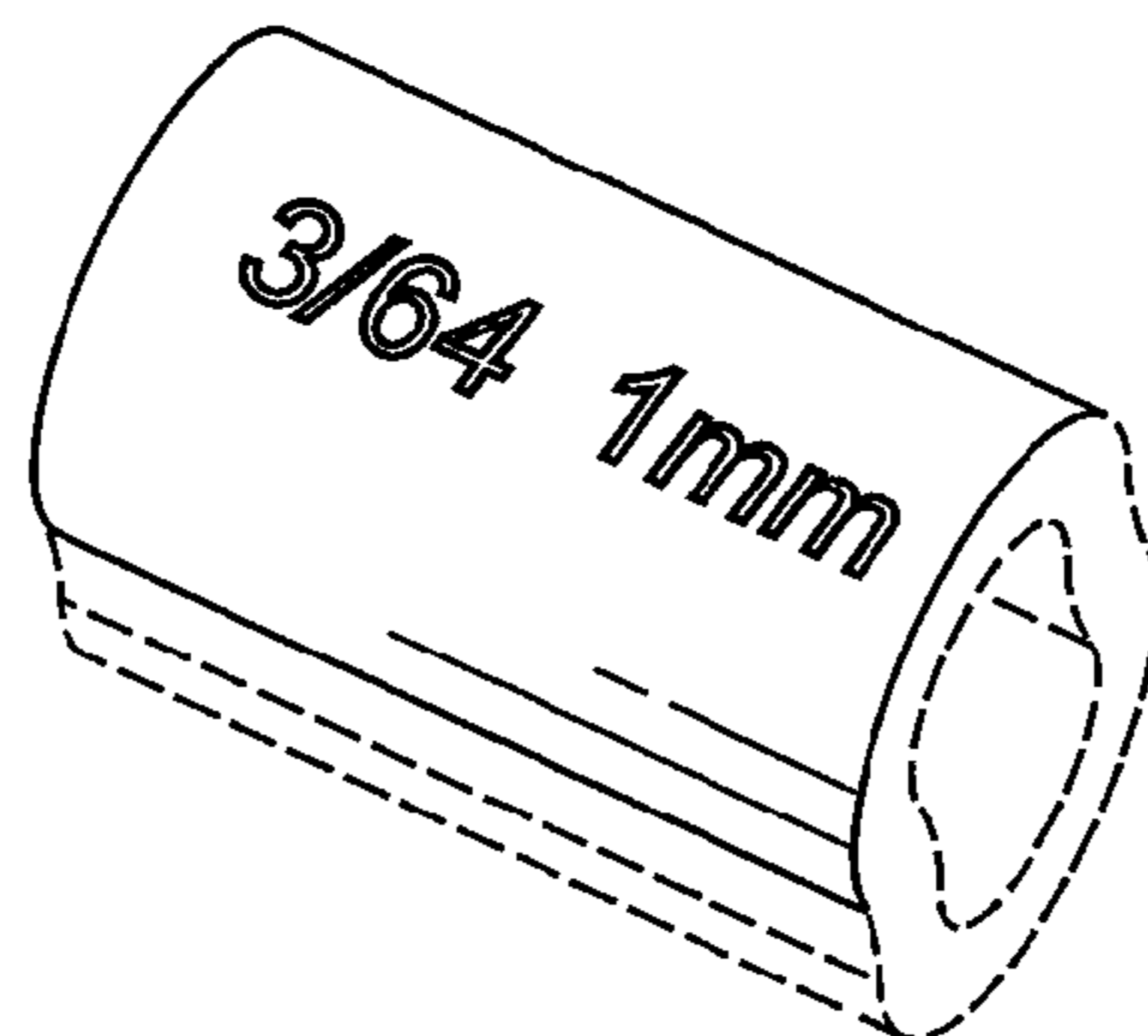


FIG. 8 is a top perspective view of an eighth embodiment of the sleeve with surface indicia in accordance with another aspect of my new design;

FIG. 9 is a top perspective view of a ninth embodiment of the sleeve with surface indicia in accordance with another aspect of my new design;

FIG. 10 is a top perspective view of a tenth embodiment of the sleeve with surface indicia in accordance with another aspect of my new design;

FIG. 11 is a top perspective view of an eleventh embodiment of the sleeve with surface indicia in accordance with another aspect of my new design;

FIG. 12 is a top perspective view of a twelfth embodiment of the sleeve with surface indicia in accordance with another aspect of my new design;

FIG. 13 is a top perspective view of a thirteenth embodiment of the sleeve with surface indicia in accordance with another aspect of my new design;

FIG. 14 is a top perspective view of a fourteenth embodiment of the sleeve with surface indicia in accordance with another aspect of my new design;

FIG. 15 is a top perspective view of a fifteenth embodiment of the sleeve with surface indicia in accordance with another aspect of my new design;

FIG. 16 is a top perspective view of a sixteenth embodiment of the sleeve with surface indicia in accordance with another aspect of my new design;

FIG. 17 is a top perspective view of a seventeenth embodiment of the sleeve with surface indicia in accordance with another aspect of my new design;

FIG. 18 is a top perspective view of an eighteenth embodiment of the sleeve with surface indicia in accordance with another aspect of my new design;

FIG. 19 is a top perspective view of a nineteenth embodiment of the sleeve with surface indicia in accordance with another aspect of my new design;

FIG. 20 is a top perspective view of a twentieth embodiment of the sleeve with surface indicia in accordance with another aspect of my new design;

FIG. 21 is a top perspective view of a twenty-first embodiment of the sleeve with surface indicia in accordance with another aspect of my new design;

FIG. 22 is a top perspective view of a twenty-second embodiment of the sleeve with surface indicia in accordance with another aspect of my new design;

FIG. 23 is a top perspective view of a twenty-third embodiment of the sleeve with surface indicia in accordance with another aspect of my new design;

FIG. 24 is a top perspective view of a twenty-fourth embodiment of the sleeve with surface indicia in accordance with another aspect of my new design;

FIG. 25 is a top perspective view of a twenty-fifth embodiment of the sleeve with surface indicia in accordance with another aspect of my new design; and,

FIG. 26 is a top perspective view of a twenty-sixth embodiment of the sleeve with surface indicia in accordance with another aspect of my new design.

In the drawings, the broken lines depict unclaimed subject matter only and form no part of the claimed design.

**1 Claim, 4 Drawing Sheets**



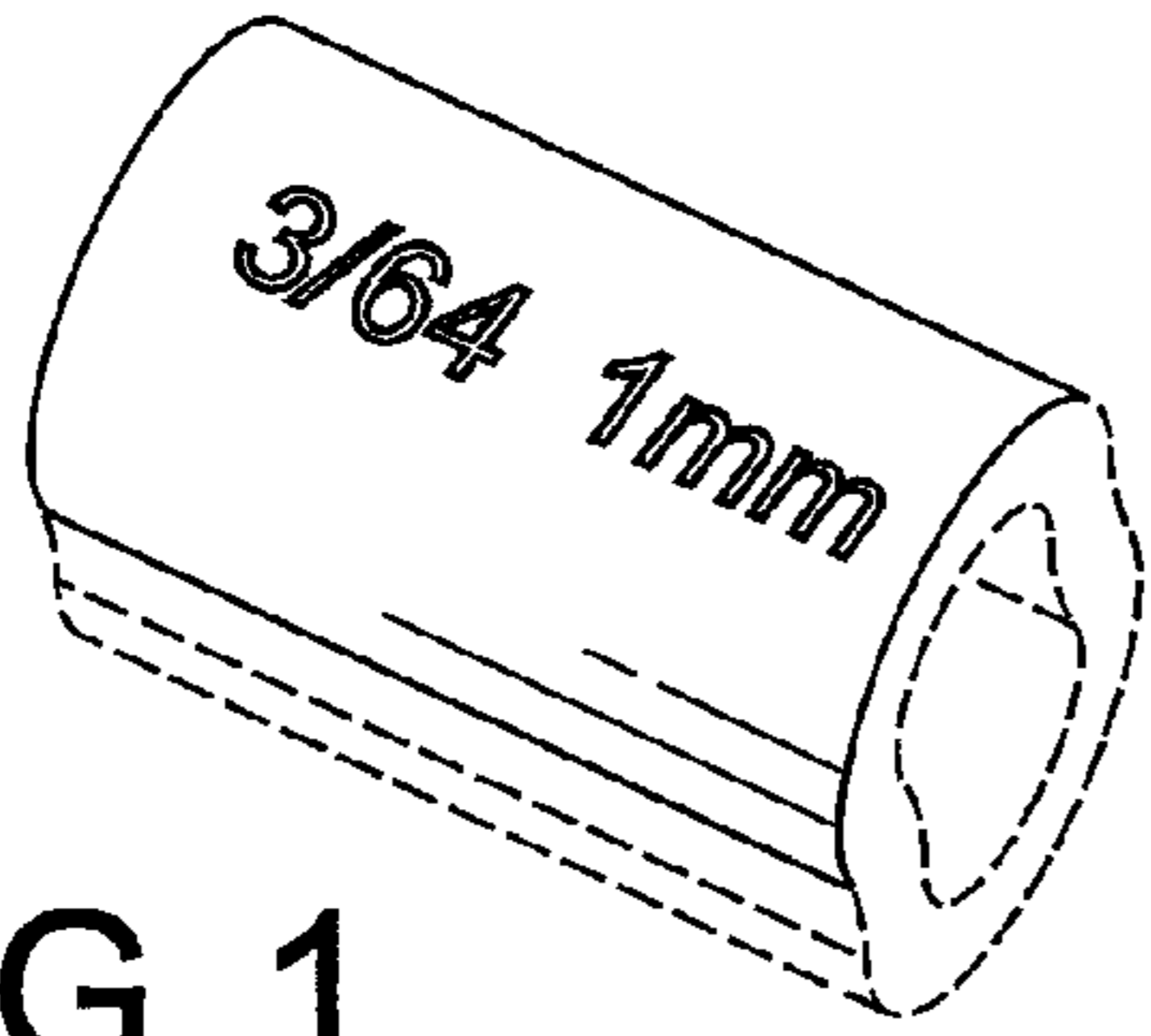


FIG. 1

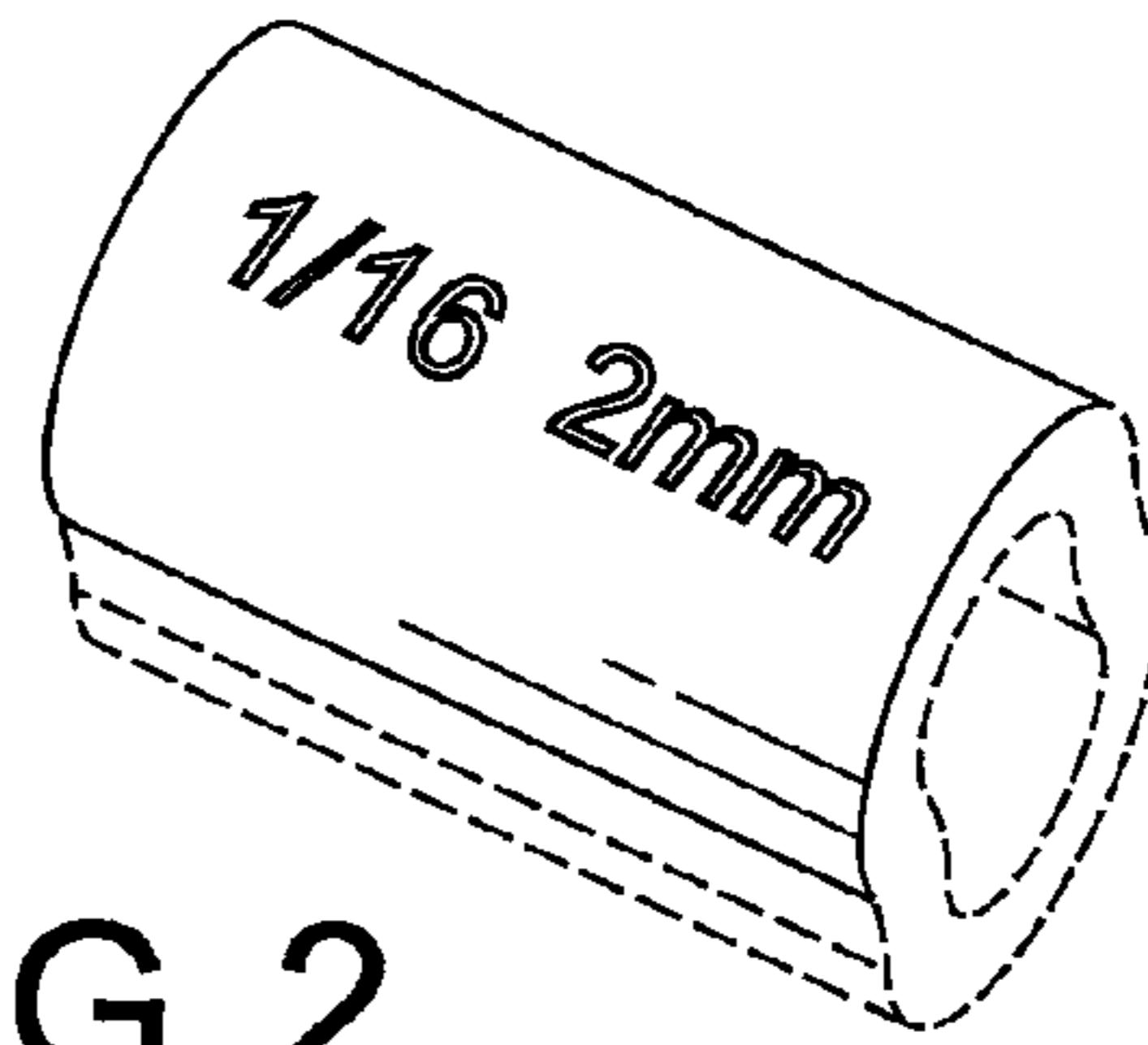


FIG. 2

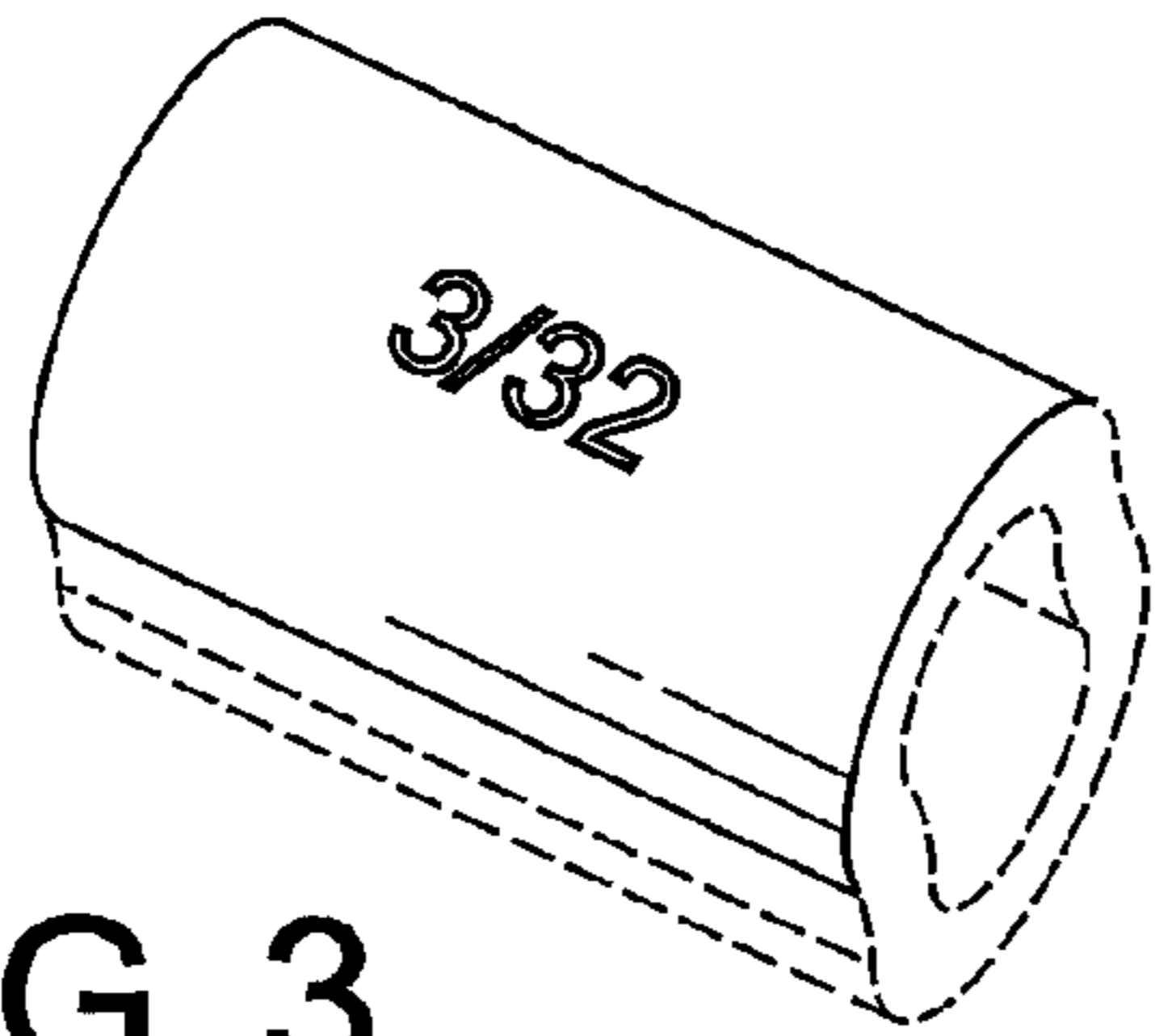


FIG. 3

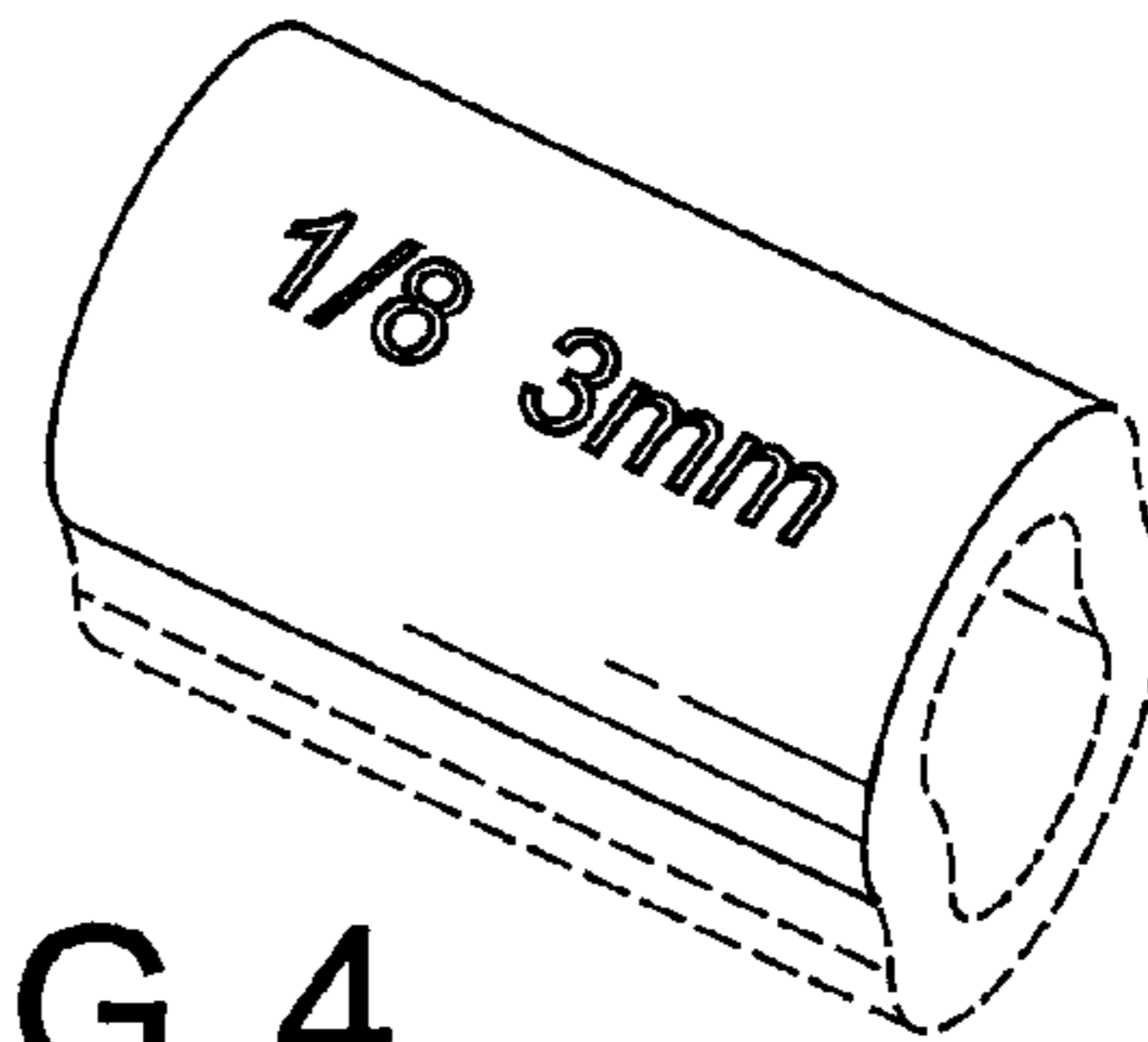


FIG. 4

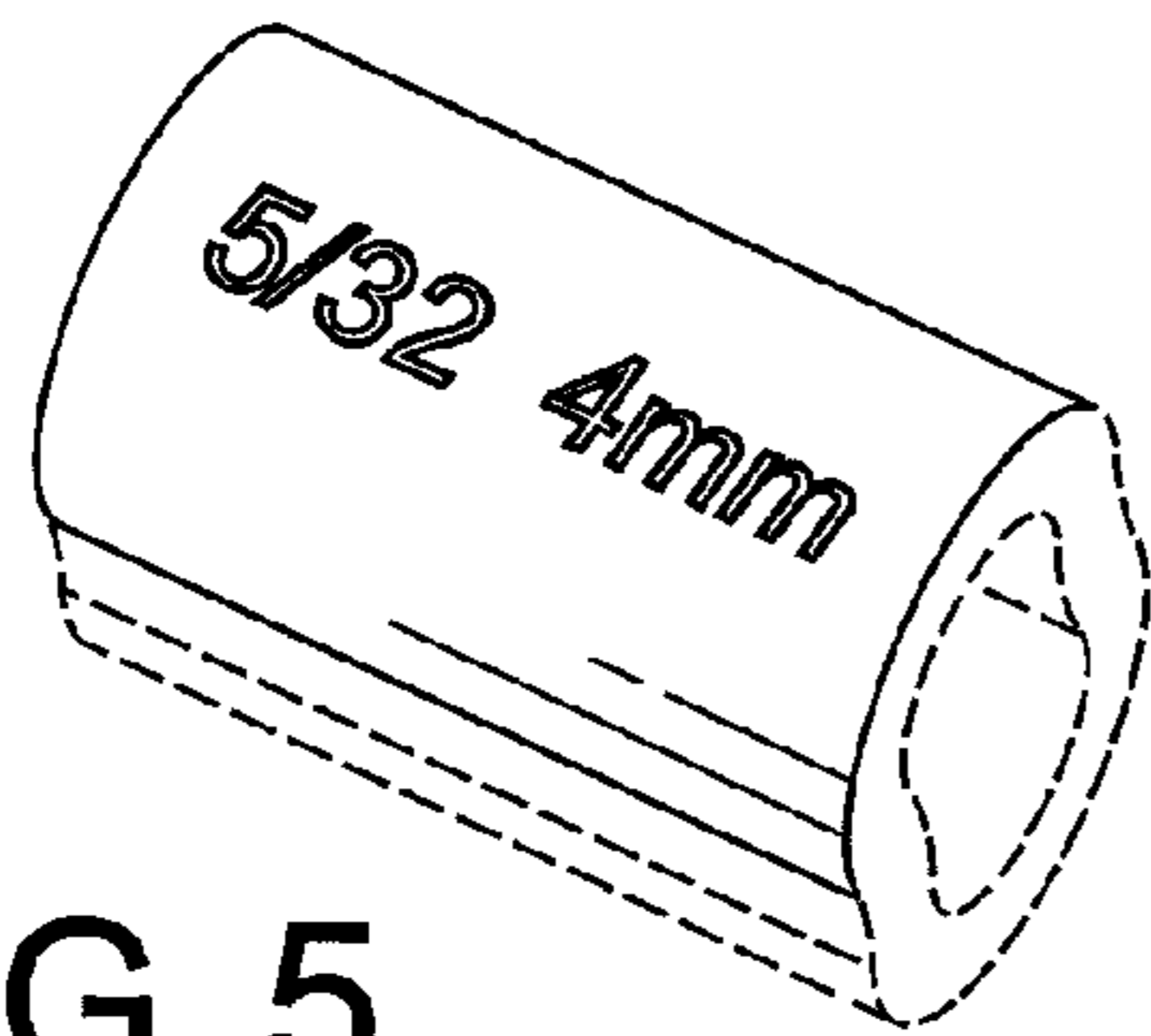


FIG. 5

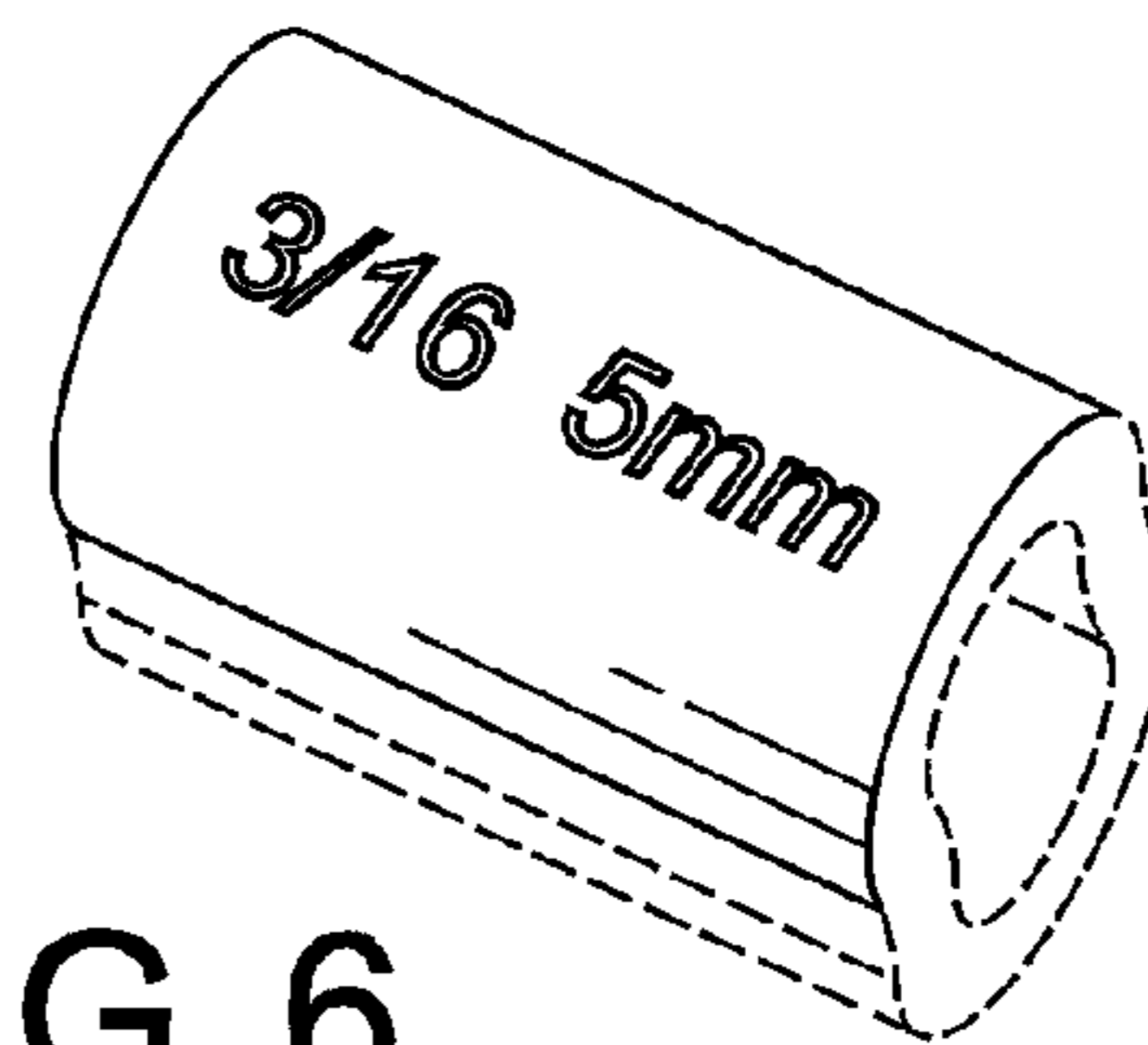


FIG. 6

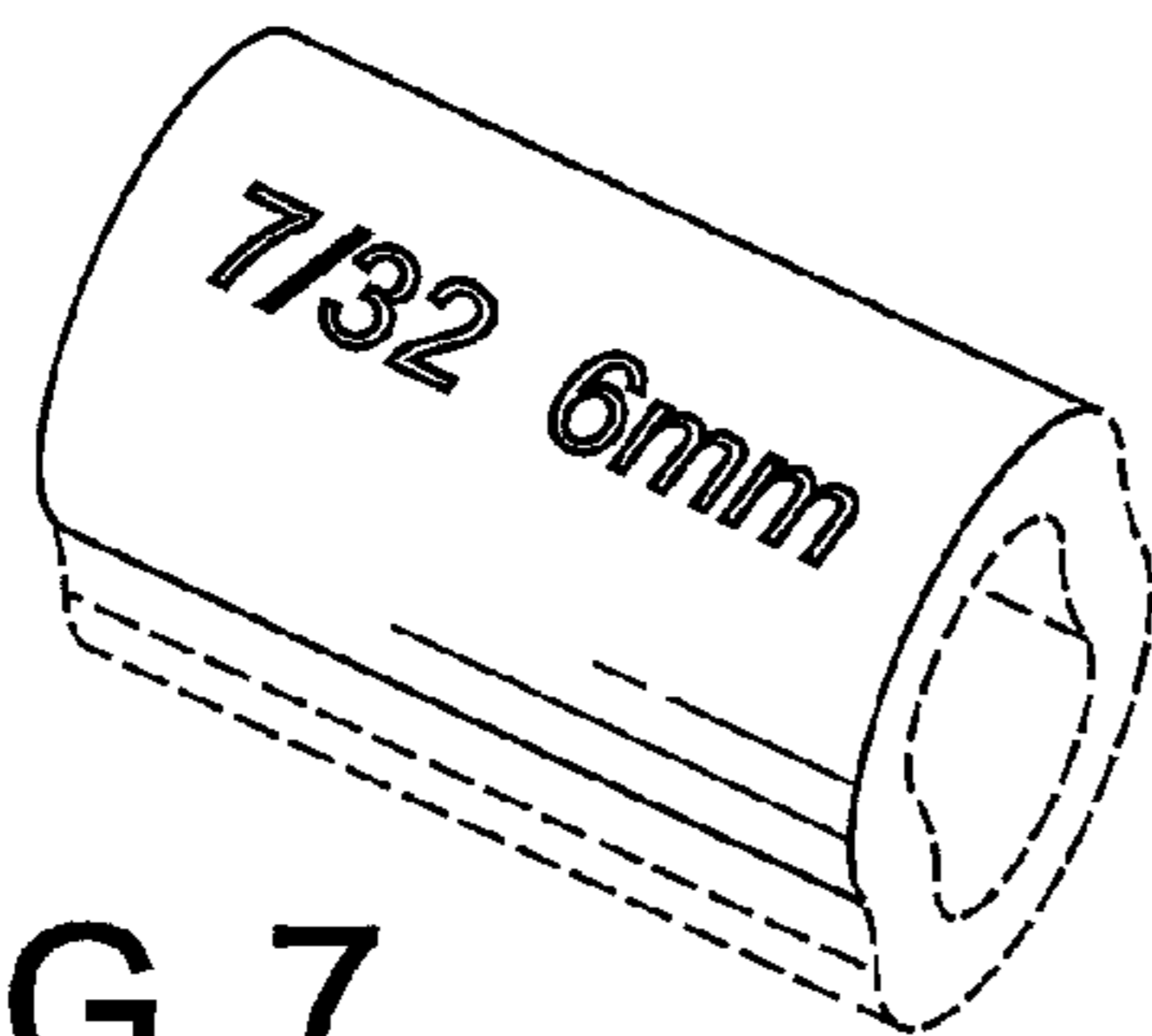


FIG. 7

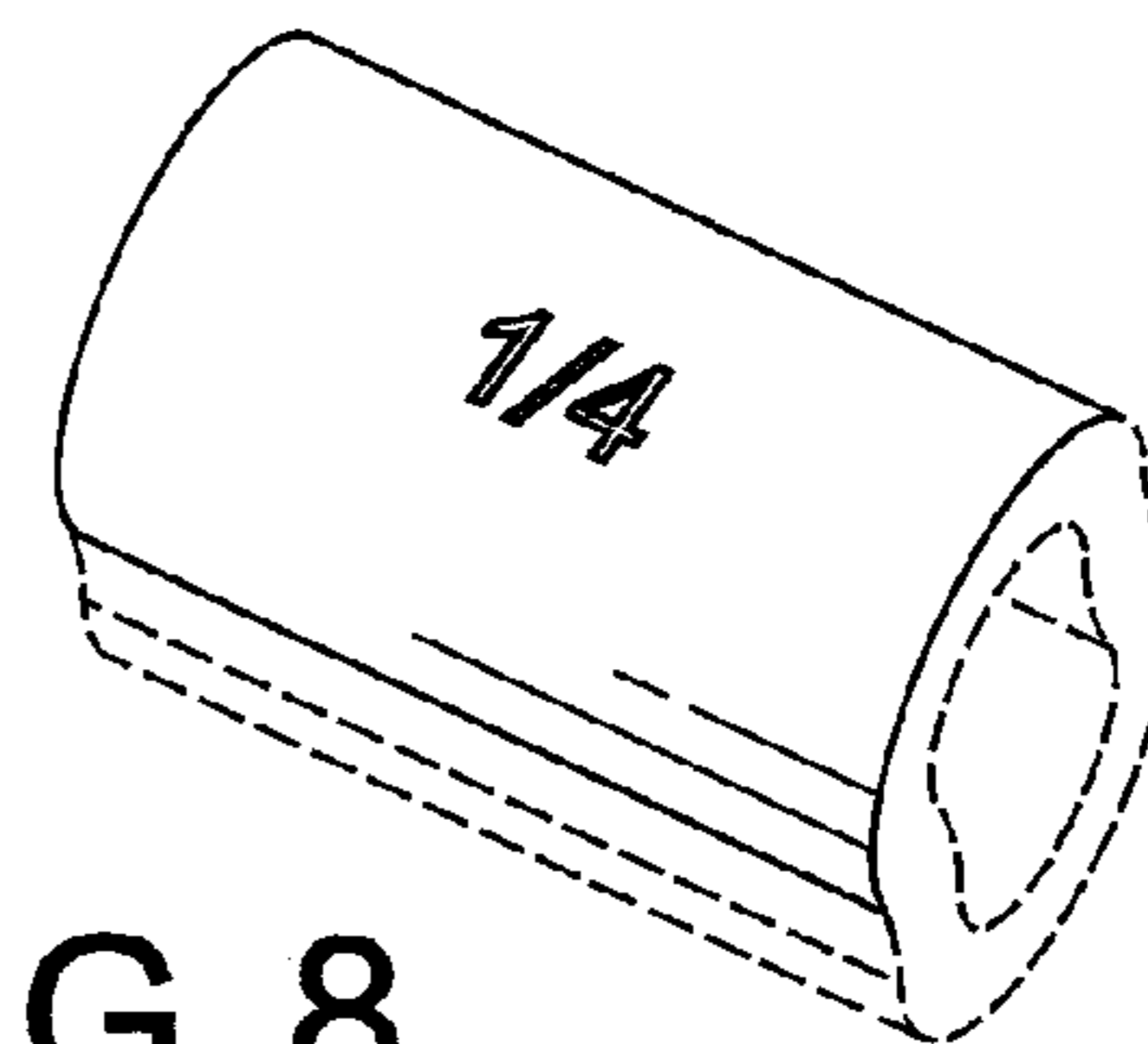


FIG. 8

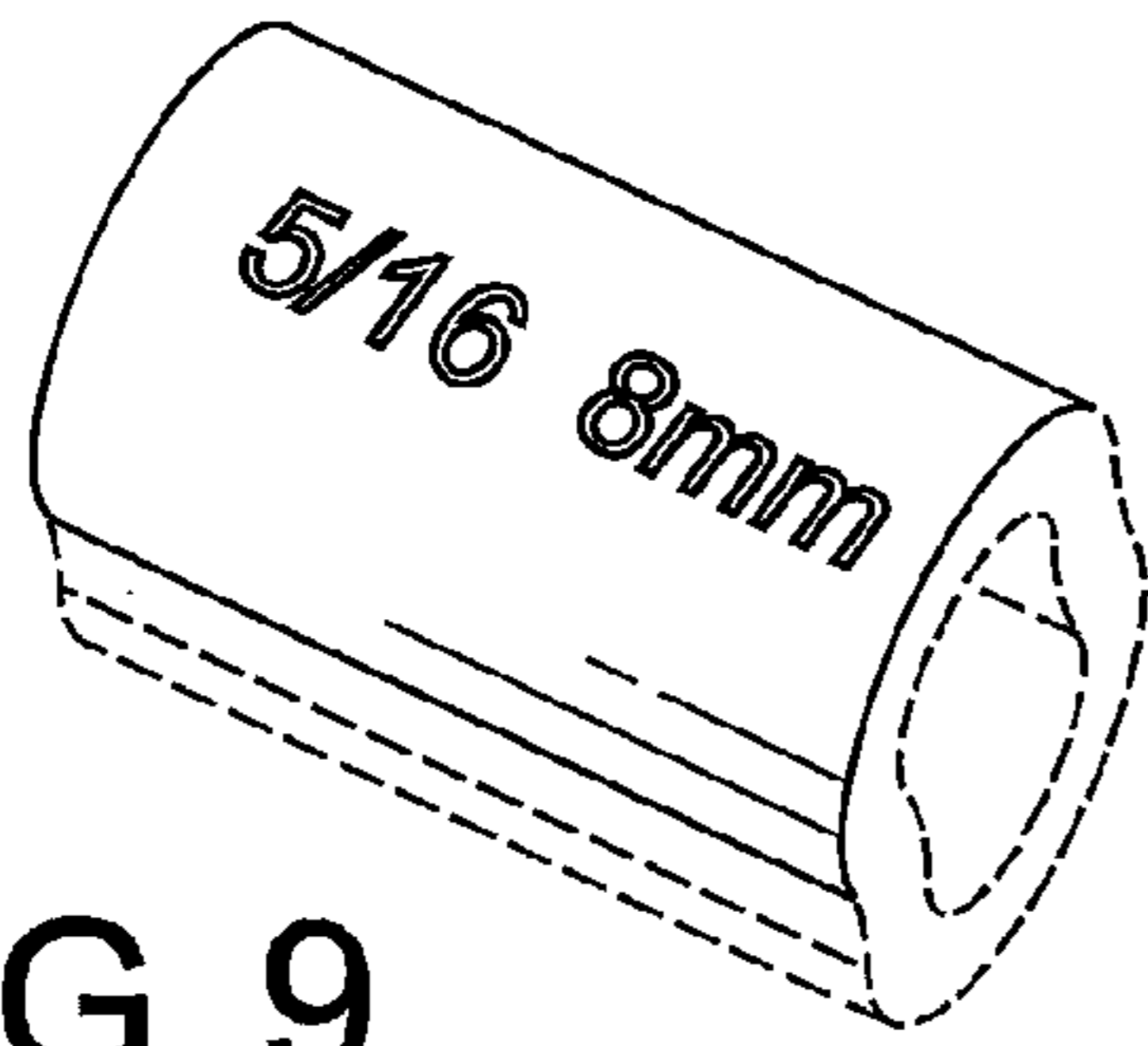


FIG. 9

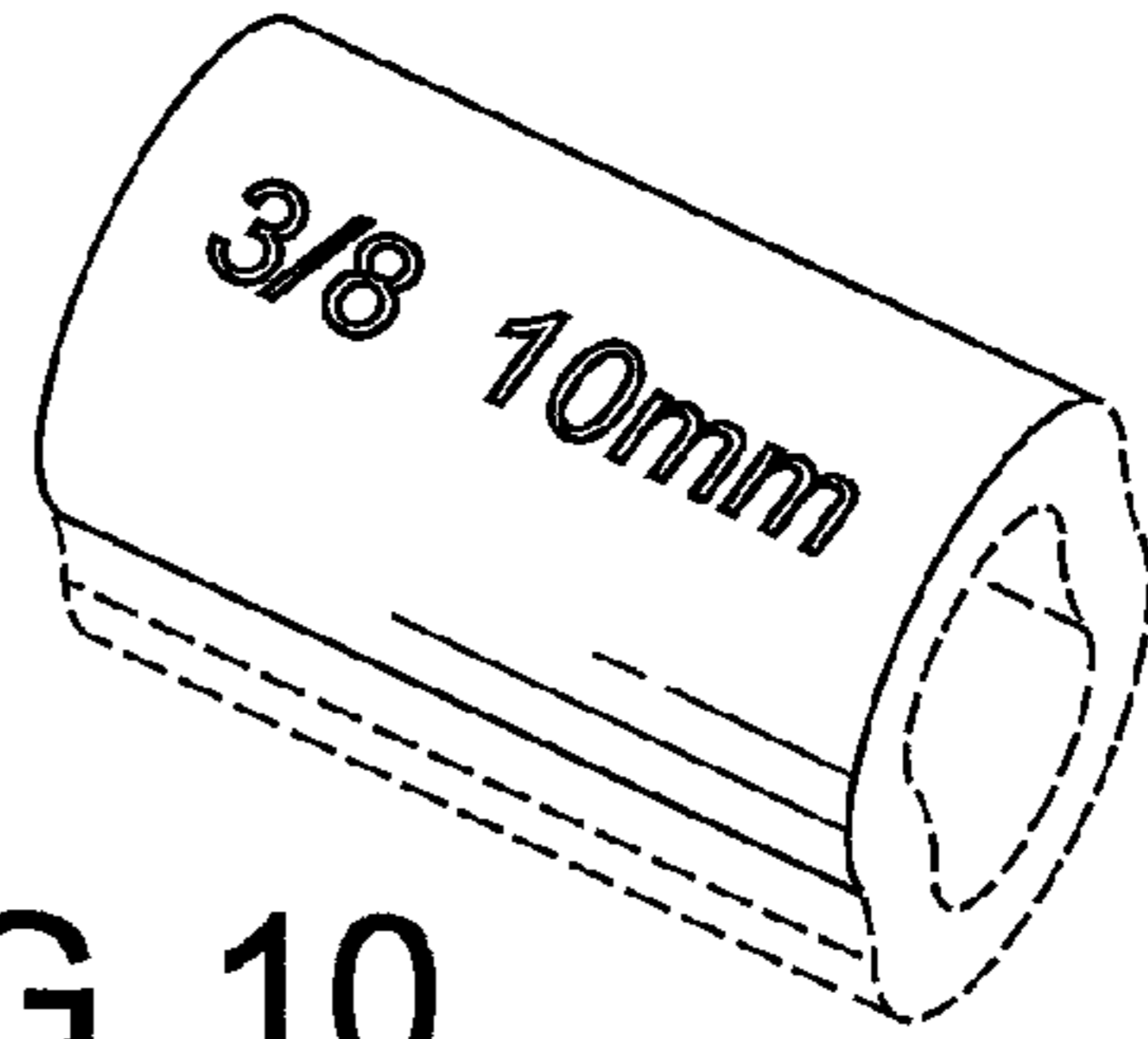


FIG. 10

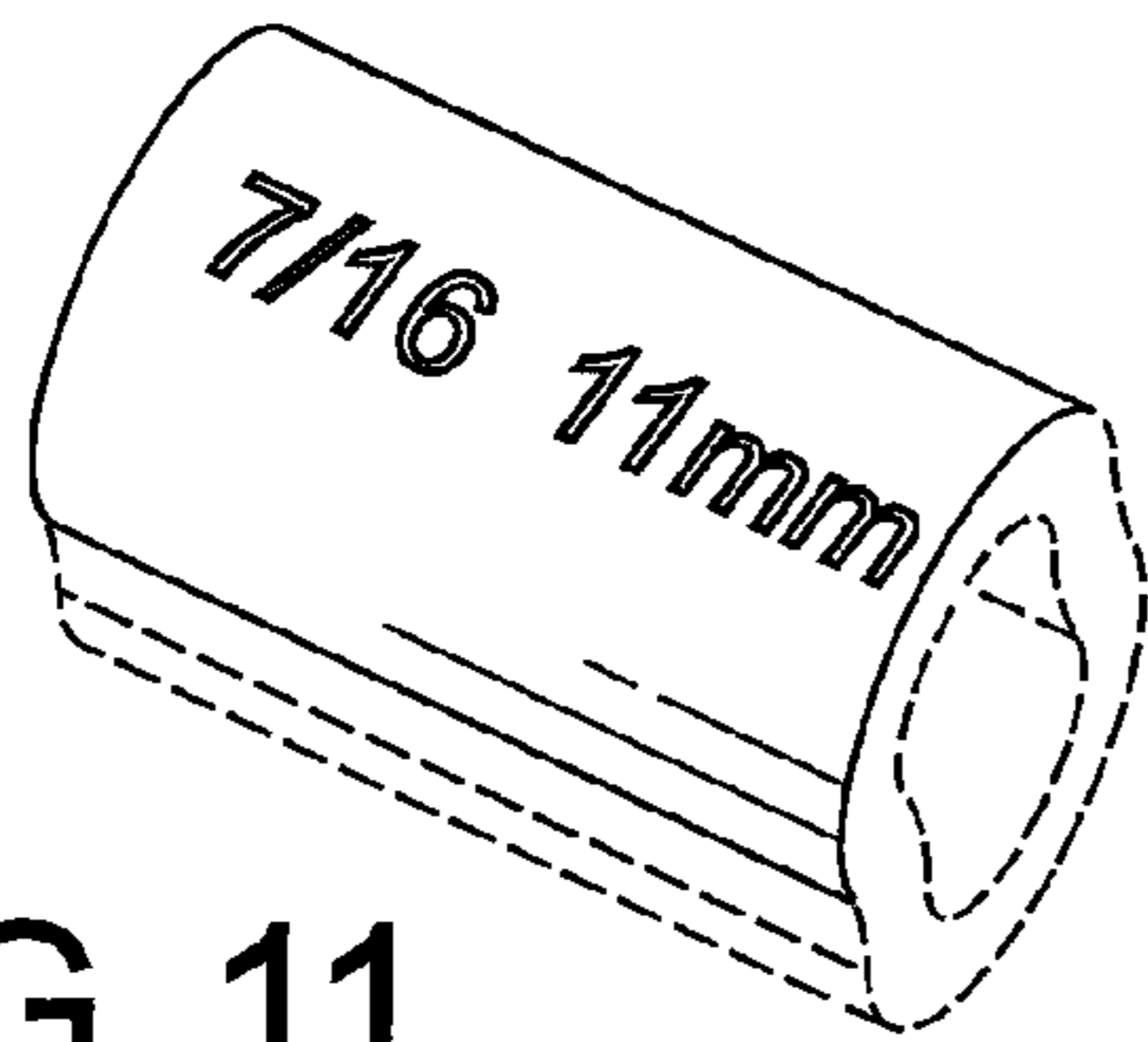


FIG. 11

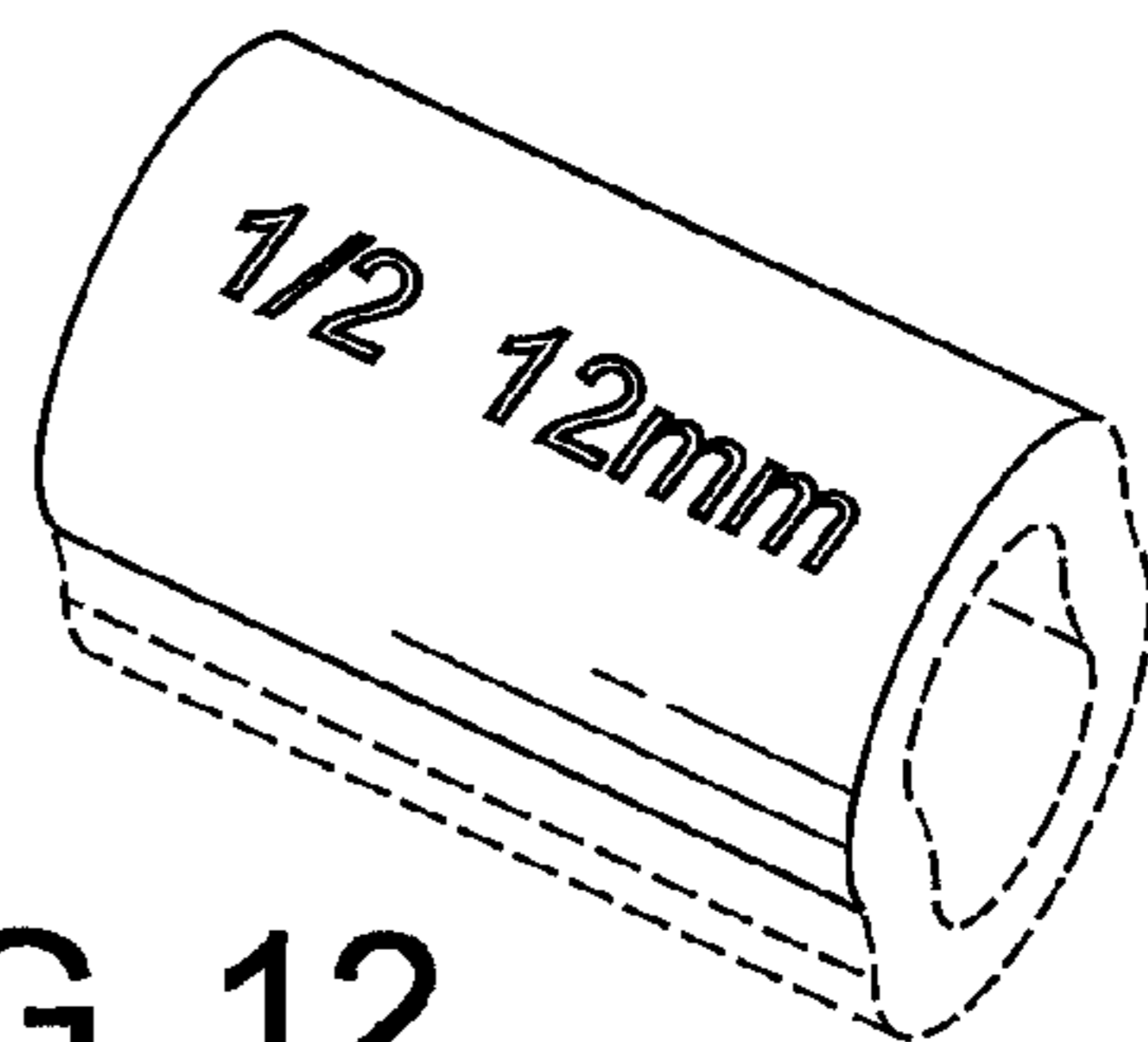


FIG. 12

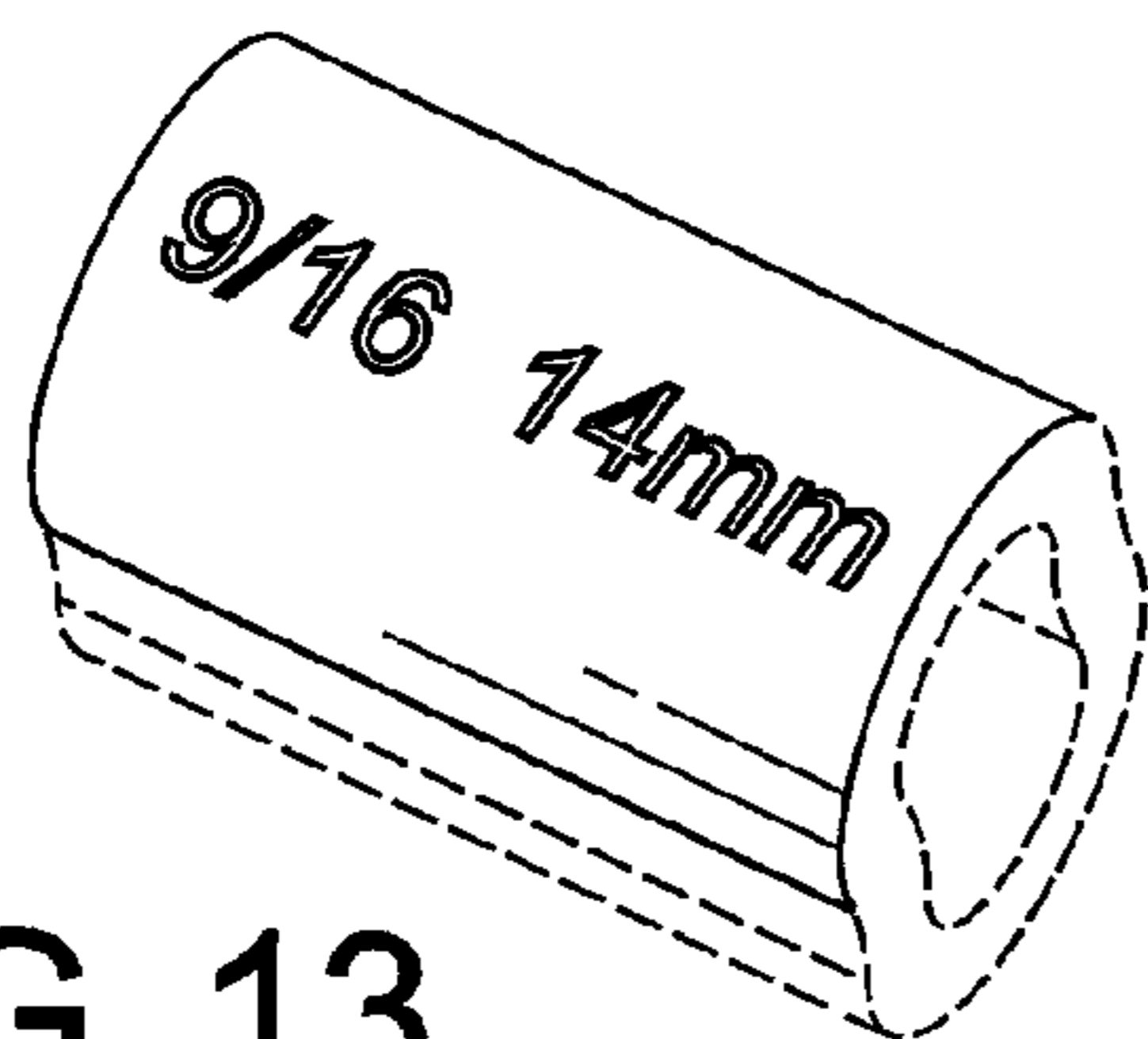


FIG. 13

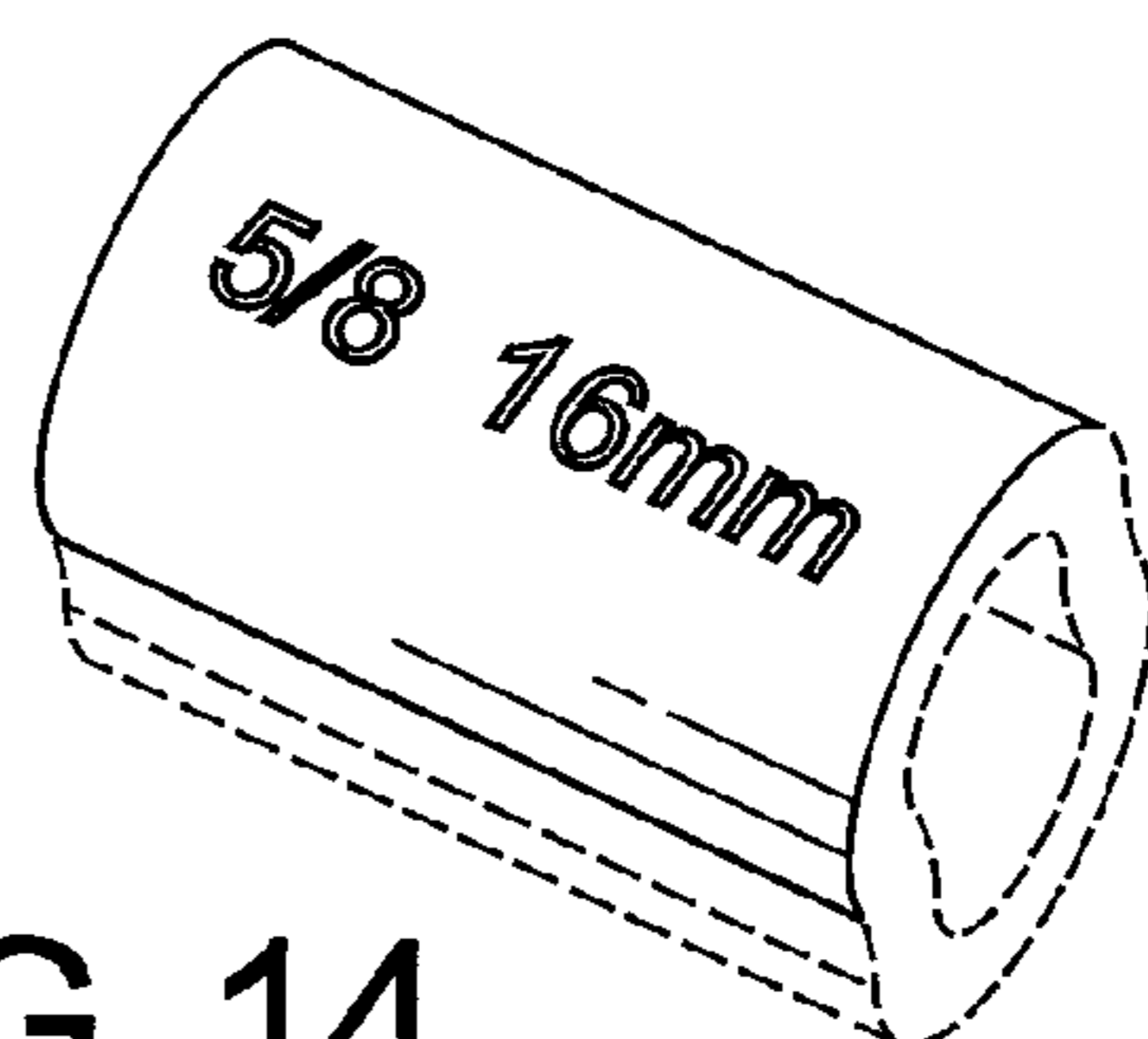


FIG. 14

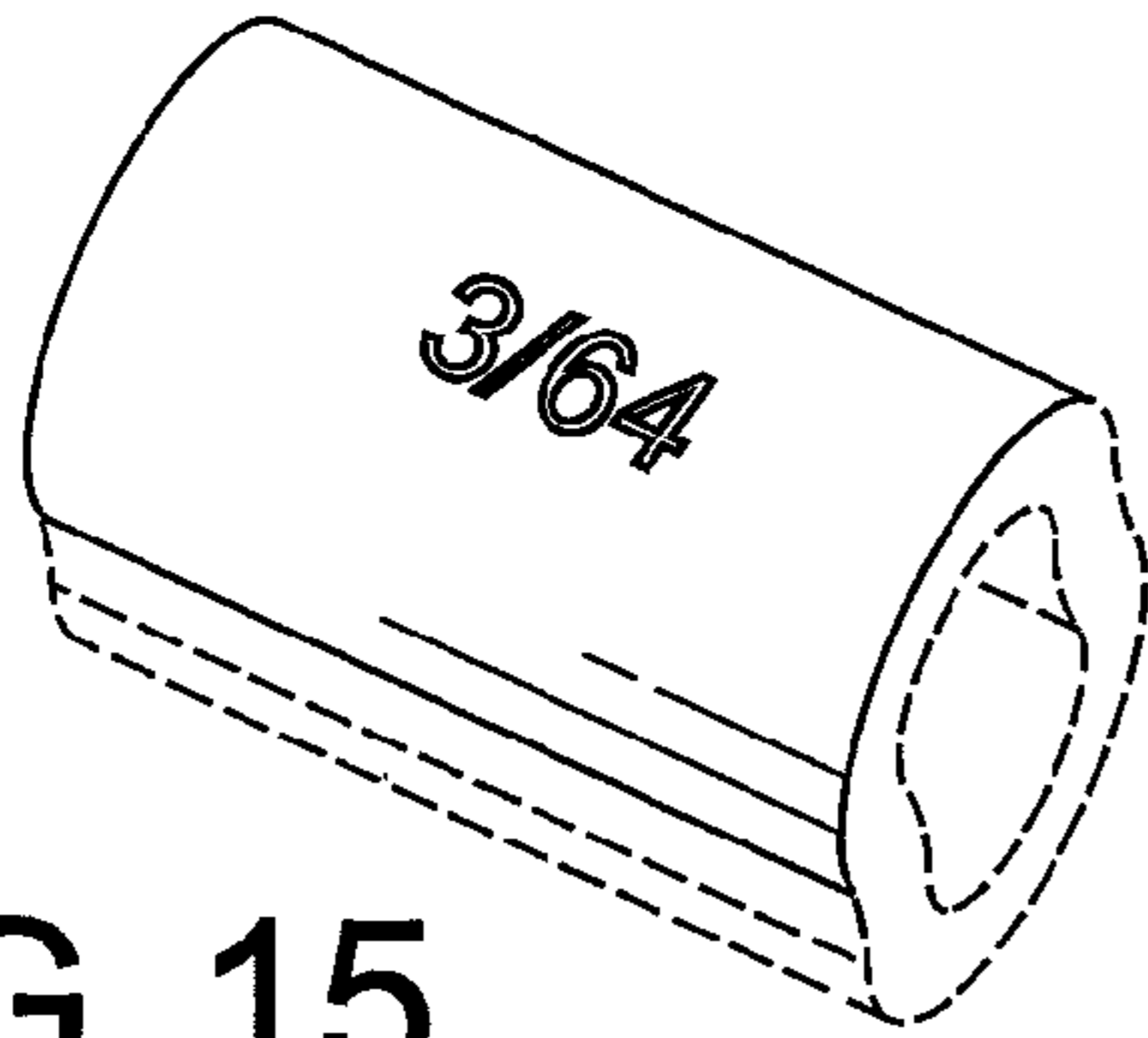


FIG. 15

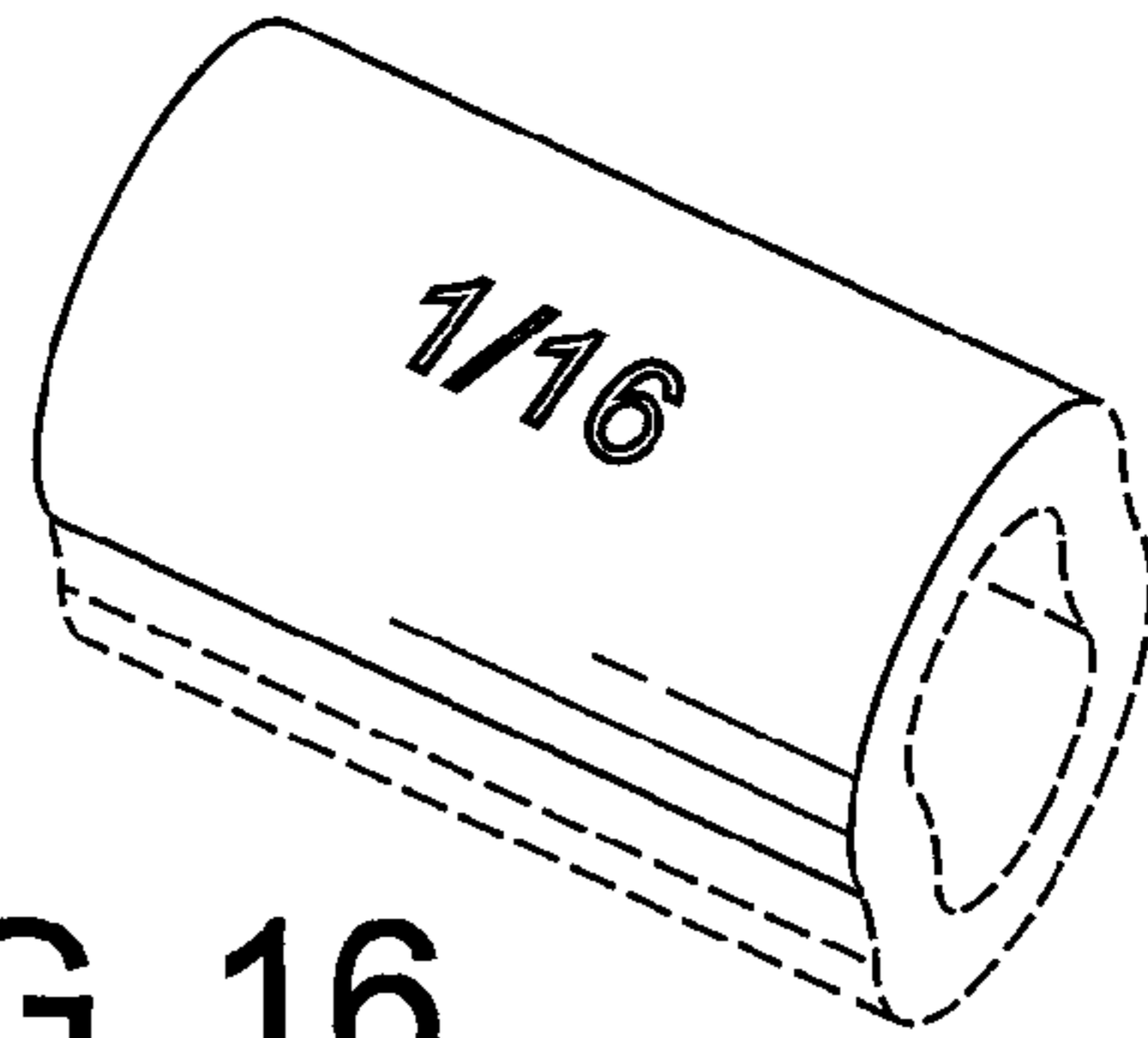


FIG. 16

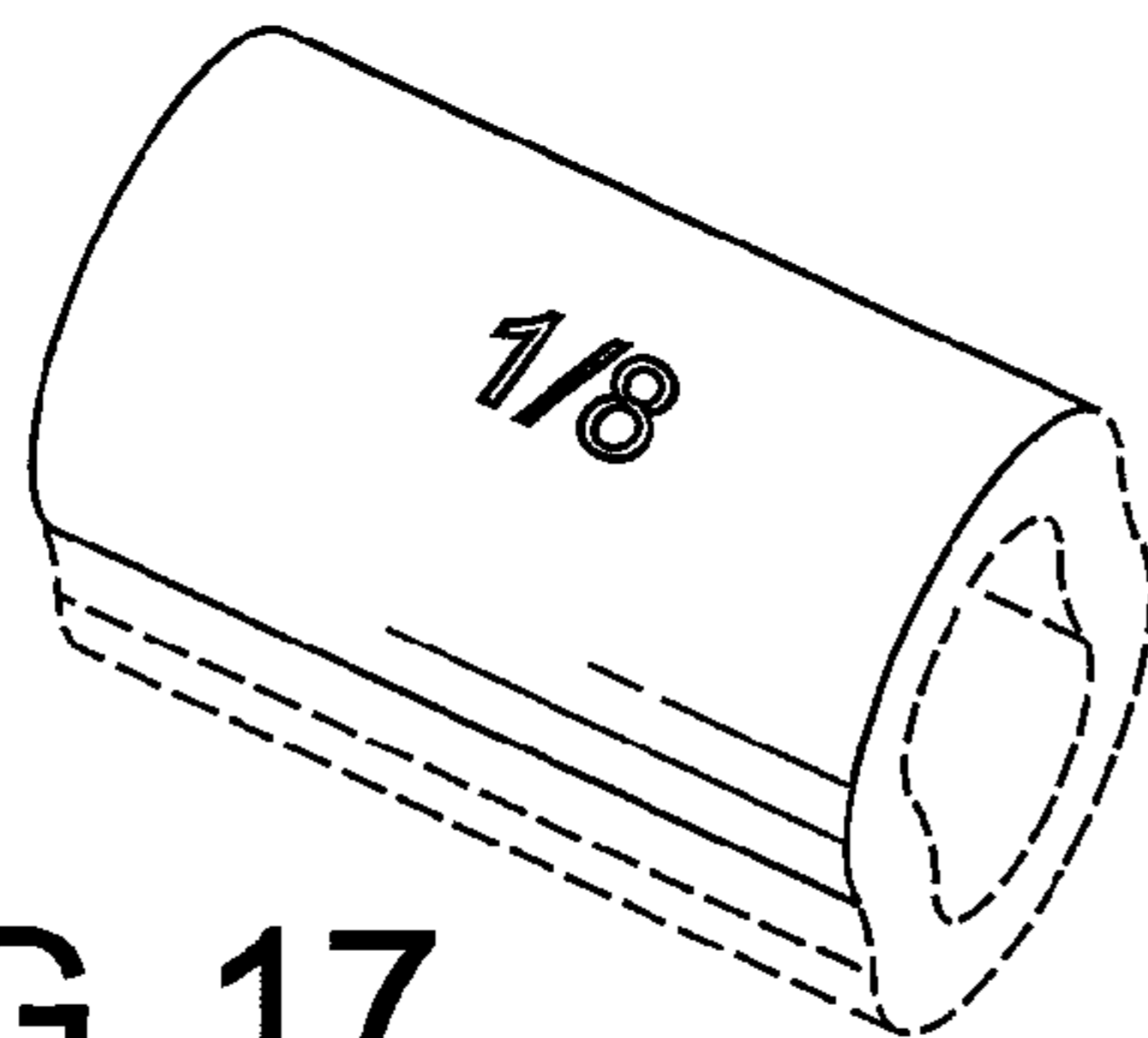


FIG. 17

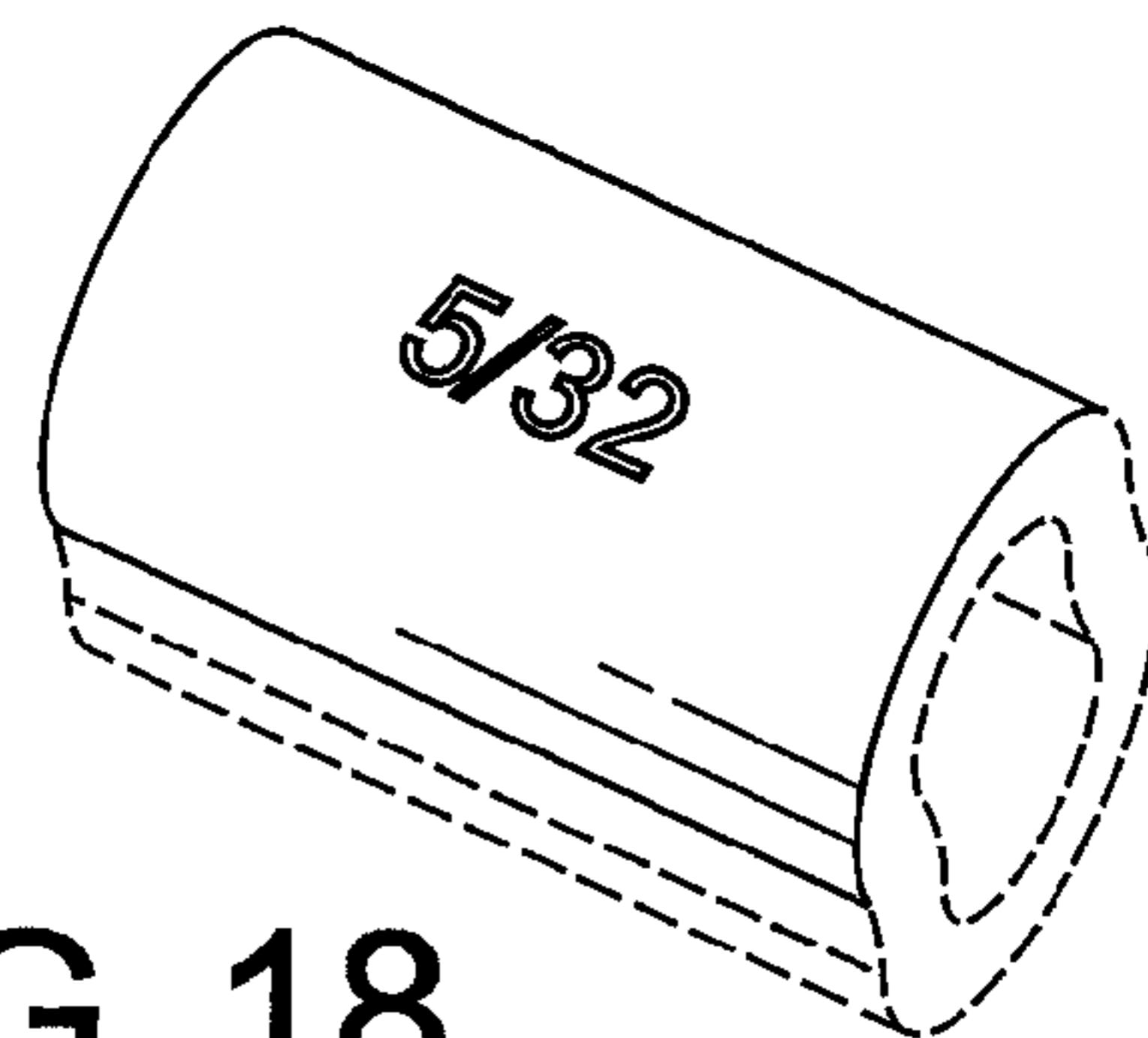


FIG. 18

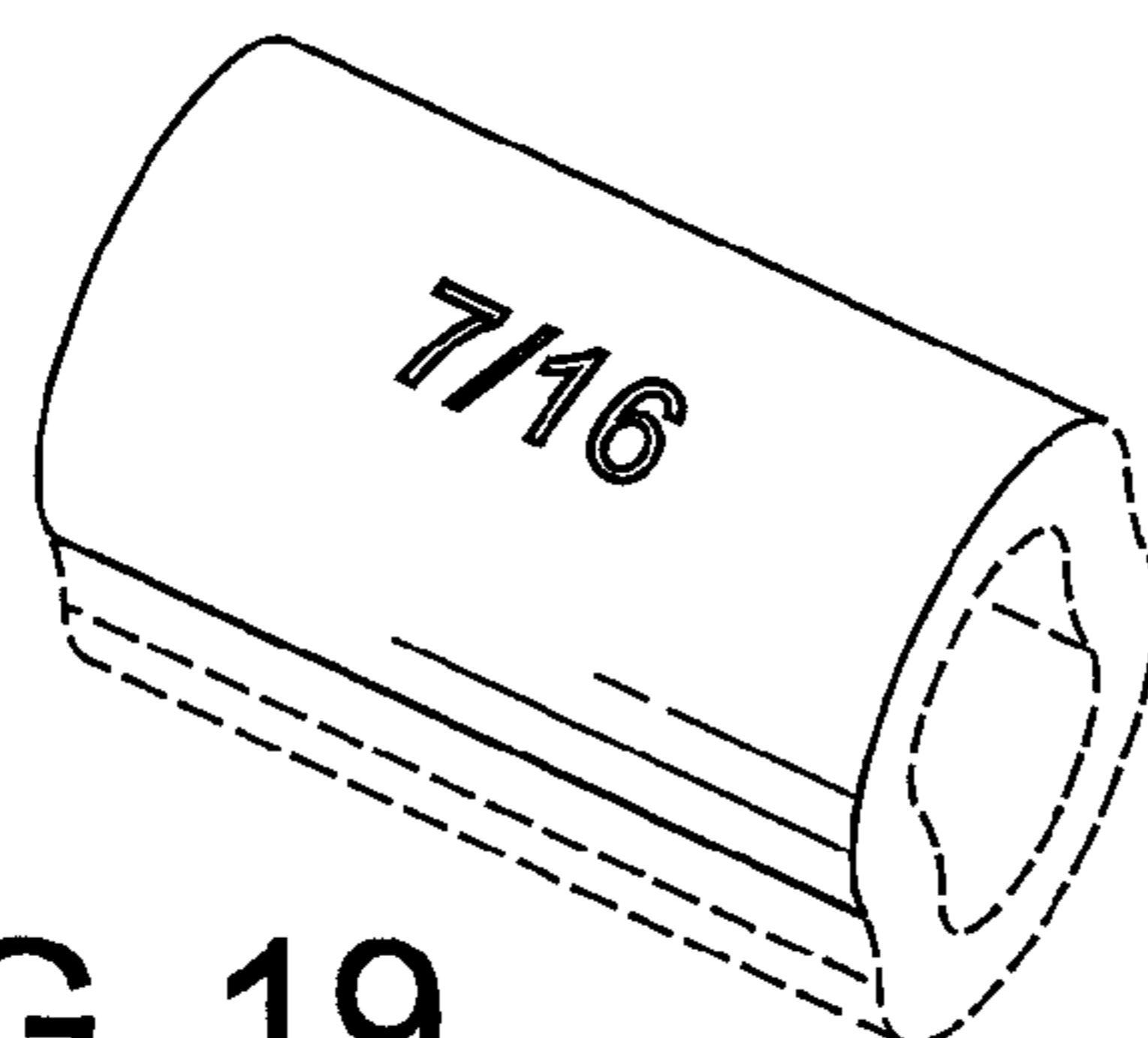


FIG. 19

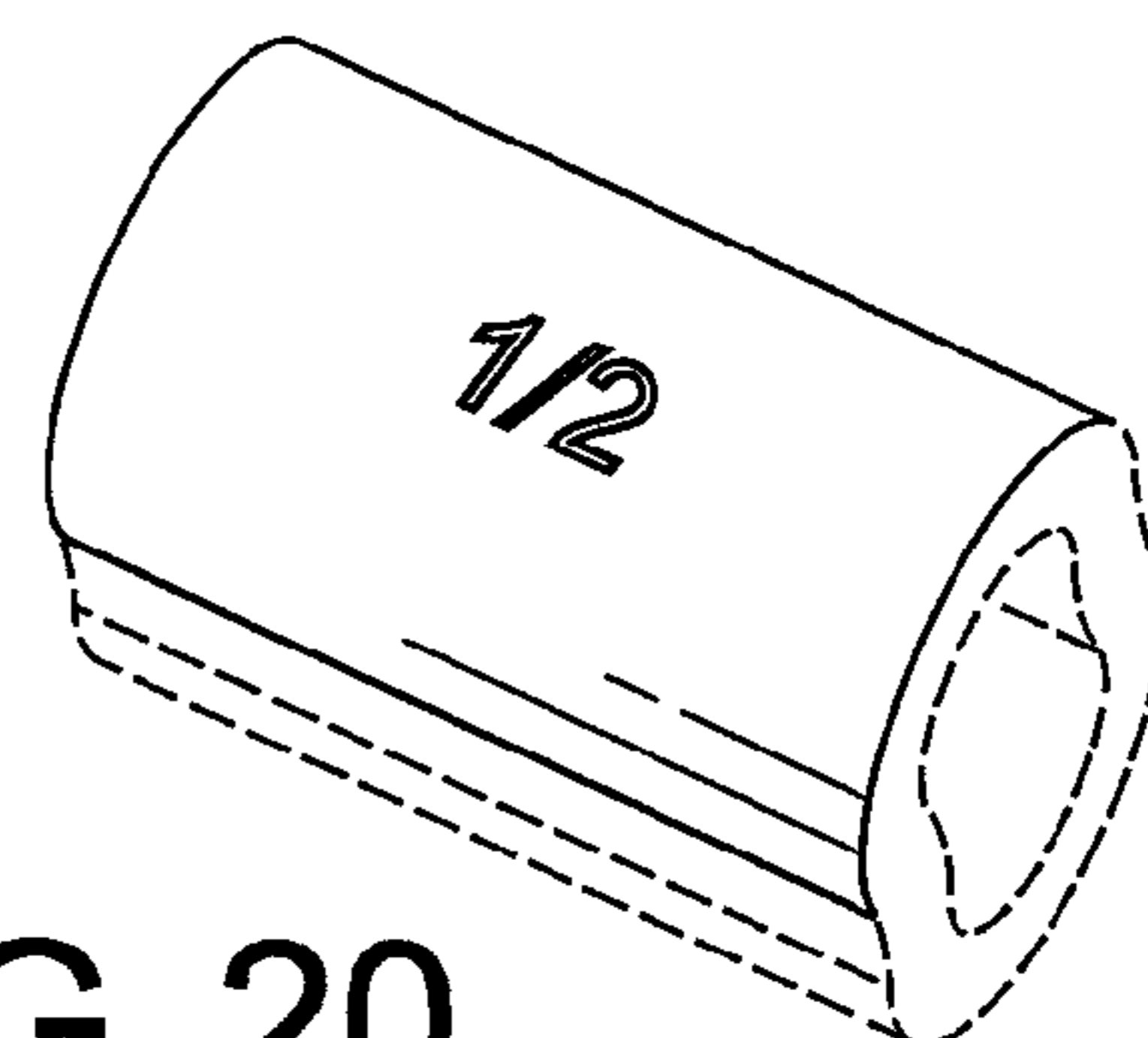


FIG. 20

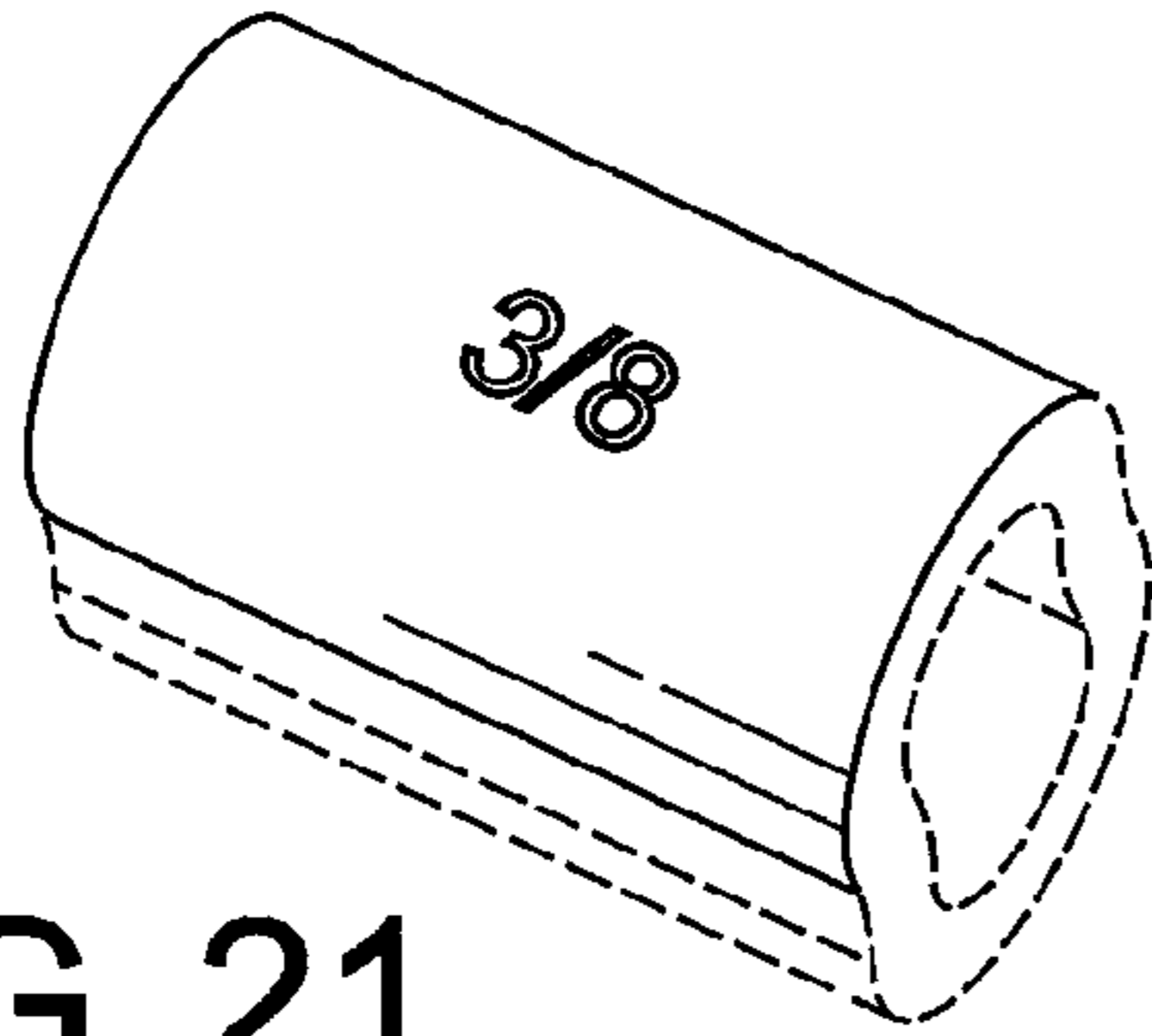


FIG. 21

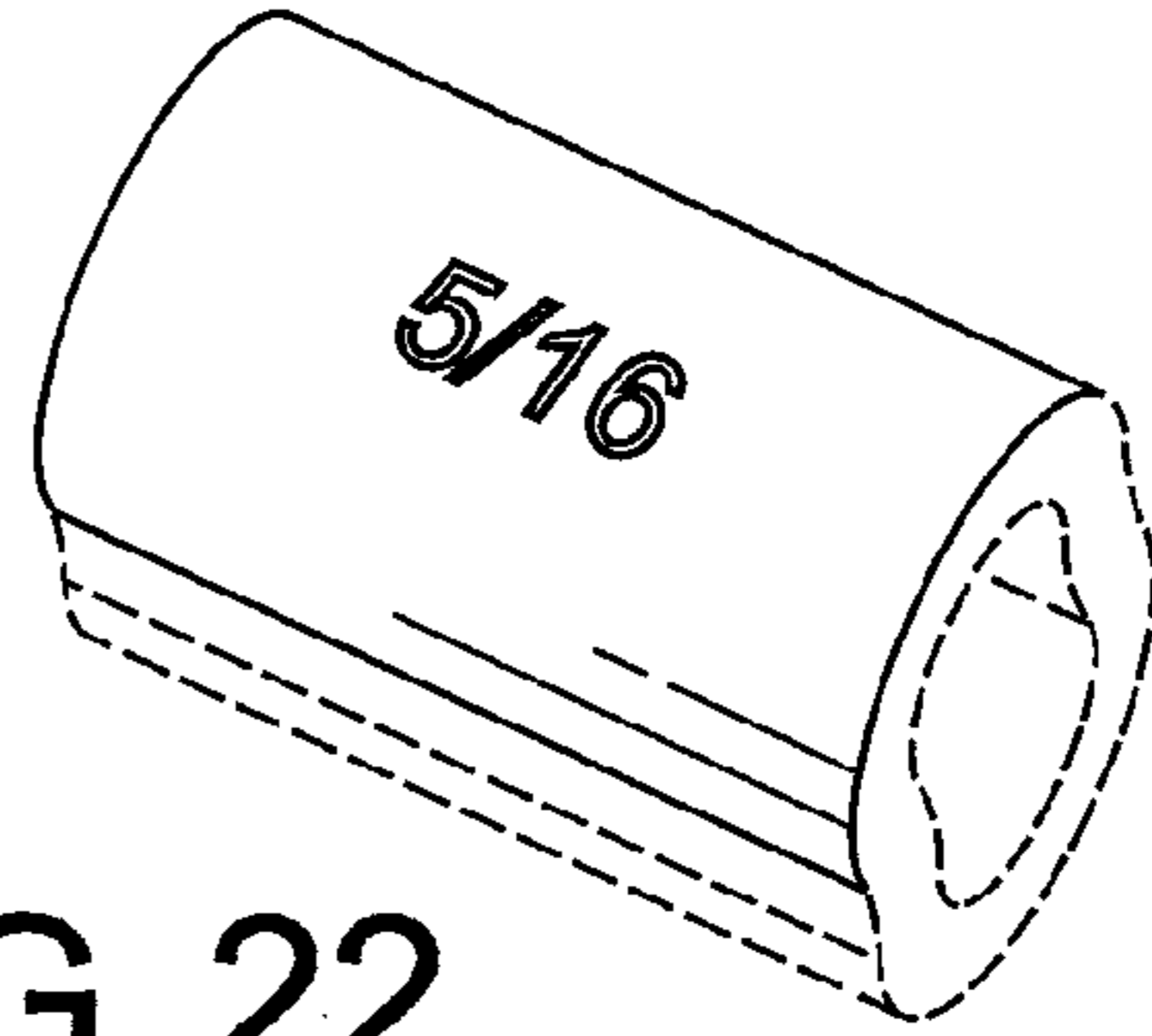


FIG. 22

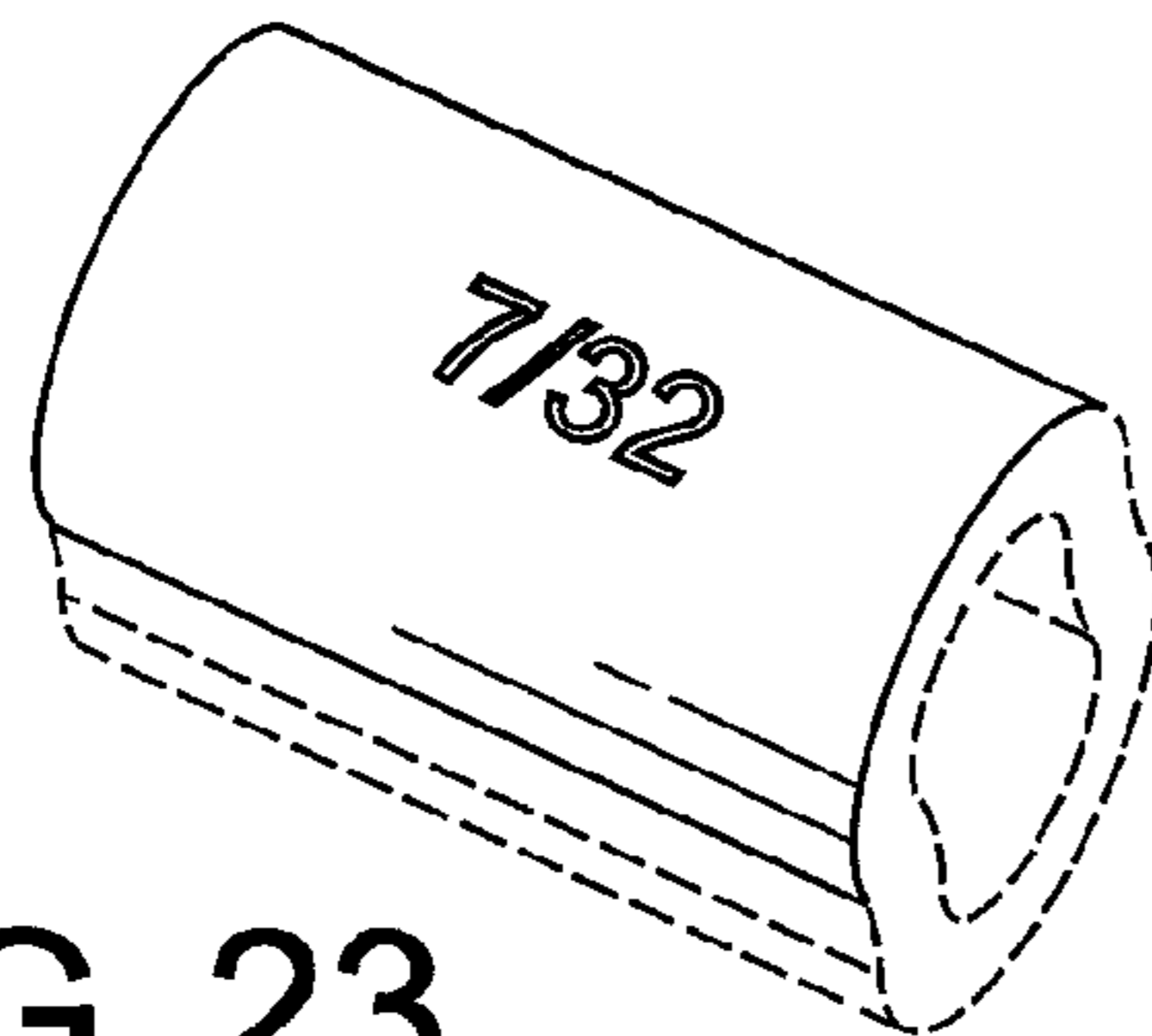


FIG. 23

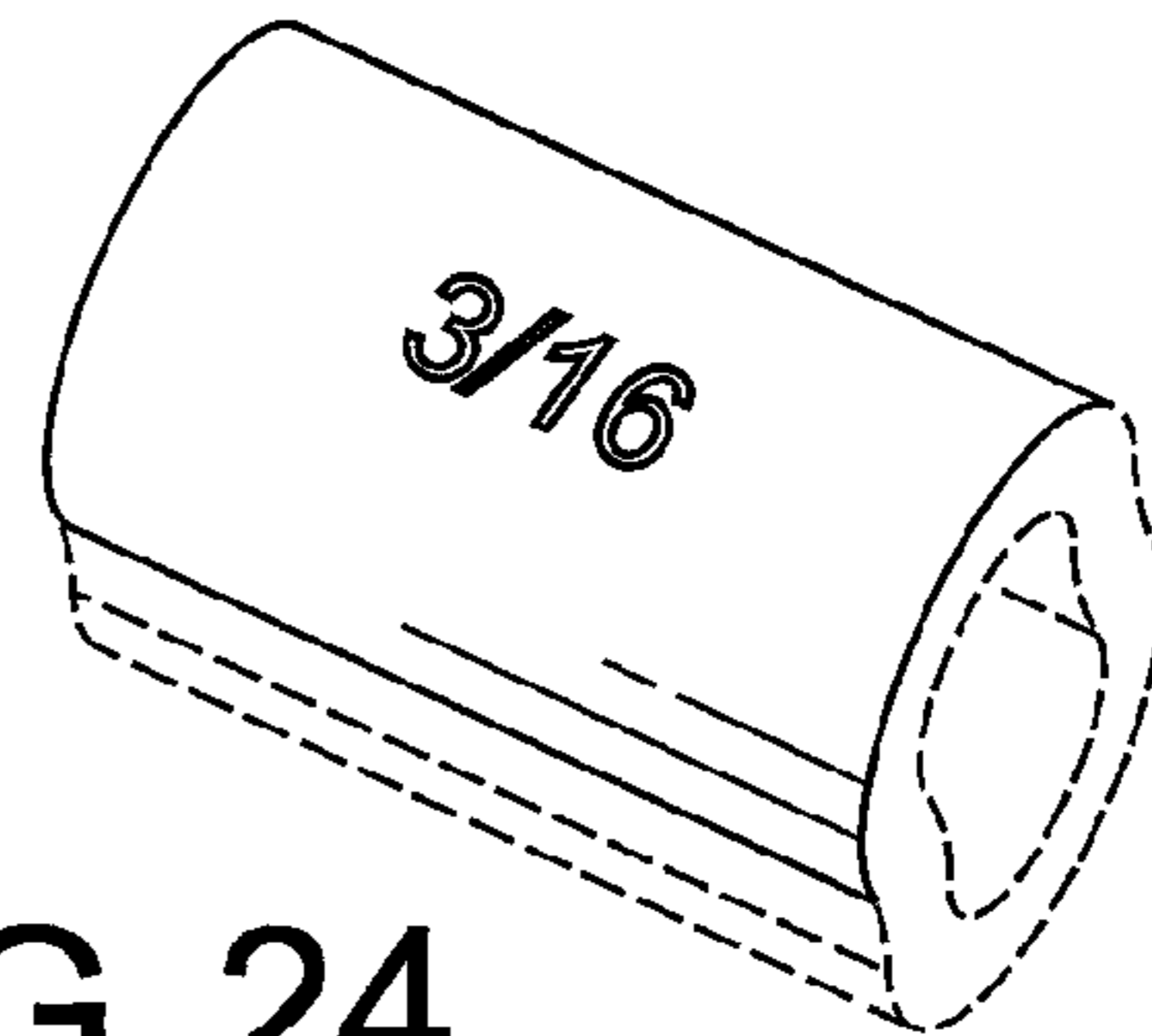


FIG. 24

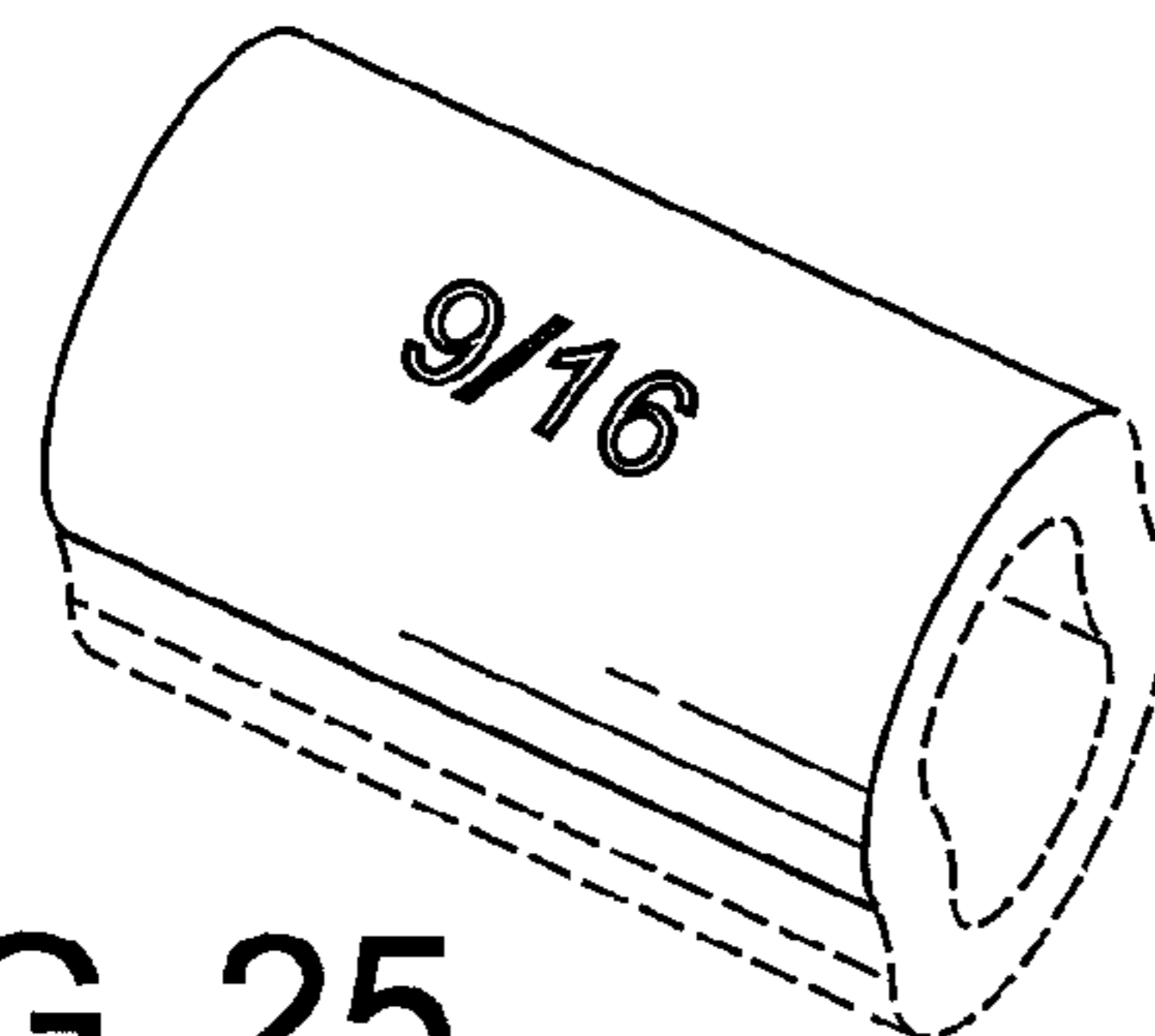


FIG. 25

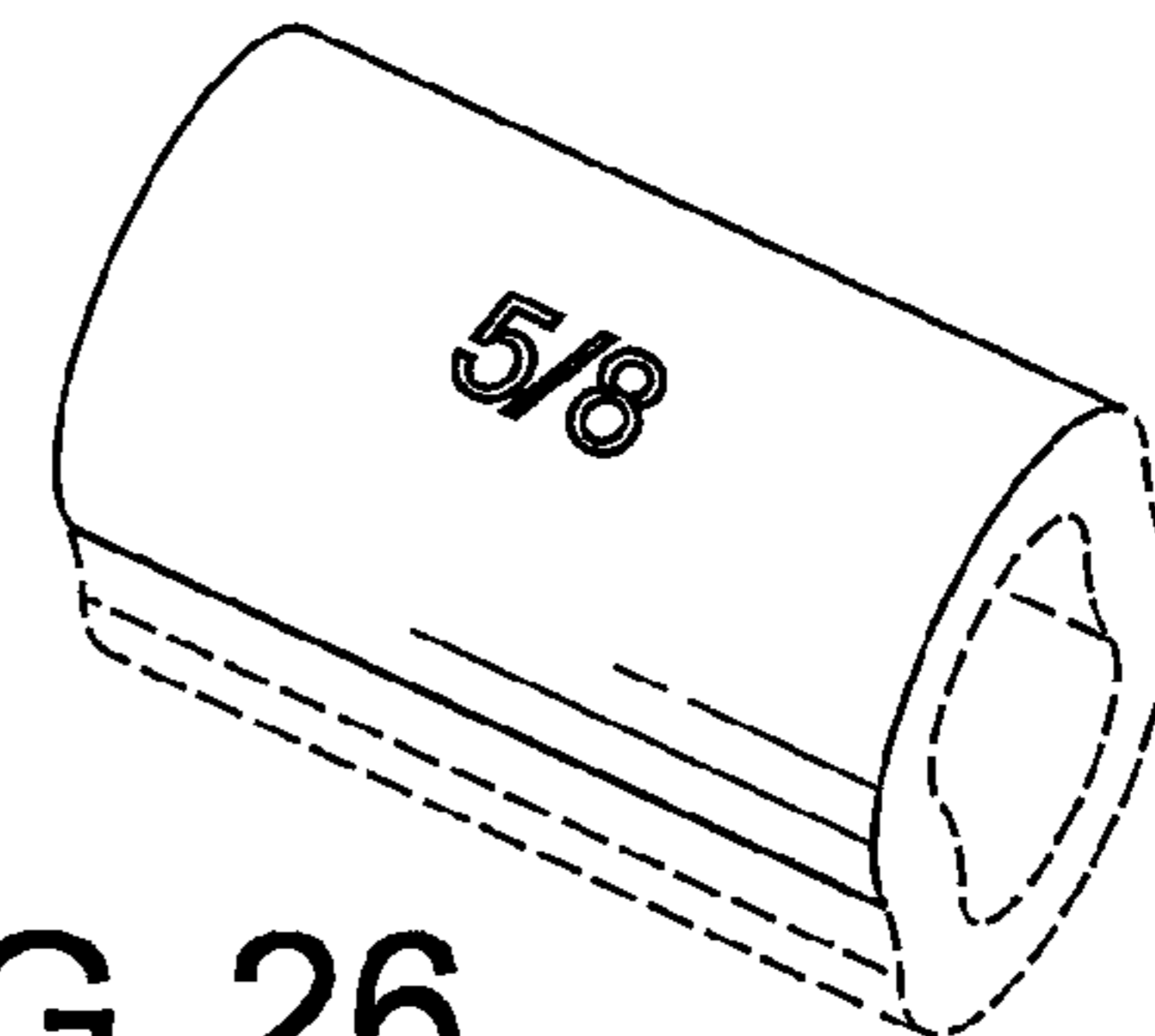


FIG. 26