



US00D747689S

(12) **United States Design Patent**
Endo et al.

(10) **Patent No.:** **US D747,689 S**
(45) **Date of Patent:** **** Jan. 19, 2016**

(54) **ELECTRIC CONNECTOR**

(71) Applicant: **DAI-ICHI SEIKO CO., LTD.**, Kyoto (JP)

(72) Inventors: **Takayoshi Endo**, Shizuoka (JP); **Sakai Yagi**, Shizuoka (JP); **Koji Hanaki**, Shizuoka (JP)

(73) Assignee: **DAI-ICHI SEIKO CO., LTD.**, Kyoto (JP)

(**) Term: **14 Years**

(21) Appl. No.: **29/480,258**

(22) Filed: **Jan. 24, 2014**

(30) **Foreign Application Priority Data**

Jul. 24, 2013	(JP)	2013-016856
Jul. 24, 2013	(JP)	2013-016858
Jul. 24, 2013	(JP)	2013-016860

(51) **LOC (10) Cl.** **13-03**

(52) **U.S. Cl.**
USPC **D13/147**

(58) **Field of Classification Search**
USPC D13/146, 147, 154, 184, 199
See application file for complete search history.

(56) **References Cited**

U.S. PATENT DOCUMENTS

D308,513	S	*	6/1990	Endo et al.	D13/147
D425,869	S	*	5/2000	Yokomizo et al.	D13/147
D463,370	S	*	9/2002	Chen	D13/147
D463,776	S	*	10/2002	Chen	D13/147
D523,399	S	*	6/2006	Sakamaki et al.	D13/147
D524,751	S	*	7/2006	Lee et al.	D13/147
D639,746	S	*	6/2011	Lee et al.	D13/147
D640,634	S	*	6/2011	Lee et al.	D13/147
D718,246	S	*	11/2014	Endo et al.	D13/147
D719,098	S	*	12/2014	Endo et al.	D13/147

* cited by examiner

Primary Examiner — Daniel Bui

(74) *Attorney, Agent, or Firm* — Wenderoth, Lind & Ponack, L.L.P.

(57) **CLAIM**

The ornamental design for an electric connector, as shown and described.

DESCRIPTION

FIG. 1 is a front, top, and right side perspective view of a first embodiment of an electric connector showing our new design;

FIG. 2 is a front, bottom, and right side perspective view thereof;

FIG. 3 is a front elevation view thereof;

FIG. 4 is a rear elevation view thereof;

FIG. 5 is a top plan view thereof;

FIG. 6 is a bottom plan view thereof;

FIG. 7 is a right side elevation view thereof;

FIG. 8 is a left side elevation view thereof; and

FIG. 9 is a front, top, and right side perspective view thereof, in use condition.

FIG. 10 is a front, top, and right side perspective view of a second embodiment of an electric connector showing our new design;

FIG. 11 is a front, bottom, and right side perspective view thereof;

FIG. 12 is a front elevation view thereof;

FIG. 13 is a rear elevation view thereof;

FIG. 14 is a top plan view thereof;

FIG. 15 is a bottom plan view thereof;

FIG. 16 is a right side elevation view thereof;

FIG. 17 is a left side elevation view thereof; and,

FIG. 18 is a front, top, and right side perspective view thereof, in use condition.

The broken lines shown in the drawings are included for the purpose of illustrating unclaimed environment only, and form no part of the claimed design.

1 Claim, 14 Drawing Sheets

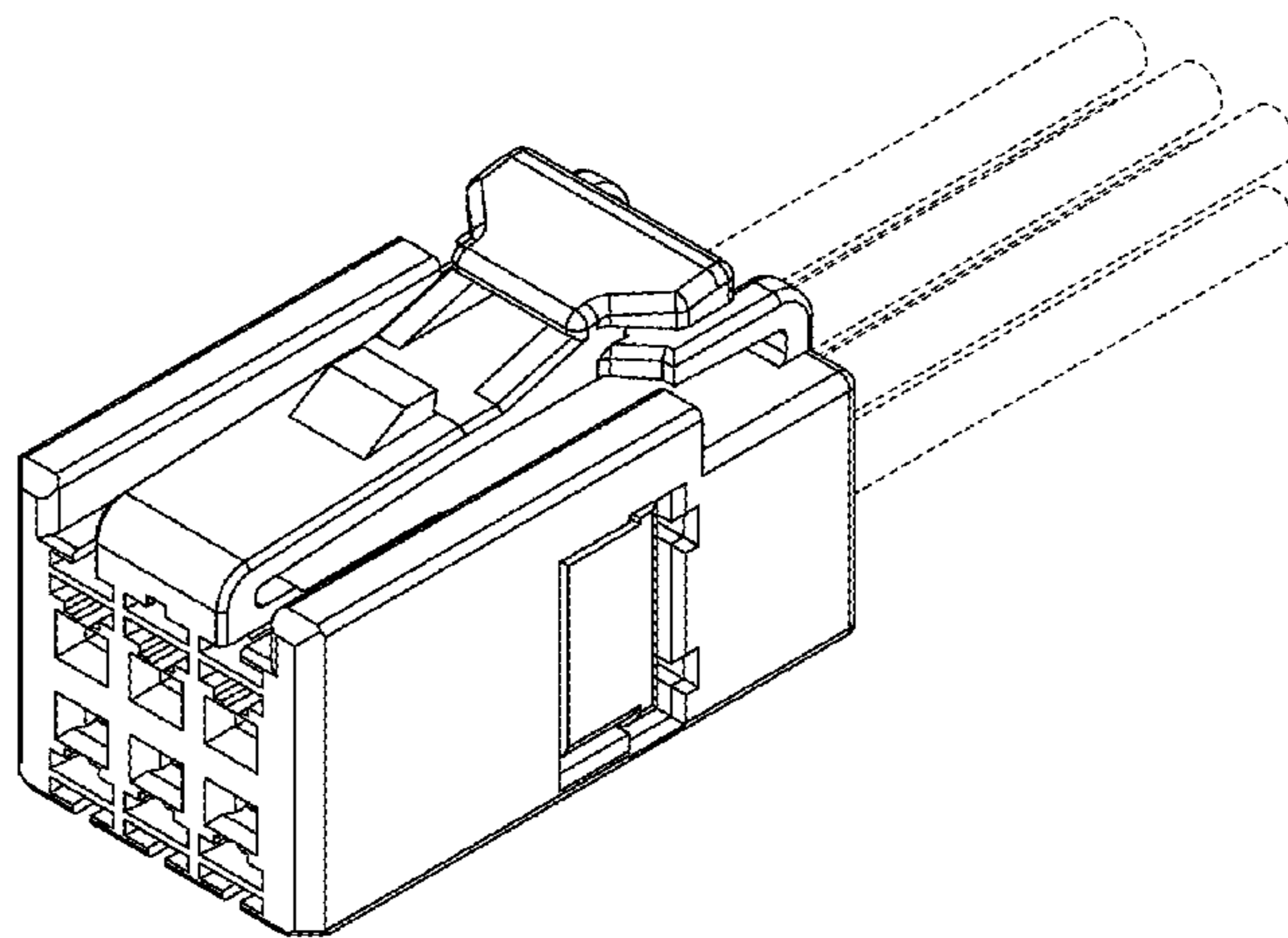
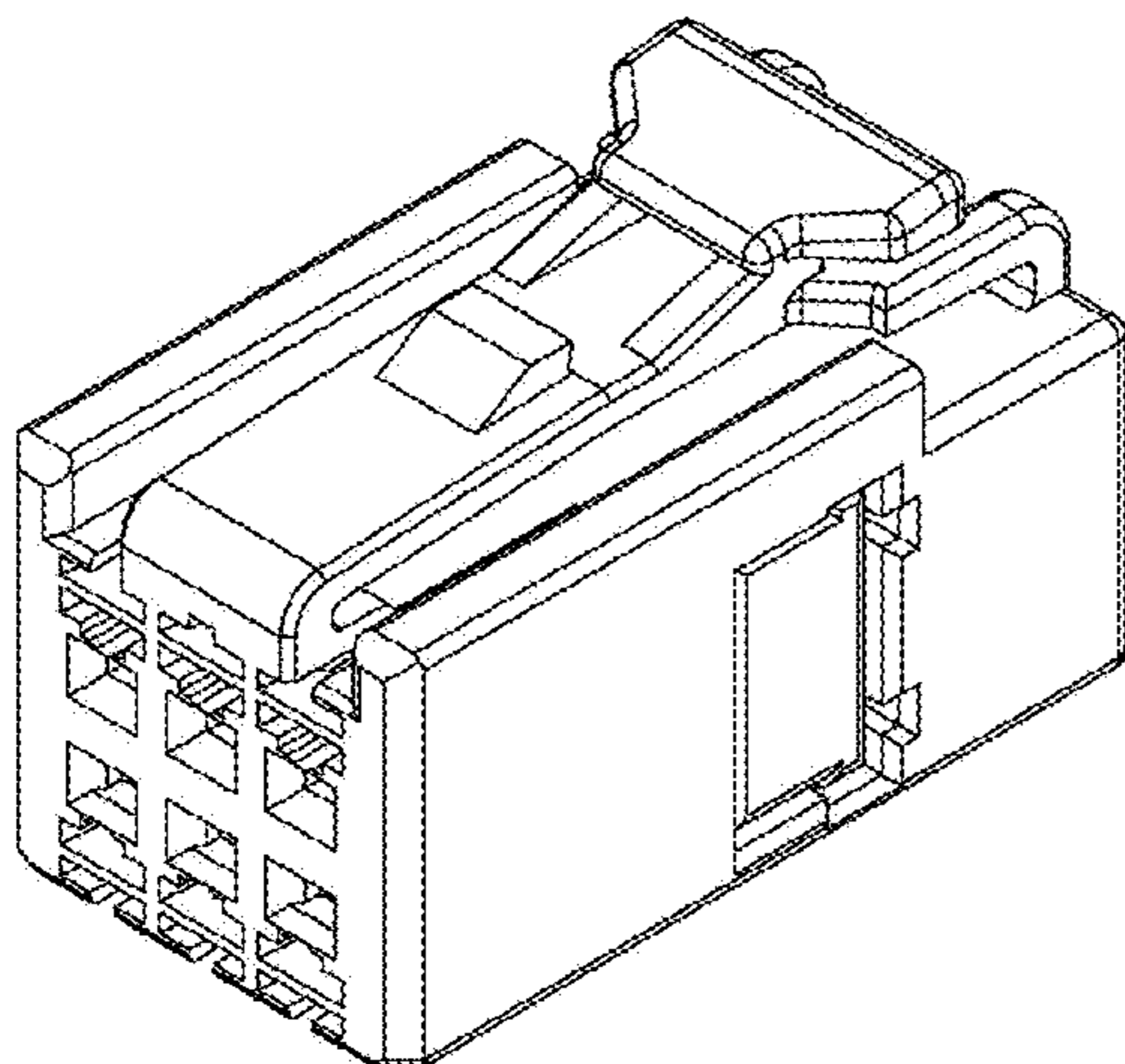


FIG. 1

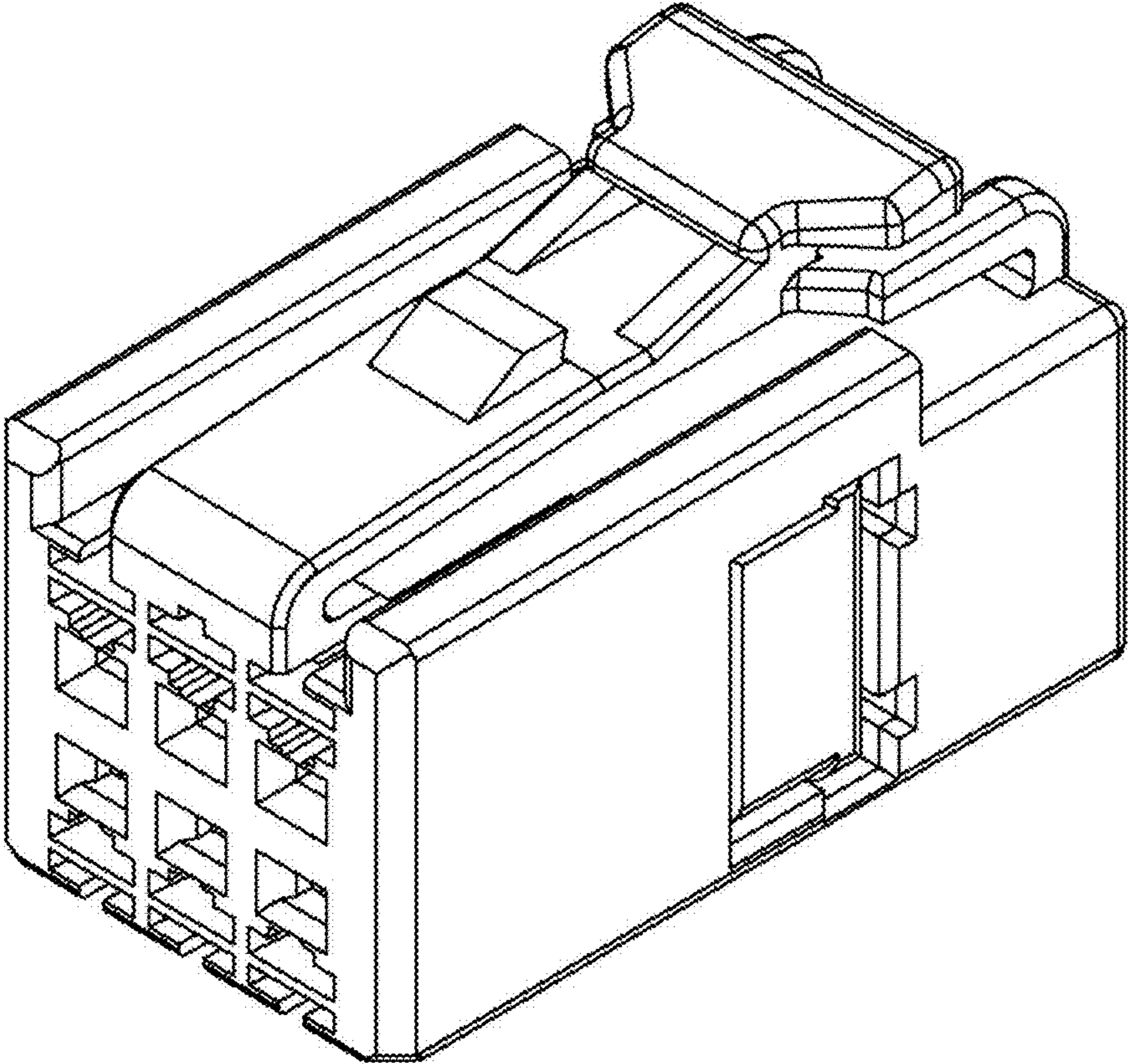


FIG. 2

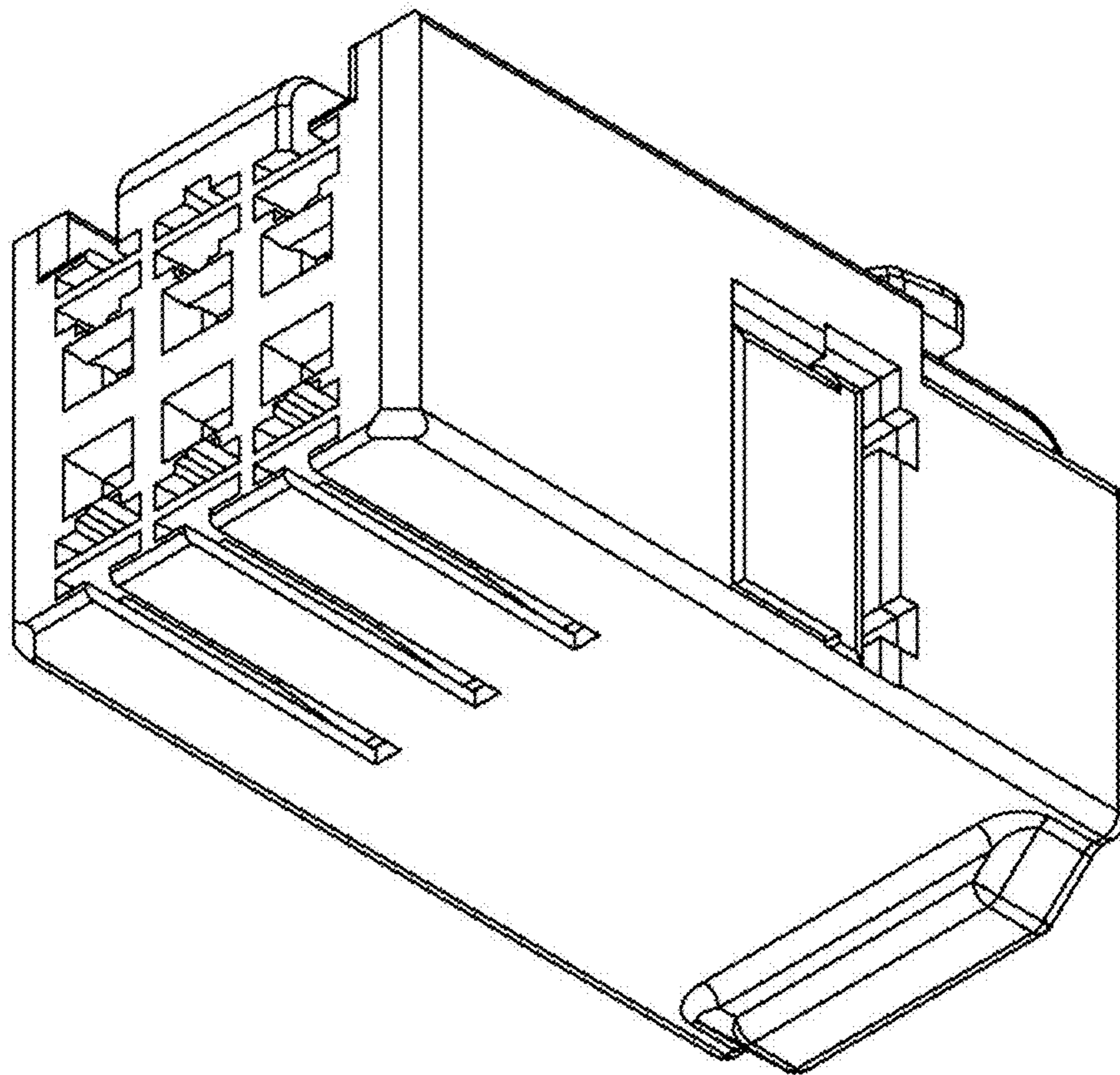


FIG. 3

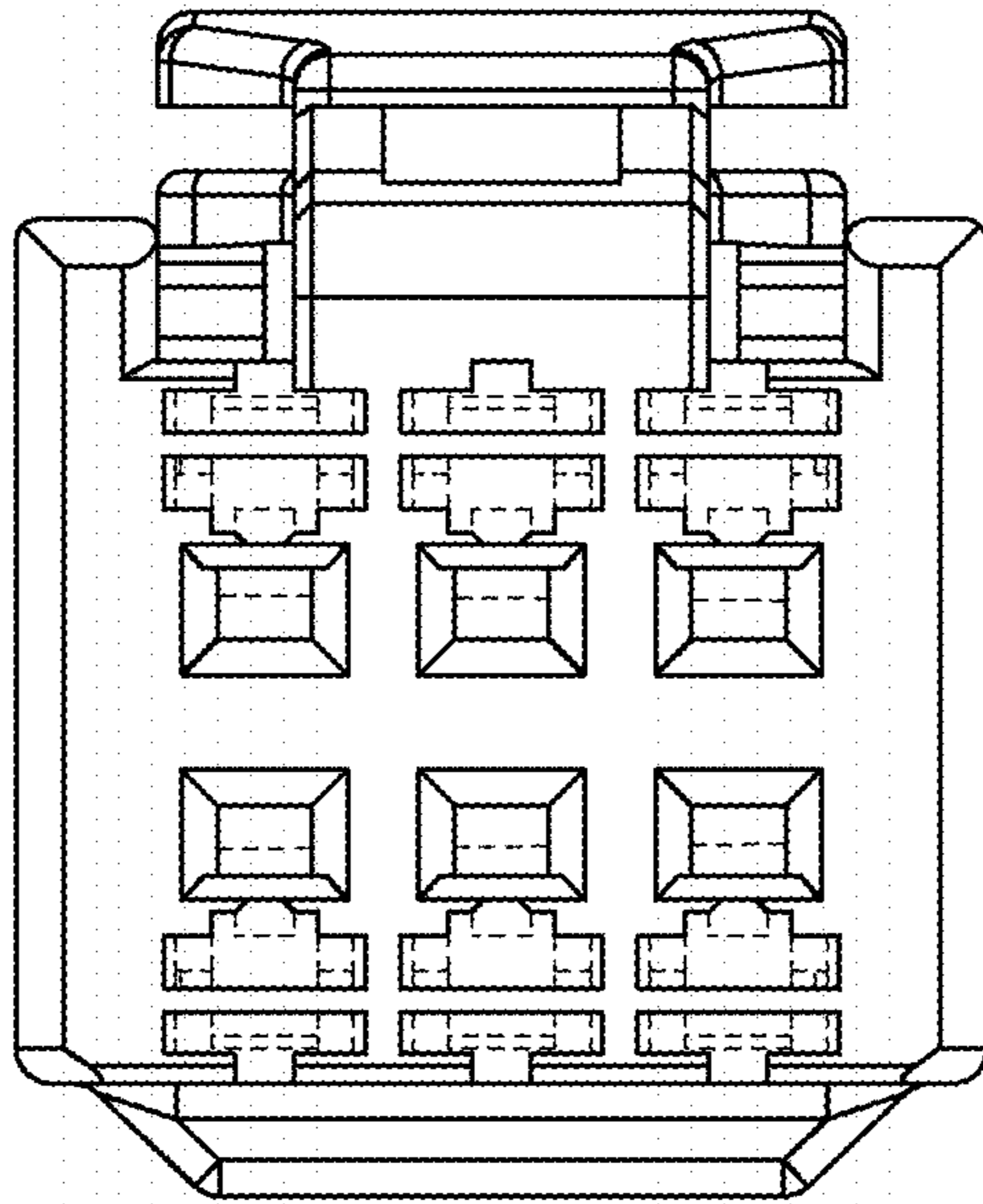


FIG. 4

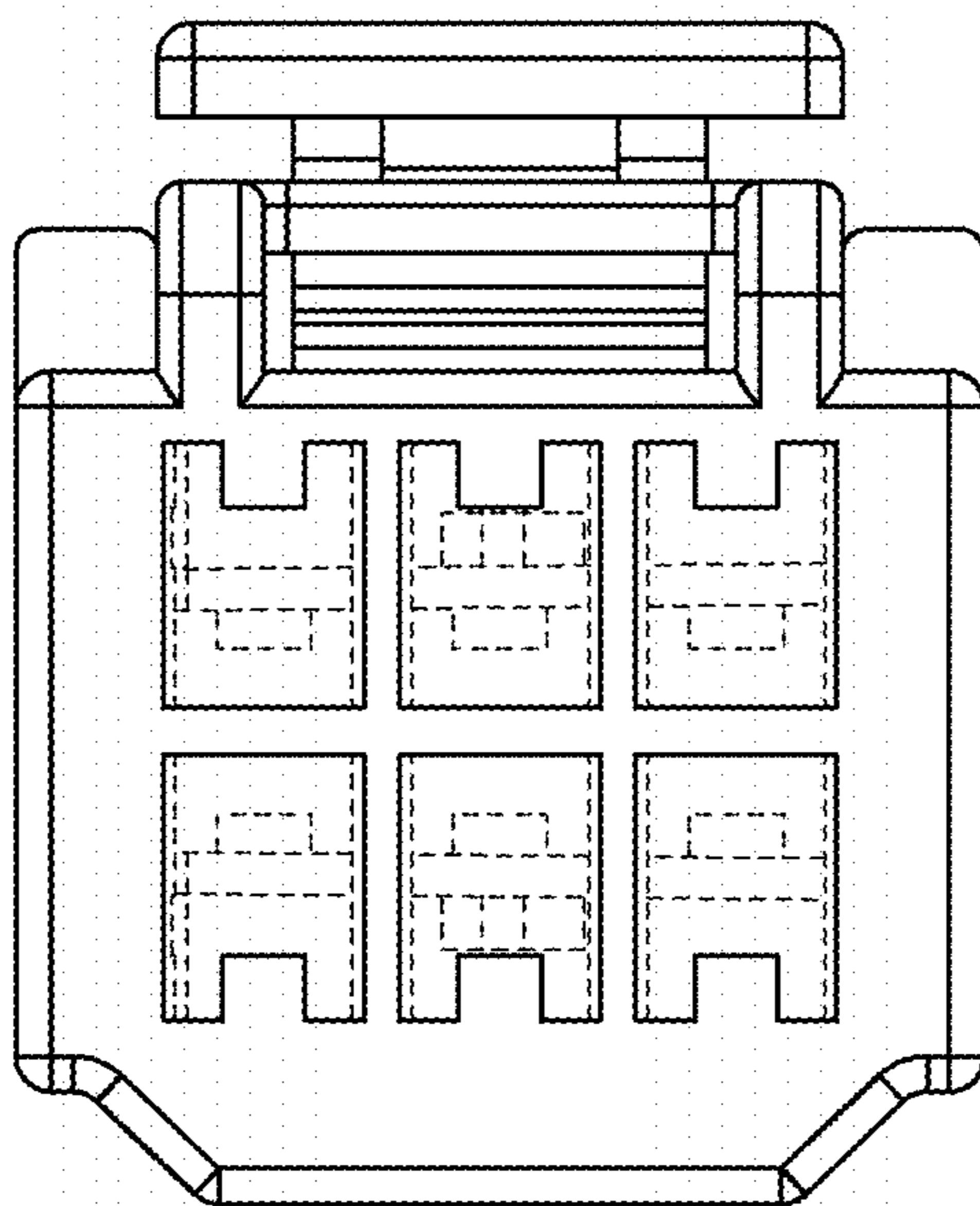


FIG. 5

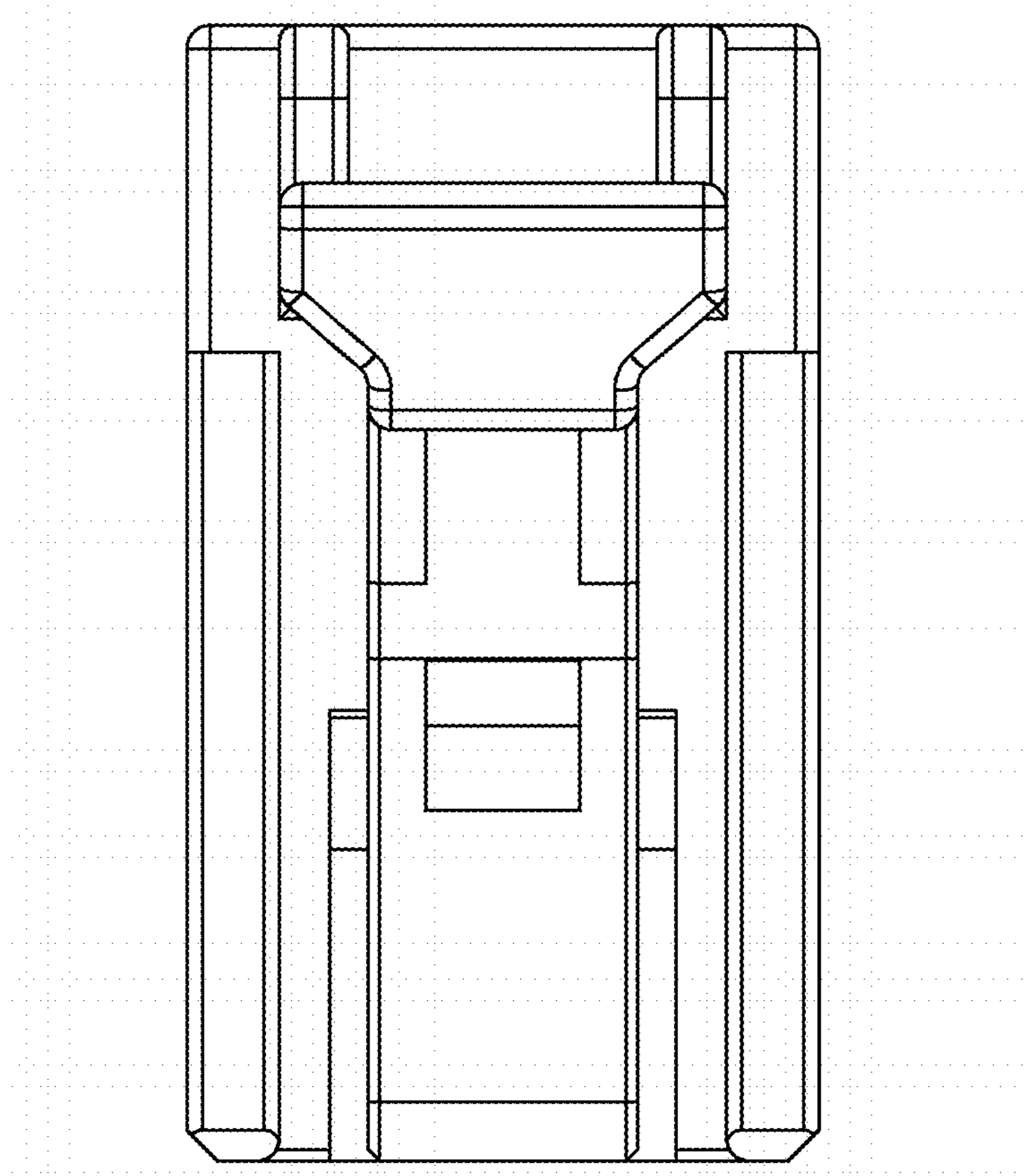


FIG. 6

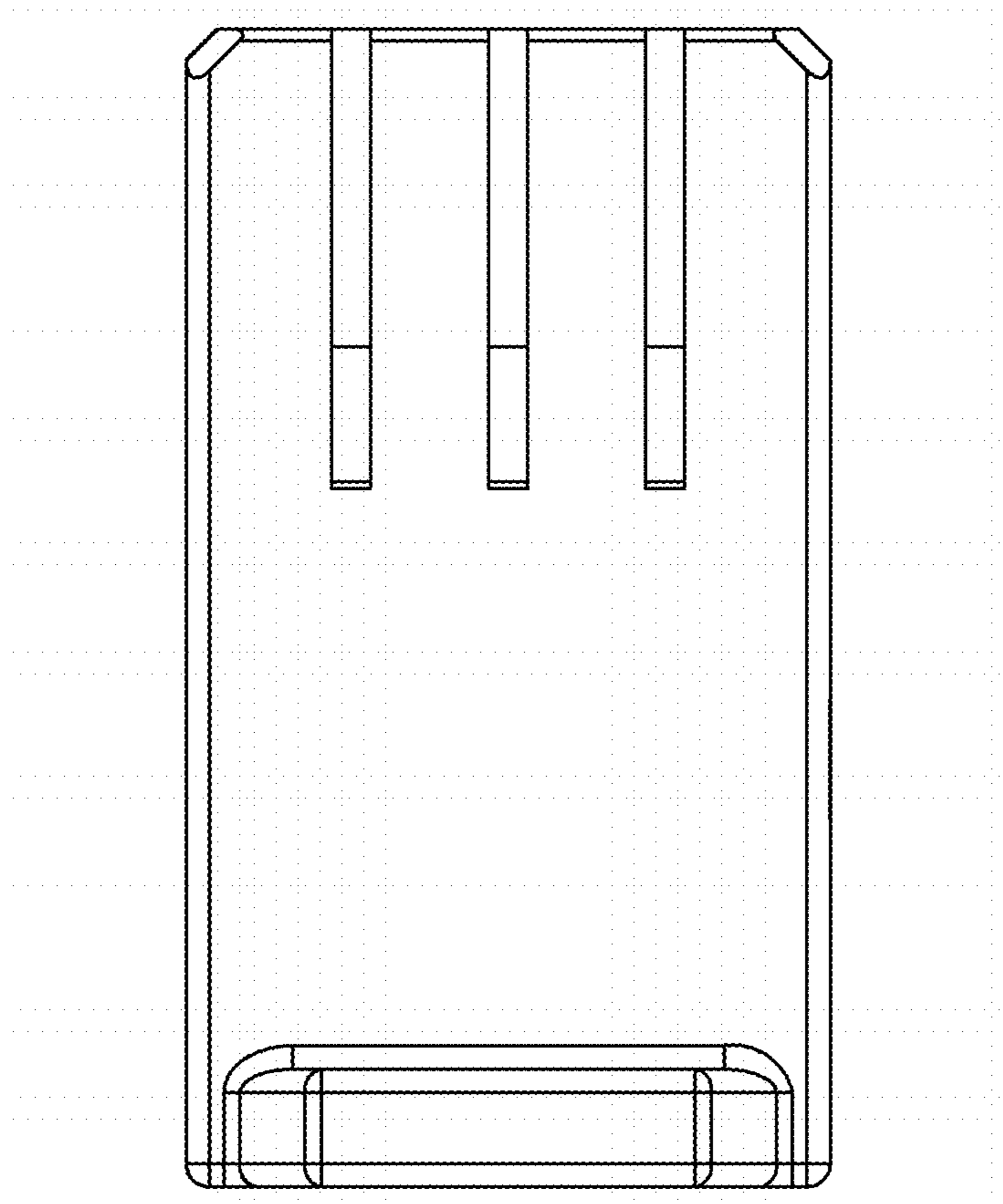


FIG. 7

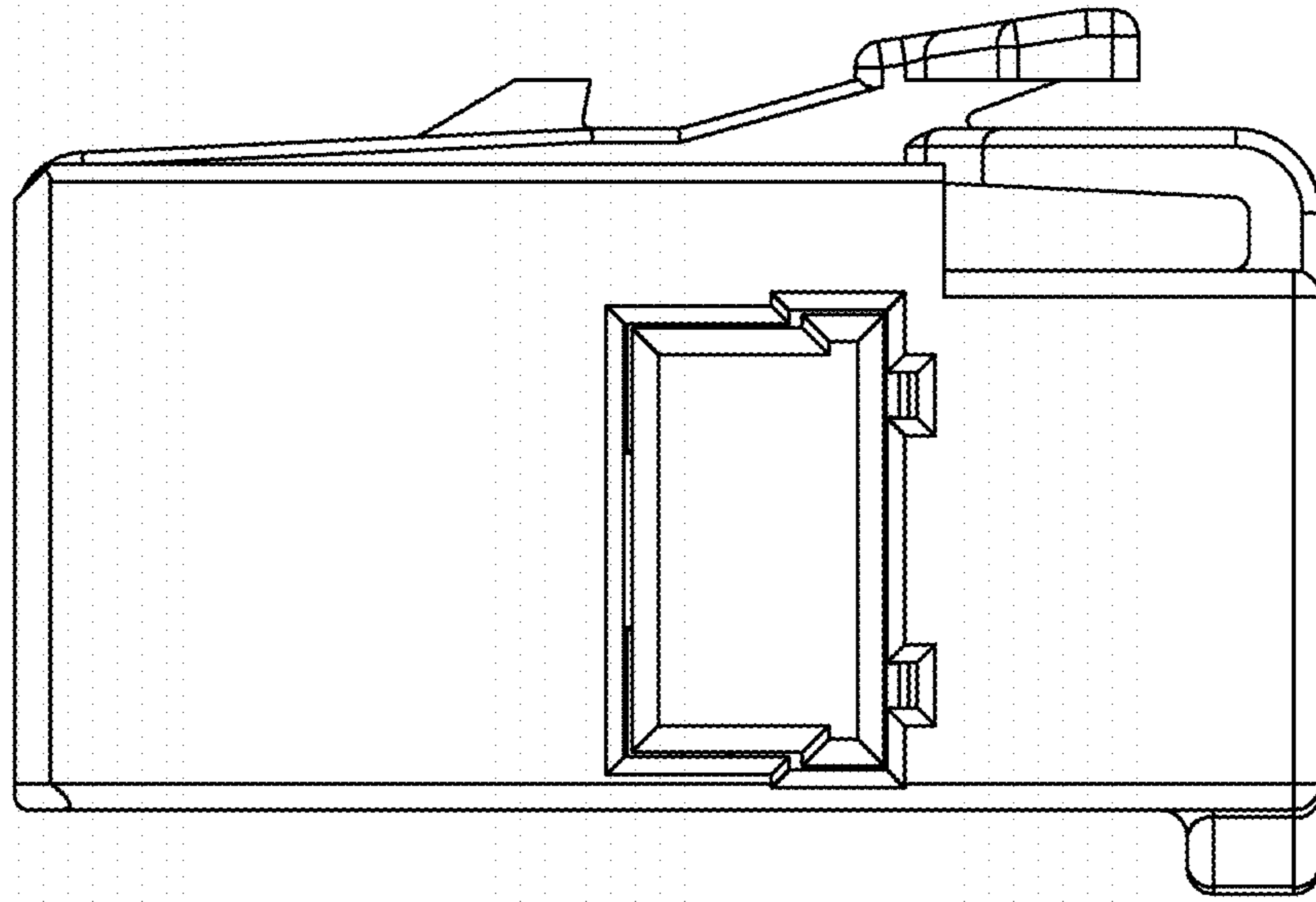


FIG. 8

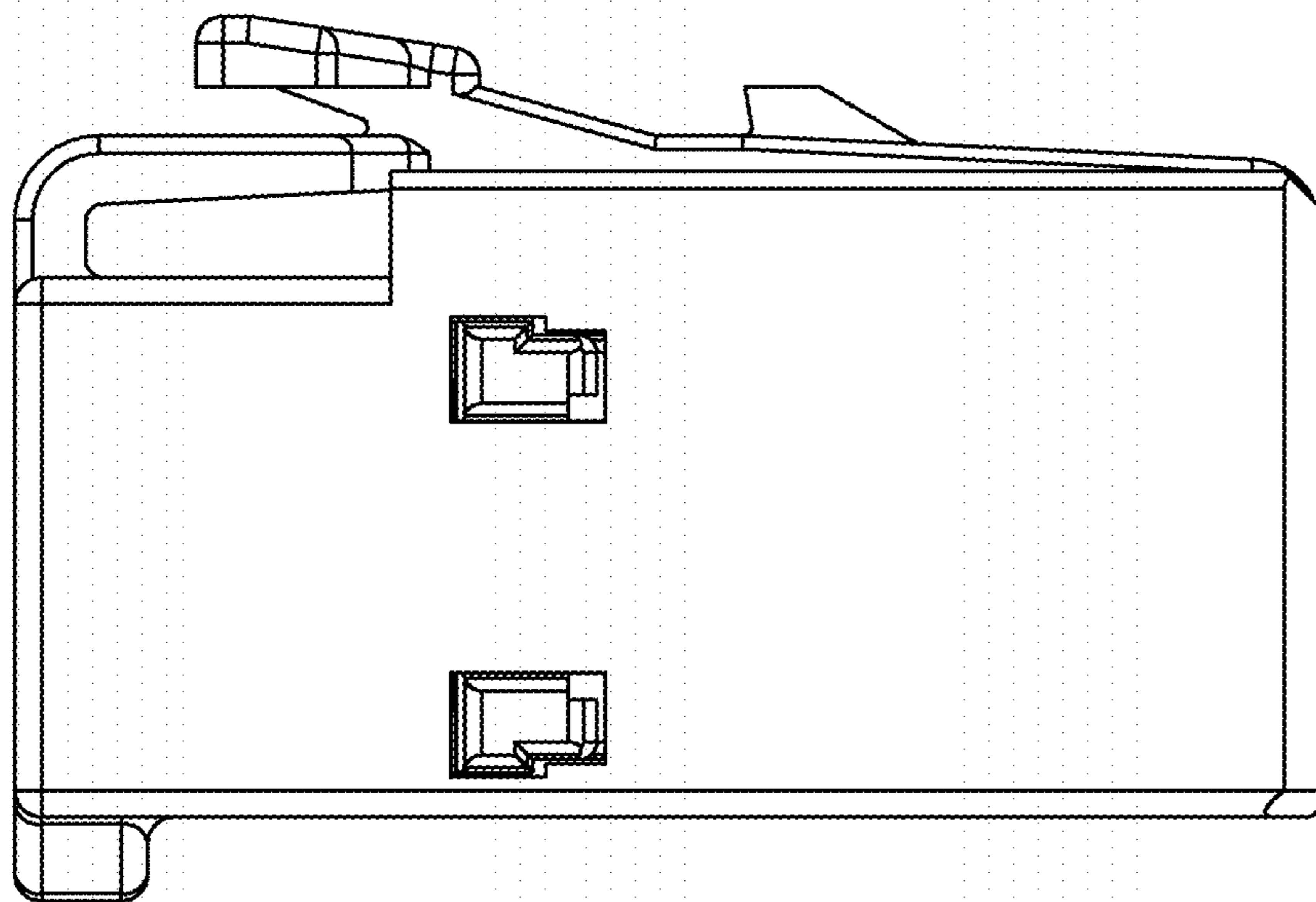


FIG. 9

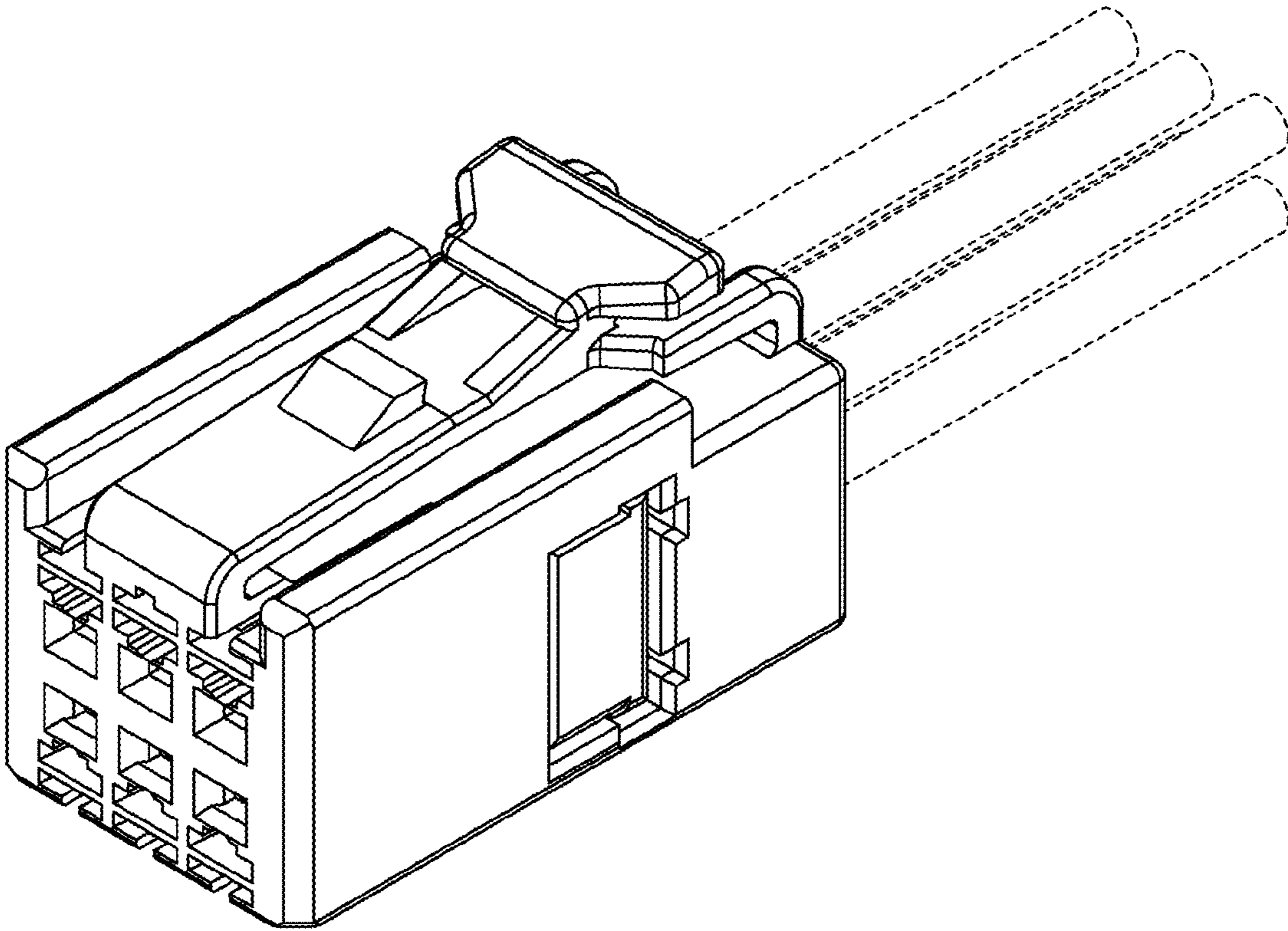


FIG. 10

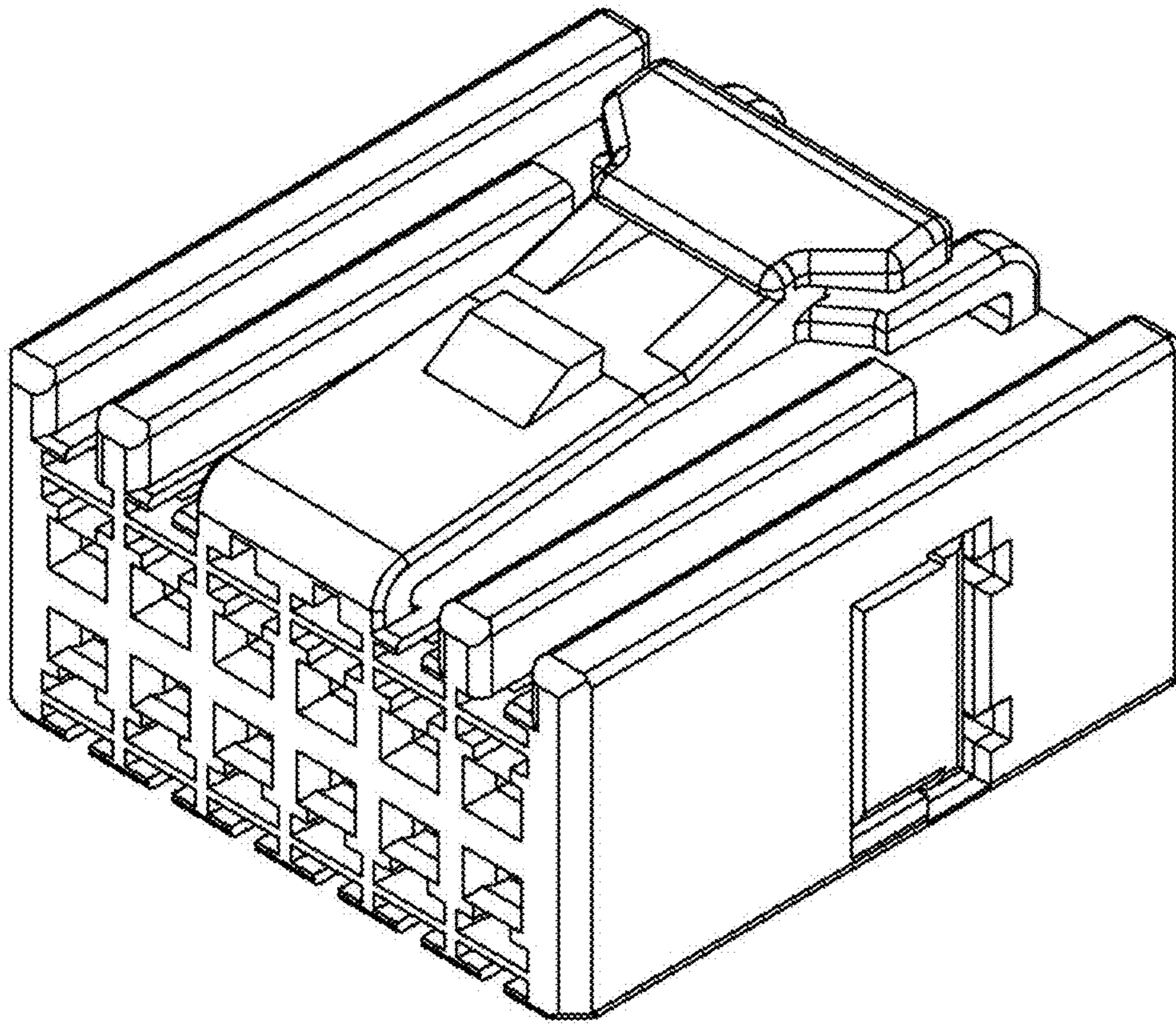


FIG. 11

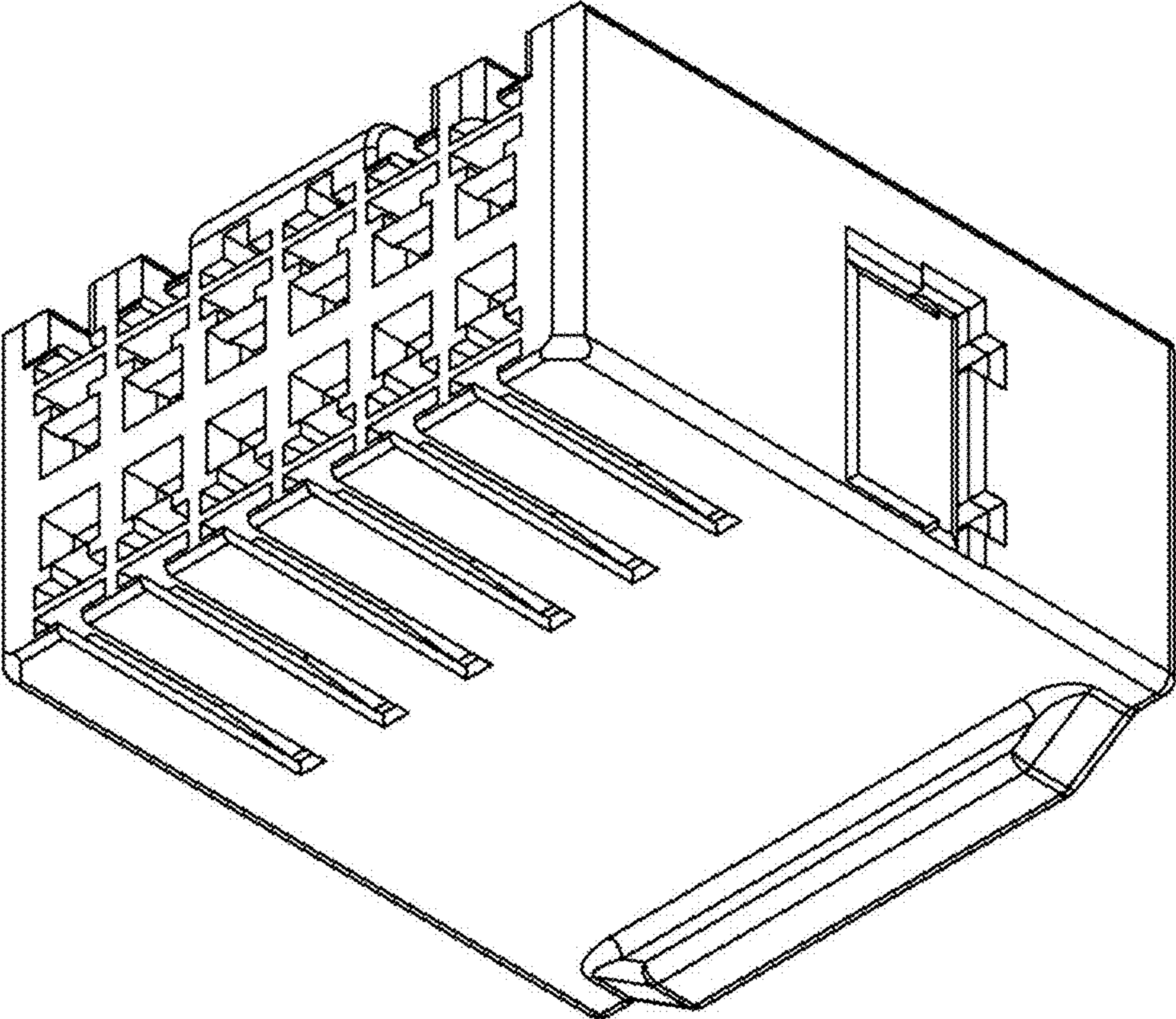


FIG. 12

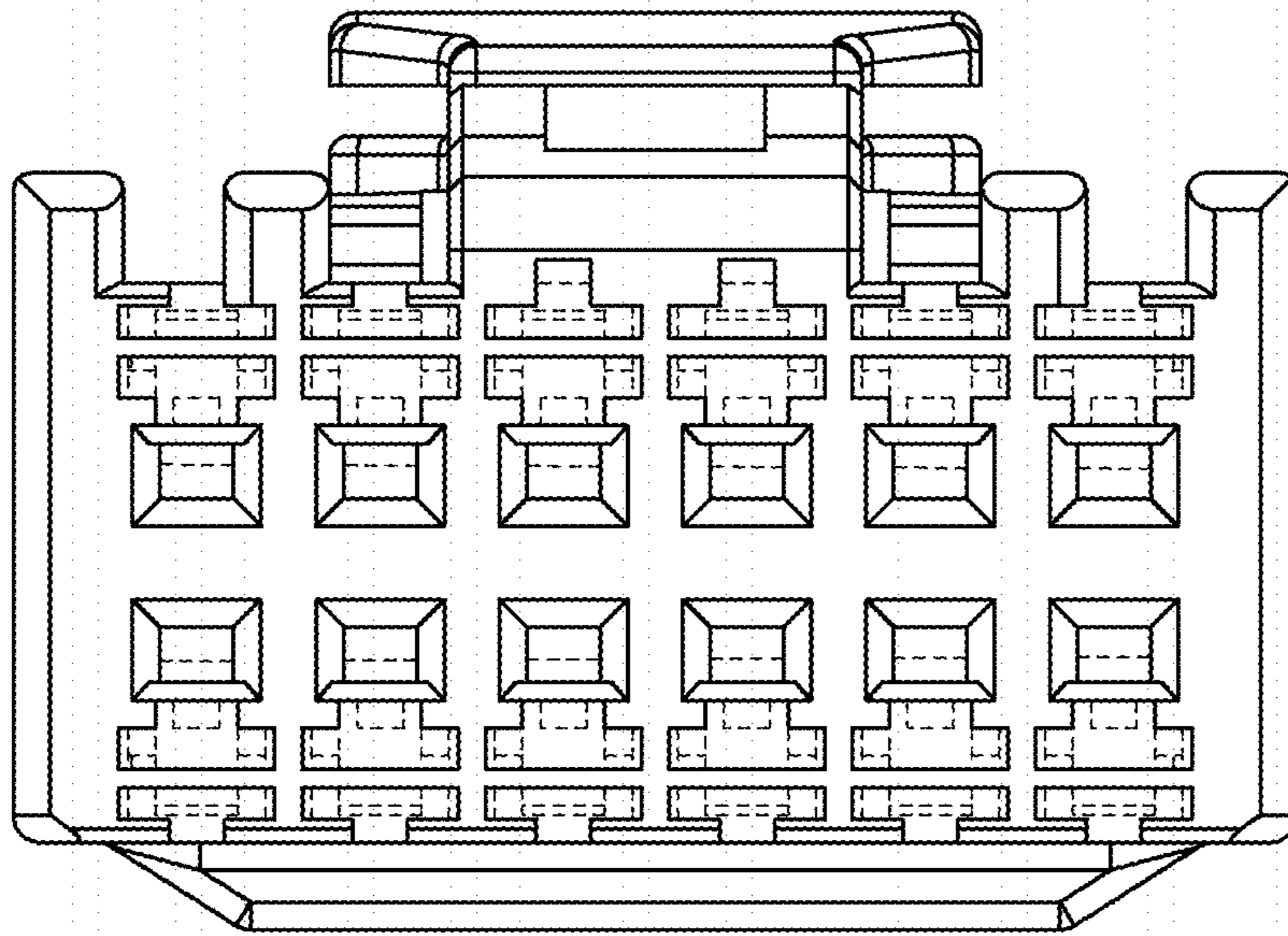


FIG. 13

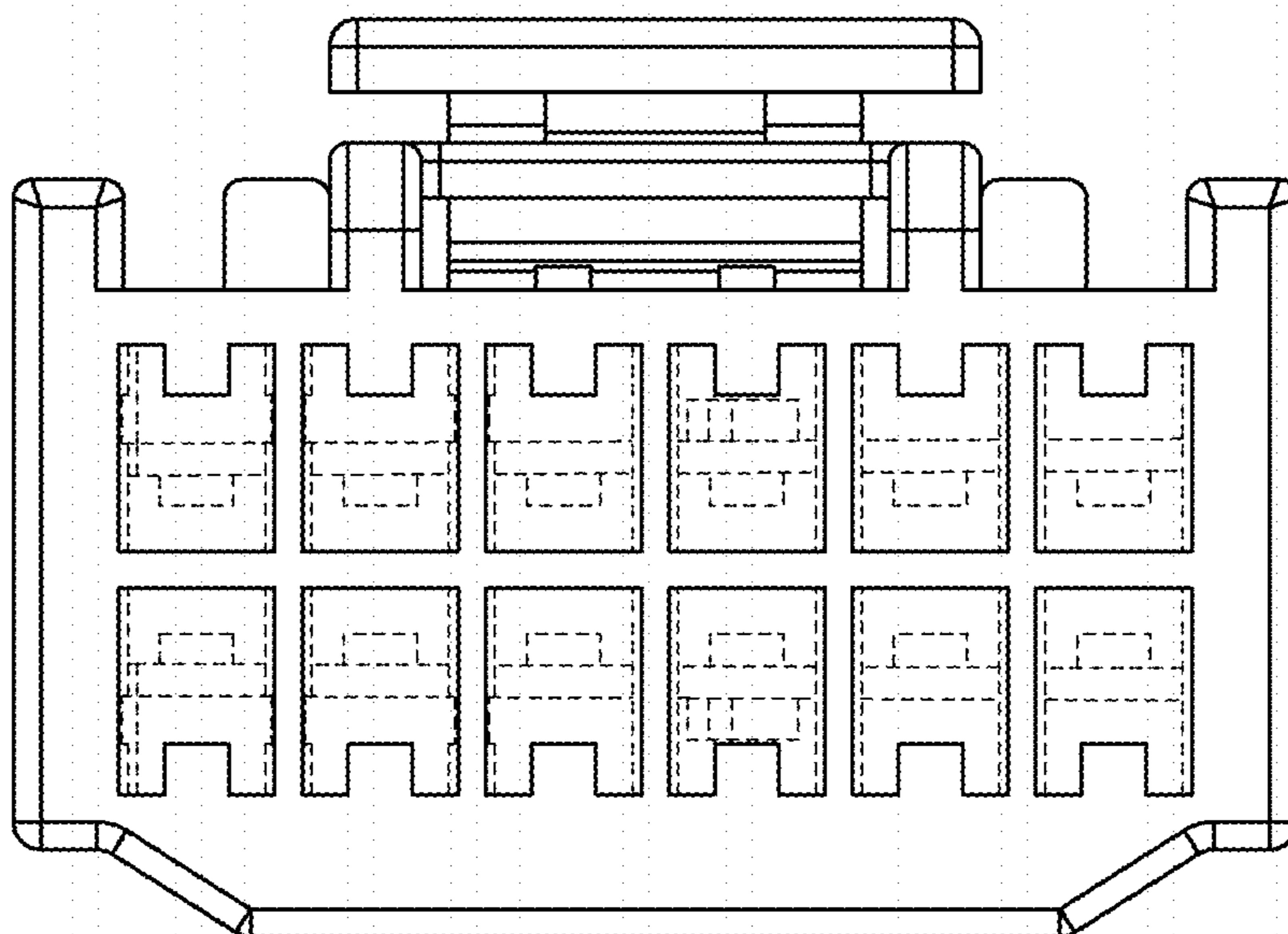


FIG. 14

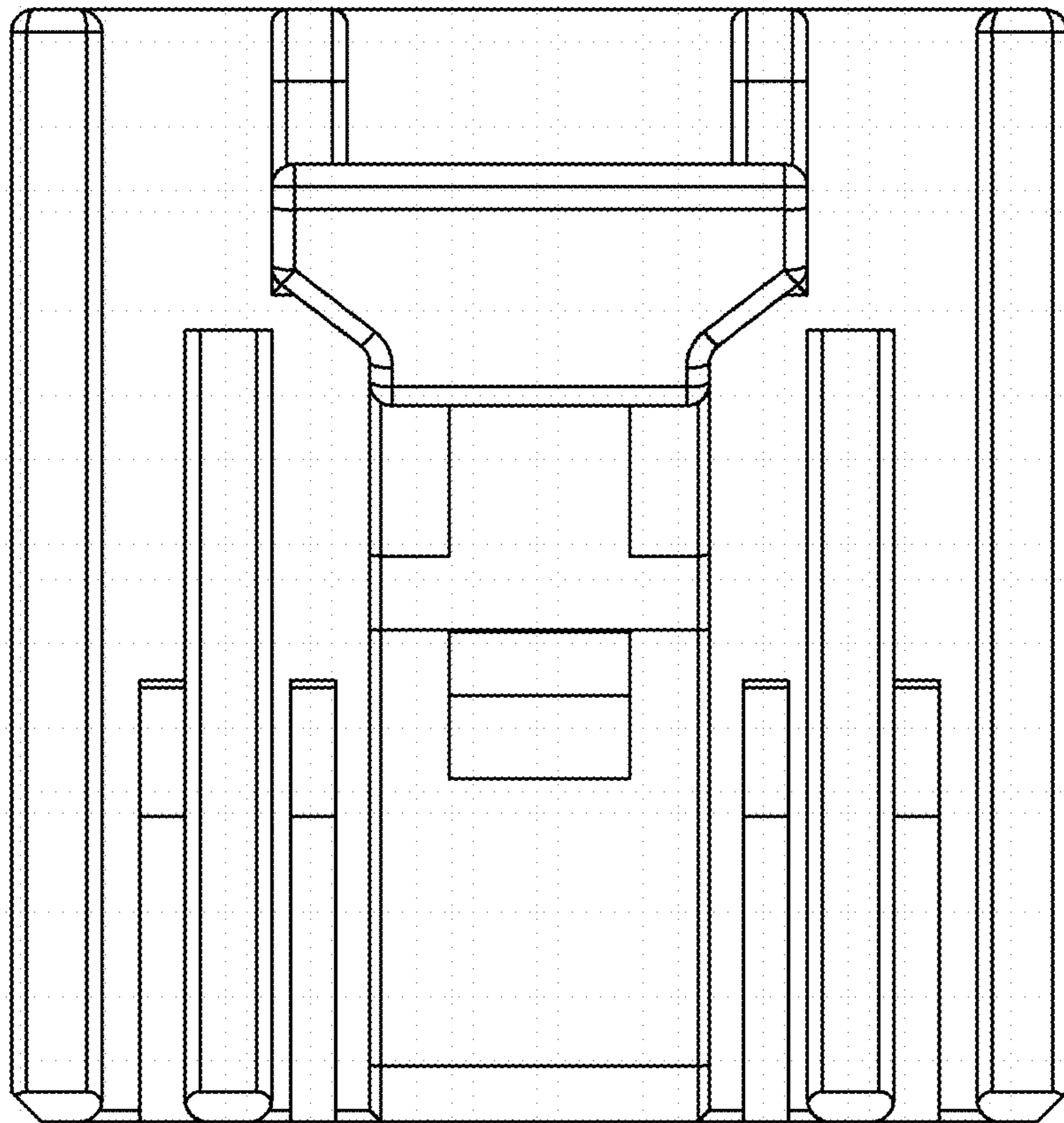


FIG. 15

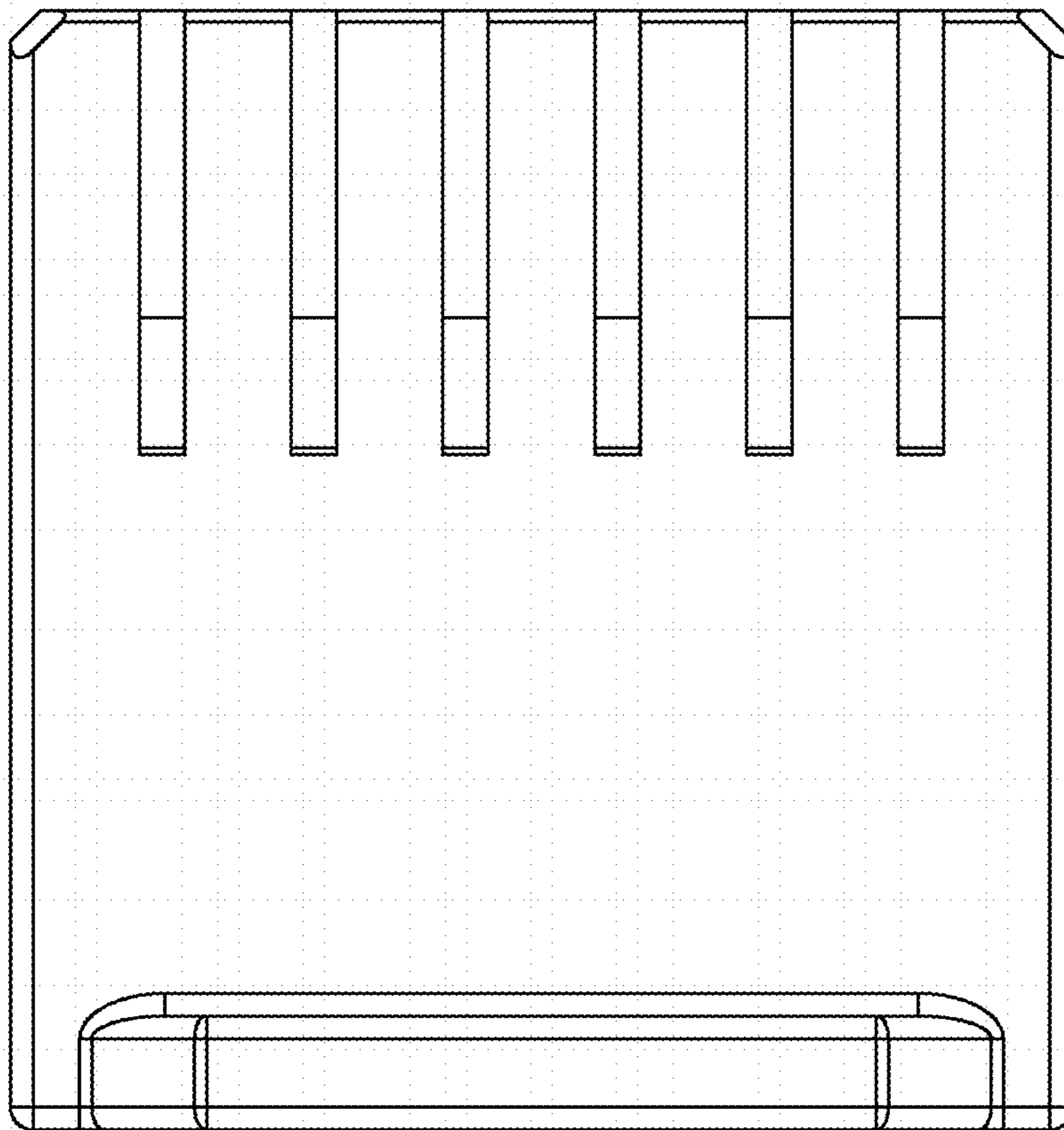


FIG. 16

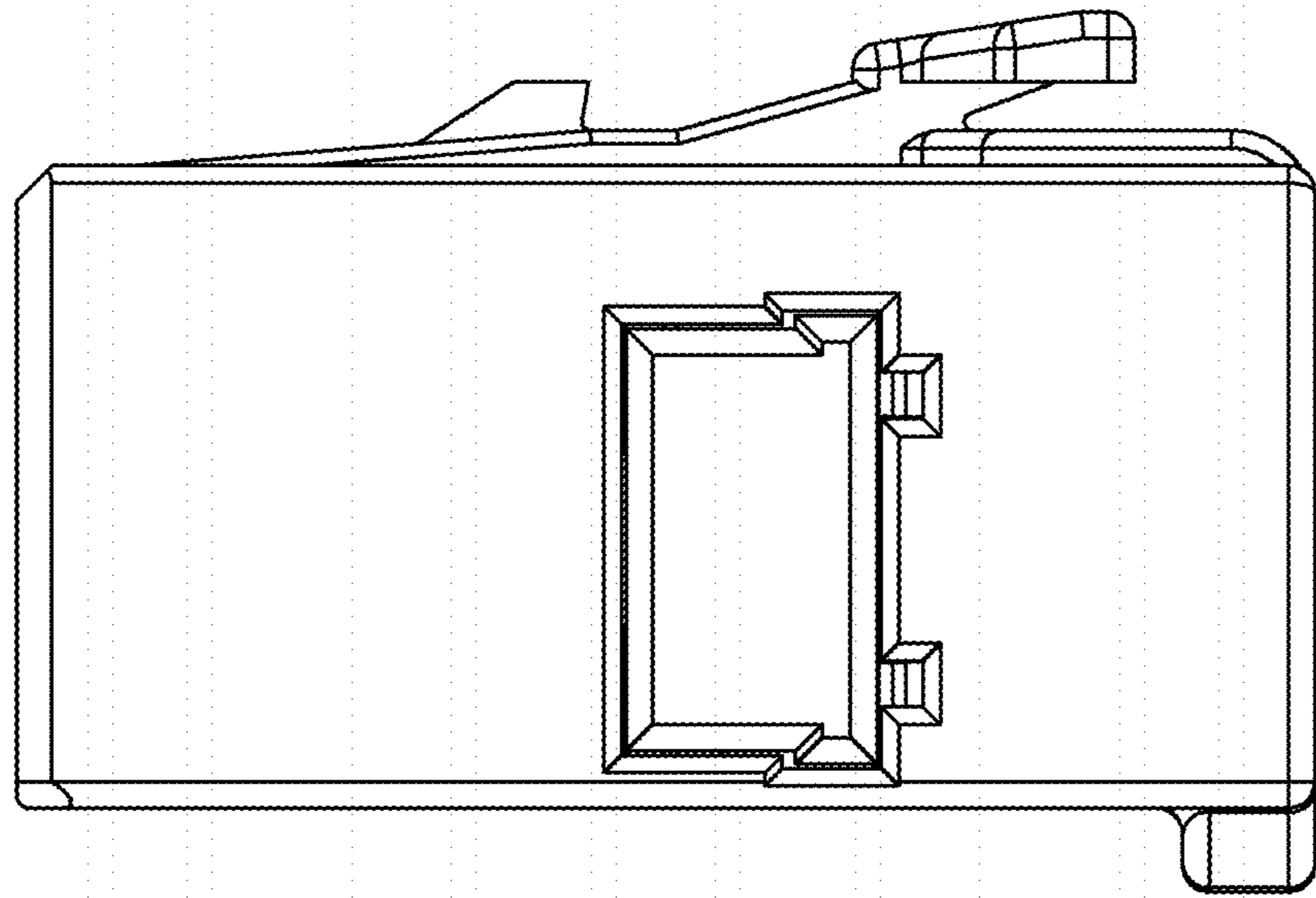


FIG. 17

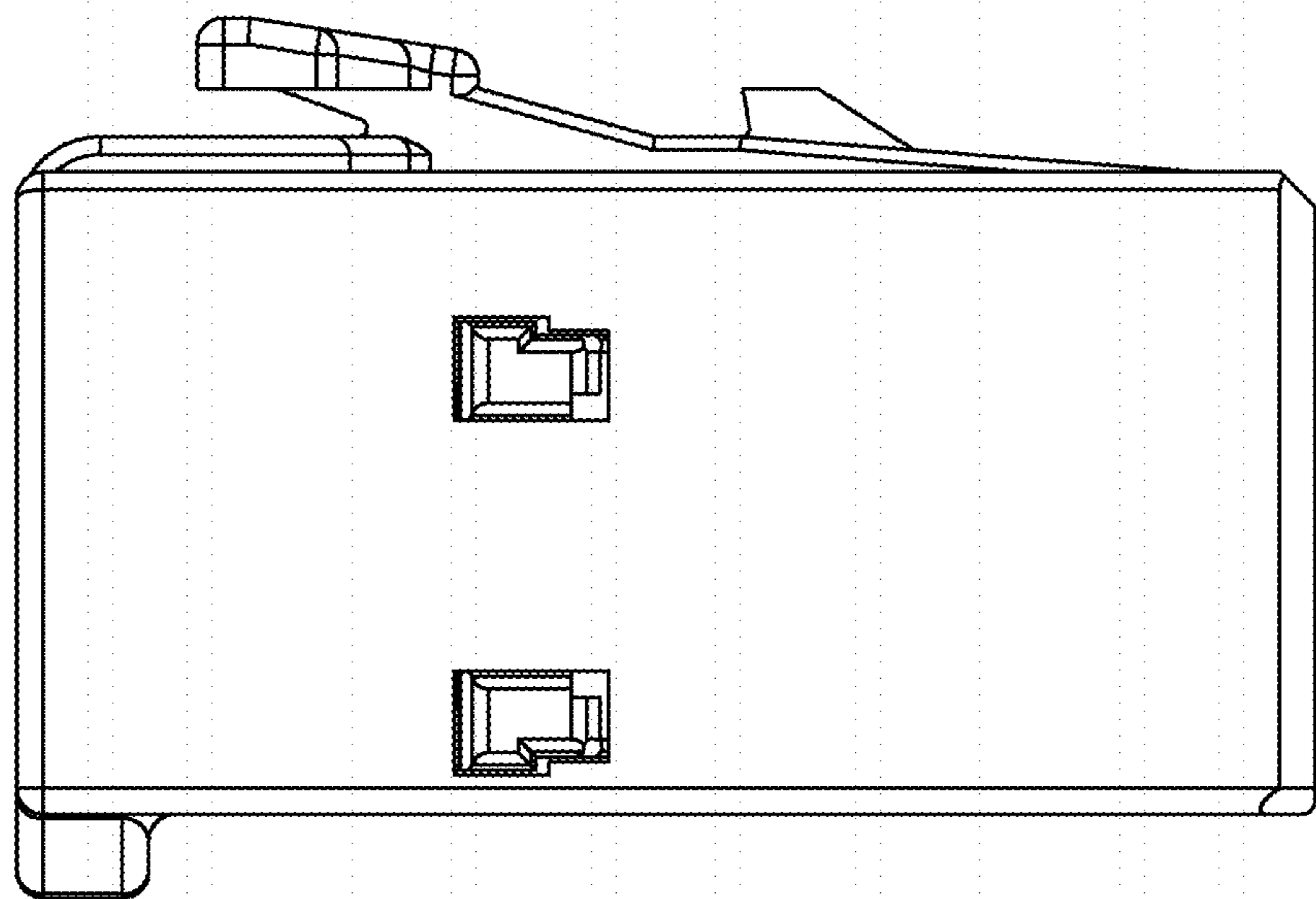


FIG. 18

