



US00D747688S

(12) **United States Design Patent**  
**Norman et al.**

(10) **Patent No.:** **US D747,688 S**  
(45) **Date of Patent:** **\*\* Jan. 19, 2016**

(54) **MOTOR CONNECTOR COMPONENT FOR A CONSTRUCTION KIT**

(71) Applicant: **Innovation First, Inc.**, Greenville, TX (US)

(72) Inventors: **David Anthony Norman**, Greenville, TX (US); **Robert H. Mimplitch, III**, Rowlett, TX (US); **Raul Olivera**, Greenville, TX (US); **Douglas Michael Galletti**, Allen, TX (US); **Gregory James Lavender**, Rockwell, TX (US); **Jeffrey Russel Waegelin**, Rockwell, TX (US); **James Anthony Traskos**, Greenville, TX (US); **Kelvin Gunnar Frank**, Greenville, TX (US); **Jason Alan Weihman**, Greenville, TX (US); **Thomas Charles Glick**, Greenville, TX (US); **Arthur Philip Dutra, IV**, Greenville, TX (US); **John Edward Vielkind-Neun**, Greenville, TX (US); **Paul David Copioli**, Rockwell, TX (US)

(73) Assignee: **Innovation First, Inc.**, Greenville, TX (US)

(\*\*) Term: **14 Years**

(21) Appl. No.: **29/488,279**

(22) Filed: **Apr. 17, 2014**

(51) **LOC (10) Cl.** ..... **13-03**

(52) **U.S. Cl.**  
USPC ..... **D13/146**

(58) **Field of Classification Search**  
USPC ..... D13/123, 133, 146, 147, 154, 184, 199  
See application file for complete search history.

(56) **References Cited**

U.S. PATENT DOCUMENTS

D183,914	S	*	11/1958	Chambers et al.	.....	D7/386
D415,467	S	*	10/1999	Starkey	.....	D13/133
8,419,441	B1	*	4/2013	Topolewski et al.	.....	439/65
D693,416	S	*	11/2013	Webb	.....	D21/486
D711,975	S	*	8/2014	Norman et al.	.....	D21/503
D711,976	S	*	8/2014	Norman et al.	.....	D21/503
D725,037	S	*	3/2015	Norman et al.	.....	D13/112
D731,449	S	*	6/2015	Norman et al.	.....	D13/184

\* cited by examiner

*Primary Examiner* — Daniel Bui

(74) *Attorney, Agent, or Firm* — Adam K. Sacharoff; Much Shelist

(57) **CLAIM**

The ornamental design for a motor connector component for a construction kit, as shown and described.

**DESCRIPTION**

FIG. 1 is a top and front perspective view of a motor connector component for a construction kit showing our new invention; FIG. 2 is a top and rear perspective view thereof; FIG. 3 is a bottom and front perspective view thereof; FIG. 4 is a bottom and rear perspective view thereof; FIG. 5 is front elevation view thereof; FIG. 6 is a rear elevation view thereof; FIG. 7 is a right side elevation view thereof; FIG. 8 is a left side elevation view thereof; FIG. 9 is a top plan view thereof; and, FIG. 10 is a bottom plan view thereof.

The broken line in the figure drawings is included for the purpose of illustrating unclaimed environment and forms no part of the claimed design.

**1 Claim, 10 Drawing Sheets**

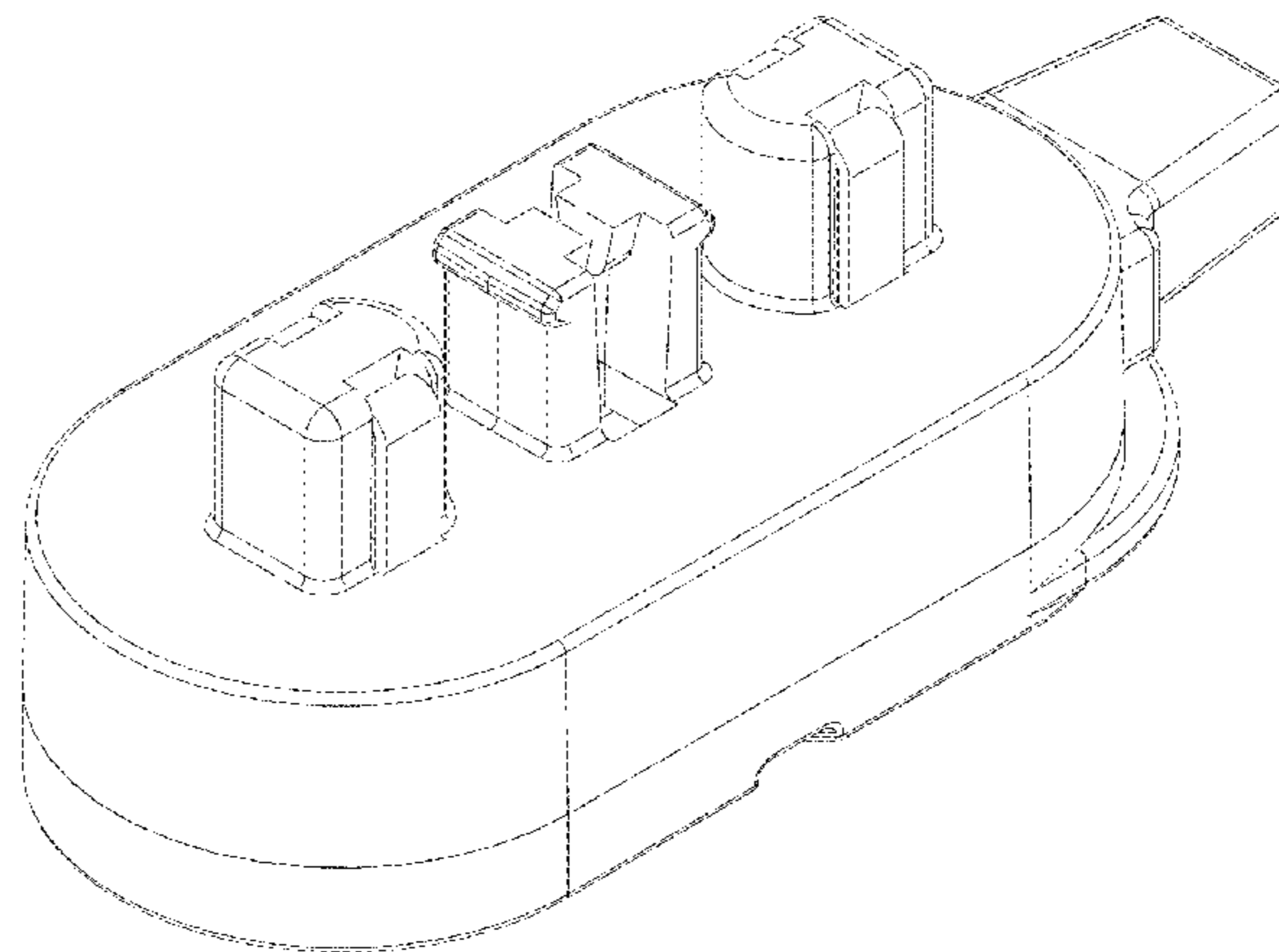
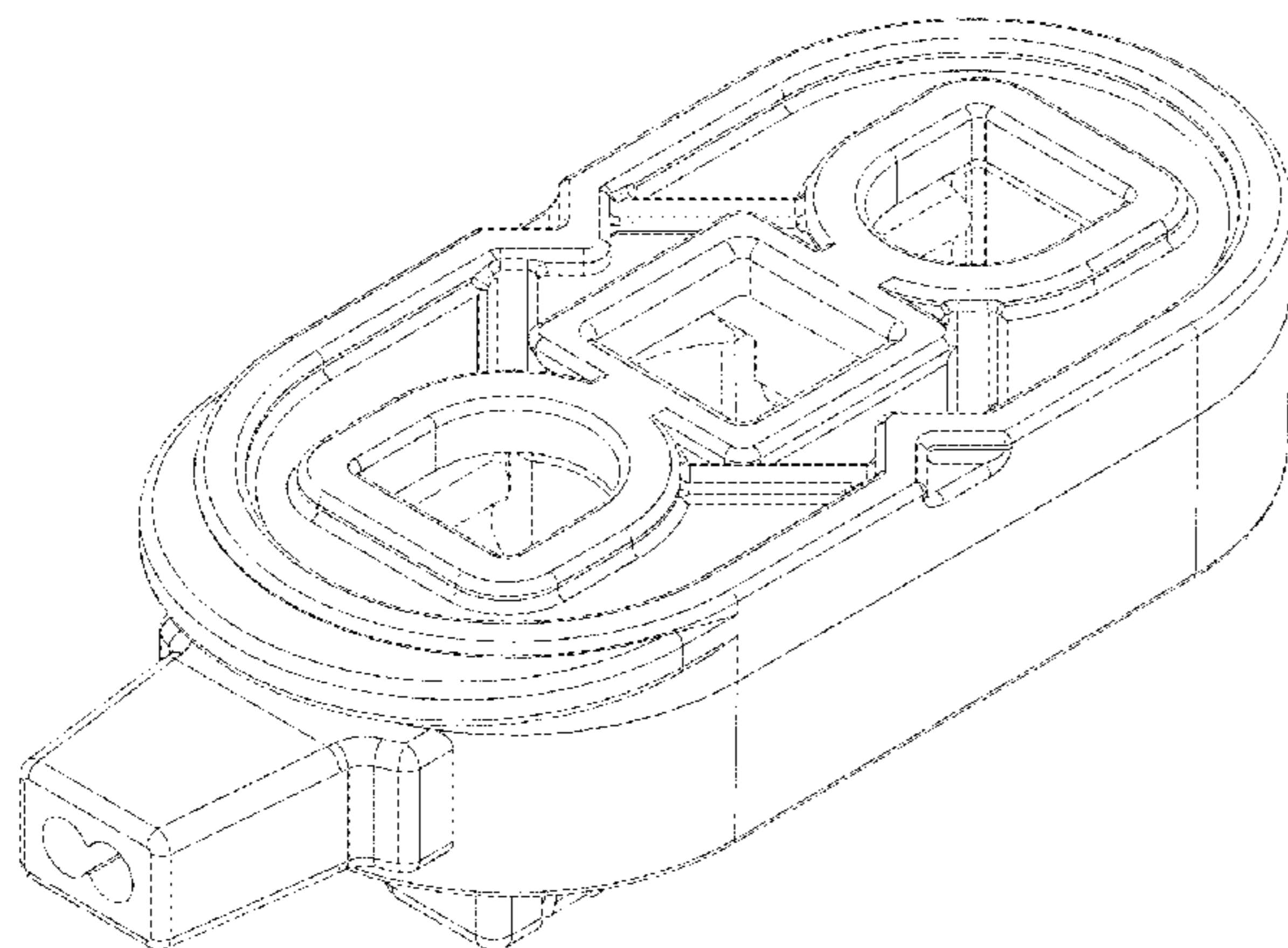


FIGURE 1

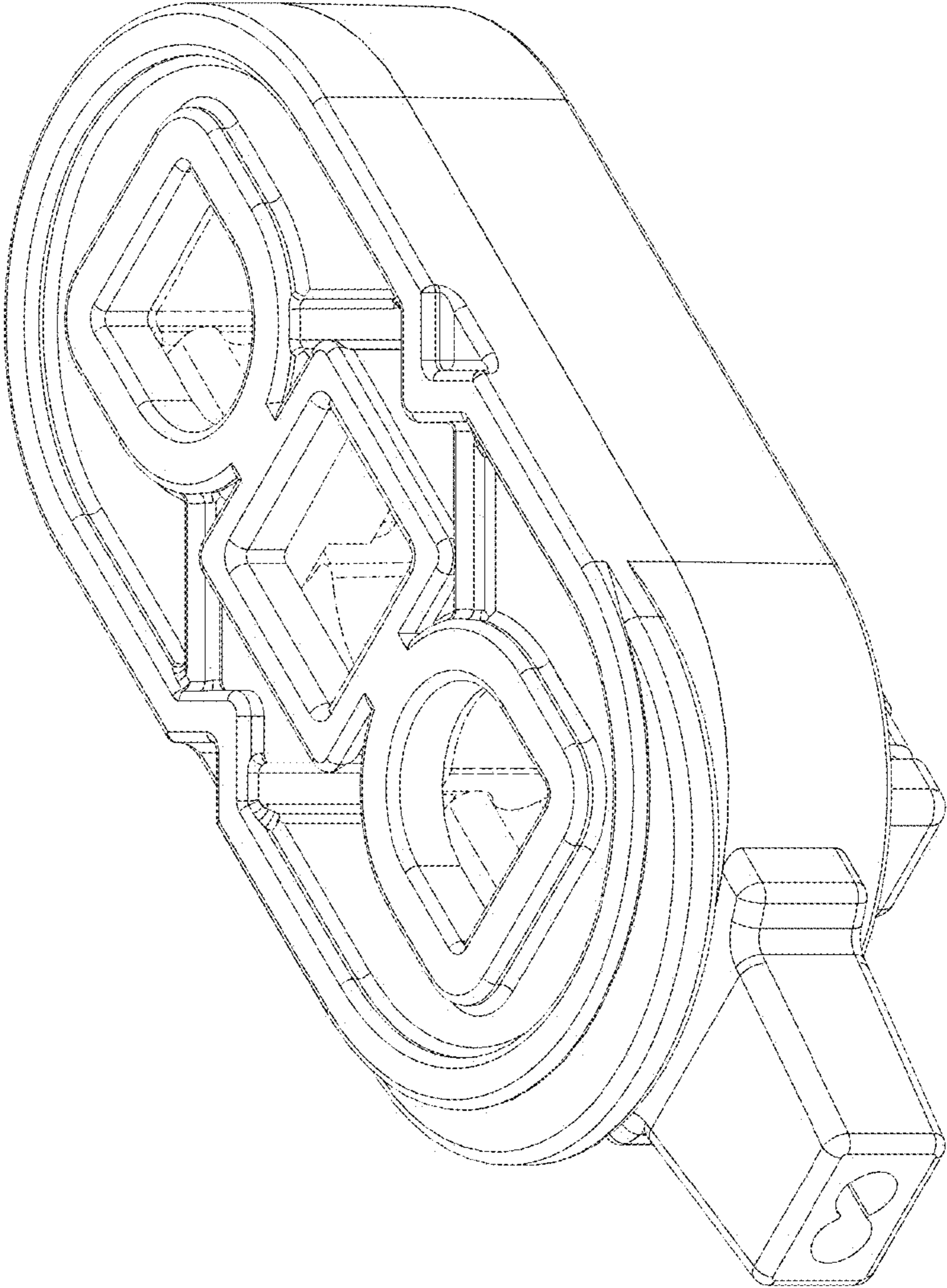


FIGURE 2

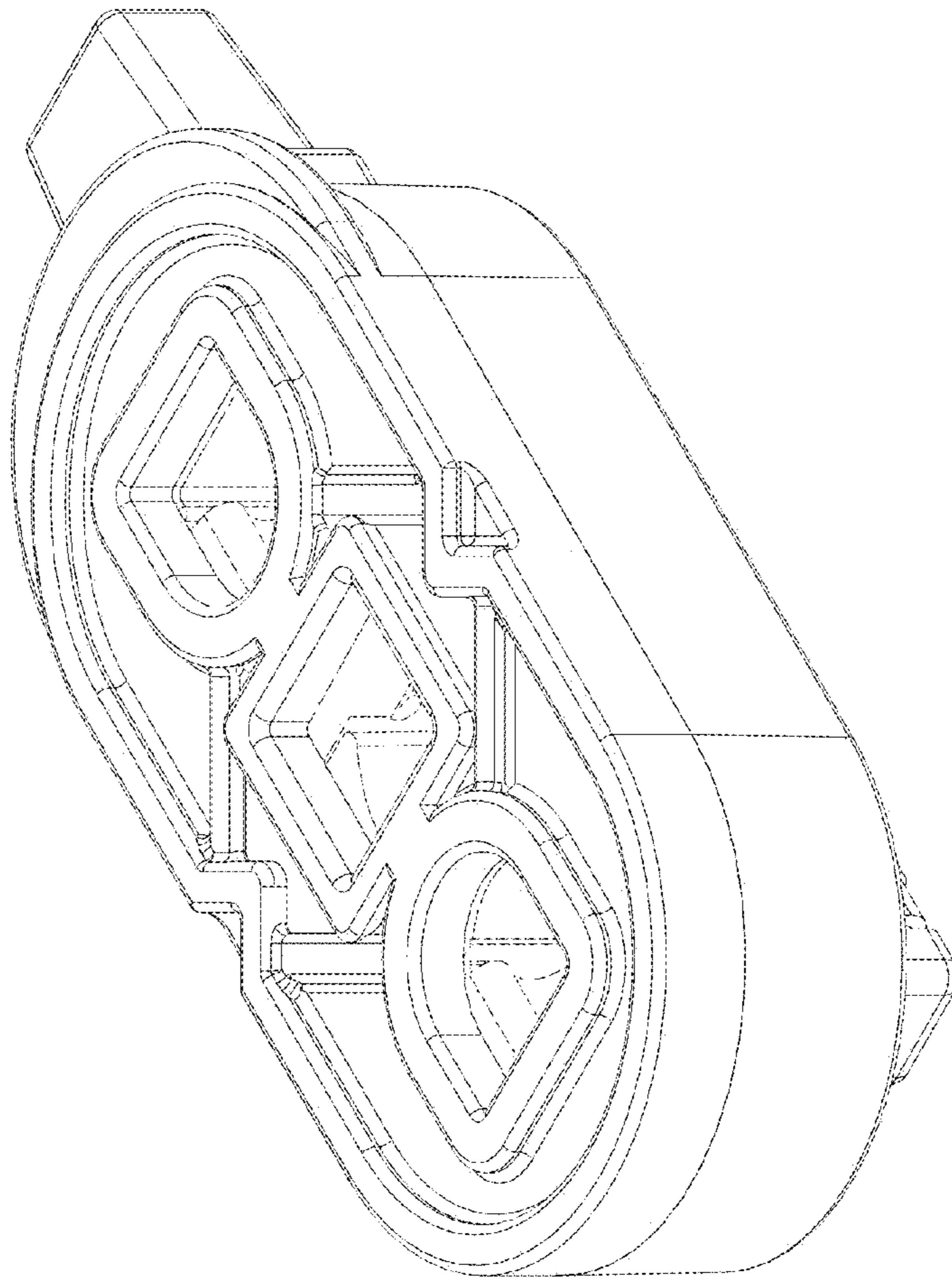


FIGURE 3

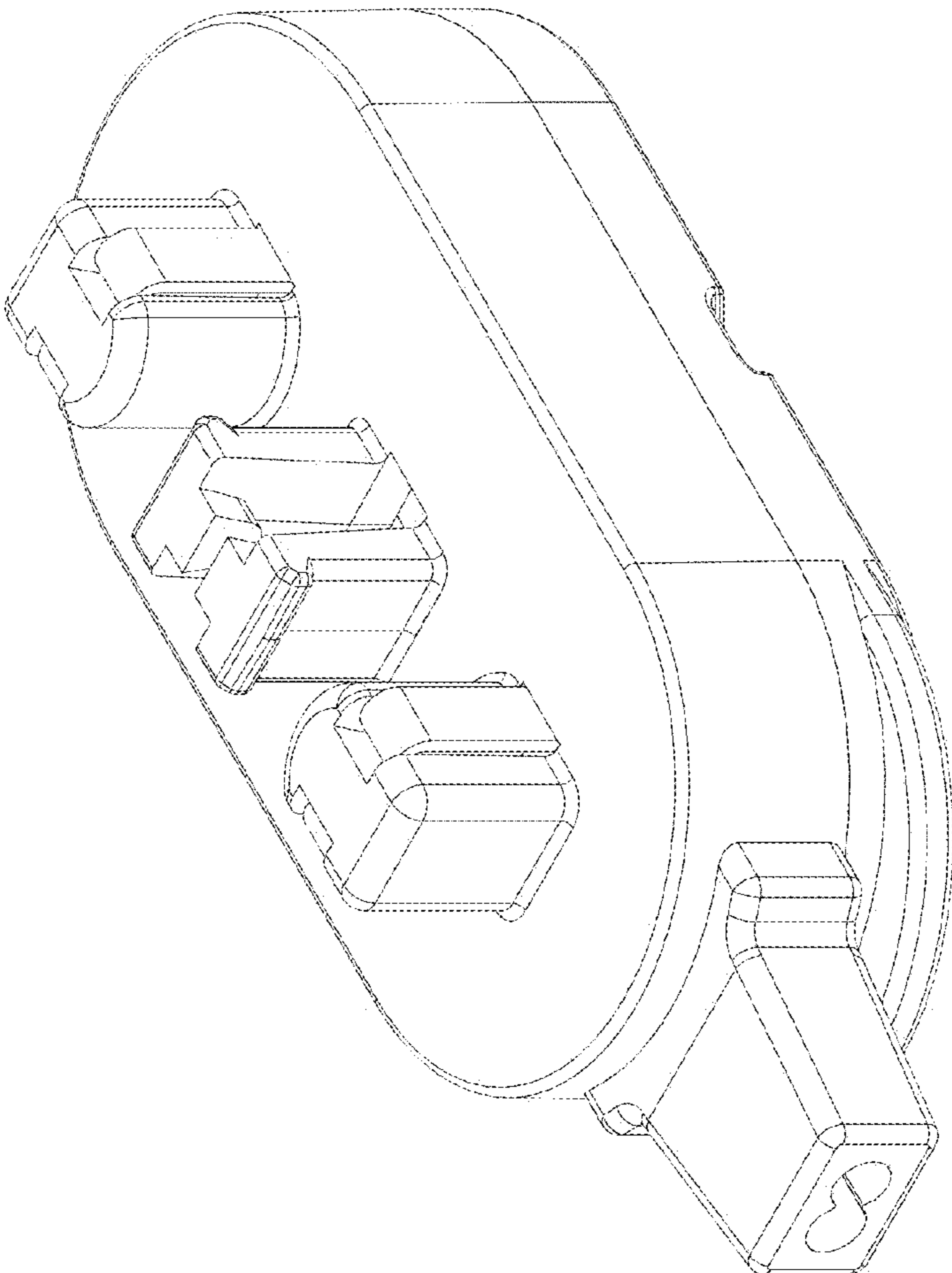


FIGURE 4

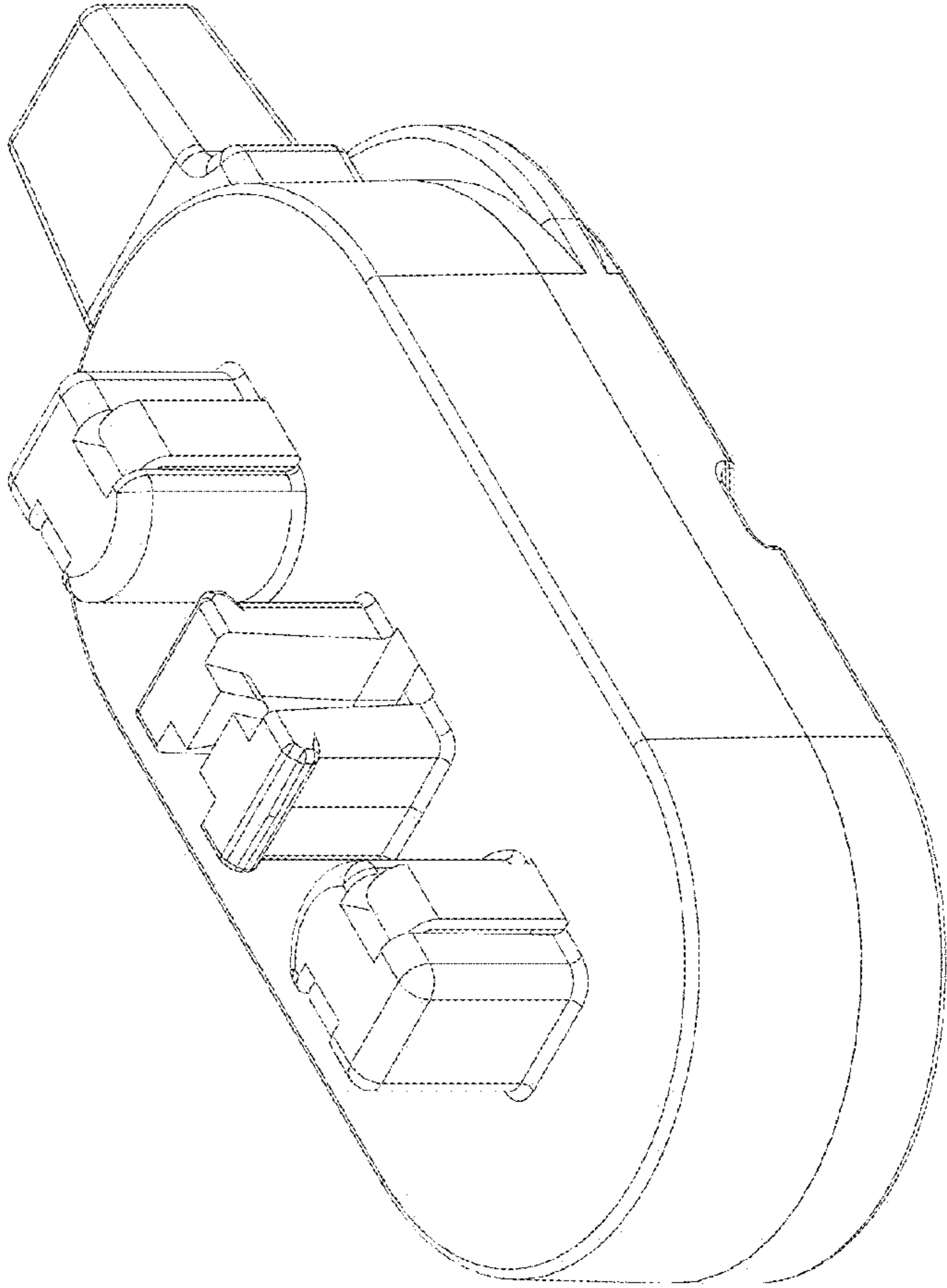
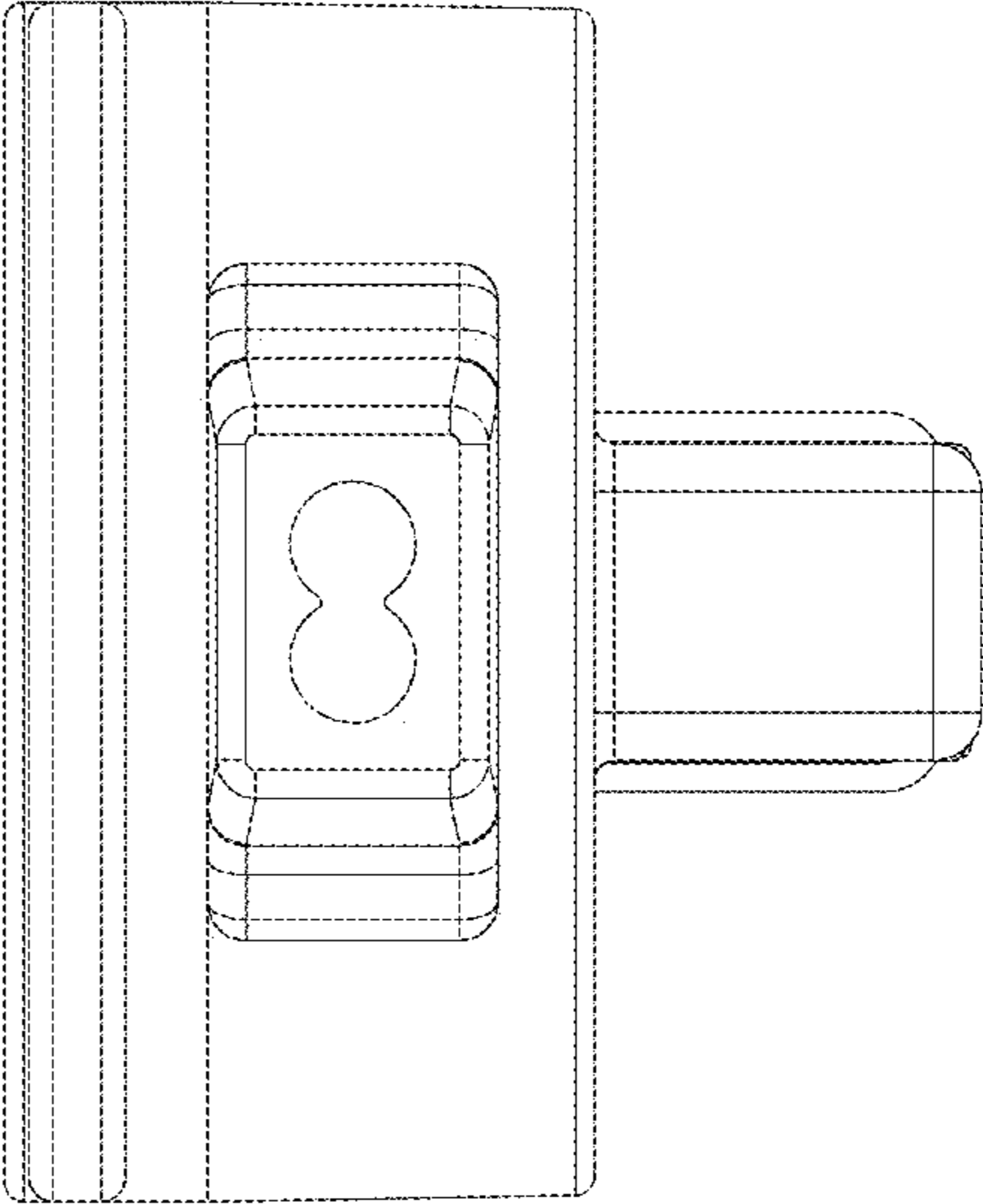


FIGURE 5



**FIGURE 6**

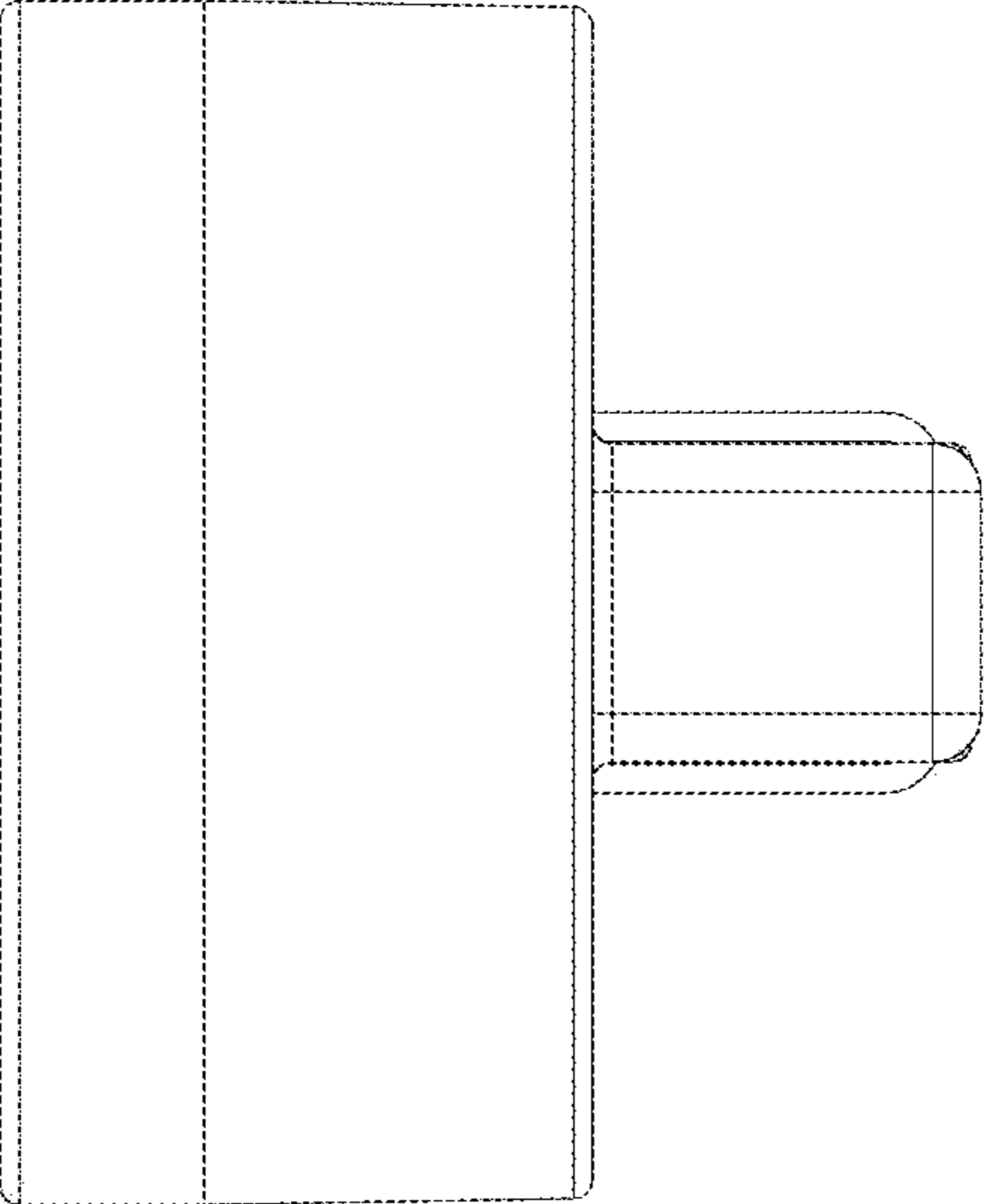


FIGURE 7

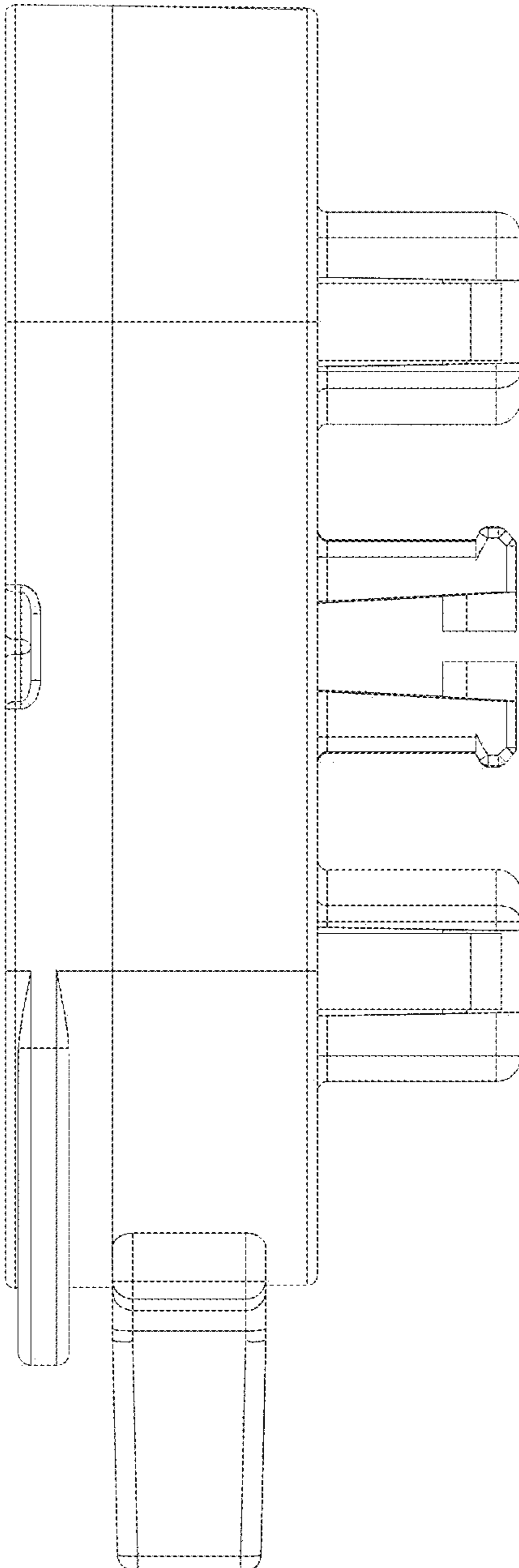
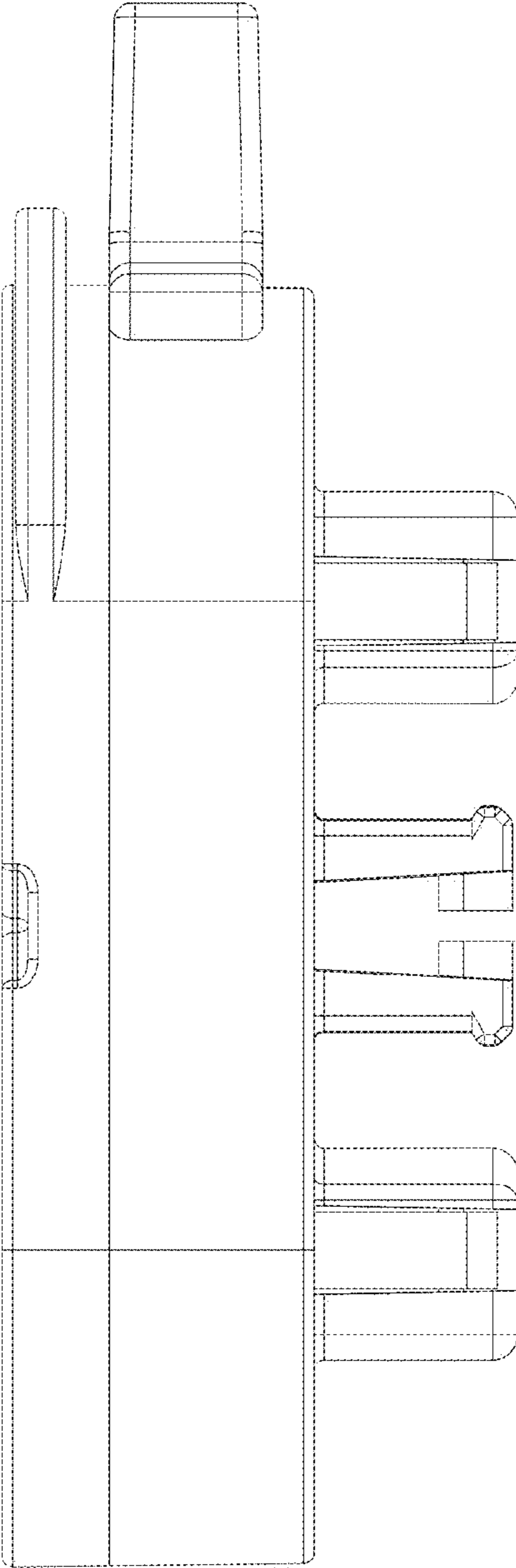




FIGURE 8



**FIGURE 9**

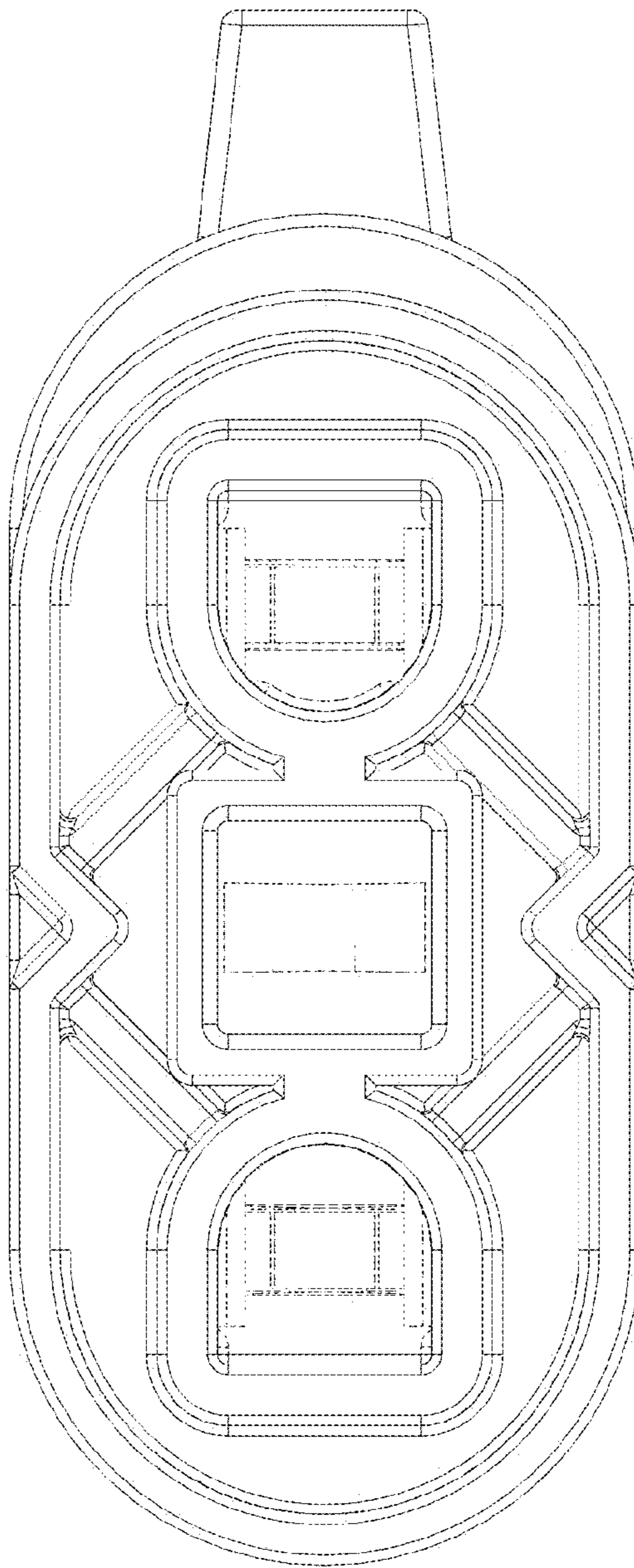


FIGURE 10

