



US00D747686S

(12) **United States Design Patent**  
**Kawamura et al.**

(10) **Patent No.:** **US D747,686 S**  
(45) **Date of Patent:** **\*\* Jan. 19, 2016**

- (54) **ELECTRICAL CONNECTOR**
- (71) Applicant: **Japan Aviation Electronics Industry, Limited**, Tokyo (JP)
- (72) Inventors: **Chikara Kawamura**, Tokyo (JP); **Yukitaka Tanaka**, Tokyo (JP)
- (73) Assignee: **Japan Aviation Electronics Industry, Limited**, Tokyo (JP)
- (\*\*) Term: **14 Years**
- (21) Appl. No.: **29/487,470**
- (22) Filed: **Apr. 9, 2014**
- (30) **Foreign Application Priority Data**  
Oct. 25, 2013 (JP) ..... 2013-024824
- (51) **LOC (10) Cl.** ..... **13-03**
- (52) **U.S. Cl.**  
USPC ..... **D13/133**
- (58) **Field of Classification Search**  
USPC ..... D13/110, 118, 120, 122, 123, 133, 146, D13/147, 149, 153, 154, 184, 199  
CPC ..... H01R 13/627; H01R 13/639; H01R 13/3275; H01R 13/6271; H01R 24/76; H01R 24/00; G02B 6/38; G02B 6/381; G02B 6/42; G02B 6/4255  
See application file for complete search history.

- (56) **References Cited**  
U.S. PATENT DOCUMENTS  
D429,484 S \* 8/2000 Nishio ..... D13/147  
D434,727 S \* 12/2000 Huang ..... D13/147  
D508,024 S \* 8/2005 Wu ..... D13/147  
D560,613 S \* 1/2008 McEvoy ..... D13/147  
D609,646 S \* 2/2010 Oka ..... D13/147  
D638,361 S \* 5/2011 Sasaki ..... D13/147

- 8,297,855 B2 \* 10/2012 Koreeda ..... G02B 6/4292 385/92
- D672,315 S 12/2012 Naito
- D734,728 S \* 7/2015 Lagziel ..... D13/154
- D735,140 S \* 7/2015 Liao ..... D13/147
- 2013/0344722 A1 \* 12/2013 Lloyd ..... H01R 13/6275 439/160
- 2014/0187075 A1 \* 7/2014 Tanaka ..... H01R 13/639 439/345
- 2014/0348468 A1 \* 11/2014 Lagziel ..... G02B 6/381 385/78
- 2014/0348471 A1 \* 11/2014 Cole ..... H05K 1/144 385/89

\* cited by examiner

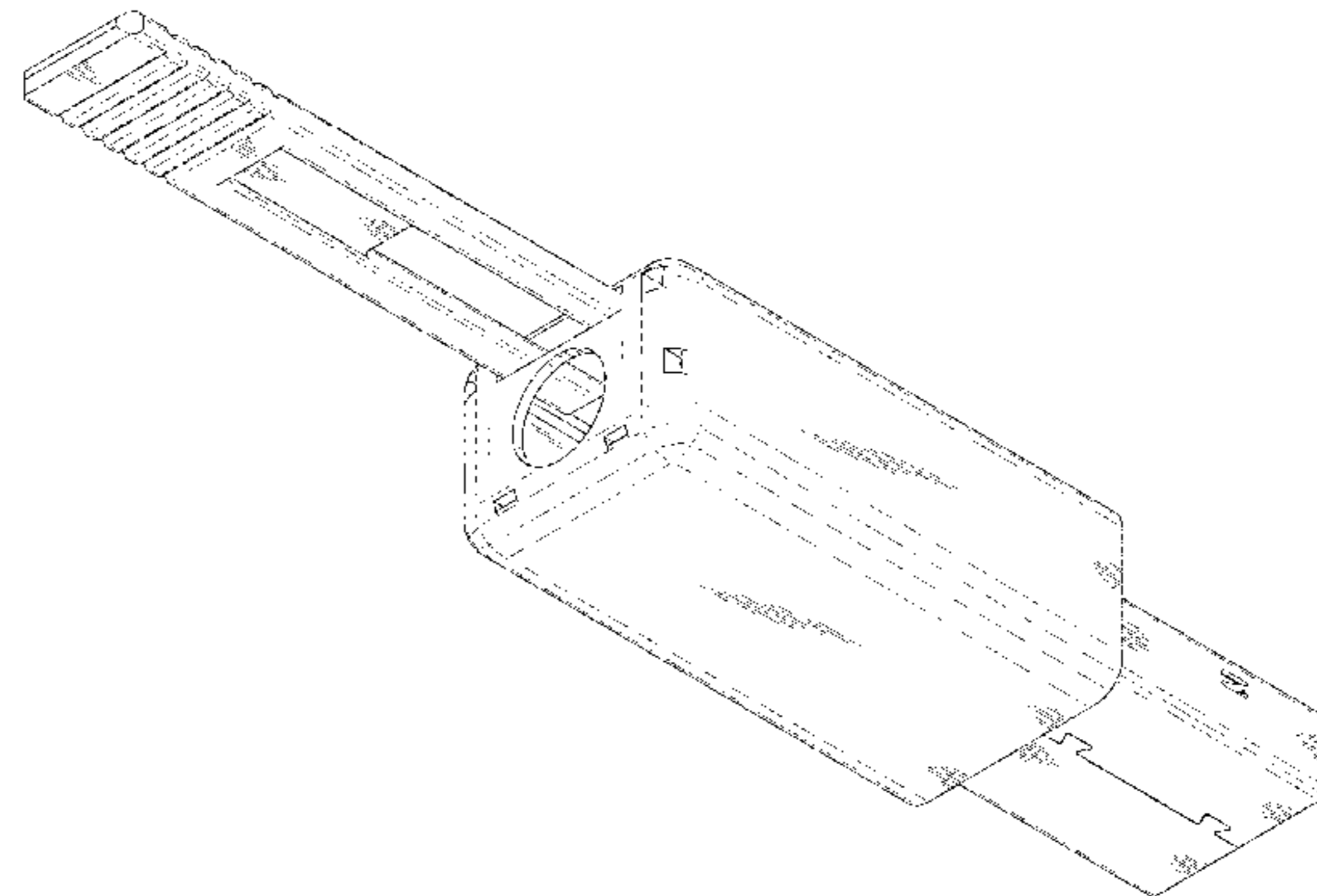
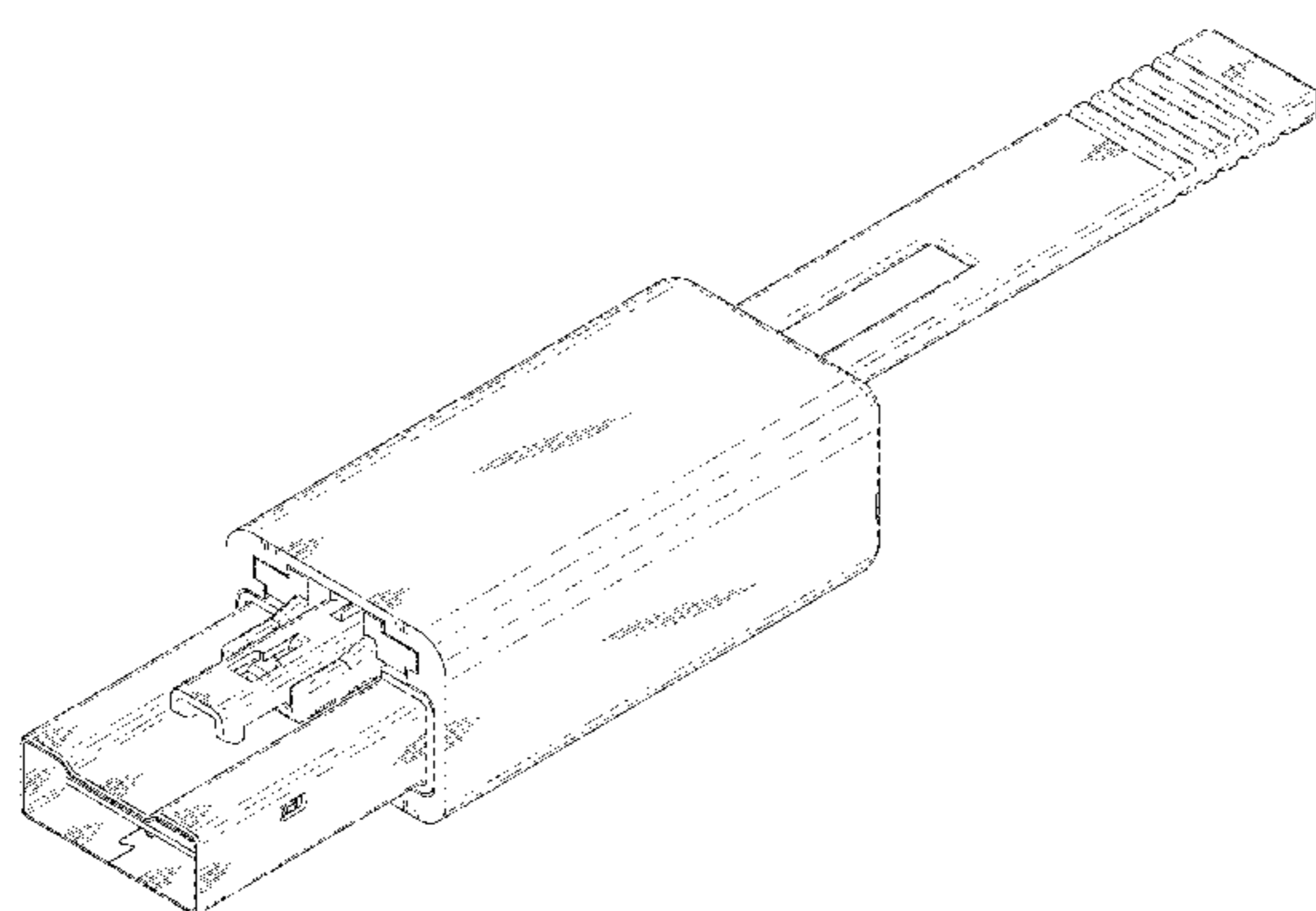
*Primary Examiner* — Thomas Johannes  
*Assistant Examiner* — Shawn T Gingrich  
(74) *Attorney, Agent, or Firm* — Cermak Nakajima & McGowan LLP; Tomoko Nakajima

(57) **CLAIM**  
The ornamental design for an electrical connector, as shown and described.

**DESCRIPTION**

FIG. 1 is a front elevational view of an electrical connector showing our new design;  
FIG. 2 is a top plan view thereof;  
FIG. 3 is a right side elevational view thereof;  
FIG. 4 is a left side elevational view thereof;  
FIG. 5 is a rear elevational view thereof;  
FIG. 6 is a bottom plan view thereof;  
FIG. 7 is a front and top perspective view thereof;  
FIG. 8 is a rear and top perspective view thereof;  
FIG. 9 is a front and bottom perspective view thereof; and,  
FIG. 10 is a rear and bottom perspective view thereof.  
The broken line portion of the figure drawings is included to show portions of the article that form(s) no part of the claimed design.

**1 Claim, 10 Drawing Sheets**



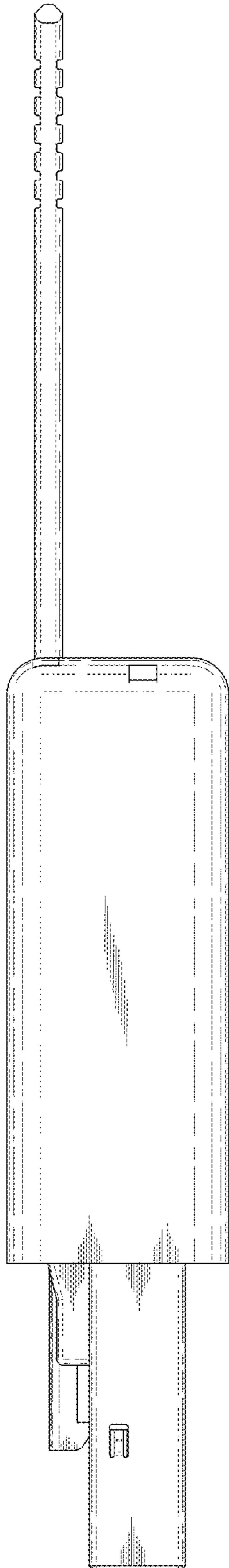


FIG. 1

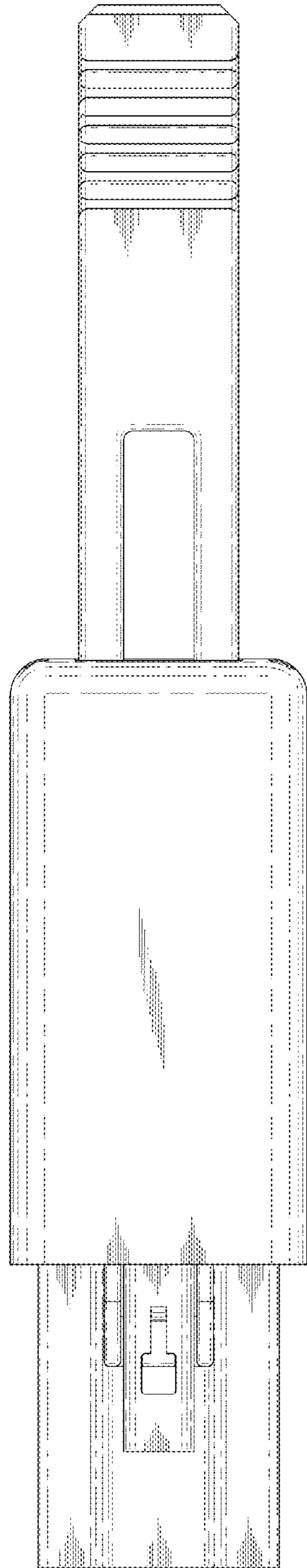


FIG.2

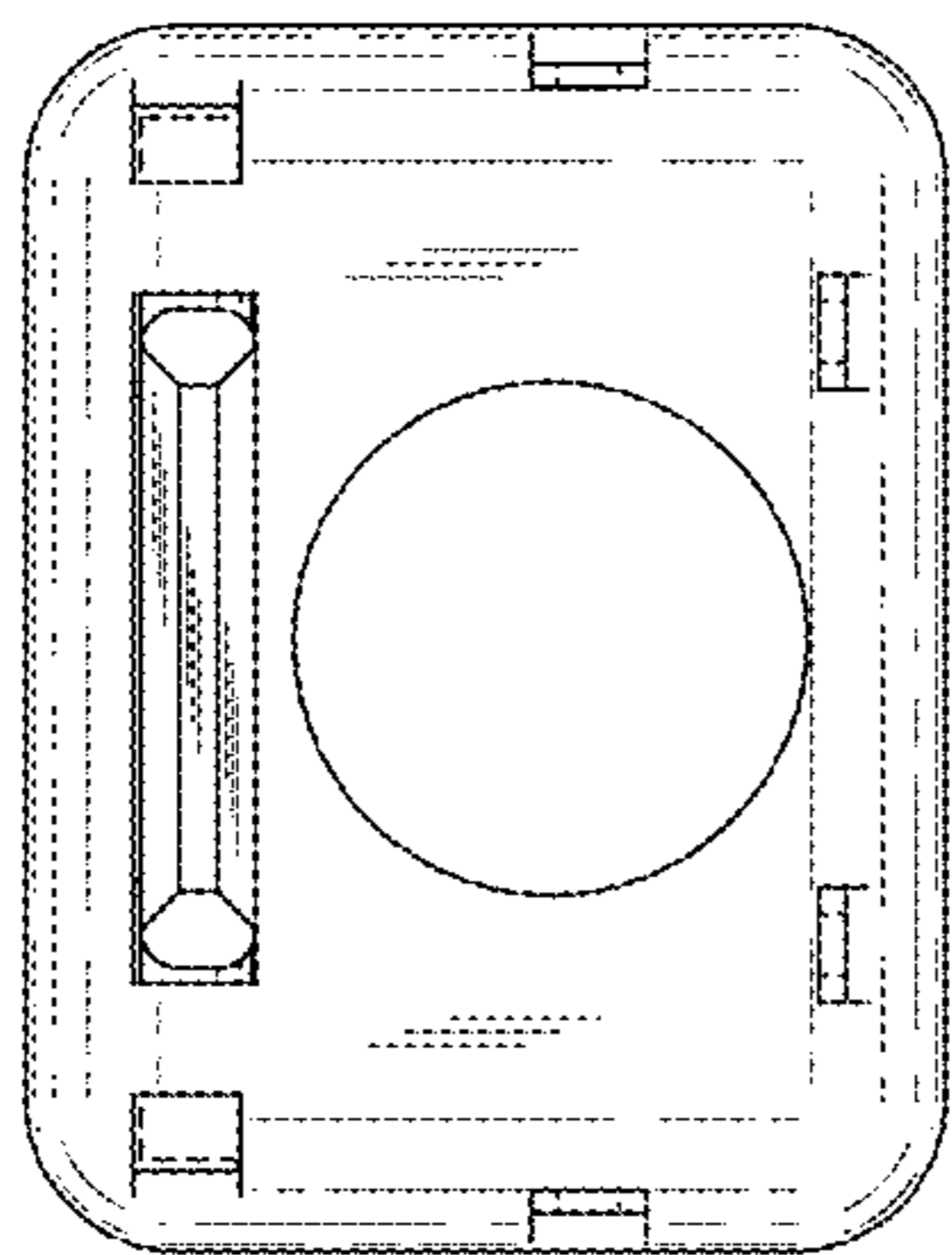


FIG. 3

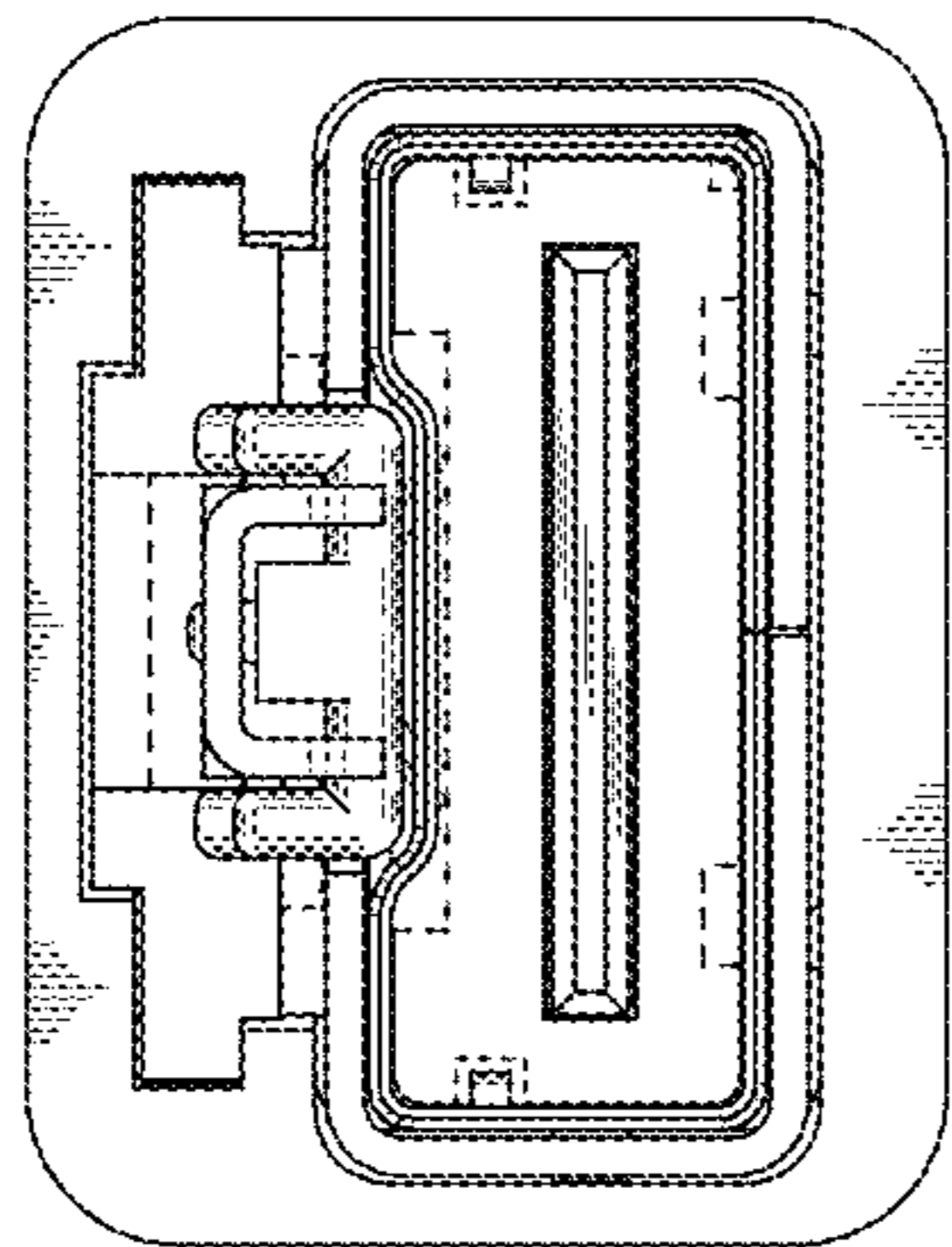


FIG.4

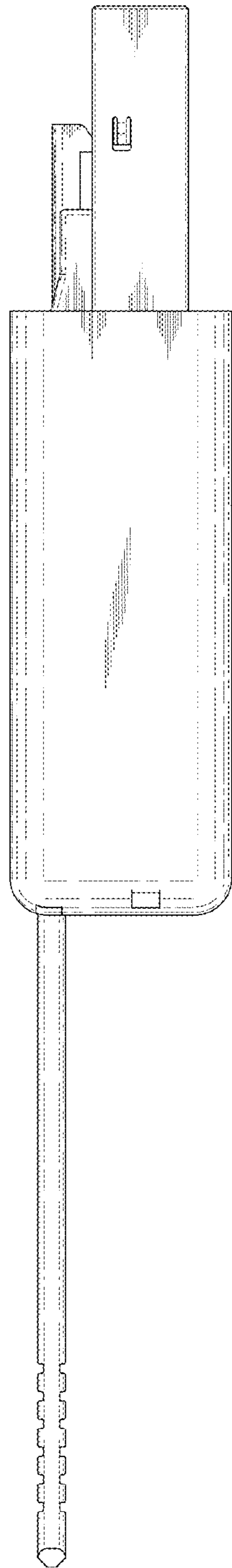


FIG. 5

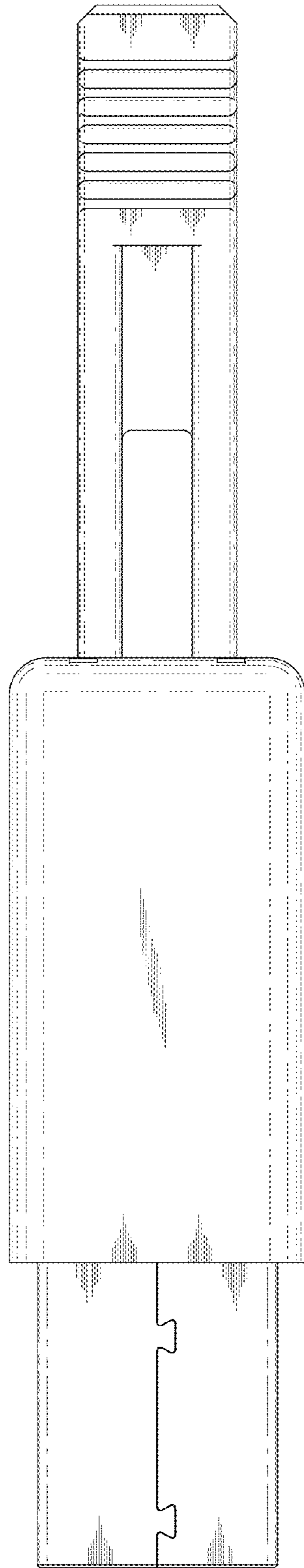


FIG.6

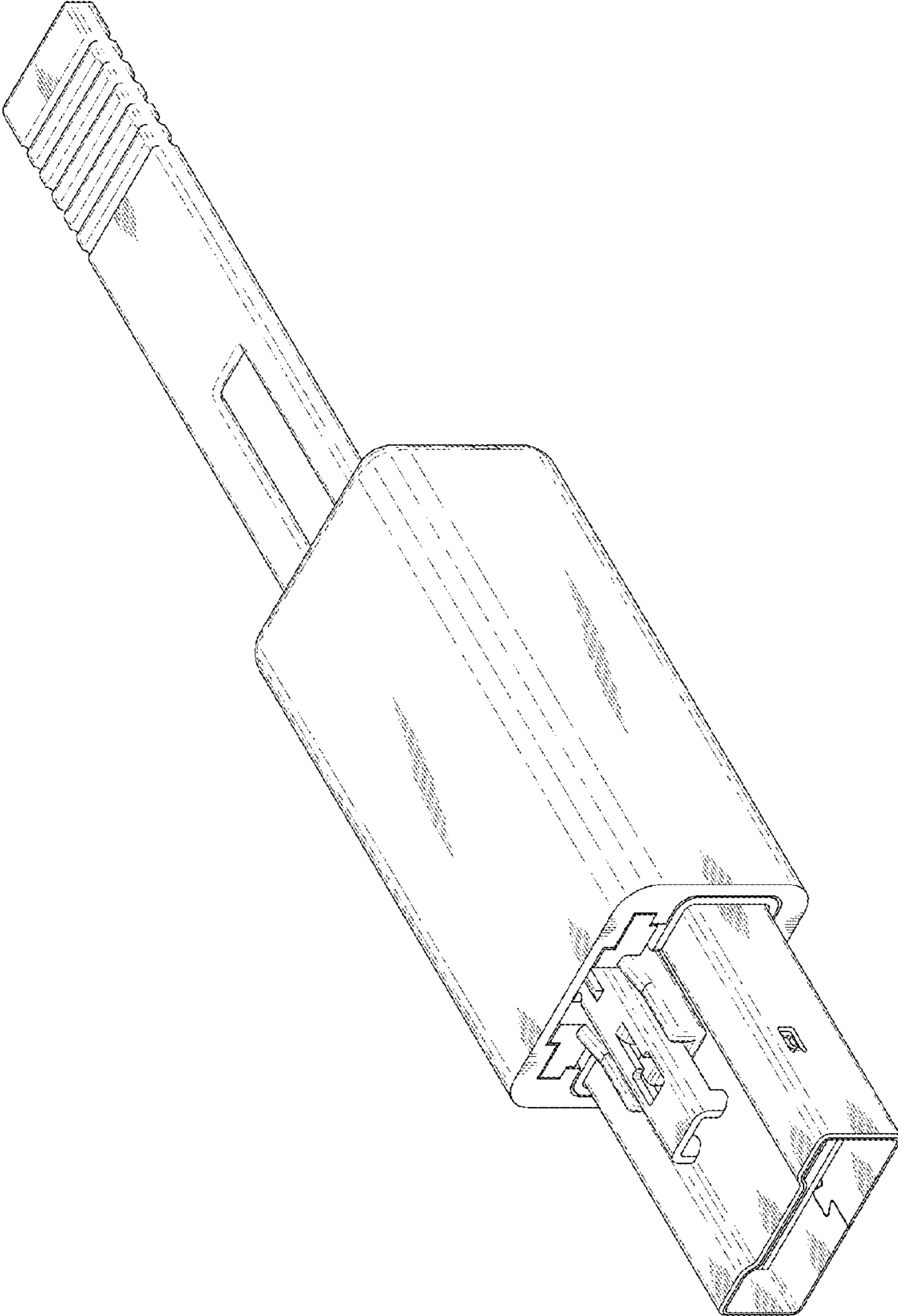


FIG.7



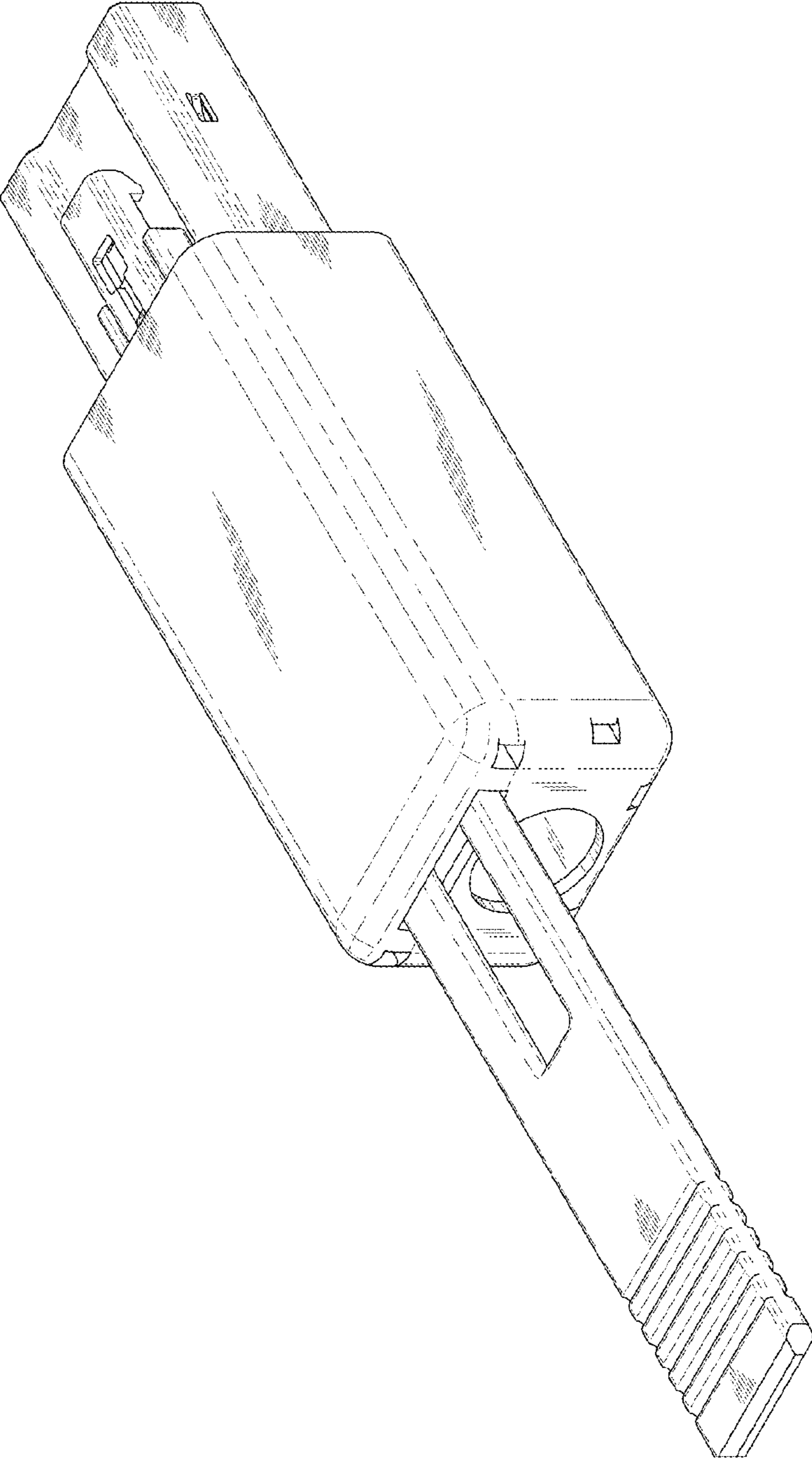


FIG. 8

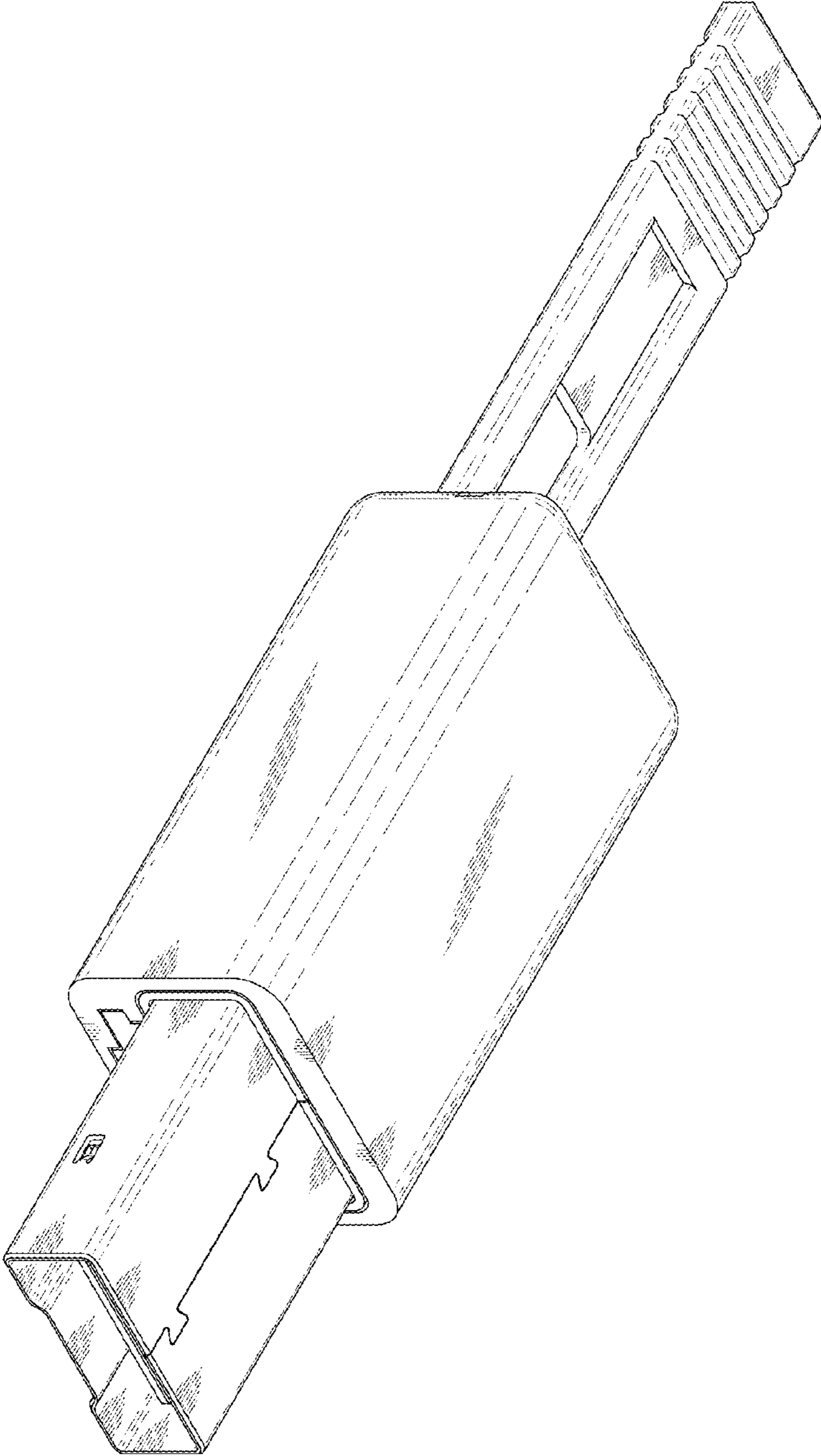


FIG.9

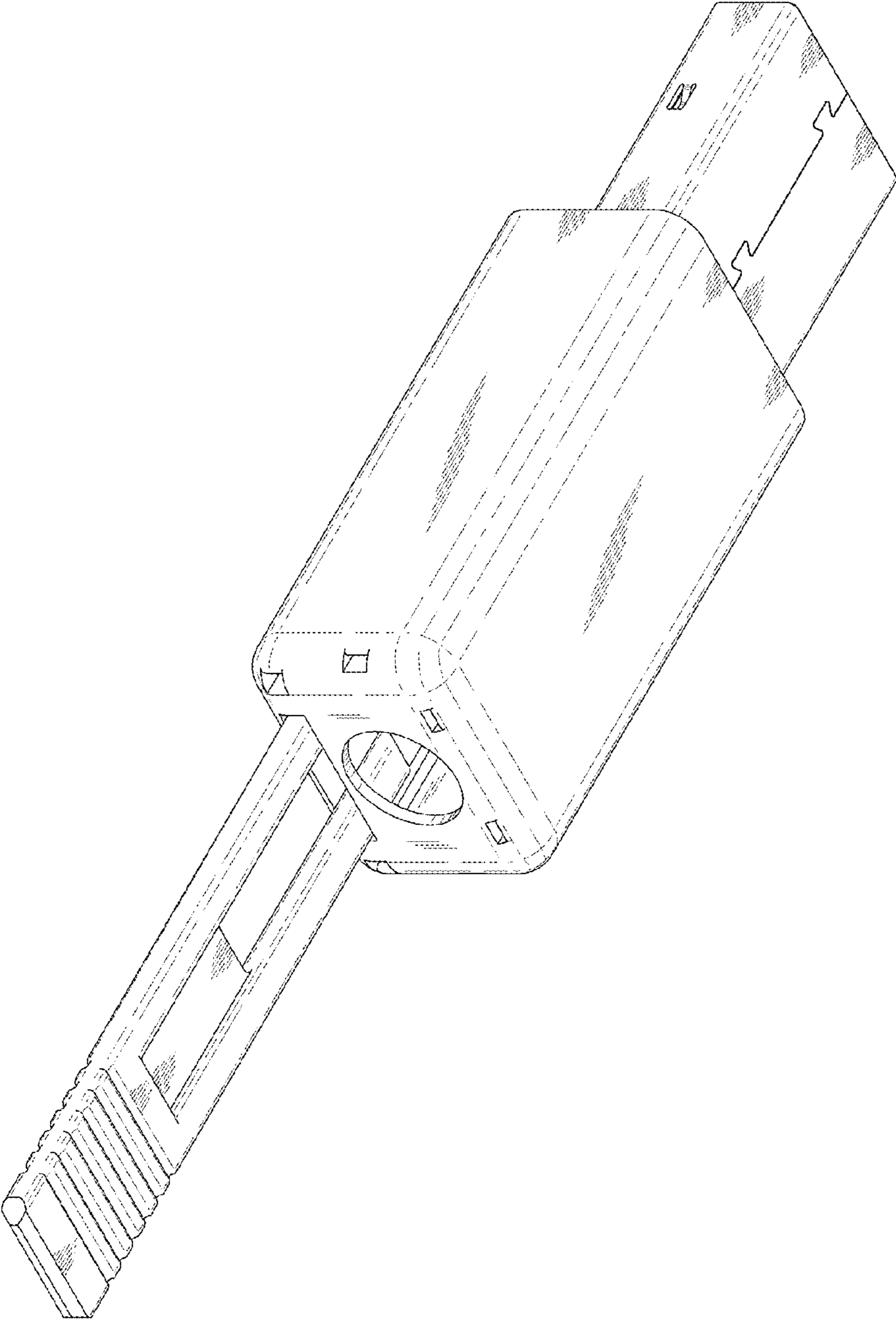


FIG.10