



US00D747684S

(12) **United States Design Patent**
Lee et al.

(10) **Patent No.:** **US D747,684 S**
(45) **Date of Patent:** **** Jan. 19, 2016**

(54) **BATTERY COVER FOR ELECTRONIC DEVICE**

(71) Applicant: **Samsung Electronics Co., Ltd.**,
Suwon-si (KR)

(72) Inventors: **Min-Hyouk Lee**, Seoul (KR); **Min-Ah Koh**, Seoul (KR); **Dong-Hun Kim**, Seoul (KR); **Sung-Hun Kim**, Yongin-si (KR); **Joo-Ho Seo**, Seoul (KR)

(73) Assignee: **Samsung Electronics Co., Ltd.**,
Suwon-si (KR)

(**) Term: **14 Years**

(21) Appl. No.: **29/497,262**

(22) Filed: **Jul. 22, 2014**

(30) **Foreign Application Priority Data**

May 16, 2014 (KR) 30-2014-0024172

(51) **LOC (10) Cl.** **13-02**

(52) **U.S. Cl.**
USPC **D13/119**

(58) **Field of Classification Search**

USPC D13/102–110, 118–119, 154, 184, 199;
D14/203.3–203.8, 217, 248, 250–253,
D14/432, 434, 440, 450, 496; D3/201, 218,
D3/269, 301, 273, 303; 361/679.56;
379/426, 433.11–433.13, 455;
455/575.1, 575.8; 320/101–102,
320/107–115, 120; 429/96–100, 149, 159,
429/163, 176, 177, 186
CPC G06K 7/0008; H01Q 7/00; H01M 10/04;
H01M 10/0413; H01M 10/0436; H01M
2/0207; H01M 2/0212; H01M 2/0215; H01M
2/021; H01M 2/1022; H01M 2/1061; H01M
2/1066; H01M 2/04; H01M 2/0404; H01M
2220/30; H04M 1/026; H04M 1/0262
See application file for complete search history.

(56) **References Cited**

U.S. PATENT DOCUMENTS

D474,472 S * 5/2003 Maekawa D13/182
D724,529 S * 3/2015 Kwon D13/103

(Continued)

Primary Examiner — Rosemary K Tarcza

Assistant Examiner — Sanjeev Paul

(74) *Attorney, Agent, or Firm* — NSIP Law

(57) **CLAIM**

We claim the ornamental design for a battery cover for electronic device, as shown and described.

DESCRIPTION

FIG. 1 is a front perspective view of a battery cover for electronic device showing our new design;

FIG. 2 is a front view thereof;

FIG. 3 is a rear view thereof;

FIG. 4 is a left-side view thereof;

FIG. 5 is a right-side view thereof;

FIG. 6 is a top view thereof;

FIG. 7 is a bottom view thereof;

FIG. 8 is an enlarged view of the encircled portion in FIG. 1; and,

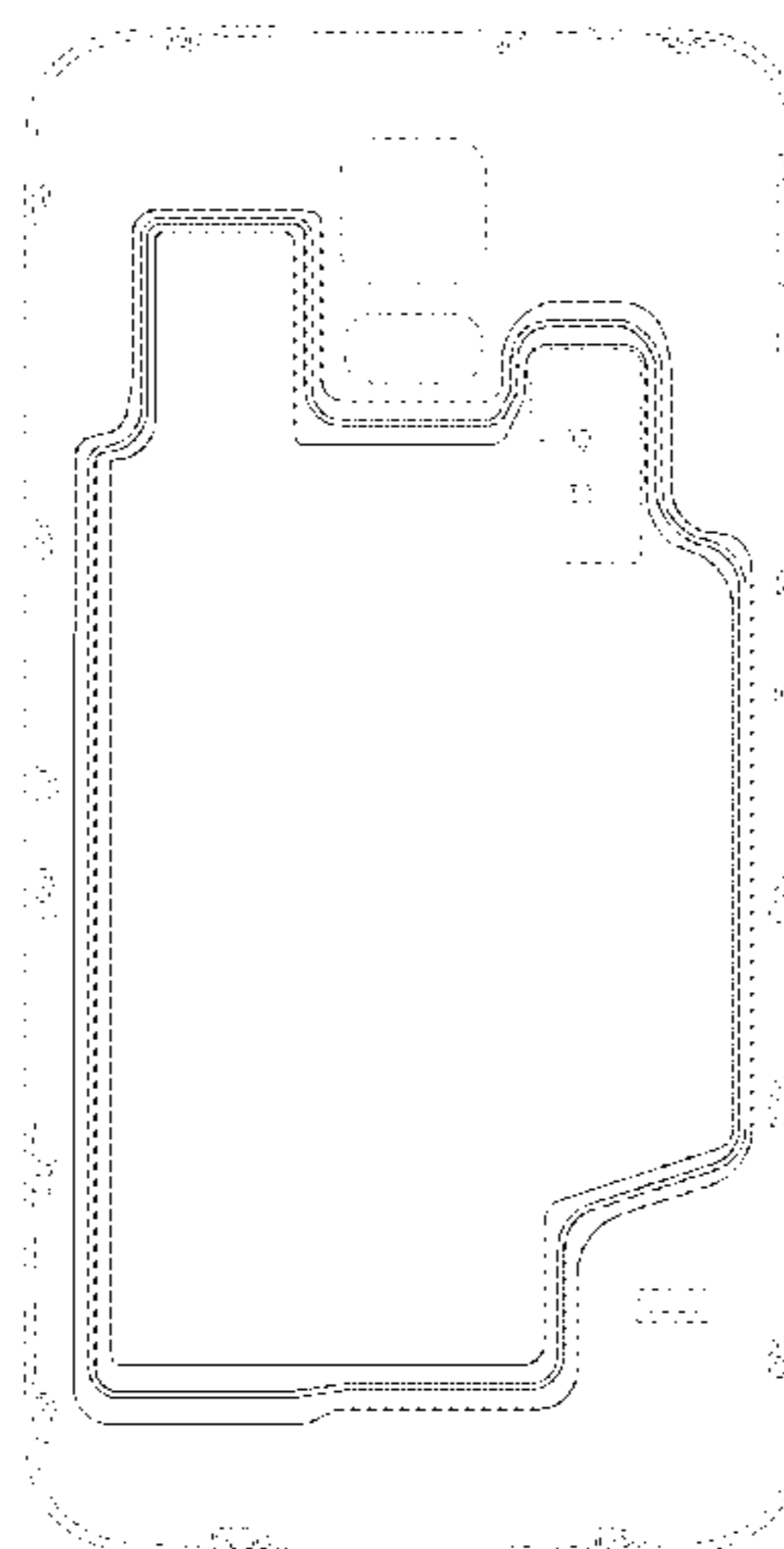
FIG. 9 is another front view of FIG. 2, in which a cover for electronic device in broken lines is provided to illustrate an example environment.

The broken lines in the figures show portions of the battery cover for electronic device which form no part of the claimed design.

The dot-dot-dash broken lines encircling portions of the claimed design that are illustrated in enlargements form no part of the claimed design.

The broken line showing of the cover for electronic device in FIG. 9 is for environmental purposes only and forms no part of the claimed design.

1 Claim, 7 Drawing Sheets



(56)

References Cited

U.S. PATENT DOCUMENTS

D724,530 S * 3/2015 Kwon D13/103
D725,643 S * 3/2015 Lee D14/250
D729,805 S * 5/2015 Bataillou D14/432
D737,255 S * 8/2015 Ozeki D13/154

2006/0028384 A1* 2/2006 Akiho G06K 7/0008
343/742
2011/0275318 A1* 11/2011 Sato H01Q 7/00
455/41.1
2014/0292610 A1* 10/2014 Iwahashi H01Q 7/00
343/867

* cited by examiner

FIG. 1

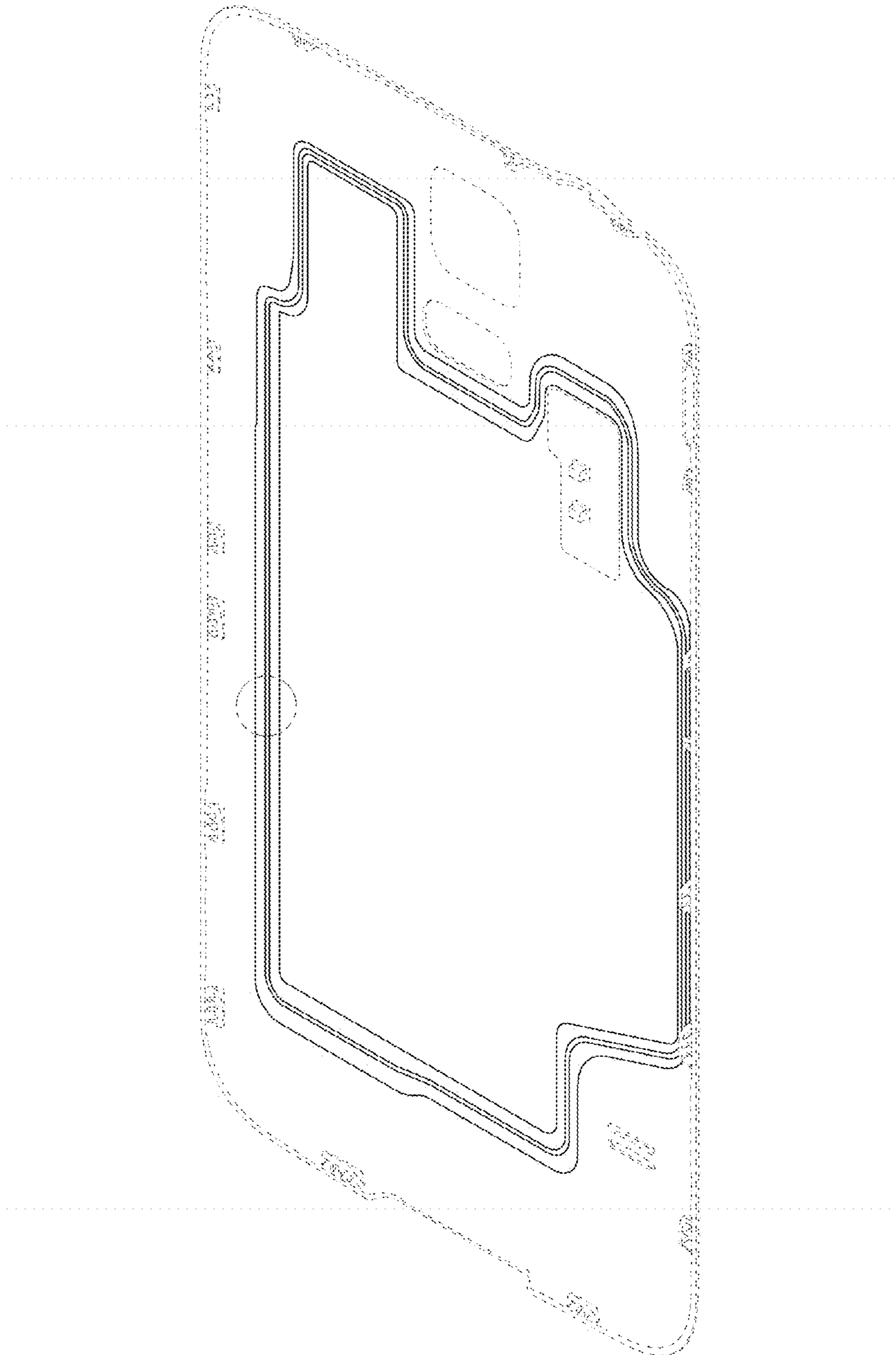


FIG.2

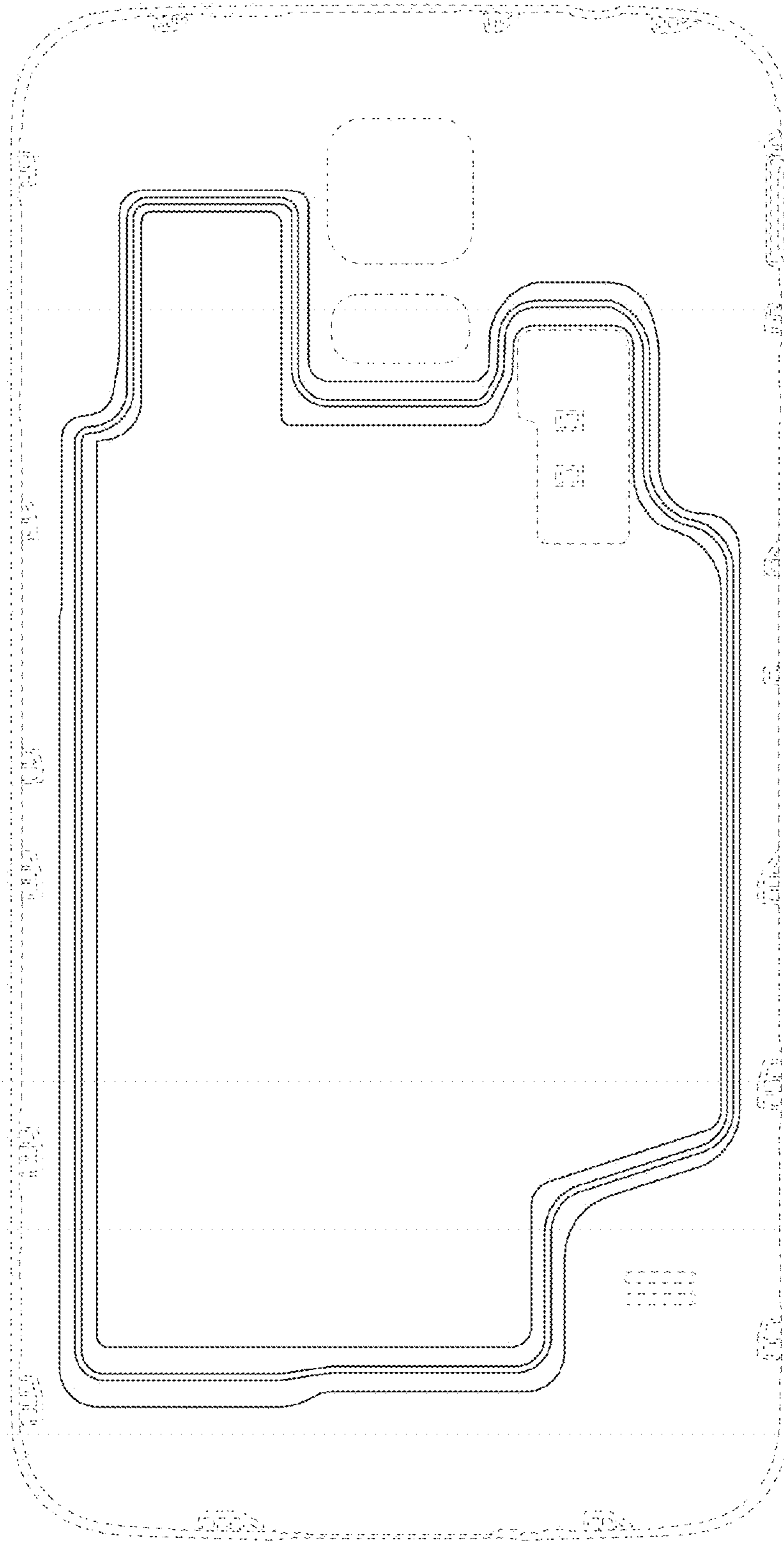


FIG.3

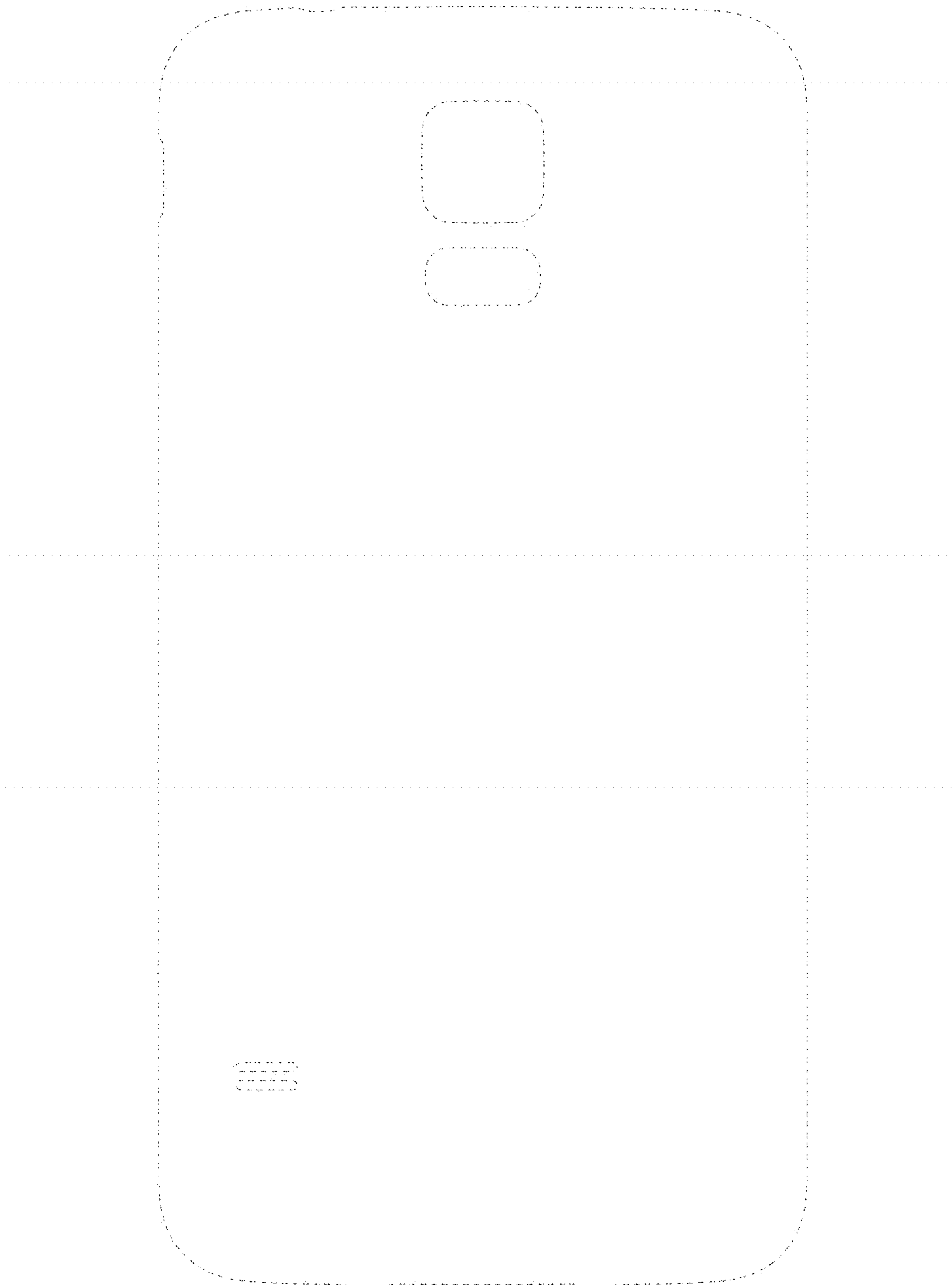


FIG.4

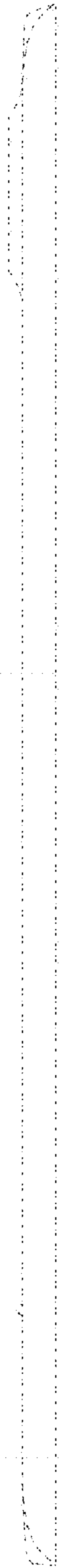


FIG.5

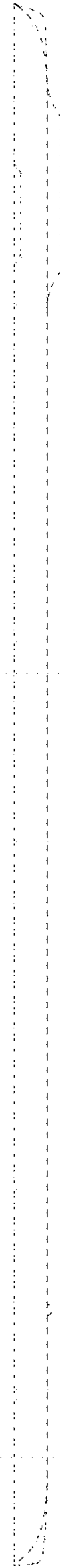


FIG.6

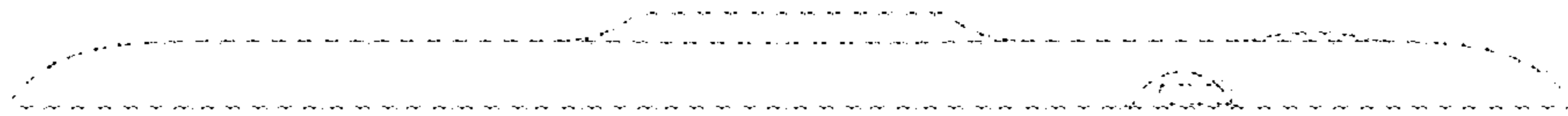


FIG.7

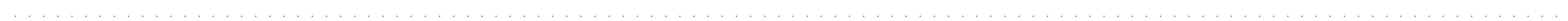
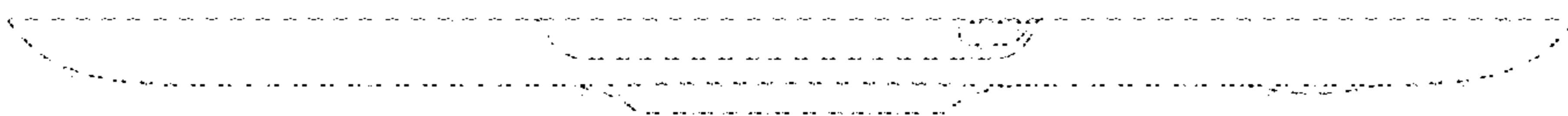


FIG. 8

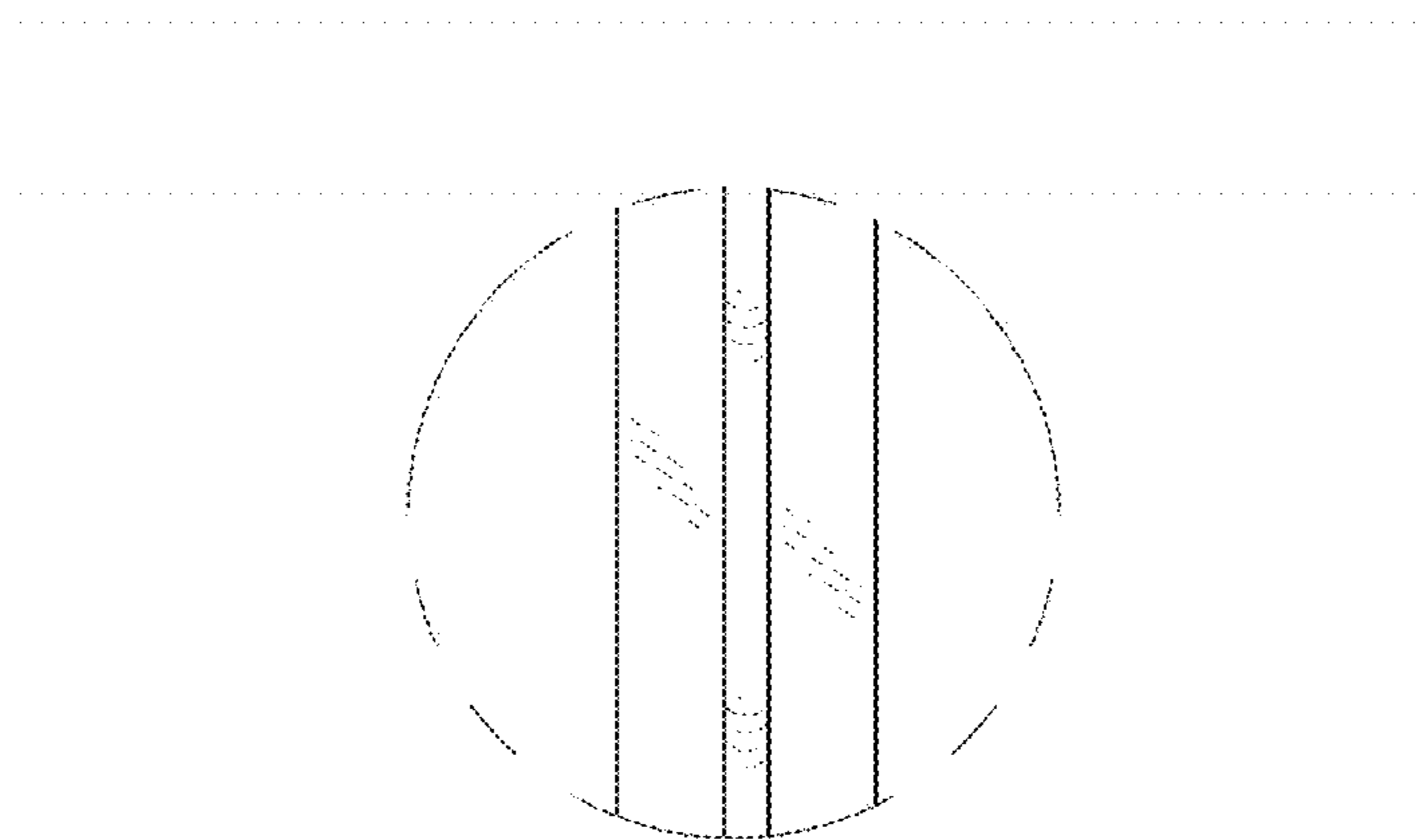


FIG. 9

