



US00D747681S

(12) **United States Design Patent**  
**Lee et al.**

(10) **Patent No.:** **US D747,681 S**  
(45) **Date of Patent:** **\*\* Jan. 19, 2016**

(54) **USB CHARGER**

(71) Applicant: **iOttie, Inc.**, Hackensack, NJ (US)

(72) Inventors: **Kyu Seop Lee**, Basking Ridge, NJ (US);  
**Joo Eun Lee**, Goochland, VA (US);  
**Phisitsuk Paul Sukphisit**, Englewood,  
NJ (US)

(73) Assignee: **IOTTIE, INC.**, New York, NY (US)

(\*\*) Term: **14 Years**

(21) Appl. No.: **29/474,445**

(22) Filed: **Sep. 24, 2014**

(51) **LOC (10) Cl.** ..... **13-02**

(52) **U.S. Cl.**  
USPC ..... **D13/108**; D13/144

(58) **Field of Classification Search**  
USPC ..... D13/102-110, 118-119, 184, 199, 133,  
D13/144; D14/155, 356, 432, 251, 253, 434  
CPC ..... Y02E 60/12; Y02E 60/10; Y02E 60/122;  
Y02E 60/124; Y02E 60/50; Y02T 90/14;  
Y02T 90/122; Y02T 90/128; Y02T 90/163;  
H02J 7/025; H02J 7/0042; H02J 7/0044;  
H02J 7/0045; H02J 7/0003; H02J 7/00;  
H02J 7/0011; H02J 7/0013; H02J 7/0054;  
H02J 7/0055; H02J 7/0057; H02J 2007/0062;  
H01F 38/14; H01R 13/6675; H01M 2/02;  
H01M 2/022; H01M 2/0202; H01M 2/0207;  
H01M 2/0212; H01M 2/1061; H01M 2/1022;  
H01M 2/1055; H01M 2/1066; H01M 2/105;  
H01M 2/20; H01M 2/202; H01M 2/204;  
H01M 2/206; H01M 10/44; H01M 10/46;  
H01M 10/465; H01M 10/482; H01M 10/425;  
H01M 2200/30; H01M 2250/30; H01M  
2250/40; B60L 11/182

See application file for complete search history.

(56) **References Cited**

U.S. PATENT DOCUMENTS

D387,328	S	*	12/1997	Ueda	.....	D13/103
D522,992	S	*	6/2006	Dayan	.....	D14/155
D541,254	S	*	4/2007	Dayan	.....	D14/155
D585,375	S	*	1/2009	Andre	.....	D13/133
D604,699	S	*	11/2009	Yamamoto	.....	D13/108
D618,618	S	*	6/2010	Lee	.....	D13/108
D633,046	S	*	2/2011	Au	.....	D13/144
7,937,040	B2	*	5/2011	Dayan	.....	H04B 1/034 381/2
D711,829	S	*	8/2014	Liu	.....	D13/144
D718,242	S	*	11/2014	Aspinall	.....	D13/144
D722,294	S	*	2/2015	Lee	.....	D13/144
D723,024	S	*	2/2015	Yoo	.....	D14/253
2014/0269649	A1	*	9/2014	Lockerbie	.....	H02J 7/0045 370/338

\* cited by examiner

*Primary Examiner* — Rosemary K Tarcza

*Assistant Examiner* — Sanjeev Paul

(74) *Attorney, Agent, or Firm* — Lucas & Mercanti, LLP

(57) **CLAIM**

The ornamental design for an USB charger, as shown and described.

**DESCRIPTION**

FIG. 1 is a front isometric view of an USB charger showing our new design;

FIG. 2 is a rear isometric view thereof;

FIG. 3 is a front side view thereof;

FIG. 4 is a rear side view thereof;

FIG. 5 is a top side view thereof;

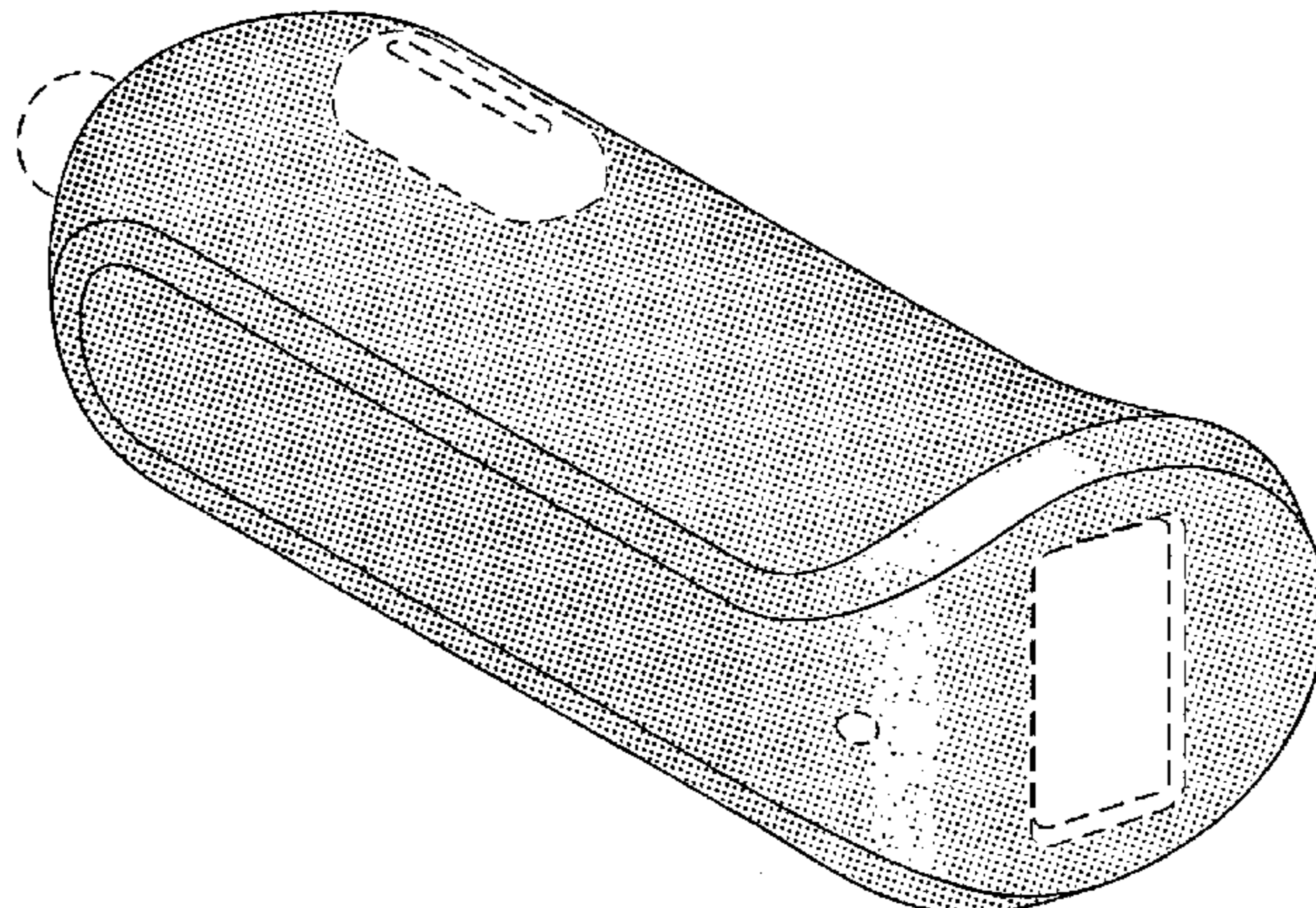
FIG. 6 is a bottom side view thereof;

FIG. 7 is a right side view thereof; and,

FIG. 8 is a left side view thereof.

The broken lines immediately adjacent to the shaded area represent unclaimed boundaries of the design. All other broken lines in the figures show portions of the USB charger for environmental purposes only and form no part of the claimed design.

**1 Claim, 8 Drawing Sheets**



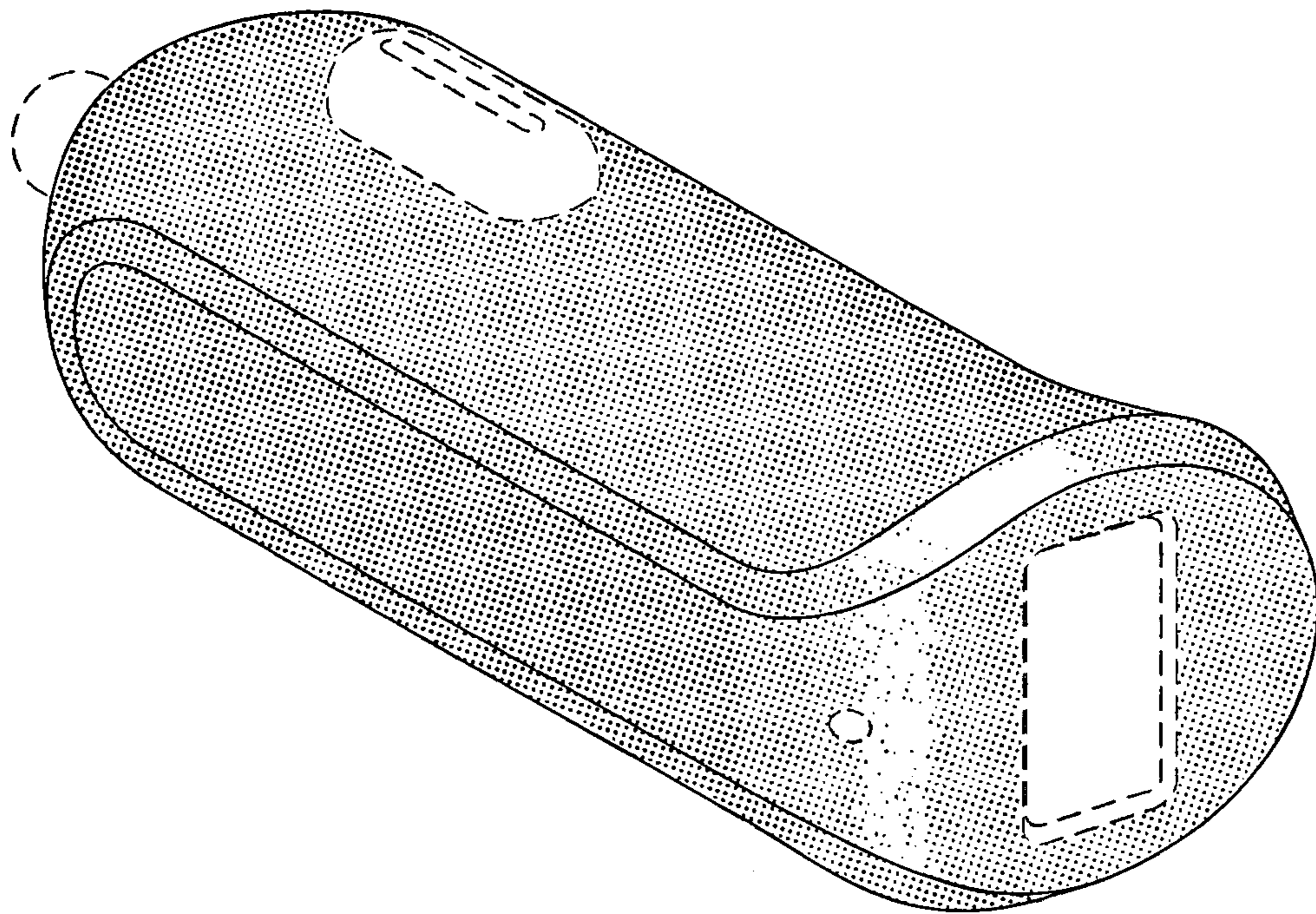


FIGURE 1

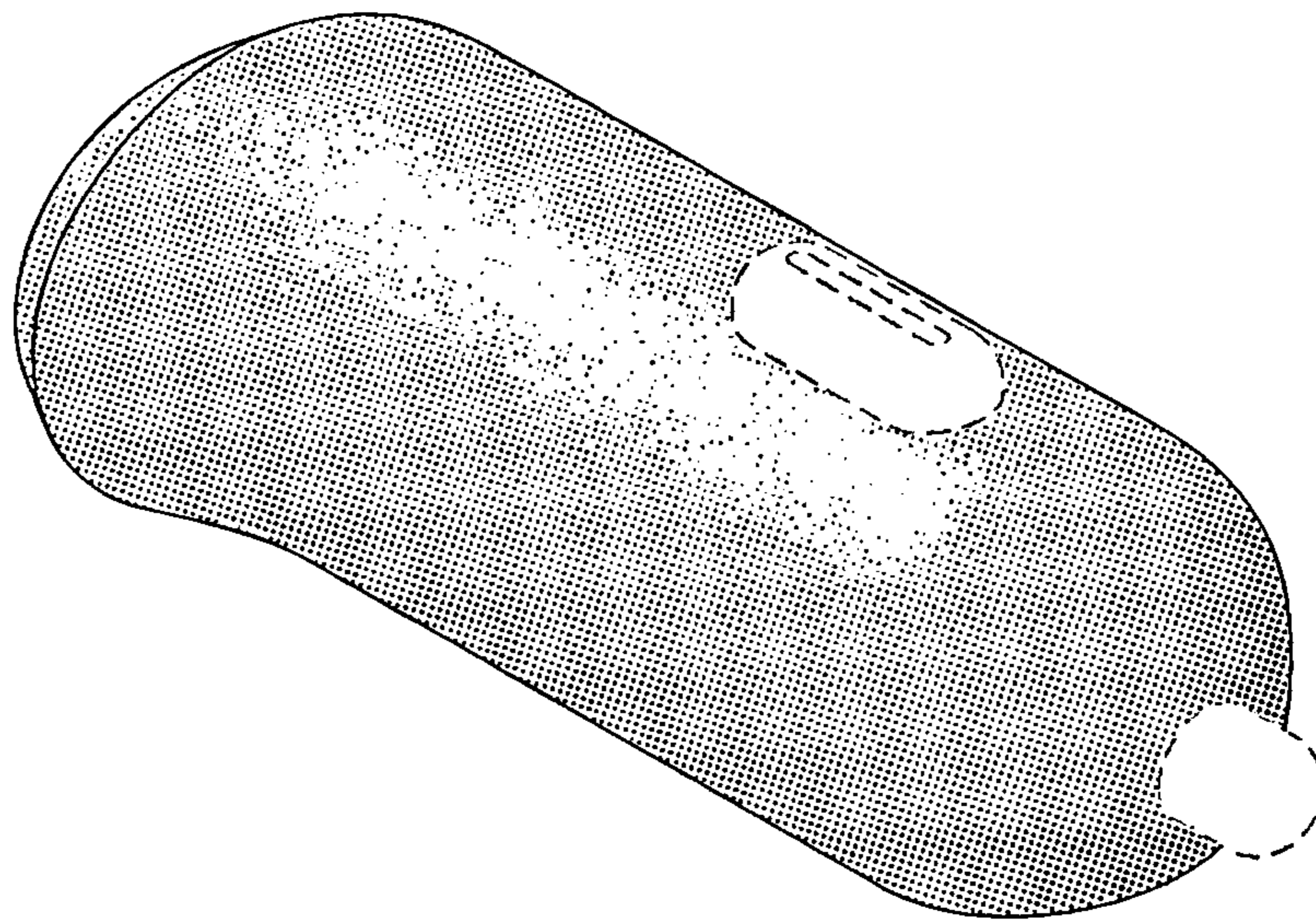


FIGURE 2

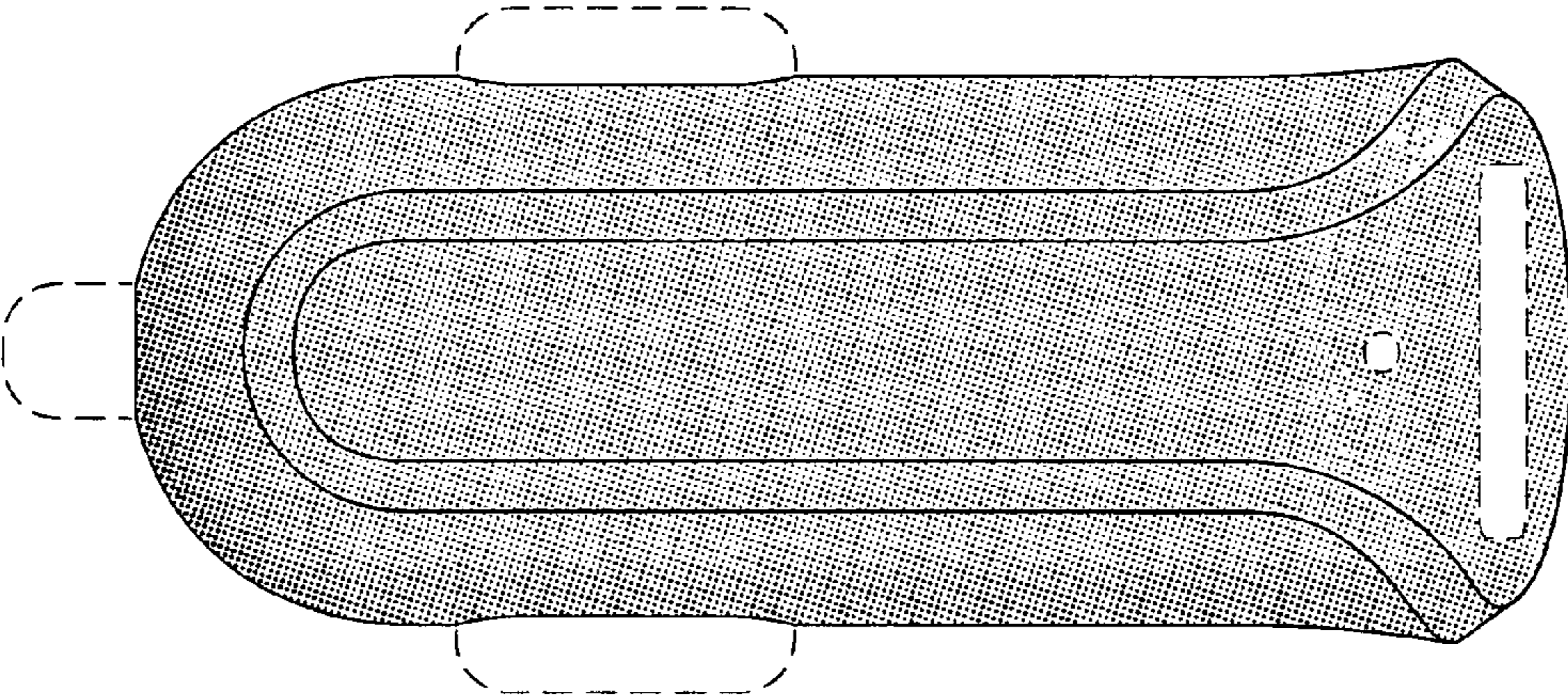


FIGURE 3

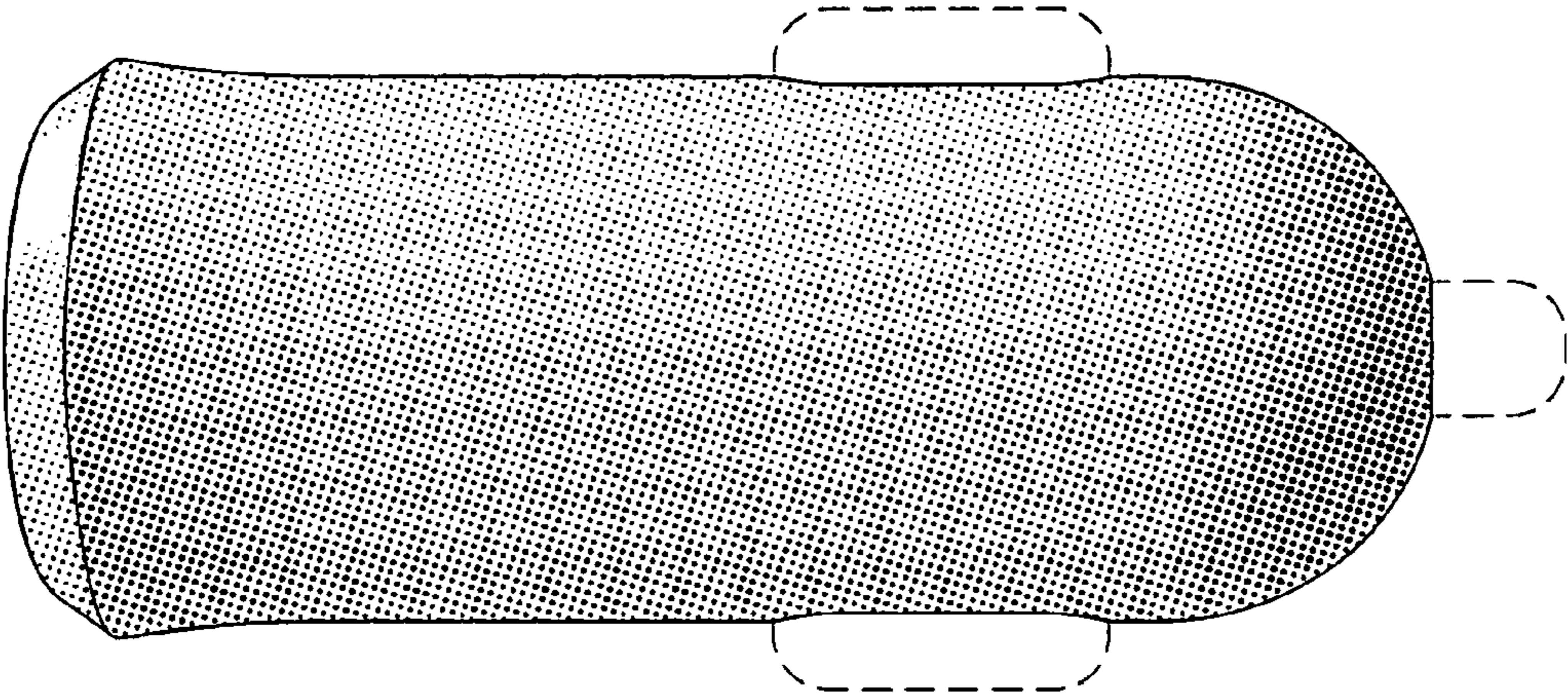


FIGURE 4

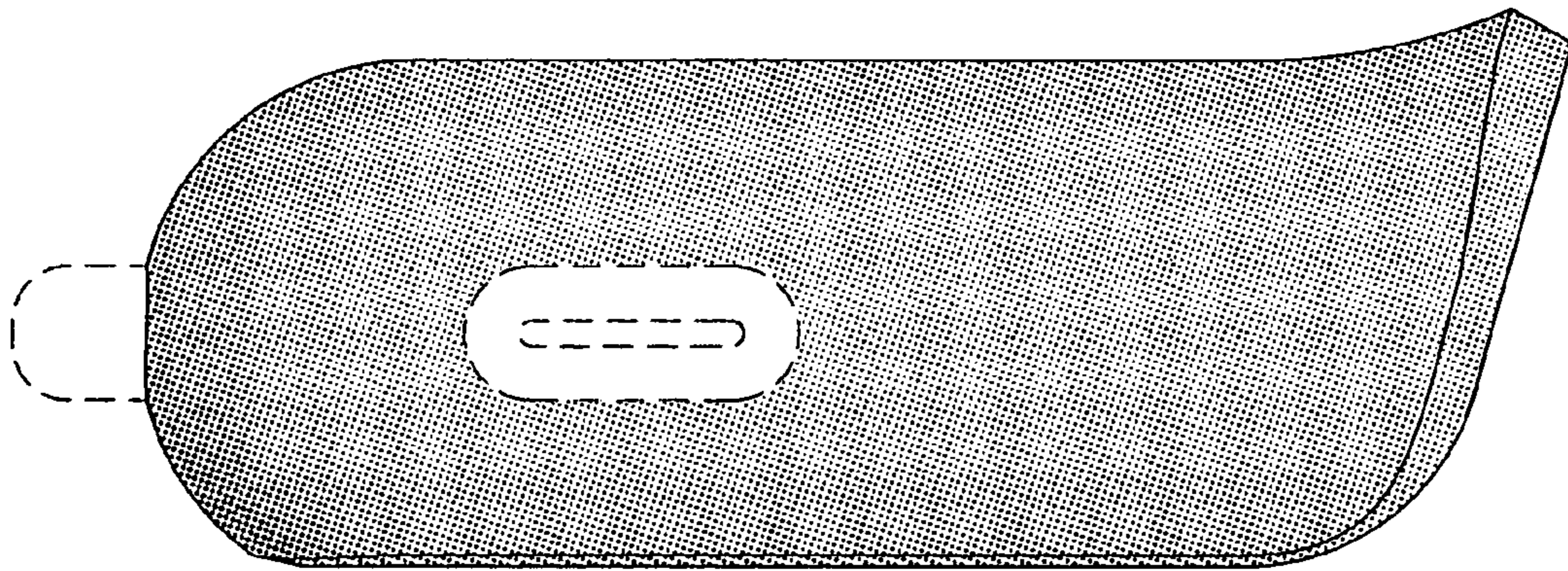


FIGURE 5

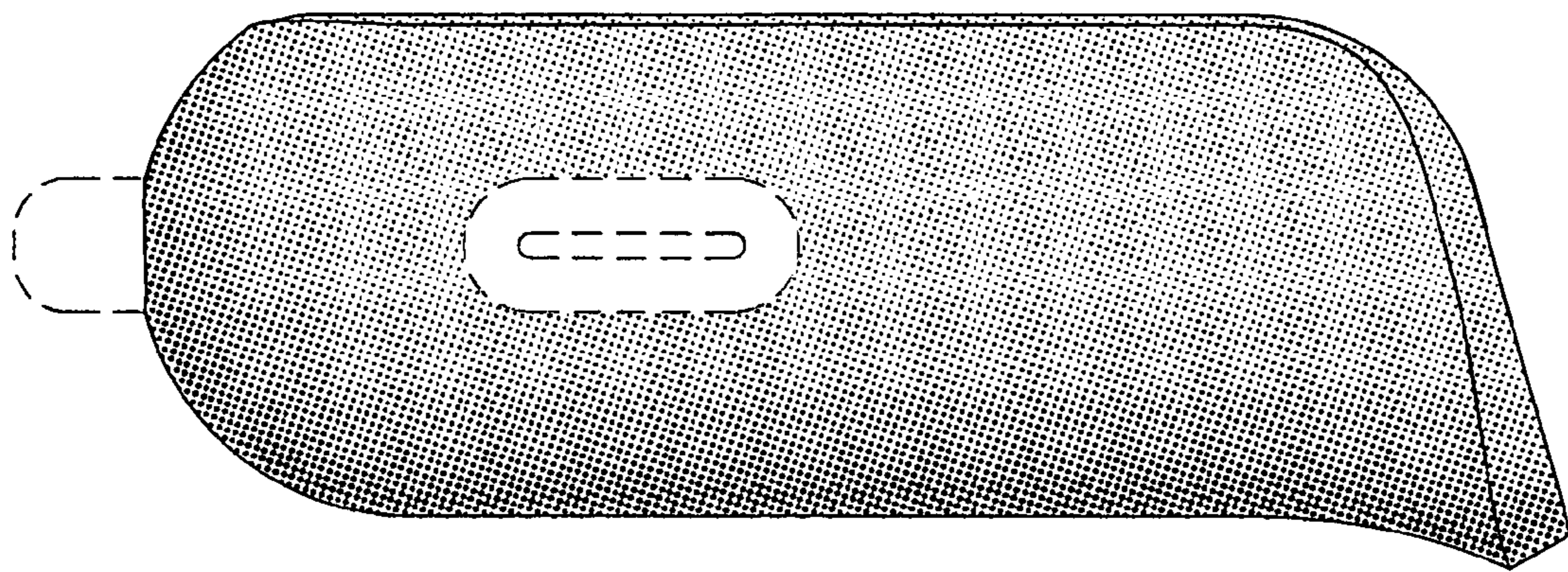


FIGURE 6

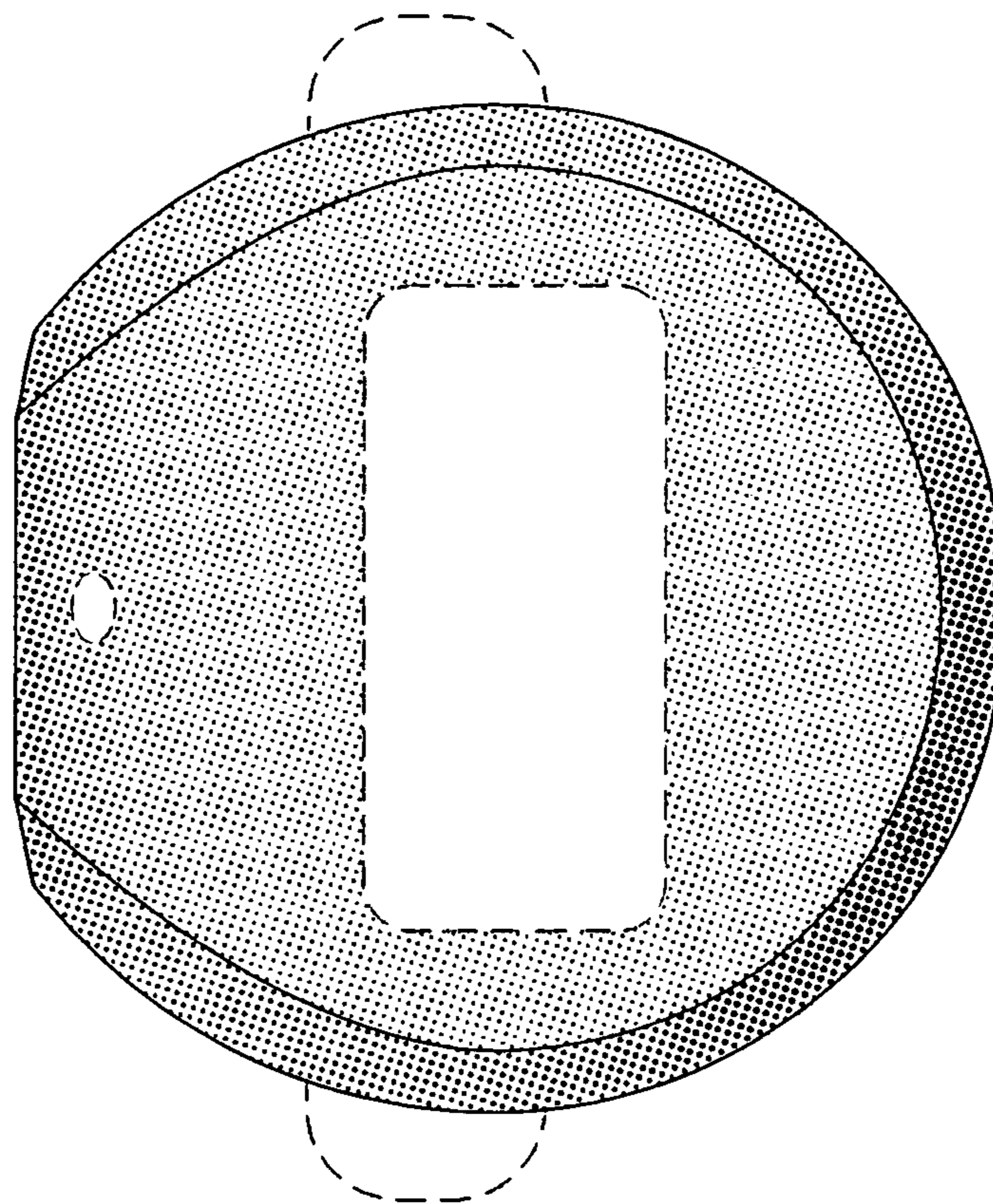


FIGURE 7



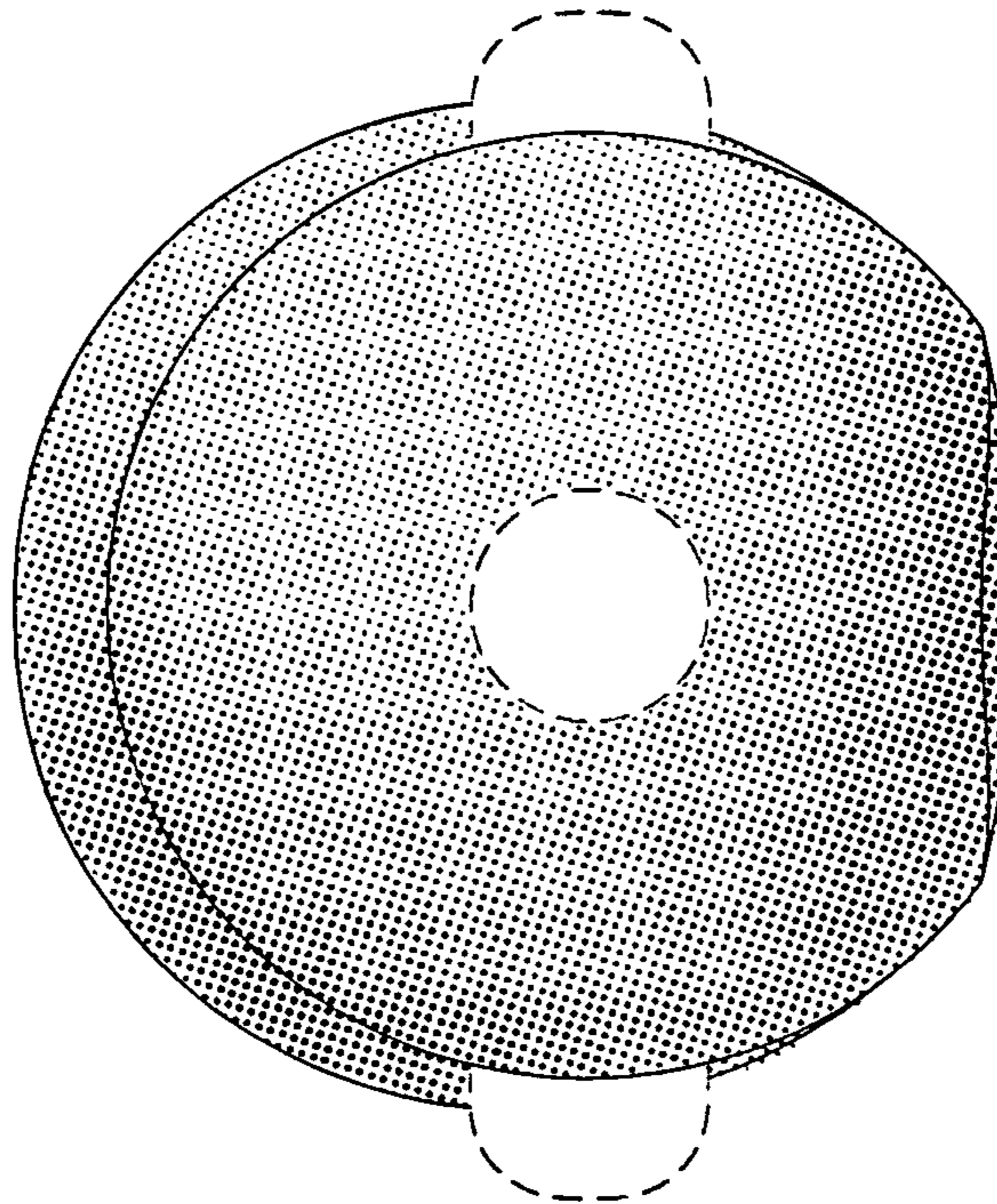


FIGURE 8