



US00D747676S

(12) **United States Design Patent**
Chung

(10) **Patent No.:** **US D747,676 S**
(45) **Date of Patent:** **** Jan. 19, 2016**

(54) **AUTOMOTIVE WHEEL**

(71) Applicant: **Suny Chung**, Anaheim, CA (US)

(72) Inventor: **Suny Chung**, Anaheim, CA (US)

(**) Term: **15 Years**

(21) Appl. No.: **29/538,584**

(22) Filed: **Sep. 4, 2015**

(51) **LOC (10) Cl.** **12-16**

(52) **U.S. Cl.**
USPC **D12/211**

(58) **Field of Classification Search**
USPC D12/204–213
CPC B60B 7/00; B60B 7/02; B60B 7/04;
B60B 7/01; B60B 7/06; B60B 3/02; B60B
3/04; B60B 3/06; B60B 3/10; B60B 1/00;
B60B 1/08; B60B 1/10; B60B 1/12
See application file for complete search history.

(56) **References Cited**

U.S. PATENT DOCUMENTS

- D375,716 S * 11/1996 Dehner D12/209
- D481,345 S * 10/2003 O'Connell D12/211
- D513,222 S * 12/2005 Pohanka D12/211

- D567,739 S * 4/2008 Kim D12/211
- D569,322 S * 5/2008 Scheu D12/211
- D588,517 S * 3/2009 Aroney D12/211
- D590,322 S * 4/2009 Rak D12/211
- D655,657 S * 3/2012 Juergens D12/209
- D660,767 S * 5/2012 von Holzhausen D12/209
- D666,958 S * 9/2012 Suzuki D12/211
- D676,794 S * 2/2013 Hilpert D12/209
- D678,163 S * 3/2013 Tirado D12/209
- D686,132 S * 7/2013 Truebsbach D12/209
- D691,081 S * 10/2013 Watkin D12/211
- D697,861 S * 1/2014 Lemke D12/211
- D726,628 S * 4/2015 Kong D12/211
- D730,799 S * 6/2015 Hans D12/209

* cited by examiner

Primary Examiner — Stacia Cadmus

(57) **CLAIM**
The ornamental design for an automotive wheel, as shown and described.

DESCRIPTION

FIG. 1 is a perspective view of an automotive wheel, showing my new design; and, FIG. 2 is a front view thereof. The broken line showing of the rear portion of the wheel is included for the purpose of illustrating environment and forms no part of the claimed design.

1 Claim, 2 Drawing Sheets

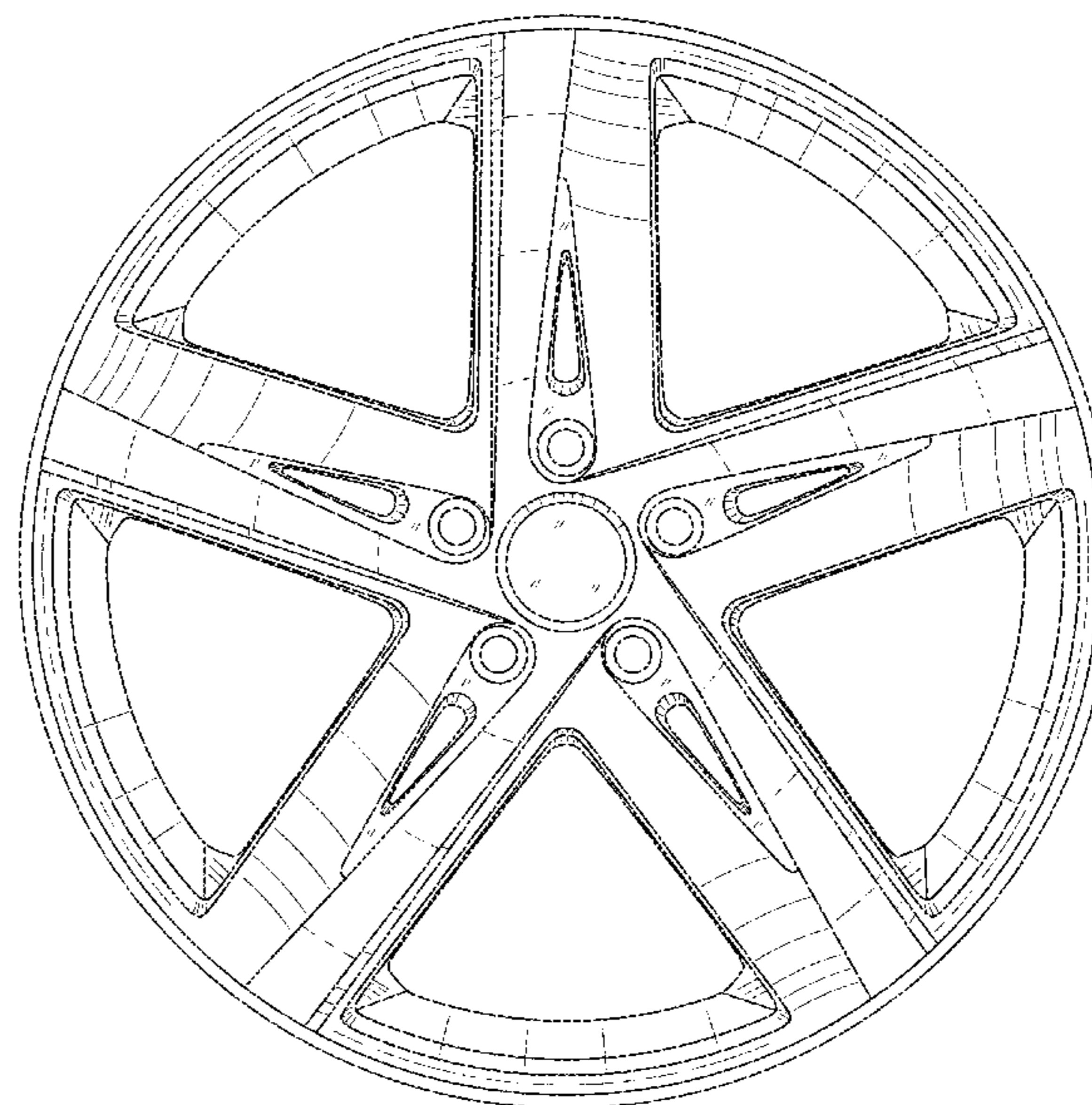
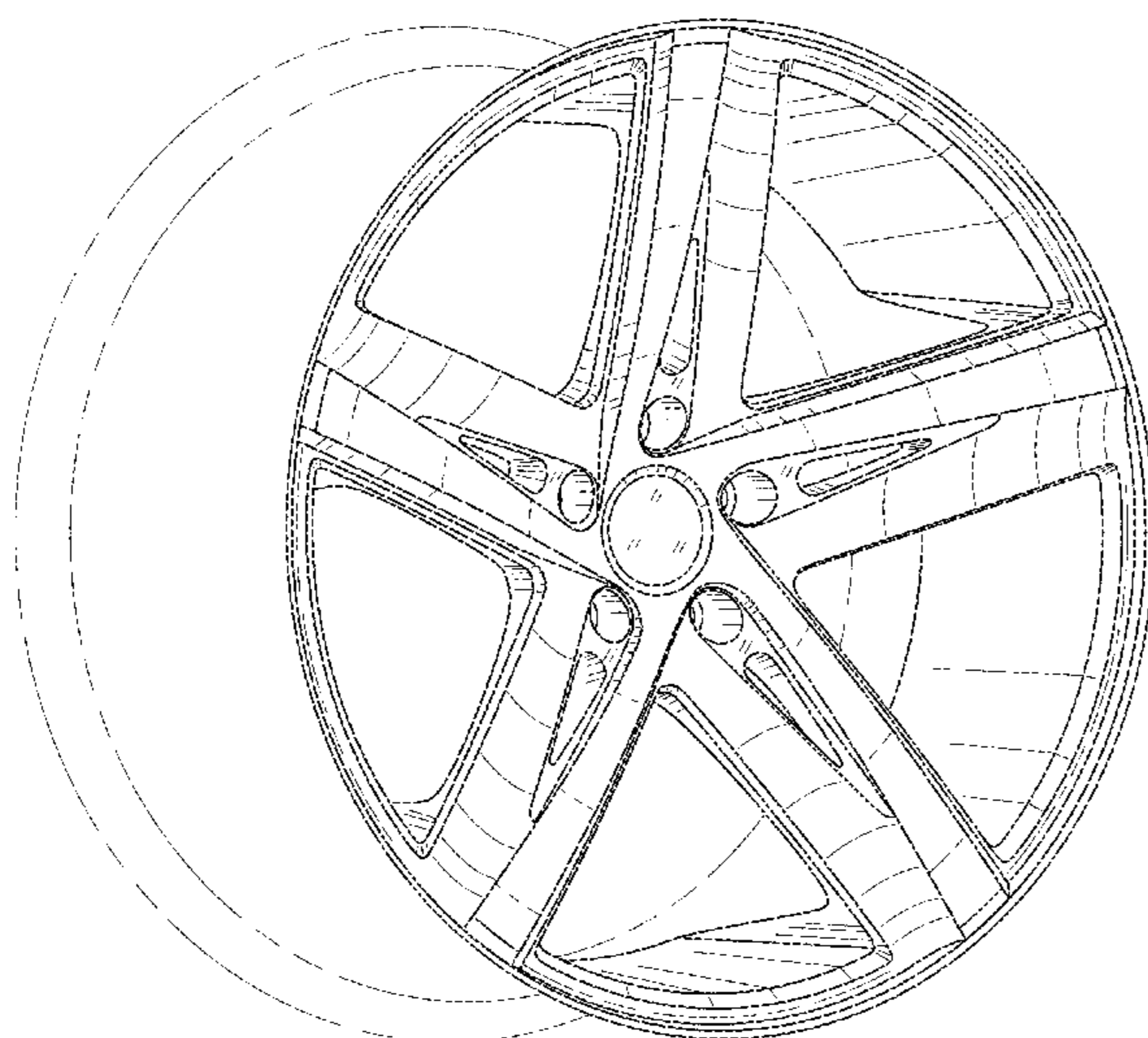


FIGURE 1

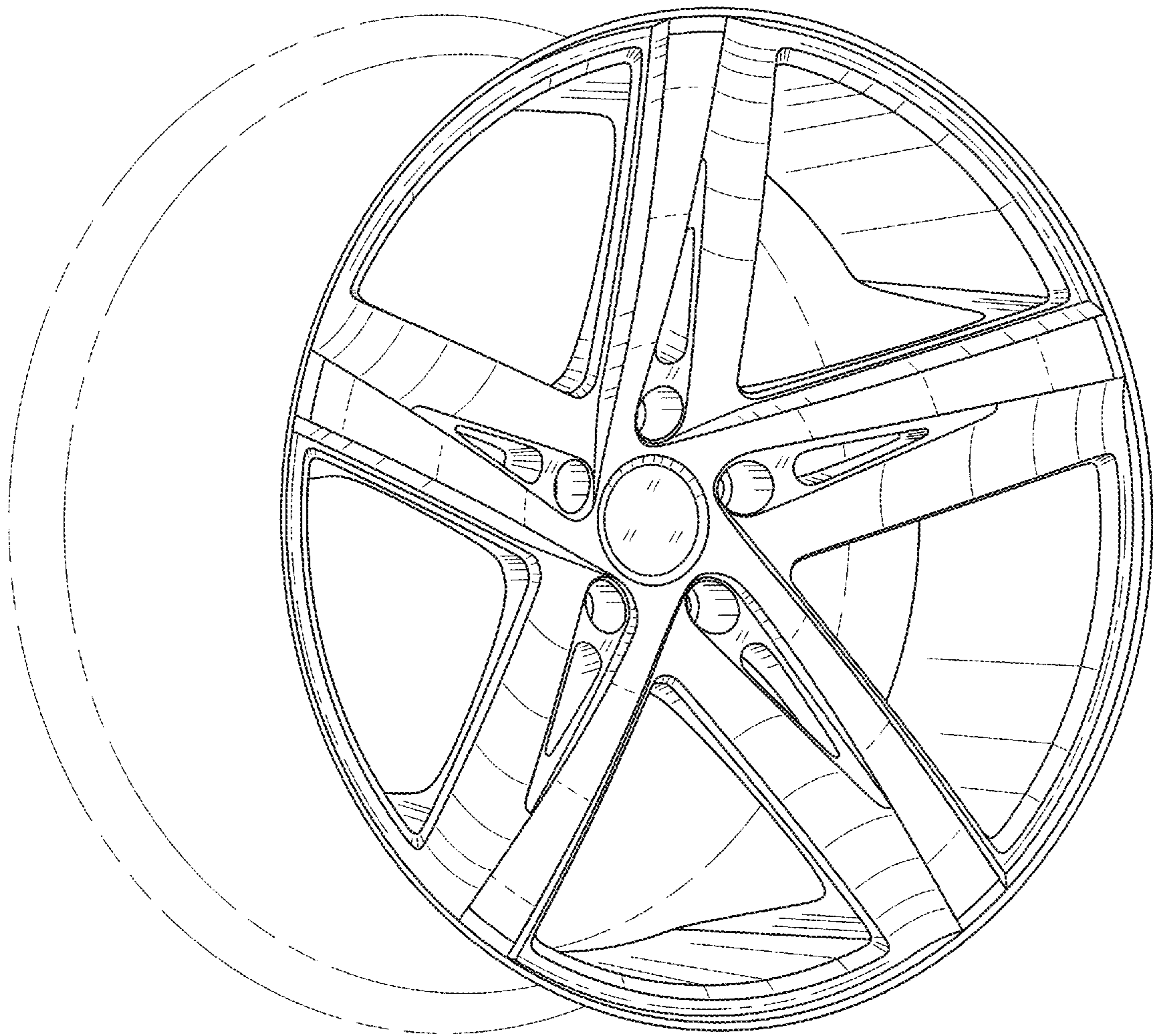


FIGURE 2

