



US00D747675S

(12) **United States Design Patent**  
**Johnson**

(10) **Patent No.:** **US D747,675 S**  
(45) **Date of Patent:** **\*\* Jan. 19, 2016**

(54) **AUTOMOTIVE WHEEL**

(71) Applicant: **Kelly R. Johnson**, City of Industry, CA (US)

(72) Inventor: **Kelly R. Johnson**, City of Industry, CA (US)

(73) Assignee: **THE WHEEL GROUP**, City of Industry, CA (US)

(\*\*) Term: **15 Years**

(21) Appl. No.: **29/530,585**

(22) Filed: **Jun. 17, 2015**

(51) **LOC (10) Cl.** ..... **12-16**

(52) **U.S. Cl.**  
USPC ..... **D12/211**

(58) **Field of Classification Search**  
USPC ..... D12/204–213  
CPC ..... B60B 7/00; B60B 7/02; B60B 7/04;  
B60B 7/01; B60B 7/06; B60B 3/02; B60B  
3/04; B60B 3/06; B60B 3/10; B60B 1/00;  
B60B 1/08; B60B 1/10; B60B 1/12  
See application file for complete search history.

(56) **References Cited**

**U.S. PATENT DOCUMENTS**

D402,249 S \* 12/1998 Kulla ..... D12/209  
D451,062 S \* 11/2001 Yoshida ..... D12/209  
D461,153 S \* 8/2002 Koyama ..... D12/209

D476,285 S \* 6/2003 Yoshida ..... D12/211  
D499,058 S \* 11/2004 Iwauchi ..... D12/209  
D501,441 S \* 2/2005 Rosenbohm ..... D12/211  
D504,096 S \* 4/2005 Nakagawa ..... D12/209  
D513,221 S \* 12/2005 Pfeiffer ..... D12/211  
D516,978 S \* 3/2006 Muzzarelli ..... D12/209  
D538,731 S \* 3/2007 Iwauchi ..... D12/211  
D581,852 S \* 12/2008 Scheu ..... D12/211  
D584,209 S \* 1/2009 Klimas ..... D12/209  
D589,863 S \* 4/2009 Huet ..... D12/209  
D595,201 S \* 6/2009 Antoniadis ..... D12/211  
D597,013 S \* 7/2009 Chung ..... D12/211  
D619,524 S \* 7/2010 Gabath ..... D12/209  
D630,146 S \* 1/2011 Finnie ..... D12/211  
D655,660 S \* 3/2012 Stucki ..... D12/209  
D671,877 S \* 12/2012 Roura ..... D12/209  
D682,176 S \* 5/2013 Badstuebner ..... D12/209  
D740,191 S \* 10/2015 Webber ..... D12/209

\* cited by examiner

*Primary Examiner* — Stacia Cadmus

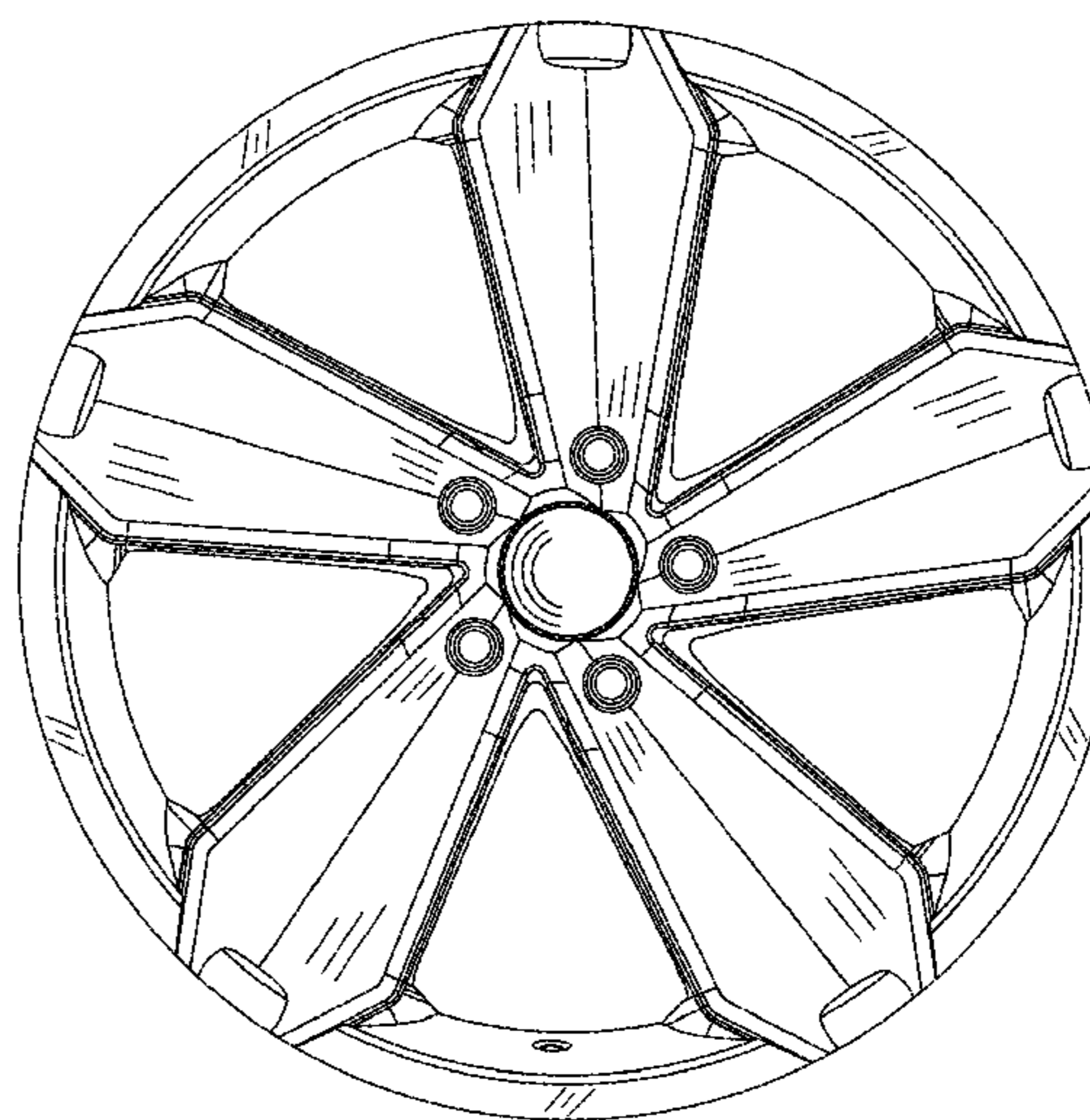
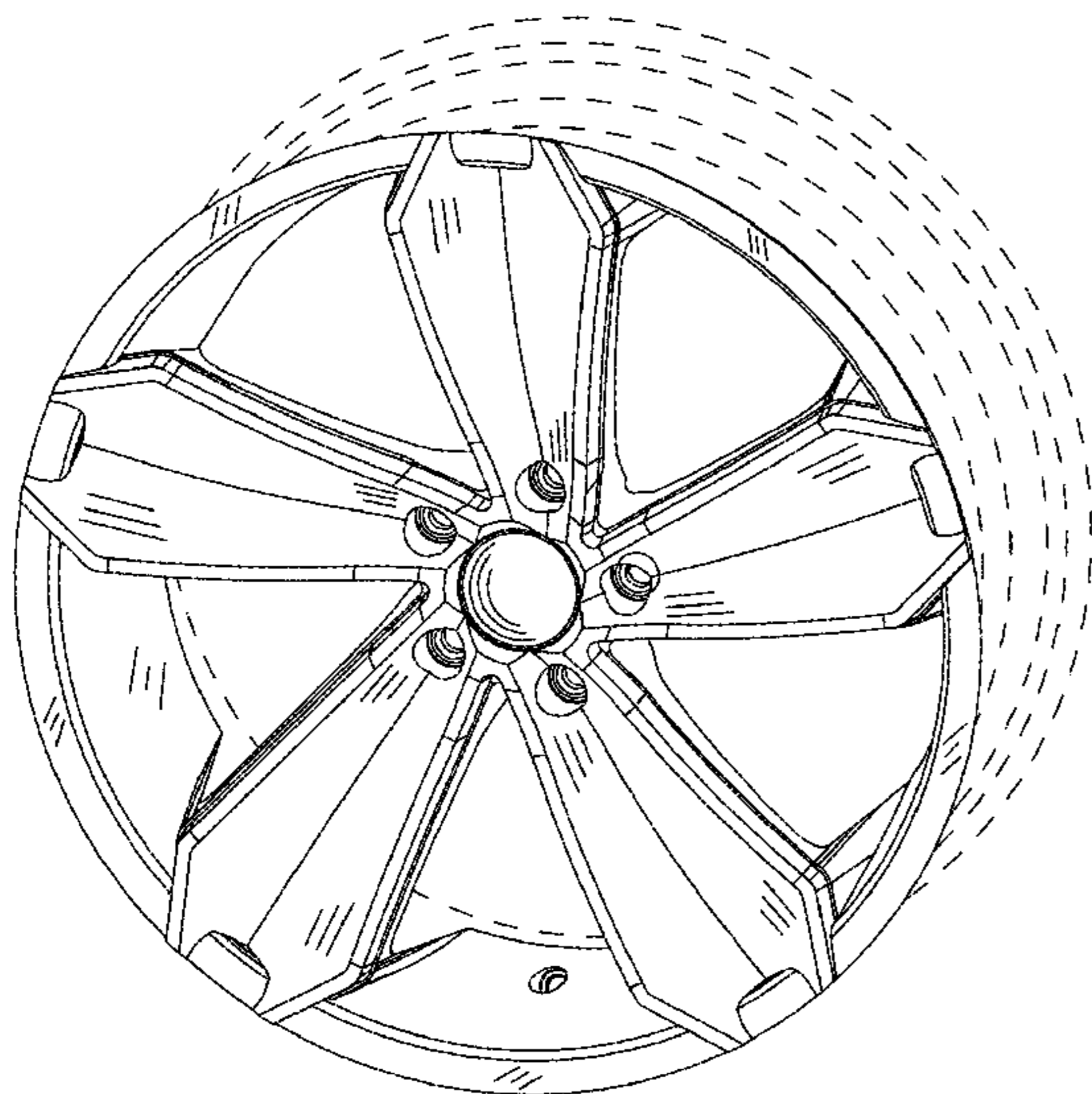
(57) **CLAIM**

The ornamental design for an automotive wheel, as shown and described.

**DESCRIPTION**

FIG. 1 is a perspective view of an automotive wheel showing my new design; and, FIG. 2 is a front elevational view thereof. The broken line showing of the rear portion of the rim is included for the purpose of illustrating environment and forms no part of the claimed design.

**1 Claim, 2 Drawing Sheets**



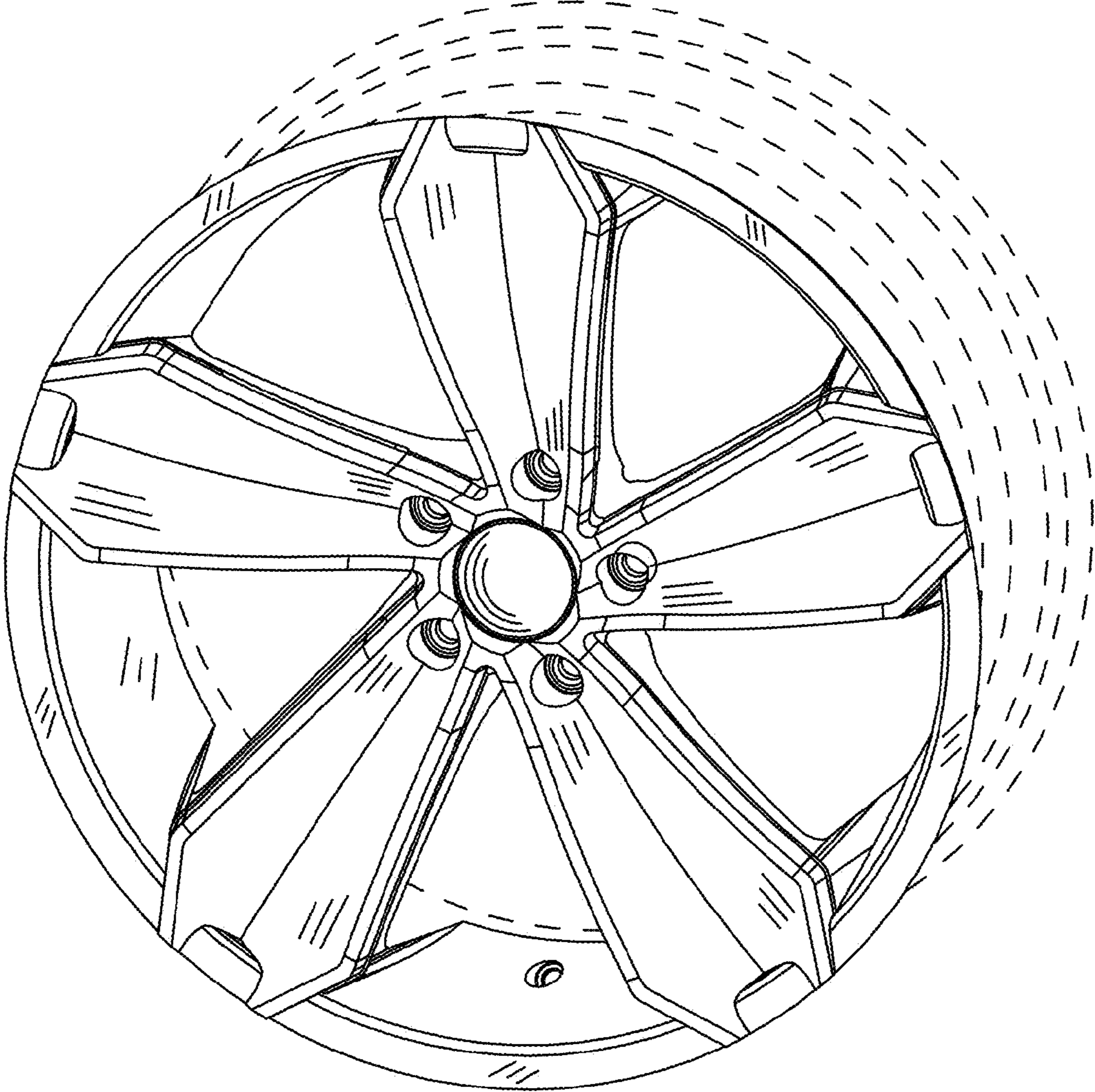


FIG.1



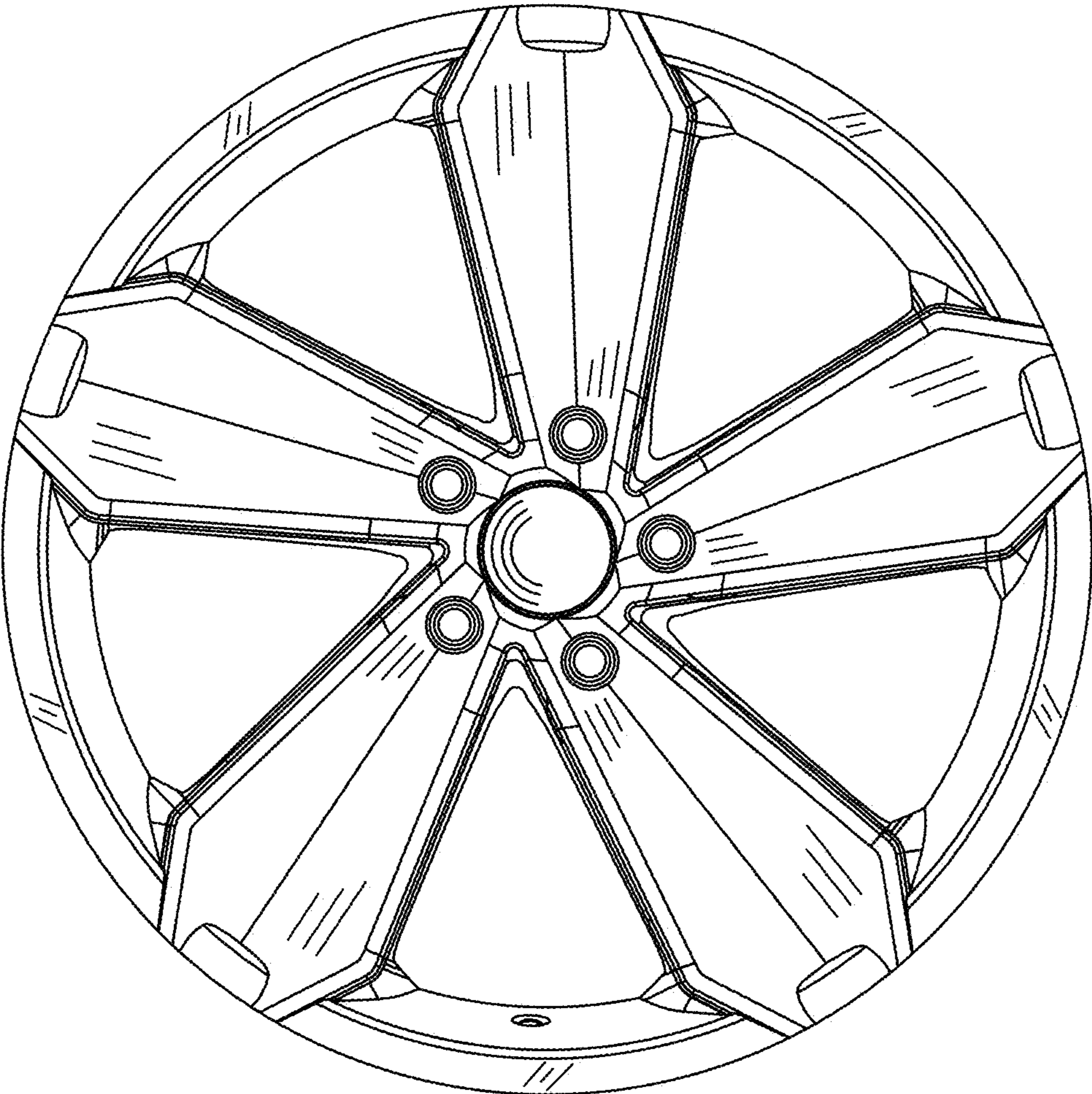


FIG. 2