



US00D747672S

(12) **United States Design Patent**
Pasfield

(10) **Patent No.:** **US D747,672 S**
(45) **Date of Patent:** **** Jan. 19, 2016**

- (54) **ELECTRIC BRAKE DRUM**
- (71) Applicant: **R.V. Electronics Pty Ltd**, Holden Hill (AU)
- (72) Inventor: **Colin Pasfield**, Holden Hill (AU)
- (73) Assignee: **R.V. Electronics Pty Ltd**, Holden Hill, South Australia (AU)
- (**) Term: **14 Years**
- (21) Appl. No.: **29/510,924**
- (22) Filed: **Dec. 4, 2014**
- (30) **Foreign Application Priority Data**
Jul. 3, 2014 (AU) 201413255
- (51) **LOC (10) Cl.** **12-16**
- (52) **U.S. Cl.**
USPC **D12/180**
- (58) **Field of Classification Search**
USPC D12/180; 188/412, 413, 415, 416; 192/324, 328, 333
CPC F16D 65/12; F16D 65/123
See application file for complete search history.

| | | | | |
|-------------------|---------|-----------|-------|--------------------------|
| D565,487 S * | 4/2008 | Zhang | | D12/180 |
| D723,983 S * | 3/2015 | Blanca | | D12/180 |
| 2007/0289826 A1 * | 12/2007 | Suryatama | | F16D 65/10 188/218 R |
| 2011/0297495 A1 * | 12/2011 | Hanna | | F16D 65/10 188/218 R |
| 2013/0153345 A1 * | 6/2013 | Kuckert | | F16D 65/12 188/218 XL |
| 2014/0069752 A1 * | 3/2014 | Fakhoury | | F16D 65/827 188/218 R |
| 2015/0083532 A1 * | 3/2015 | Bordere | | F16D 65/10 188/218 R |
| 2015/0167765 A1 * | 6/2015 | Plantan | | F16D 65/22 188/332 |

* cited by examiner

Primary Examiner — Philip S Hyder
Assistant Examiner — Darlington Ly
(74) *Attorney, Agent, or Firm* — Sand & Sebolt

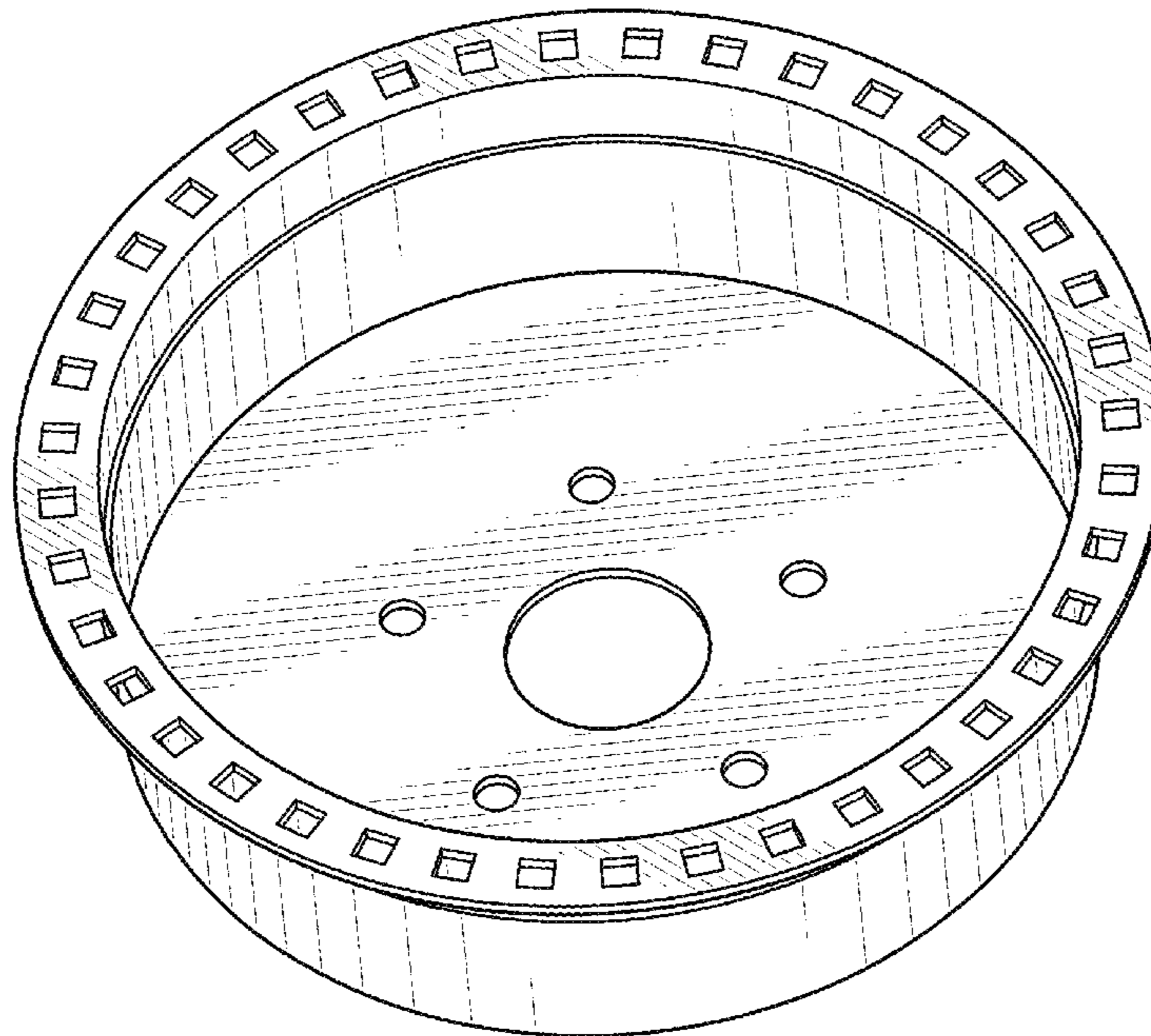
(57) **CLAIM**
The ornamental design for an electric brake drum, as shown and described.

DESCRIPTION

FIG. 1 is a top perspective view of a flanged brake drum cover in accordance with my design;
FIG. 2 is a bottom perspective view thereof;
FIG. 3 is a top view thereof;
FIG. 4 is a bottom view thereof;
FIG. 5 is a front view thereof;
FIG. 6 is a rear view thereof;
FIG. 7 is a left side view thereof;
FIG. 8 is a right side view thereof; and,
FIG. 9 is a cross-sectional view thereof taken along cut line 9-9 in FIG. 3.

1 Claim, 7 Drawing Sheets

- (56) **References Cited**
U.S. PATENT DOCUMENTS
D266,922 S * 11/1982 Reynolds D12/180
6,053,990 A * 4/2000 Persson C22C 37/10
148/321
6,572,712 B2 * 6/2003 Powell C22C 33/08
148/321
D476,932 S * 7/2003 Fishburn D12/180



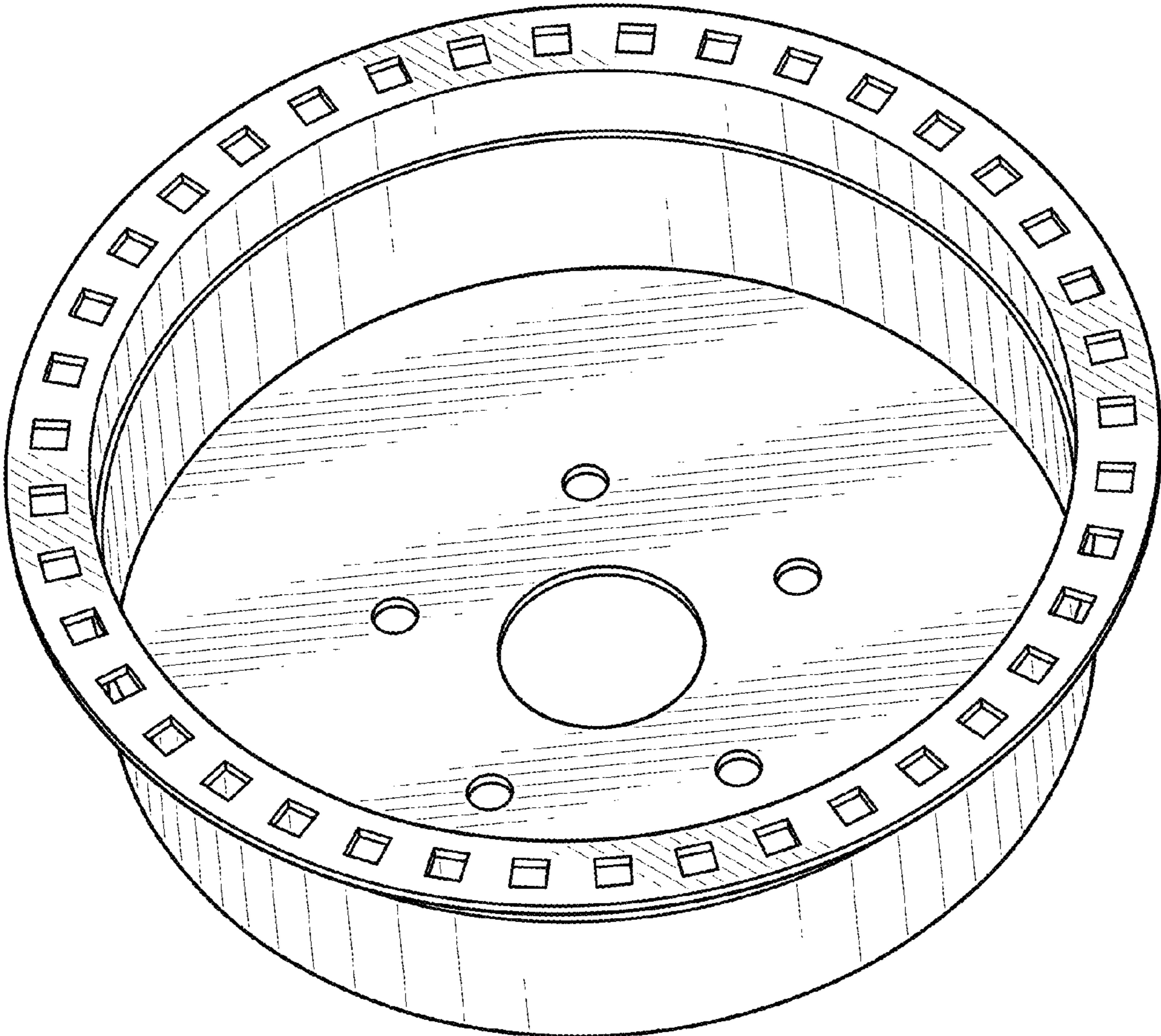


FIG-1

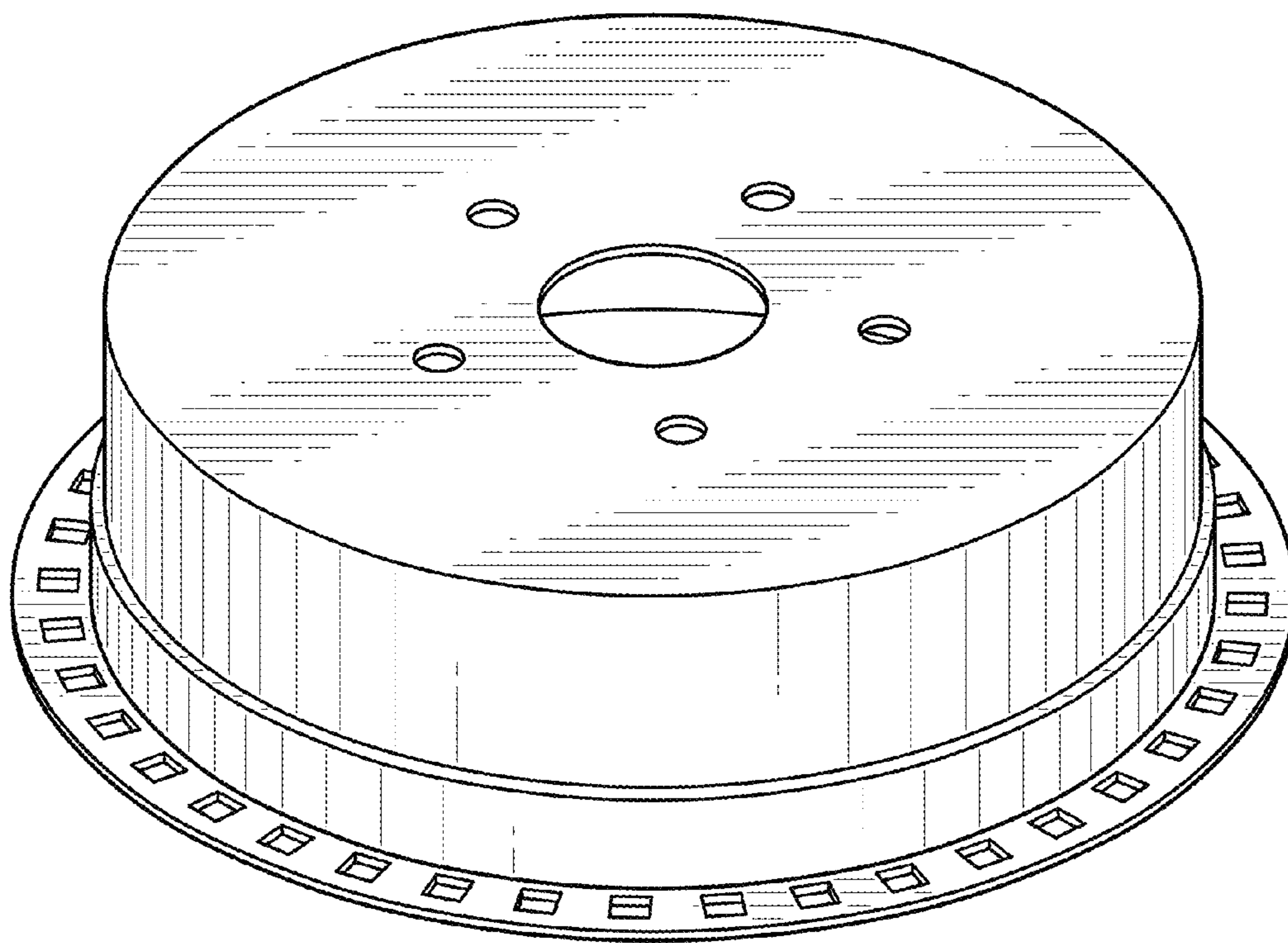


FIG-2

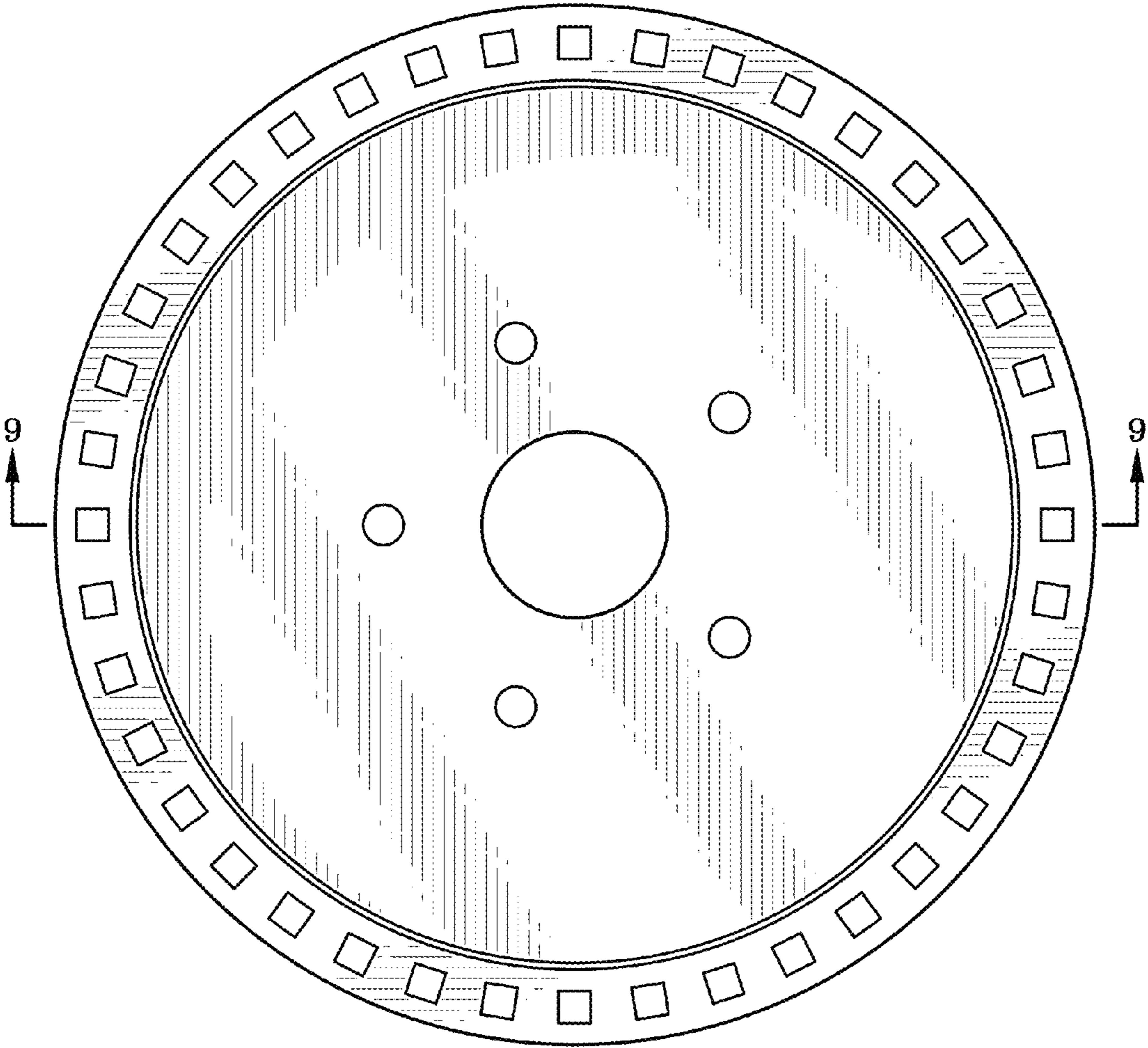


FIG-3

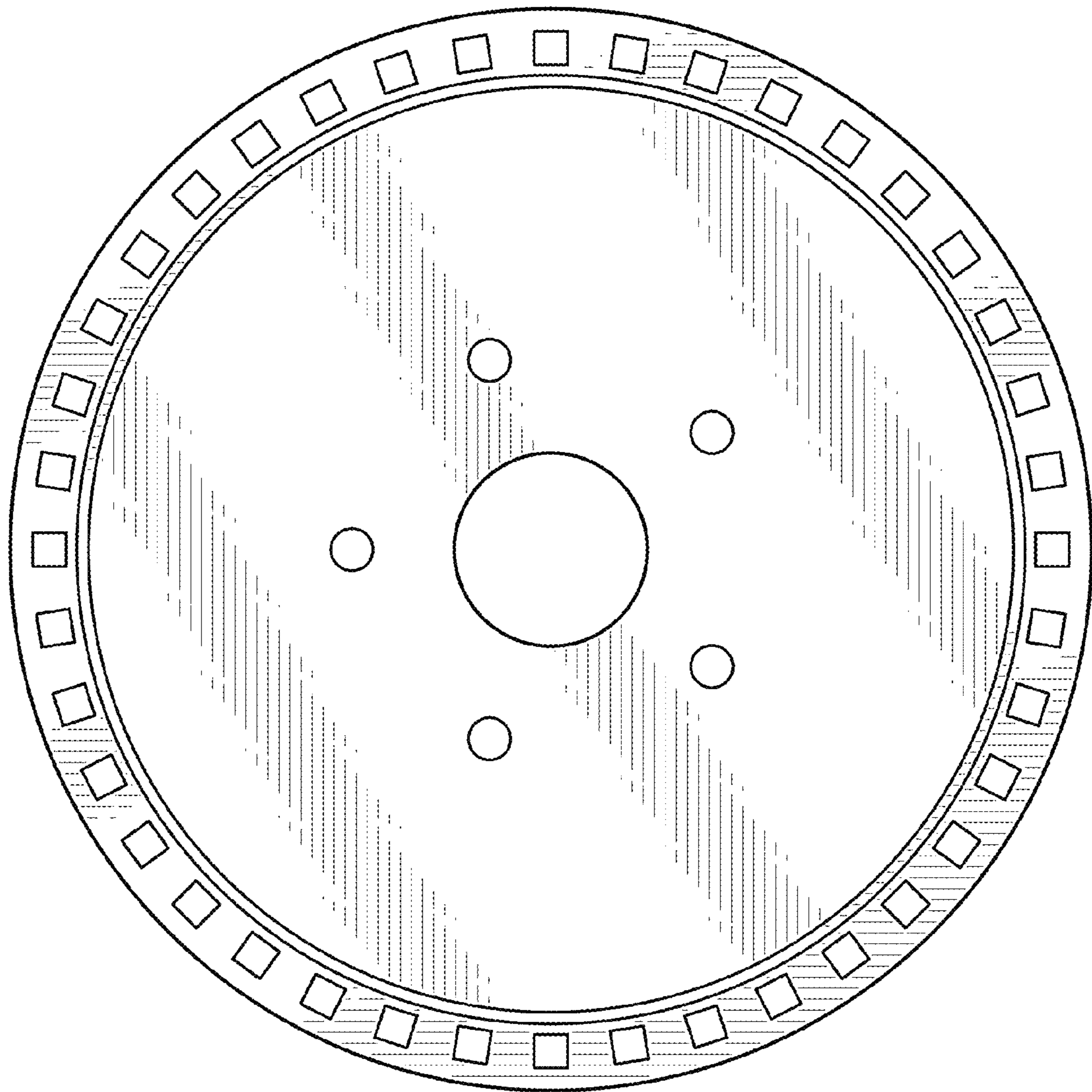


FIG-4

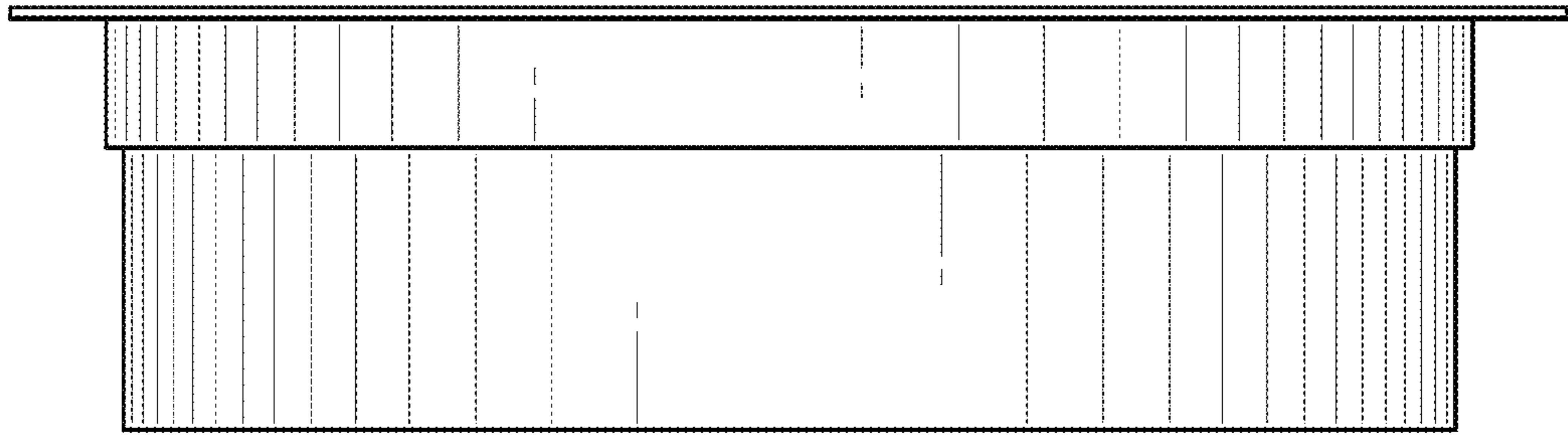


FIG-5

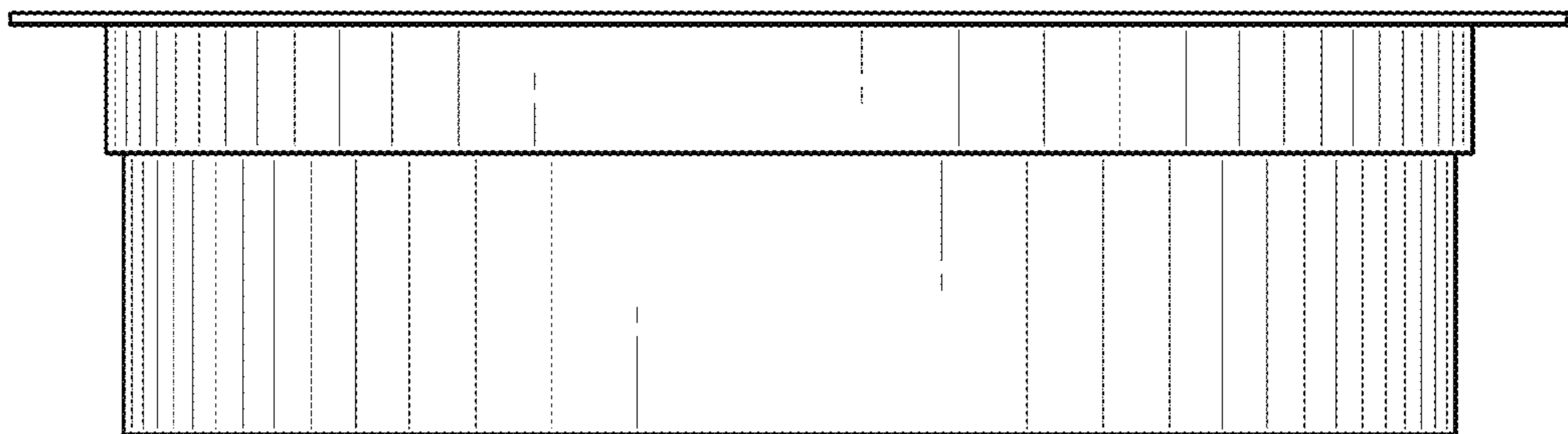


FIG-6

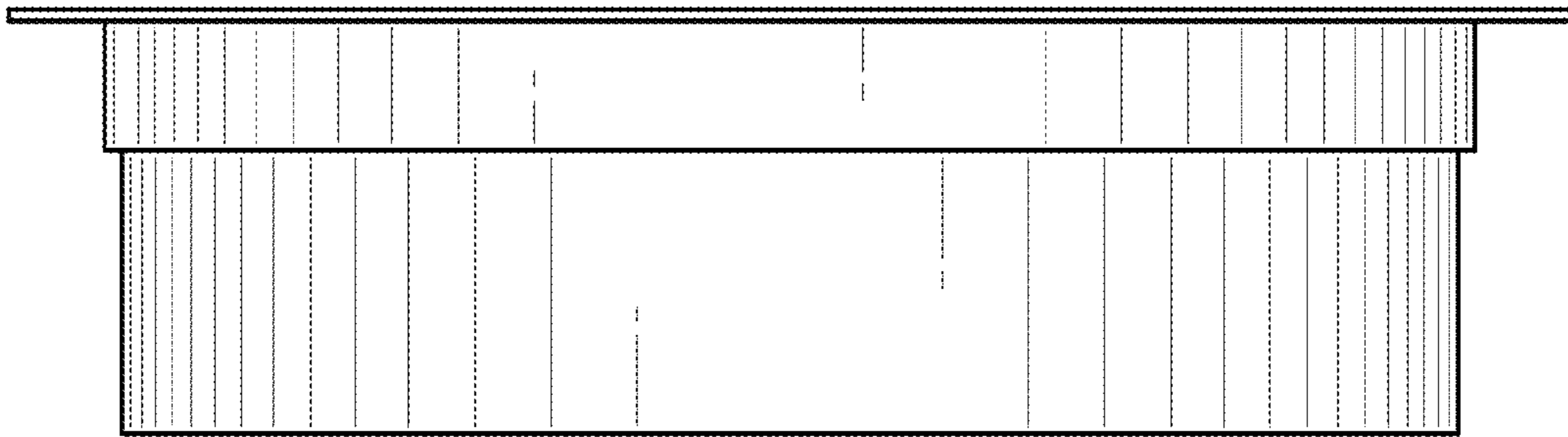


FIG-7

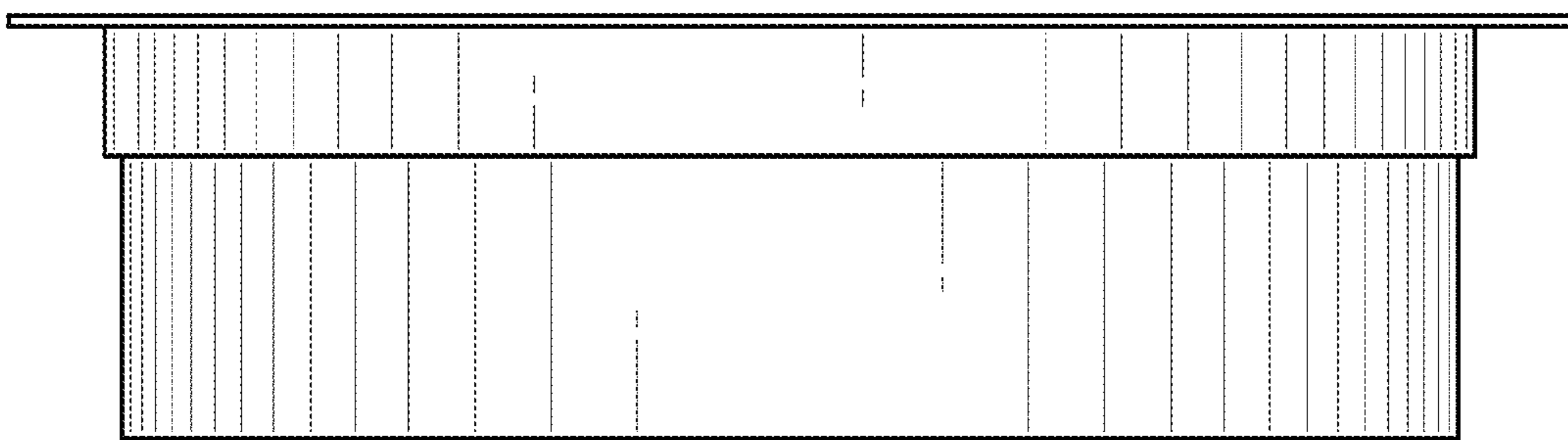


FIG-8

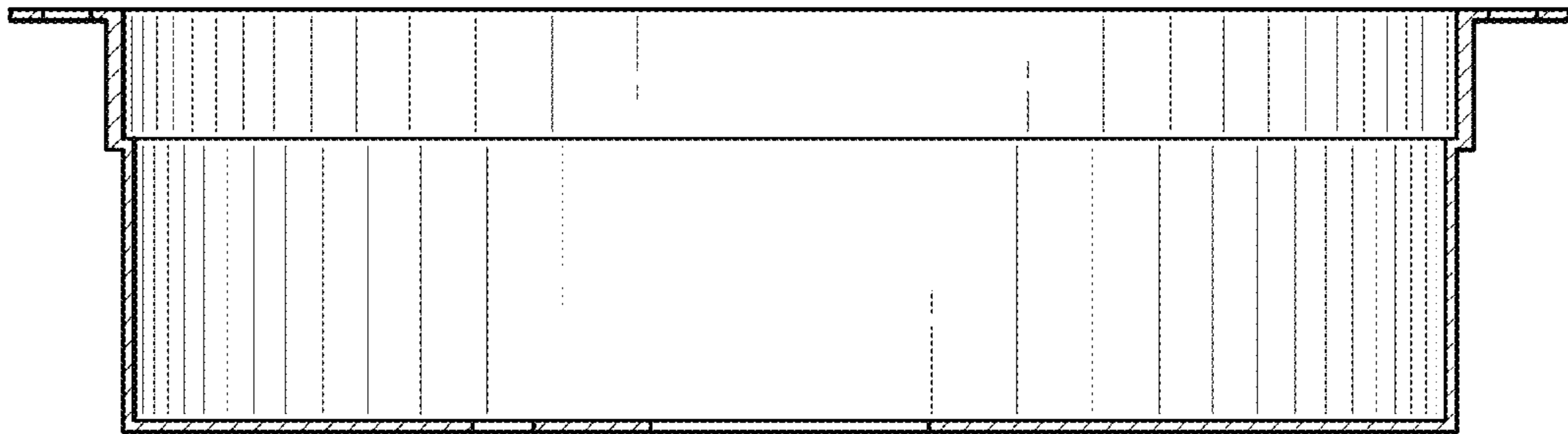


FIG-9