



US00D747667S

(12) **United States Design Patent**  
**Schoonover**

(10) **Patent No.:** **US D747,667 S**

(45) **Date of Patent:** **\*\* \*Jan. 19, 2016**

(54) **HINGED BULB SEAL**

(74) *Attorney, Agent, or Firm* — Botkin & Hall, LLP

(71) Applicant: **LTI Flexible Products, Inc.**, Modesto, CA (US)

(57) **CLAIM**

The ornamental design for a hinged bulb seal, as shown and described.

(72) Inventor: **James Schoonover**, Shelby Township, MI (US)

(73) Assignee: **LTI Flexible Products, Inc.**, Modesto, CA (US)

**DESCRIPTION**

(\*) Notice: This patent is subject to a terminal disclaimer.

FIG. 1 is a perspective view of a hinged bulb seal, in accordance with the present invention;

(\*\*) Term: **14 Years**

FIG. 2 is a front elevation view of the hinged bulb seal of FIG. 1, in accordance with the present invention;

(21) Appl. No.: **29/493,279**

FIG. 3 is a top plan view of the hinged bulb seal of FIGS. 1-2, in accordance with the present invention;

(22) Filed: **Jun. 6, 2014**

FIG. 4 is a left side elevation view of the hinged bulb seal of FIGS. 1-3, in accordance with the present invention;

(51) **LOC (10) Cl.** ..... **12-10**

FIG. 5 is a right side elevation view of the hinged bulb seal of FIGS. 1-4, in accordance with the present invention;

(52) **U.S. Cl.**

USPC ..... **D12/106**

FIG. 6 is a bottom plan view of the hinged bulb seal of FIGS. 1-5, in accordance with the present invention;

(58) **Field of Classification Search**

USPC ..... D12/106, 19, 129, 100-105, 111-112; D21/425, 435; D34/16-19; 280/204, 280/205, 63, 475, 482, 647; 296/168, 180, 296/180.2, 61, 10, 100.01-100.08

FIG. 7 is a perspective view of a hinged bulb seal, in accordance with a second embodiment of the present invention;

CPC ..... B60R 13/043; B60R 13/06; B60R 13/04  
See application file for complete search history.

FIG. 8 is a front elevation view of the hinged bulb seal of FIG. 7, in accordance with the present invention;

(56) **References Cited**

**U.S. PATENT DOCUMENTS**

5,009,462	A *	4/1991	Katcherian	296/201
5,221,564	A *	6/1993	Keys	428/31
6,073,936	A *	6/2000	Kirchmann et al.	277/640
D606,473	S *	12/2009	Schlater	D12/190
D606,474	S *	12/2009	Schlater	D12/190
D636,313	S *	4/2011	Schlater	D12/190
D648,657	S *	11/2011	Schoonover et al.	D12/106
D651,146	S *	12/2011	Schoonover et al.	D12/190
D669,820	S *	10/2012	Schoonover et al.	D12/106

FIG. 9 is a top plan view of the hinged bulb seal of FIGS. 7-8, in accordance with the present invention;

FIG. 10 is a left side elevation view of the hinged bulb seal of FIGS. 7-9, in accordance with the present invention;

FIG. 11 is a right side elevation view of the hinged bulb seal of FIGS. 7-10, in accordance with the present invention; and,

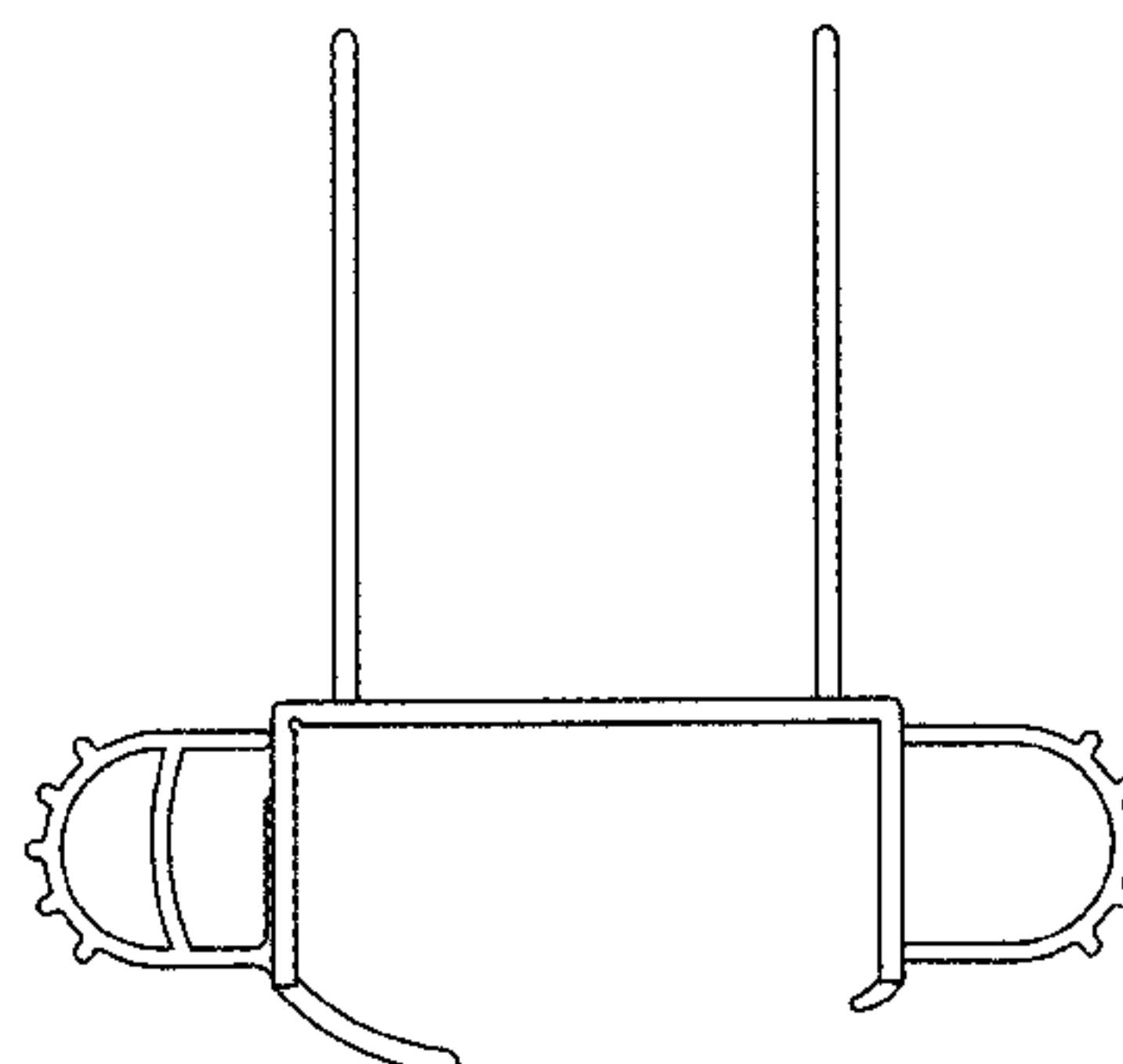
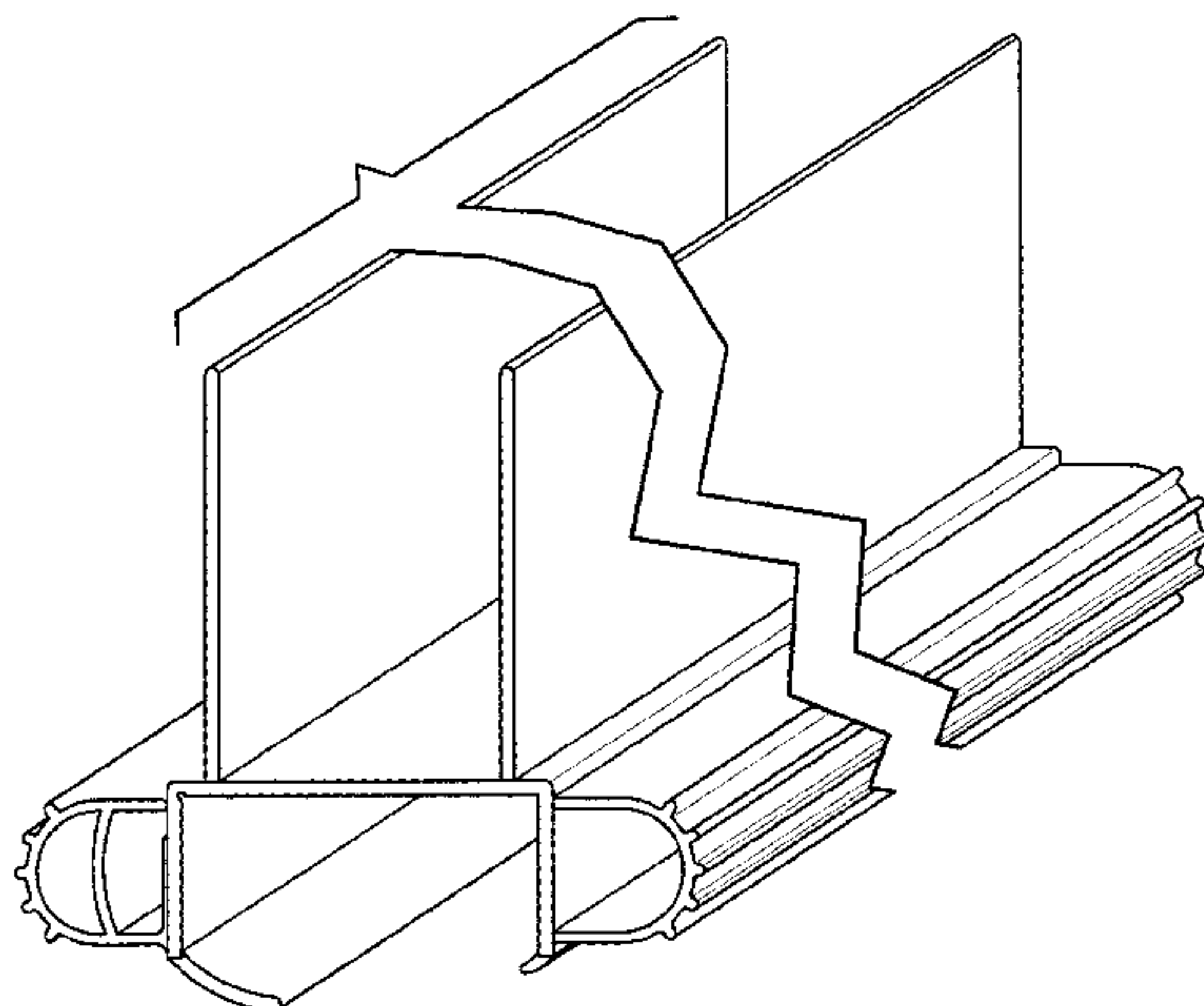
FIG. 12 is a bottom plan view of the hinged bulb seal of FIGS. 7-11, in accordance with the present invention.

The hinged bulb seal is shown broken along its length to indicate that the hinged bulb seal may be formed in any length.

\* cited by examiner

*Primary Examiner* — Katrina A Betton

**1 Claim, 6 Drawing Sheets**



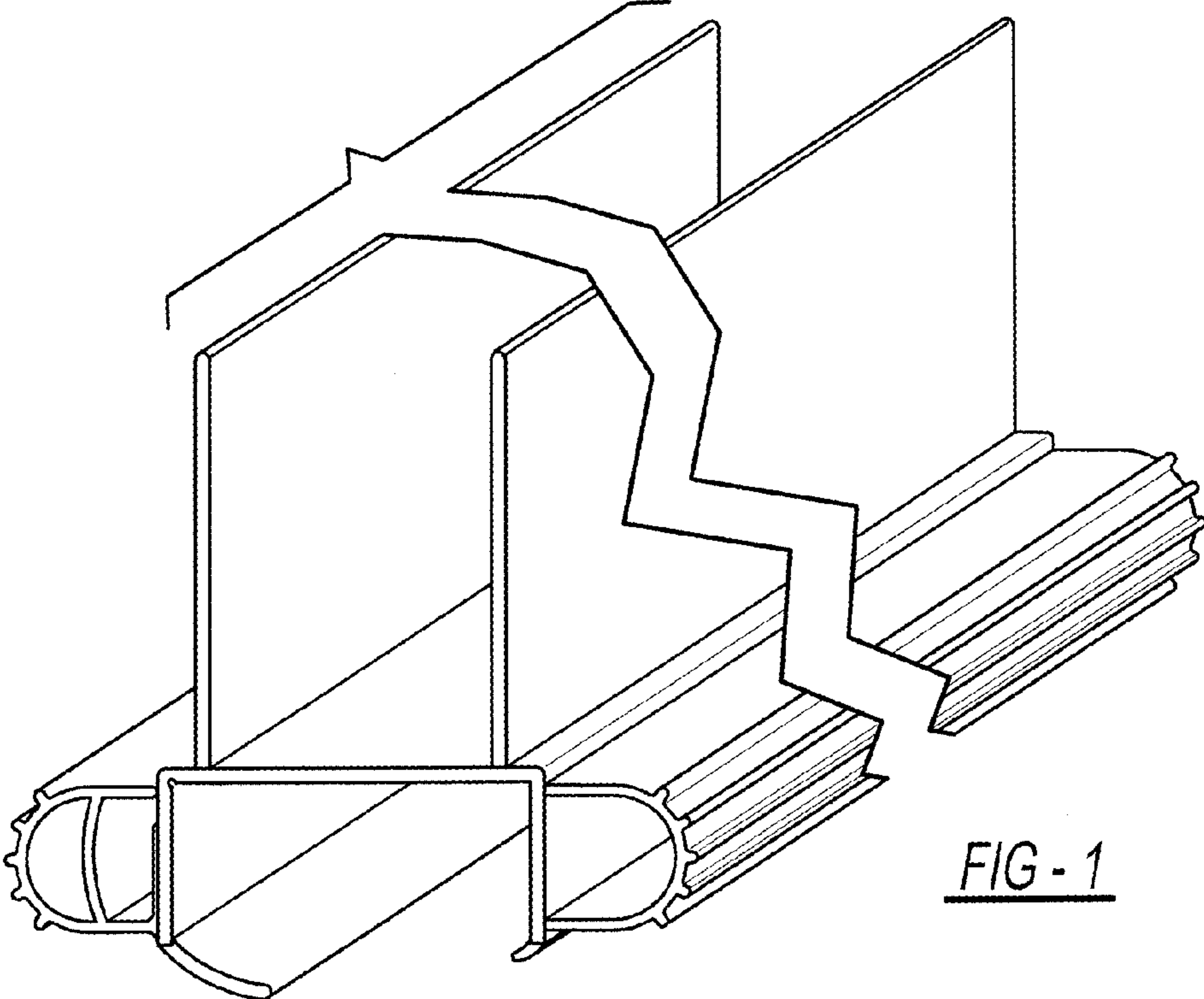
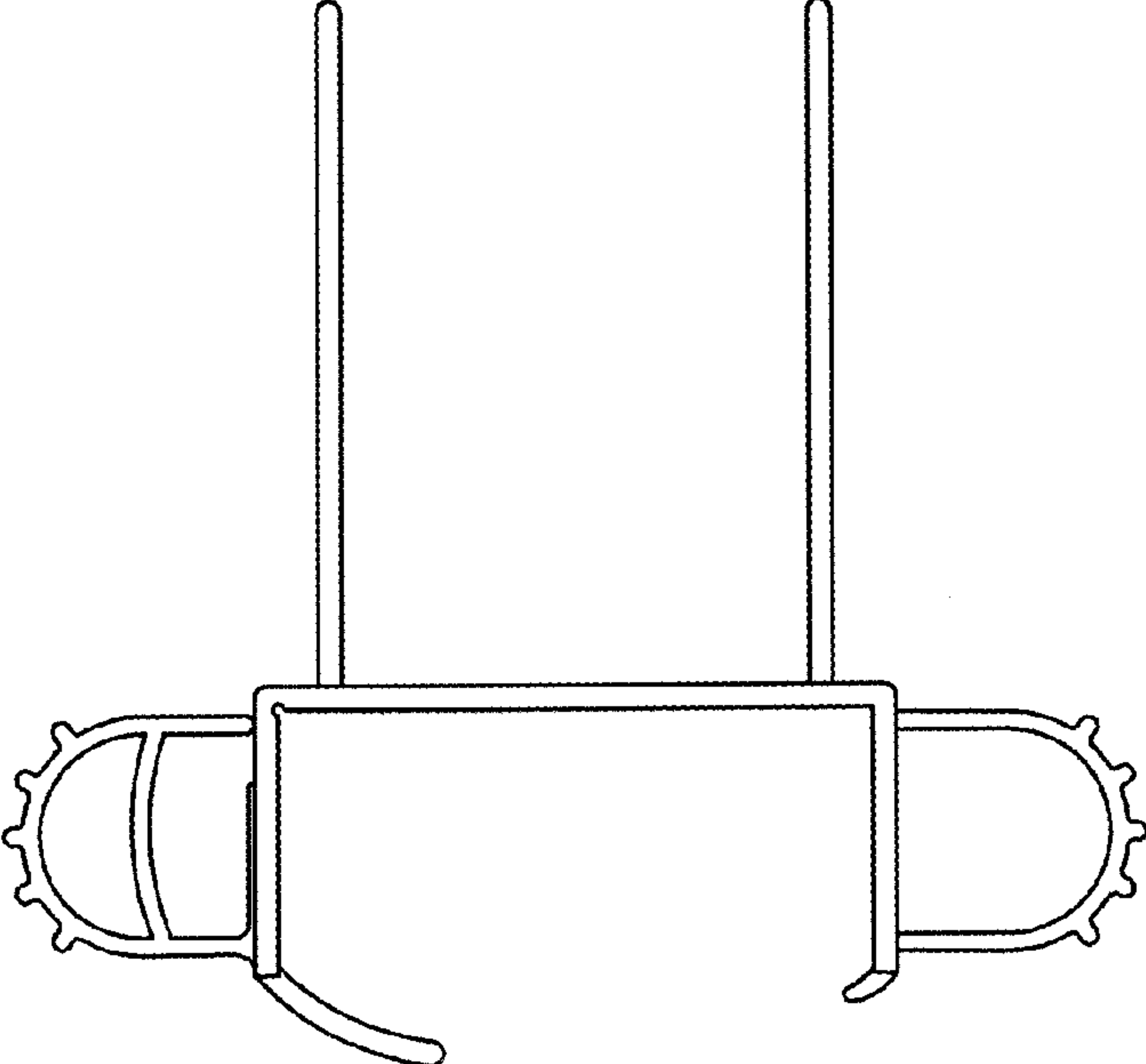


FIG - 1

FIG - 2



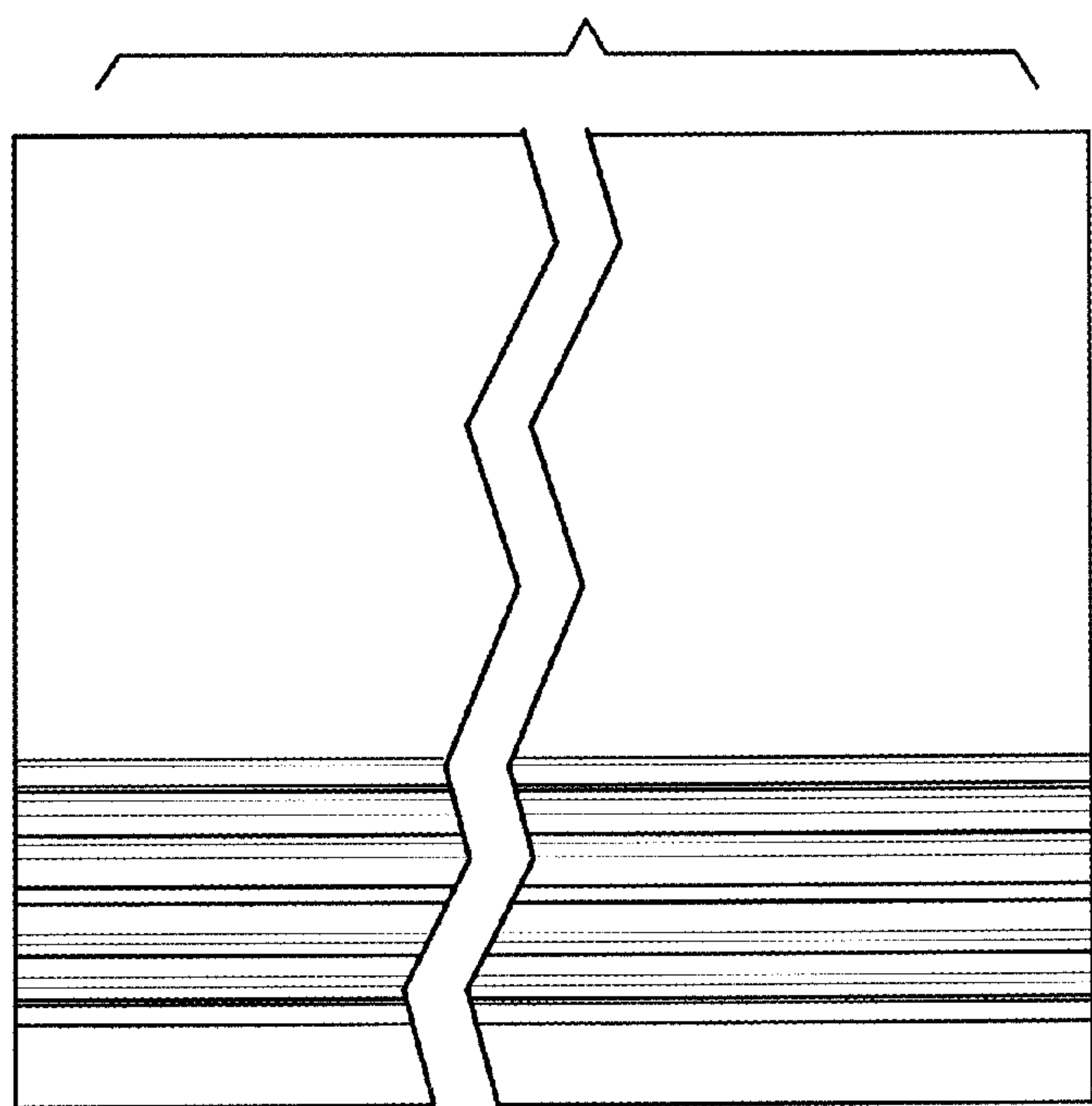
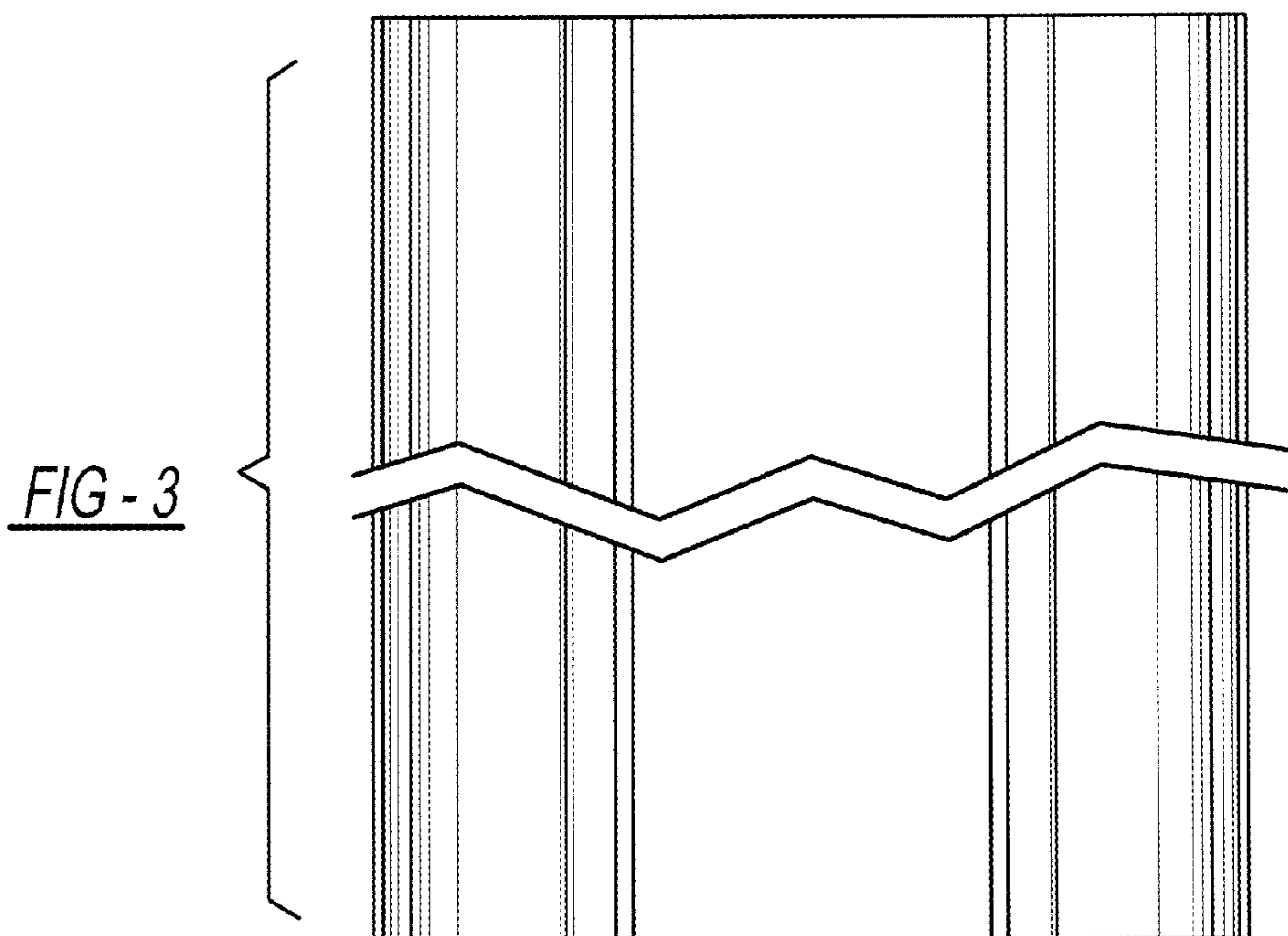


FIG - 4

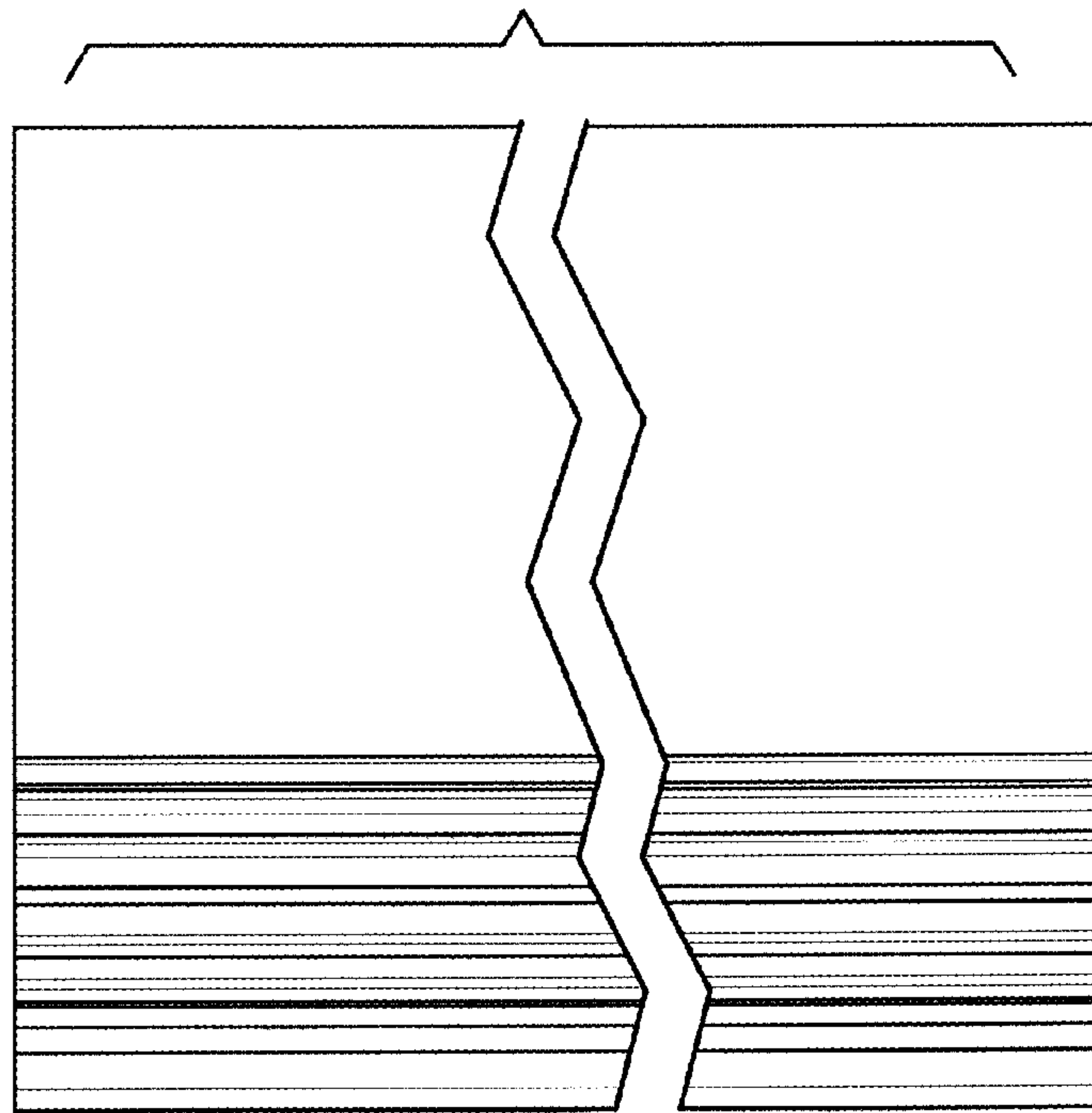


FIG - 5

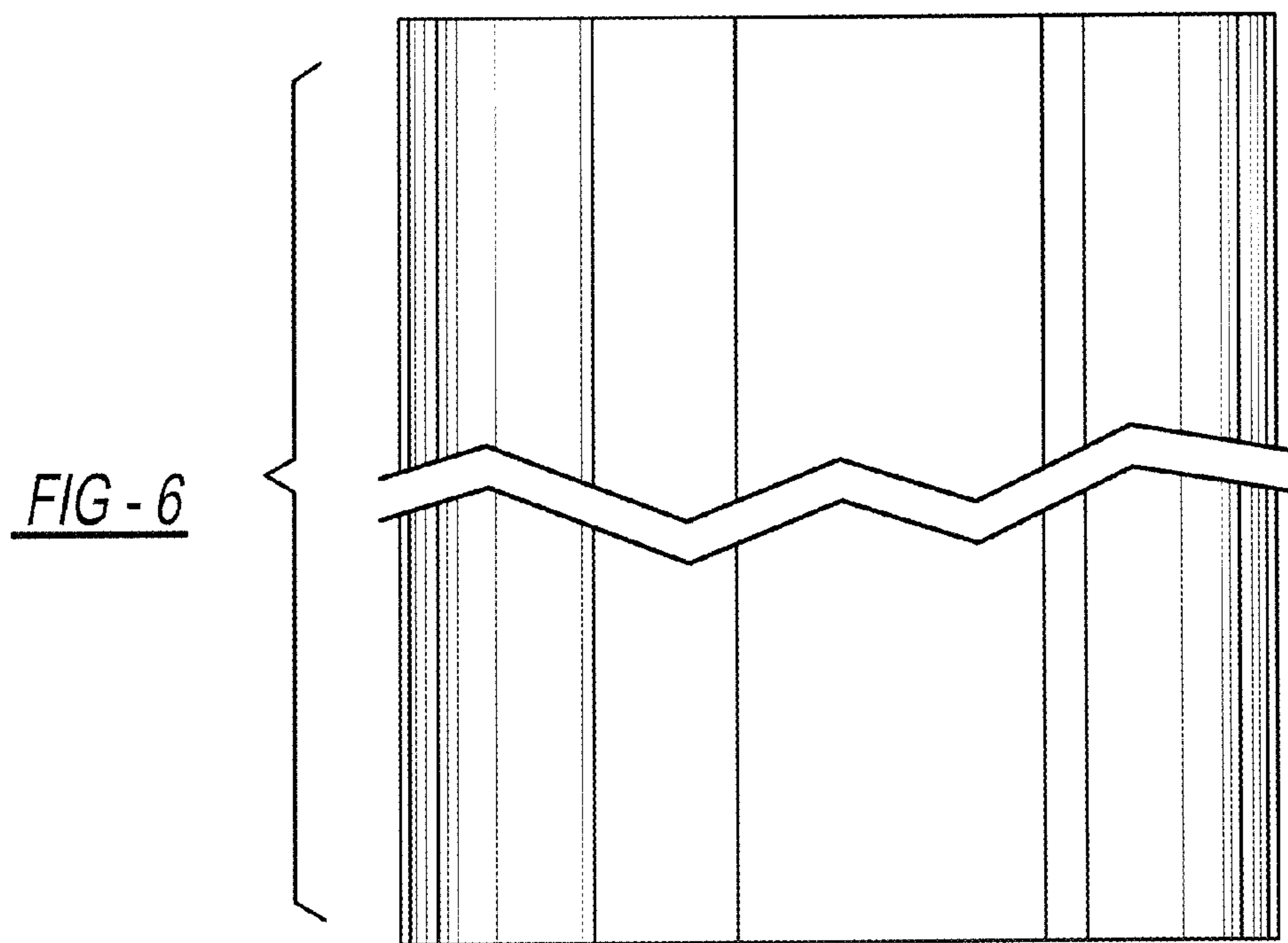


FIG - 6



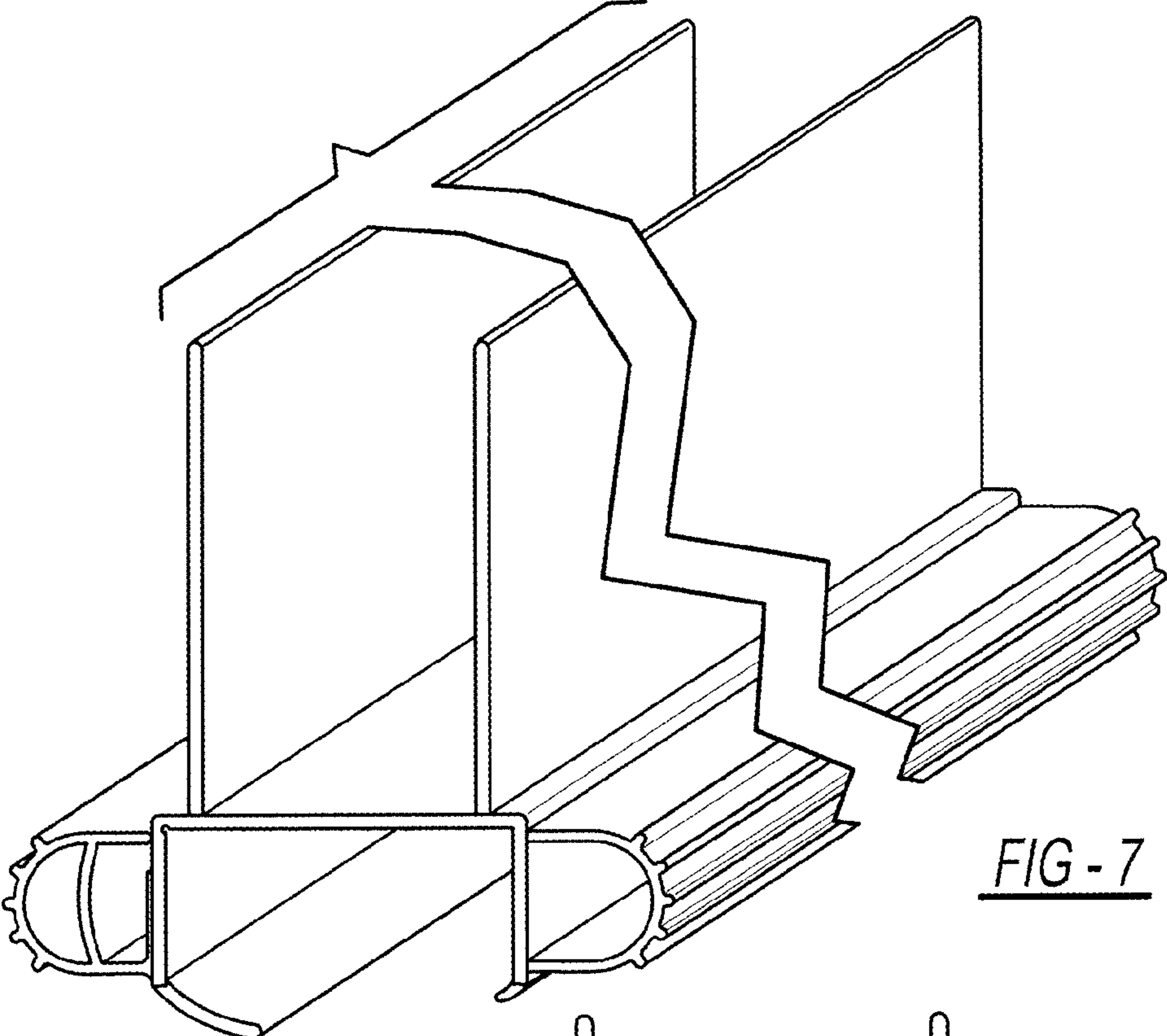
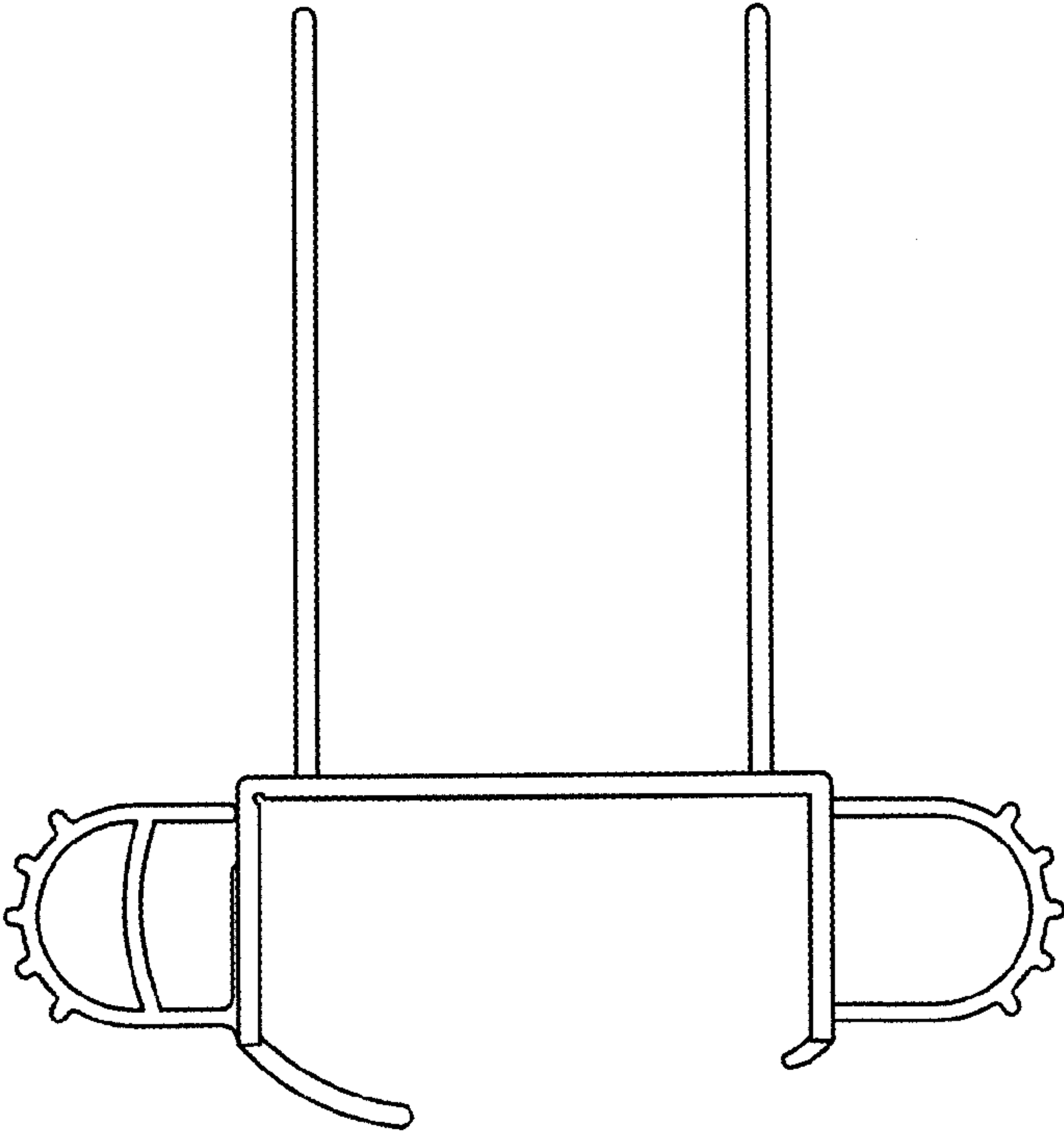


FIG - 7

FIG - 8



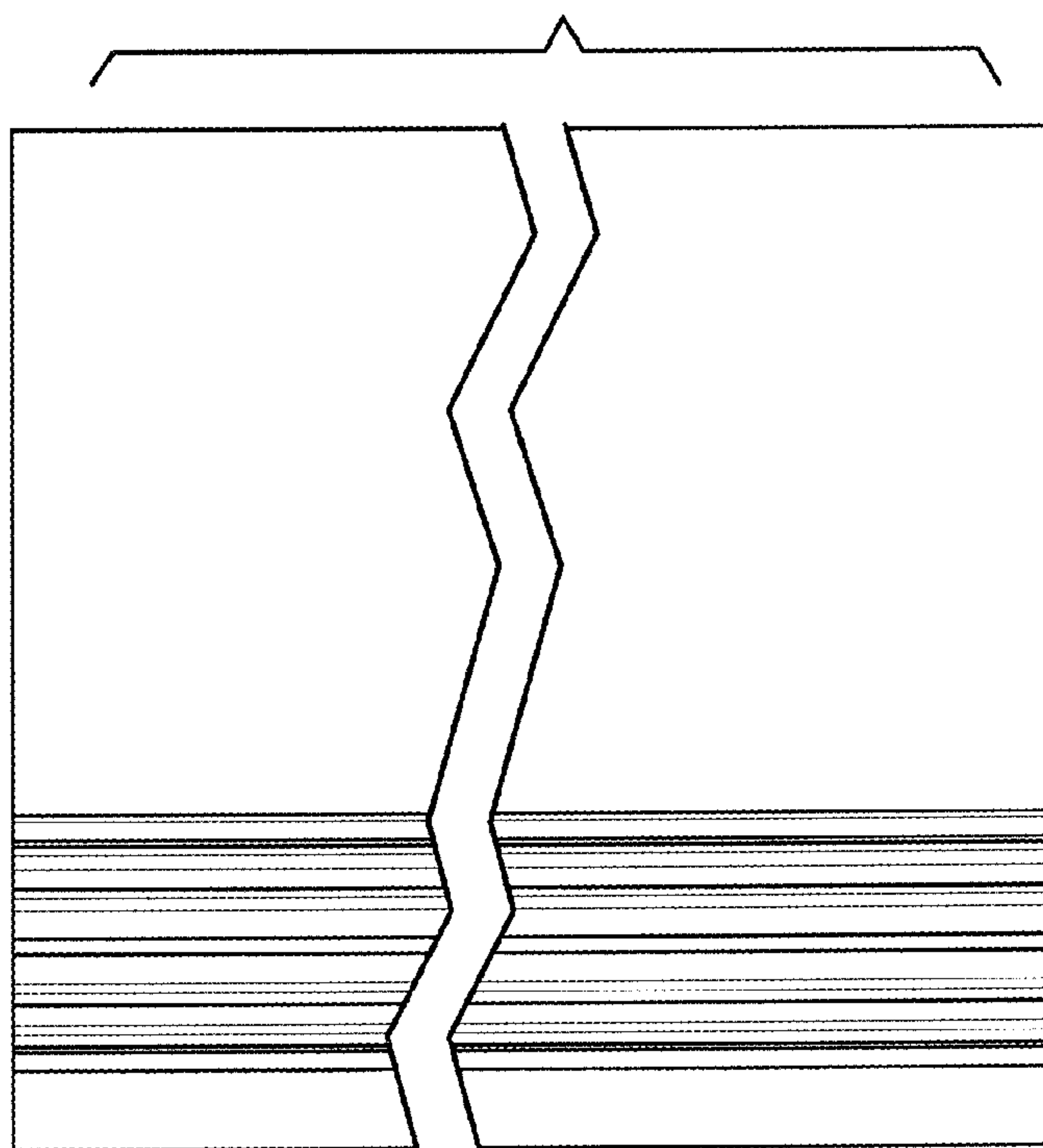
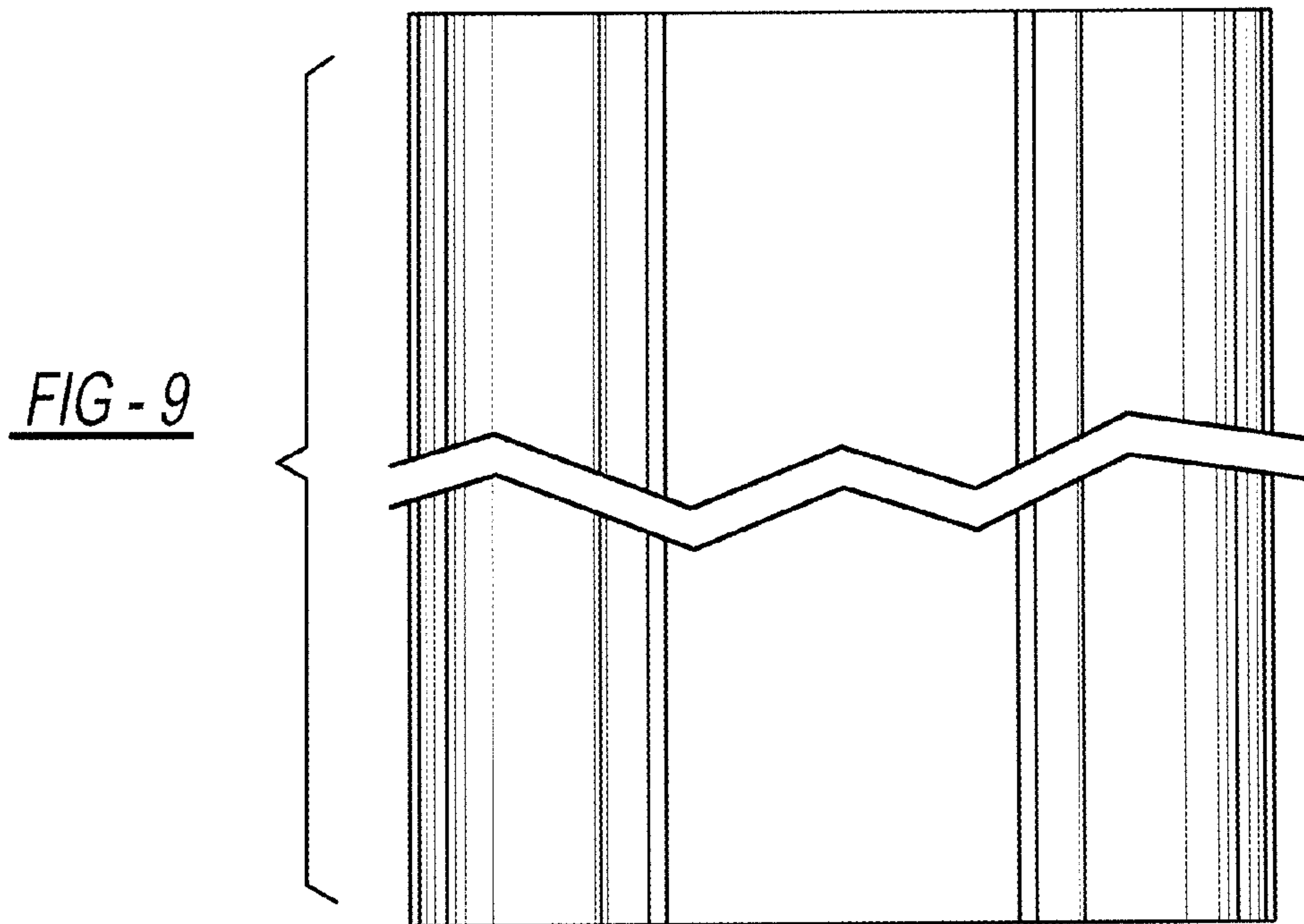


FIG - 10

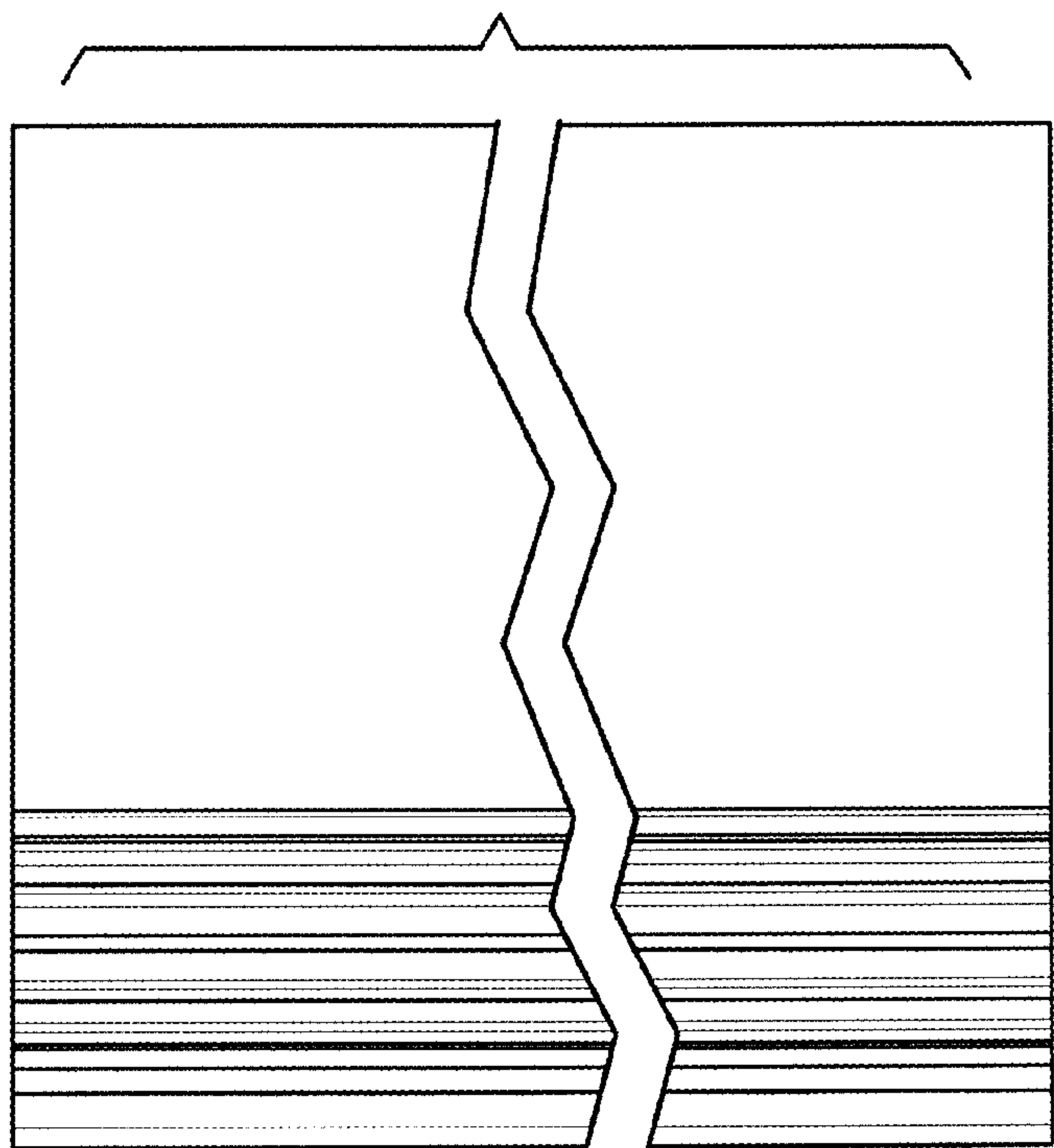


FIG - 11

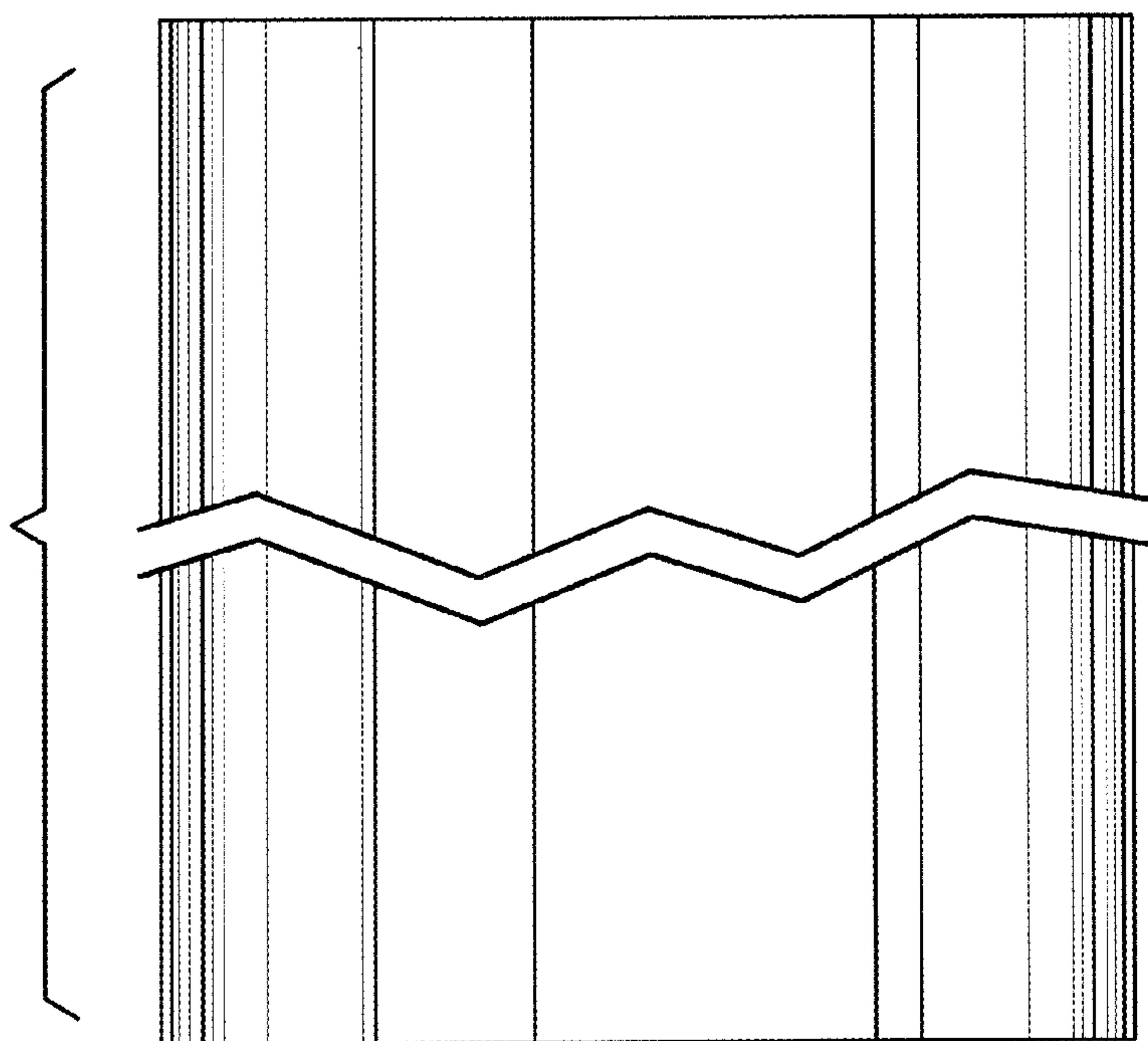


FIG - 12