



US00D747665S

(12) **United States Design Patent**  
**Hooper**

(10) **Patent No.:** **US D747,665 S**

(45) **Date of Patent:** **\*\* Jan. 19, 2016**

(54) **EARRING HOOP**

(71) Applicant: **Kim Hooper**, Miami, FL (US)

(72) Inventor: **Kim Hooper**, Miami, FL (US)

(\*\*) Term: **14 Years**

(21) Appl. No.: **29/486,066**

(22) Filed: **Mar. 26, 2014**

(51) **LOC (10) Cl.** ..... **11-01**

(52) **U.S. Cl.**  
USPC ..... **D11/40**

(58) **Field of Classification Search**  
USPC ..... D11/1-50, 53, 56, 63, 65-69, 70, 74,  
D11/77-92, 121, 125, 128, 200, 206, 207;  
63/1.11, 1.12, 1.13, 1.14, 1.15, 1.16,  
63/1.17, 1.18, 3, 3.1, 3.2, 12, 13, 14.1,  
63/14.2, 14.3, 14.4, 14.5, 14.6, 14.7, 14.8,  
63/18, 20, 21, 22, 23, 26, 27, 29.1, 30-33;  
D28/39, 40, 41  
CPC .... A44C 25/001; A44C 25/00; A44C 27/003;  
A44C 3/00; A44C 5/003; A44C 5/2042;  
A44C 7/00; A44C 7/002; A44C 7/003

See application file for complete search history.

(56) **References Cited**

U.S. PATENT DOCUMENTS

2,818,870	A *	1/1958	Francis	.....	A45D 8/34
					D28/41
6,058,581	A *	5/2000	Ehrlund	.....	A44C 7/003
					63/12
D646,435	S *	10/2011	Carey	.....	D28/41
D649,289	S *	11/2011	Tsai	.....	D28/41
D665,292	S *	8/2012	Jackson	.....	D11/79
2006/0016218	A1 *	1/2006	Shapiro	.....	A44C 5/102
					63/3

\* cited by examiner

*Primary Examiner* — Cynthia Ramirez  
*Assistant Examiner* — Llorellys Martinez-Rivera  
(74) *Attorney, Agent, or Firm* — Ruben Alcoba, Esq.

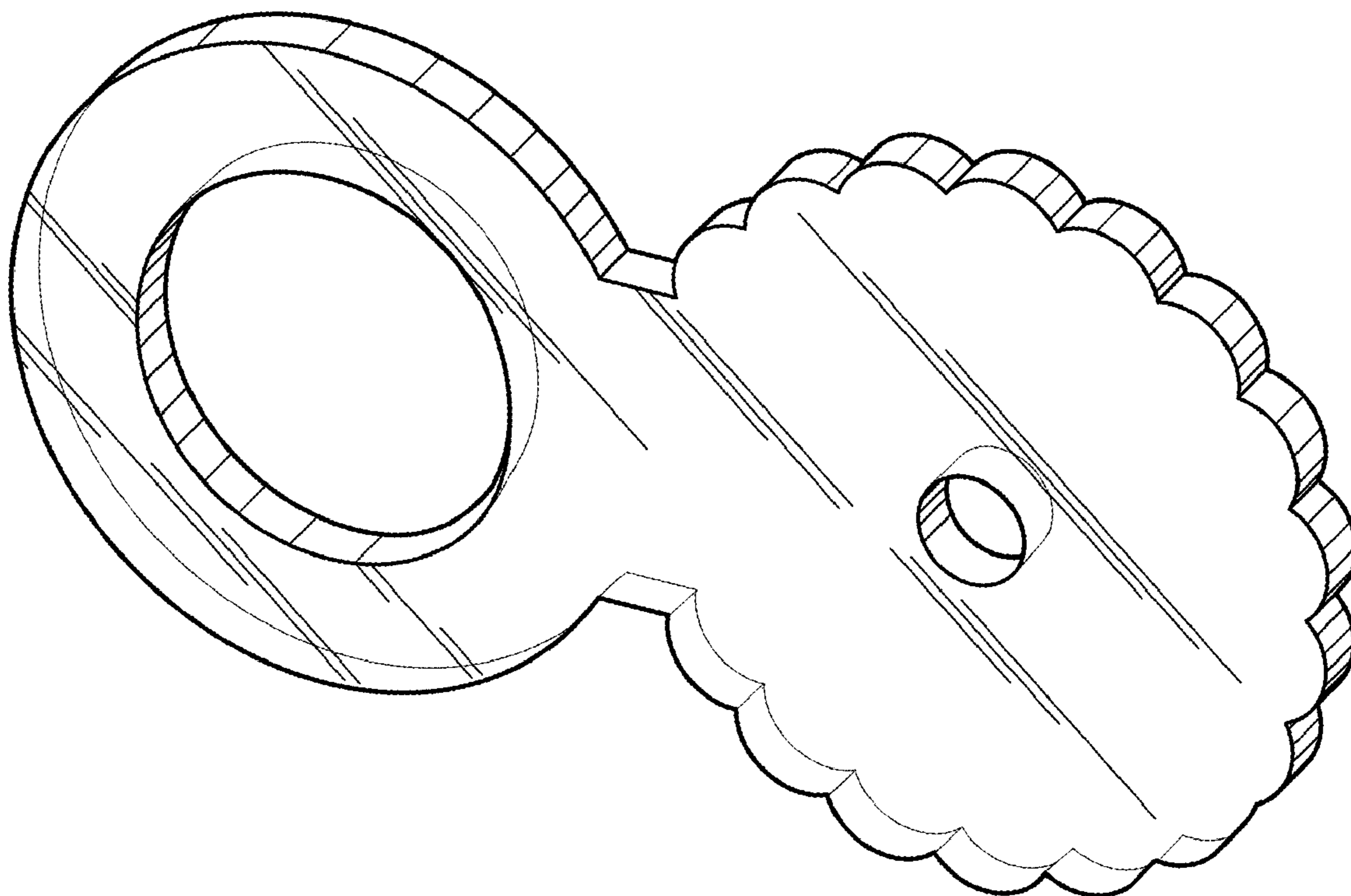
(57) **CLAIM**

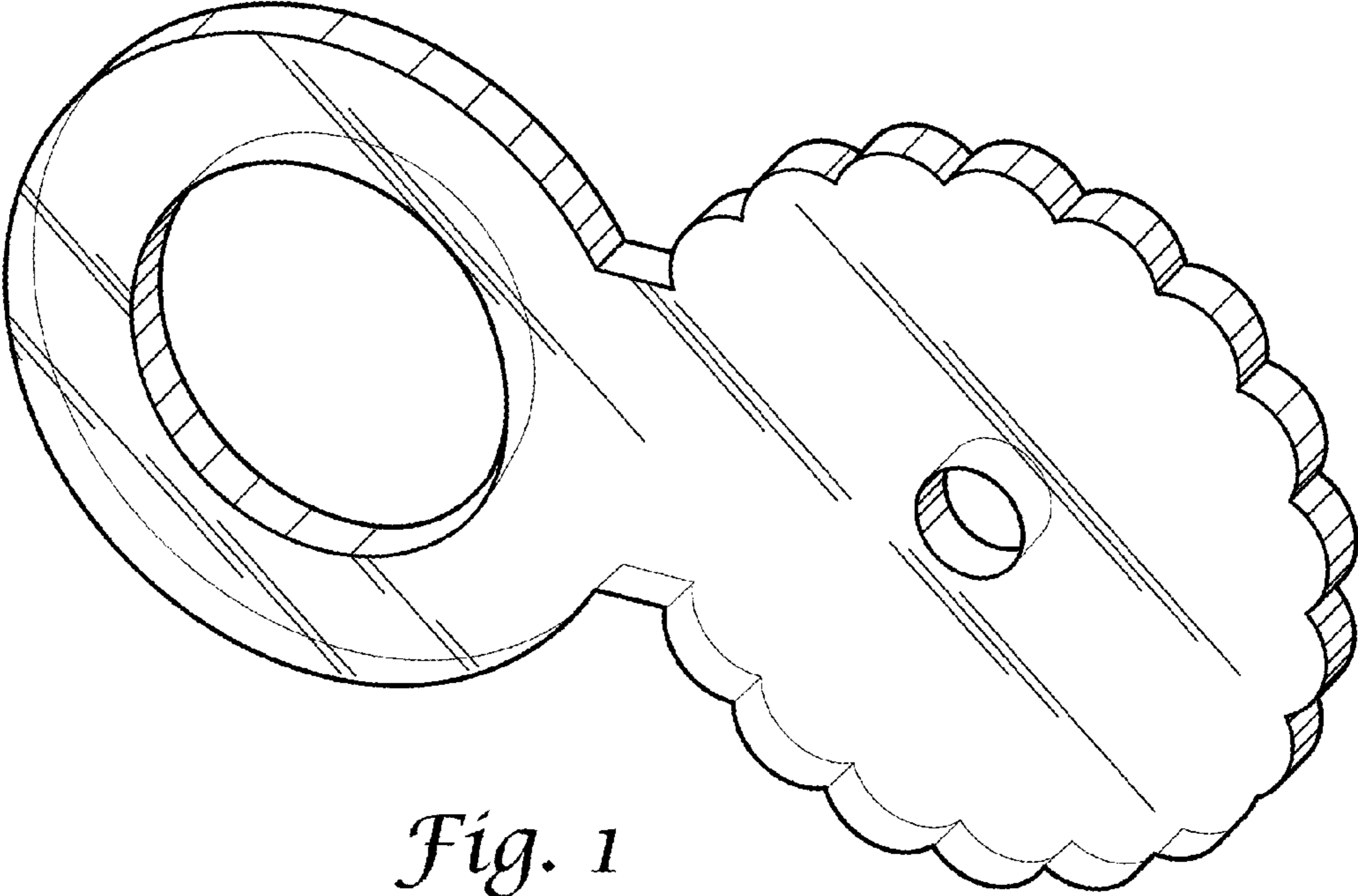
The ornamental design for an earring hoop, as shown and described.

**DESCRIPTION**

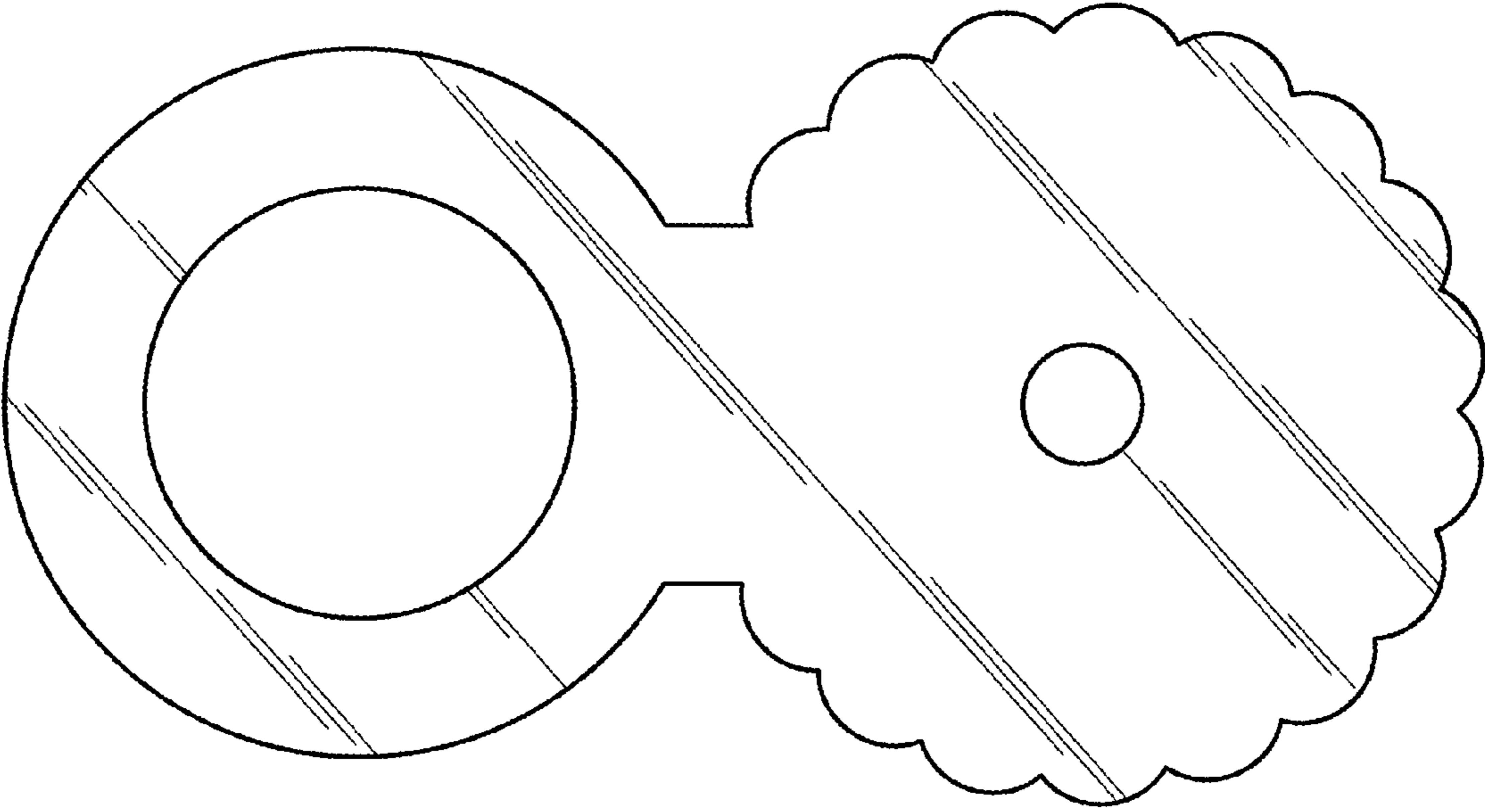
FIG. 1 is a front, top and right perspective view of an earring hoop showing my new design;  
FIG. 2 is a front elevation view thereof, the rear elevation view being a mirror image thereof;  
FIG. 3 is a left side elevation view thereof;  
FIG. 4 is a right side elevation view thereof; and,  
FIG. 5 is a bottom plan view thereof, the top plan view being a mirror image thereof.

**1 Claim, 2 Drawing Sheets**





*Fig. 1*



*Fig. 2*



*Fig. 3*



*Fig. 4*



*Fig. 5*