



US00D747658S

(12) **United States Design Patent**  
**Cerrato**

(10) **Patent No.:** **US D747,658 S**  
(45) **Date of Patent:** **\*\* Jan. 19, 2016**

(54) **WATCH BEZEL**

(71) Applicant: **TUDOR WATCH U.S.A., LLC**, New York, NY (US)

(72) Inventor: **Davide Cerrato**, Geneva (CH)

(73) Assignee: **TUDOR WATCH U.S.A., LLC**, New York, NY (US)

(\*\*) Term: **14 Years**

(21) Appl. No.: **29/489,489**

(22) Filed: **Apr. 30, 2014**

(30) **Foreign Application Priority Data**

Nov. 1, 2013 (CH) ..... 140195

(51) **LOC (10) Cl.** ..... **10-07**

(52) **U.S. Cl.**  
USPC ..... **D10/128**

(58) **Field of Classification Search**  
USPC ..... D10/30-39, 1-29, 122-132  
CPC ..... G04B 17/00; G04B 17/227; G04B 19/00;  
G04B 19/22; G04B 19/223; G04B 19/28;  
G04B 19/283; G04B 37/00; G04B 37/0008;  
G04B 37/0058; G04B 37/10; G04B 39/00;  
G04B 39/002

See application file for complete search history.

(56) **References Cited**

U.S. PATENT DOCUMENTS

- 442,443 A \* 12/1890 Kornrumpp ..... G04B 39/002  
368/295
- 4,462,697 A \* 7/1984 Thompson ..... G04B 37/10  
368/282
- D401,866 S \* 12/1998 Pandel ..... D10/30
- D438,471 S \* 3/2001 Fichter ..... D10/126
- D438,472 S \* 3/2001 Fichter ..... D10/126
- 6,206,563 B1 \* 3/2001 Dombre ..... G04B 17/227  
368/294
- 7,182,508 B2 \* 2/2007 Bertrand ..... G04B 19/283  
368/295
- D624,443 S \* 9/2010 Cerrato ..... D10/38
- D645,361 S \* 9/2011 Parmigiani ..... D10/38
- D671,429 S \* 11/2012 Parmigiani ..... D10/38
- D690,211 S \* 9/2013 Sugiura ..... D10/38

\* cited by examiner

*Primary Examiner* — Martie K Holtje

(74) *Attorney, Agent, or Firm* — Sughrue Mion, PLLC

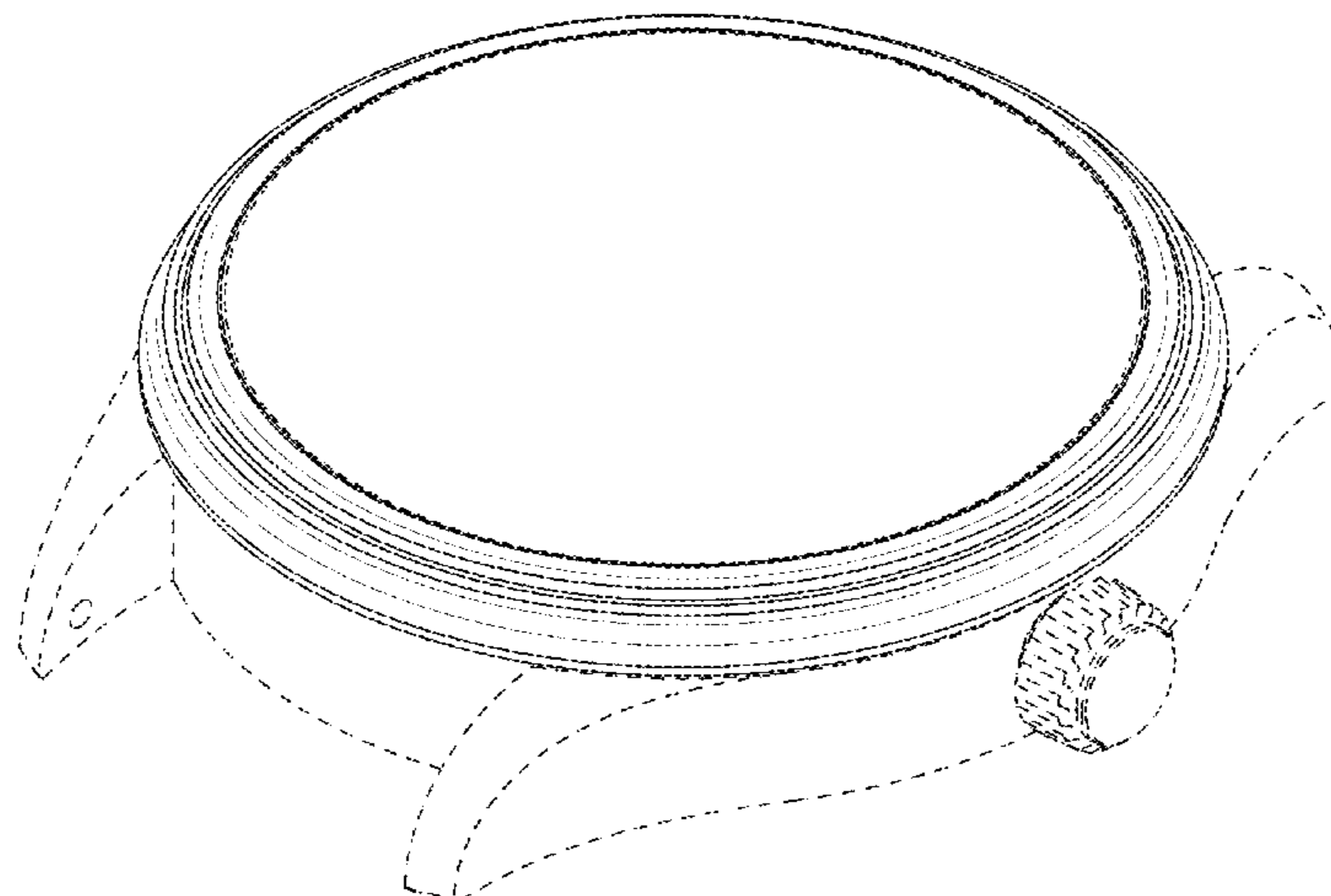
(57) **CLAIM**

The ornamental design for a watch bezel, as shown and described.

**DESCRIPTION**

FIG. 1 is a perspective view of a watch bezel showing my new design;  
FIG. 2 is a front view thereof;  
FIG. 3 is a rear view thereof;  
FIG. 4 is a first side view thereof;  
FIG. 5 is a second side view thereof;  
FIG. 6 is a first end view thereof; and,  
FIG. 7 is a second end view thereof.  
The structural features depicted by broken lines have been shown for the purpose of illustrating environment that forms no part of the claimed design.

**1 Claim, 5 Drawing Sheets**



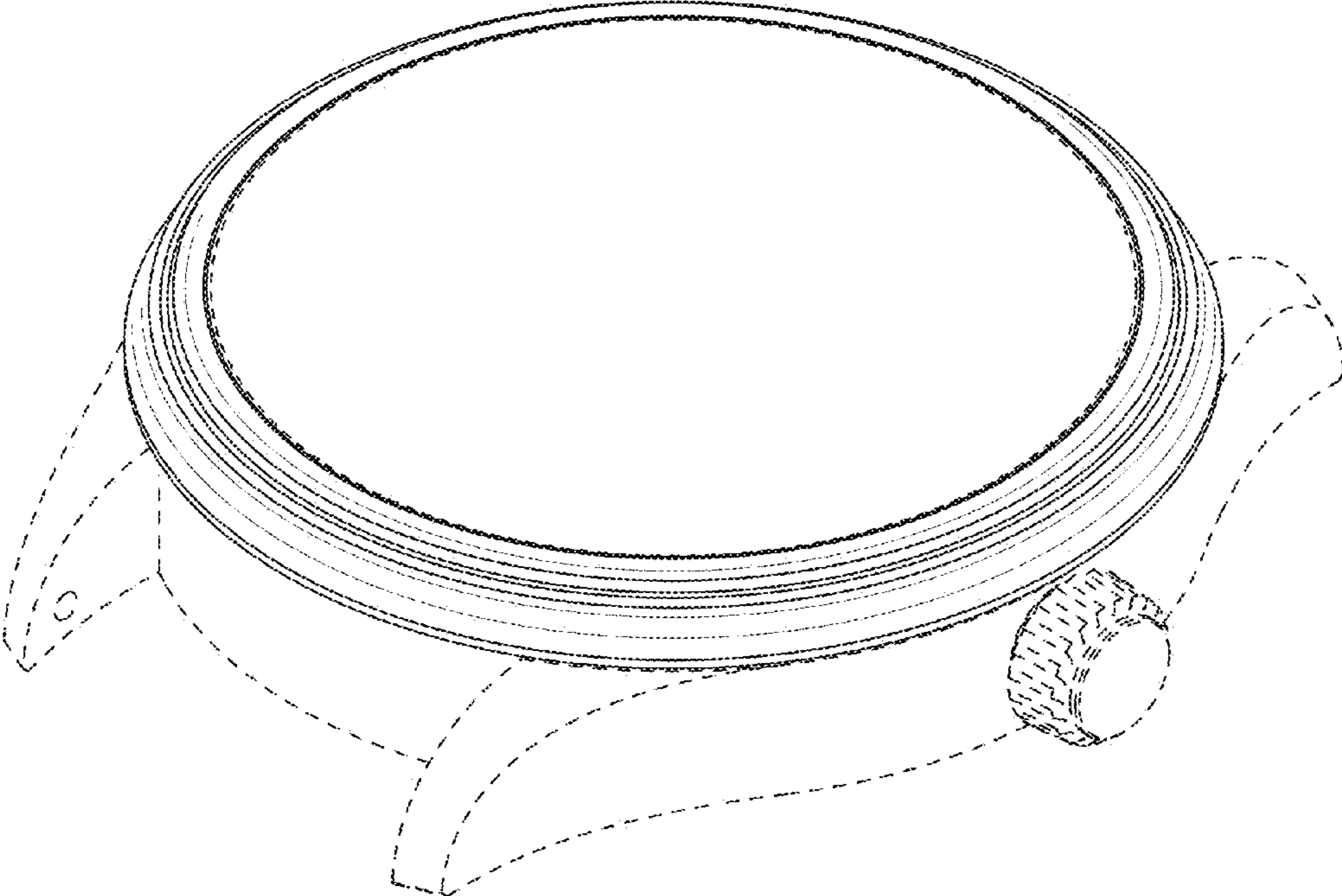


FIG. 1

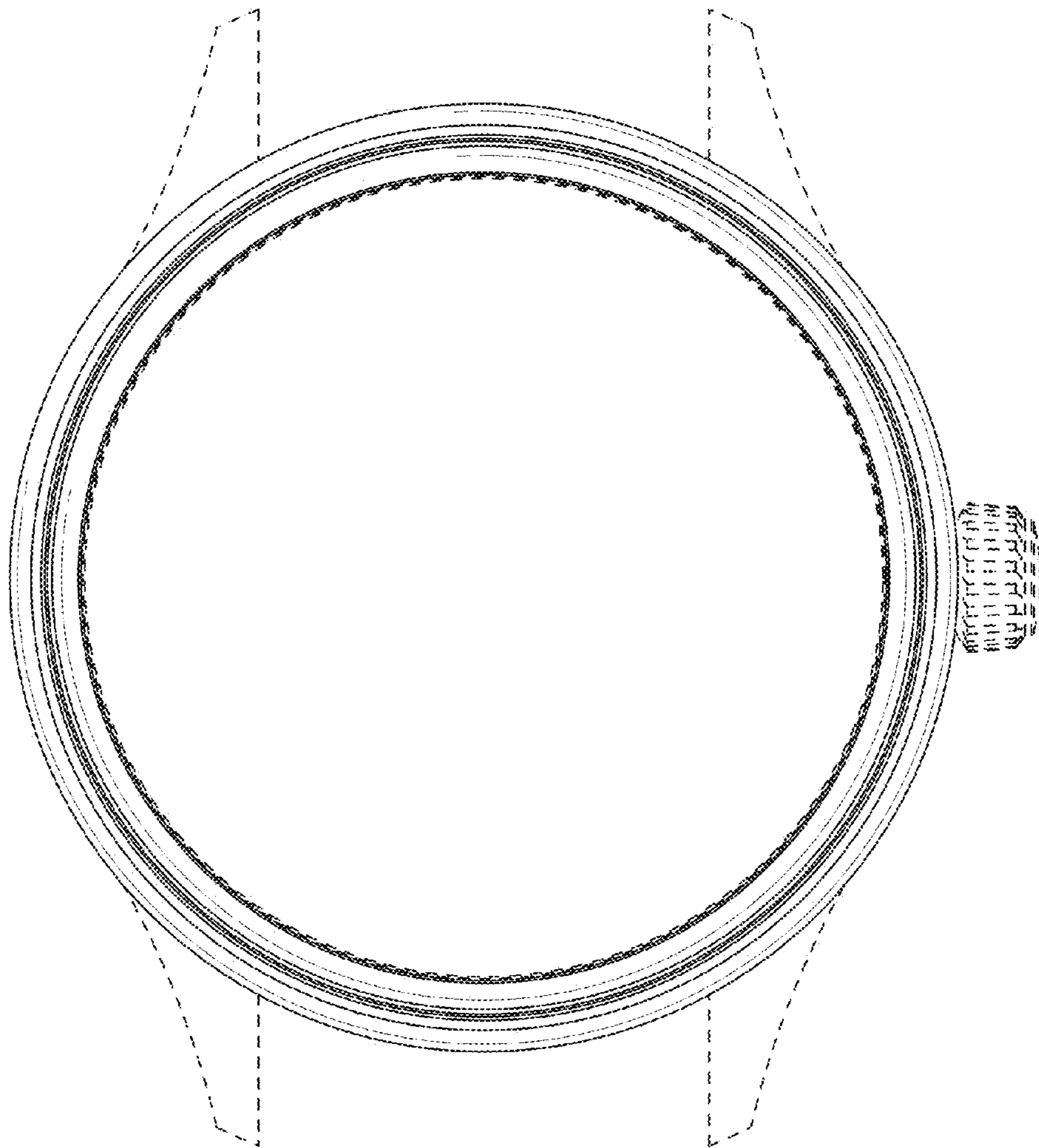


FIG. 2

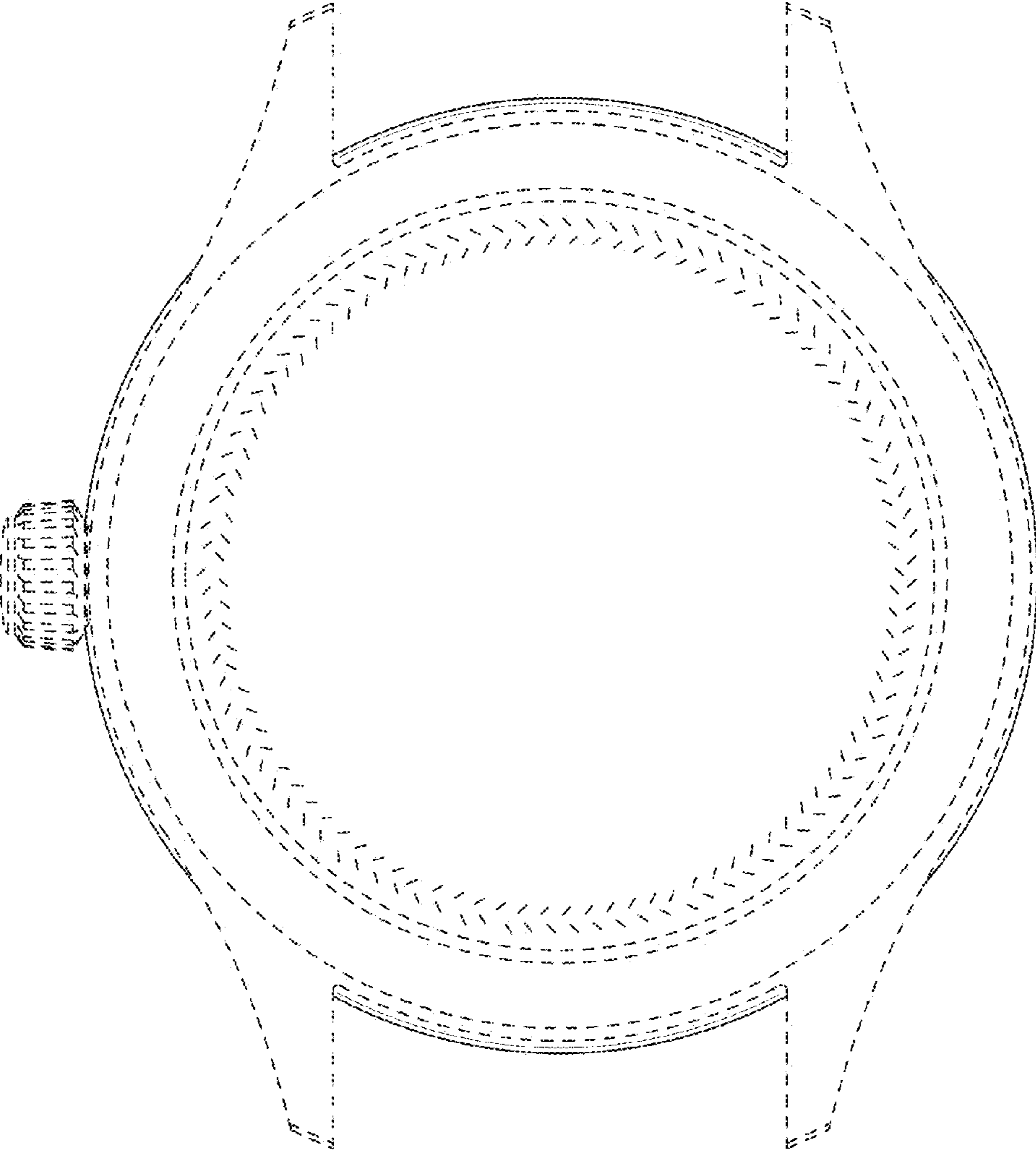


FIG. 3

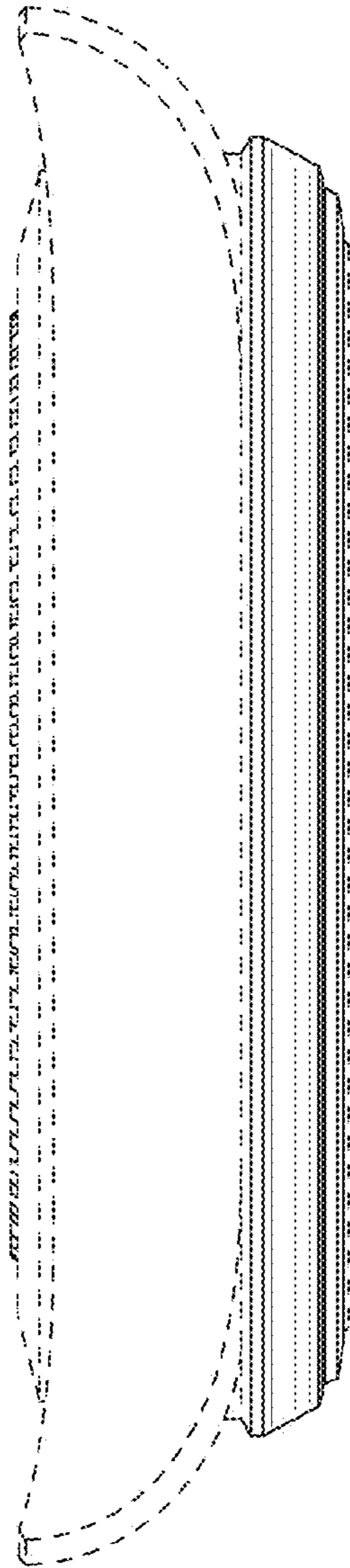


FIG. 4

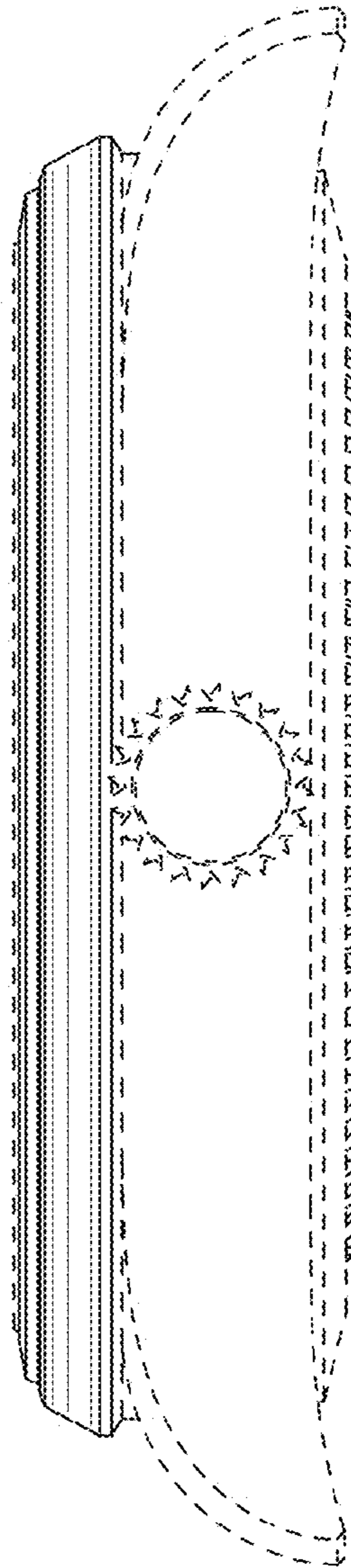


FIG. 5

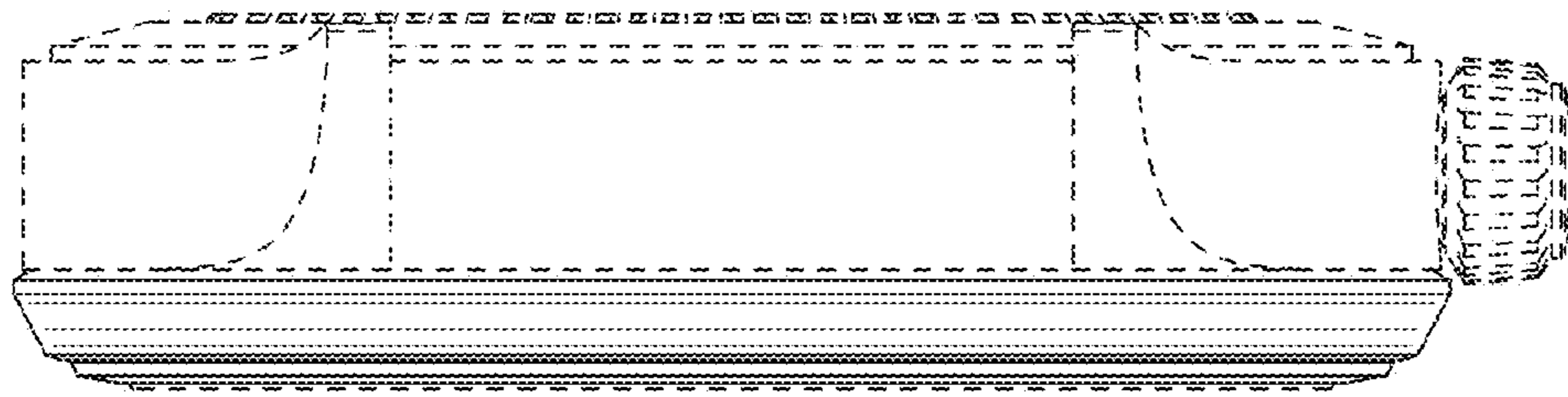


FIG. 6

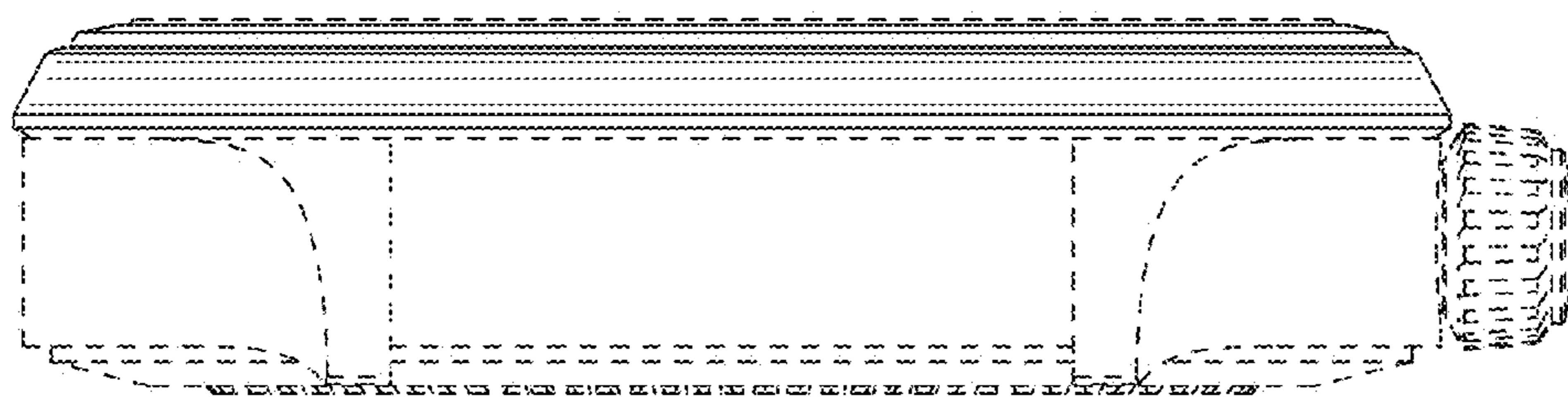


FIG. 7