



US00D747657S

(12) **United States Design Patent**  
**Abdourahim**

(10) **Patent No.:** **US D747,657 S**  
(45) **Date of Patent:** **\*\* Jan. 19, 2016**

(54) **WATCHCASE**

(71) Applicant: **HARRY WINSTON SA,**  
Plan-les-Ouates (CH)

(72) Inventor: **Delphine Abdourahim,** Geneva (CH)

(73) Assignee: **HARRY WINSTON SA,**  
Plan-les-Ouates (CH)

(\*\*) Term: **14 Years**

(21) Appl. No.: **29/503,213**

(22) Filed: **Sep. 24, 2014**

(30) **Foreign Application Priority Data**

Mar. 24, 2014 (WO) ..... DM/083 210

(51) **LOC (10) Cl.** ..... **10-02**

(52) **U.S. Cl.**  
USPC ..... **D10/30; D10/38**

(58) **Field of Classification Search**

USPC ..... D10/30-39, 1-29, 122-132; D11/40  
CPC ..... G04B 37/00; G04B 37/0008; G04B  
37/0025; G04B 37/0058; G04B 37/1486;  
G04B 45/00; G04B 45/0069; G04B 45/0076;  
G04B 47/00; G04B 47/04; G04B 47/042;  
G04B 47/046

See application file for complete search history.

(56) **References Cited**

**U.S. PATENT DOCUMENTS**

D65,310 S \* 7/1924 Strasser ..... D10/38  
1,553,571 A \* 9/1925 Strasser ..... G04B 47/042  
368/285  
D138,099 S \* 6/1944 Peyrot ..... D10/32  
D145,490 S \* 8/1946 Ostier ..... D10/39  
D164,832 S \* 10/1951 Warren ..... D10/39  
2,636,338 A \* 4/1953 Dinstman ..... G04B 37/0025  
220/324

D250,751 S \* 1/1979 Perrin ..... D10/39  
4,473,306 A \* 9/1984 Lederrey ..... G04B 47/042  
368/285  
D283,015 S \* 3/1986 Lederrey ..... D10/39  
4,855,972 A \* 8/1989 Eiss ..... G04B 37/1486  
224/170  
D339,534 S \* 9/1993 Frappe ..... D10/125  
D339,752 S \* 9/1993 Frappe ..... D10/125  
D452,172 S \* 12/2001 von Burg ..... D10/32  
D456,279 S \* 4/2002 Von Burg ..... D10/30  
6,382,829 B1 \* 5/2002 Ursula ..... G04B 47/046  
368/276  
D474,119 S \* 5/2003 Mouquet ..... D10/18  
D541,182 S \* 4/2007 Hegi ..... D10/38  
D643,327 S \* 8/2011 Kothari ..... D11/40

\* cited by examiner

*Primary Examiner* — Martie K Holtje

(74) *Attorney, Agent, or Firm* — Donald J. Ranft; Kristen A. Mogavero; Collen IP

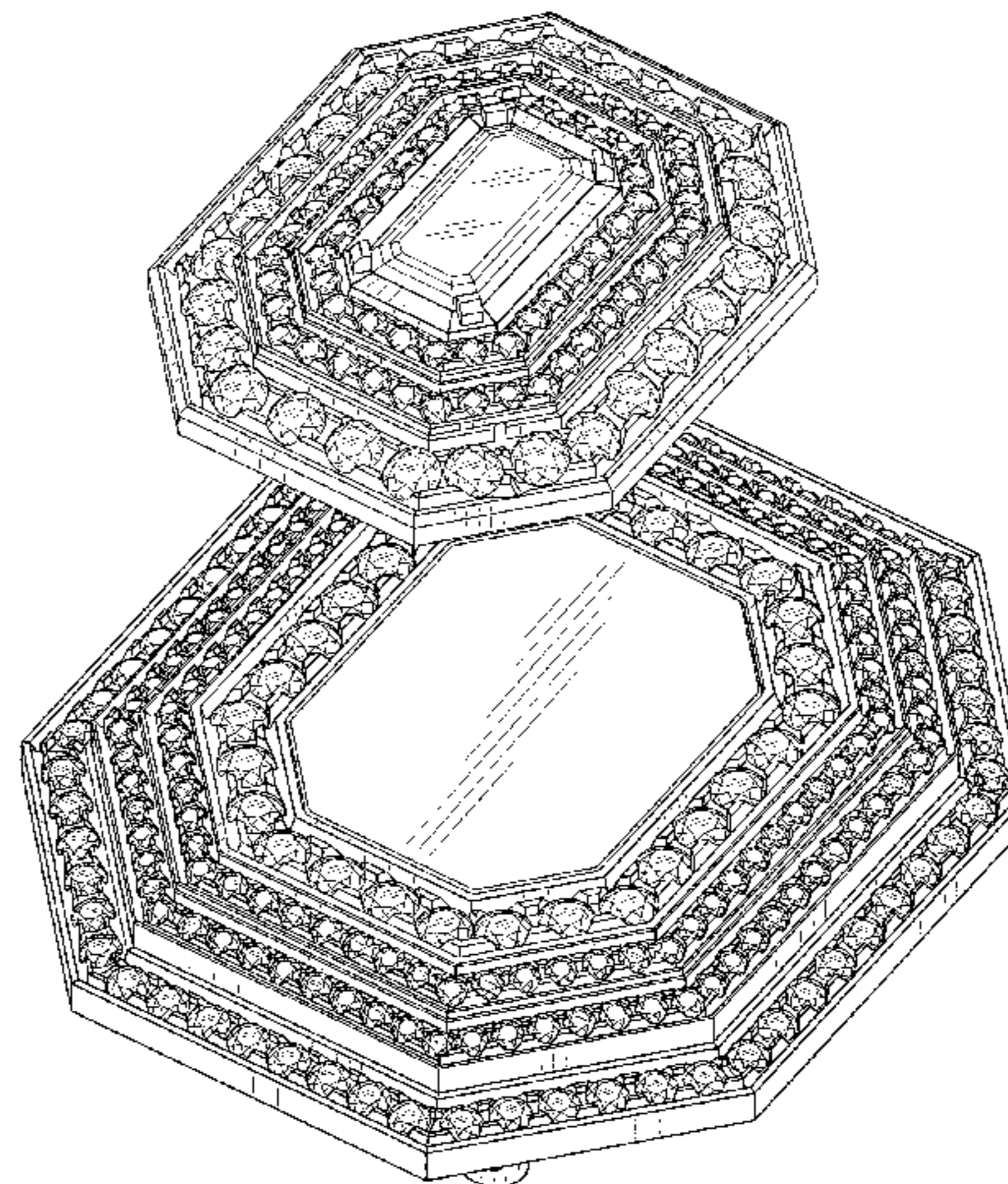
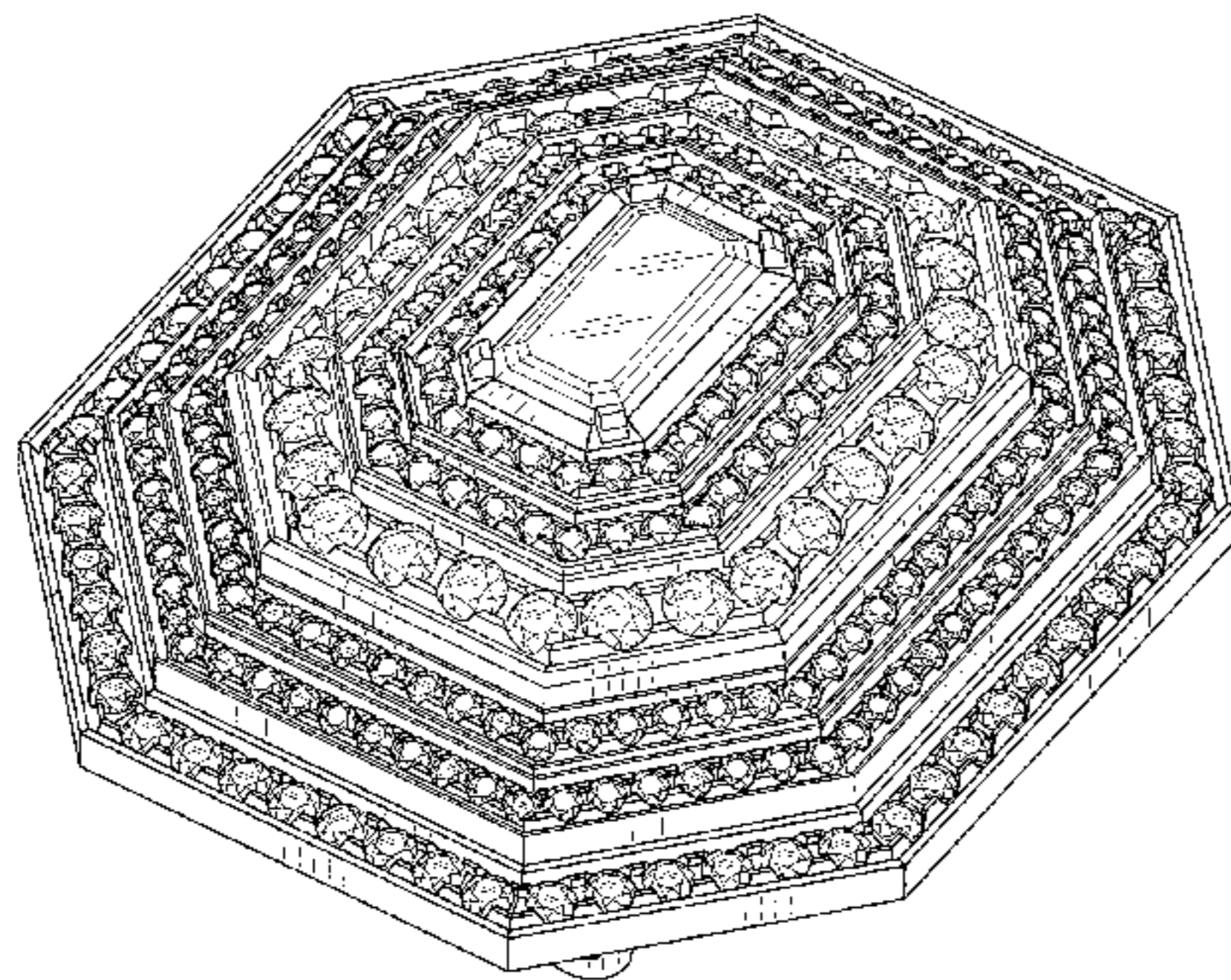
(57) **CLAIM**

The ornamental design for a watchcase, as shown and described.

**DESCRIPTION**

FIG. 1 is a right front perspective view of a watchcase showing my new design;  
FIG. 2 is a front view thereof;  
FIG. 3 is a rear view thereof;  
FIG. 4 is a left side view thereof;  
FIG. 5 is a right side elevational view thereof;  
FIG. 6 is a top plan view thereof;  
FIG. 7 is a bottom plan view thereof;  
FIG. 8 is a left rear perspective view thereof;  
FIG. 9 is a right front perspective view thereof with the cover in an open position;  
FIG. 10 is a front view of FIG. 9;  
FIG. 11 is a left side view of FIG. 9; and,  
FIG. 12 is a right side view of FIG. 9.

**1 Claim, 9 Drawing Sheets**





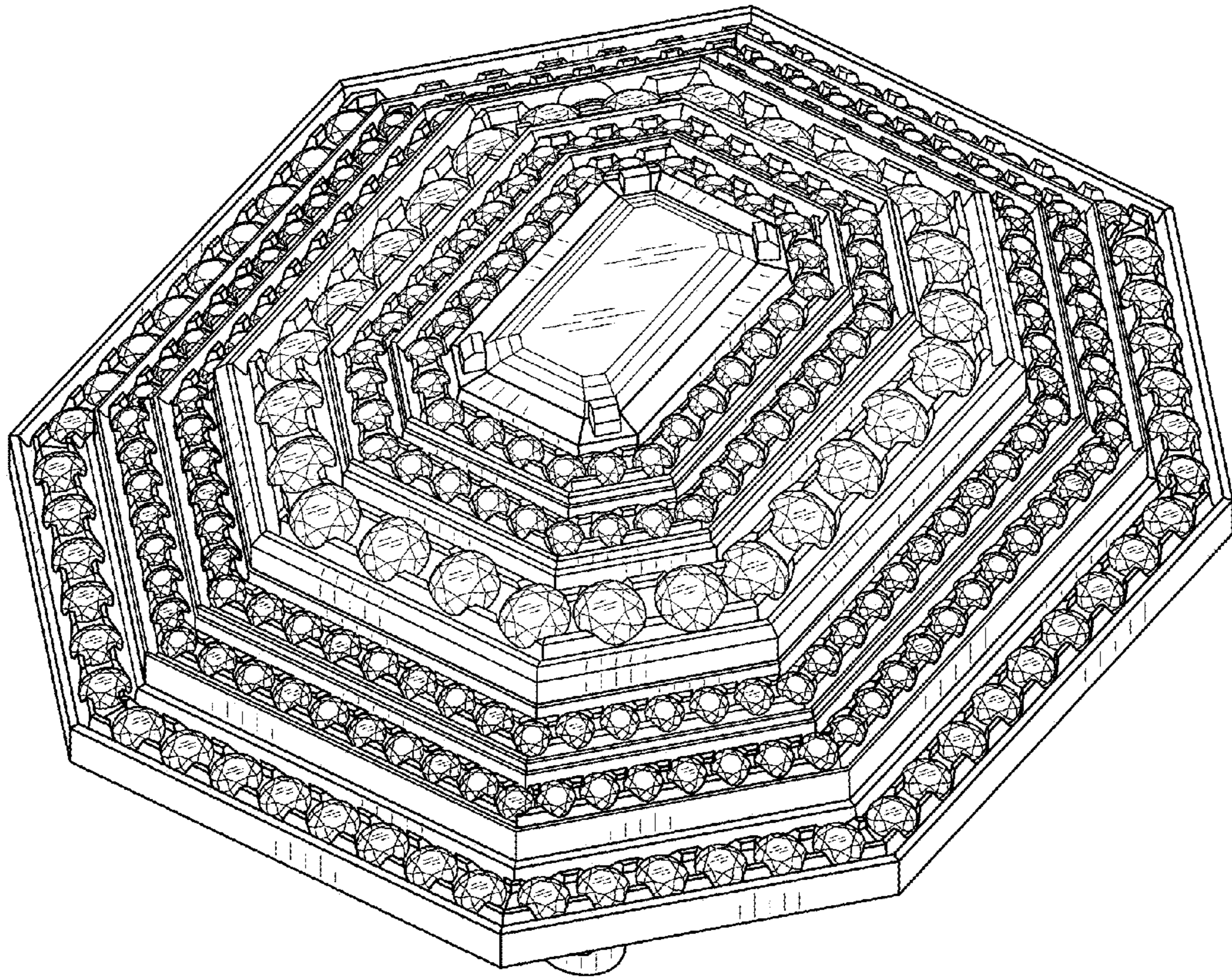


FIG. 1



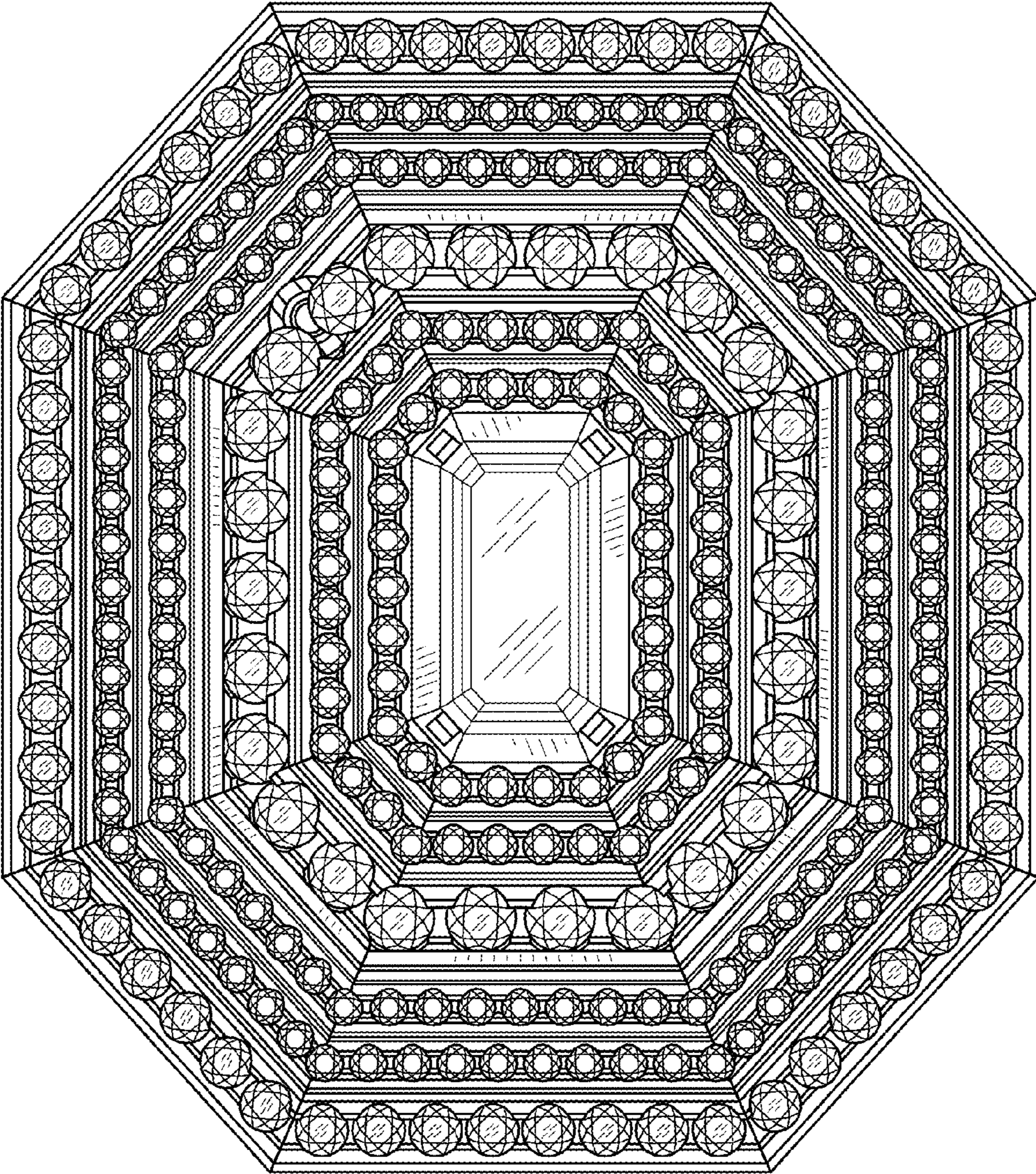


FIG. 2



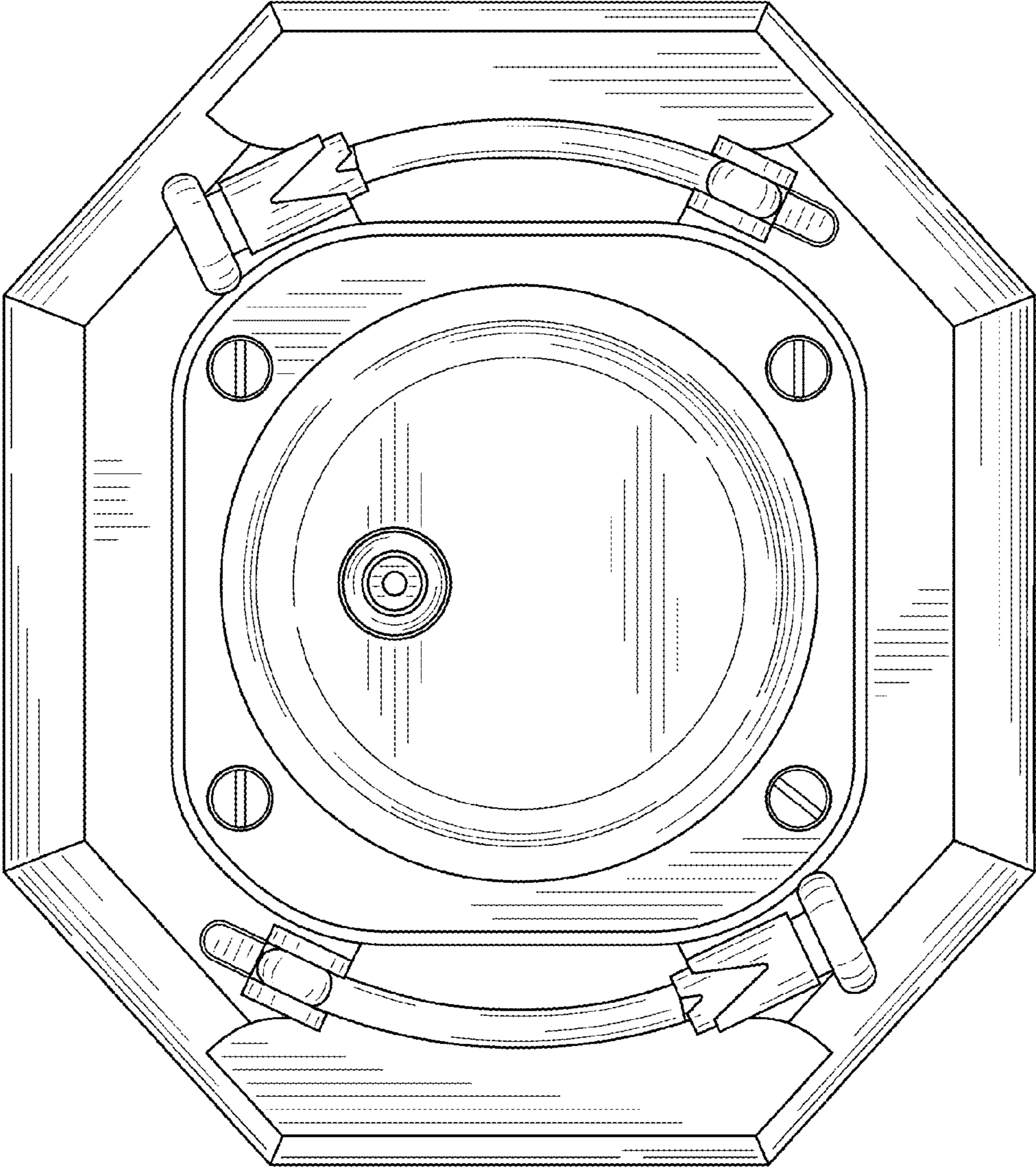


FIG. 3

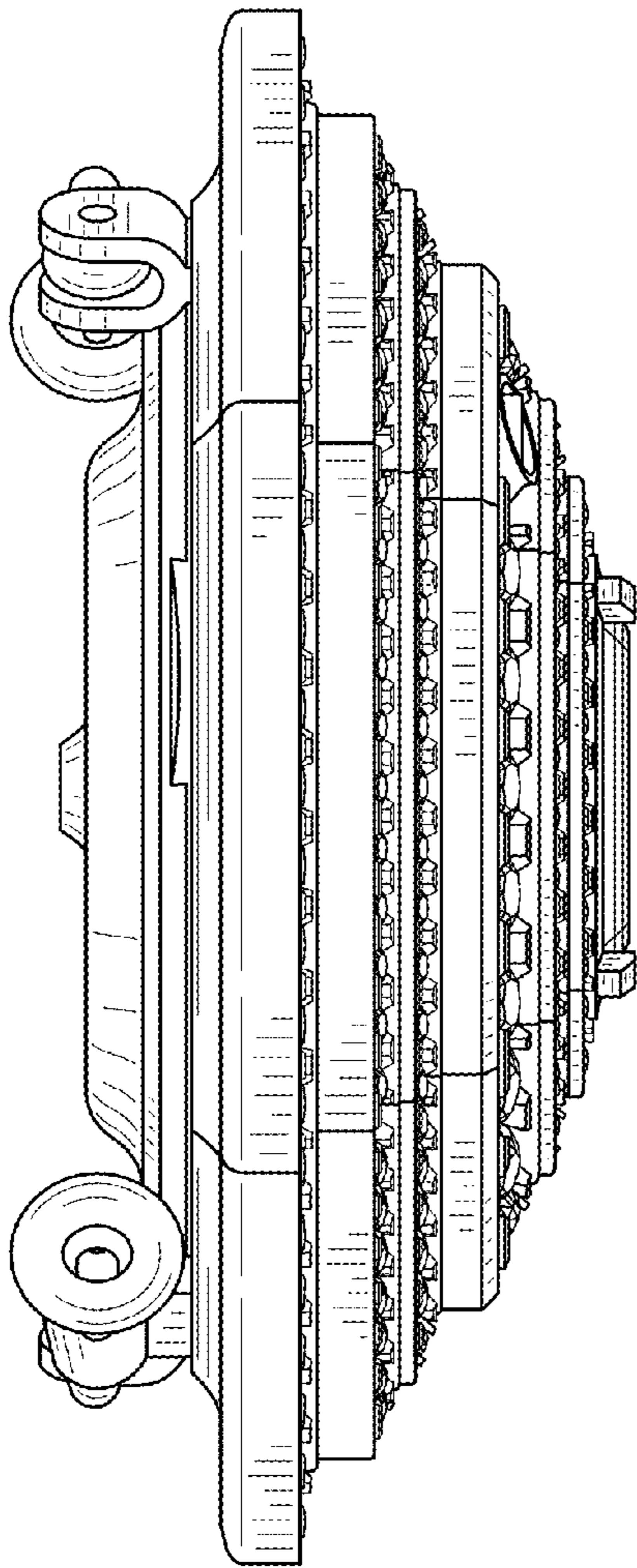


FIG. 4

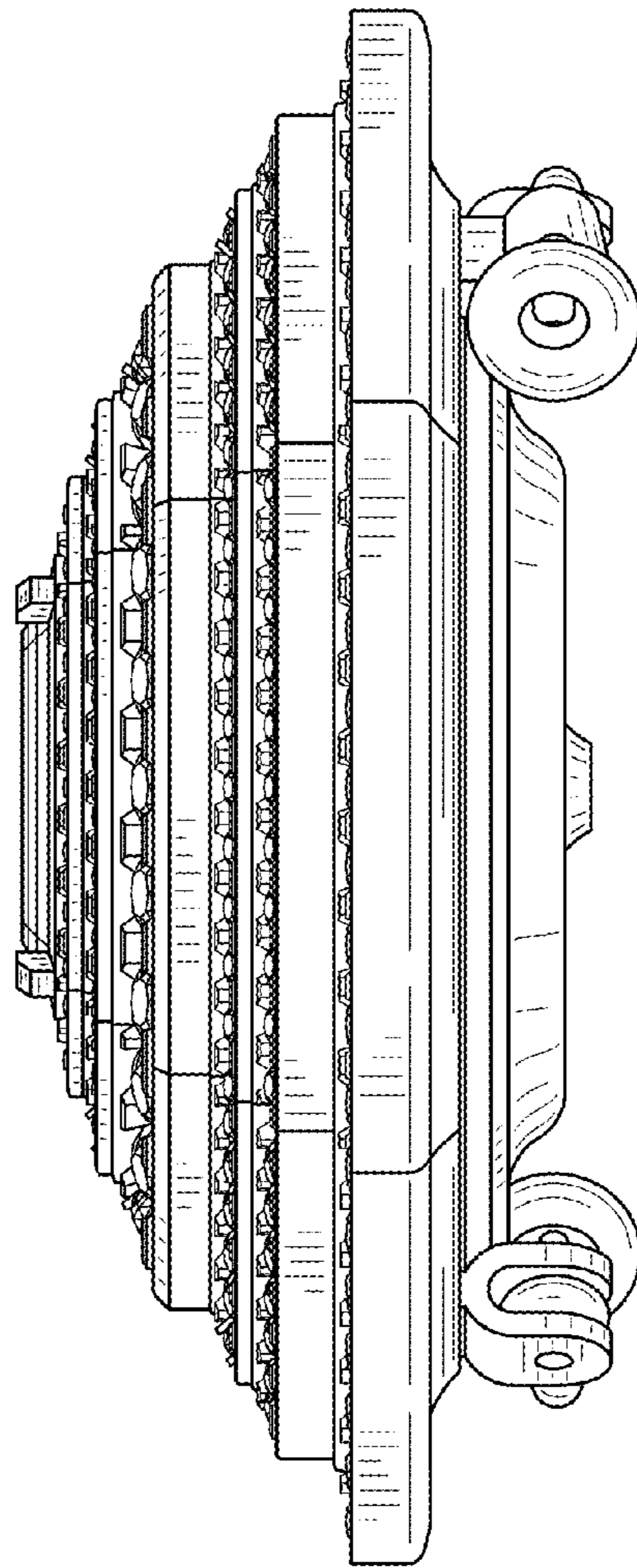


FIG. 5

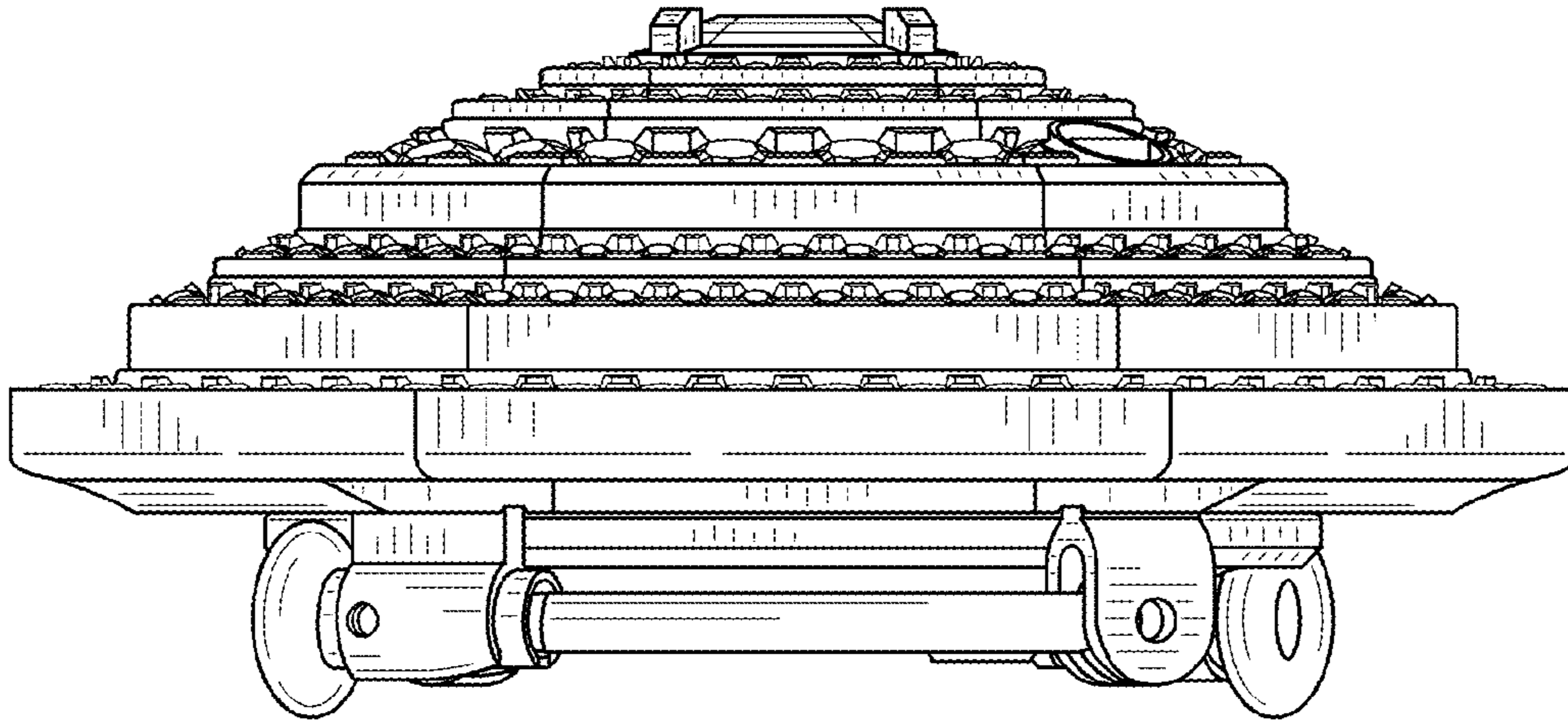


FIG. 6

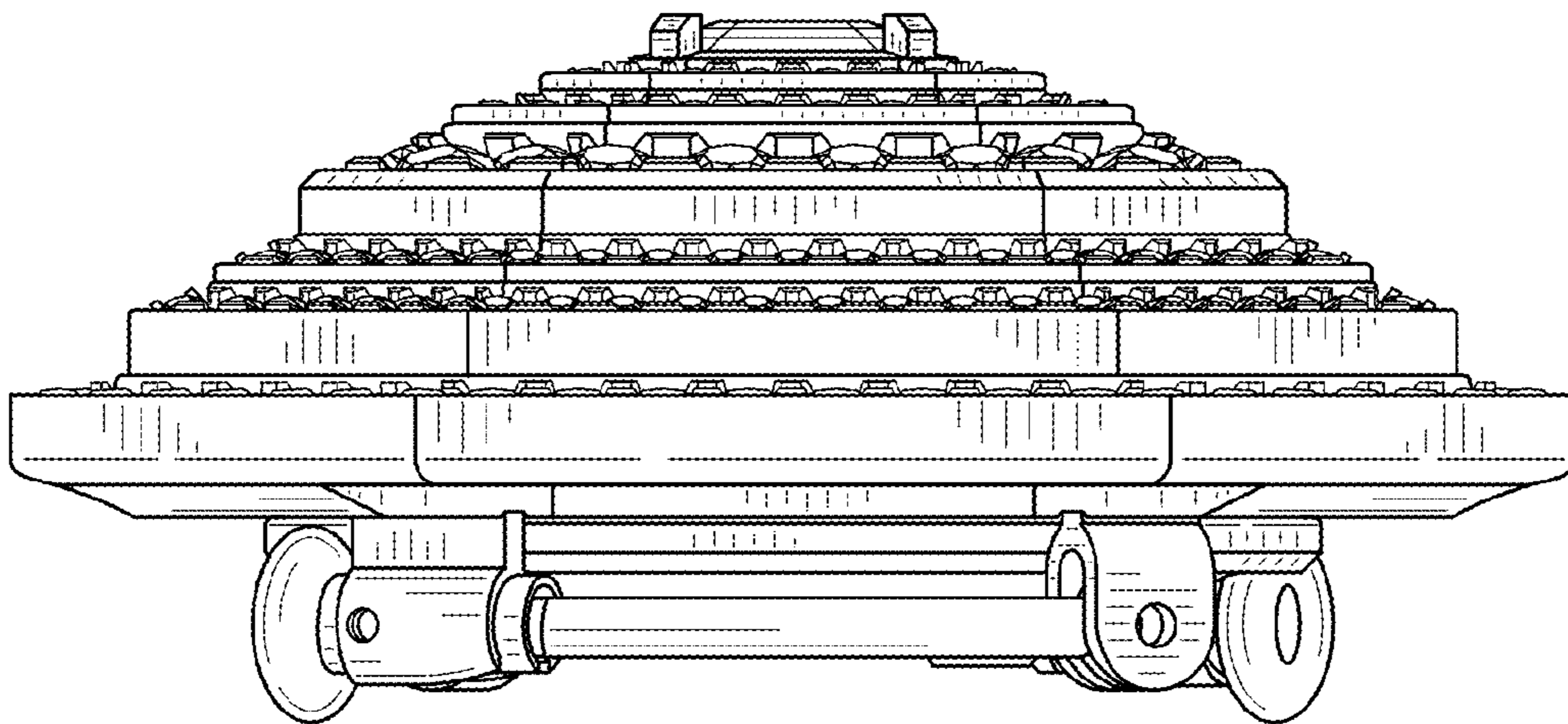


FIG. 7



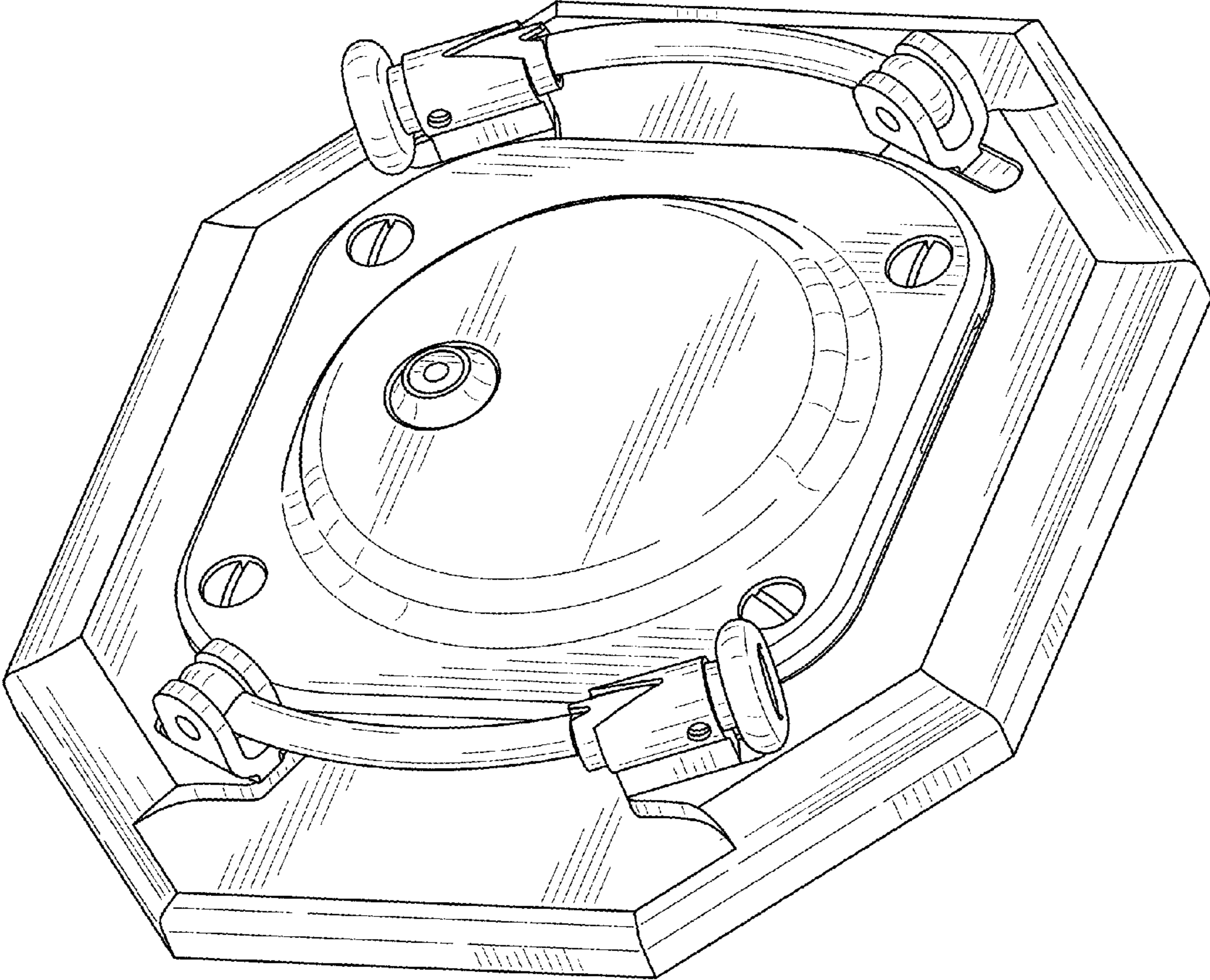


FIG. 8



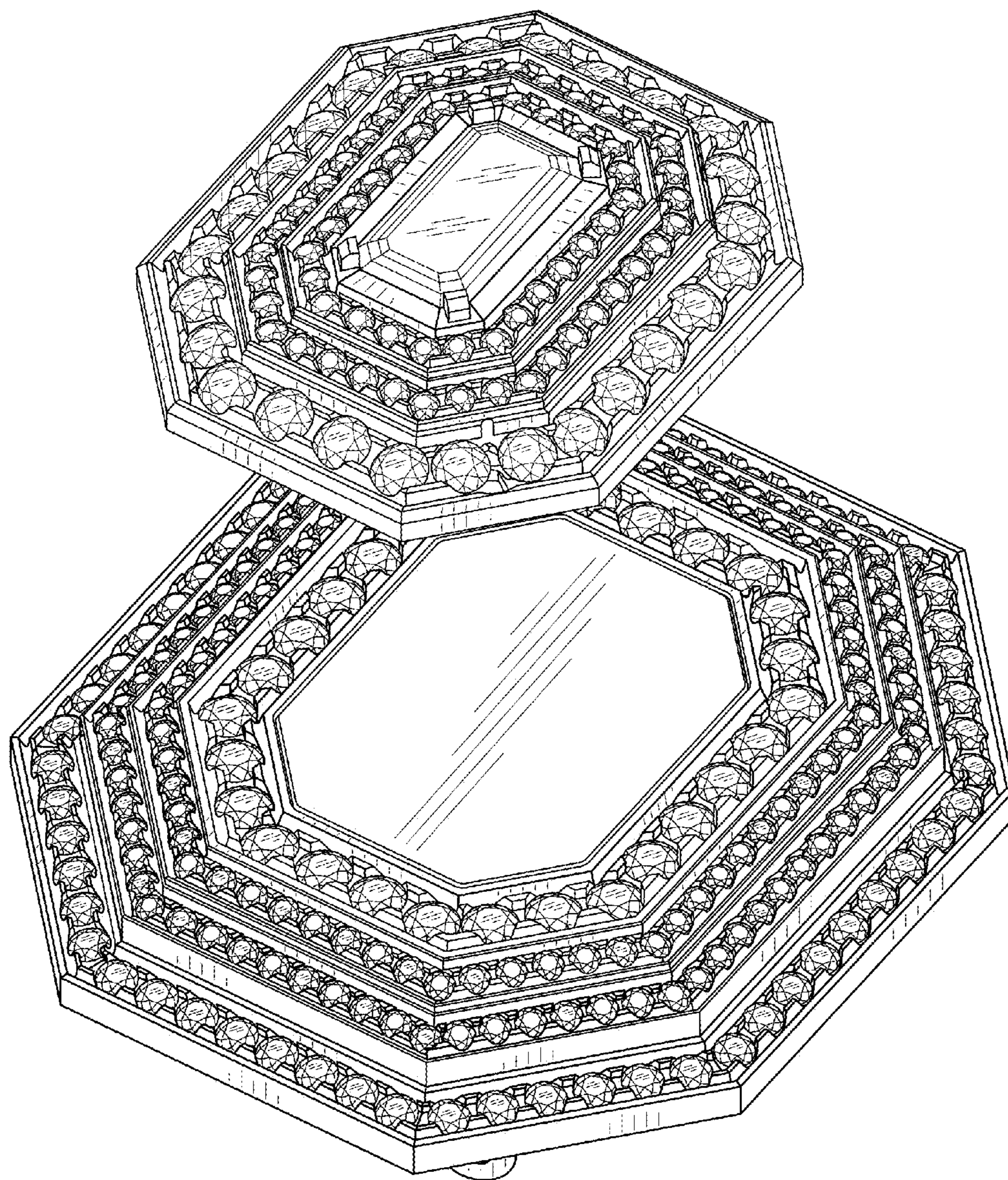


FIG. 9



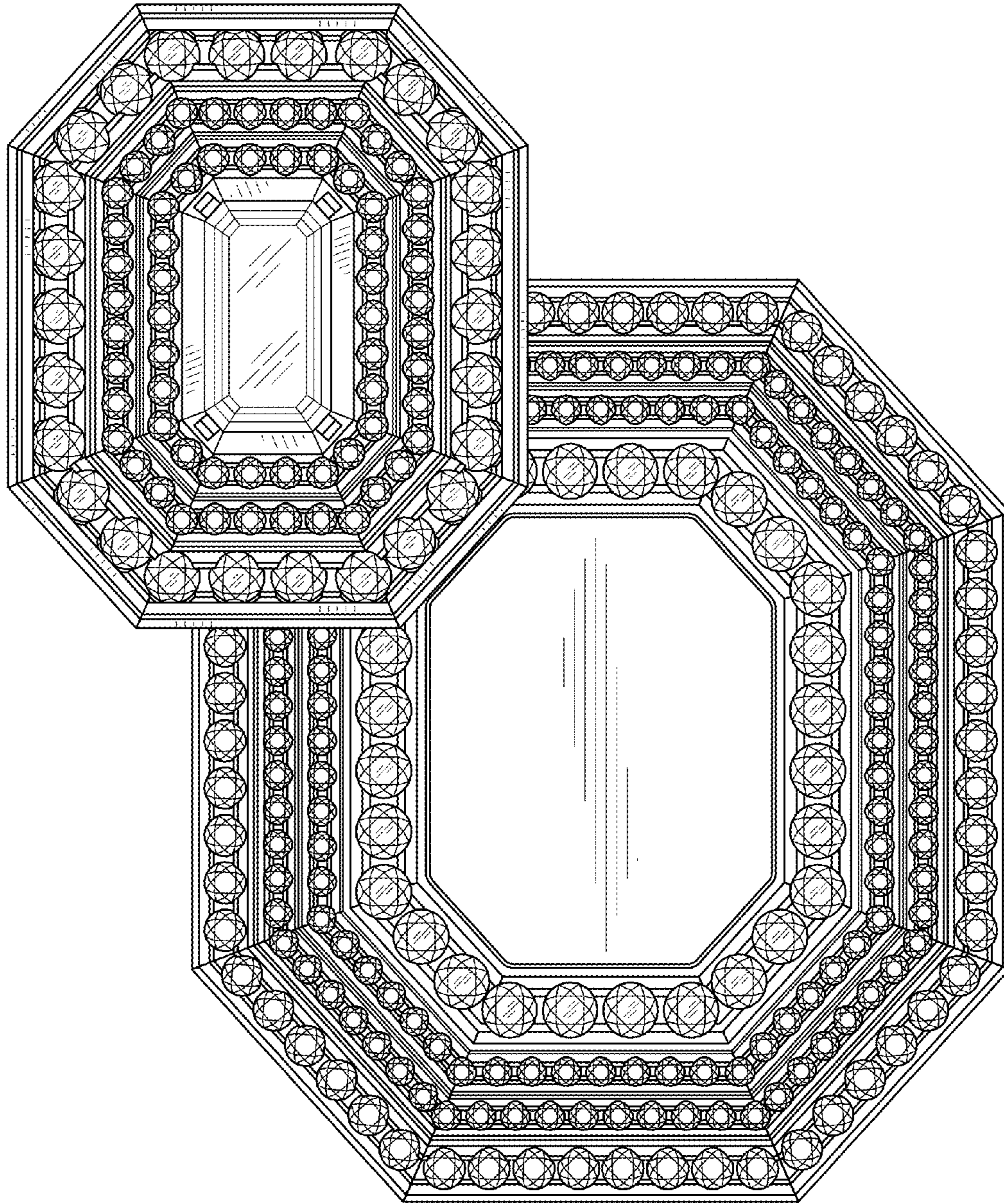


FIG. 10



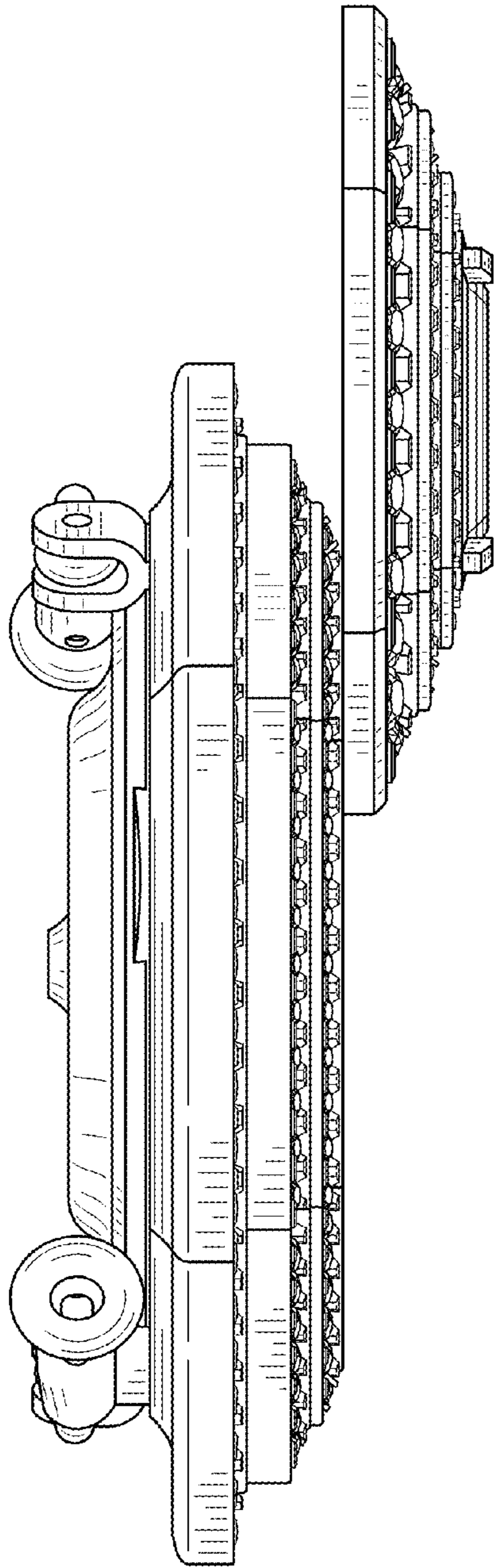


FIG. 11

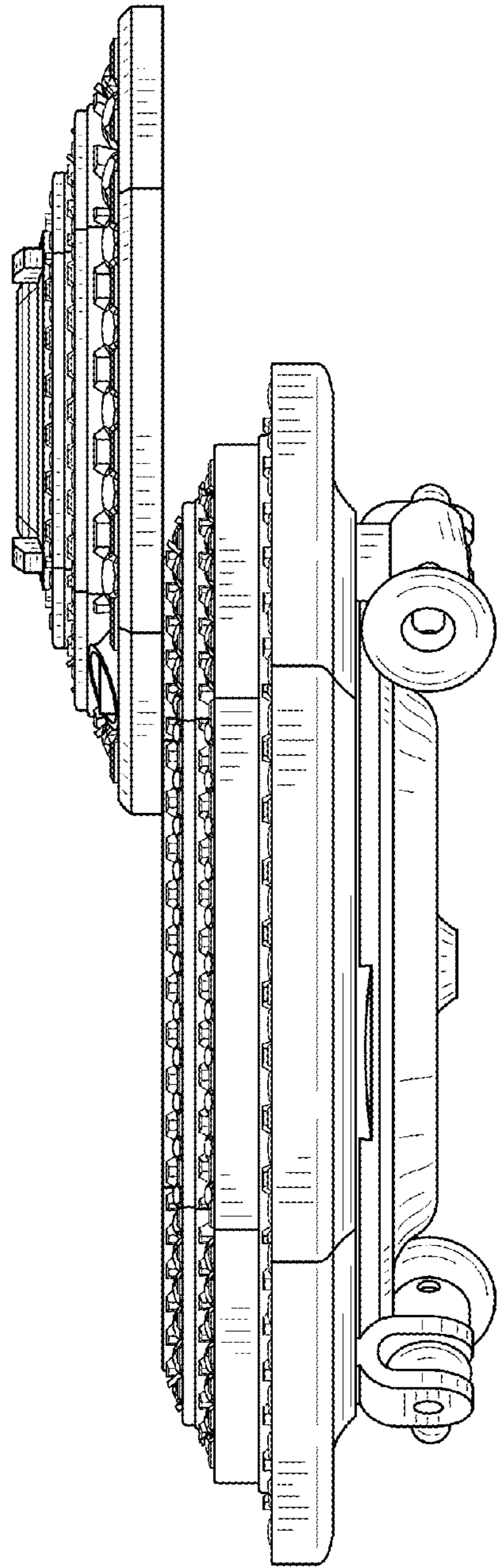


FIG. 12