



US00D747654S

(12) **United States Design Patent**
Westhofen

(10) **Patent No.:** **US D747,654 S**
(45) **Date of Patent:** **** Jan. 19, 2016**

(54) **CONTAINER**

(71) Applicant: **Henkel AG & Co. KGaA**, Duesseldorf (DE)

(72) Inventor: **Christa Westhofen**, Dornbirn (AT)

(73) Assignee: **Henkel AG & Co. KGaA**, Duesseldorf (DE)

(**) Term: **14 Years**

(21) Appl. No.: **29/493,706**

(22) Filed: **Jun. 12, 2014**

(30) **Foreign Application Priority Data**

Dec. 13, 2013 (EM) 002369074

(51) **LOC (10) Cl.** **09-01**

(52) **U.S. Cl.**
USPC **D9/565**; D9/546; D9/552; D9/556

(58) **Field of Classification Search**
USPC D3/202, 203.2, 901; D4/116; D7/313, D7/509-511, 590-560, 601-612, 619.1; D9/536, 546, 552, 556, 560, 565; D19/93; D23/211.1-211.2, 366; D24/121, 124, 197, 224; D28/4, 7, 20, D28/66, 76, 82, 83, 85, 88, 89, 91.1; D6/515, 518, 522, 523, 535, 541, 542; 426/115; 215/62.22, 220, 283-285, 215/329, 396, 398; 220/674, 710, 837; 222/182, 209, 252
CPC A45D 33/003; A45D 33/22; A45D 34/00; A45D 40/30; A61J 1/03; A61J 1/05; A47G 19/22; A47G 19/2205; A47G 19/2266; B65D 1/02; B65D 1/0223; B65D 1/08; B65D 1/10

See application file for complete search history.

(56) **References Cited**

U.S. PATENT DOCUMENTS

D294,679 S *	3/1988	Griesing	D9/520
D411,803 S *	7/1999	Guertin	D9/520
D421,721 S *	3/2000	Guertin	D9/520
D530,212 S *	10/2006	Darr	D9/543
D536,985 S *	2/2007	Forget	D9/541
D587,126 S *	2/2009	DeSico	D9/541
D597,849 S *	8/2009	Aoyagi	D9/520
D599,213 S *	9/2009	DeSico	D9/565
D632,182 S *	2/2011	Russell	D9/560
D641,638 S *	7/2011	Stengel	D9/560
D655,182 S *	3/2012	Kraft	D9/560
D675,101 S *	1/2013	Wilson	D9/559
D731,894 S *	6/2015	Meyer	D9/453

FOREIGN PATENT DOCUMENTS

CN	303028949	*	12/2014
EM	0002548230-0001	*	10/2014
JP	D1285841	*	11/2006

* cited by examiner

Primary Examiner — Thomas Johannes
Assistant Examiner — Catherine Posthauer
(74) *Attorney, Agent, or Firm* — Thomas G. Krivulka

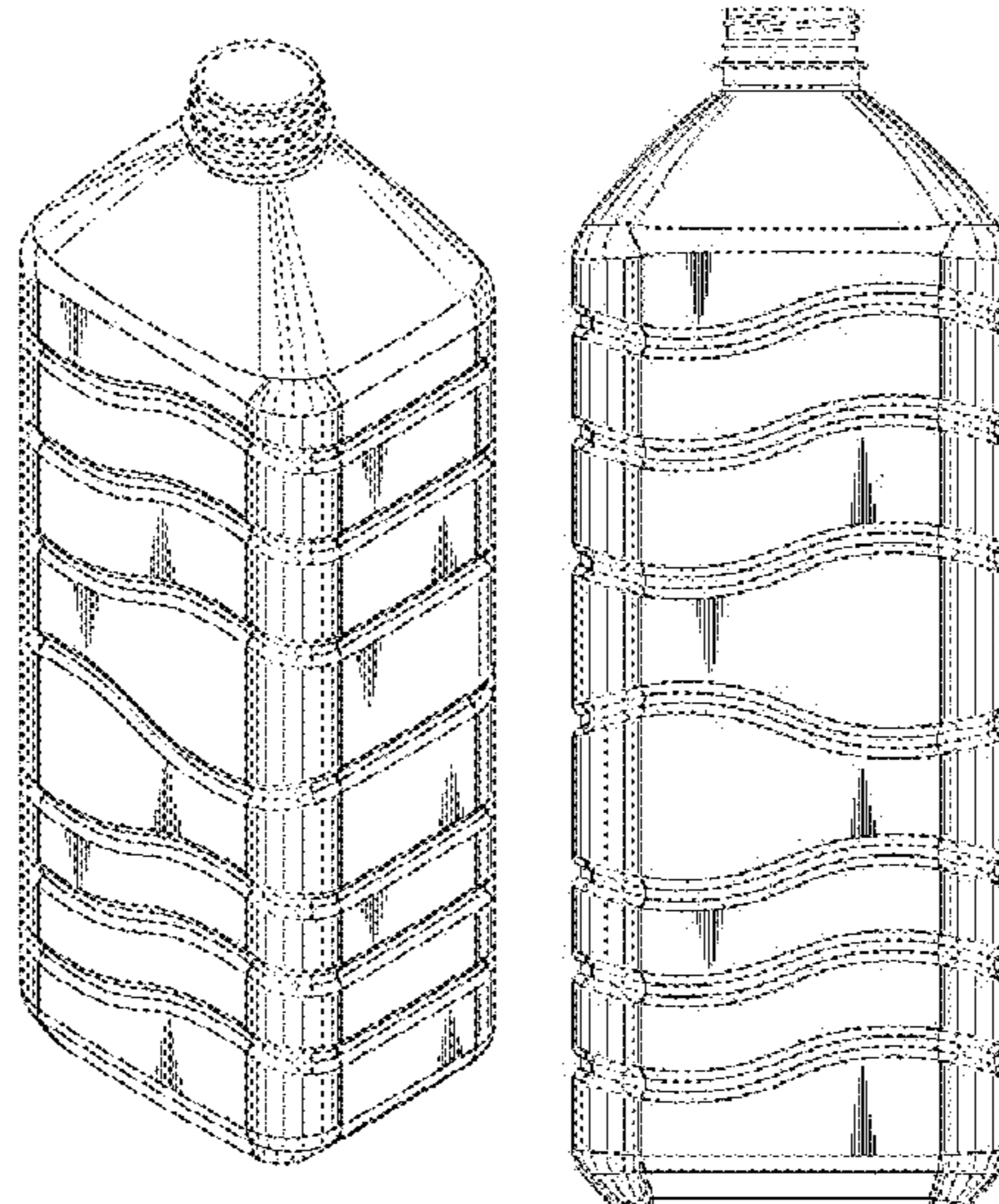
(57) **CLAIM**

The ornamental design for container, as shown and described.

DESCRIPTION

FIG. 1 is a front perspective view of a container embodying our new design;
FIG. 2 is a front side elevation view thereof;
FIG. 3 is a rear side elevation view thereof;
FIG. 4 is a left side elevation view thereof;
FIG. 5 is a right side elevation view thereof; and,
FIG. 6 is a top plan view thereof.
The broken line portions of the drawings are shown for the purpose of illustrating portions of the container that form no part of the claimed design.

1 Claim, 6 Drawing Sheets



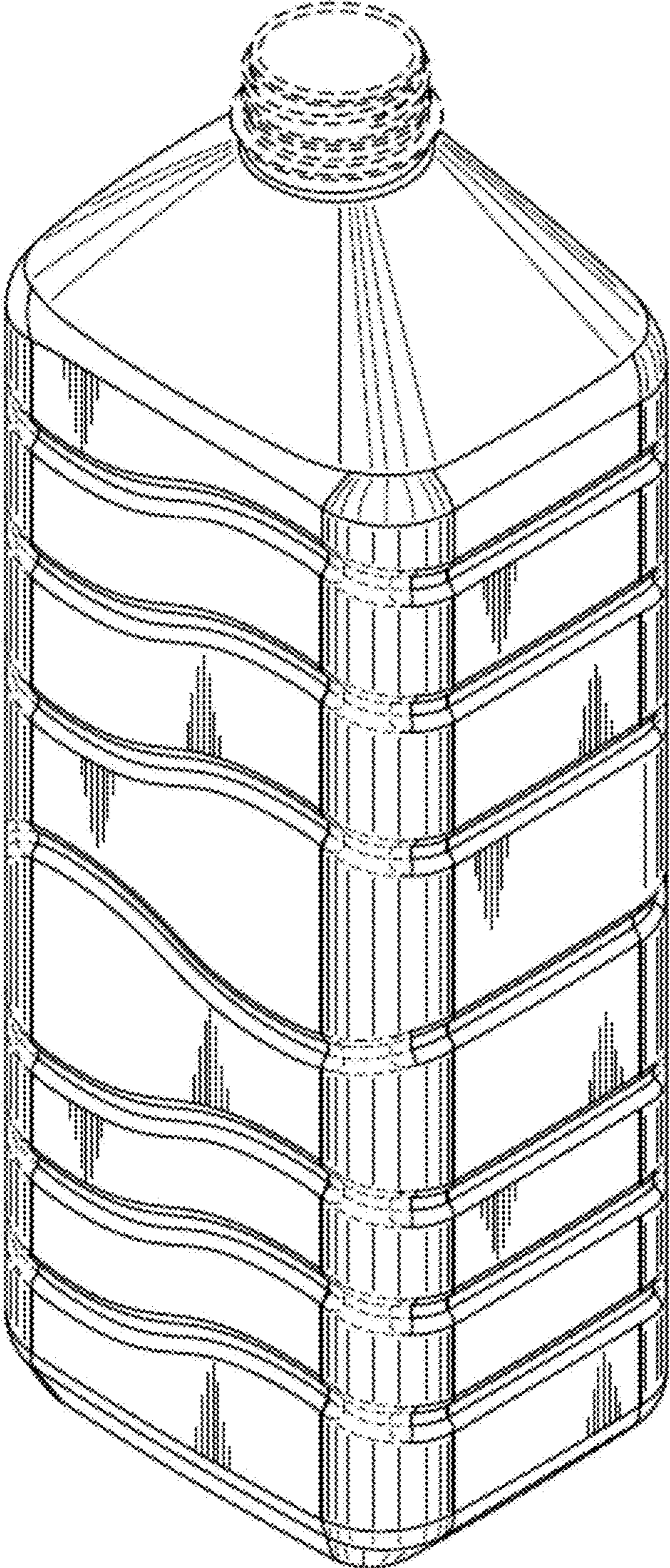


FIG. 1

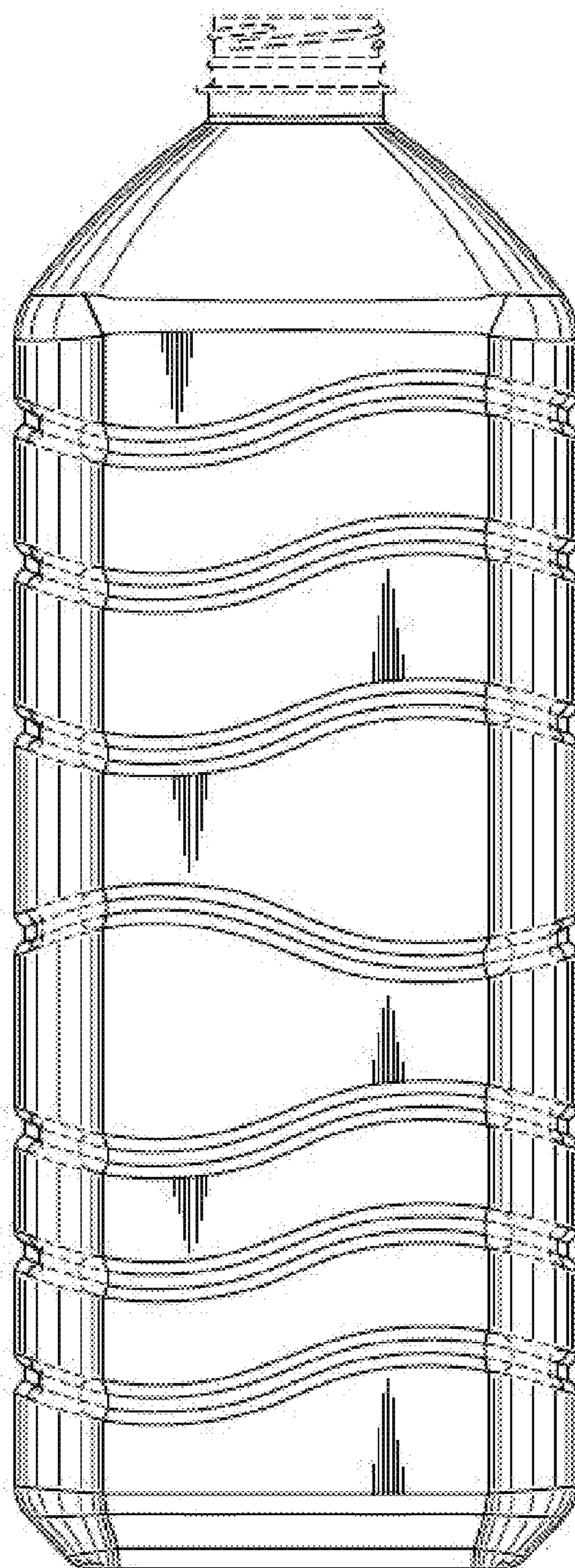


FIG. 2

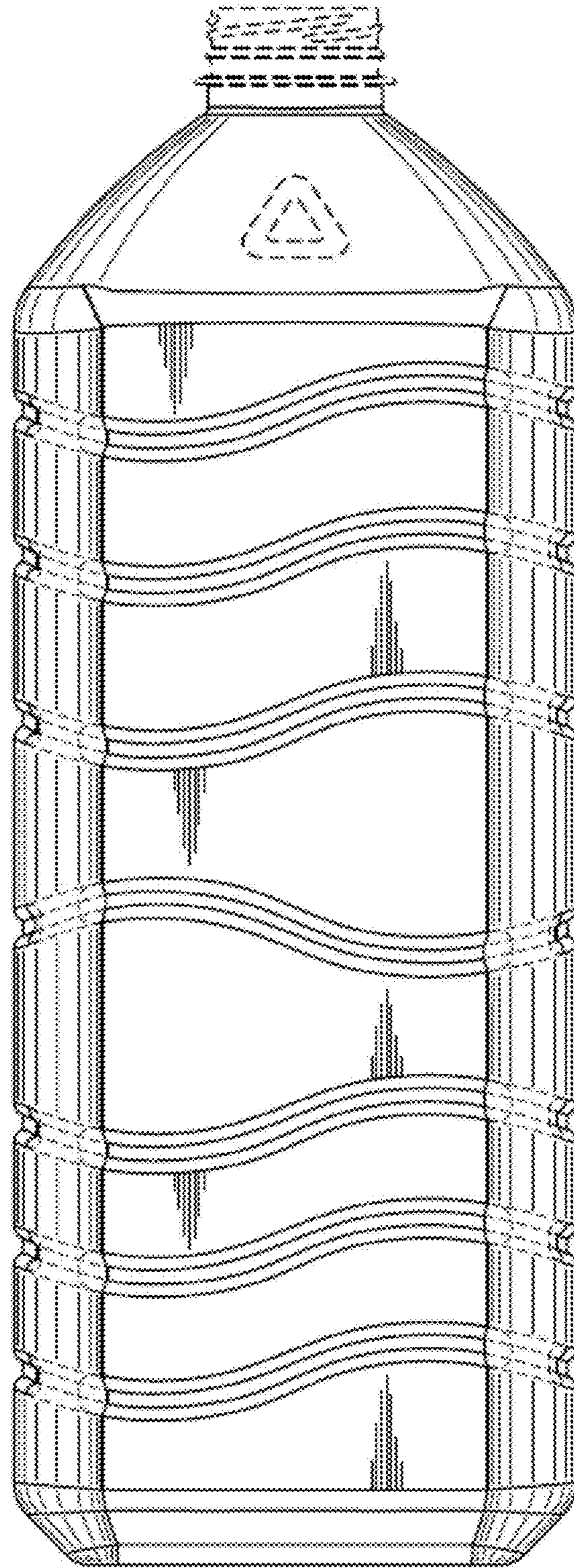


FIG. 3

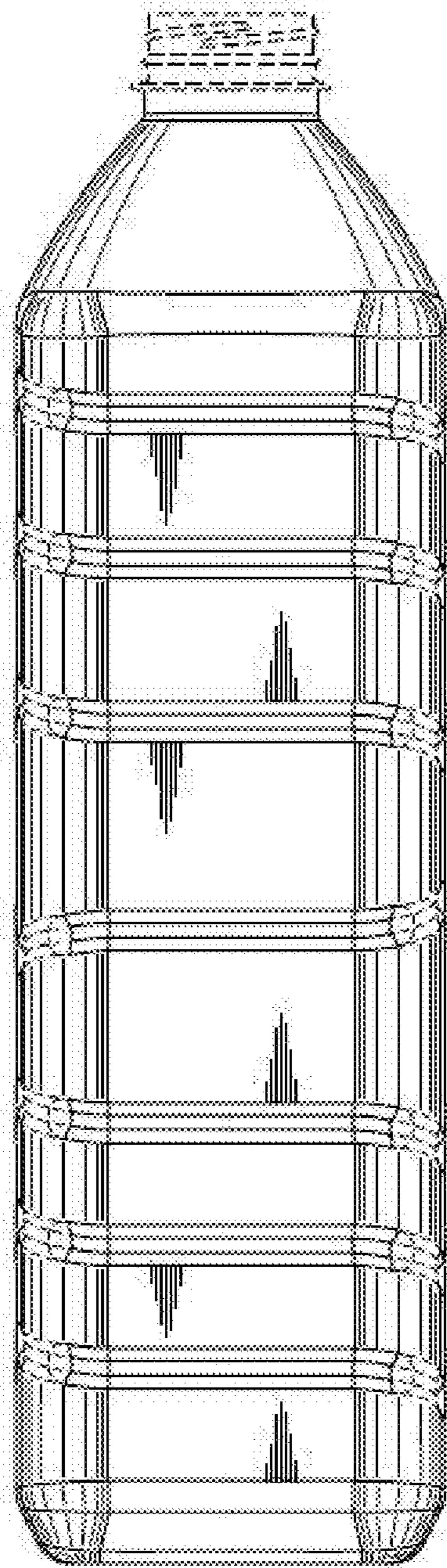


FIG. 4

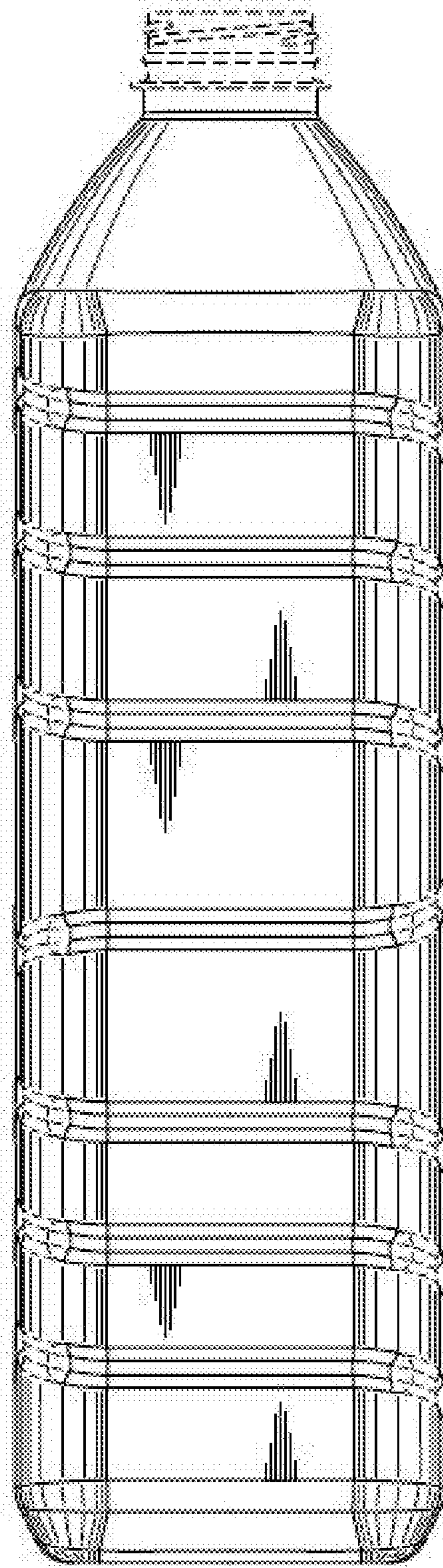


FIG. 5

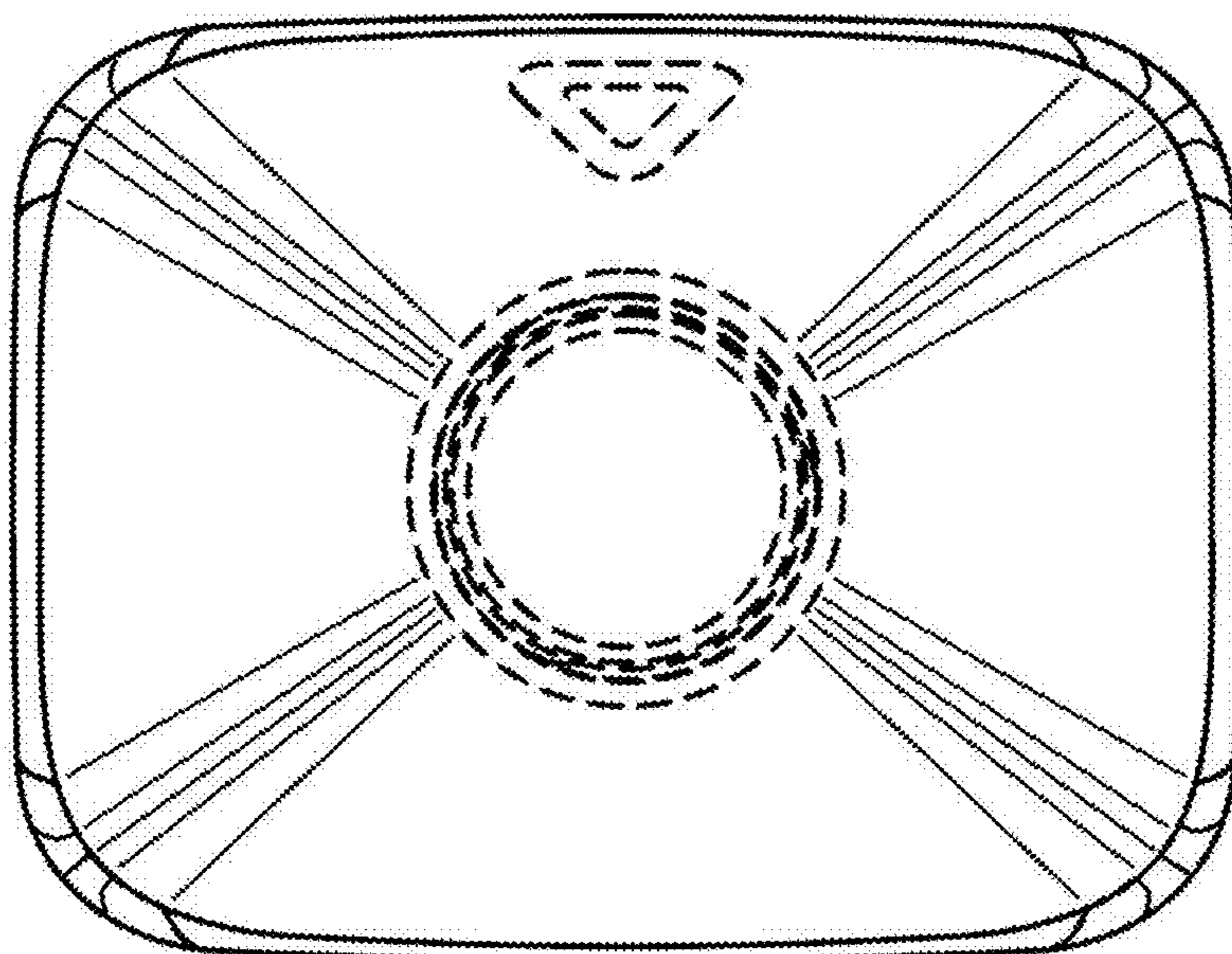


FIG. 6