



US00D747651S

(12) **United States Design Patent**  
**Hawry et al.**

(10) **Patent No.:** **US D747,651 S**  
(45) **Date of Patent:** **\*\* Jan. 19, 2016**

- (54) **CLOSURE TO A BOTTLE**
- (71) Applicant: **Berlin Packaging, LLC**, Chicago, IL (US)
- (72) Inventors: **Liam Hawry**, Chicago, IL (US); **Brett Niggel**, St. Corry, PA (US); **Nora Flood**, Chicago, IL (US)
- (73) Assignee: **Berling Packaging, LLC**, Chicago, IL (US)
- (\*\*) Term: **14 Years**

*Primary Examiner* — Robert M Spear  
*Assistant Examiner* — Marissa J Cash  
(74) *Attorney, Agent, or Firm* — Adam K. Sacharoff; Much Shelist

- (21) Appl. No.: **29/504,383**
- (22) Filed: **Oct. 6, 2014**
- (51) **LOC (10) Cl.** ..... **09-07**
- (52) **U.S. Cl.**  
USPC ..... **D9/449**
- (58) **Field of Classification Search**  
USPC ..... D7/300, 300.1, 300.2, 303, 313, 317, D7/602, 387, 509, 510, 511, 538; D9/434, D9/435, 436, 439, 440, 441, 442, 443, 444, D9/445, 446, 447, 448, 449, 450, 451, 452, D9/453, 454, 499; D3/203.2, 202  
CPC ..... B65D 41/26; B65D 41/32; B65D 59/06; B65D 47/0814; B65D 47/2031; B65D 51/249; B65D 2251/1066; B65D 41/02; B65D 23/00; B65D 39/08; B67D 3/0032; A47G 19/26; A47G 19/2266; B65F 1/14  
See application file for complete search history.

(57) **CLAIM**  
The ornamental design for a closure to a bottle, as shown and described.

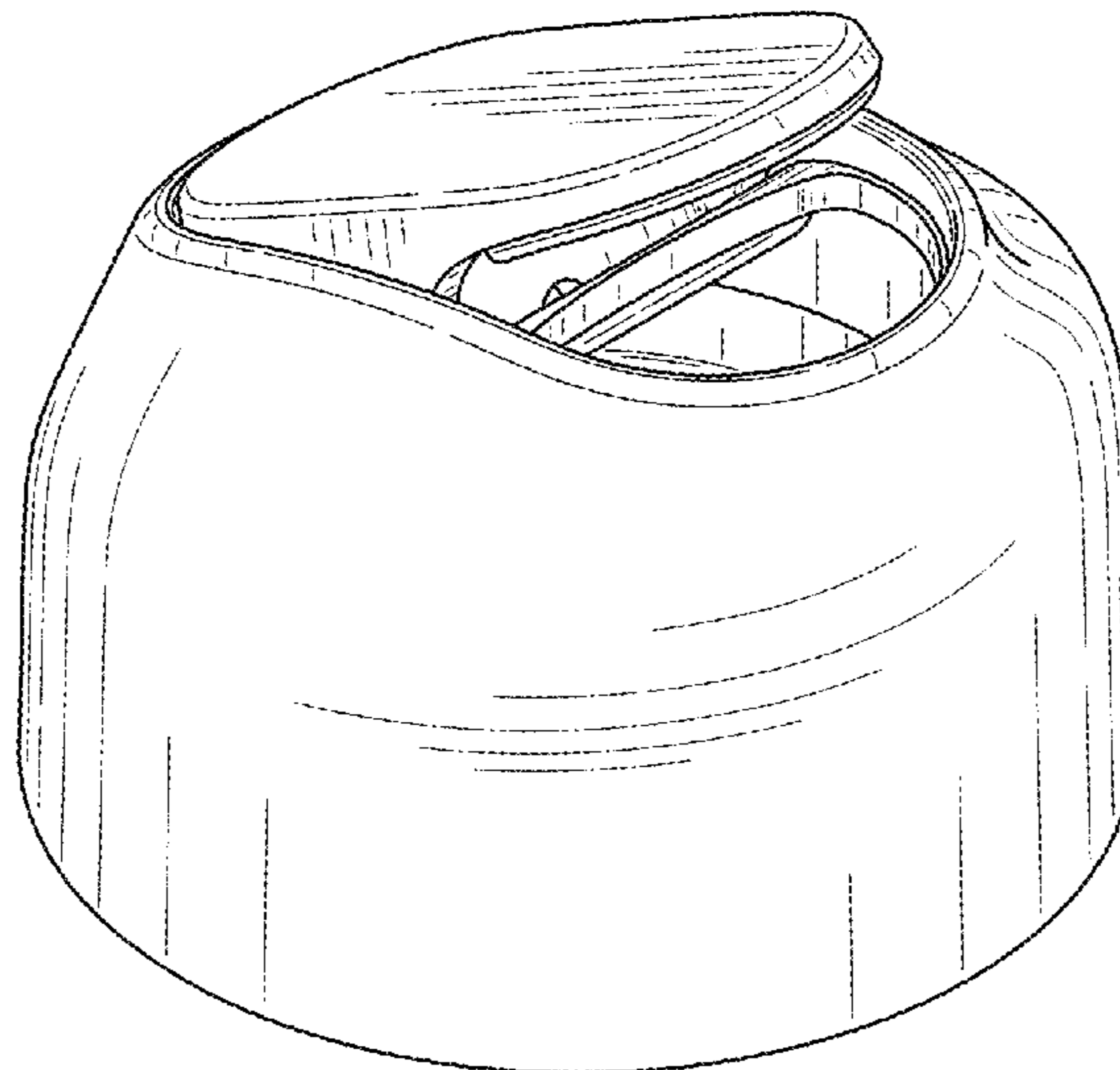
**DESCRIPTION**

FIG. 1 is a front right perspective view showing the new design in an open configuration;  
FIG. 2 is a rear left perspective view of FIG. 1;  
FIG. 3 is a bottom right perspective view of FIG. 1;  
FIG. 4 is a bottom rear perspective view of FIG. 1;  
FIG. 5 is a cross sectional perspective view of FIG. 1;  
FIG. 6 is a right side view of FIG. 1, the left side view being a mirror thereof;  
FIG. 7 is a rear side view of FIG. 1;  
FIG. 8 is a front side view of FIG. 1;  
FIG. 9 is a top side view of FIG. 1;  
FIG. 10 is a bottom side view of FIG. 1;  
FIG. 11 is a front right perspective view showing the new design in a closed configuration;  
FIG. 12 is a rear left perspective view of FIG. 11;  
FIG. 13 is a bottom right perspective view of FIG. 11;  
FIG. 14 is a bottom rear perspective view of FIG. 11;  
FIG. 15 is a cross sectional perspective view of FIG. 11;  
FIG. 16 is a right side view of FIG. 11, the left side view being a mirror thereof;  
FIG. 17 is a rear side view of FIG. 11;  
FIG. 18 is a front side view of FIG. 11;  
FIG. 19 is a top side view of FIG. 11; and,  
FIG. 20 is a bottom side view of FIG. 11.

- (56) **References Cited**  
U.S. PATENT DOCUMENTS  
D339,065 S \* 9/1993 Forsyth ..... D9/447  
D406,763 S \* 3/1999 Watkins ..... D9/448  
D411,801 S \* 7/1999 Kinneir ..... D9/448

(Continued)

**1 Claim, 10 Drawing Sheets**



(56)

**References Cited**

U.S. PATENT DOCUMENTS

D490,710 S \* 6/2004 Bayer ..... D9/448  
D601,019 S \* 9/2009 Zupan ..... D9/449  
D650,671 S \* 12/2011 Althaus ..... D9/447  
D665,669 S \* 8/2012 Folli ..... D9/448

D666,491 S \* 9/2012 Adams ..... B65D 83/205  
D9/445  
D667,300 S \* 9/2012 Davis ..... D9/435  
D682,101 S \* 5/2013 Mazurkiewicz ..... D9/447  
D686,917 S \* 7/2013 Seng ..... D9/448  
D718,625 S \* 12/2014 Trevisan ..... D9/448  
D736,080 S \* 8/2015 Lavender ..... D9/434

\* cited by examiner

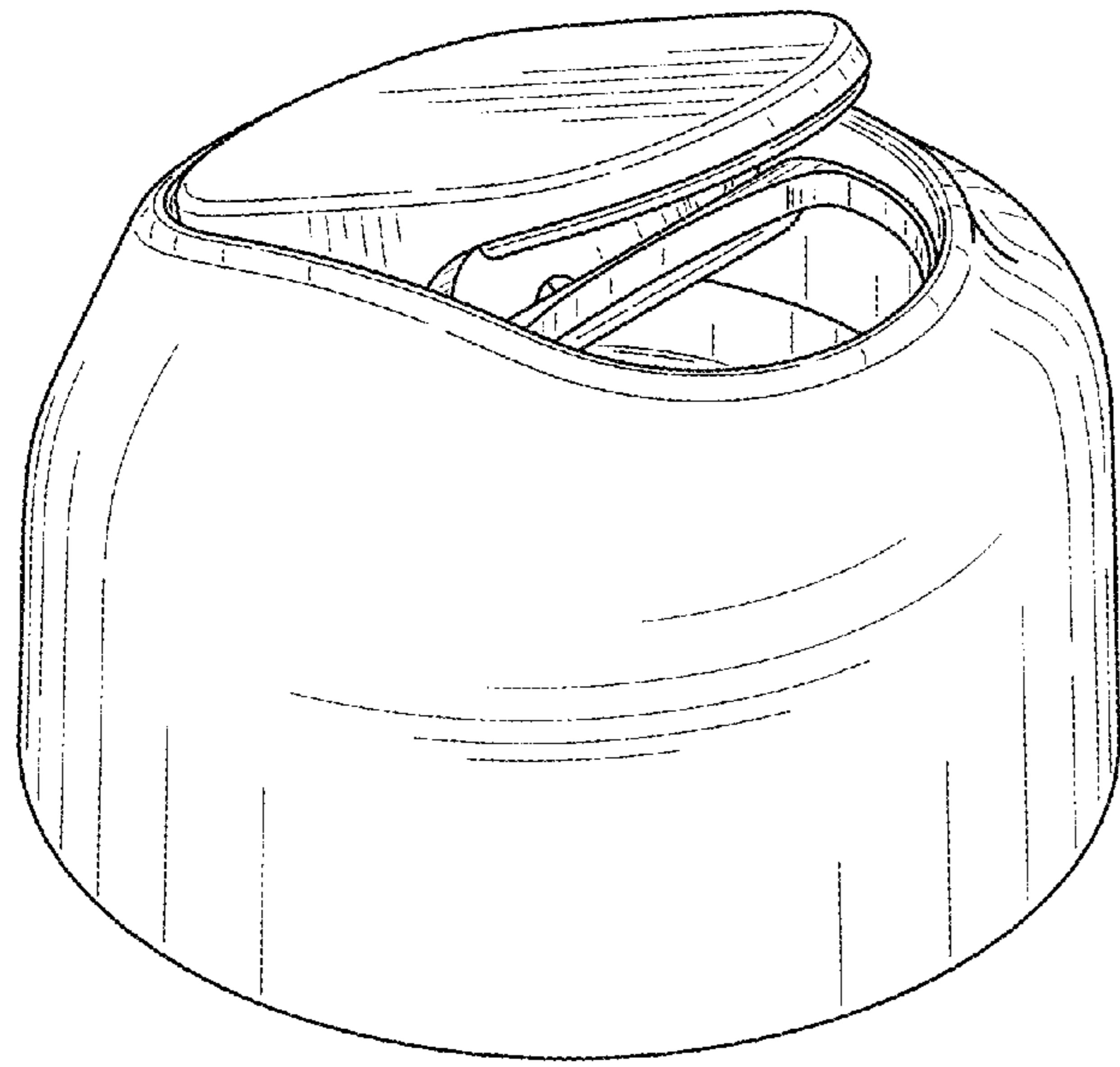


FIG. 1

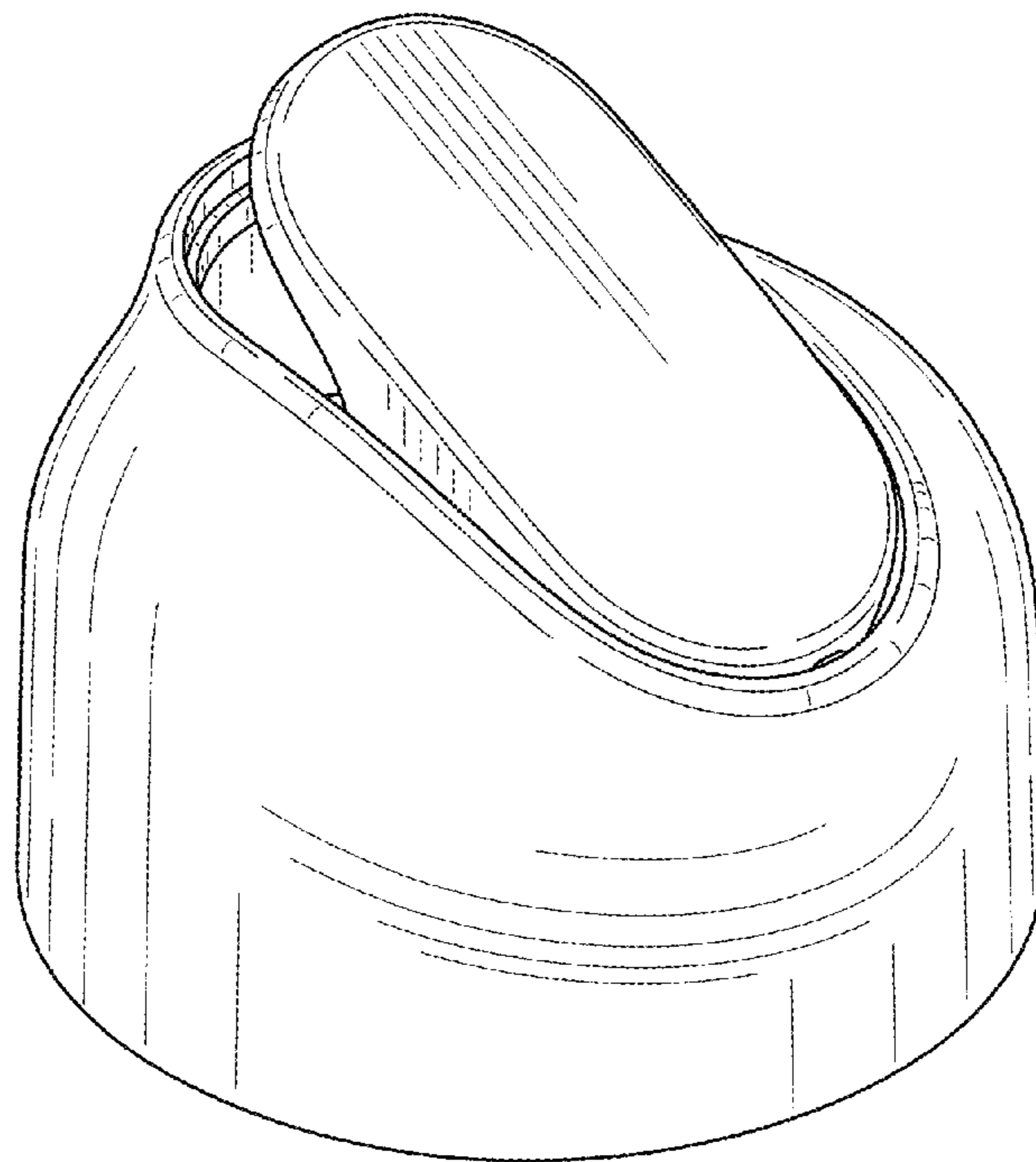


FIG. 2

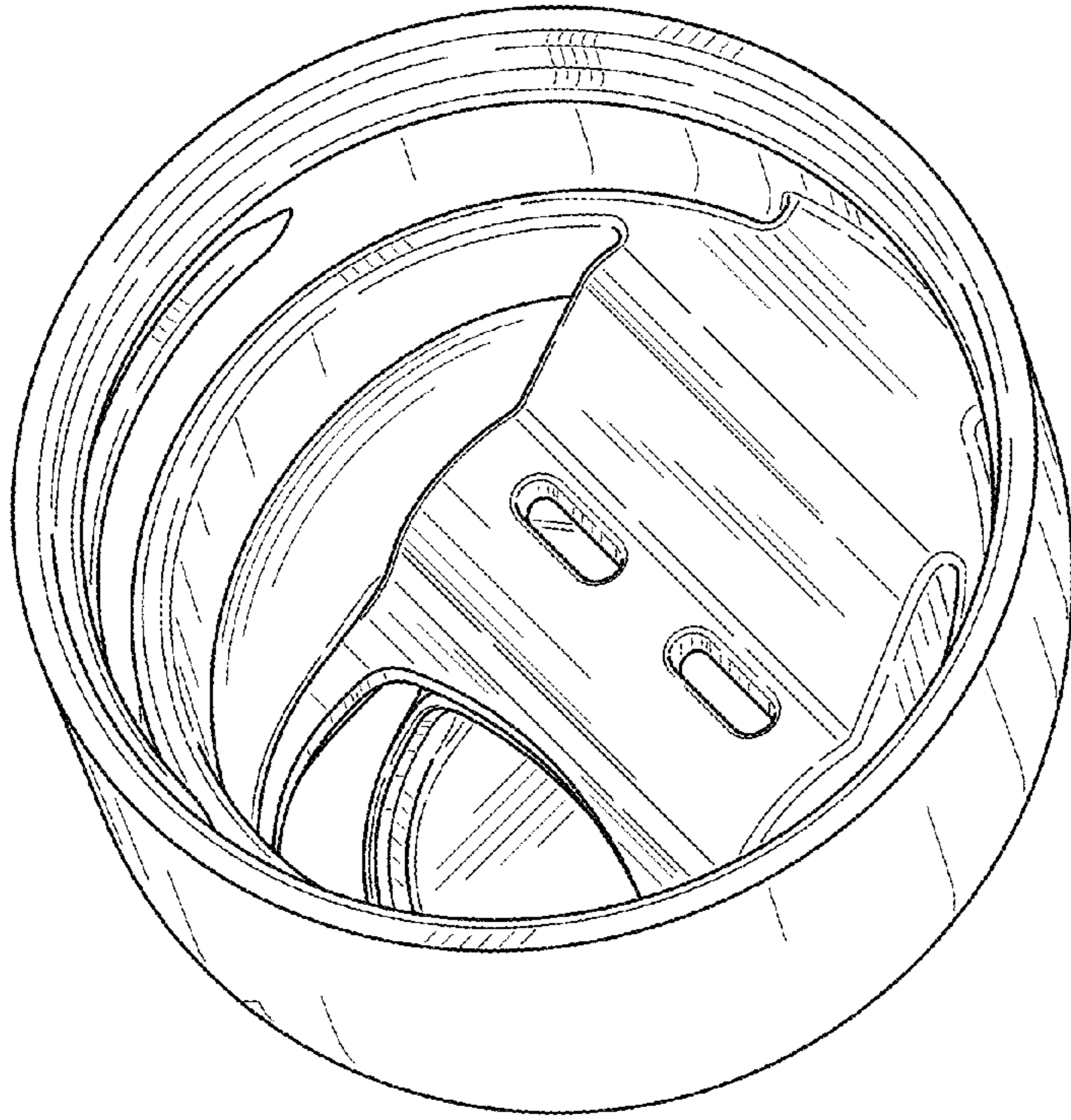


FIG. 3

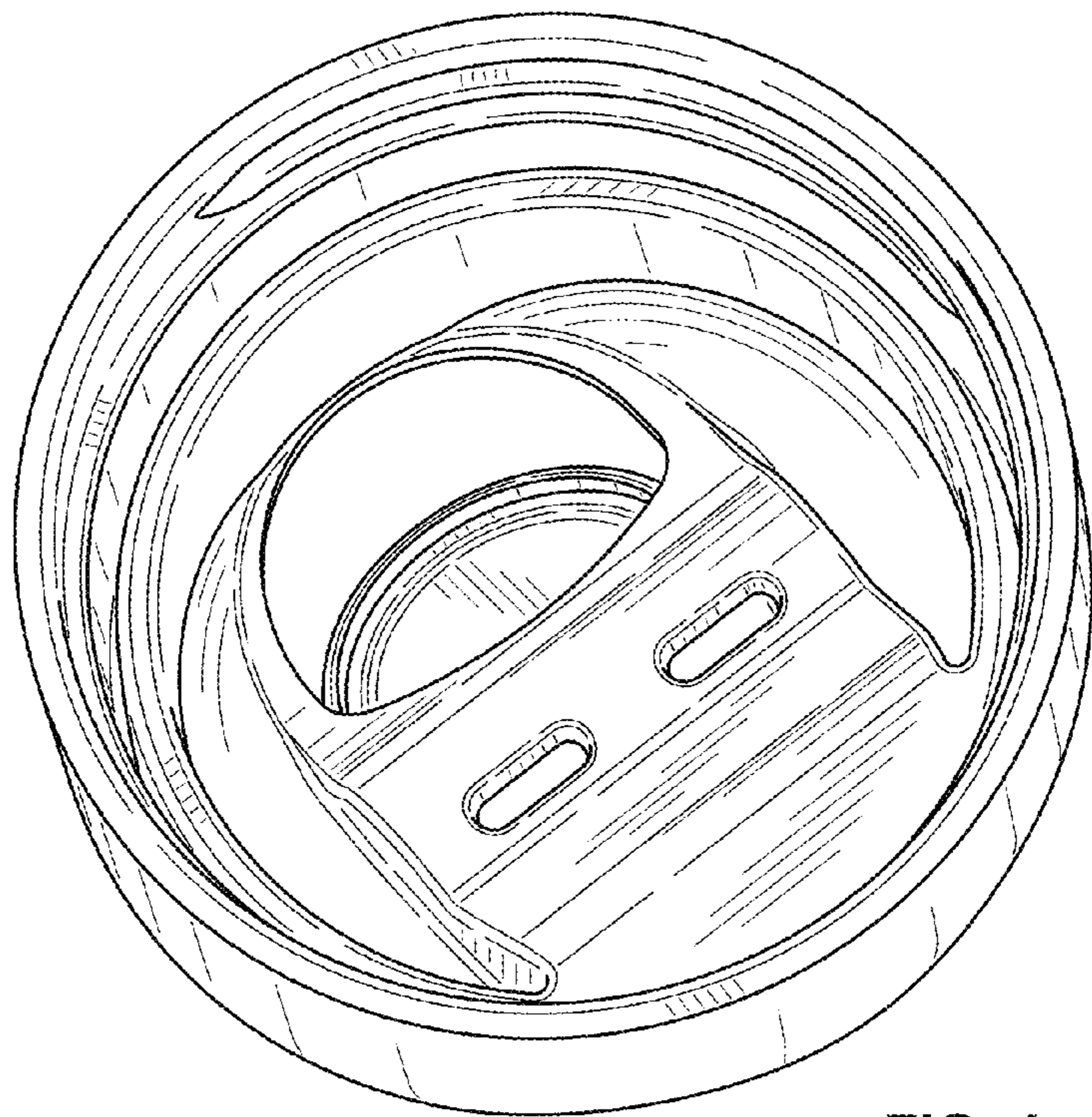


FIG. 4

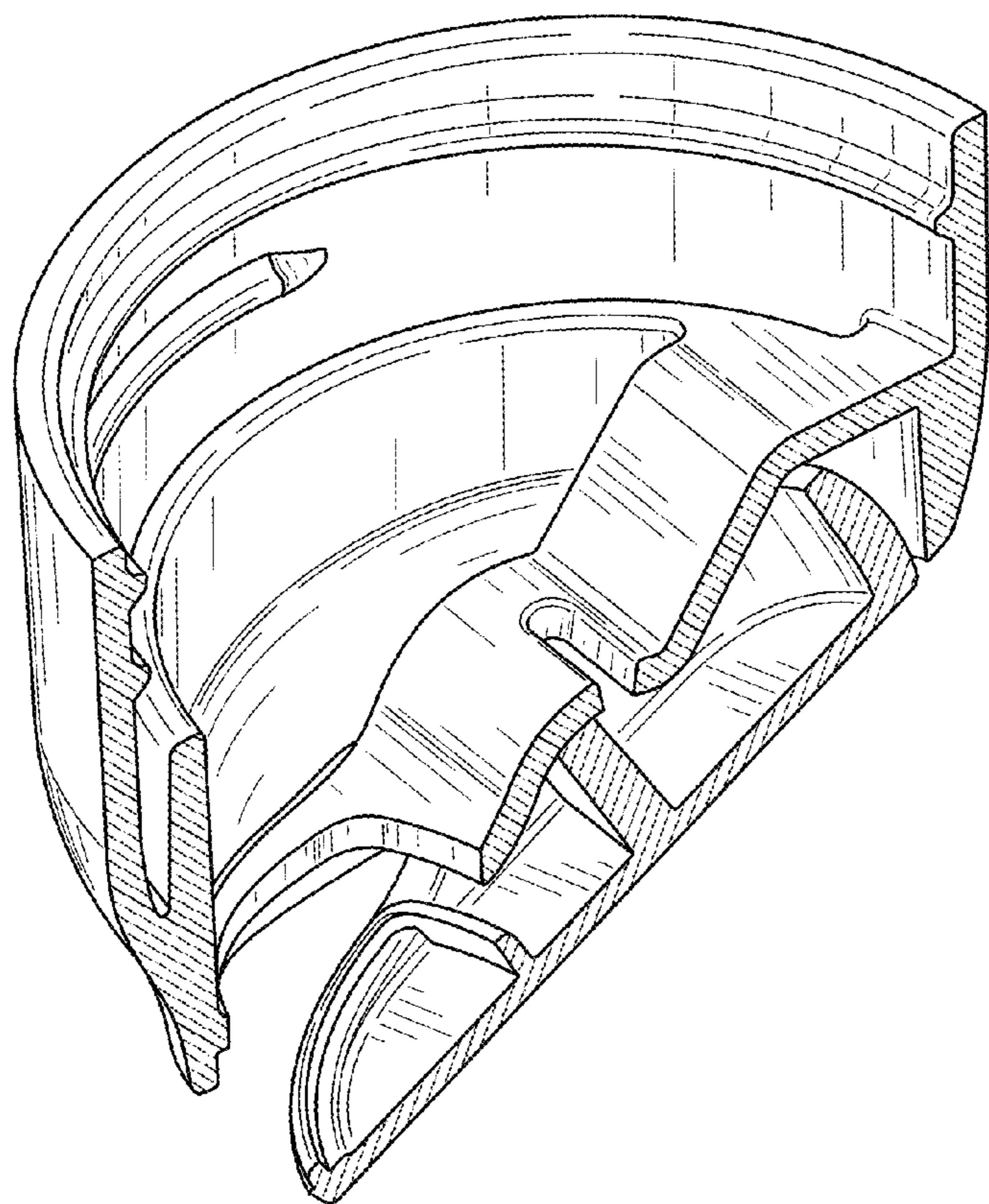


FIG. 5

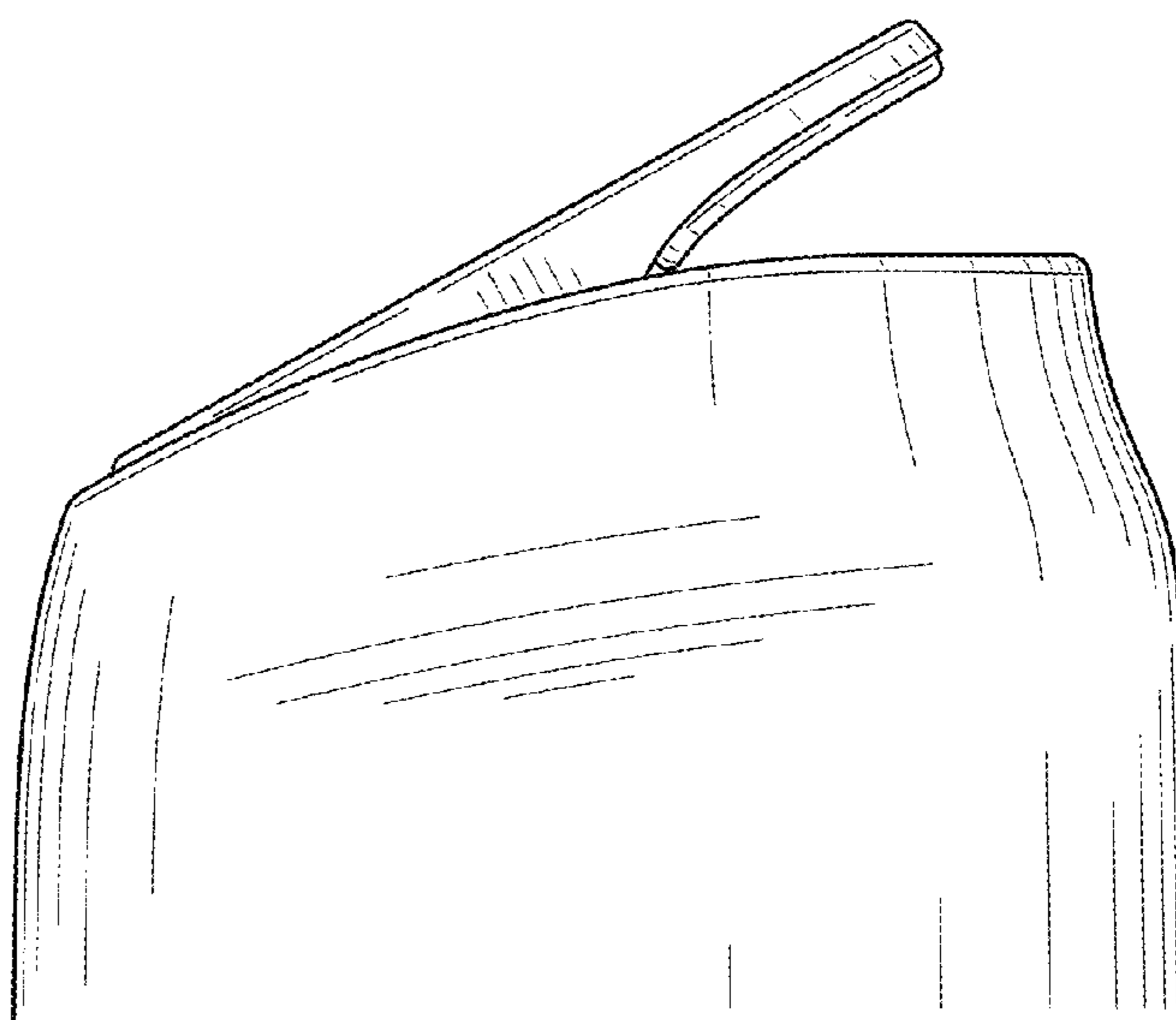


FIG. 6

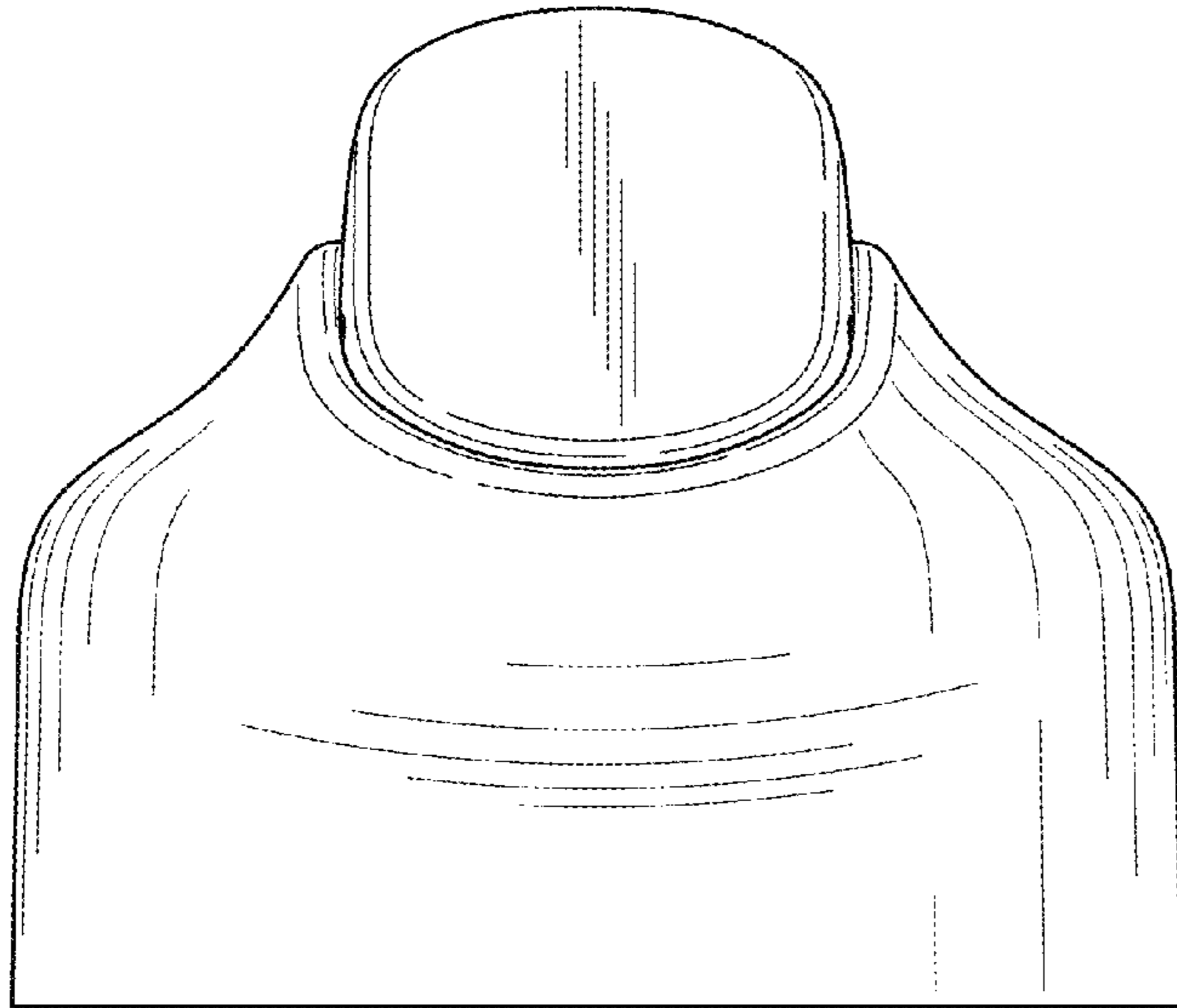


FIG. 7

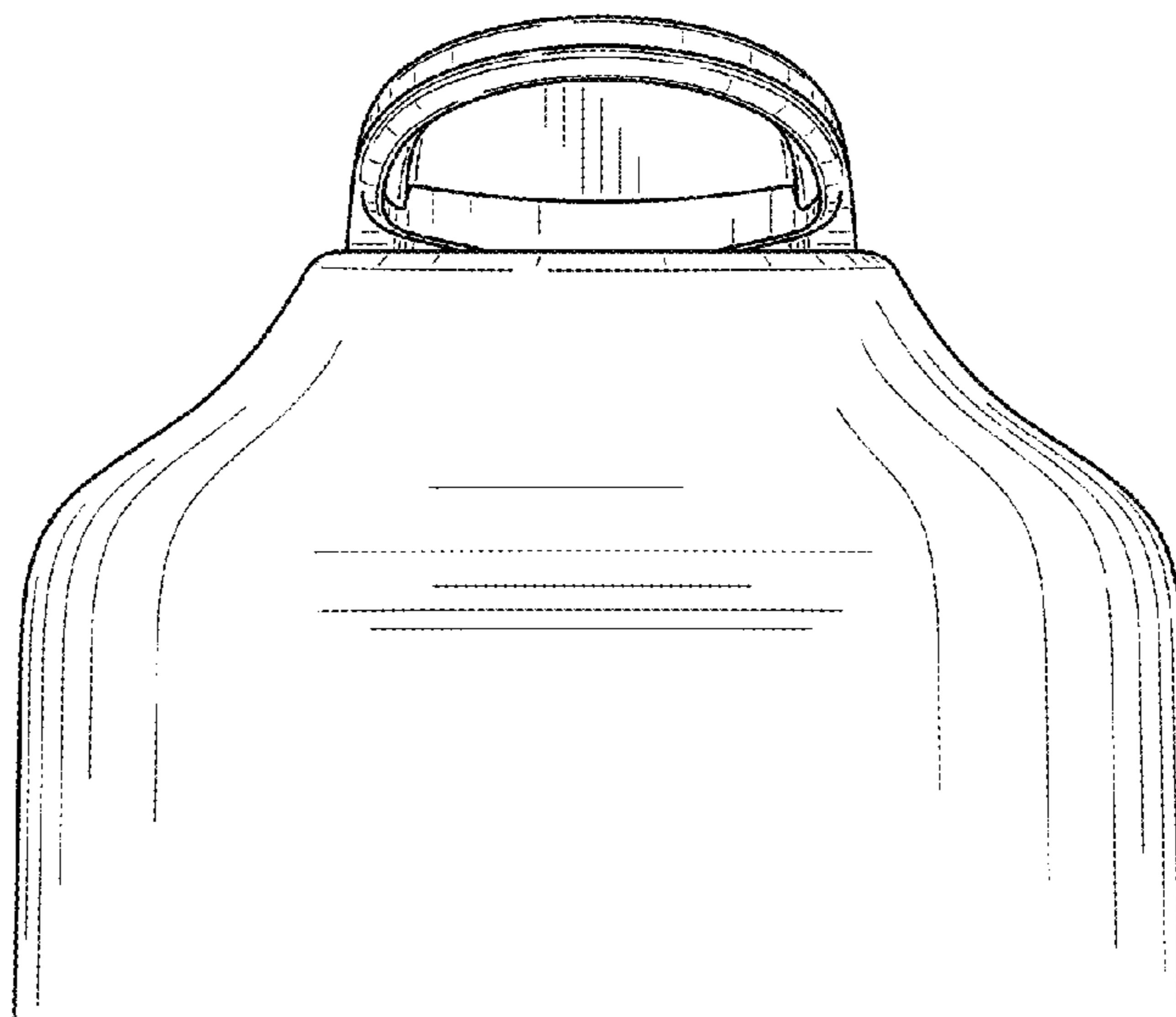


FIG. 8

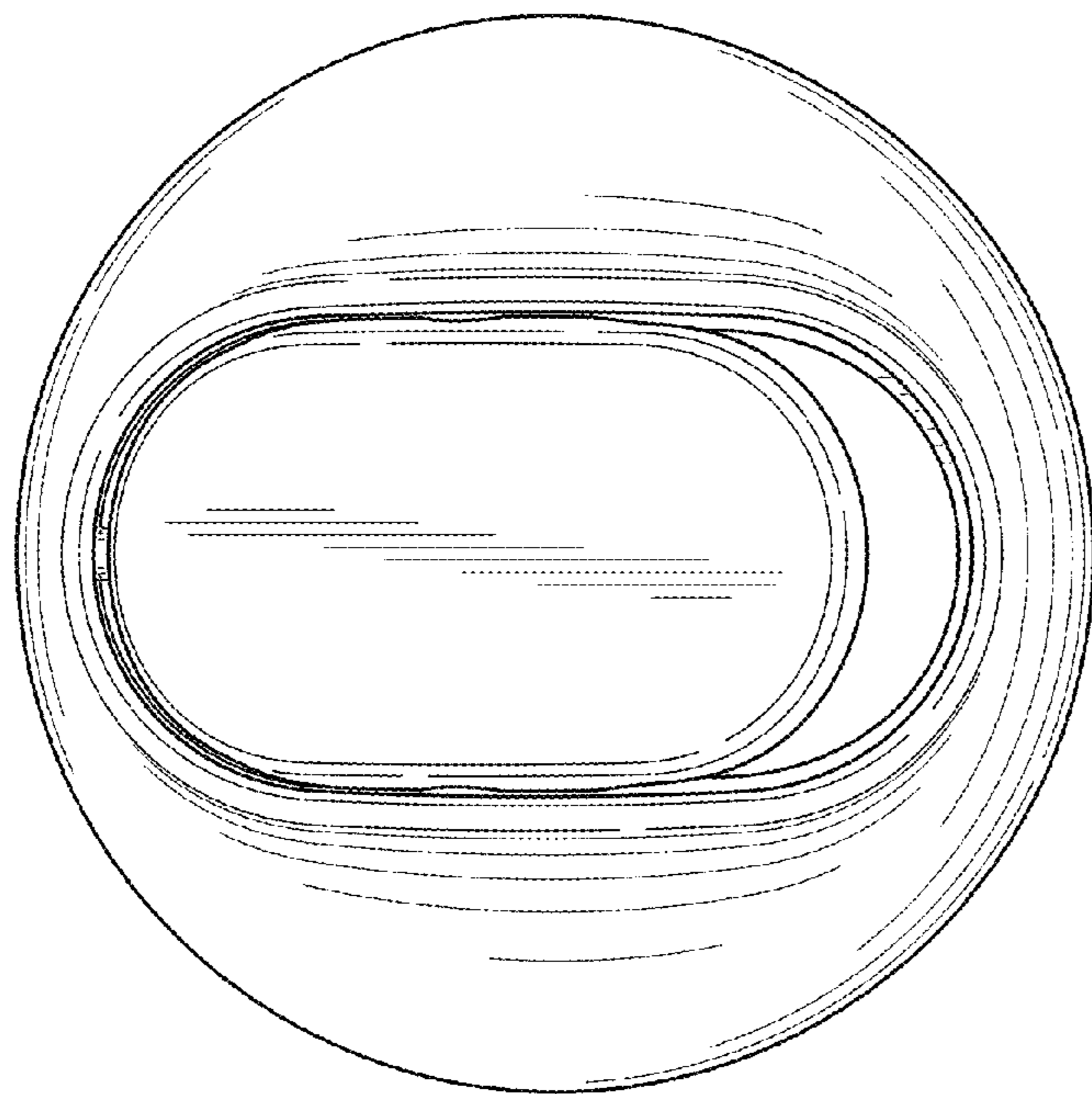


FIG. 9

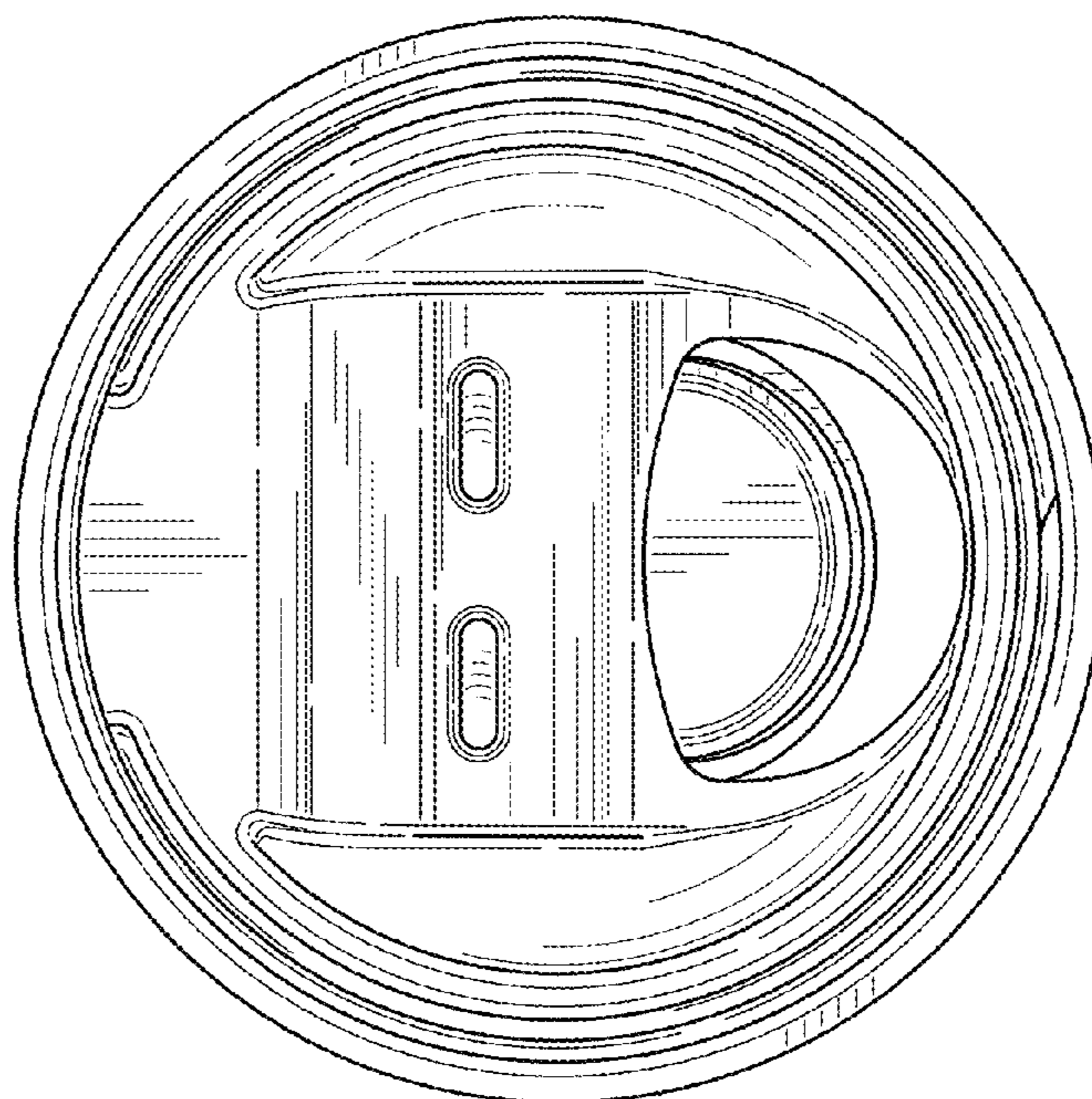


FIG. 10

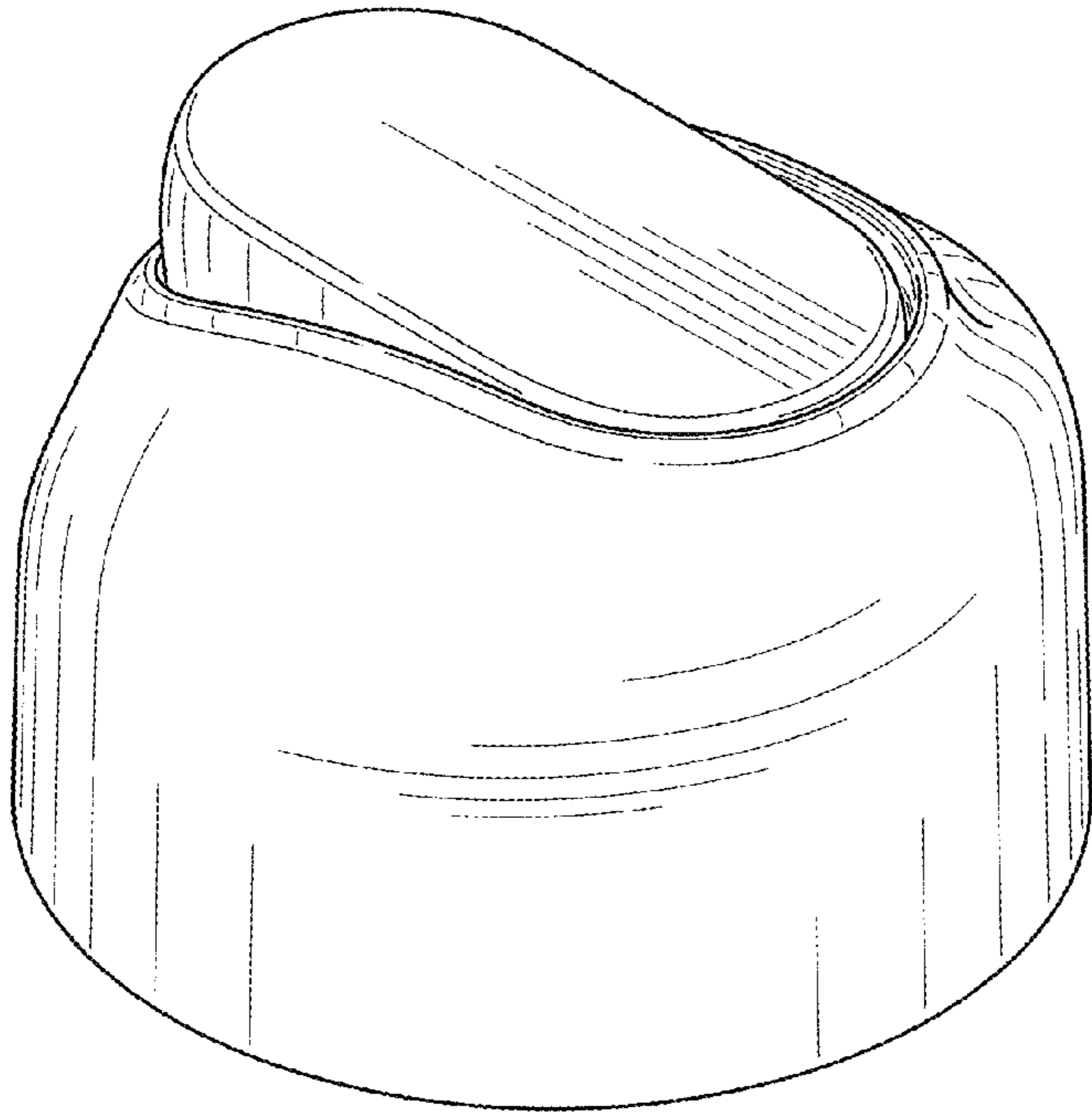


FIG. 11

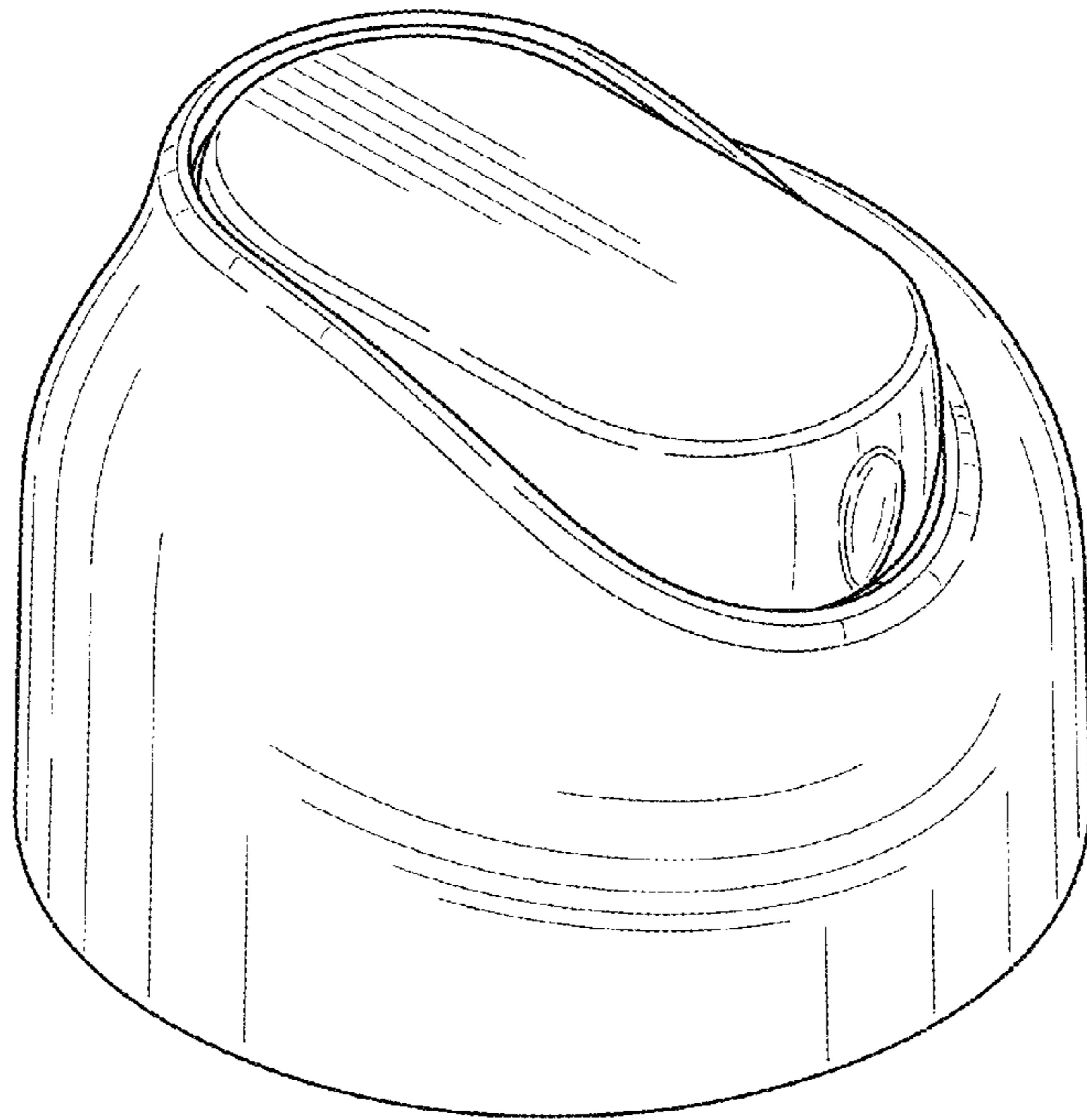


FIG. 12



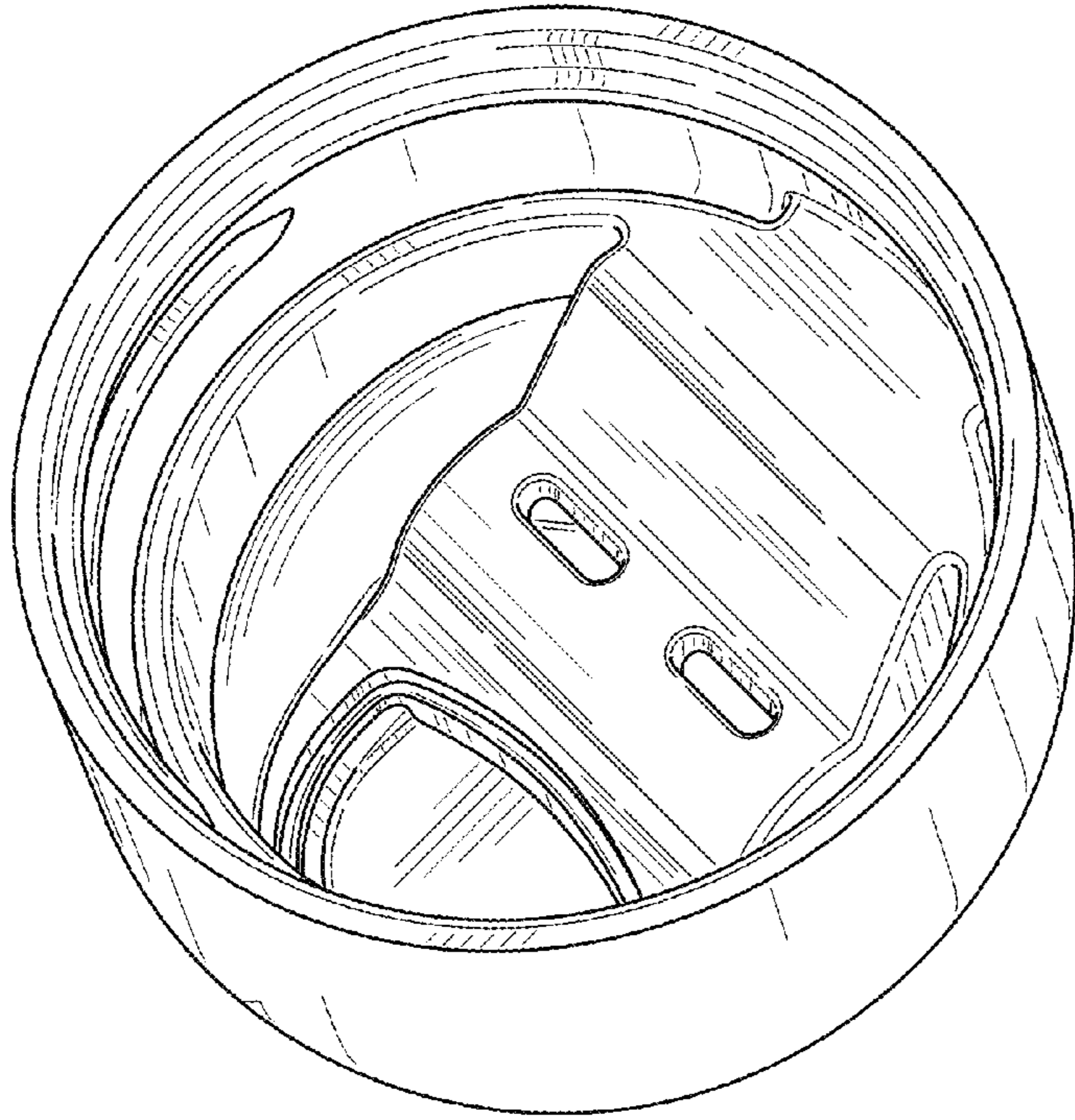


FIG. 13

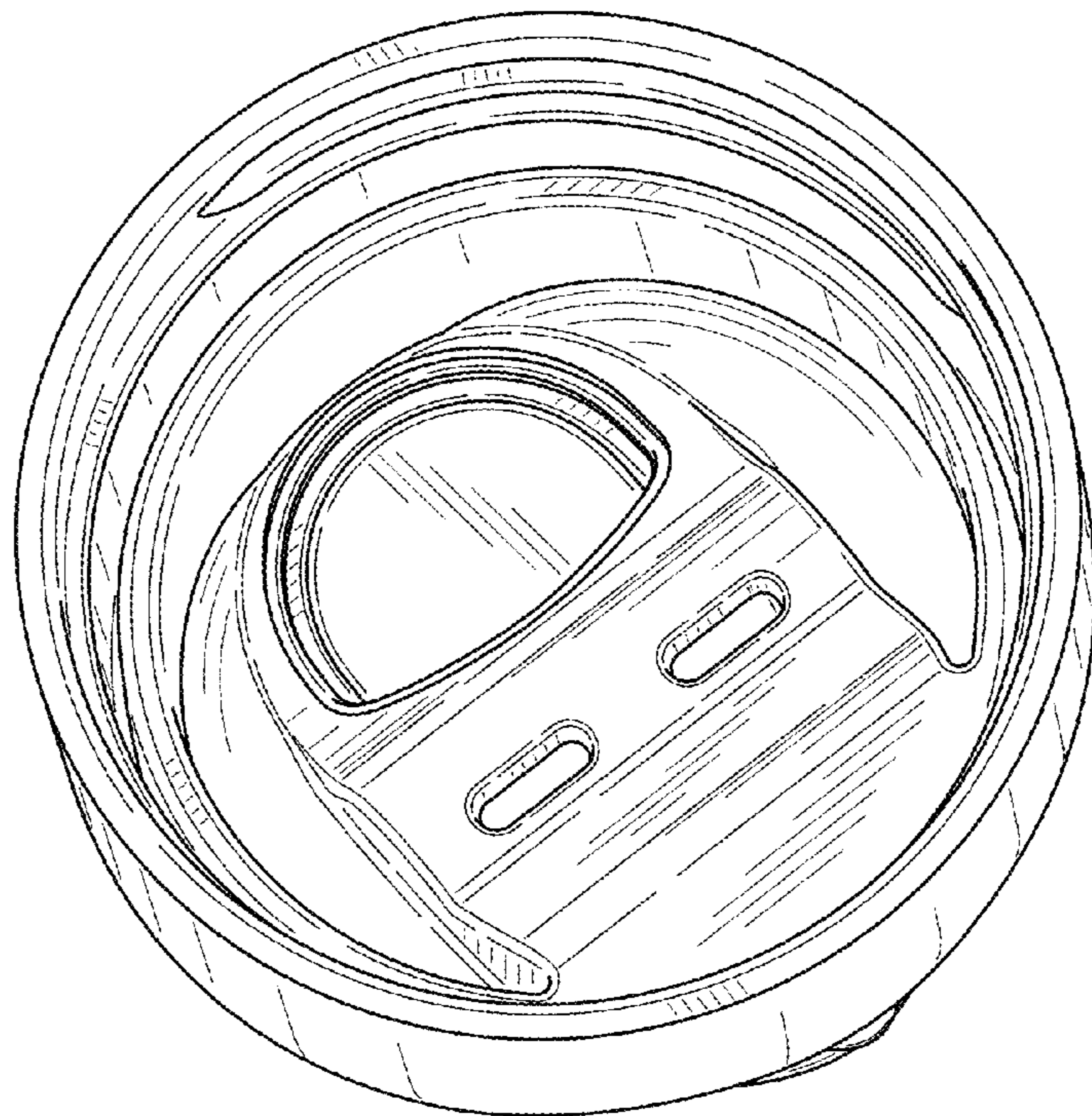


FIG. 14

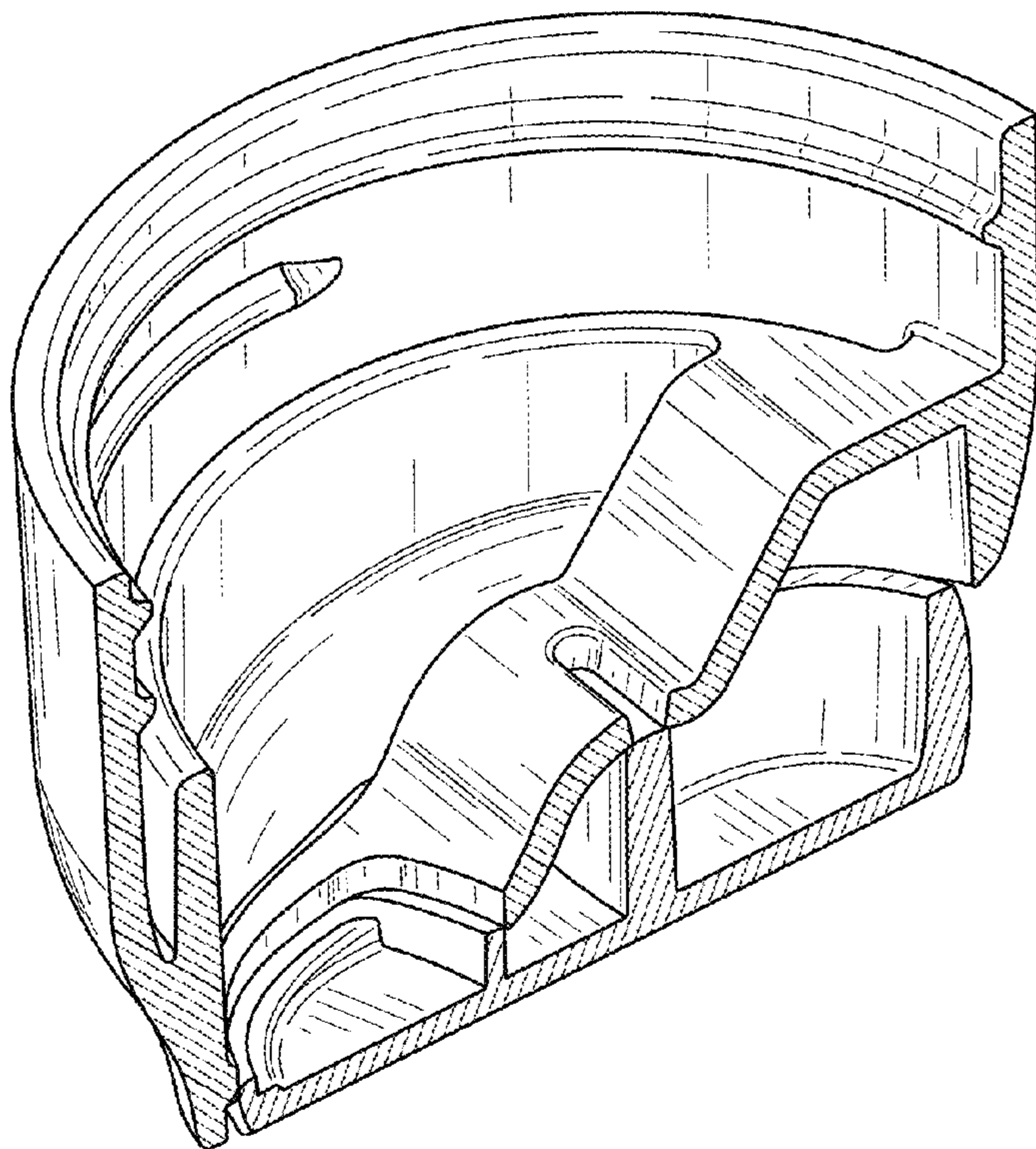


FIG. 15

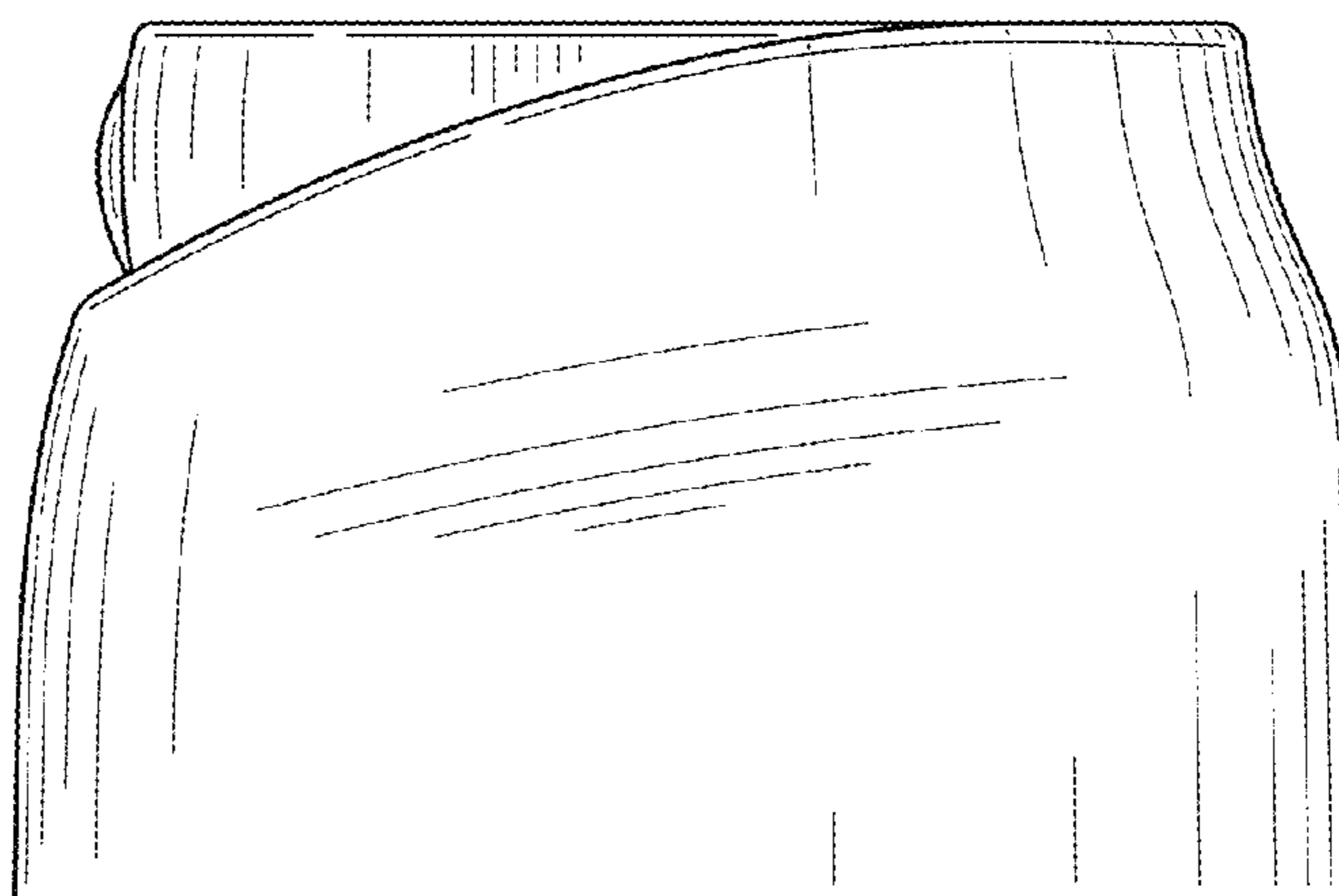


FIG. 16

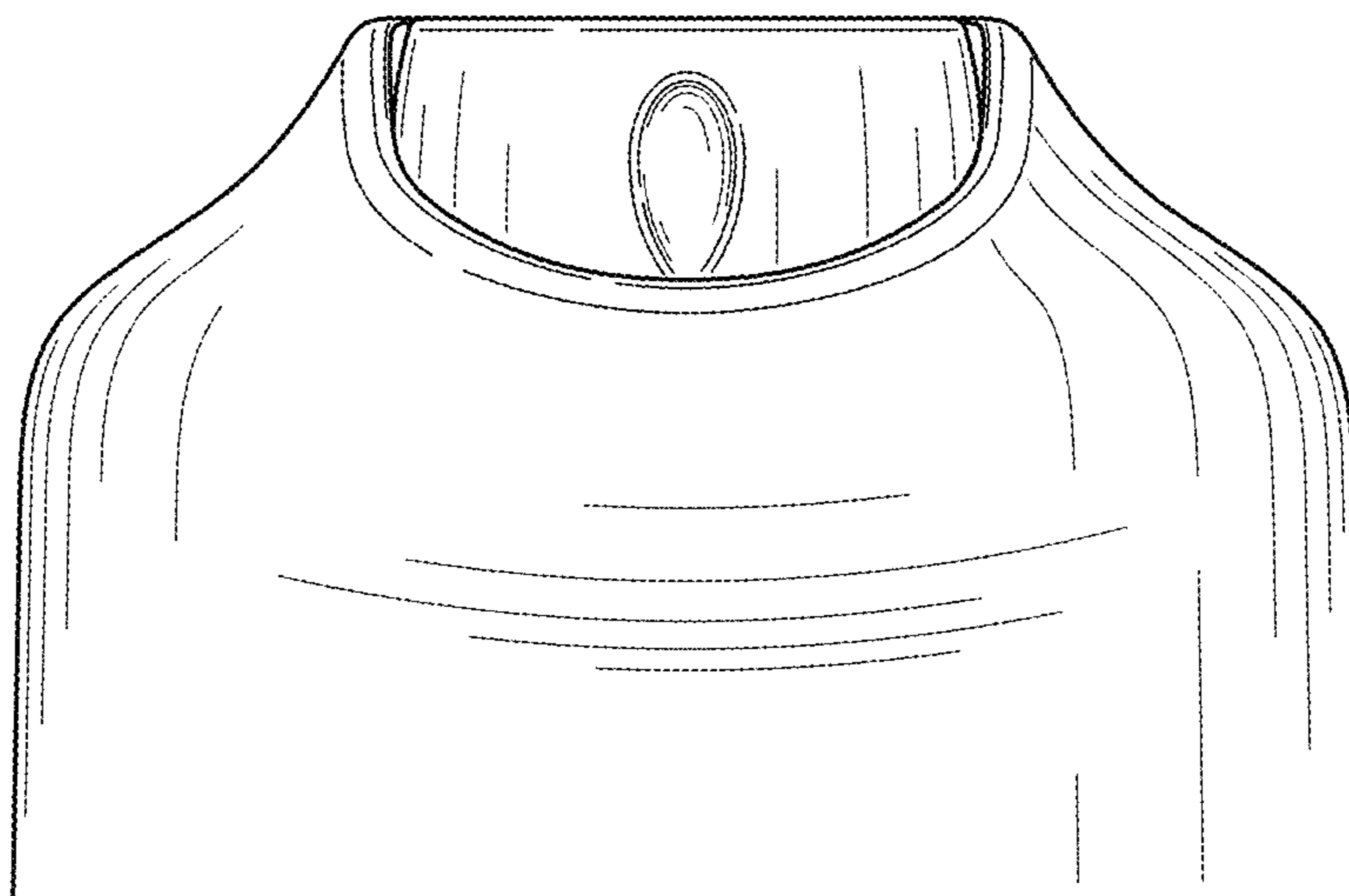


FIG. 17

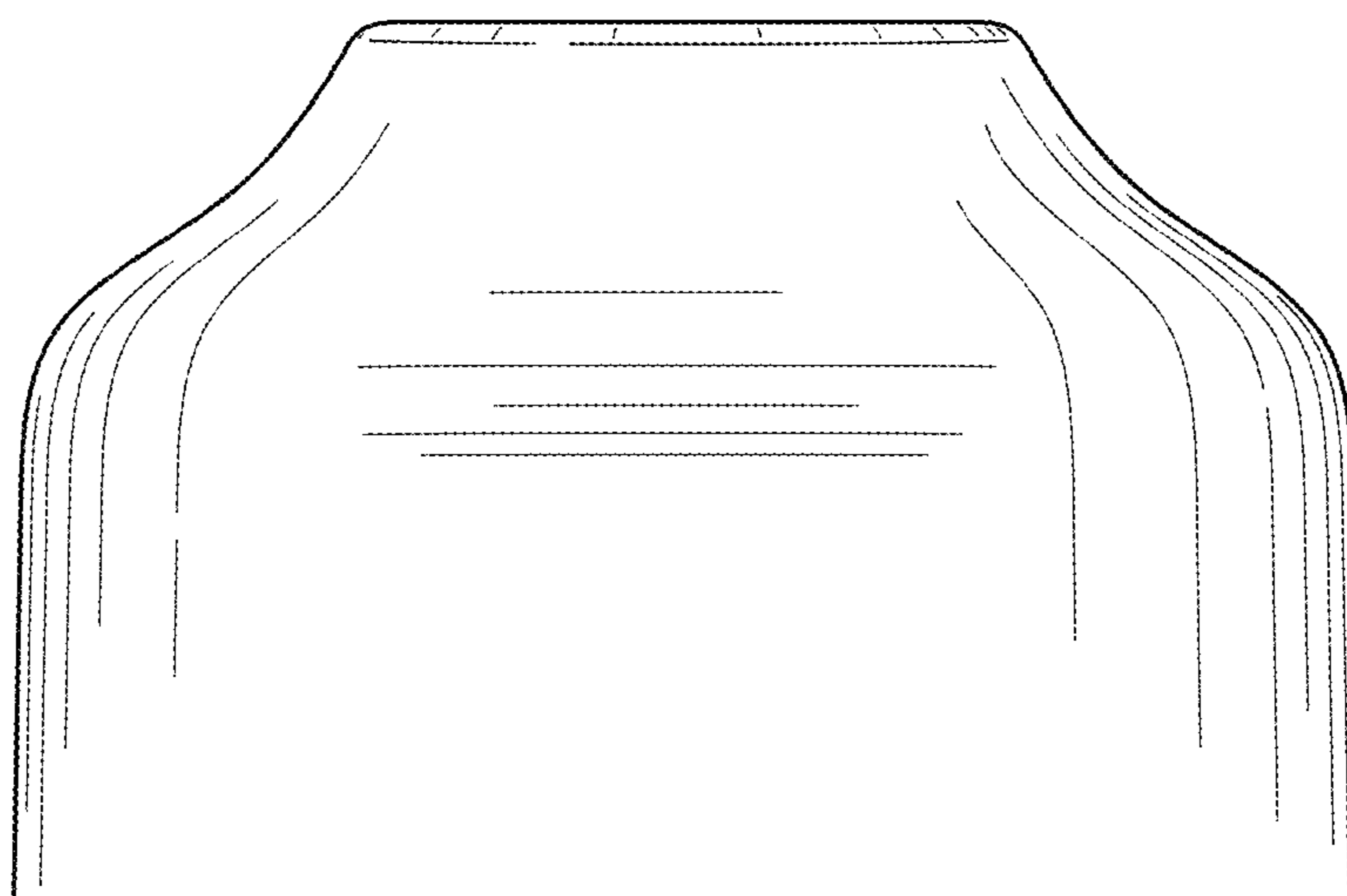


FIG. 18

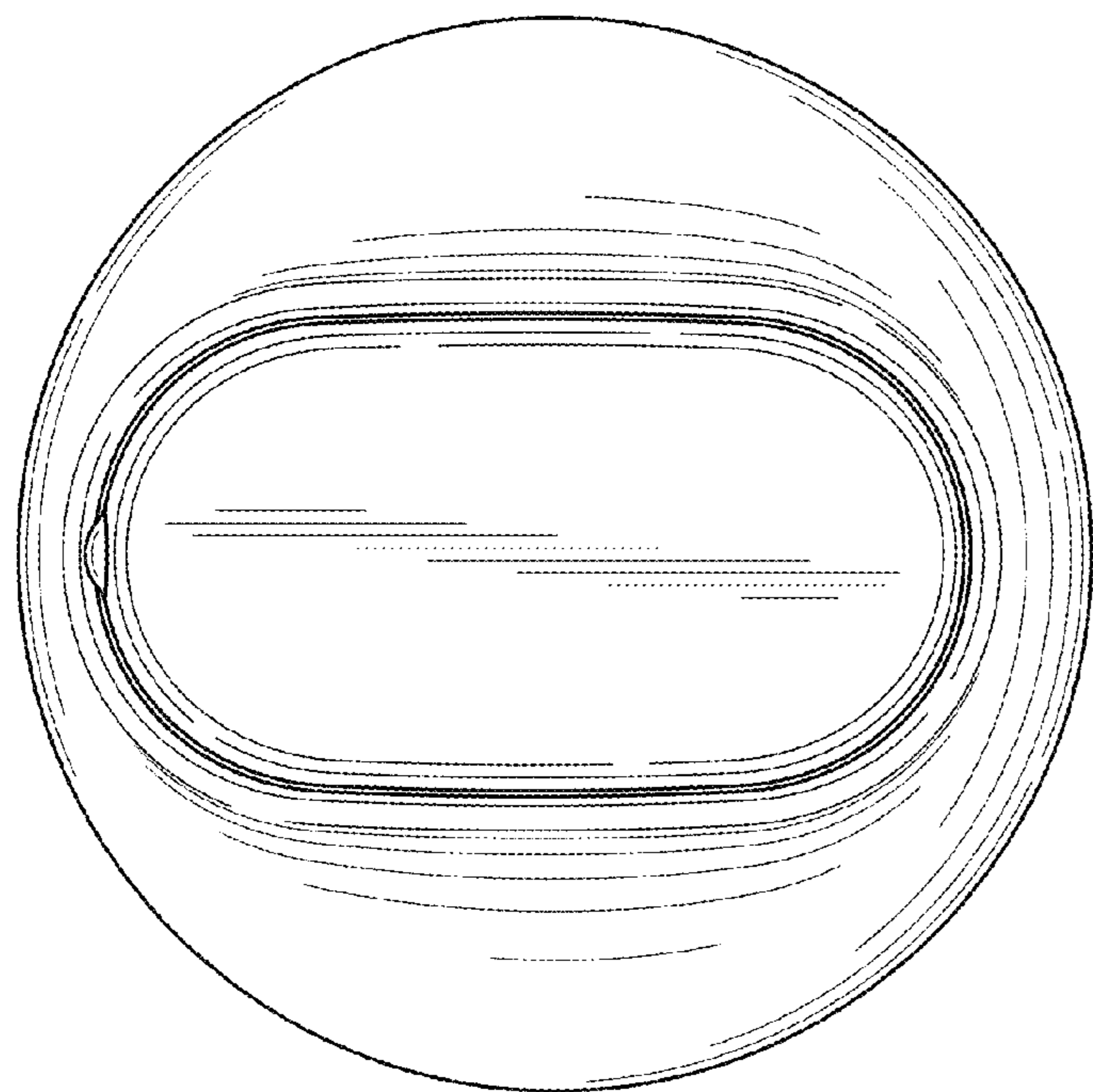


FIG. 19

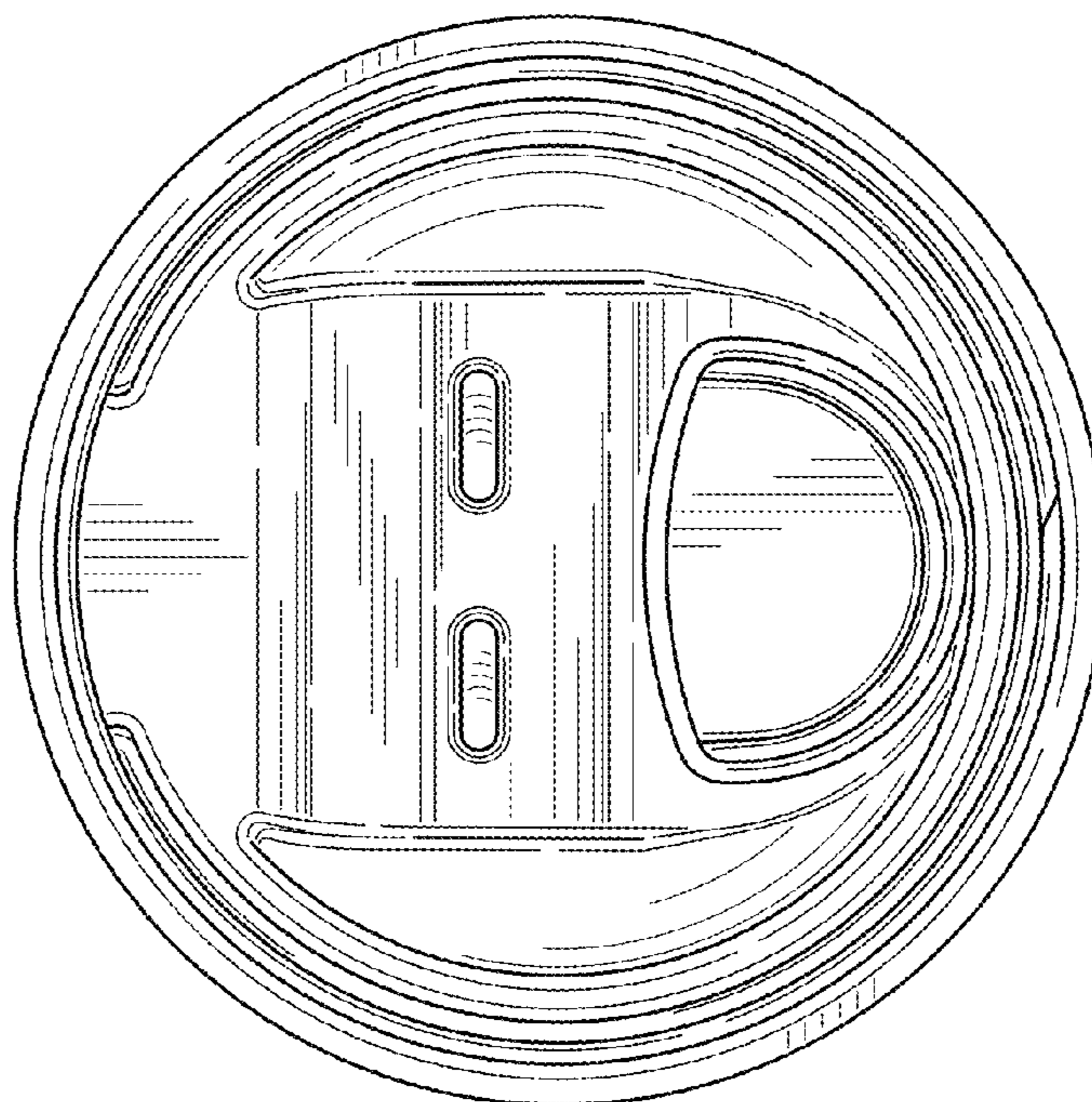


FIG. 20