



US00D747647S

(12) **United States Design Patent**
Lee et al.

(10) **Patent No.:** **US D747,647 S**
(45) **Date of Patent:** **** Jan. 19, 2016**

(54) **PACKAGING BOX**

(71) Applicant: **Samsung Electronics Co., Ltd.**,
Suwon-si (KR)
(72) Inventors: **Eun Ae Shally Lee**, Seoul (KR); **Ji-Hee Kwak**, Seoul (KR); **Il-Kyoung Kim**,
Suwon-si (KR); **Da-Hee Heo**, Yongin-si
(KR)

(73) Assignee: **Samsung Electronics Co., Ltd.**,
Suwon-si (KR)

(**) Term: **14 Years**

(21) Appl. No.: **29/472,667**

(22) Filed: **Nov. 14, 2013**

(30) **Foreign Application Priority Data**

May 15, 2013 (KR) 30-2013-0025616

(51) **LOC (10) Cl.** **09-03**

(52) **U.S. Cl.**
USPC **D9/426; D9/434**

(58) **Field of Classification Search**
USPC D9/414-419, 420-426, 429-435, 516,
D9/721, 727, 730, 734; D3/201, 203.1,
D3/203.3, 273, 294, 315, 318, 901, 903;
D7/538, 541, 542, 555, 566, 601, 602,
D7/629, 630; D28/73, 78, 83; 206/38, 235,
206/236, 265, 701, 703, 713, 717, 722, 723,
206/823; 220/4.21, 4.22, 4.23, 4.24, 4.25,
220/4.26, 4.27, 477; D24/121
CPC ... Y10S 220/26; Y10S 206/82; B65D 43/162;
B65D 2543/00296; B65D 2543/00731; B65D
2543/0062; B65D 2543/00194; B65D 11/188;
B65D 2543/00842; B65D 2543/00555; B65D
11/02; B65D 2543/00694; B65D 2543/00805;
B65D 25/04; B65D 21/0219; B65D
2251/1025; B65D 2251/105; B65D
2543/00101; B65D 1/36; B65D 81/113;
B65D 85/00; B65D 81/3205

See application file for complete search history.

(56) **References Cited**

U.S. PATENT DOCUMENTS

D137,032 S * 1/1944 Stertz D28/82
2,429,495 A * 10/1947 Stupell A24F 15/12
206/265
D233,526 S * 11/1974 Lowenthal D27/160
D295,376 S * 4/1988 Rogler D9/434
D313,816 S * 1/1991 Evans D19/75
5,145,064 A * 9/1992 Chen B25H 3/023
206/372
D338,727 S * 8/1993 Rand D13/168
D373,954 S * 9/1996 Wolff D3/302
D374,988 S * 10/1996 Hillinger D3/273
D406,233 S * 3/1999 Kaplan D9/423
D407,556 S * 4/1999 Au D3/265
D430,901 S * 9/2000 Palmer D20/10
6,525,268 B1 * 2/2003 Sellers A47C 31/008
174/561
D471,360 S * 3/2003 Huang D3/282

(Continued)

Primary Examiner — Derrick Holland

Assistant Examiner — Lauren Calve

(74) *Attorney, Agent, or Firm* — NSIP Law

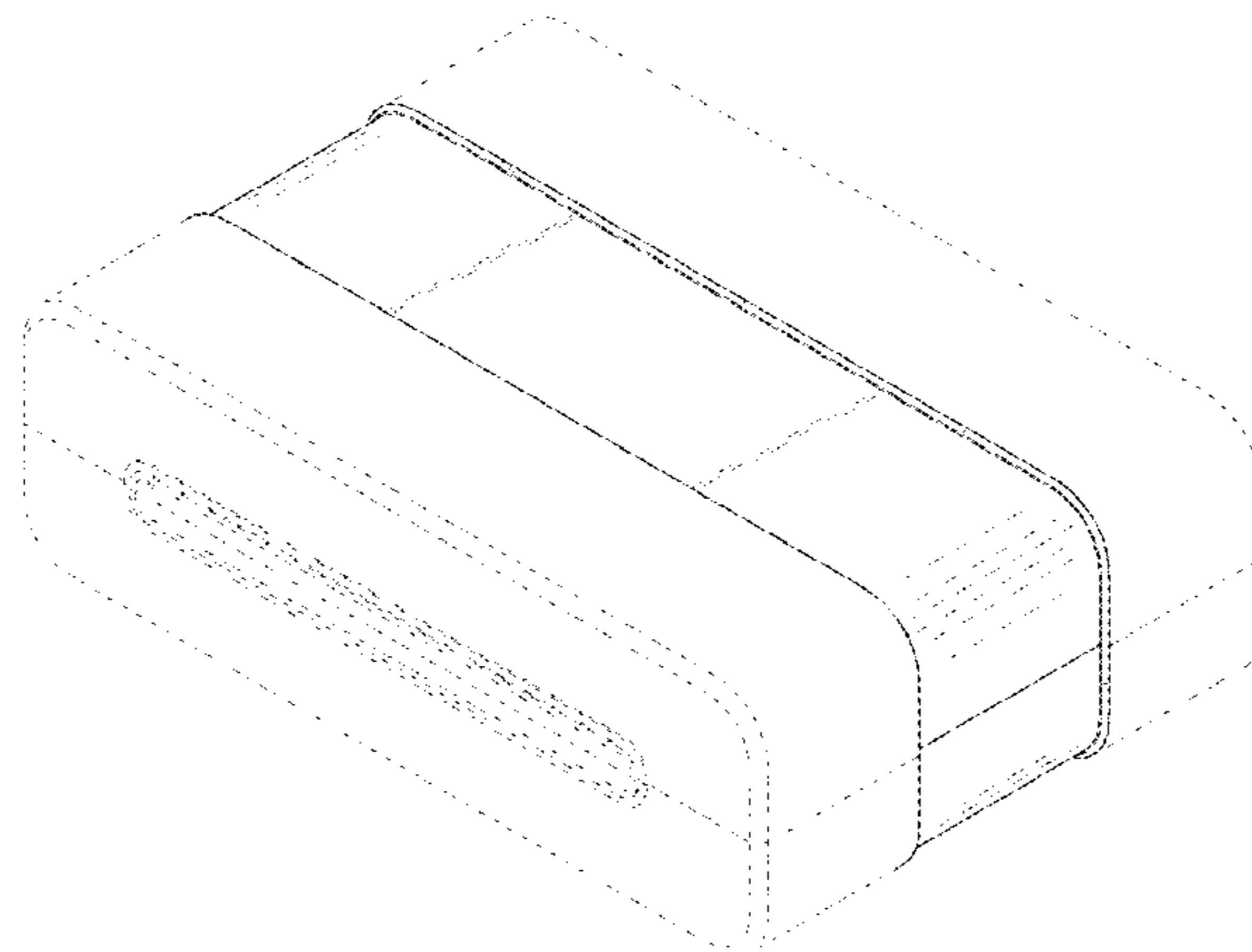
(57) **CLAIM**

The ornamental design for a packaging box, as shown and described.

DESCRIPTION

FIG. 1 is a front perspective view of a packaging box showing our new design;
FIG. 2 is a front view thereof;
FIG. 3 is a rear view thereof;
FIG. 4 is a left-side view thereof;
FIG. 5 is a right-side view thereof;
FIG. 6 is a top view thereof;
FIG. 7 is a bottom view thereof; and,
FIG. 8 is an exploded perspective view thereof.
The broken lines shown represent unclaimed subject matter and form no part of the claimed design.

1 Claim, 5 Drawing Sheets



(56)

References Cited

U.S. PATENT DOCUMENTS

D543,453 S * 5/2007 Fu D21/392
D585,733 S * 2/2009 Feibelman D9/418
D591,598 S * 5/2009 Caroan D9/516
D629,202 S * 12/2010 Wai D3/201
D650,271 S * 12/2011 Cluett D9/432

8,220,652 B2 * 7/2012 Pincek H05K 7/1421
206/701
D676,655 S * 2/2013 Lin D3/294
D687,708 S * 8/2013 Baker D9/434
D717,166 S * 11/2014 Lee D9/424
D726,532 S * 4/2015 Lee D9/426
D734,147 S * 7/2015 Kwak D9/425

* cited by examiner

FIG.1

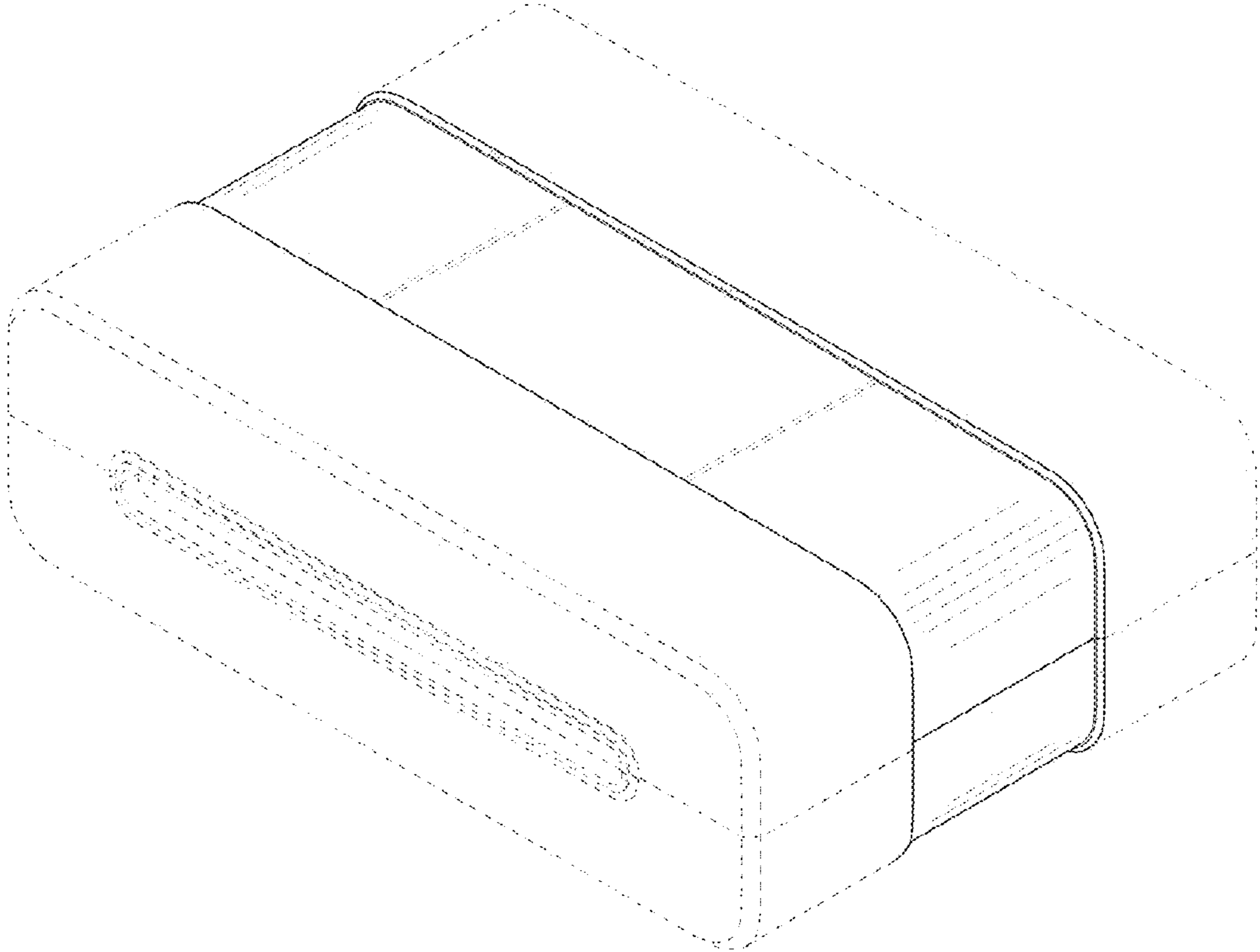


FIG.2

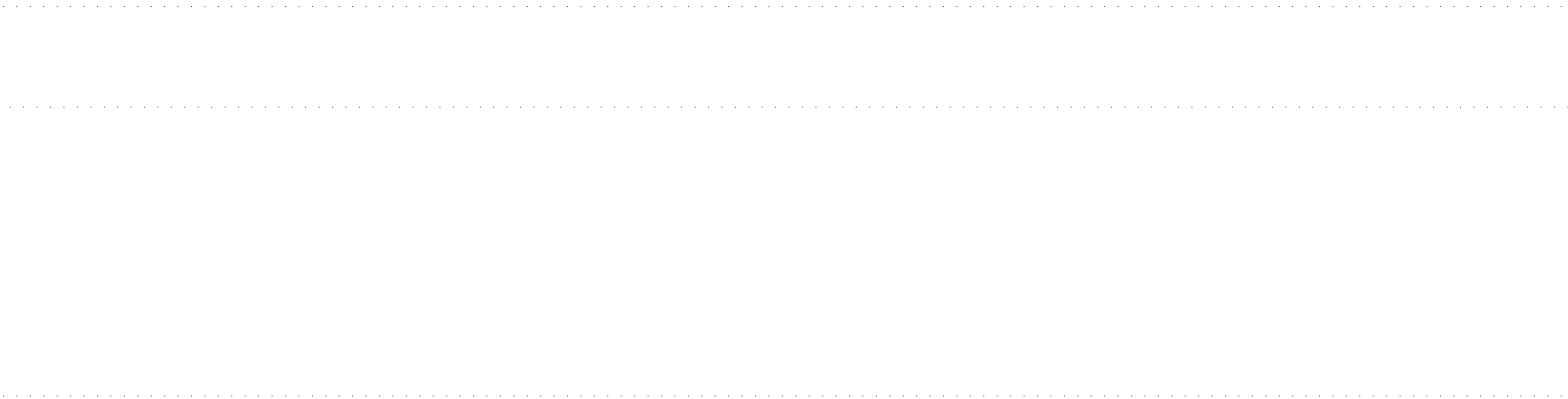
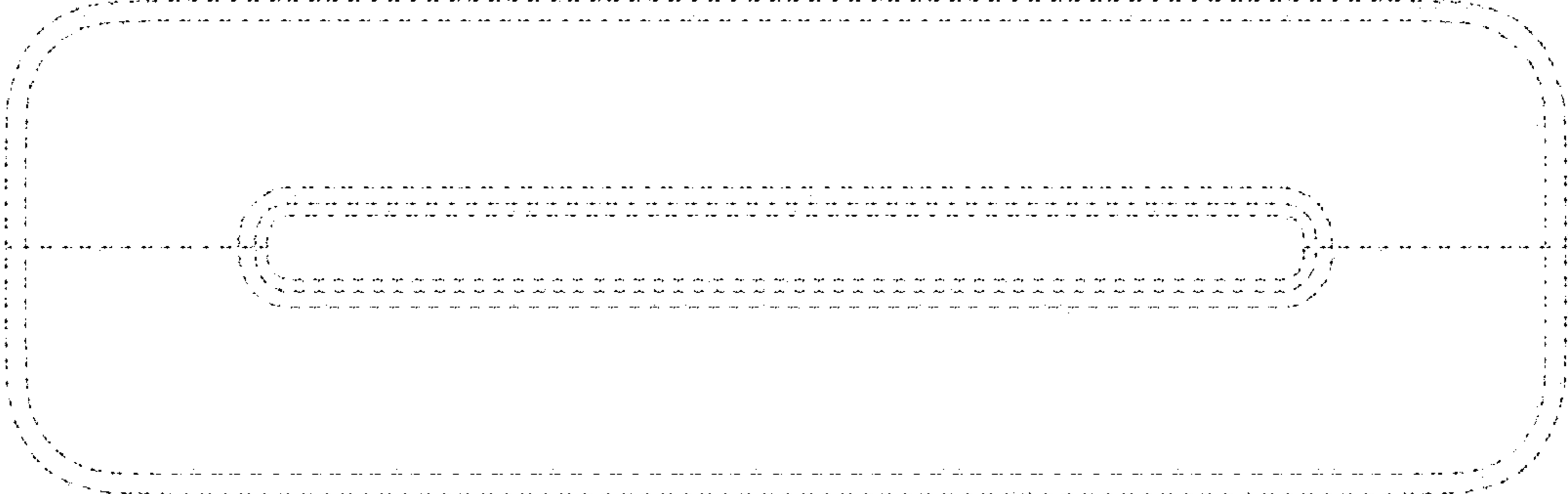


FIG.3



FIG.4

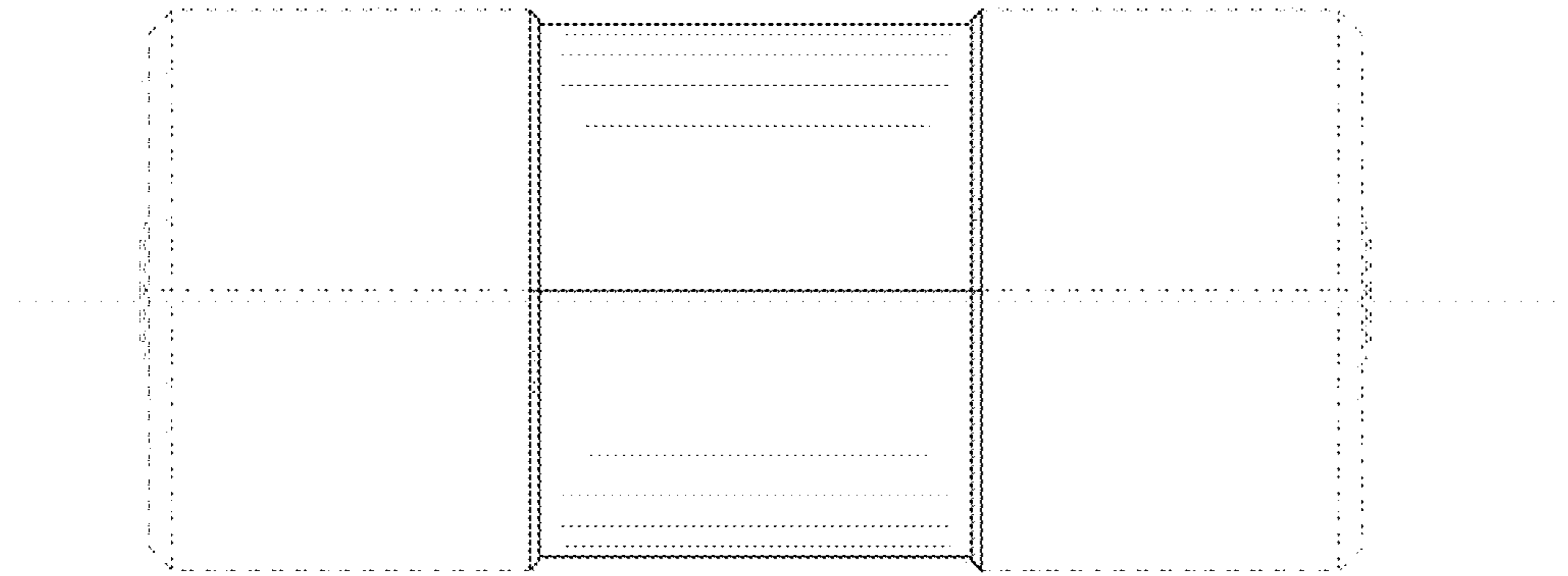


FIG.5

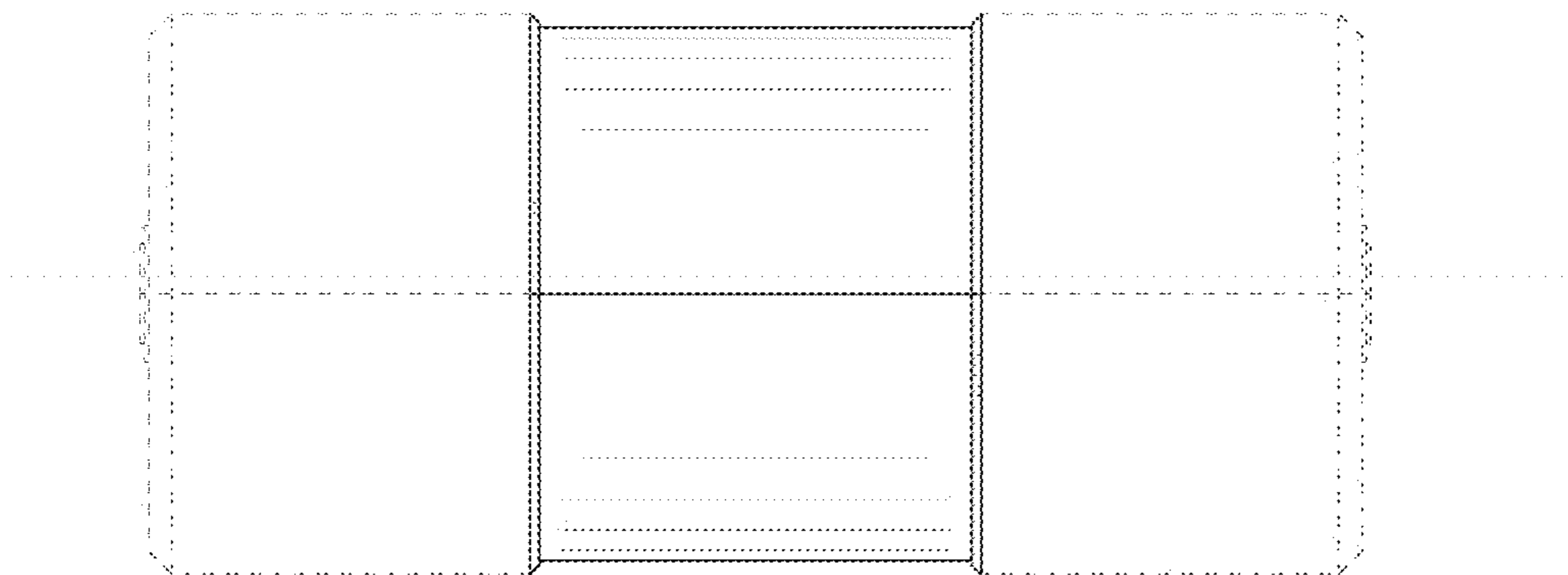


FIG.6

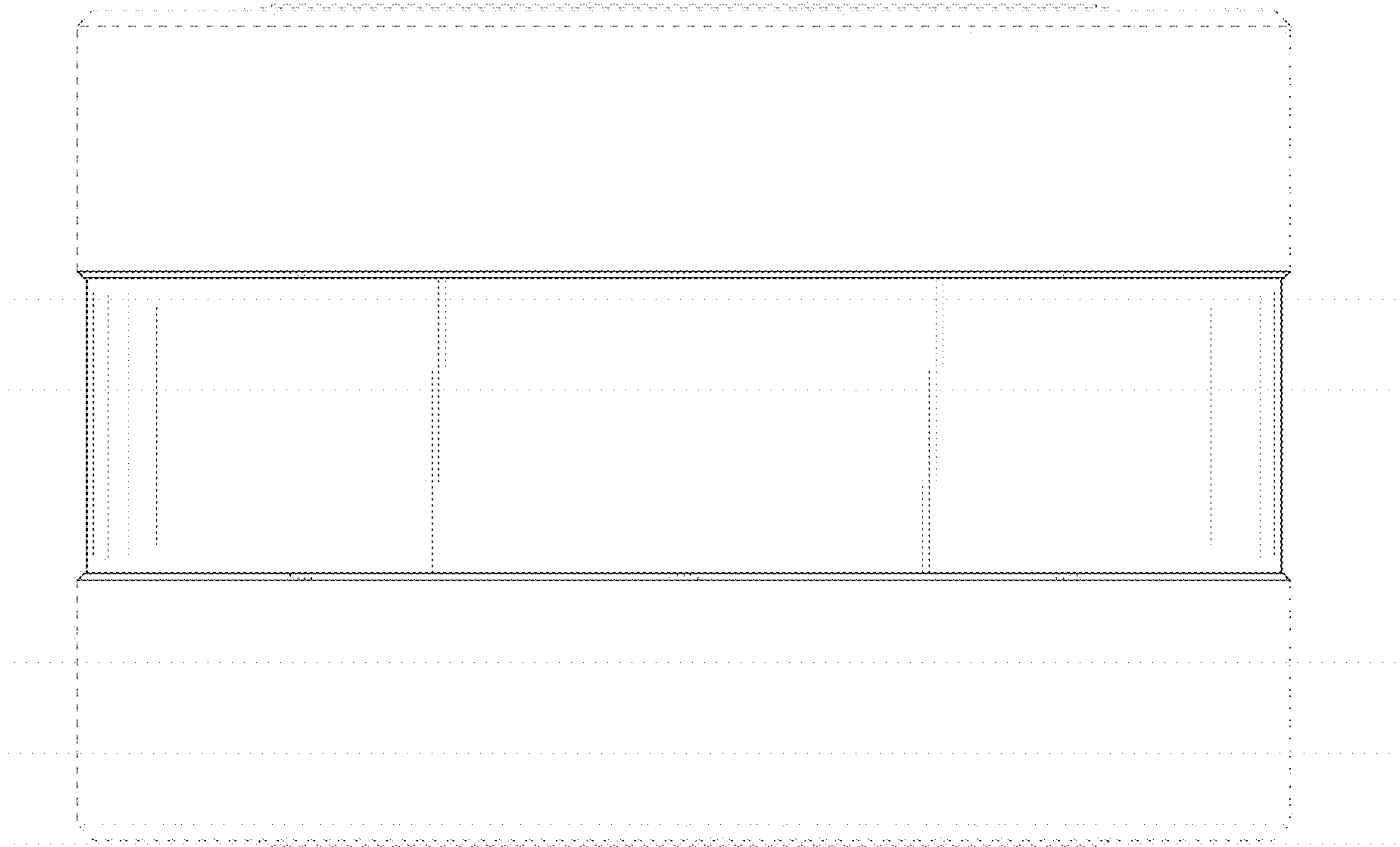


FIG.7

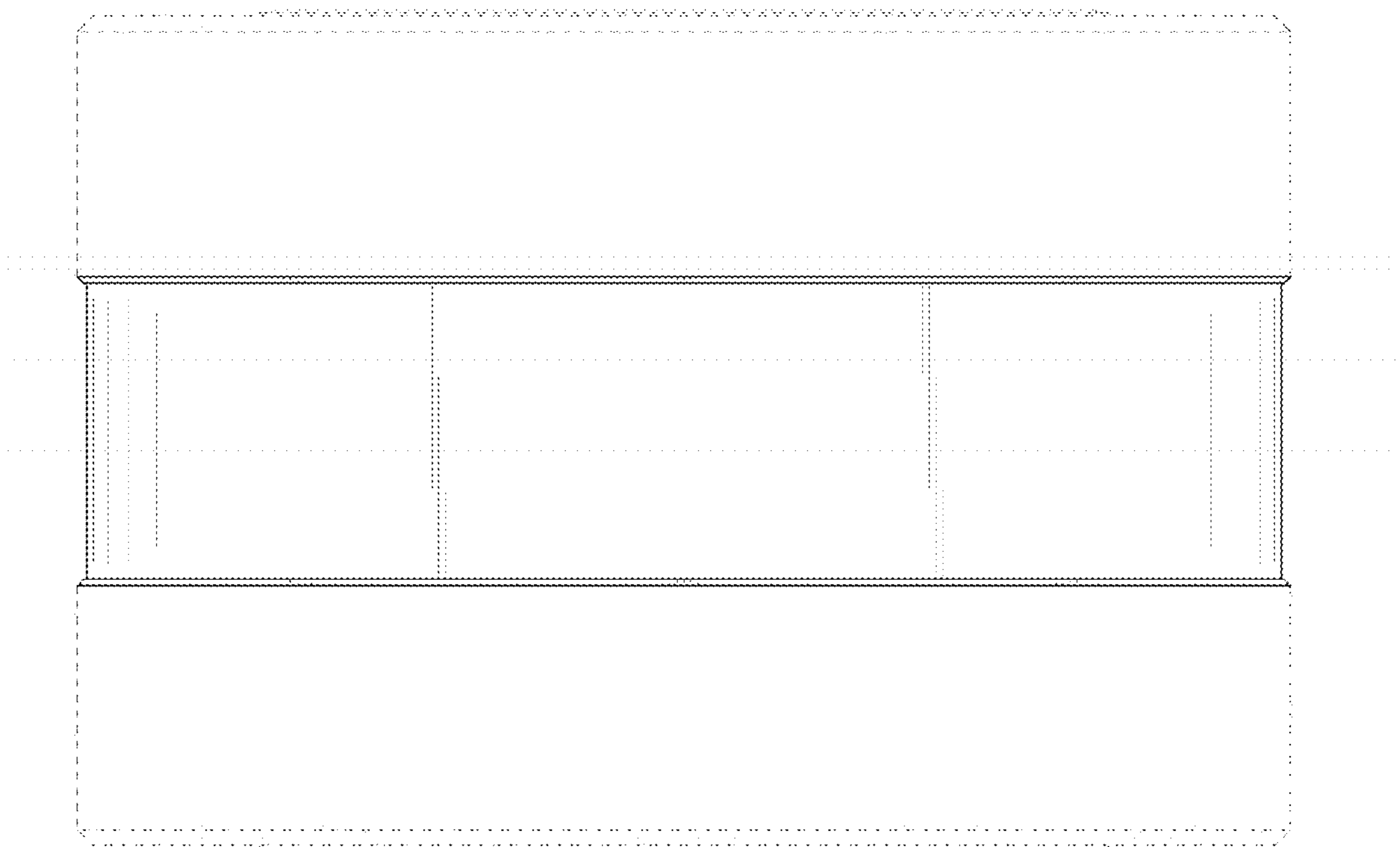


FIG.8

